

**Frames Catalogue**

HELIO K FRAME ASSEMBLY	1
------------------------	---

**Front Wheels Catalogue**

FRONT CASTER WHEELS	8
FORKS	9
CASTER LOCK PIN	10
HARDWARE	14
V2 ANTI-FLUTTER CASTER HOUSING	15

**Footrests Catalogue**

FOOTPLATES	19
ROLLER BUMPER	32
FOOTRESTS - SWING-IN, SWING-OUT	34
CALF STRAPS	51
BODYPOINT AEROMESH CALF SUPPORTS	55
PIVOT EXTENSION KIT	56
ONE PIECE FOOTPLATES	58
FLIP-UP ONE PIECE FOOTPLATE STRUCTURE	59
ELEVATING LEGRESTS - SWING-IN, SWING-OUT	62
CALF PAD - COMPLETE ASSEMBLY	65
RESIDUAL LIMB SUPPORT - SWING-IN, SWING-OUT	68
FRONT MOUNT FOOTPLATES	73
FRONT MOUNT FOOTRESTS	80
HIGH MOUNT, EXTENSION WITH CLAMPS	88

**Backrests Catalogue**

ALUMINUM BACK CANES	90
CARBON BACK CANES	93
ALUMINIUM DEPTH ADJUSTABLE BACK CANES	100
BACK CANE HARDWARE (CARBON FRAME)	104
BACK CANE HARDWARE (L TYPE ARMREST)	110
BACK CANE HARDWARE (DEPTH ADJ. BACK CANE)	113
PUSH HANDLES & STRAIGHT EXTENSION	116
INTEGRATED PUSH HANDLE BACK CANES	120
NEWTON FOLDING STABILIZER BAR	124
STROLLER HANDLES	126
HEAD RESTS	128
PUSH HANDLES FOR HEAD RESTS	131

**Upholsteries & Seatings Catalogue**

BACK UPHOLSTERY - SLIP ON & TENSION BACK	136
SLIDING SEAT SLINGS TYPE 2	139
CUSHIONS	141

**Rear Wheels Catalogue**

REAR WHEELS & SPOKES	144
SPINERGY REAR WHEELS	145
SPINERGY CLX BLADE REAR WHEELS	146
TIRES	147
HANDRIMS	148



SURGE AND NATURAL FIT HANDRIMS	149
OBLIQUE PROJECTION HANDRIMS	150
NEWTON AIR GRIP HANDRIMS	151
BBRAVER HANDRIMS	152
HANDRIM HARDWARE	153
FLAT FREE INSERTS	155
SPOKE GUARDS	156
REAR WHEELS + TIRES	158
QUICK RELEASE & PERMANENT AXLE	162
MULTI-POSITION MOUNTING PLATE V2B	165
AMPUTEE ADJUSTABLE AXLE PLATE FOR MULTI-POSITION MOUNTING PLATE V2B	167

**Wheel Locks Catalogue**

WHEEL LOCK - PUSH & PULL	171
WHEEL LOCK - PUSH & PULL WITH EXTENDED RAIL	176
WHEEL LOCK - GRADE AID	181
WHEEL LOCK - GRADE AID WITH EXTENDED RAIL	184
WHEEL LOCK - SCISSOR	187
WHEEL LOCK - CLAMPS	189
FOOTREST STOPPER	191
ATTENDENT WHEEL LOCK KIT	193
ATTENDENT WHEEL LOCK KIT (DEPTH ADJUST. BACK)	195

**Armrests Catalogue**

ARMRESTS	197
ARMRESTS - FLIP BACK RECEIVER	212
ARMRESTS - T TYPE RECEIVER	215
ARMRESTS - SWING AWAY RECEIVER	217

**Sideguards Catalogue**

SIDEGUARDS	219
FENDER SIDEGUARDS	224
REMOVABLE SIDEGUARD & MUDGUARD RECEIVERS	229
SIDEGUARD - CLOTH	231

**Seatbelts Catalogue**

POSITIONING SEATBELTS	232
POSITIONING SEATBELTS - BODYPOINT	235
HIP BELT - BODYPOINT EVOFLEX	237
POSITIONING SEATBELTS - ADDITIONAL HARDWARE (2 COMPOSITES CLAMPS)	239

**Accessories Catalogue**

ANTI-TIPPERS	241
CANE HOLDERS	246
OXYGEN TANK HOLDER	248
FOOTREST NEOPREN IMPACT GUARDS	250
CLOSING STRAPS	251
NEWTON BACKPACK	252
BODYPOINT MOBILITY BAG	253
SEAT POUCH	254
TOOL KIT	255

---

**Color Options Catalogue**

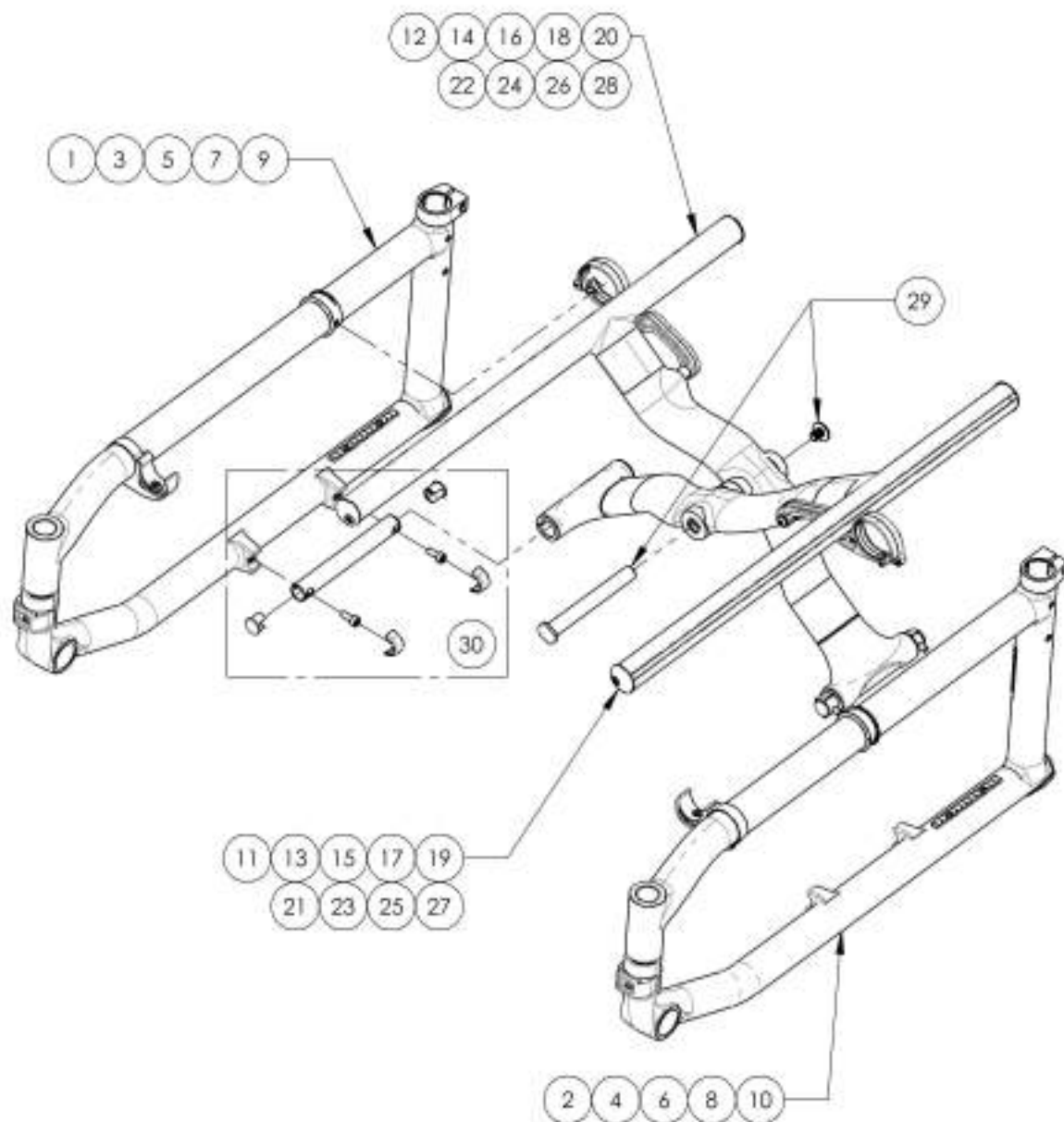
STICKERS - PLATINE & HELIO K	257
COLOR SWATCH (ALL COLORS)	258
COLOR TOUCH-UP	259

---

**Quick Orders Catalogue**

REAR WHEEL ASSEMBLY	260
WHEEL LOCK PAIR ASSEMBLY	262
LINK + HARDWARE	270
REAR BUSHING ASSEMBLY V2B	272
FOOTREST - SWING-IN/OUT + SHORT EXT. & FOOTPLATE	274
FOOTREST - SWING-IN/OUT + LONG EXT. & FOOTPLATE	281
COMPLETE ELEVATING LEGREST, SWING-IN & SWING-OUT + COMPOSITE FOOTPLATE	288
FLIP BACK TYPE 2 COMPLETE ARMREST	291
COMPLETE ARMREST ASSEMBLY TYPE 2 (PAIR)	294
FORK ASSEMBLY	297
STEM BOLT ASSEMBLY	299
CASTER LOCK PIN ASSEMBLY	301

**Frame Catalogue**  
**Helio K Frame Assembly**



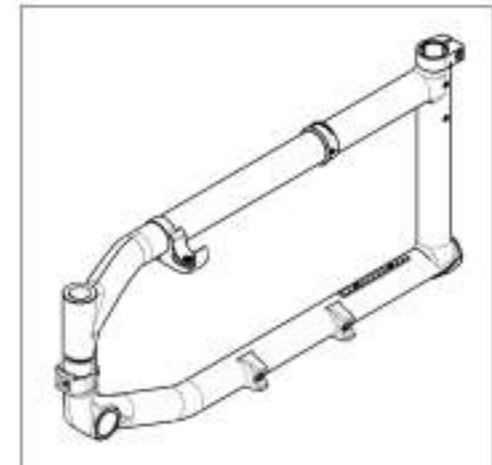
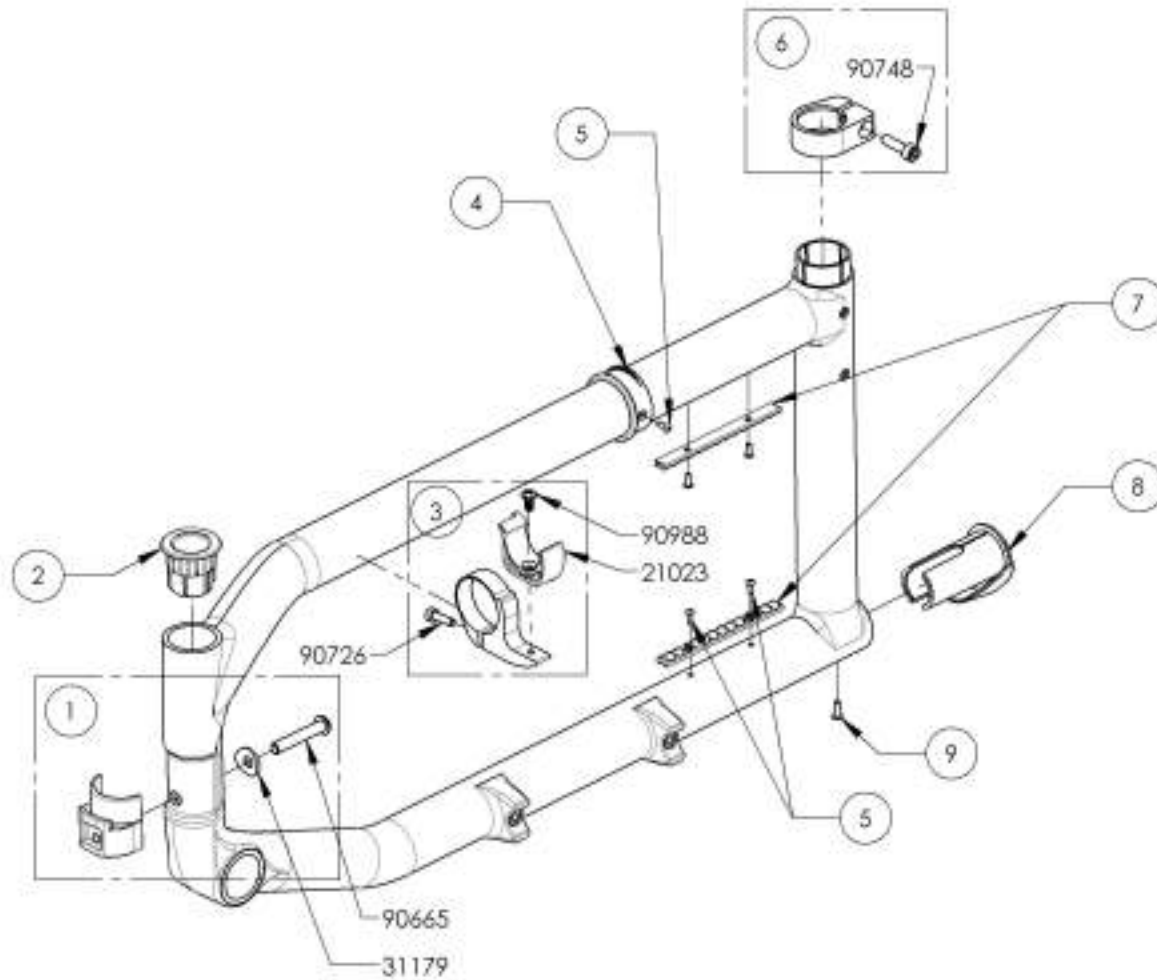
ITEM NO.	PARTNO	DESCRIPTION	QTY.
1	9001007	Frame - Carbon Fiber, Right, 14 in Seat Depth, +2 in (Specify Color)	1
2	9001012	Frame - Carbon Fiber, Left, 14 in Seat Depth, +2 in (Specify Color)	1
3	9001008	Frame - Carbon Fiber, Right, 15 in Seat Depth, +1 in (Specify Color)	1
4	9001013	Frame - Carbon Fiber, Left, 15 in Seat Depth, +1 in (Specify Color)	1
5	9001009	Frame - Carbon Fiber, Right, 16 in Seat Depth, Regular (Specify Color)	1
6	9001014	Frame - Carbon Fiber, Left, 16 in Seat Depth, Regular (Specify Color)	1
7	9001010	Frame - Carbon Fiber, Right, 17 in Seat Depth, Regular (Specify Color)	1
8	9001015	Frame - Carbon Fiber, Left, 17 in Seat Depth, Regular (Specify Color)	1
9	9001011	Frame - Carbon Fiber, Right, 18 in Seat Depth, Regular (Specify Color)	1
10	9001016	Frame - Carbon Fiber, Left, 18 in Seat Depth, Regular (Specify Color)	1
11	9001018	X-Brace - Carbon Fiber, Front, 12 in Width (Specify Seat Depth)	1
12	9001027	X-Brace - Carbon Fiber, Rear, 12 in Width (Specify Seat Depth)	1
13	9001019	X-Brace - Carbon Fiber, Front, 13 in Width (Specify Seat Depth)	1
14	9001028	X-Brace - Carbon Fiber, Rear, 13 in Width (Specify Seat Depth)	1
15	9001020	X-Brace - Carbon Fiber, Front, 14 in Width (Specify Seat Depth)	1
16	9001029	X-Brace - Carbon Fiber, Rear, 14 in Width (Specify Seat Depth)	1
17	9001021	X-Brace - Carbon Fiber, Front, 15 in Width (Specify Seat Depth)	1
18	9001030	X-Brace - Carbon Fiber, Rear, 15 in Width (Specify Seat Depth)	1
19	9001022	X-Brace - Carbon Fiber, Front, 16 in Width (Specify Seat Depth)	1
20	9001031	X-Brace - Carbon Fiber, Rear, 16 in Width (Specify Seat Depth)	1
21	9001023	X-Brace - Carbon Fiber, Front, 17 in Width (Specify Seat Depth)	1
22	9001032	X-Brace - Carbon Fiber, Rear, 17 in Width (Specify Seat Depth)	1
23	9001024	X-Brace - Carbon Fiber, Front, 18 in Width (Specify Seat Depth)	1
24	9001033	X-Brace - Carbon Fiber, Rear, 18 in Width (Specify Seat Depth)	1
25	9001025	X-Brace - Carbon Fiber, Front, 19 in Width (Specify Seat Depth)	1
26	9001034	X-Brace - Carbon Fiber, Rear, 19 in Width (Specify Seat Depth)	1
27	9001026	X-Brace - Carbon Fiber, Front, 20 in Width (Specify Seat Depth)	1
28	9001035	X-Brace - Carbon Fiber, Rear, 20 in Width (Specify Seat Depth)	1
29	9001229	X-Brace - Center Shaft	1
30	9001230	X-Brace - Base Shaft	2

MAKE SURE TO HAVE YOUR SERIAL NUMBER  
 NEARBY WHEN ORDERING PARTS FOR YOUR  
 MOTION COMPOSITES WHEELCHAIR



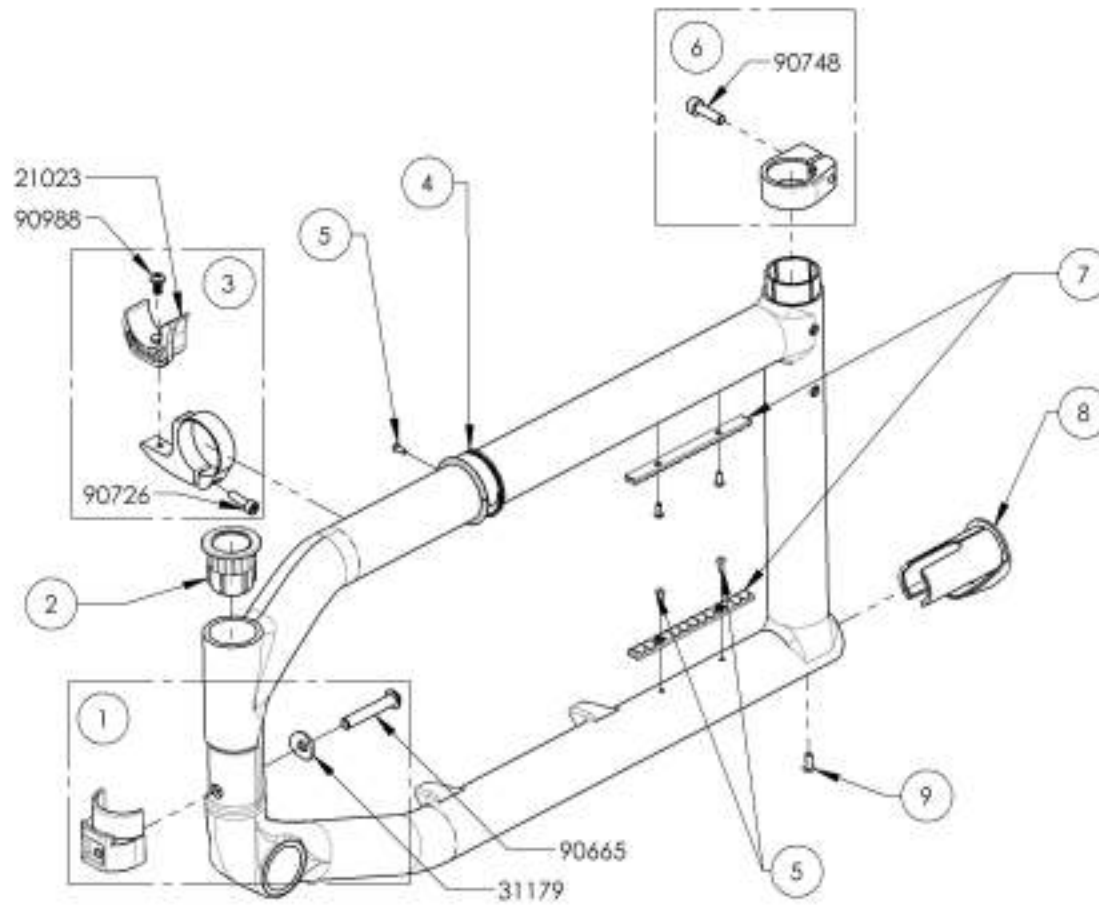
**9001007 9001011**  
**Frame - Carbon Fiber, Right (Specify Color)**

ITEM NO.	PARTNO	DESCRIPTION	QTY
1	31582	V2 FOOTREST SLEEVE ANCHOR - ASSEMBLY	1
2	11013	FOOTREST RIVOT SLEEVE	1
3	11504	CLAMP H-BLOCK SEAT SUPPORT - ASSEMBLY	1
4	12140	LINK GUIDE	1
5	99660	POP RIVET 3_32 D X .365 L X .126_250	5
6	32530	BACKREST CLAMP RIGHT - ASSEMBLY	1
7	11015	MOUNTING RAIL	2
8	11020	ANTI-TIPPER BUMPER SLEEVE CARBON FRAME	1
9	99661	POP RIVET 1_8 DIA X .328 LGHT (.126_187 GRP)	1

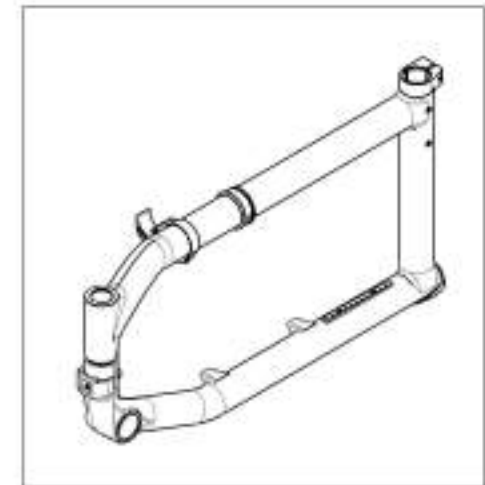


MAKE SURE TO HAVE YOUR SERIAL NUMBER  
 NEARBY WHEN ORDERING PARTS FOR YOUR  
 MOTION COMPOSITES WHEELCHAIR

**9001012 9001016**  
**Frame - Carbon Fiber, Left (Specify Color)**



ITEM NO.	PARTNO	DESCRIPTION	QTY
1	31582	V2 FOOTREST SLEEVE ANCHOR - ASSEMBLY	1
2	11013	FOOTREST RIVOT SLEEVE	1
3	11504	CLAMP H-BLOCK SEAT SUPPORT - ASSEMBLY	1
4	12140	LINK GUIDE	1
5	99660	POP RIVET 3_32 D X .365 L X .126_250	5
6	32531	BACKREST CLAMP LEFT - ASSEMBLY	1
7	11015	MOUNTING RAIL	2
8	11020	ANTI-TIPPER BUMPER SLEEVE CARBON FRAME	1
9	99661	POP RIVET 1_8 DIA X .328 LGHT (.126_187 GRP)	1

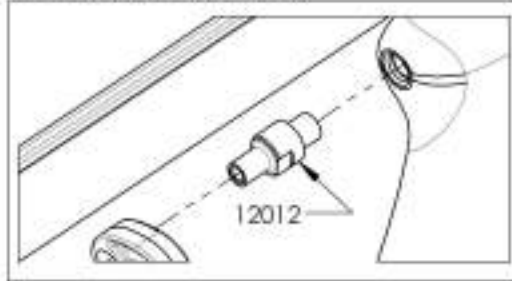


MAKE SURE TO HAVE YOUR SERIAL NUMBER  
 NEARBY WHEN ORDERING PARTS FOR YOUR  
 MOTION COMPOSITES WHEELCHAIR

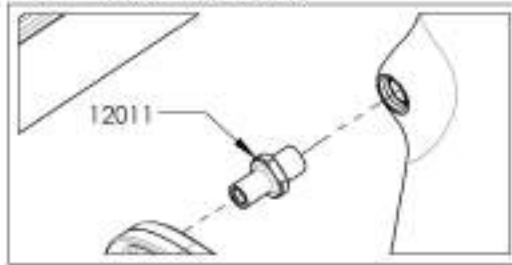


**9001018\_9001026**  
**X-Brace - Carbon Fiber, Front (Specify Seat Depth)**

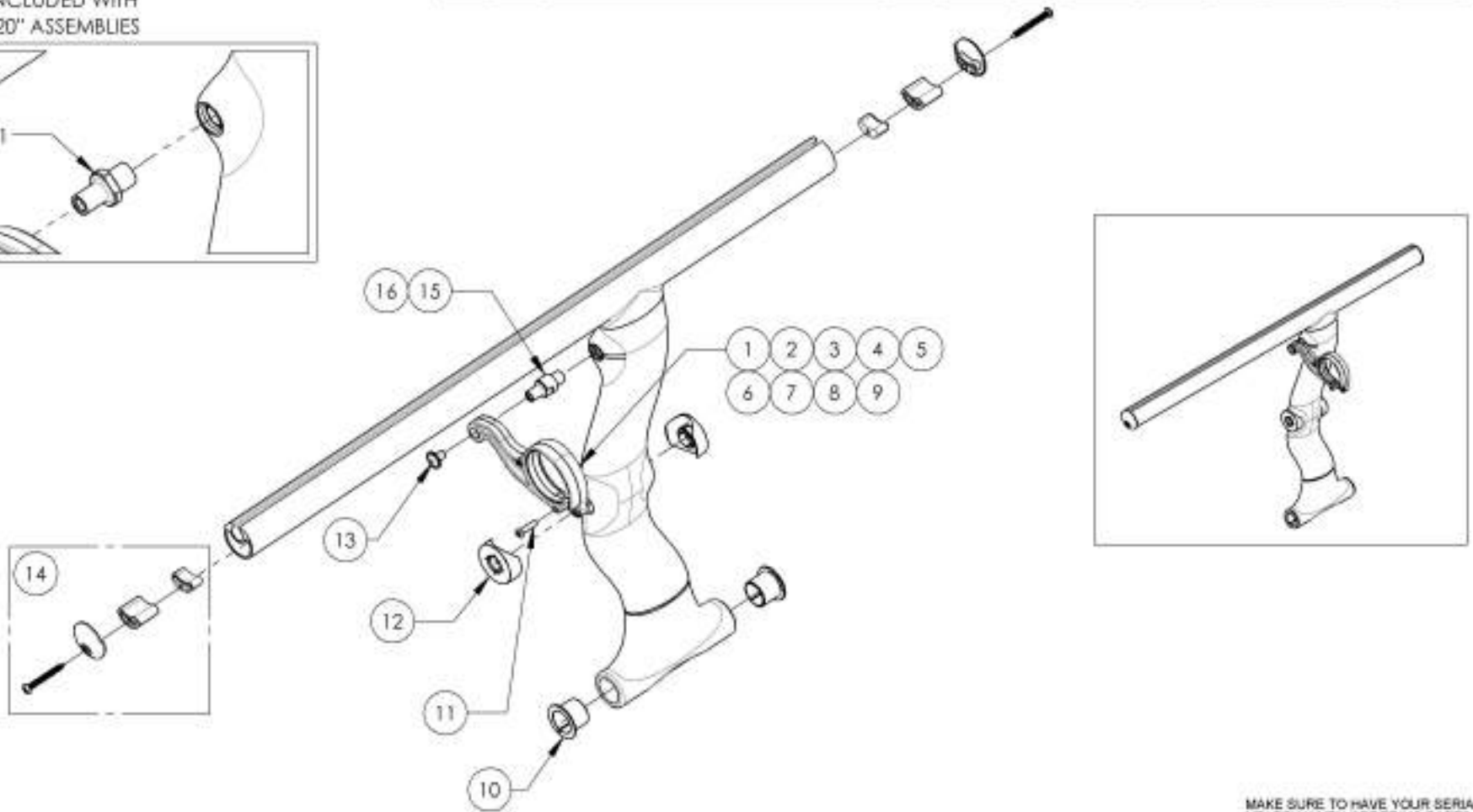
LINK STUD INCLUDED WITH  
 THE 12" TO 16" ASSEMBLIES



LINK STUD INCLUDED WITH  
 THE 17" TO 20" ASSEMBLIES



ITEM NO.	PARTNO	DESCRIPTION	9001018 /QTY.	9001019 /QTY.	9001020 /QTY.	9001021 /QTY.	9001022 /QTY.	9001023 /QTY.	9001024 /QTY.	9001025 /QTY.	9001026 /QTY.	REPLACEMENT PARTS/QTY.
1	12152	12in A7_C2 LINK	1	-	-	-	-	-	-	-	-	-
2	12153	13in A7_C2 LINK	-	1	-	-	-	-	-	-	-	-
3	12154	14in A7_C2 LINK	-	-	1	-	-	-	-	-	-	-
4	12155	15in A7_C2 LINK	-	-	-	1	-	-	-	-	-	-
5	12156	16in A7_C2 LINK	-	-	-	-	1	-	-	-	-	-
6	12157	17in A7_C2 LINK	-	-	-	-	-	1	-	-	-	-
7	12158	18in A7_C2 LINK	-	-	-	-	-	-	1	-	-	-
8	12159	19in A7_C2 LINK	-	-	-	-	-	-	-	1	-	-
9	12160	20in A7_C2 LINK	-	-	-	-	-	-	-	-	1	-
10	12006	C2 XBRACE BASE PIVOT SLEEVE	2	2	2	2	2	2	2	2	2	-
11	99000	SCREW PHILIPS PAN HD #6-32 X 1/2	1	1	1	1	1	1	1	1	1	-
12	12145	C2 XBRACE CENTER PIVOT SLEEVE	2	2	2	2	2	2	2	2	2	-
13	91009	FLANGE BUTION HEAD CAP SCREW, M5X.8 X 8mm	1	1	1	1	1	1	1	1	1	-
14	12013	CARBON SLOTTED SEAT TUBE PLUG - ASSEMBLY	2	2	2	2	2	2	2	2	2	-
15	12012	LINK STUD 12-16" CARBON C2 XBRACE	-	-	-	-	-	-	-	-	-	1
16	12011	LINK STUD 17-20" CARBON C2 XBRACE	-	-	-	-	-	-	-	-	-	1

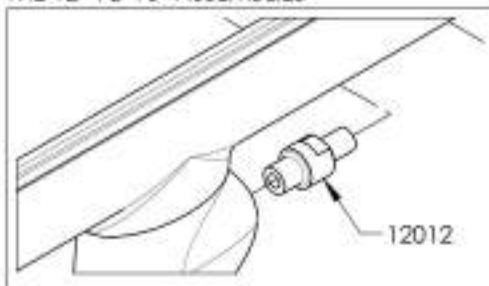


MAKE SURE TO HAVE YOUR SERIAL NUMBER  
 NEARBY WHEN ORDERING PARTS FOR YOUR  
 MOTION COMPOSITES WHEELCHAIR

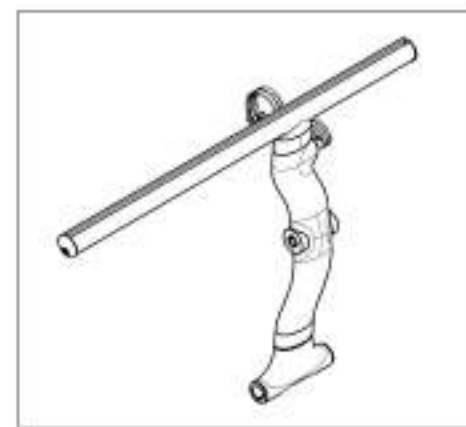
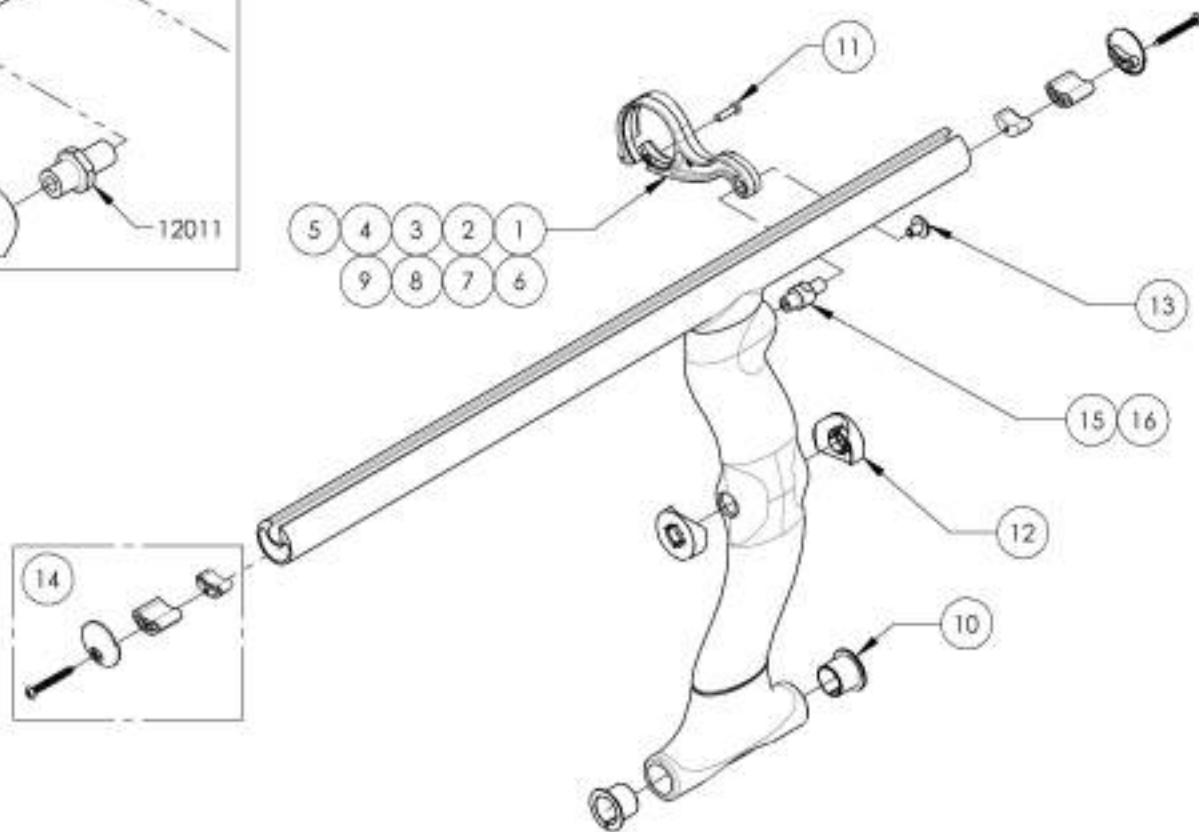
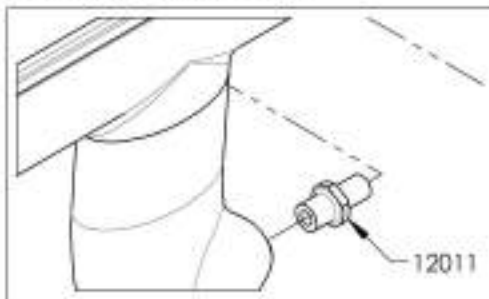
**9001027\_9001035**  
**X-Brace - Carbon Fiber, Rear (Specify Seat Depth)**

ITEM NO.	PARTNO	DESCRIPTION	9001027 /QTY.	9001028 /QTY.	9001029 /QTY.	9001030 /QTY.	9001031 /QTY.	9001032 /QTY.	9001033 /QTY.	9001034 /QTY.	9001035 /QTY.	REPLACEMENT PARTS/QTY.
1	12152	12in A7_C2 UNK	1	-	-	-	-	-	-	-	-	-
2	12153	13in A7_C2 UNK	-	1	-	-	-	-	-	-	-	-
3	12154	14in A7_C2 UNK	-	-	1	-	-	-	-	-	-	-
4	12155	15in A7_C2 UNK	-	-	-	1	-	-	-	-	-	-
5	12156	16in A7_C2 UNK	-	-	-	-	1	-	-	-	-	-
6	12157	17in A7_C2 UNK	-	-	-	-	-	1	-	-	-	-
7	12158	18in A7_C2 UNK	-	-	-	-	-	-	1	-	-	-
8	12159	19in A7_C2 UNK	-	-	-	-	-	-	-	1	-	-
9	12160	20in A7_C2 UNK	-	-	-	-	-	-	-	-	1	-
10	12006	C2 XBRACE BASE PIVOT SLEEVE	2	2	2	2	2	2	2	2	2	-
11	99000	SCREW PHILLIPS PAN HD #6-32 X 1/2	1	1	1	1	1	1	1	1	1	-
12	12145	C2 XBRACE CENTER PIVOT SLEEVE	2	2	2	2	2	2	2	2	2	-
13	91009	FLANGE BUTTON HEAD CAP SCREW, MSX.8 X 8mm	1	1	1	1	1	1	1	1	1	-
14	12013	CARBON SLOTTED SEAT TUBE PLUG - ASSEMBLY	2	2	2	2	2	2	2	2	2	-
15	12012	LINK STUD 12-16" CARBON C2 XBRACE	-	-	-	-	-	-	-	-	-	1
16	12011	LINK STUD 17-22" CARBON C2 XBRACE	-	-	-	-	-	-	-	-	-	1

LINK STUD INCLUDED WITH THE 12" TO 16" ASSEMBLIES



LINK STUD INCLUDED WITH THE 17" TO 20" ASSEMBLIES

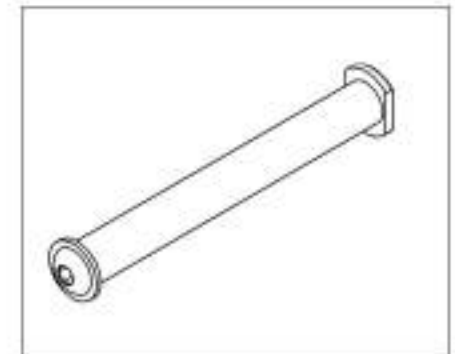
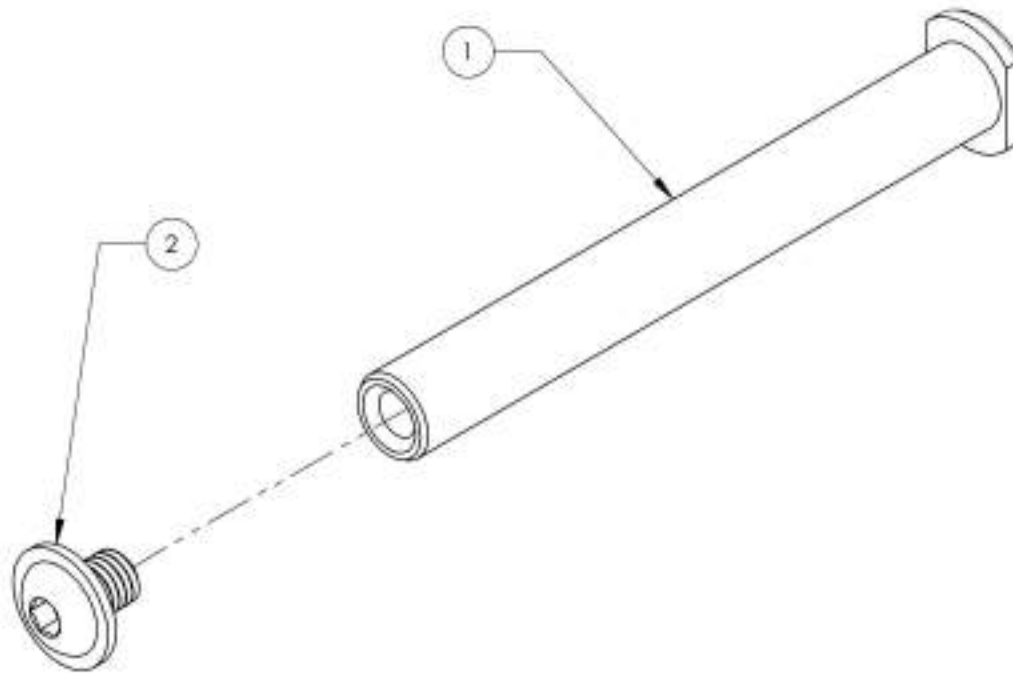


MAKE SURE TO HAVE YOUR SERIAL NUMBER NEARBY WHEN ORDERING PARTS FOR YOUR MOTION COMPOSITES WHEELCHAIR



**9001229**  
**X-Brace - Center Shaft**

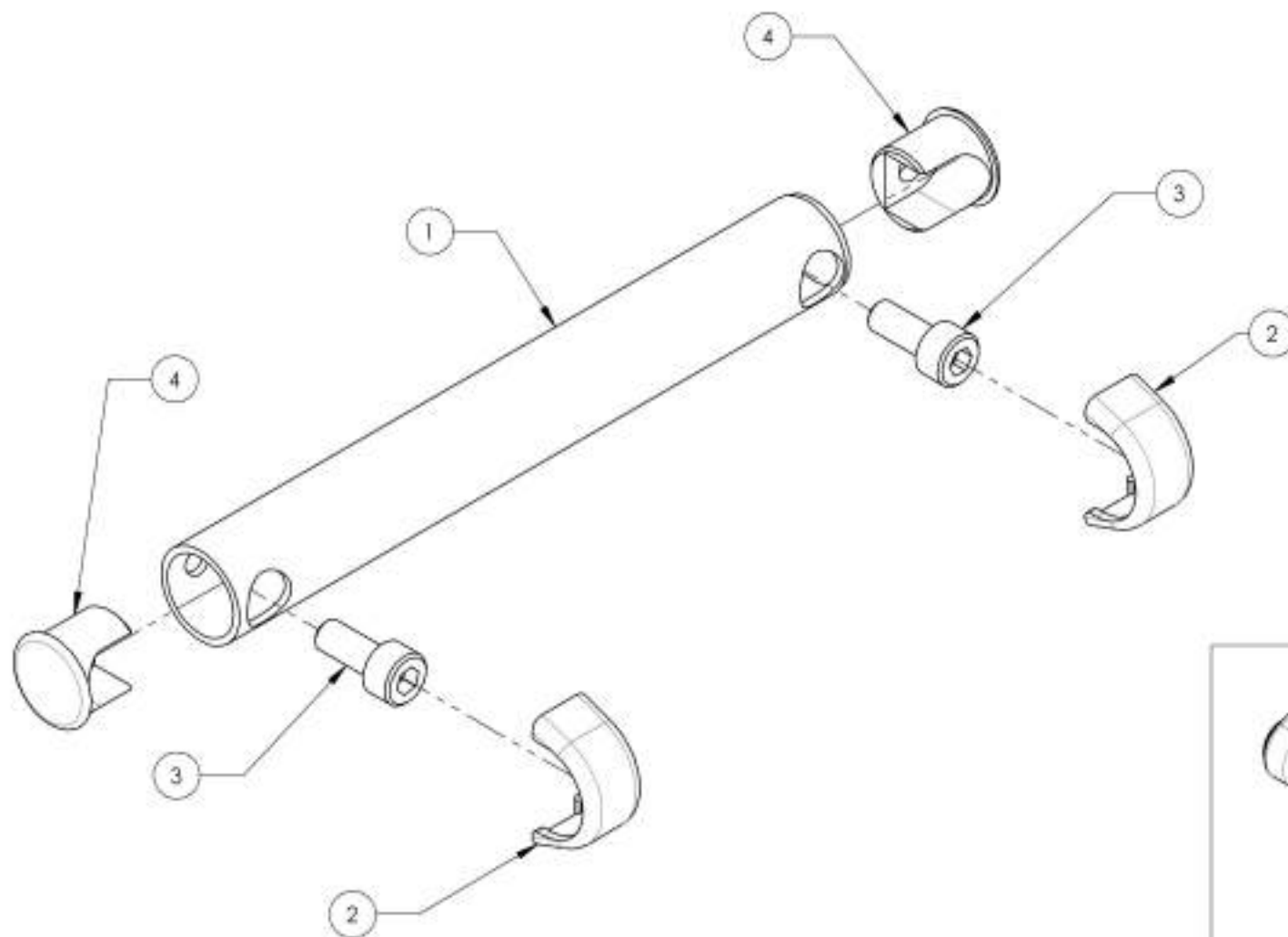
ITEM NO.	PARTNO	DESCRIPTION	9001229 QTY.
1	12142	C2 XBRACE CENTER SHAFT	1
2	90994	FLANGE BUTTON HEAD CAP SCREW, MBX.B X 10mm + BLUE THREADLOCKER	1



MAKE SURE TO HAVE YOUR SERIAL NUMBER  
NEARBY WHEN ORDERING PARTS FOR YOUR  
MOTION COMPOSITES WHEELCHAIR

**9001230**  
**X-Brace - Base Shaft**

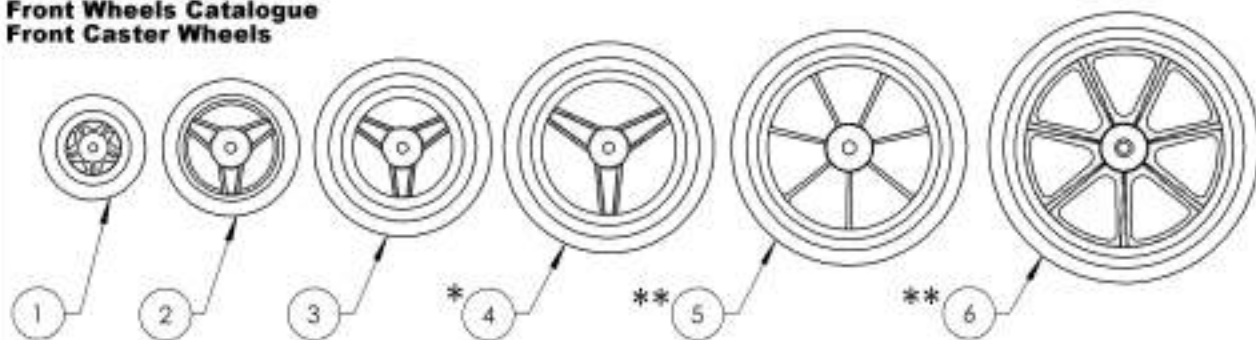
ITEM NO.	PARTNO	DESCRIPTION	9001230 /QTY.
1	12143	C2 XBRACE BASE SHAFT	1
2	12149	C2 XBRACE BASE PIVOT SHAFT PLASTIC CAP	2
3	90744	SOCKET CAP SCREW M6X0.8 X 12mm LONG, FULLY THREADED + BLUE TREADLOCKER - BLACK ZINC	2
4	12150	C2 XBRACE BASE PIVOT SHAFT ALU PLUG	2



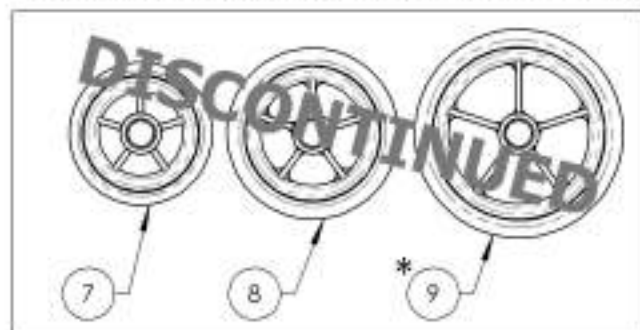
MAKE SURE TO HAVE YOUR SERIAL NUMBER  
 NEARBY WHEN ORDERING PARTS FOR YOUR  
 MOTION COMPOSITES WHEELCHAIR



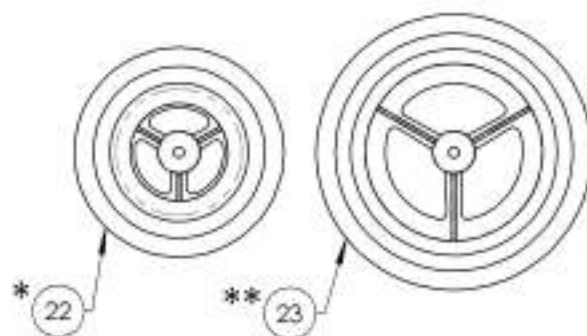
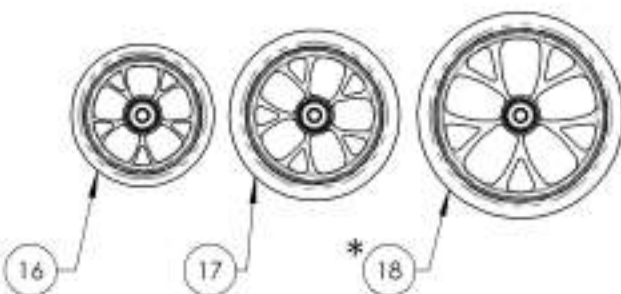
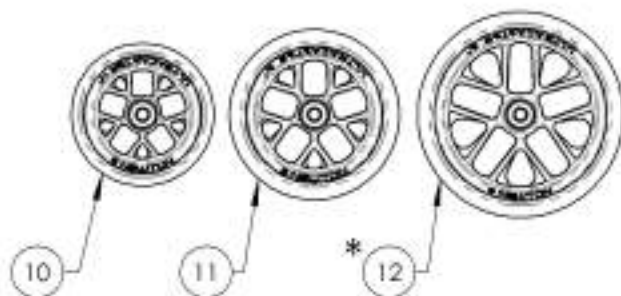
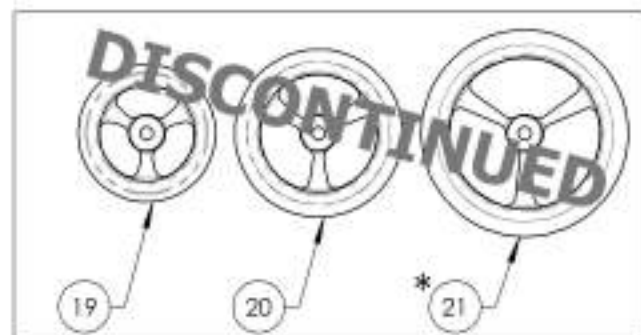
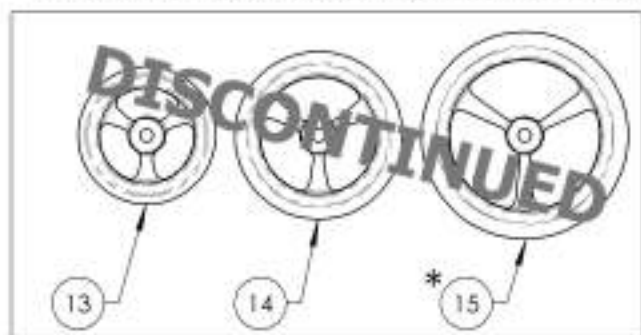
**Front Wheels Catalogue  
Front Caster Wheels**



REPLACED BY #9002843, #9002844 & #9002845



REPLACED BY #9002846, #9002847 & #9002848



ITEM NO.	PARTNO	DESCRIPTION	QTY.
1	9001457	Caster - Composites, 3x1 in	1
2	9001458	Caster - Composites, 4x1 in	1
3	9001459	Caster - Composites, 5x1 in	1
4 *	9001460	Caster - Composites, 6x1 in	1
5 **	9001461	Caster - Composites, 7x1 in	1
6 **	9001462	Caster - Composites, 8x1 in	1
7	9001463	Caster - Composites Soft-Roll, 4x1 1/2 in	1
8	9001464	Caster - Composites Soft-Roll, 6x1 1/2 in	1
9 *	9001465	Caster - Composites Soft-Roll, 6x1 1/2 in	1
10	9002843	Newton UltraCaster - Composites, 4 x 1 1/2 in	1
11	9002844	Newton UltraCaster - Composites, 5 x 1 1/2 in	1
12 *	9002845	Newton UltraCaster - Composites, 6 x 1 1/2 in	1
13	9002213	Caster - Aluminum Soft-Roll, 4x1 1/2 in	1
14	9002214	Caster - Aluminum Soft-Roll, 6x1 1/2 in	1
15 *	9002215	Caster - Aluminum Soft-Roll, 6x1 1/2 in	1
16	9002846	Newton UltraCaster - Aluminum, 4 x 1 1/2 in	1
17	9002847	Newton UltraCaster - Aluminum, 5 x 1 1/2 in	1
18 *	9002848	Newton UltraCaster - Aluminum, 6 x 1 1/2 in	1
19	9001466	Caster - Court Wheel Aluminum, 4x1 in	1
20	9001467	Caster - Court Wheel Aluminum, 6x1 in	1
21 *	9001468	Caster - Court Wheel Aluminum, 6x1 in	1
22 *	9001469	Caster - Pneumatic, 6x1 1/2 in	1
23 **	9001470	Caster - Pneumatic, 8x1 1/2 in	1

\*:NOT AVAILABLE WITH VELOCE MONOARM FORK  
\*\*:NOT AVAILABLE WITH VELOCE & APEX FORK

**BEARING REPLACEMENT**

**NEWTON ULTRACASTER WHEELS**

9002843, 9002844, 9002845,  
9002846, 9002847, 9002848,

**SOFT-ROLL & COURT WHEELS**

9001463, 9001464, 9001465,  
9002213, 9002214, 9002215,  
9001466, 9001467 & 9001468

Part#: **22037**

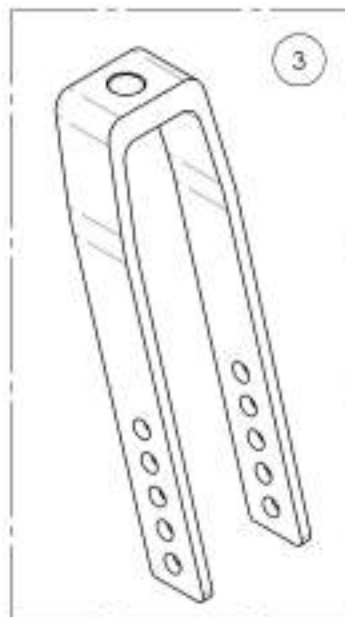
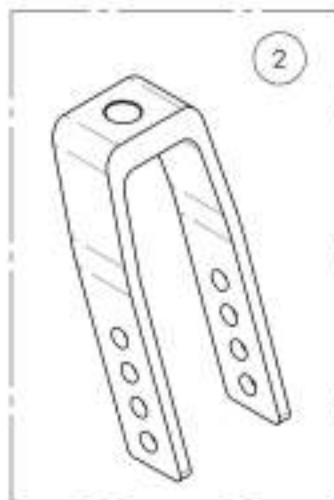
**COMPOSITES & PNEUMATIC CASTER WHEELS**

9001457, 9001458, 9001459, 9001460,  
9001461, 9001462, 9001469 & 9001470

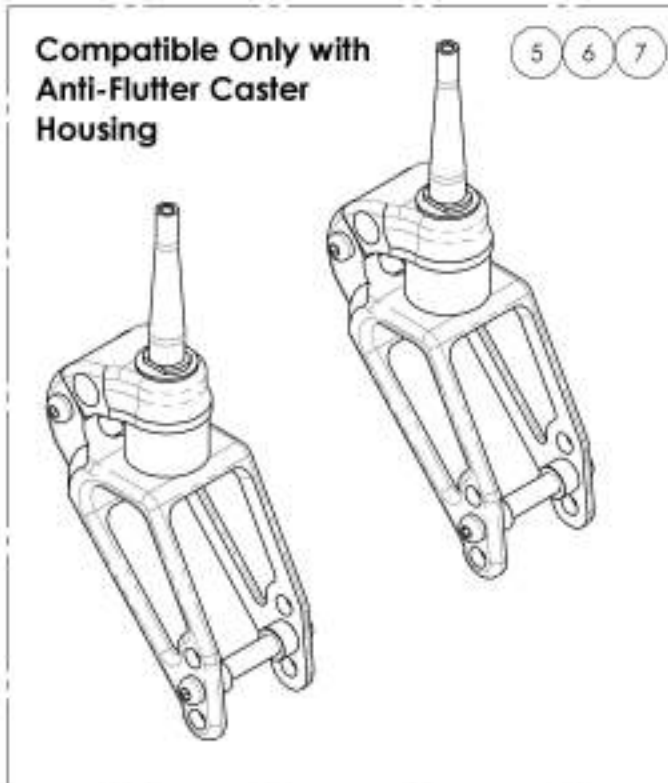
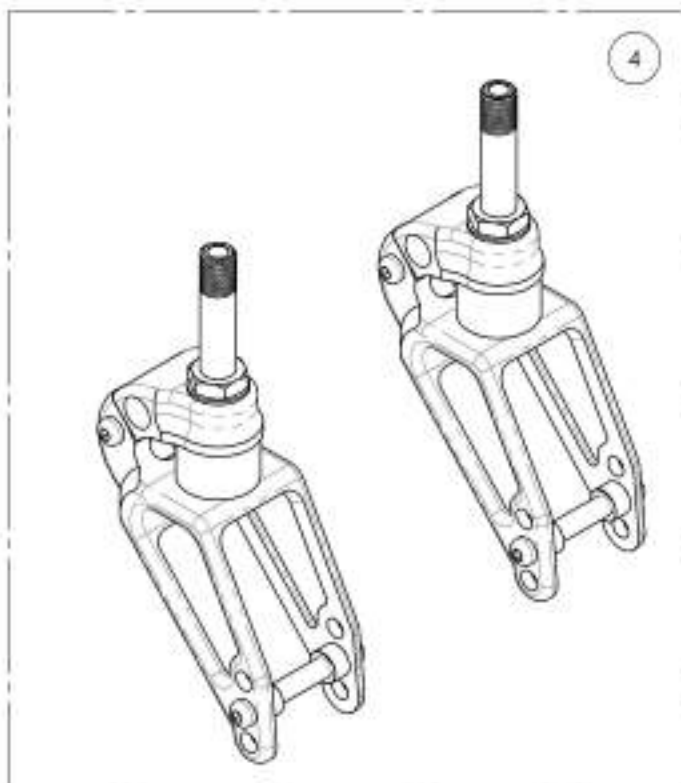
Part#: **22038**

MAKE SURE TO HAVE YOUR SERIAL NUMBER  
NEARBY WHEN ORDERING PARTS FOR YOUR  
MOTION COMPOSITES WHEELCHAIR

**Front Wheels Catalogue  
Forks**



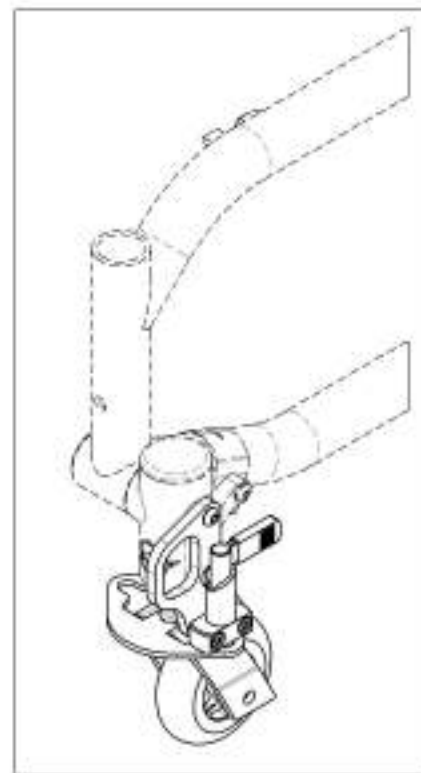
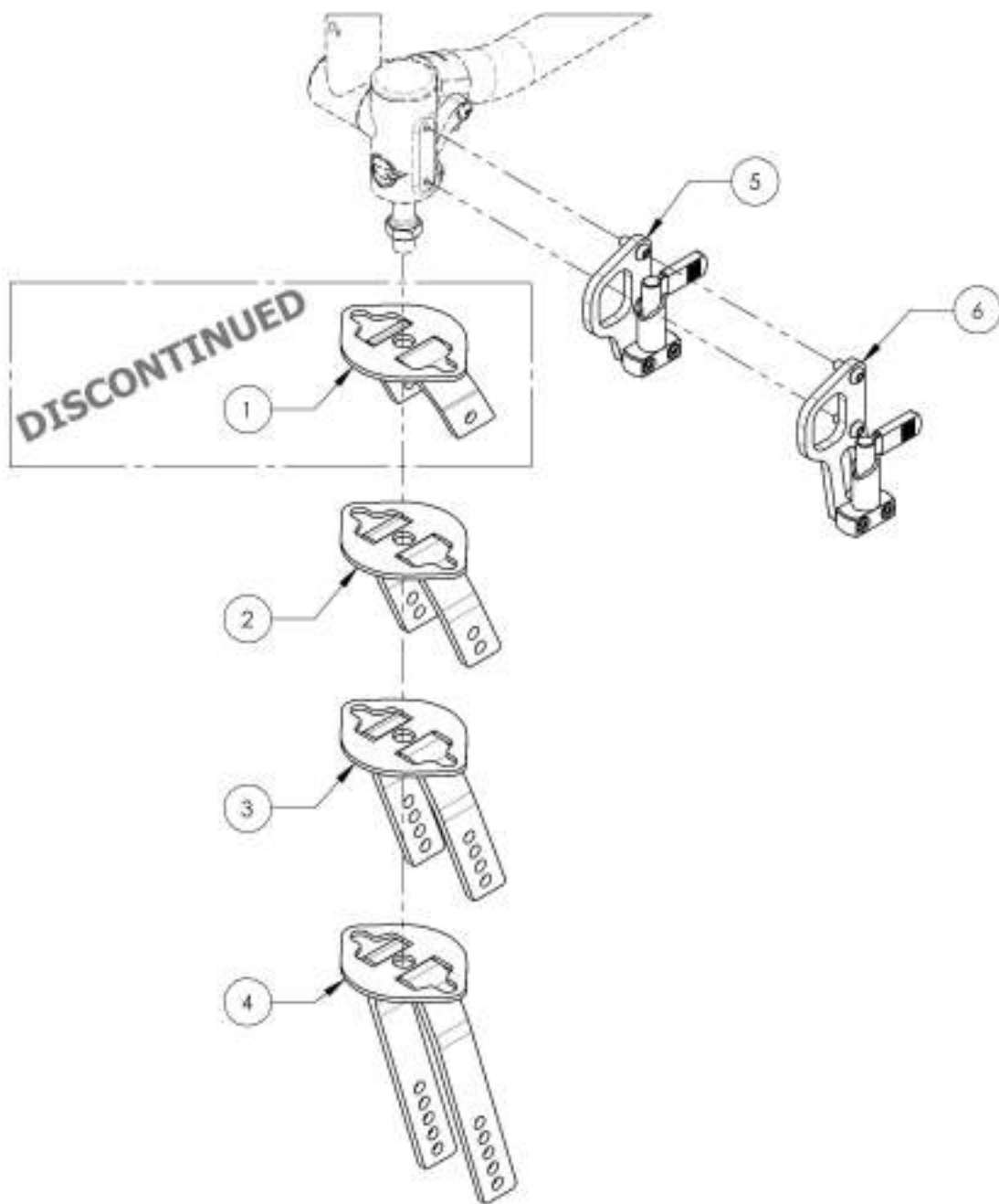
ITEM NO.	PARTNO	DESCRIPTION	QTY.
1	9001430	Fork - 4 in	1
2	9001451	Fork - 5 in	1
3	9001452	Fork - 7 in	1
4	900144P	Suspension Fork - Frog Leg	1
5	9002413	Suspension Fork - Frog Leg, Anti-Flutter Caster Housing, 3/16 Stem Bolt	1
6	9002414	Suspension Fork - Frog Leg, Anti-Flutter Caster Housing, +1 in Stem Bolt	1
7	9002415	Suspension Fork - Frog Leg, Anti-Flutter Caster Housing, +2 in Stem Bolt	1



MAKE SURE TO HAVE YOUR SERIAL NUMBER  
NEARBY WHEN ORDERING PARTS FOR YOUR  
MOTION COMPOSITES WHEELCHAIR

**Front Wheels Catalogue  
Caster Lock Pin**

ITEM NO.	PARTNO	DESCRIPTION	QTY
1	9001453	Fork - 3 in For Caster Lock Pin	1
2	9001454	Fork - 4 in For Caster Lock Pin	1
3	9001455	Fork - 5 in For Caster Lock Pin	1
4	9001456	Fork - 7 in For Caster Lock Pin	1
5	9001623	Tie Down - Front, Wheelchair Transit, With +1 in Caster Lock Pin	1
6	9001624	Tie Down - Front, Wheelchair Transit, With +2 in Caster Lock Pin	1

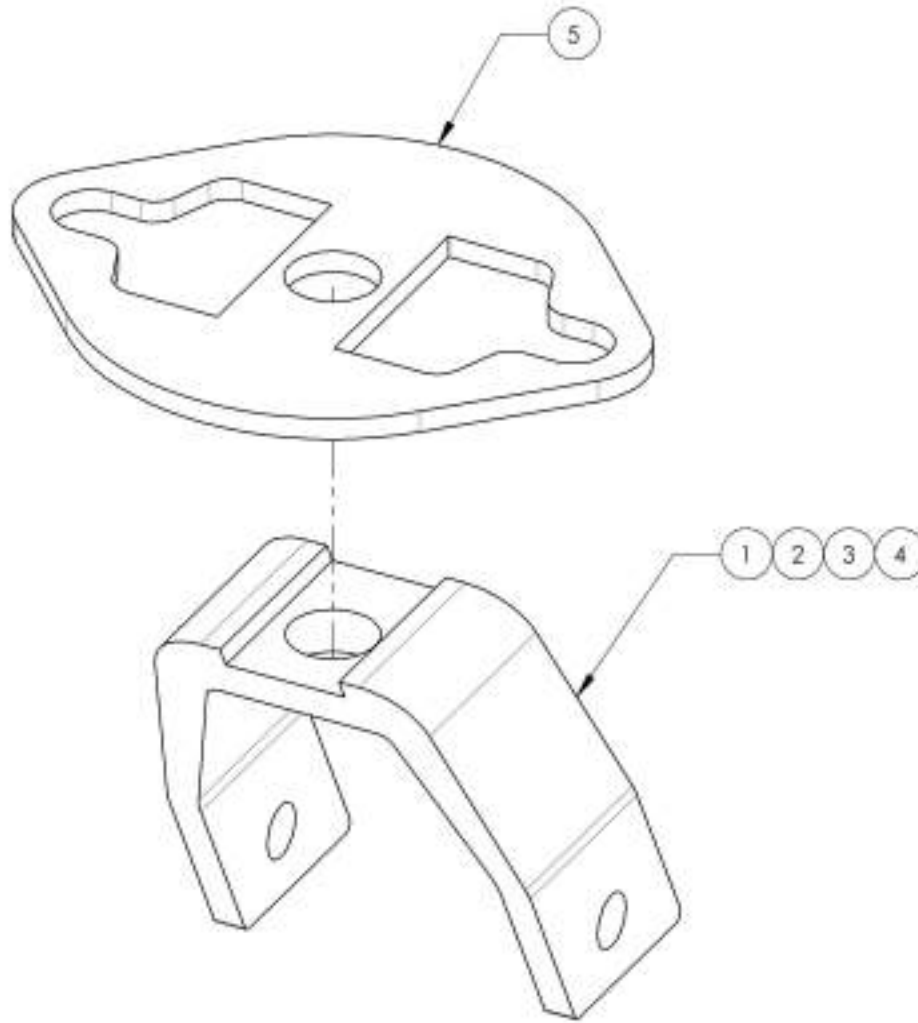


MAKE SURE TO HAVE YOUR SERIAL NUMBER  
NEARBY WHEN ORDERING PARTS FOR YOUR  
MOTION COMPOSITES WHEELCHAIR



**9001453 9001456**  
**Forks - For Caster Lock Pin**

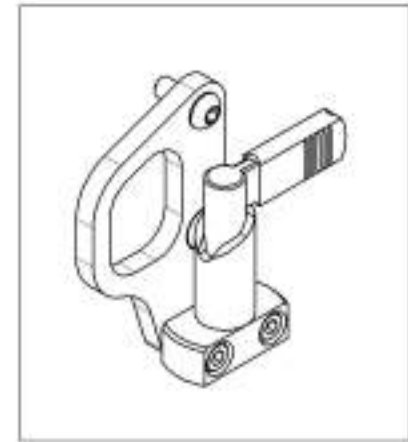
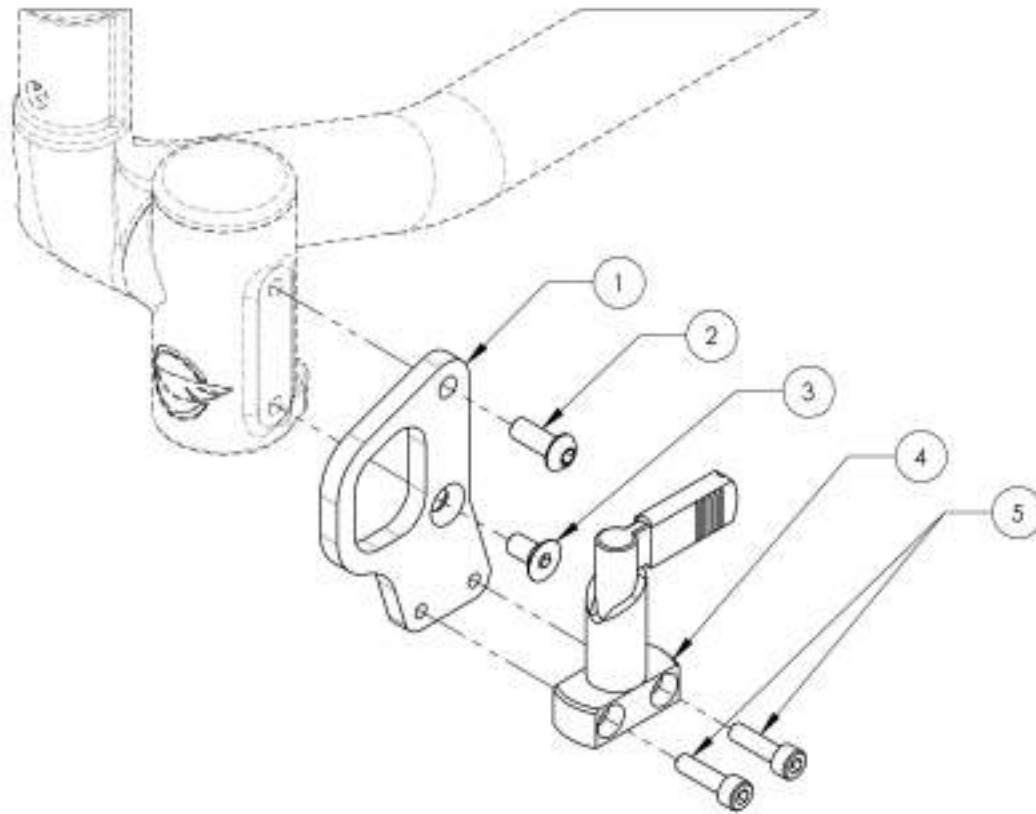
ITEM NO.	PARTNO	DESCRIPTION	9001453 /QTY.	9001454 /QTY.	9001455 /QTY.	9001456 /QTY.
1	22067	3x1/16" MACHINED FORK FOR CASTER LOCK PIN	1	-	-	-
2	22064	4x1/2" MACHINED FORK FOR CASTER LOCK PIN	-	1	-	-
3	22065	5x1/2" MACHINED FORK FOR CASTER LOCK PIN	-	-	1	-
4	22066	7x1/2" MACHINED FORK FOR CASTER LOCK PIN	-	-	-	1
5	22060	CASTER LOCK PIN PLATE	1	1	1	1



MAKE SURE TO HAVE YOUR SERIAL NUMBER NEARBY WHEN ORDERING PARTS FOR YOUR MOTION COMPOSITES WHEELCHAIR

**9001623**  
**Tie Down - Front, Wheelchair Transit, With +1 in Caster Lock Pin**

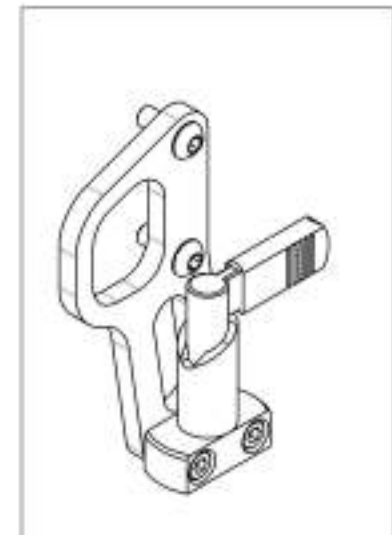
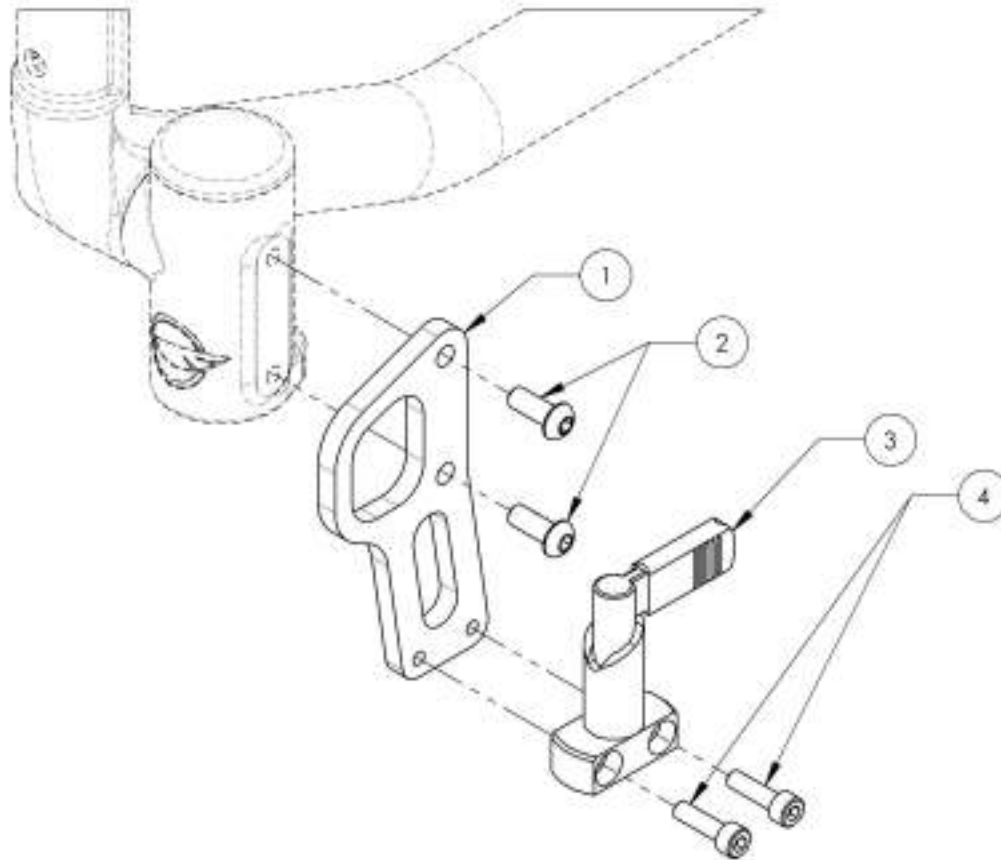
ITEM NO.	PARTNO	DESCRIPTION	9001623 /QTY.
1	22051	FRONT TIE DOWN +1 FOR CASTER LOCK PIN	1
2	90659	BUTTON HEAD CAP SCREW M6X1 X 16mm LONG, FULLY THREADED + BLUE THREADLOCKER - BLACK ZINC	1
3	90864	FLAT HEAD CAP SCREW M6X1 X 12mm LONG, FULLY THREADED + BLUE THREADLOCKER - BLACK ZINC	1
4	22063	SLIDER LOCK FOR CASTER LOCK PIN	1
5	90748	SOCKET CAP SCREW M5X0.8 X 18mm LONG, FULLY THREADED + BLUE THREADLOCKER - BLACK ZINC	2



MAKE SURE TO HAVE YOUR SERIAL NUMBER  
 NEARBY WHEN ORDERING PARTS FOR YOUR  
 MOTION COMPOSITES WHEELCHAIR

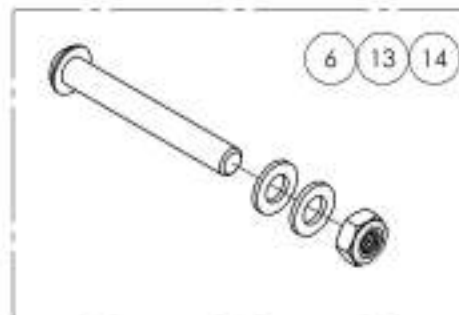
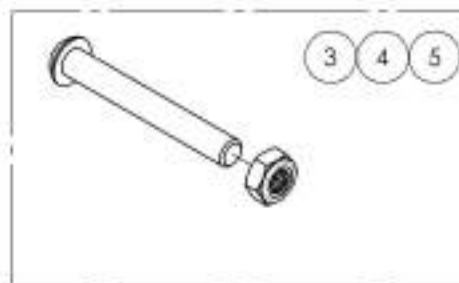
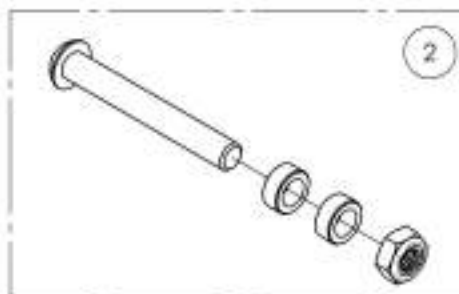
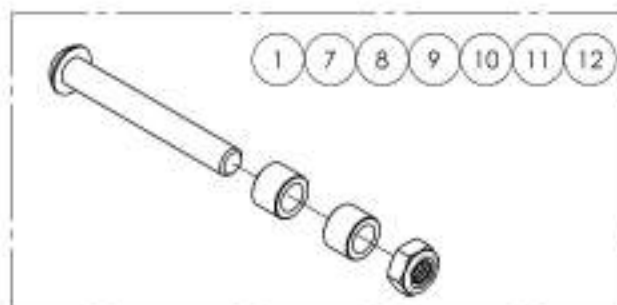
**9001624**  
**Tie Down - Front, Wheelchair Transit, With +2 in Caster Lock Pin**

ITEM NO.	PARTNO	DESCRIPTION	9001624 /QTY.
1	22062	FRONT TIE DOWN +2 FOR CASTER LOCK PIN	1
2	90659	BUTTON HEAD CAP SCREW M6X1 X 16mm LONG, FULLY THREADED + BLUE THREADLOCKER - BLACK ZINC	2
3	22063	SLIDER LOCK FOR CASTER LOCK PIN	1
4	90748	SOCKET CAP SCREW M5X0.8 X 18mm LONG, FULLY THREADED + BLUE TREADLOCKER - BLACK ZINC	2



MAKE SURE TO HAVE YOUR SERIAL NUMBER  
 NEARBY WHEN ORDERING PARTS FOR YOUR  
 MOTION COMPOSITES WHEELCHAIR

## Front Wheels Catalogue Hardware



ITEM NO.	PART NO	DESCRIPTION	QTY.
1	9001416	Fork - Hardware For Composites Caster, 3x1 in	1
2	9001417	Fork - Hardware For Composites Caster, 4x1 in	1
3	9001418	Fork - Hardware For Composites Caster, 5x1 in	1
4	9001419	Fork - Hardware For Composites Caster, 6x1 in	1
5	9001420	Fork - Hardware For Composites Caster, 7x1 in	1
6	9001421	Fork - Hardware For Composites Caster, 8x1 in	1
7	9001422	Fork - Hardware For Newton Ultracaster, 4x1 1/2 in	1
8	9001423	Fork - Hardware For Newton Ultracaster, 5x1 1/2 in	1
9	9001424	Fork - Hardware For Newton Ultracaster, 6x1 1/2 in	1
10	9001425	Fork - Hardware For Court Wheel Aluminum Caster, 4x1 in	1
11	9001426	Fork - Hardware For Court Wheel Aluminum Caster, 5x1 in	1
12	9001427	Fork - Hardware For Court Wheel Aluminum Caster, 6x1 in	1
13	9001428	Fork - Hardware For Pneumatic Caster, 6x1 1/2 in	1
14	9001429	Fork - Hardware For Pneumatic Caster, 8x1 1/2 in	1

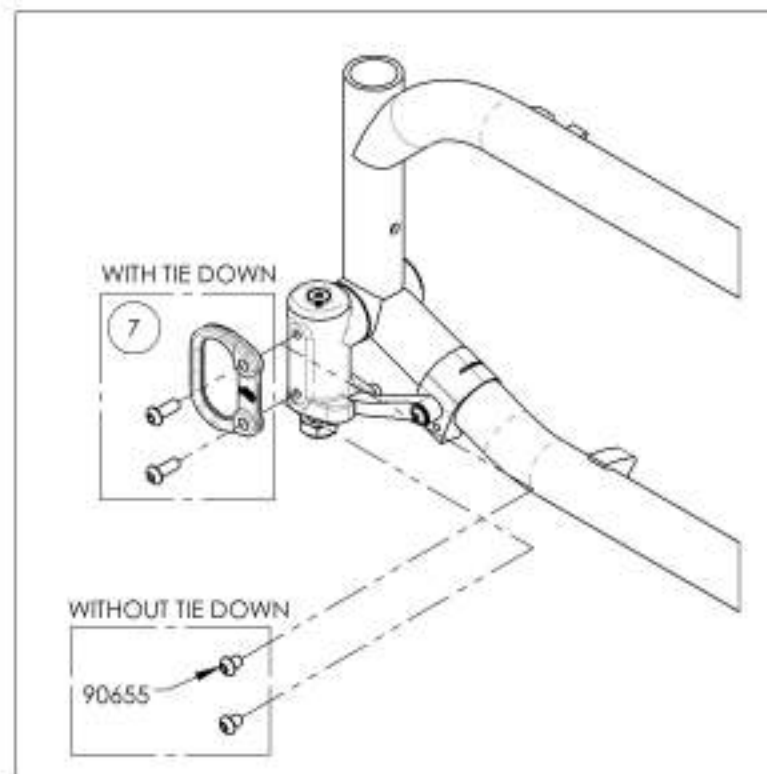
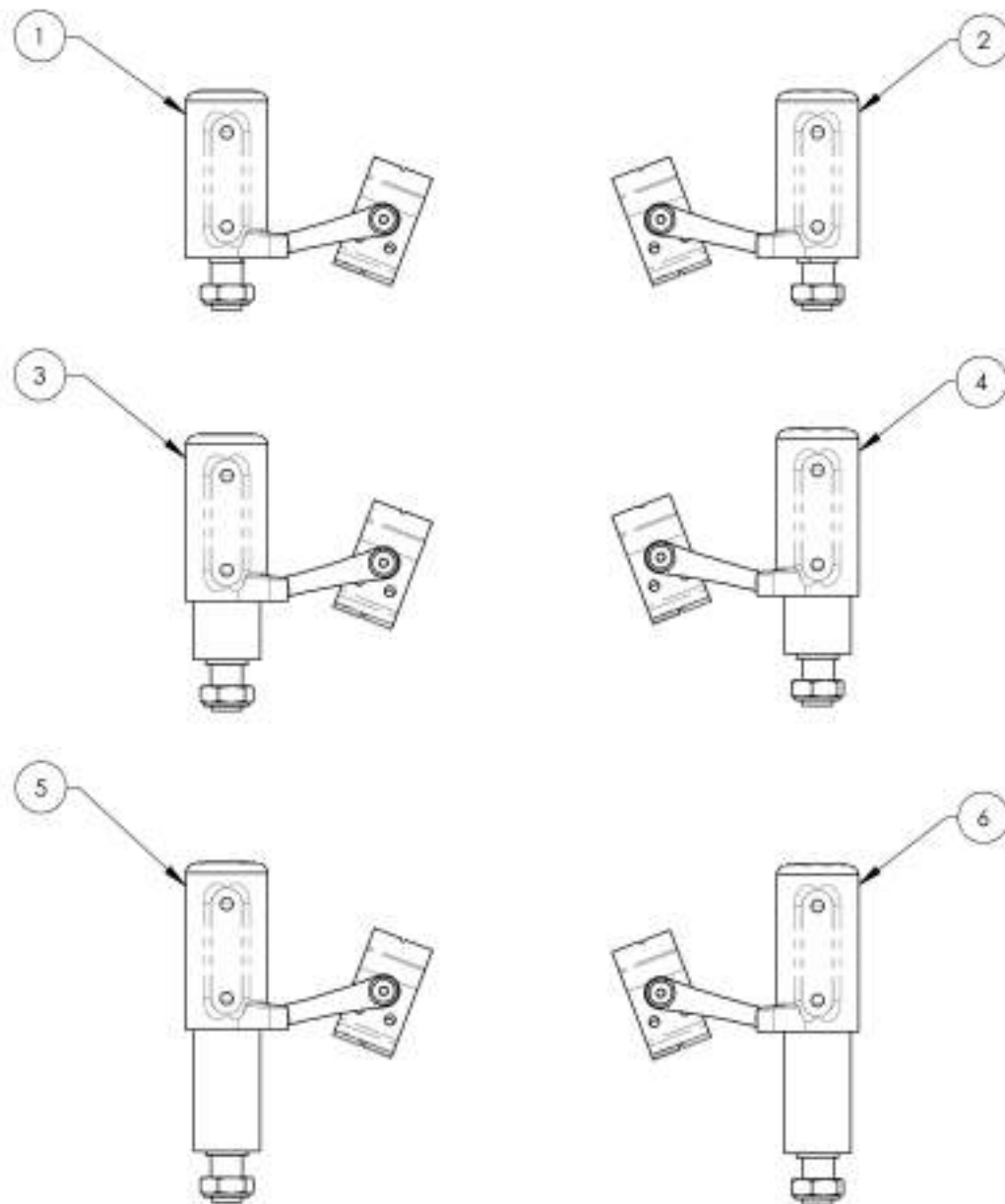
MAKE SURE TO HAVE YOUR SERIAL NUMBER  
NEARBY WHEN ORDERING PARTS FOR YOUR  
MOTION COMPOSITES WHEELCHAIR



**Front Wheels Catalogue  
Anti-Flutter Caster Housing**

ITEM NO.	PARTNO	DESCRIPTION	QTY.
1	9001442	Caster Housing - Anti-Flutter, Left, STD Stem Bolt	1
2	9001439	Caster Housing - Anti-Flutter, Right, STD Stem Bolt	1
3	9001443	Caster Housing - Anti-Flutter, Left, +1 in Stem Bolt	1
4	9001440	Caster Housing - Anti-Flutter, Right, +1 in Stem Bolt	1
5	9001444	Caster Housing - Anti-Flutter, Left, +2 in Stem Bolt	1
6	9001441	Caster Housing - Anti-Flutter, Right, +2 in Stem Bolt	1
7	9001622	Tie Down - Front, Wheelchair Transit	1

**APPLICABLE ON WHEELCHAIRS  
SINCE 2017/02/13**

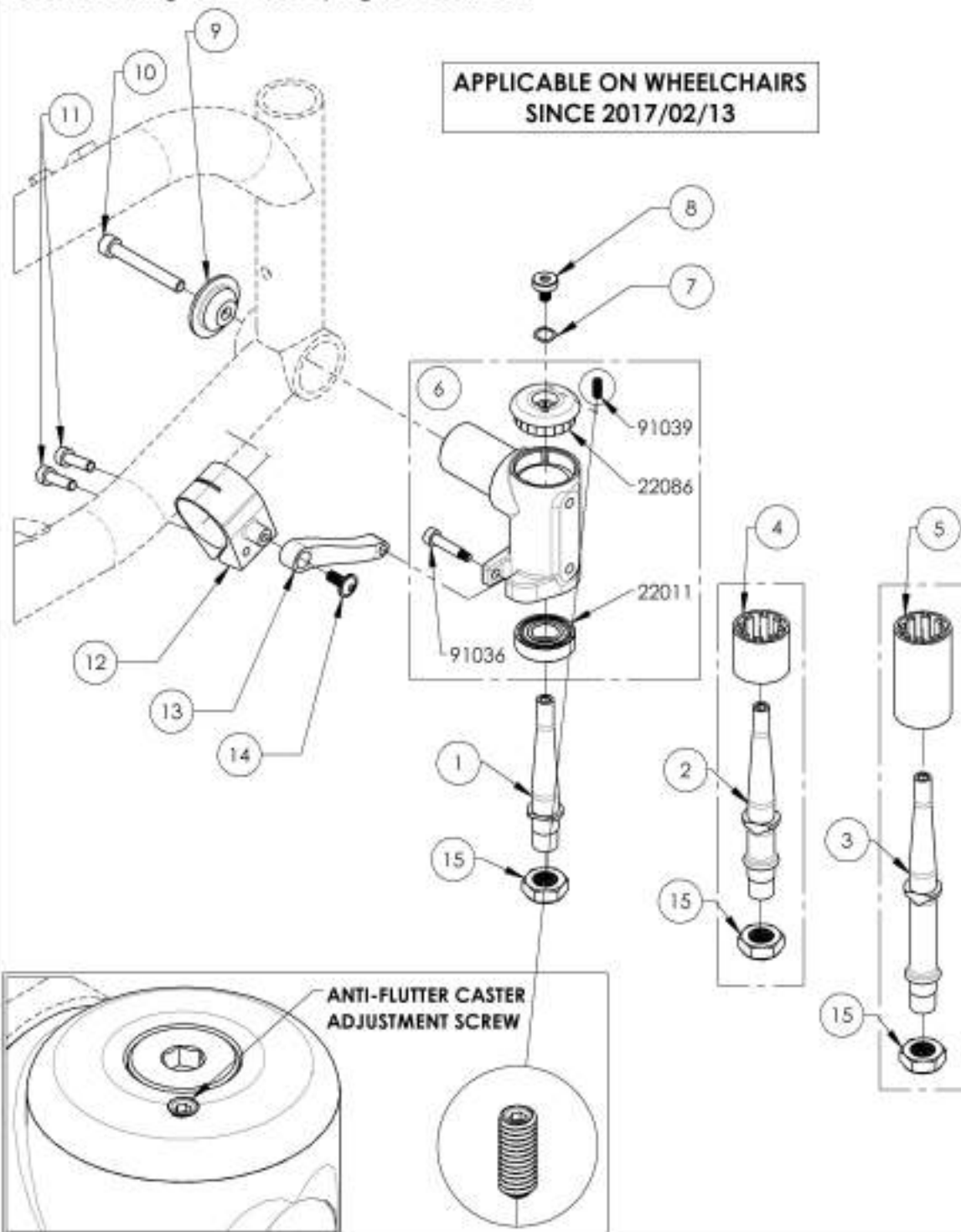


MAKE SURE TO HAVE YOUR SERIAL NUMBER  
NEARBY WHEN ORDERING PARTS FOR YOUR  
MOTION COMPOSITES WHEELCHAIR

**9001439\_9001441**

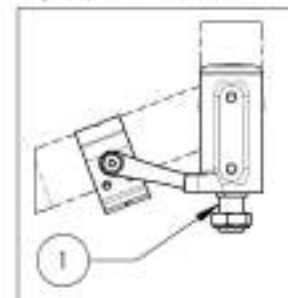
**Caster Housing - Anti-Flutter, Right + Stem Bolt**

**APPLICABLE ON WHEELCHAIRS  
SINCE 2017/02/13**

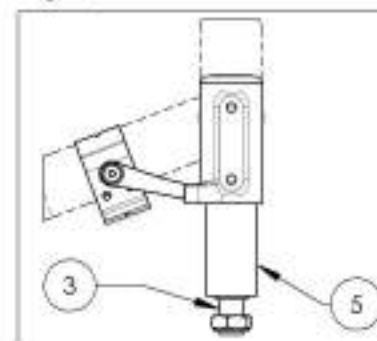


ITEM NO.	PART NO	DESCRIPTION	9001439 /QTY.	9001440 /QTY.	9001441 /QTY.
1	22090	STEM BOLT STD	1	-	-
2	22091	STEM BOLT + 1 in	-	1	-
3	22092	STEM BOLT + 2 in	-	-	1
4	22149	STEM BOLT COVER +1 in	-	1	-
5	22150	STEM BOLT COVER +2 in	-	-	1
6	22094	BEARING HOUSING - RIGHT (M) - ASSEMBLY	1	1	1
7	22095	TRIPLE-WAVE STEEL WASHER 0.320in ID, 0.437in OD	1	1	1
8	91038	STEM BOLT TOP SCREW	1	1	1
9	22009	HOUSING SIDE CAP	1	1	1
10	90777	SOCKET CAP SCREW M4X1 X 45mm LONG, 24mm THREADED + BLUE TREADLOCKER - BLACK ZINC	1	1	1
11	90748	SOCKET CAP SCREW M5X0.8 X 18mm LONG, FULLY THREADED + BLUE TREADLOCKER - BLACK ZINC	2	2	2
12	22052	FRONT WHEEL CLAMP V2	1	1	1
13	22053	TORQUE ARM V2	1	1	1
14	90993	FLANGE BUTTON HEAD CAP SCREW, M4X.8 X 12mm + BLUE TREADLOCKER	1	1	1
15	90992	M1.2 LOW NYLON LOCK	1	1	1

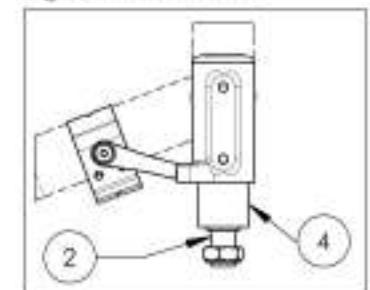
**9001439**  
Caster Housing - Anti-Flutter,  
Right, STD Stem Bolt



**9001441**  
Caster Housing - Anti-Flutter,  
Right, +2 in Stem Bolt



**9001440**  
Caster Housing - Anti-Flutter,  
Right, +1 in Stem Bolt

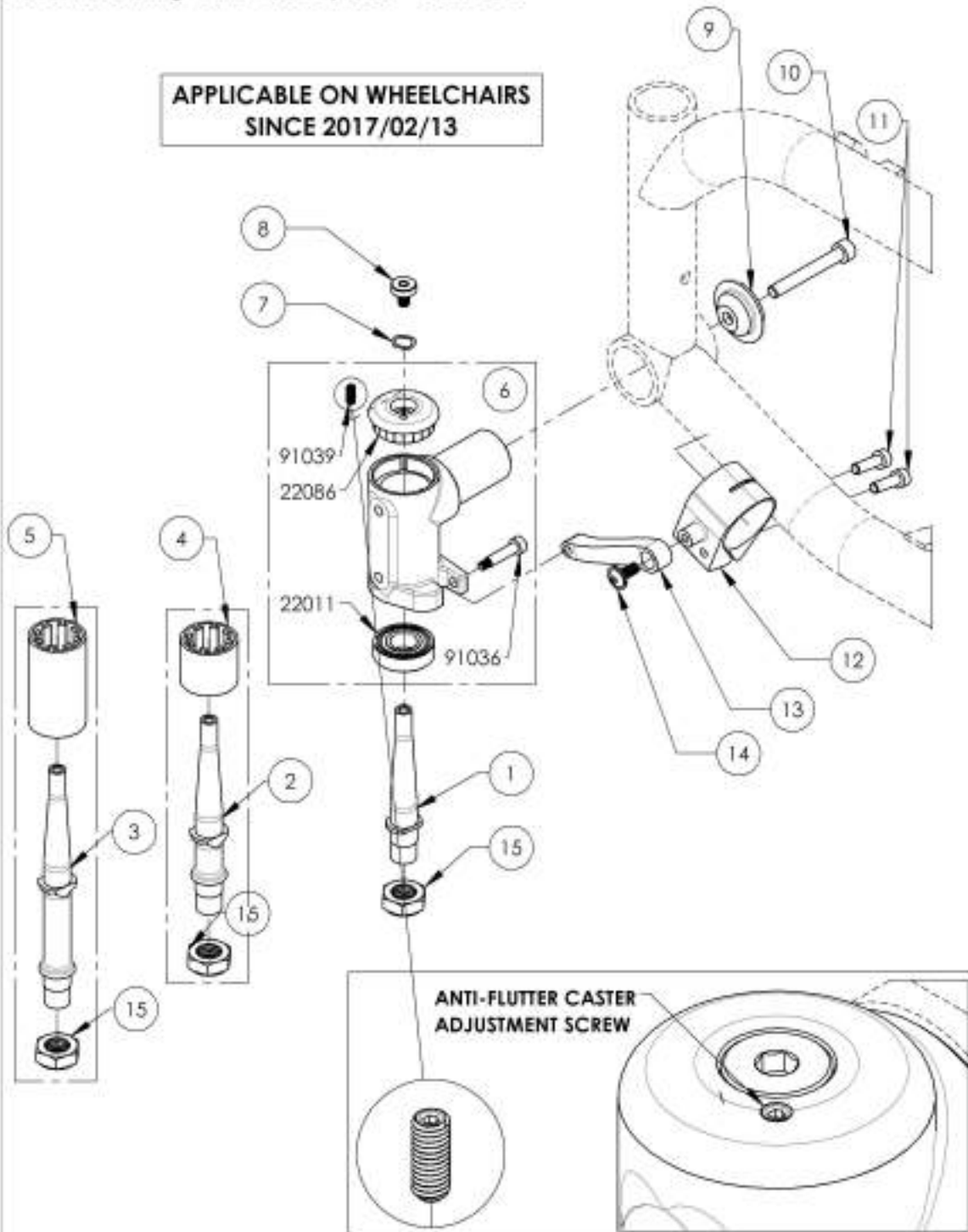


MAKE SURE TO HAVE YOUR SERIAL NUMBER  
NEARBY WHEN ORDERING PARTS FOR YOUR  
MOTION COMPOSITES WHEELCHAIR

**9001442\_9001444**

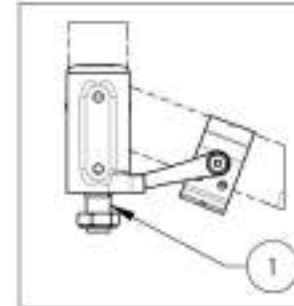
**Caster Housing - Anti-Flutter, Left + Stem Bolt**

APPLICABLE ON WHEELCHAIRS  
SINCE 2017/02/13

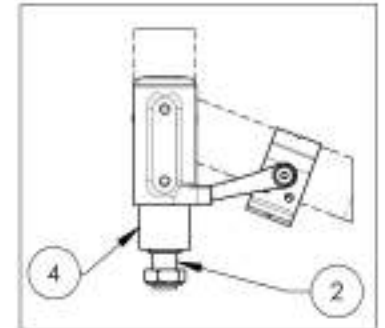


ITEM NO.	PARTNO	DESCRIPTION	9001442 /QTY.	9001443 /QTY.	9001444 /QTY.
1	22090	STEM BOLT STD	1	-	-
2	22091	STEM BOLT + 1 in	-	1	-
3	22092	STEM BOLT + 2 in	-	-	1
4	22149	STEM BOLT COVER +1 in	-	1	-
5	22150	STEM BOLT COVER +2 in	-	-	1
6	22093	BEARING HOUSING - LEFT (M) - ASSEMBLY	1	1	1
7	22095	TRIPLE-WAVE STEEL WASHER 0.320in ID, 0.437in OD	1	1	1
8	91038	STEM BOLT TOP SCREW	1	1	1
9	22009	HOUSING SIDE CAP	1	1	1
10	90777	SOCKET CAP SCREW M6X1 X 45mm LONG, 24mm THREADED + BLUE TREADLOCKER - BLACK ZINC	1	1	1
11	90748	SOCKET CAP SCREW M5X0.8 X 18mm LONG, FULLY THREADED + BLUE TREADLOCKER - BLACK ZINC	2	2	2
12	22062	FRONT WHEEL CLAMP V2	1	1	1
13	22053	TORQUE ARM V2	1	1	1
14	90993	FLANGE BUTTON HEAD CAP SCREW, M5X8 X 12mm + BLUE TREADLOCKER	1	1	1
15	90992	M12 LOW NYLON LOCK	1	1	1

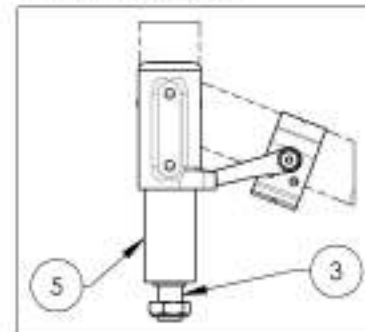
9001442  
Caster Housing - Anti-Flutter,  
Left, STD Stem Bolt



9001443  
Caster Housing - Anti-Flutter,  
Left, +1 in Stem Bolt



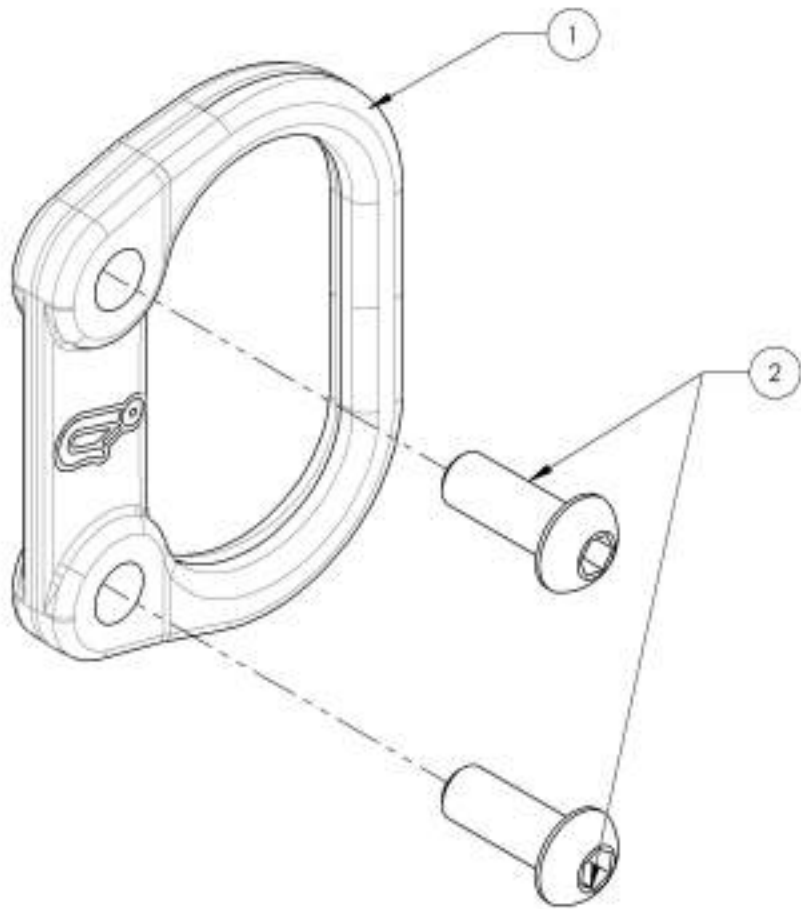
9001444  
Caster Housing - Anti-Flutter,  
Left, +2 in Stem Bolt



MAKE SURE TO HAVE YOUR SERIAL NUMBER  
NEARBY WHEN ORDERING PARTS FOR YOUR  
MOTION COMPOSITES WHEELCHAIR

**9001622**  
**Tie Down - Front, Wheelchair Transit**

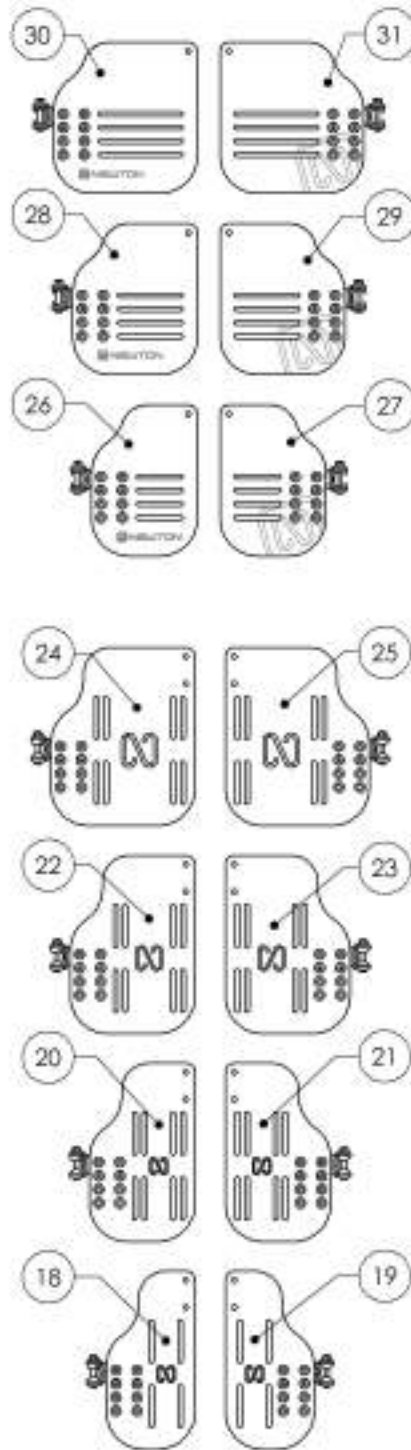
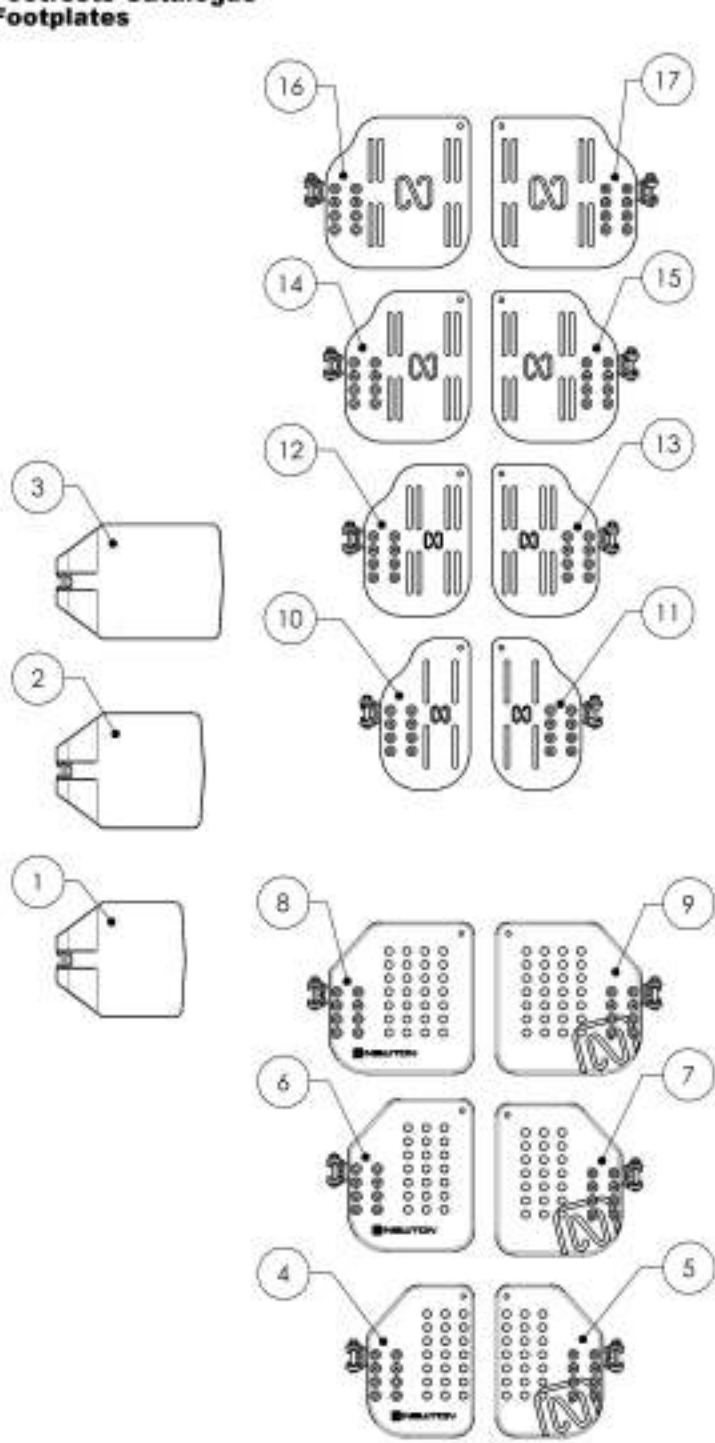
ITEM NO.	PARTNO	DESCRIPTION	9001622 /QTY.
1	22004	FRONT TIE DOWN	1
2	9065F	BUTTON HEAD CAP SCREW M6X1 X 16mm LONG, FULLY THREADED + BLUE THREADLOCKER - BLACK, ZINC	2



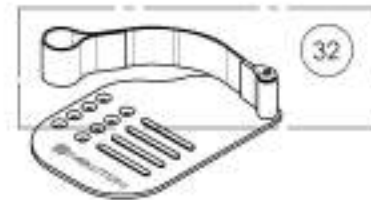
MAKE SURE TO HAVE YOUR SERIAL NUMBER  
NEARBY WHEN ORDERING PARTS FOR YOUR  
MOTION COMPOSITES WHEELCHAIR



## Footrests Catalogue Footplates



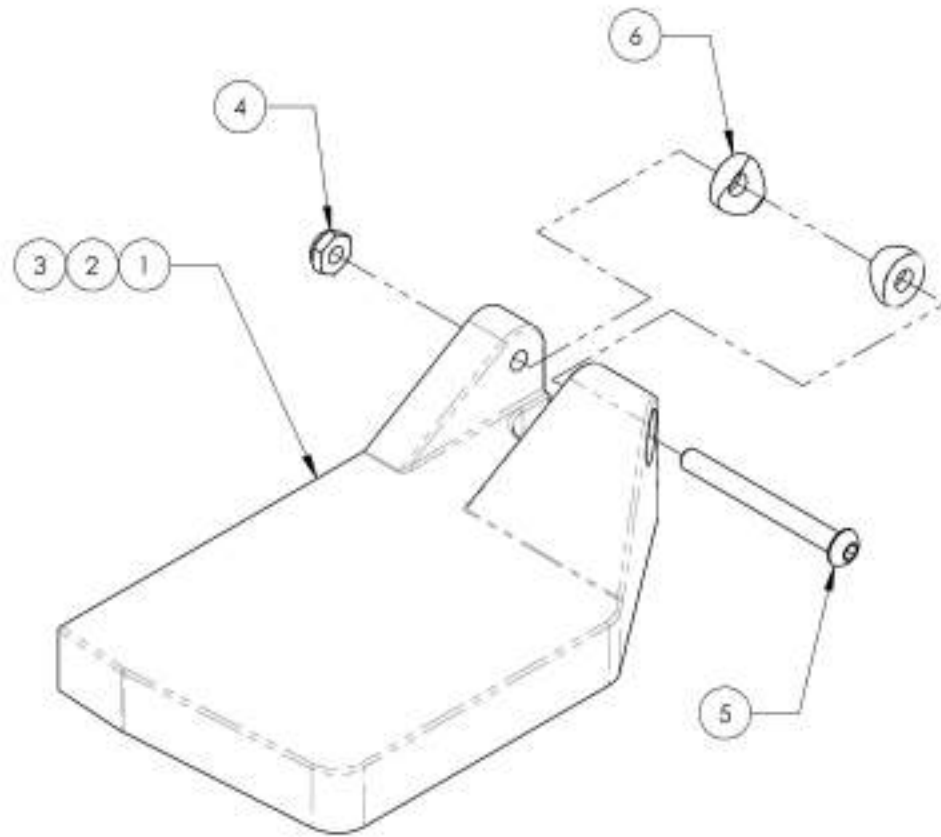
ITEM NO.	PARTNO	DESCRIPTION	QTY
1	9001360	Footplate - Composite, 6 x 6 in (Wheelchair Width: 14 to 16 in)	1
2	9001361	Footplate - Composite, 7 x 6 in (Wheelchair Width: 17 to 18 in)	1
3	9001362	Footplate - Composite, 8 x 6 in (Wheelchair Width: 19 in+)	1
4	9001430	Footplate - Plastic, Newton Angle Adjustable, Right, 5% x 8 in (Wheelchair Width: 14 to 16 in)	1
5	9001433	Footplate - Plastic, Newton Angle Adjustable, Left, 5% x 8 in (Wheelchair Width: 14 to 16 in)	1
6	9001431	Footplate - Plastic, Newton Angle Adjustable, Right, 6% x 8 in (Wheelchair Width: 17 to 18 in)	1
7	9001434	Footplate - Plastic, Newton Angle Adjustable, Left, 6% x 8 in (Wheelchair Width: 17 to 18 in)	1
8	9001432	Footplate - Plastic, Newton Angle Adjustable, Right, 7% x 8 in (Wheelchair Width: 19 in+)	1
9	9001435	Footplate - Plastic, Newton Angle Adjustable, Left, 7% x 8 in (Wheelchair Width: 19 in+)	1
10	9001363	Footplate - Aluminum, Angle Adjustable, Right, 4% x 8 in (Wheelchair Width: 12 to 13 in)	1
11	9001367	Footplate - Aluminum, Angle Adjustable, Left, 4% x 8 in (Wheelchair Width: 12 to 13 in)	1
12	9001364	Footplate - Aluminum, Angle Adjustable, Right, 5% x 8 in (Wheelchair Width: 14 to 16 in)	1
13	9001368	Footplate - Aluminum, Angle Adjustable, Left, 5% x 8 in (Wheelchair Width: 14 to 16 in)	1
14	9001365	Footplate - Aluminum, Angle Adjustable, Right, 6% x 8 in (Wheelchair Width: 17 to 18 in)	1
15	9001369	Footplate - Aluminum, Angle Adjustable, Left, 6% x 8 in (Wheelchair Width: 17 to 18 in)	1
16	9001366	Footplate - Aluminum, Angle Adjustable, Right, 7% x 8 in (Wheelchair Width: 19 in+)	1
17	9001370	Footplate - Aluminum, Angle Adjustable, Left, 7% x 8 in (Wheelchair Width: 19 in+)	1
18	9001398	Footplate - Aluminum, Newton Angle Adjustable, Right, 4% x 9% in (Wheelchair Width: 12 to 13 in)	1
19	9001400	Footplate - Aluminum, Newton Angle Adjustable, Left, 4% x 9% in (Wheelchair Width: 12 to 13 in)	1
20	9001399	Footplate - Aluminum, Newton Angle Adjustable, Right, 5% x 9% in (Wheelchair Width: 14 to 16 in)	1
21	9001401	Footplate - Aluminum, Newton Angle Adjustable, Left, 5% x 9% in (Wheelchair Width: 14 to 16 in)	1
22	9002869	Footplate - Aluminum, Newton Angle Adjustable, Right, 6% x 9% in (Wheelchair Width: 17 to 18 in)	1
23	9002871	Footplate - Aluminum, Newton Angle Adjustable, Left, 6% x 9% in (Wheelchair Width: 17 to 18 in)	1
24	9002870	Footplate - Aluminum, Newton Angle Adjustable, Right, 7% x 9% in (Wheelchair Width: 19 in+)	1
25	9002872	Footplate - Aluminum, Newton Angle Adjustable, Left, 7% x 9% in (Wheelchair Width: 19 in+)	1
26	9001384	Footplate - Carbon Fiber, Angle Adjustable, Right, 5% x 8 in (Wheelchair Width: 14 to 16 in)	1
27	9001387	Footplate - Carbon Fiber, Angle Adjustable, Left, 5% x 8 in (Wheelchair Width: 14 to 16 in)	1
28	9001385	Footplate - Carbon Fiber, Angle Adjustable, Right, 6% x 8 in (Wheelchair Width: 17 to 18 in)	1
29	9001388	Footplate - Carbon Fiber, Angle Adjustable, Left, 6% x 8 in (Wheelchair Width: 17 to 18 in)	1
30	9001386	Footplate - Carbon Fiber, Angle Adjustable, Right, 7% x 8 in (Wheelchair Width: 19 in+)	1
31	9001389	Footplate - Carbon Fiber, Angle Adjustable, Left, 7% x 8 in (Wheelchair Width: 19 in+)	1
32	9001411	Heel Loop - Length Adjustable	1



MAKE SURE TO HAVE YOUR SERIAL NUMBER NEARBY WHEN ORDERING PARTS FOR YOUR MOTION COMPOSITES WHEELCHAIR

**9001132\_9001134**  
**Footplate - Composite, Right**

ITEM NO.	PARTNO	DESCRIPTION	9001132 /QTY.	9001133 /QTY.	9001134 /QTY.
1	31275	COMPOSITE FOOTPLATE 6 x 4 in, RIGHT (WHEELCHAIR WIDTH: 14 -16 in)	1	-	-
2	31277	COMPOSITE FOOTPLATE 7 x 4 in, RIGHT (WHEELCHAIR WIDTH: 17-18 in)	-	1	-
3	31279	COMPOSITE FOOTPLATE 8 x 4 in, RIGHT (WHEELCHAIR WIDTH: 19 in +)	-	-	1
4	99510	THIN HEX LOCKNUT 1/4-20	1	1	1
5	90670	BUTTON HEAD CAP SCREW MAX1 X 58mm LONG, 24mm THREADED + BLUE THREADLOCKER - BLACK DMC	1	1	1
6	31062	COVERED WASHER 1_4 x 3_4	2	2	2



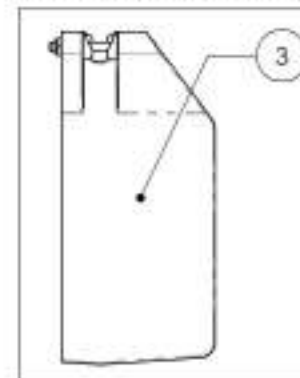
**9001132**  
 Footplate - Composite, Right, 6 x 4 in (Wheelchair Width: 14 to 16 in)



**9001133**  
 Footplate - Composite, Right, 7 x 4 in (Wheelchair Width: 17 to 18 in)



**9001134**  
 Footplate - Composite, Right, 8 x 4 in (Wheelchair Width: 19 in +)



MAKE SURE TO HAVE YOUR SERIAL NUMBER  
 NEARBY WHEN ORDERING PARTS FOR YOUR  
 MOTION COMPOSITES WHEELCHAIR

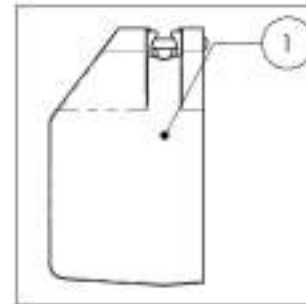
**9001135\_9001137**

**Footplate - Composite, Left**

ITEM NO.	PARTNO	DESCRIPTION	9001135 /QTY.	9001136 /QTY.	9001137 /QTY.
1	31276	COMPOSITE FOOTPLATE 6 x 4 in. LEFT (WHEELCHAIR WIDTH: 14-16 in)	1	-	-
2	31278	COMPOSITE FOOTPLATE 7 x 4 in. LEFT (WHEELCHAIR WIDTH: 17-18 in)	-	1	-
3	31280	COMPOSITE FOOTPLATE 8 x 4 in. LEFT (WHEELCHAIR WIDTH: 19 in +)	-	-	1
4	99510	THIN HEX LOCKNUT 1/4-20	1	1	1
5	90670	BUTTON HEAD CAP SCREW M4X1 X 58mm LONG, 24mm THREADED + BLUE THREADLOCKER - BLACK ZINC	1	1	1
6	31062	COVERED WASHER 1.4 x 3.4	2	2	2

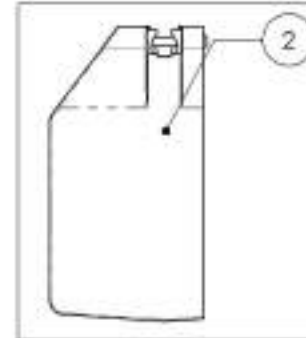
**9001135**

Footplate - Composite, Left, 6 x 4 in (Wheelchair Width: 14 to 16 in)



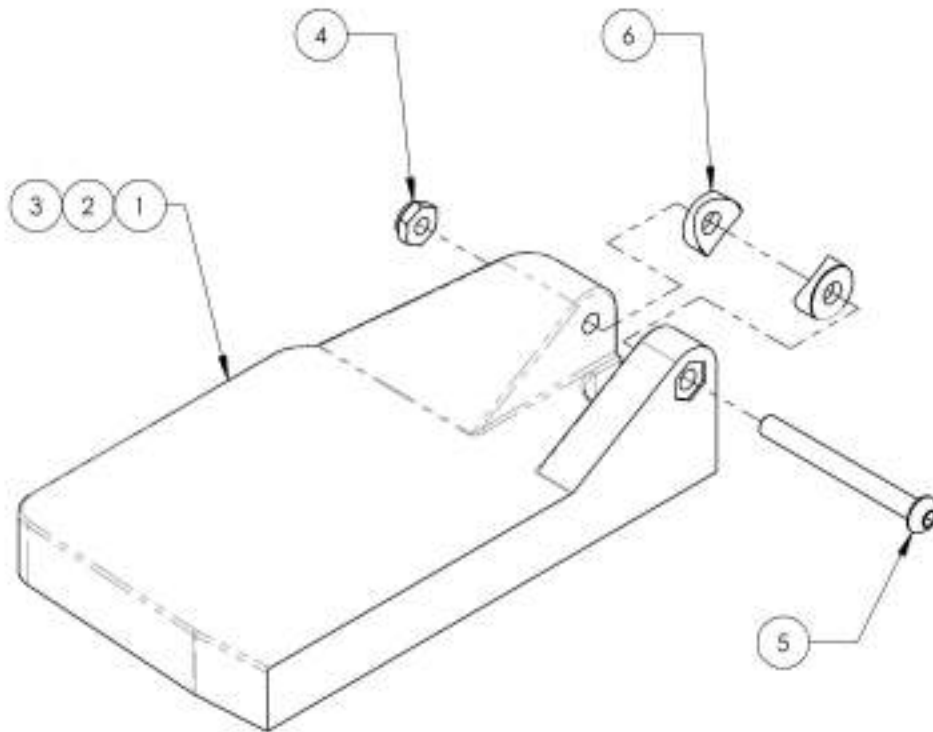
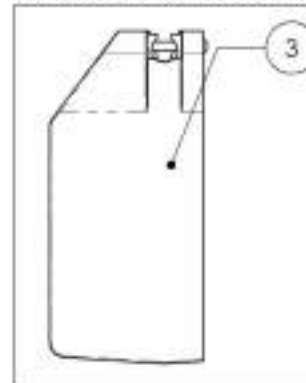
**9001136**

Footplate - Composite, Left, 7 x 4 in (Wheelchair Width: 17 to 18 in)



**9001137**

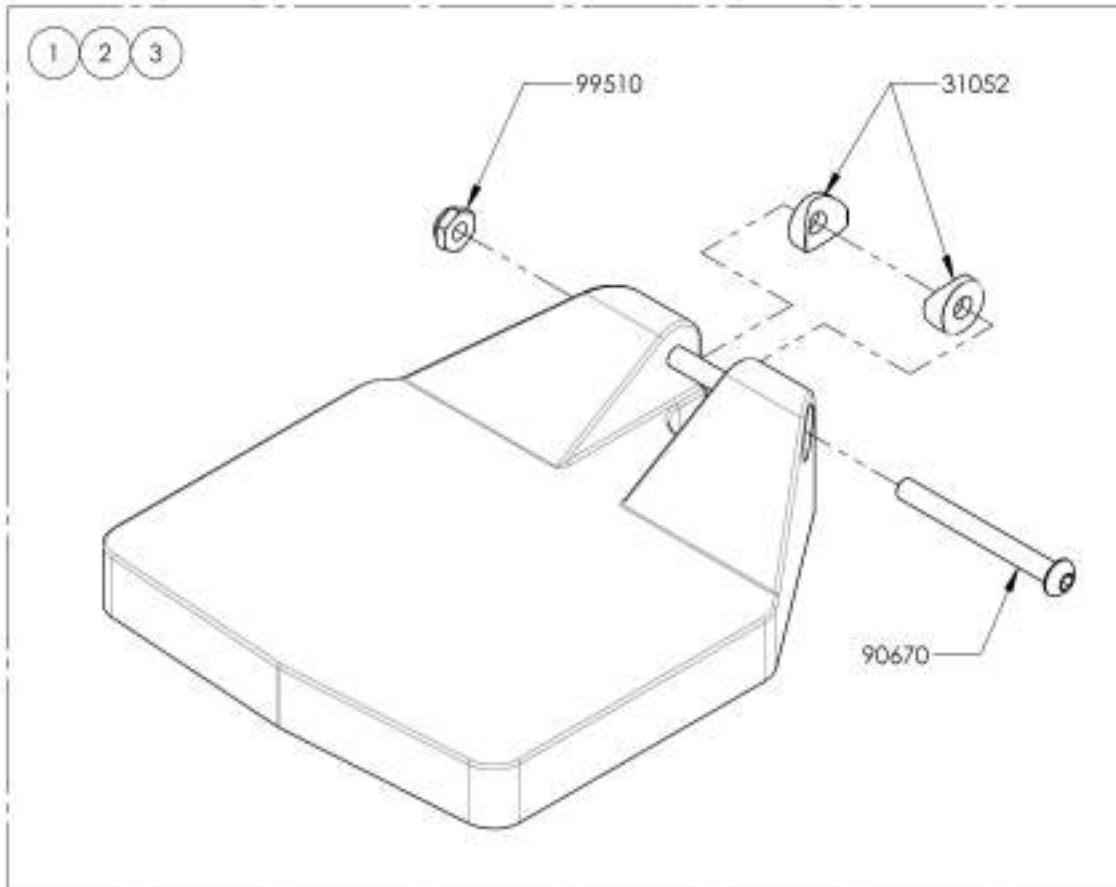
Footplate - Composite, Left, 8 x 4 in (Wheelchair Width: 19 in +)



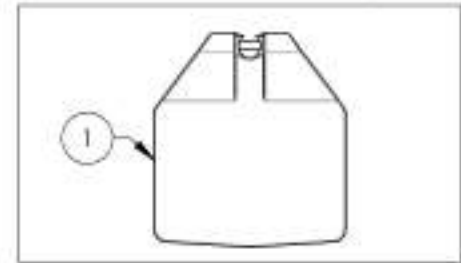
MAKE SURE TO HAVE YOUR SERIAL NUMBER NEARBY WHEN ORDERING PARTS FOR YOUR MOTION COMPOSITES WHEELCHAIR

**9001360\_9001362**  
**Footplate - Composite, 6 in Depth**

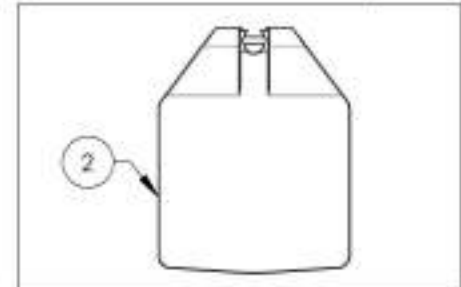
ITEM NO.	PARTNO	DESCRIPTION	9001360 /QTY.	9001361 /QTY.	9001362 /QTY.
1	31025	Standard Footplates (Wheelchair Width: 14-16 in)	1	-	-
2	31026	Standard Footplates (Wheelchair Width: 17-18 in)	-	1	-
3	31027	Standard Footplates (Wheelchair Width: 19 in +)	-	-	1



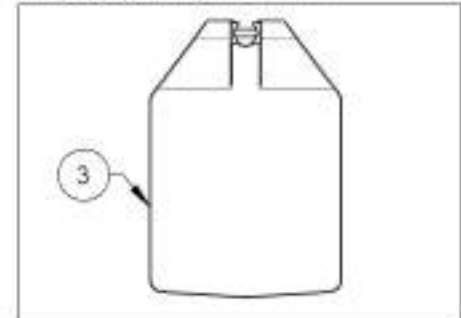
**9001360**  
 Footplate - Composite, 6 x 6 in  
 (Wheelchair Width: 14 to 16 in)



**9001361**  
 Footplate - Composite, 7 x 6 in  
 (Wheelchair Width: 17 to 18 in)



**9001362**  
 Footplate - Composite, 8 x 6 in  
 (Wheelchair Width: 19 in+)

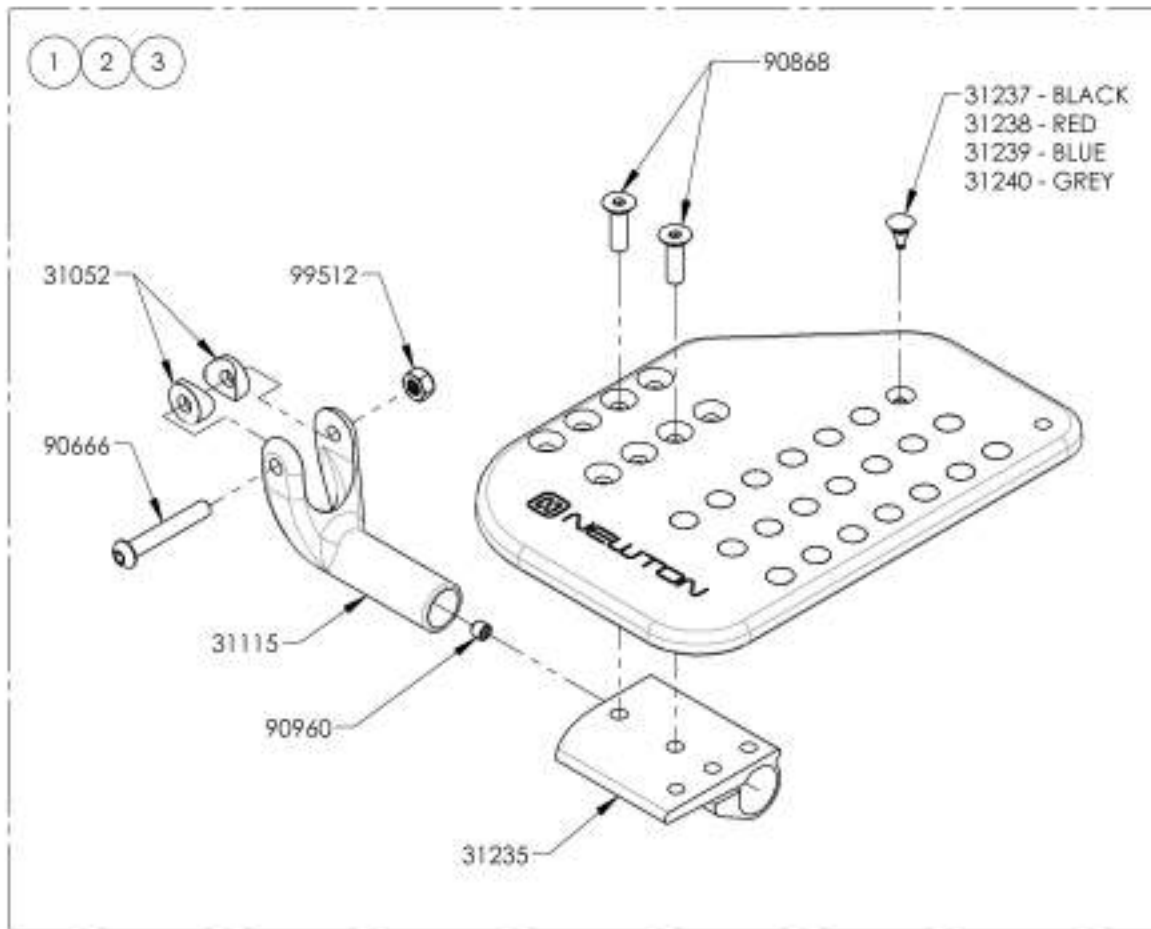


MAKE SURE TO HAVE YOUR SERIAL NUMBER  
 NEARBY WHEN ORDERING PARTS FOR YOUR  
 MOTION COMPOSITES WHEELCHAIR

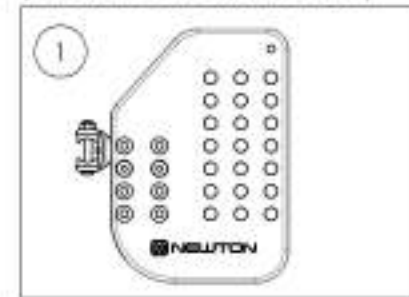
**9001430\_9001432**

**Footplate - Plastic, Newton Angle Adjustable, Right, 8 in Depth**

ITEM NO.	PART NO	DESCRIPTION	9001430 /QTY.	9001431 /QTY.	9001432 /QTY.
1	31589	14-16" PLASTIC ANGLE ADJUSTABLE FOOTPLATE RIGHT - ASSEMBLY	1	-	-
2	31591	17-18" PLASTIC ANGLE ADJUSTABLE FOOTPLATE RIGHT - ASSEMBLY	-	1	-
3	31593	19-20" PLASTIC ANGLE ADJUSTABLE FOOTPLATE RIGHT - ASSEMBLY	-	-	1



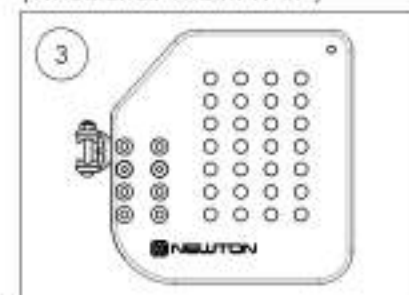
9001430  
Footplate - Plastic, Newton Angle Adjustable, Right, 5½ x 8 in (Wheelchair Width: 14 to 16 in)



9001431  
Footplate - Plastic, Newton Angle Adjustable, Right, 6½ x 8 in (Wheelchair Width: 17 to 18 in)



9001432  
Footplate - Plastic, Newton Angle Adjustable, Right, 7½ x 8 in (Wheelchair Width: 19 in+)

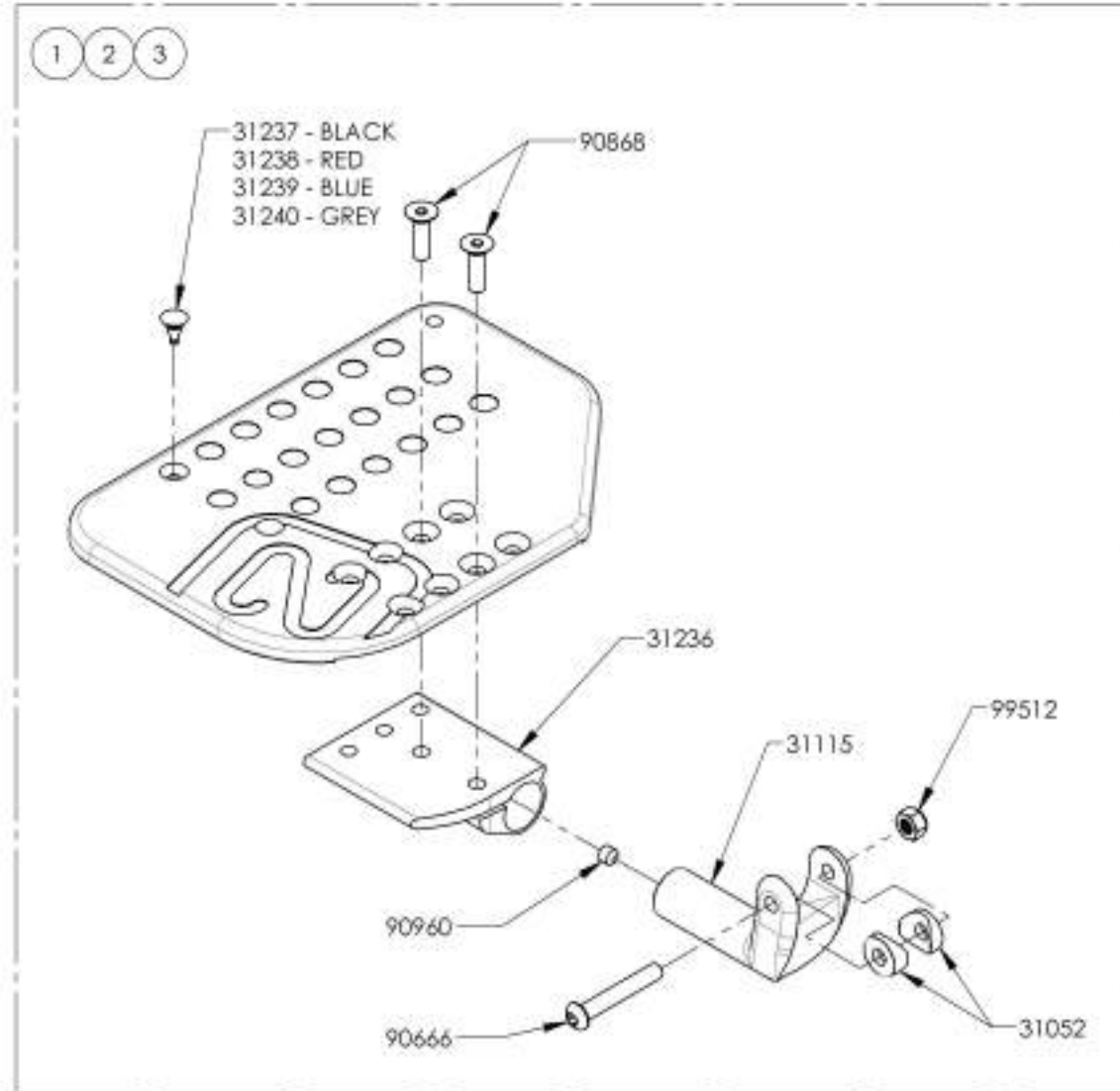


MAKE SURE TO HAVE YOUR SERIAL NUMBER NEARBY WHEN ORDERING PARTS FOR YOUR MOTION COMPOSITES WHEELCHAIR

**9001433\_9001435**

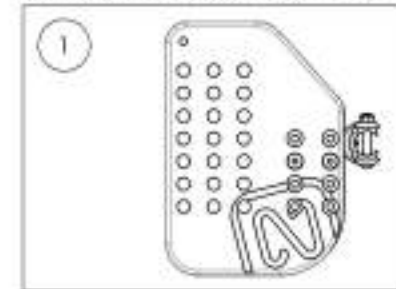
**Footplate - Plastic, Newton Angle adjustable, Left, 8 in Depth**

ITEM NO.	PARTNO	DESCRIPTION	9001433 /QTY.	9001434 /QTY.	9001435 /QTY.
1	31590	14-16" PLASTIC ANGLE ADJUSTABLE FOOTPLATE LEFT - ASSEMBLY	1	-	-
2	31592	17-18" PLASTIC ANGLE ADJUSTABLE FOOTPLATE LEFT - ASSEMBLY	-	1	-
3	31594	19-20" PLASTIC ANGLE ADJUSTABLE FOOTPLATE LEFT - ASSEMBLY	-	-	1



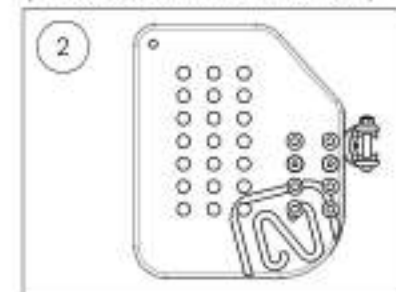
**9001433**

Footplate - Plastic, Newton Angle Adjustable, Left, 5 1/2 x 8 in [Wheelchair Width: 14 to 16 in]



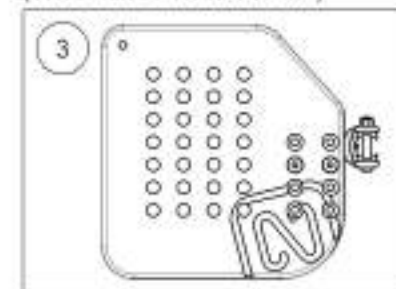
**9001434**

Footplate - Plastic, Newton Angle Adjustable, Left, 6 1/2 x 8 in [Wheelchair Width: 17 to 18 in]



**9001435**

Footplate - Plastic, Newton Angle Adjustable, Left, 7 1/2 x 8 in [Wheelchair Width: 19 in+]



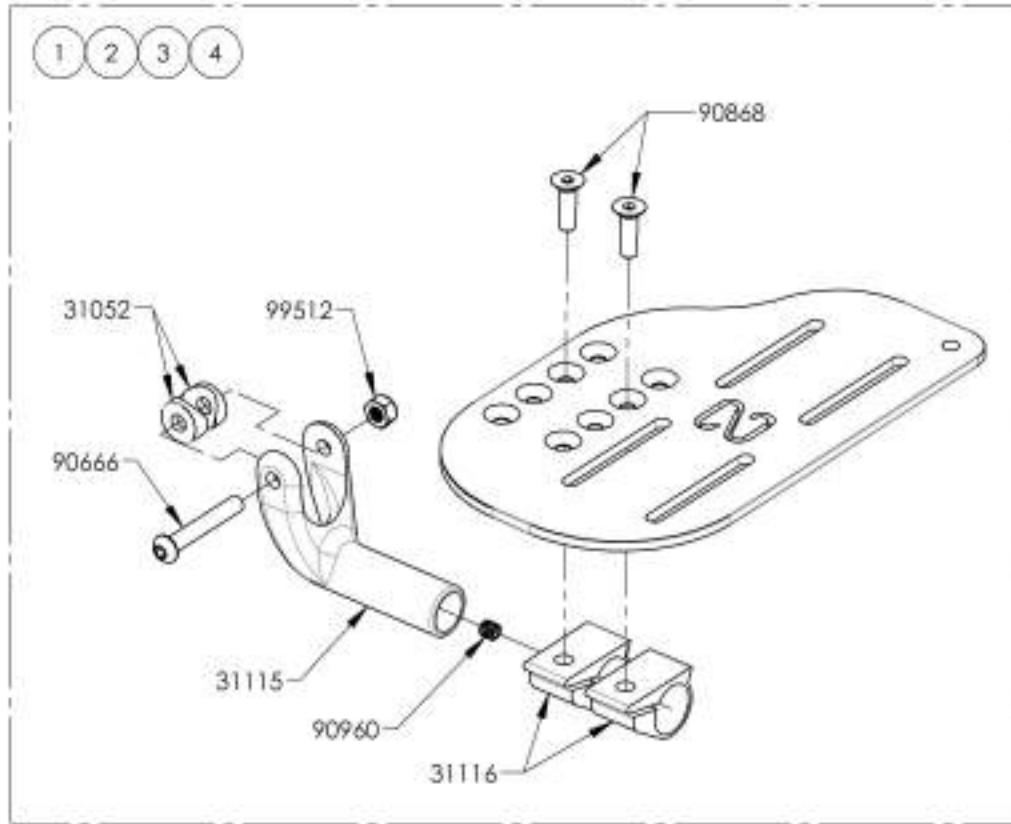
MAKE SURE TO HAVE YOUR SERIAL NUMBER NEARBY WHEN ORDERING PARTS FOR YOUR MOTION COMPOSITES WHEELCHAIR



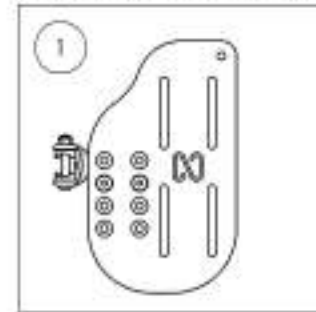
**9001363\_9001366**

**Footplate - Aluminium, Newton Angle Adjustable, Right, 8 in Depth**

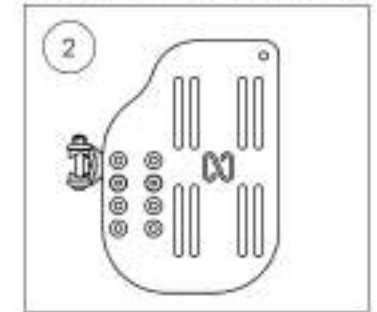
ITEM NO.	PARTNO	DESCRIPTION	9001363 /QTY.	9001364 /QTY.	9001365 /QTY.	9001366 /QTY.
1	31595	ADJUSTABLE NEWTON ALU FOOTPLATE 4.5 x 8 in, RIGHT (WC WIDTH 12-13 in) - ASSEMBLY	1	-	-	-
2	31597	ADJUSTABLE NEWTON ALU FOOTPLATE 5.5 x 8 in, RIGHT (WC WIDTH 14-16 in) - ASSEMBLY	-	1	-	-
3	31599	ADJUSTABLE NEWTON ALU FOOTPLATE 6.5 x 8 in, RIGHT (WC WIDTH 17-18 in) - ASSEMBLY	-	-	1	-
4	31601	ADJUSTABLE NEWTON ALU FOOTPLATE 7.5 x 8 in, RIGHT (WC WIDTH 19 in+) - ASSEMBLY	-	-	-	1



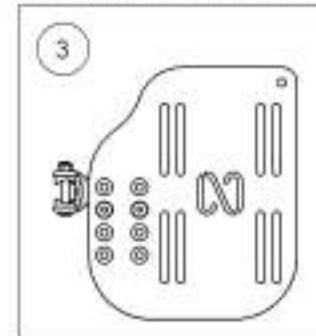
**9001363**  
Footplate - Aluminium, Newton Angle Adjustable, Right, 4½ x 8 in (Wheelchair Width: 12 to 13 in)



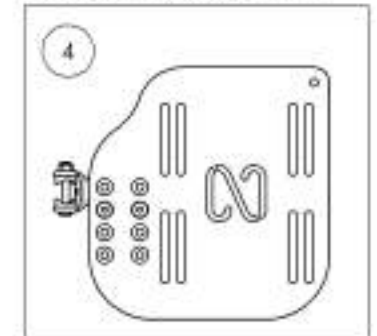
**9001364**  
Footplate - Aluminium, Newton Angle Adjustable, Right, 5½ x 8 in (Wheelchair Width: 14 to 16 in)



**9001365**  
Footplate - Aluminium, Newton Angle Adjustable, Right, 6½ x 8 in (Wheelchair Width: 17 to 18 in)



**9001366**  
Footplate - Aluminium, Newton Angle Adjustable, Right, 7½ x 8 in (Wheelchair Width: 19 in+)

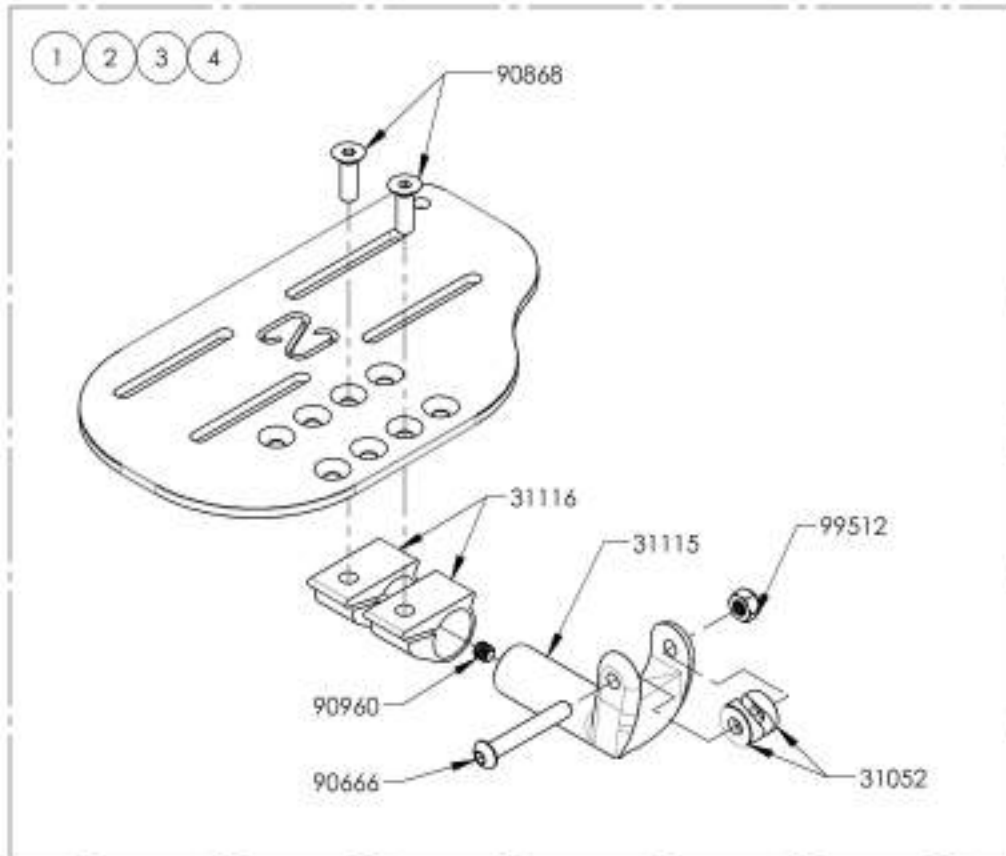


MAKE SURE TO HAVE YOUR SERIAL NUMBER NEARBY WHEN ORDERING PARTS FOR YOUR MOTION COMPOSITES WHEELCHAIR

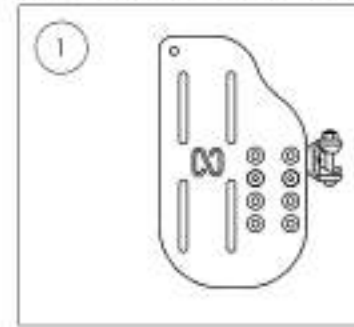
**9001367\_9001370**

**Footplate - Aluminium, Newton Angle Adjustable, Left, 8 in Depth**

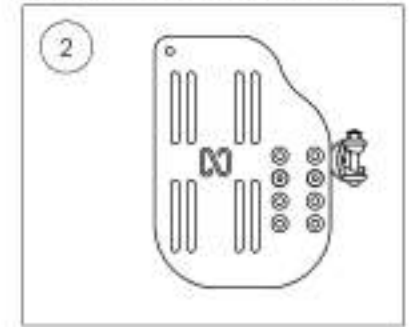
ITEM NO.	PARTNO	DESCRIPTION	9001367 /QTY.	9001368 /QTY.	9001369 /QTY.	9001370 /QTY.
1	31596	ADJUSTABLE NEWTON ALU FOOTPLATE 4.5 x 8 in. LEFT (WC WIDTH 12-13 in) - ASSEMBLY	1	-	-	-
2	31598	ADJUSTABLE NEWTON ALU FOOTPLATE 5.5 x 8 in. LEFT (WC WIDTH 14-16 in) - ASSEMBLY	-	1	-	-
3	31600	ADJUSTABLE NEWTON ALU FOOTPLATE 6.5 x 8 in. LEFT (WC WIDTH 17-18 in) - ASSEMBLY	-	-	1	-
4	31602	ADJUSTABLE NEWTON ALU FOOTPLATE 7.5 x 8 in. LEFT (WC WIDTH 19 in +) - ASSEMBLY	-	-	-	1



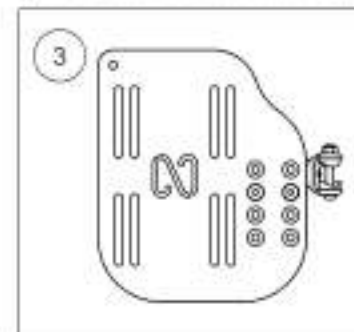
**9001367**  
Footplate - Aluminium, Newton Angle Adjustable, Left, 4½ x 8 in (Wheelchair Width: 12 to 13 in)



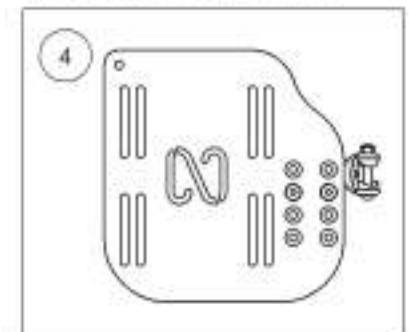
**9001368**  
Footplate - Aluminium, Newton Angle Adjustable, Left, 5½ x 8 in (Wheelchair Width: 14 to 16 in)



**9001369**  
Footplate - Aluminium, Newton Angle Adjustable, Left, 6½ x 8 in (Wheelchair Width: 17 to 18 in)



**9001370**  
Footplate - Aluminium, Newton Angle Adjustable, Left, 7½ x 8 in (Wheelchair Width: 19 in +)

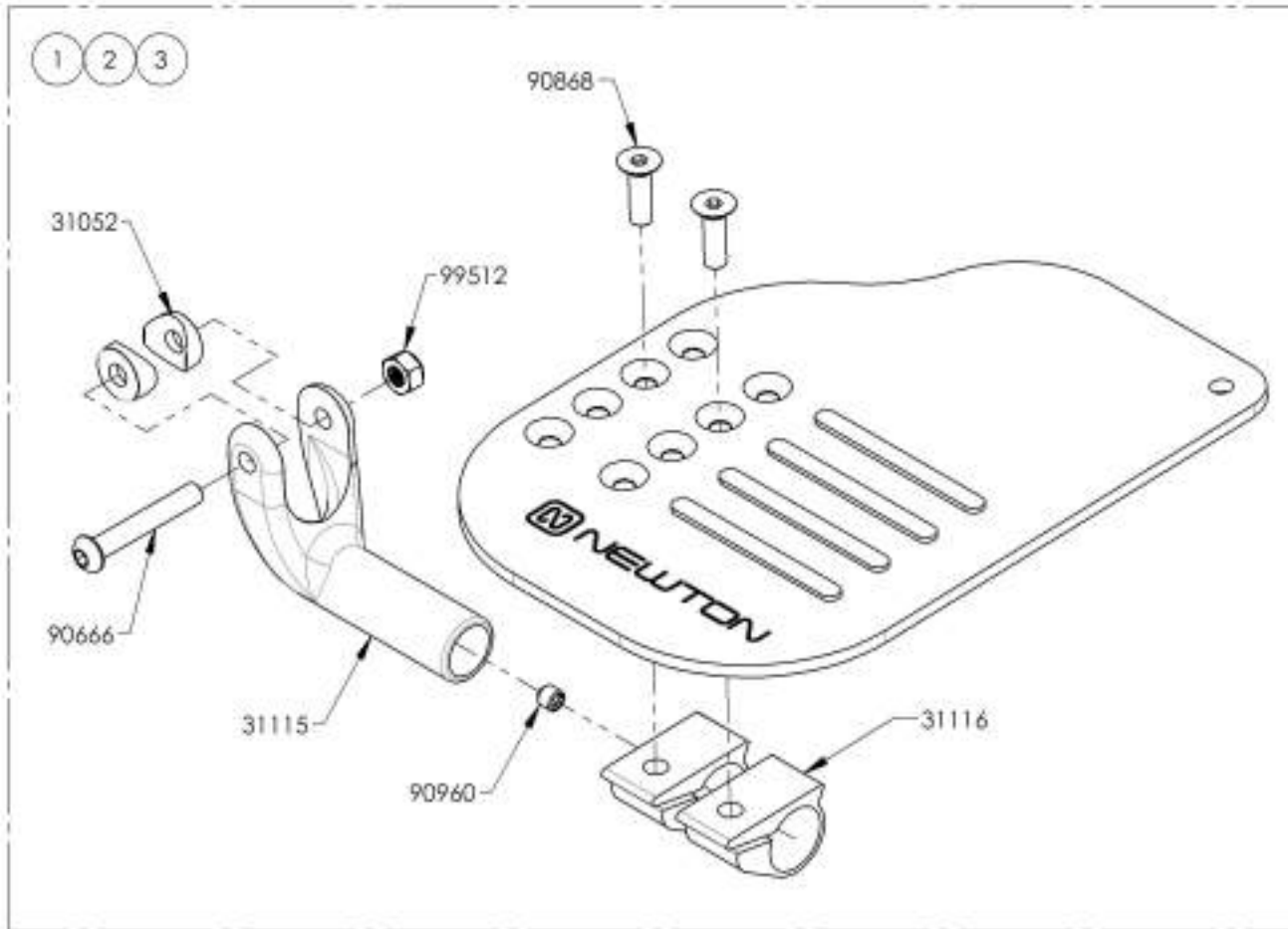


MAKE SURE TO HAVE YOUR SERIAL NUMBER NEARBY WHEN ORDERING PARTS FOR YOUR MOTION COMPOSITES WHEELCHAIR

**9001384\_9001386**

**Footplate - Carbon Fiber, Angle Adjustable, Right, 8 in Depth**

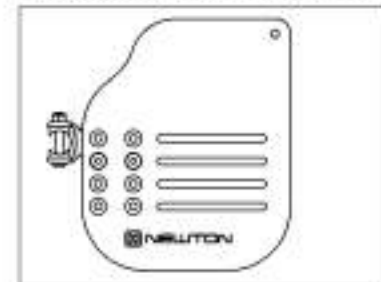
ITEM NO.	PARTNO	DESCRIPTION	9001384 /QTY.	9001385 /QTY.	9001386 /QTY.
1	31607	ADJUSTABLE NEWTON CARBON FOOTPLATE 5.5 x 8 in, RIGHT (WHEELCHAIR WIDTH 14-16 in) - ASSEMBLY	1	-	-
2	31609	ADJUSTABLE NEWTON CARBON FOOTPLATE 6.5 x 8 in, RIGHT (WHEELCHAIR WIDTH 17-18 in) - ASSEMBLY	-	1	-
3	31611	ADJUSTABLE NEWTON CARBON FOOTPLATE 7.5 x 8 in, RIGHT (WHEELCHAIR WIDTH 19 in+) - ASSEMBLY	-	-	1



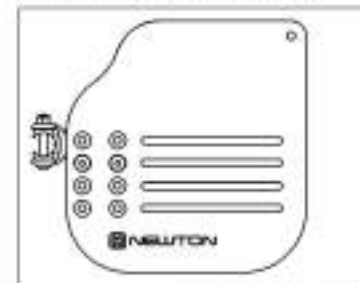
9001384  
Footplate - Carbon Fiber, Angle Adjustable, Right, 5½ x 8 in (Wheelchair Width: 14 to 16 in)



9001385  
Footplate - Carbon Fiber, Angle Adjustable, Right, 6½ x 8 in (Wheelchair Width: 17 to 18 in)



9001386  
Footplate - Carbon Fiber, Angle Adjustable, Right, 7½ x 8 in (Wheelchair Width: 19 in+)

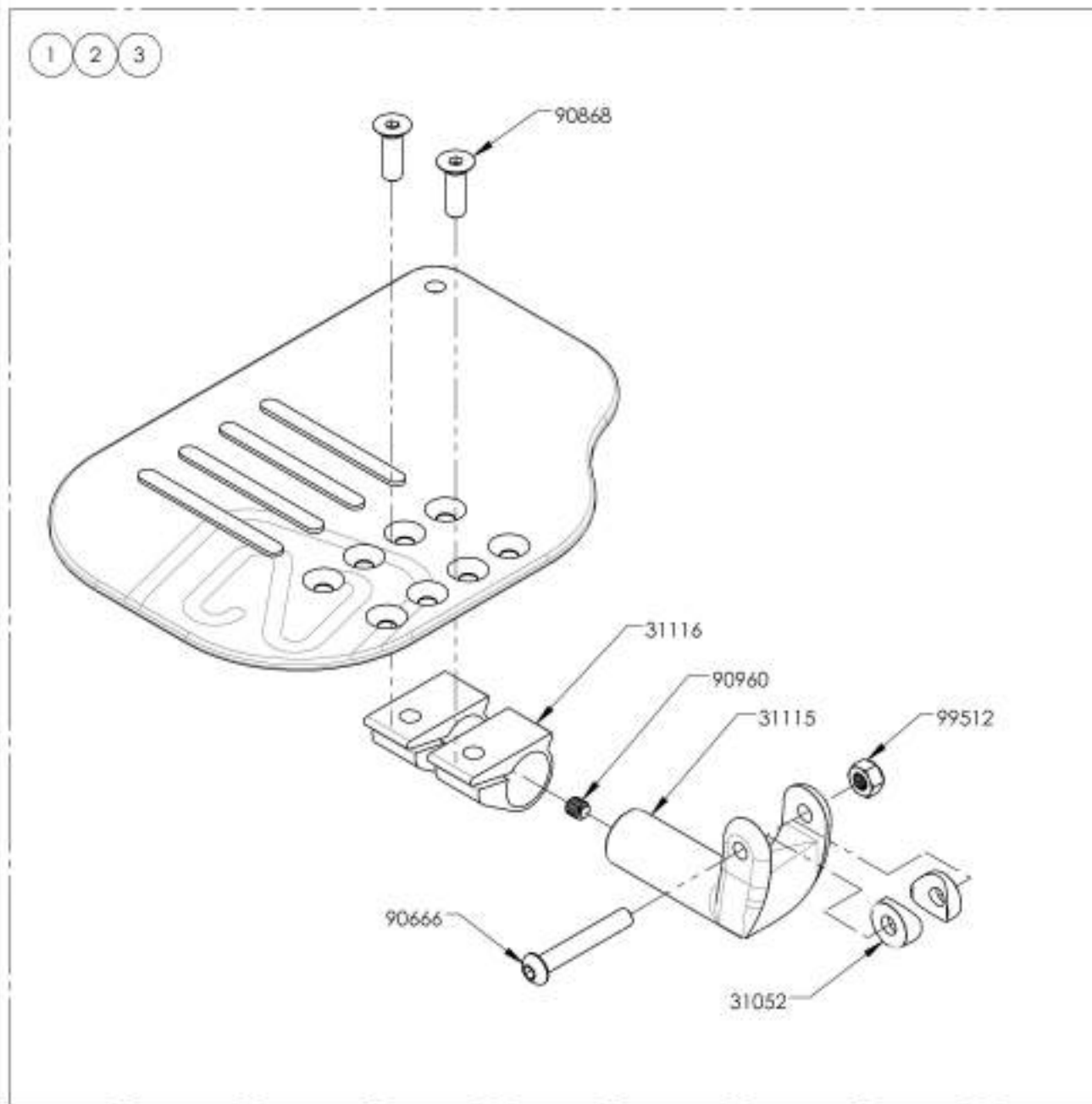


MAKE SURE TO HAVE YOUR SERIAL NUMBER NEARBY WHEN ORDERING PARTS FOR YOUR MOTION COMPOSITES WHEELCHAIR

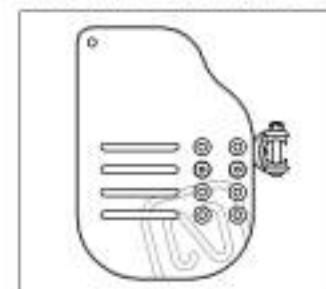
**9001387\_9001389**

**Footplate - Carbon Fiber, Angle adjustable, Left, 8 in Depth**

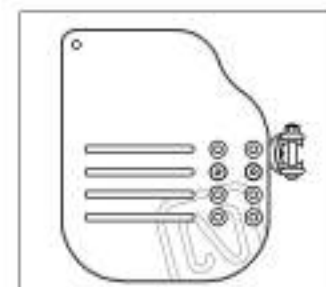
ITEM NO.	PARTNO	DESCRIPTION	9001387 /QTY.	9001388 /QTY.	9001389 /QTY.
1	31608	ADJUSTABLE NEWTON CARBON FOOTPLATE 5.5 x 8 in, LEFT (WHEELCHAIR WIDTH 14-16 in) - ASSEMBLY	1	-	-
2	31610	ADJUSTABLE NEWTON CARBON FOOTPLATE 6.5 x 8 in, LEFT (WHEELCHAIR WIDTH 17-18 in) - ASSEMBLY	-	1	-
3	31612	ADJUSTABLE NEWTON CARBON FOOTPLATE 7.5 x 8 in, LEFT (WHEELCHAIR WIDTH 19 in+) - ASSEMBLY	-	-	1



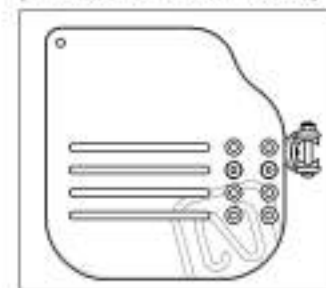
**9001387**  
Footplate - Carbon Fiber, Angle Adjustable, Left, 5½ x 8 in (Wheelchair Width: 14 to 16 in)



**9001388**  
Footplate - Carbon Fiber, Angle Adjustable, Left, 6½ x 8 in (Wheelchair Width: 17 to 18 in)



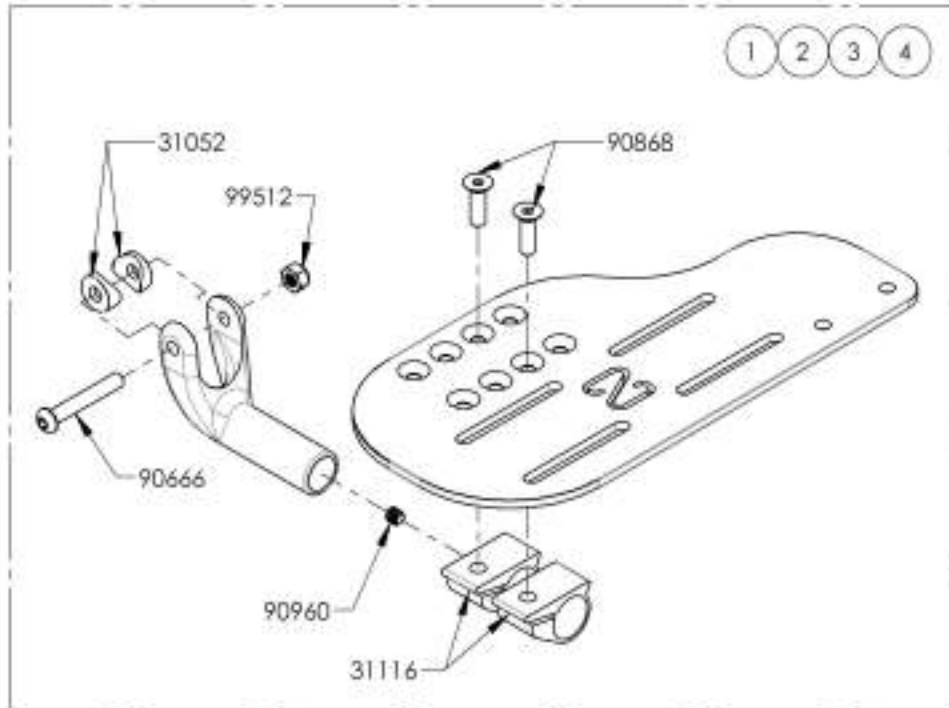
**9001389**  
Footplate - Carbon Fiber, Angle Adjustable, Left, 7½ x 8 in (Wheelchair Width: 19 in+)



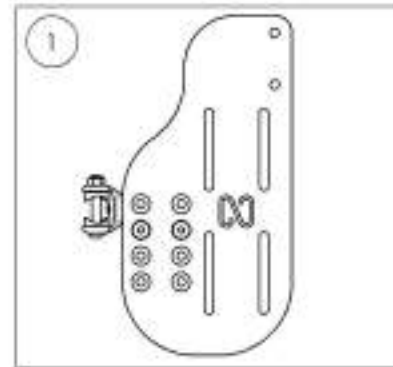
MAKE SURE TO HAVE YOUR SERIAL NUMBER NEARBY WHEN ORDERING PARTS FOR YOUR MOTION COMPOSITES WHEELCHAIR

**9001398\_9001399 & 9002869\_9002870**  
**Footplate - Aluminium, Newton Angle Adjustable, Right, 9 1/2 in Depth**

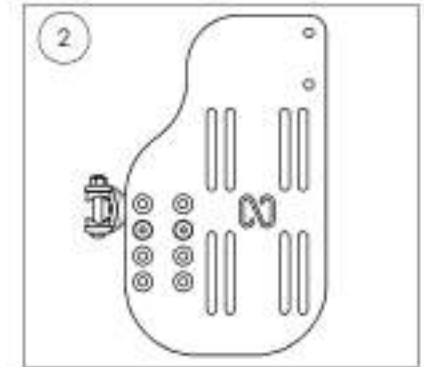
ITEM NO.	PART NO	DESCRIPTION	9001398 /QTY.	9001399 /QTY.	9002869 /QTY.	9002870 /QTY.
1	31 603	ADJUSTABLE NEWTON ALU FOOTPLATE 4.5 x 9.5 in. RIGHT (WHEELCHAIR WIDTH 12-13 in) - ASSEMBLY	1	-	-	-
2	31 605	ADJUSTABLE NEWTON ALU FOOTPLATE 5.5 x 9.5 in. RIGHT (WHEELCHAIR WIDTH 14-16 in) - ASSEMBLY	-	1	-	-
3	31 630	ADJUSTABLE NEWTON ALU FOOTPLATE 6.5 x 9.5 in. RIGHT (WHEELCHAIR WIDTH 17-18 in) - ASSEMBLY	-	-	1	-
4	31 632	ADJUSTABLE NEWTON ALU FOOTPLATE 7.5 x 9.5 in. RIGHT (WHEELCHAIR WIDTH 19 in +) - ASSEMBLY	-	-	-	1



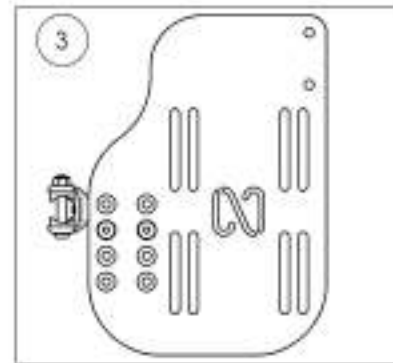
**9001398**  
 Footplate - Aluminium, Newton  
 Angle Adjustable, Right, 4 1/2 x 9 1/2 in  
 (Wheelchair Width: 12 to 13 in)



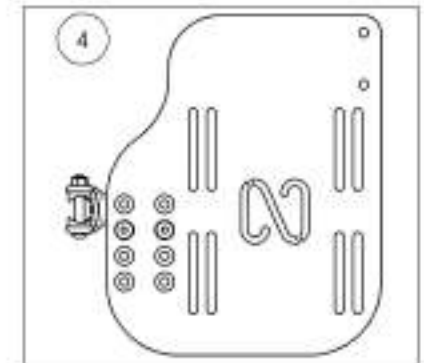
**9001399**  
 Footplate - Aluminium, Newton  
 Angle Adjustable, Right, 5 1/2 x 9 1/2 in  
 (Wheelchair Width: 14 to 16 in)



**9002869**  
 Footplate - Aluminium, Newton  
 Angle Adjustable, Right, 6 1/2 x 9 1/2 in  
 (Wheelchair Width: 17 to 18 in)



**9002870**  
 Footplate - Aluminium, Newton  
 Angle Adjustable, Right, 7 1/2 x 9 1/2 in  
 (Wheelchair Width: 19 in +)

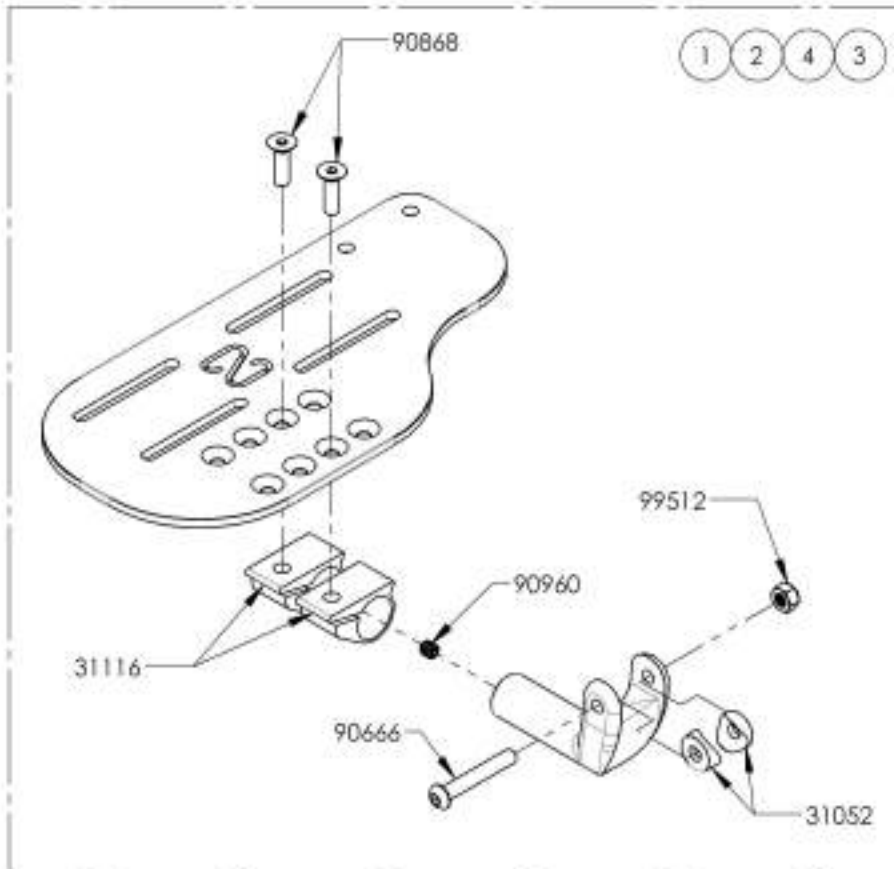


MAKE SURE TO HAVE YOUR SERIAL NUMBER  
 NEARBY WHEN ORDERING PARTS FOR YOUR  
 MOTION COMPOSITES WHEELCHAIR

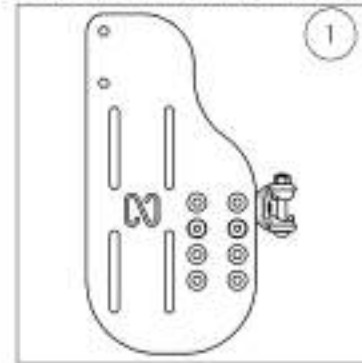
**9001400\_9001401 & 9002871\_9002872**

**Footplate - Aluminium, Newton Angle Adjustable, Left, 9 1/2 in Depth**

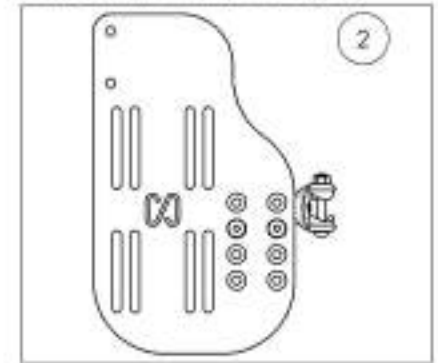
ITEM NO.	PARTNO	DESCRIPTION	9001400 /QTY.	9001401 /QTY.	9002871 /QTY.	9002872 /QTY.
1	31604	ADJUSTABLE NEWTON ALU FOOTPLATE 4.5 x 9.5 in, LEFT (WHEELCHAIR WIDTH 12-13 in) - ASSEMBLY	1	-	-	-
2	31606	ADJUSTABLE NEWTON ALU FOOTPLATE 5.5 x 9.5 in, LEFT (WHEELCHAIR WIDTH 14-16 in) - ASSEMBLY	-	1	-	-
3	31631	ADJUSTABLE NEWTON ALU FOOTPLATE 6.5 x 9.5 in, LEFT (WHEELCHAIR WIDTH 17-18 in) - ASSEMBLY	-	-	1	-
4	31633	ADJUSTABLE NEWTON ALU FOOTPLATE 7.5 x 9.5 in, LEFT (WHEELCHAIR WIDTH 19 in +) - ASSEMBLY	-	-	-	1



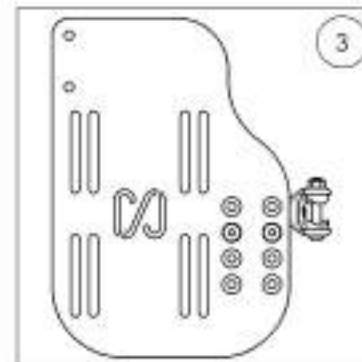
**9001400**  
Footplate - Aluminium, Newton Angle Adjustable, Left, 4 1/2 x 9 1/2 in (Wheelchair Width: 12 to 13 in)



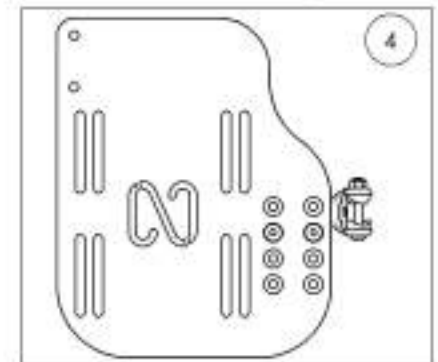
**9001401**  
Footplate - Aluminium, Newton Angle Adjustable, Left, 5 1/2 x 9 1/2 in (Wheelchair Width: 14 to 16 in)



**9002871**  
Footplate - Aluminium, Newton Angle Adjustable, Left, 6 1/2 x 9 1/2 in (Wheelchair Width: 17 to 18 in)



**9002872**  
Footplate - Aluminium, Newton Angle Adjustable, Left, 7 1/2 x 9 1/2 in (Wheelchair Width: 19 in +)

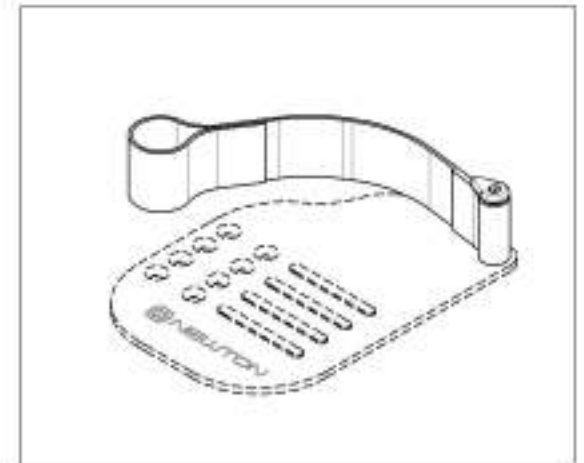
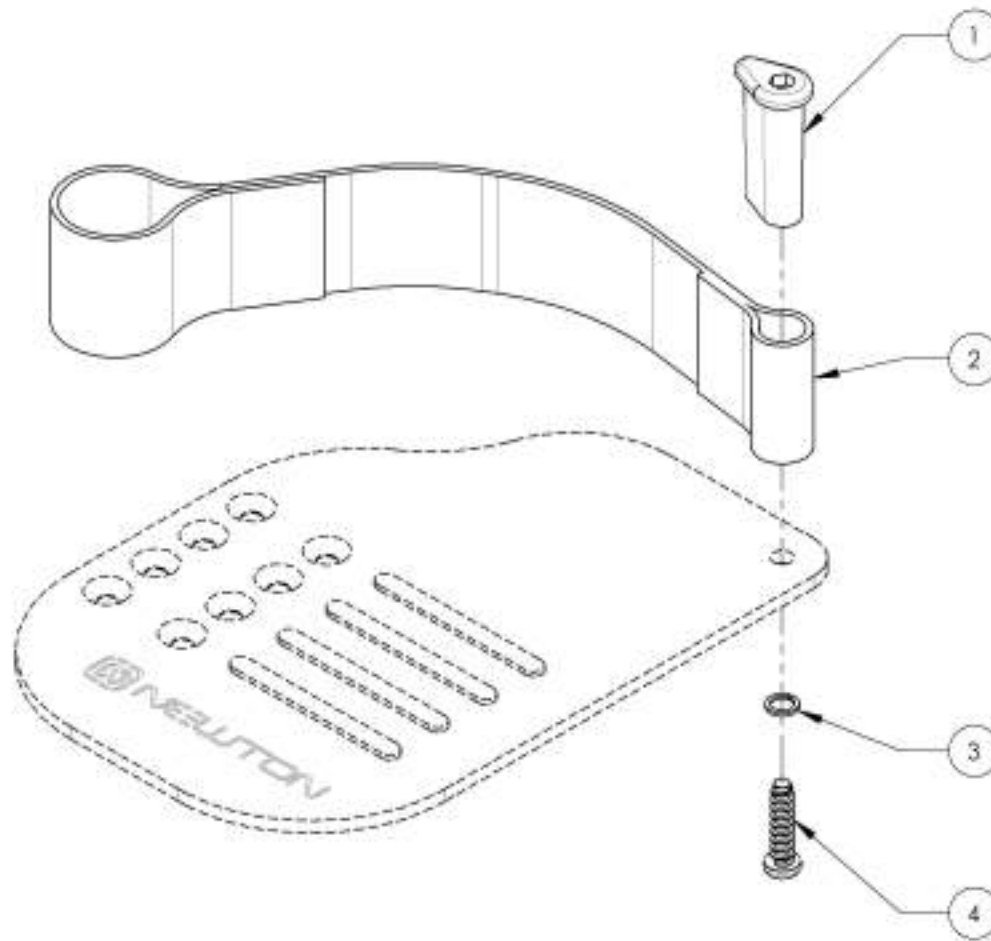


MAKE SURE TO HAVE YOUR SERIAL NUMBER NEARBY WHEN ORDERING PARTS FOR YOUR MOTION COMPOSITES WHEELCHAIR



**9001411**  
**Heel Loop - Length Adjustable**

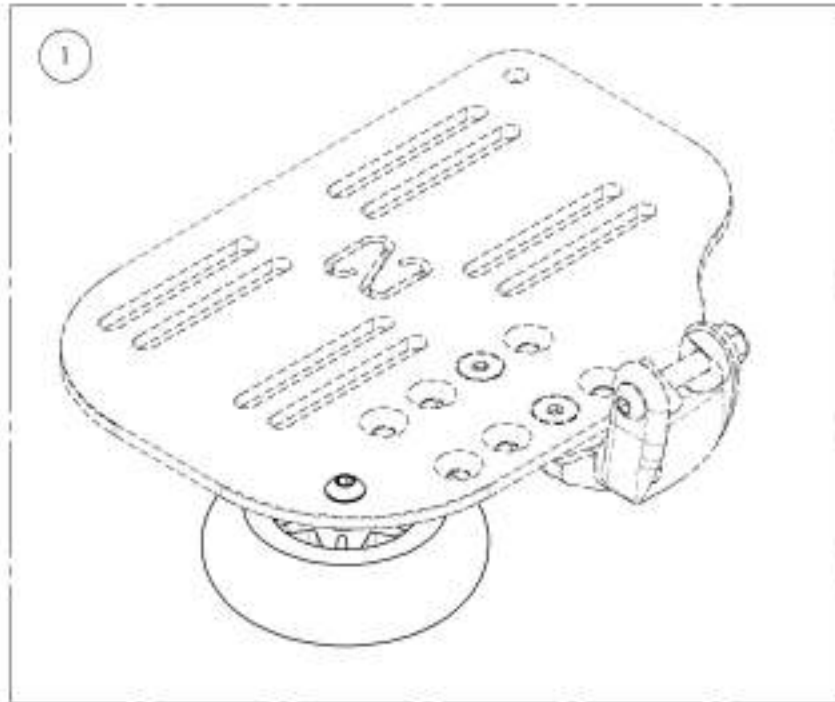
ITEM NO.	PARTNO	DESCRIPTION	9001411 /QTY.
1	31016	HEEL LOOP PIN (M)	1
2	31045	ADJUSTABLE HEEL LOOP	1
3	99559	COLLAR LOCKWASHER 1_4	1
4	91024	LOW PROFIL CAP SCREW M6 X 2,54 X 25mm	1



MAKE SURE TO HAVE YOUR SERIAL NUMBER  
NEARBY WHEN ORDERING PARTS FOR YOUR  
MOTION COMPOSITES WHEELCHAIR

**Footrests Catalogue**  
**Roller Bumper**

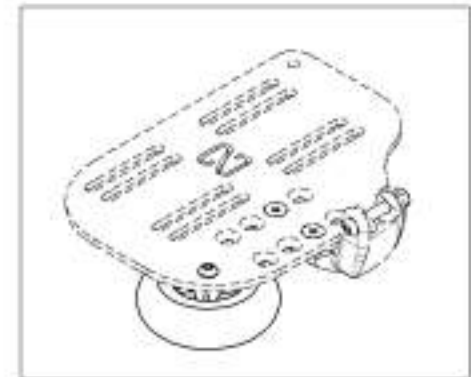
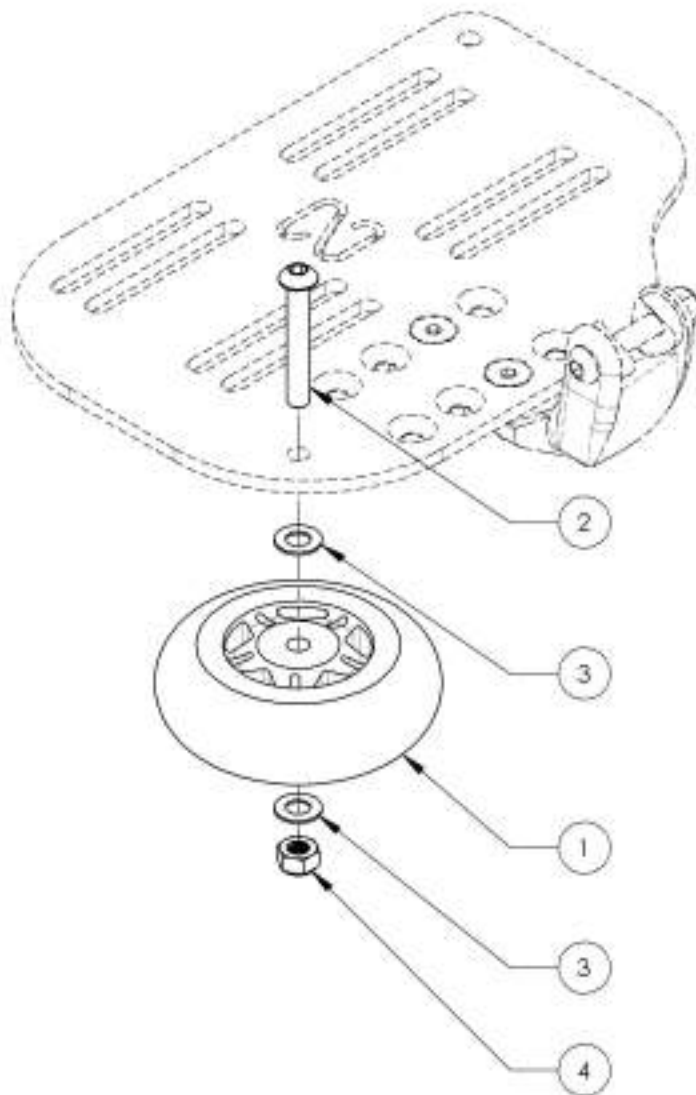
ITEM NO.	PARTNO	DESCRIPTION	QTY
1	9001753	Bumper - Roller Bumper, Front	1



MAKE SURE TO HAVE YOUR SERIAL NUMBER  
NEARBY WHEN ORDERING PARTS FOR YOUR  
MOTION COMPOSITES WHEELCHAIR

**9001753**  
**Bumper - Roller Bumper, Front**

ITEM NO.	PARTNO	DESCRIPTION	9001753 /QTY.
1	2201 6	3" x 1" STANDARD CASTER	1
2	90666	BUTTON HEAD CAP SCREW MAX1 X 40mm LONG, 24mm THREADED + BLUE THREADLOCKER - BLACK ZINC	1
3	99560	WASHER 1/4 17/64 ID X 1/2 OD X .032 THK.	2
4	9901 2	M6 LOW NYLON LOCK	1



MAKE SURE TO HAVE YOUR SERIAL NUMBER  
 NEARBY WHEN ORDERING PARTS FOR YOUR  
 MOTION COMPOSITES WHEELCHAIR

**Footrests Catalogue**  
**Footrests - Swing-In/Swing-Out**

**AVAILABLE COLORS**  
 (Specify Color)



ITEM NO.	PARTNO	DESCRIPTION	QTY
1	9002946	Footrest - Swing-In/Swing-Out, Right, 60°, Short Extension - Black	1
2	9002948	Footrest - Swing-In/Swing-Out, Left, 60°, Short Extension - Black	1
3	9002950	Footrest - Swing-In/Swing-Out, Right, 60°, Short Extension (Specify Color)	1
4	9002953	Footrest - Swing-In/Swing-Out, Left, 60°, Short Extension (Specify Color)	1
5	9002947	Footrest - Swing-In/Swing-Out, Right, 70°, Short Extension - Black	1
6	9002949	Footrest - Swing-In/Swing-Out, Left, 70°, Short Extension - Black	1
7	9002951	Footrest - Swing-In/Swing-Out, Right, 70°, Short Extension (Specify Color)	1
8	9002954	Footrest - Swing-In/Swing-Out, Left, 70°, Short Extension (Specify Color)	1
9	9003061	Footrest - Swing-In/Swing-Out, Right, 80°, Short Extension - Black	1
10	9003062	Footrest - Swing-In/Swing-Out, Left, 80°, Short Extension - Black	1
11	9003063	Footrest - Swing-In/Swing-Out, Right, 80°, Short Extension (Specify Color)	1
12	9003064	Footrest - Swing-In/Swing-Out, Left, 80°, Short Extension (Specify Color)	1
13	9001330	Footrest - Swing-In/Swing-Out, Right, 90°, Short Extension - Black	1
14	9001333	Footrest - Swing-In/Swing-Out, Left, 90°, Short Extension - Black	1
15	9001336	Footrest - Swing-In/Swing-Out, Right, 90°, Short Extension (Specify Color)	1
16	9001339	Footrest - Swing-In/Swing-Out, Left, 90°, Short Extension (Specify Color)	1

ITEM NO.	PARTNO	DESCRIPTION	QTY
17	9001328	Footrest - Swing-In/Swing-Out, Right, 60°, Long Extension - Black	1
18	9001331	Footrest - Swing-In/Swing-Out, Left, 60°, Long Extension - Black	1
19	9001334	Footrest - Swing-In/Swing-Out, Right, 60°, Long Extension (Specify Color)	1
20	9001337	Footrest - Swing-In/Swing-Out, Left, 60°, Long Extension (Specify Color)	1
21	9001329	Footrest - Swing-In/Swing-Out, Right, 70°, Long Extension - Black	1
22	9001332	Footrest - Swing-In/Swing-Out, Left, 70°, Long Extension - Black	1
23	9001335	Footrest - Swing-In/Swing-Out, Right, 70°, Long Extension (Specify Color)	1
24	9001338	Footrest - Swing-In/Swing-Out, Left, 70°, Long Extension (Specify Color)	1
25	9003065	Footrest - Swing-In/Swing-Out, Right, 80°, Long Extension - Black	1
26	9003066	Footrest - Swing-In/Swing-Out, Left, 80°, Long Extension - Black	1
27	9003067	Footrest - Swing-In/Swing-Out, Right, 80°, Long Extension (Specify Color)	1
28	9003068	Footrest - Swing-In/Swing-Out, Left, 80°, Long Extension (Specify Color)	1
29	9002916	Footrest - Swing-In/Swing-Out, Right, 90°, Long Extension - Black	1
30	9002917	Footrest - Swing-In/Swing-Out, Left, 90°, Long Extension - Black	1
31	9002955	Footrest - Swing-In/Swing-Out, Right, 90°, Long Extension (Specify Color)	1
32	9002952	Footrest - Swing-In/Swing-Out, Left, 90°, Long Extension (Specify Color)	1

**SHORT EXTENSION RANGE 60° & 70°**

- 13.5 - 17" (Cut 2 Segments)
- 14.5 - 18" (Cut 1 Segment)
- **15.5 - 19" (No Cut)\***

**SHORT EXTENSION RANGE 80°**

- 13.5 - 16" (Cut 2 Segments)
- 14.5 - 17" (Cut 1 Segment)
- **15.5 - 18" (No Cut)\***

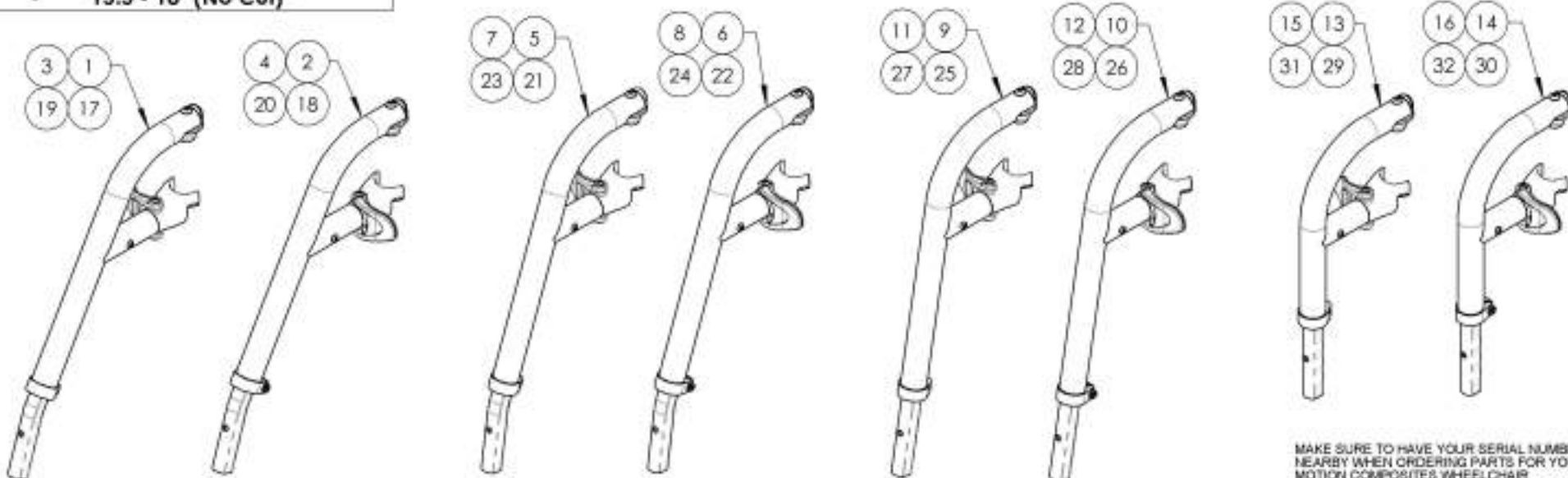
**LONG EXTENSION RANGE 60°, 70° & 80°**

- 14.5 - 19.5" (Cut 1 Segment)
- **15.5 - 20.5" (No Cut)\***

\*Parts will not be cut if not requested

**SHORT EXTENSION RANGE 90°**

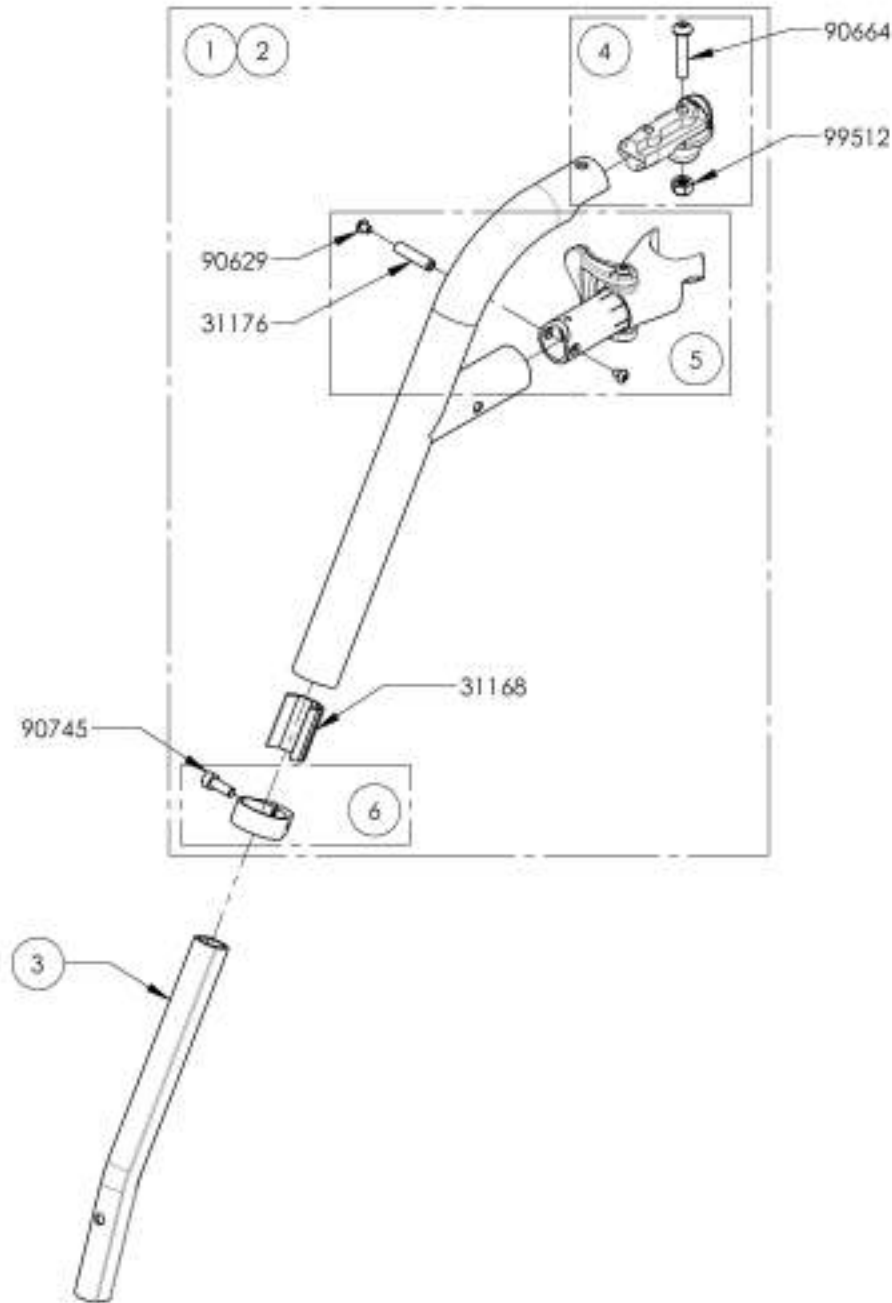
- 11.5 - 14" (No Cut)
- LONG EXTENSION RANGE 90°**
- 14 - 17" (No Cut)



MAKE SURE TO HAVE YOUR SERIAL NUMBER NEARBY WHEN ORDERING PARTS FOR YOUR MOTION COMPOSITES WHEELCHAIR

**9002946\_9002947**

**Footrest - Swing-In/Swing-Out, Right, 60° & 70°, Short Extension - Black**

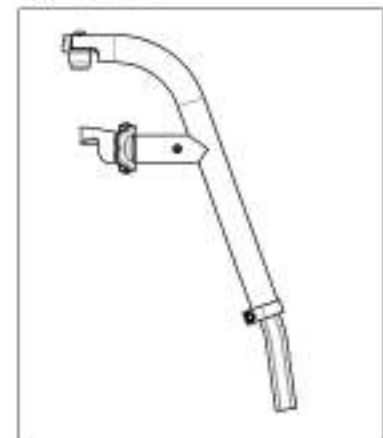


ITEM NO.	PARTNO	DESCRIPTION	9002946 /QTY.	9002947 /QTY.	REPLACEMENT PARTS/QTY.
1	31543	V2 60 DEG LEGREST, RIGHT - ASSEMBLY	1	-	-
2	31545	V2 70 DEG LEGREST, RIGHT - ASSEMBLY	-	1	-
3	31154	V2 FOOTREST SHORT EXTENSION	1	1	-
4	31551	V2 FOOTREST PIVOT - ASSEMBLY	-	-	1
5	31550	V2 FOOTREST HOUSING RIGHT - ASSEMBLY	-	-	1
6	31552	V2 FOOTREST EXTENSION RIGHT CLAMP - ASSEMBLY	-	-	1

9002946 -  
Footrest - Swing-In/Swing-Out,  
Right, 60°, Short Extension - Black



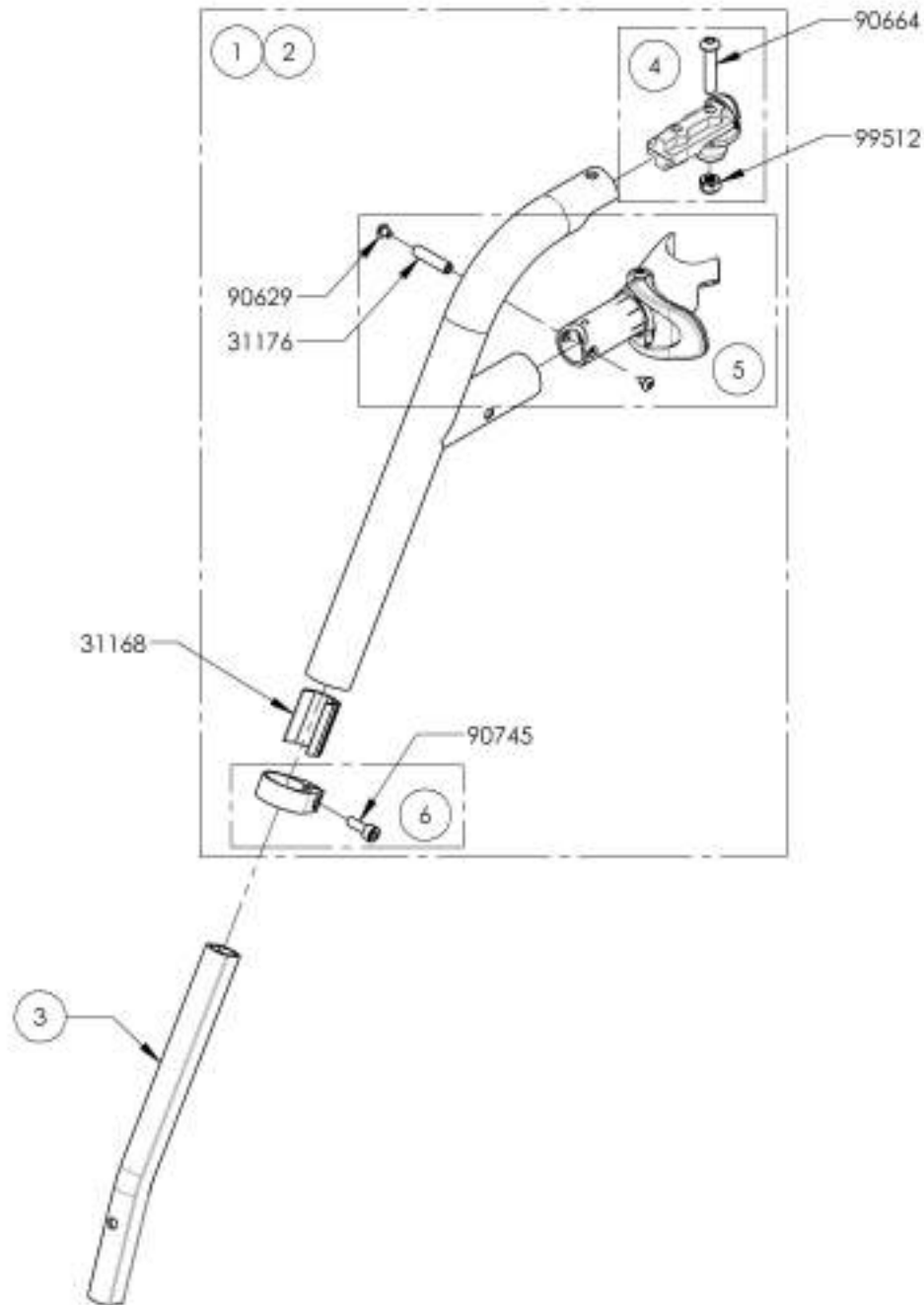
9002947 -  
Footrest - Swing-In/Swing-Out,  
Right, 70°, Short Extension - Black



MAKE SURE TO HAVE YOUR SERIAL NUMBER  
NEARBY WHEN ORDERING PARTS FOR YOUR  
MOTION COMPOSITES WHEELCHAIR

**9002948 9002949**

**Footrest - Swing-In/Swing-Out, Left, 60° & 70°, Short Extension - Black**



ITEM NO.	PART NO	DESCRIPTION	9002948 /QTY.	9002949 /QTY.	REPLACEMENT PARTS/QTY.
1	31544	V2 60 DEG LEGREST, LEFT - ASSEMBLY	1	-	-
2	31546	V2 70 DEG LEGREST, LEFT - ASSEMBLY	-	1	-
3	31154	V2 FOOTREST SHORT EXTENSION	1	1	-
4	31551	V2 FOOTREST PIVOT - ASSEMBLY	-	-	1
5	31549	V2 FOOTREST HOUSING LEFT - ASSEMBLY	-	-	1
6	31553	V2 FOOTREST EXTENSION LEFT CLAMP - ASSEMBLY	-	-	1

9002948 -  
Footrest - Swing-In/Swing-Out,  
Left, 60°, Short Extension - Black



9002949 -  
Footrest - Swing-In/Swing-Out,  
Left, 70°, Short Extension - Black

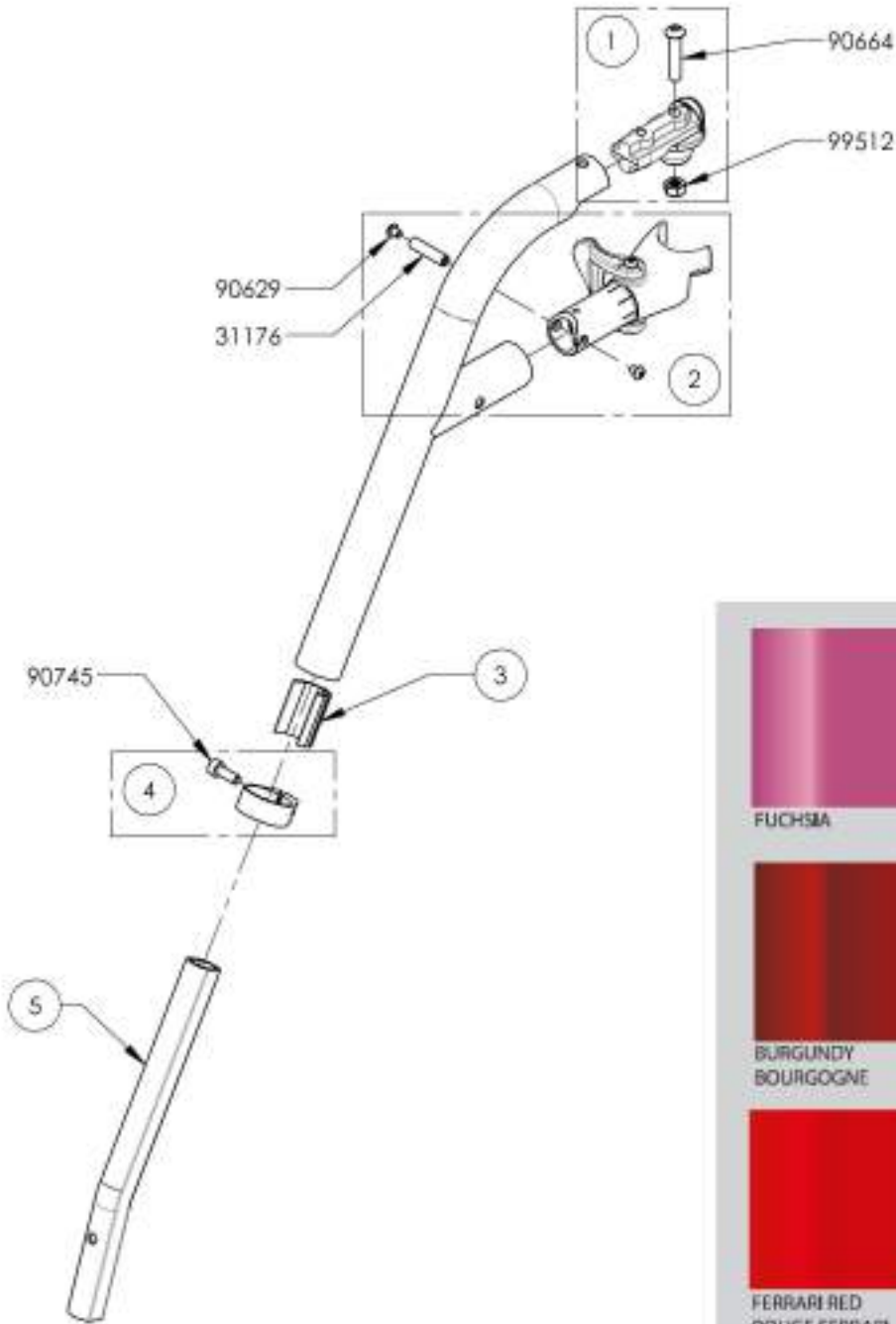


MAKE SURE TO HAVE YOUR SERIAL NUMBER  
NEARBY WHEN ORDERING PARTS FOR YOUR  
MOTION COMPOSITES WHEELCHAIR



**9002950\_9002951**  
**Footrest - Swing-In/Swing-Out, Right, 60° & 70°, Short Extension (Specify Color)**

ITEM NO.	PART NO.	DESCRIPTION	9002950 /QTY.	9002951 /QTY.
1	31551	V2 FOOTREST PIVOT - ASSEMBLY	1	1
2	31550	V2 FOOTREST HOUSING RIGHT - ASSEMBLY	1	1
3	31148	V2 FOOTREST GUIDE SLEEVE	1	1
4	31552	V2 FOOTREST EXTENSION RIGHT CLAMP - ASSEMBLY	1	1
5	31154	V2 FOOTREST SHORT EXTENSION	1	1



9002950 -  
 Footrest - Swing-In/Swing-Out,  
 Right, 60°, Short Extension  
 (Specify Color)



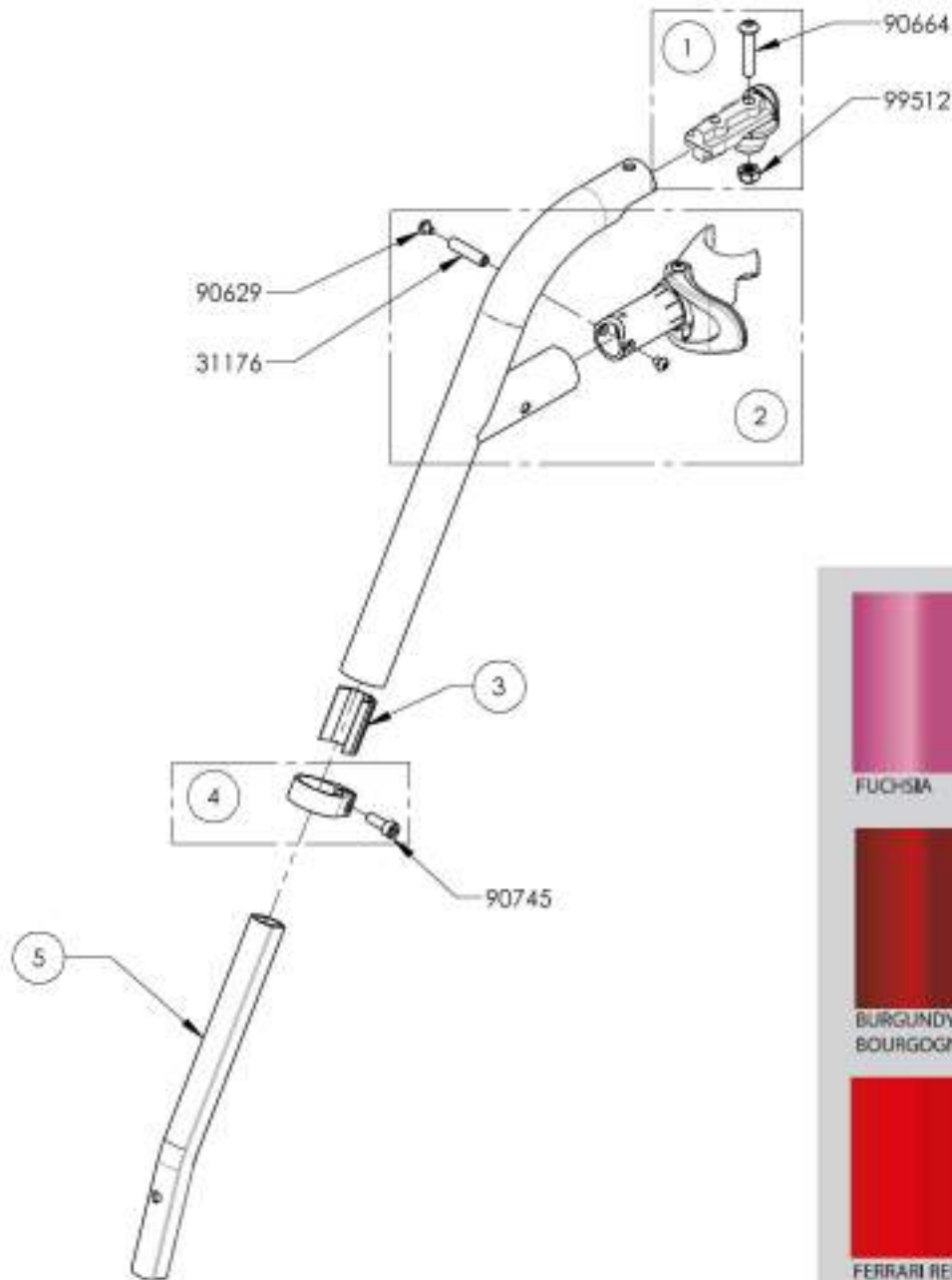
9002951 -  
 Footrest - Swing-In/Swing-Out,  
 Right, 70°, Short Extension  
 (Specify Color)



MAKE SURE TO HAVE YOUR SERIAL NUMBER  
 NEARBY WHEN ORDERING PARTS FOR YOUR  
 MOTION COMPOSITES WHEELCHAIR

**9002953\_9002954**

**Footrest - Swing-In/Swing-Out, Left, 60° & 70°, Short Extension (Specify Color)**

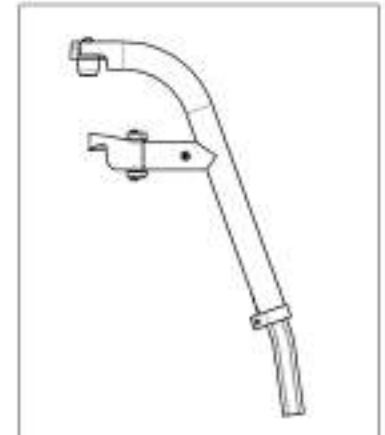


ITEM NO.	PART NO	DESCRIPTION	9002953 /QTY.	9002954 /QTY.
1	31551	V2 FOOTREST PIVOT - ASSEMBLY	1	1
2	31549	V2 FOOTREST HOUSING LEFT - ASSEMBLY	1	1
3	31168	V2 FOOTREST GUIDE SLEEVE	1	1
4	31553	V2 FOOTREST EXTENSION LEFT CLAMP - ASSEMBLY	1	1
5	31154	V2 FOOTREST SHORT EXTENSION	1	1

9002953 -  
Footrest - Swing-In/Swing-Out,  
Left, 60°, Short Extension  
(Specify Color)



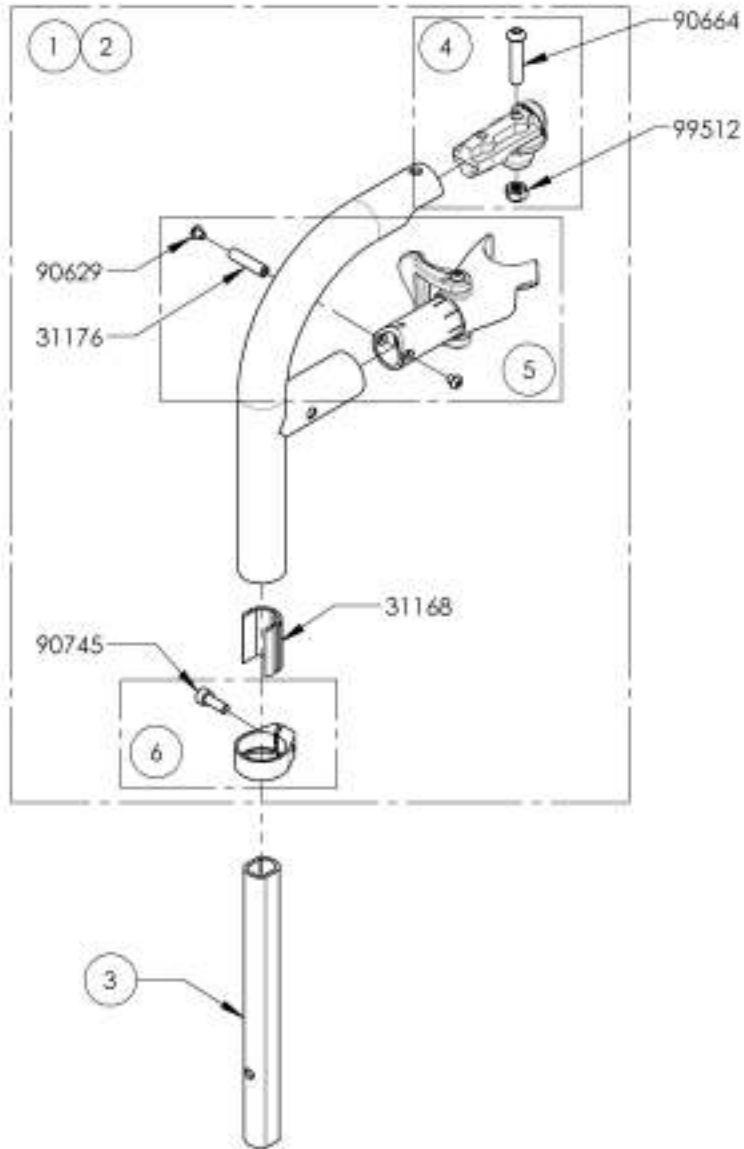
9002954 -  
Footrest - Swing-In/Swing-Out,  
Left, 70°, Short Extension  
(Specify Color)



MAKE SURE TO HAVE YOUR SERIAL NUMBER  
NEARBY WHEN ORDERING PARTS FOR YOUR  
MOTION COMPOSITES WHEELCHAIR

**9001330 & 9003081**  
**Footrest - Swing-In/Swing-Out, Right, 80° & 90°, Short Extension - Black**

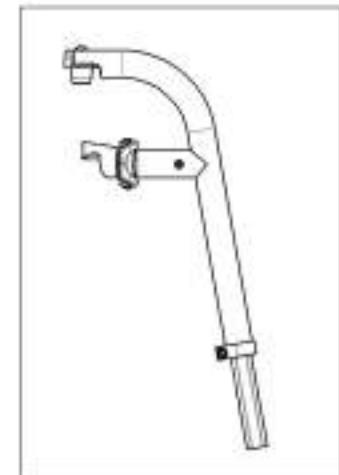
ITEM NO.	PART NO.	DESCRIPTION	9001330 /QTY.	9003081 /QTY.	REPLACEMENT PARTS/QTY.
1	31547	V2 90 DEG LEGREST, RIGHT - ASSEMBLY	1	-	-
2	31617	V2 80 DEG LEGREST, RIGHT - ASSEMBLY	-	1	-
3	31198	V2 FOOTREST 90° EXTENSION	1	1	-
4	31551	V2 FOOTREST PIVOT - ASSEMBLY	-	-	1
5	31550	V2 FOOTREST HOUSING RIGHT - ASSEMBLY	-	-	1
6	31552	V2 FOOTREST EXTENSION RIGHT CLAMP - ASSEMBLY	-	-	1



**9001330**  
 Footrest - Swing-In/Swing-Out, Right, 90°,  
 Short Extension - Black



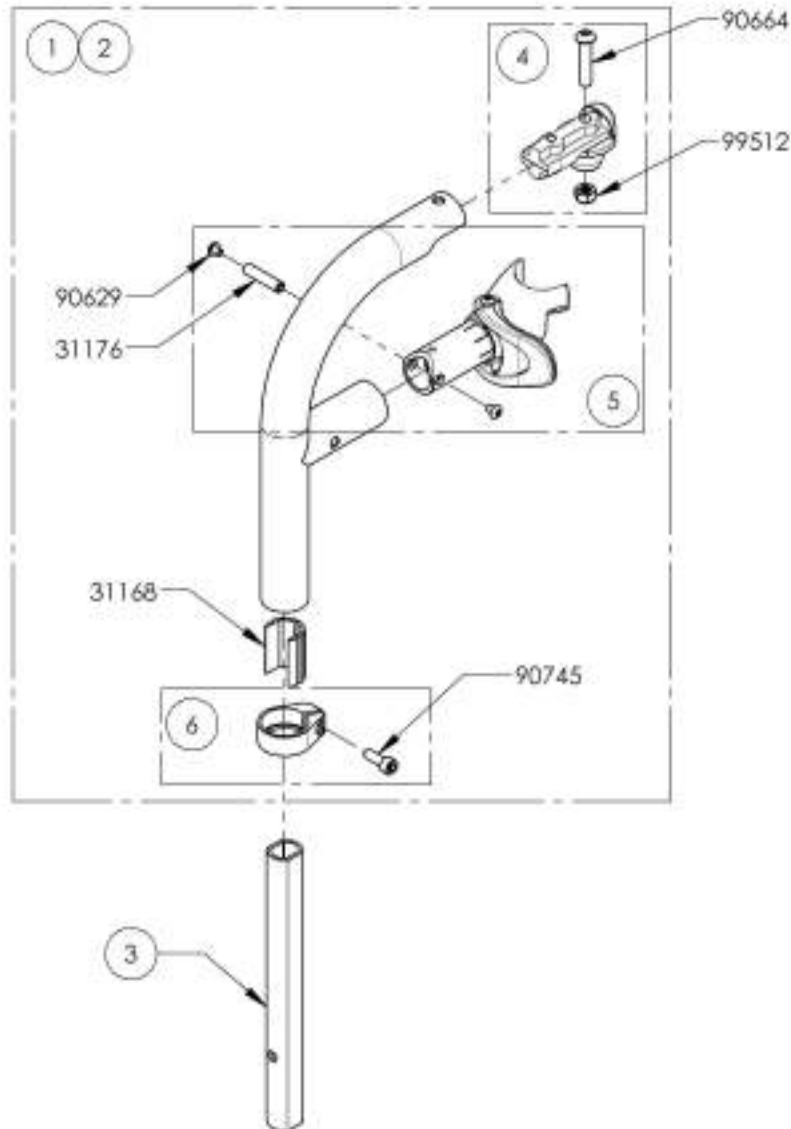
**9003081**  
 Footrest - Swing-In/Swing-Out, Right, 80°,  
 Short Extension - Black



MAKE SURE TO HAVE YOUR SERIAL NUMBER  
 NEARBY WHEN ORDERING PARTS FOR YOUR  
 MOTION COMPOSITES WHEELCHAIR

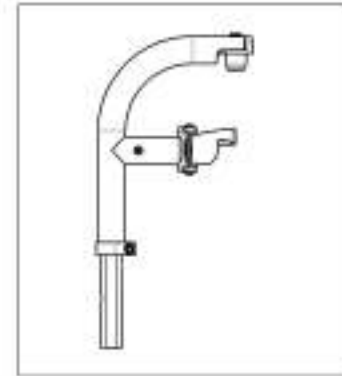
**9001333 & 9003082**

**Footrest - Swing-In/Swing-Out, Left, 80° & 90°, Short Extension - Black**



ITEM NO.	PART NO	DESCRIPTION	9001333 /QTY.	9003082 /QTY.	REPLACEMENT PARTS/QTY.
1	31548	V2 90 DEG LEGREST, LEFT - ASSEMBLY	1	-	-
2	31618	V2 80 DEG LEGREST, LEFT - ASSEMBLY	-	1	-
3	31198	V2 FOOTREST 90° EXTENSION	1	1	-
4	31551	V2 FOOTREST PIVOT - ASSEMBLY	-	-	1
5	31549	V2 FOOTREST HOUSING LEFT - ASSEMBLY	-	-	1
6	31553	V2 FOOTREST EXTENSION LEFT CLAMP - ASSEMBLY	-	-	1

**9001333**  
Footrest - Swing-In/Swing-Out, Left, 90°, Short Extension - Black



**9003082**  
Footrest - Swing-In/Swing-Out, Left, 80°, Short Extension - Black

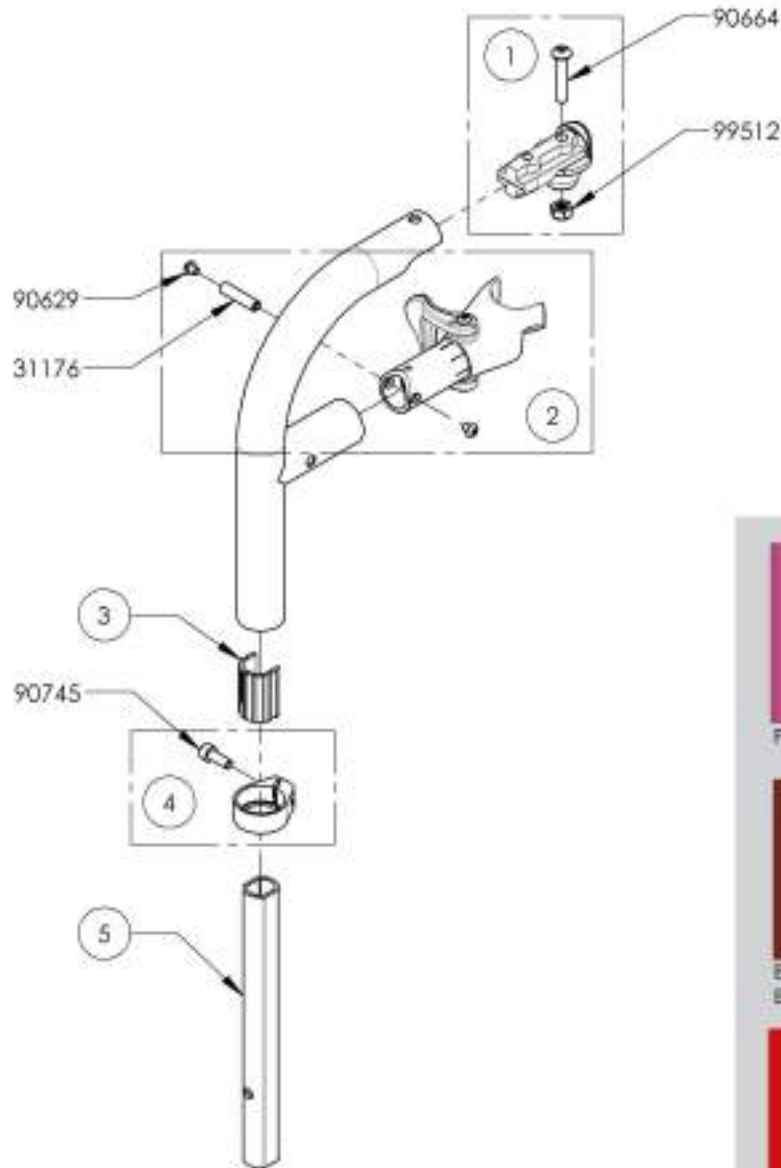


MAKE SURE TO HAVE YOUR SERIAL NUMBER NEARBY WHEN ORDERING PARTS FOR YOUR MOTION COMPOSITES WHEELCHAIR

**9001336 & 9003083**

**Footrest - Swing-In/Swing-Out, Right, 80° & 90°, Short Extension (Specify Color)**

ITEM NO.	PART NO.	DESCRIPTION	9001336 /QTY.	9003083 /QTY.
1	31551	V2 FOOTREST PIVOT - ASSEMBLY	1	1
2	31590	V2 FOOTREST HOUSING RIGHT - ASSEMBLY	1	1
3	31168	V2 FOOTREST GUIDE SLEEVE	1	1
4	31552	V2 FOOTREST EXTENSION RIGHT CLAMP - ASSEMBLY	1	1
5	31198	V2 FOOTREST 90° EXTENSION	1	1



**9001336**  
Footrest - Swing-In/Swing-Out,  
Right, 90°, Short Extension  
(Specify Color)



**9003083**  
Footrest - Swing-In/Swing-Out,  
Right, 80°, Short Extension  
(Specify Color)

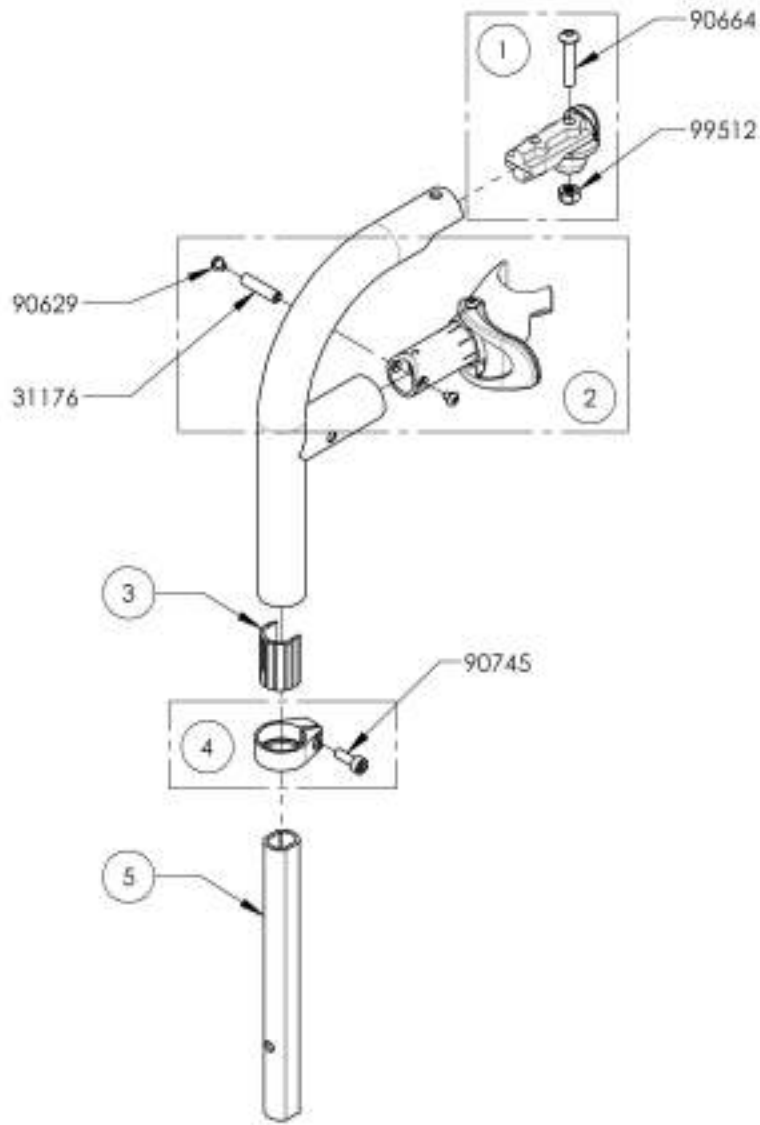


MAKE SURE TO HAVE YOUR SERIAL NUMBER  
NEARBY WHEN ORDERING PARTS FOR YOUR  
MOTION COMPOSITES WHEELCHAIR

**9001339 & 9003084**

**Footrest - Swing-In/Swing-Out, Left, 80° & 90°, Short Extension (Specify Color)**

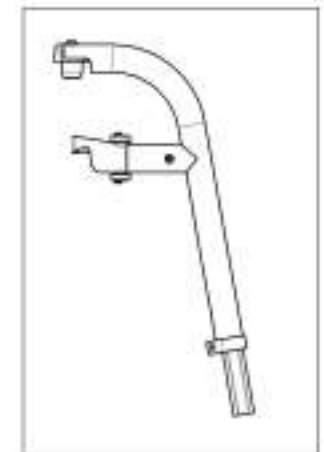
ITEM NO.	PARTNO	DESCRIPTION	9001339 /QTY.	9003084 /QTY.
1	31551	V2 FOOTREST PIVOT - ASSEMBLY	1	1
2	31549	V2 FOOTREST HOUSING LEFT - ASSEMBLY	1	1
3	31168	V2 FOOTREST GUIDE SLEEVE	1	1
4	31553	V2 FOOTREST EXTENSION LEFT CLAMP - ASSEMBLY	1	1
5	31198	V2 FOOTREST 90° EXTENSION	1	1



**9001339**  
Footrest - Swing-In/Swing-Out,  
Left, 90°, Short Extension  
(Specify Color)



**9003084**  
Footrest - Swing-In/Swing-Out,  
Left, 80°, Short Extension  
(Specify Color)

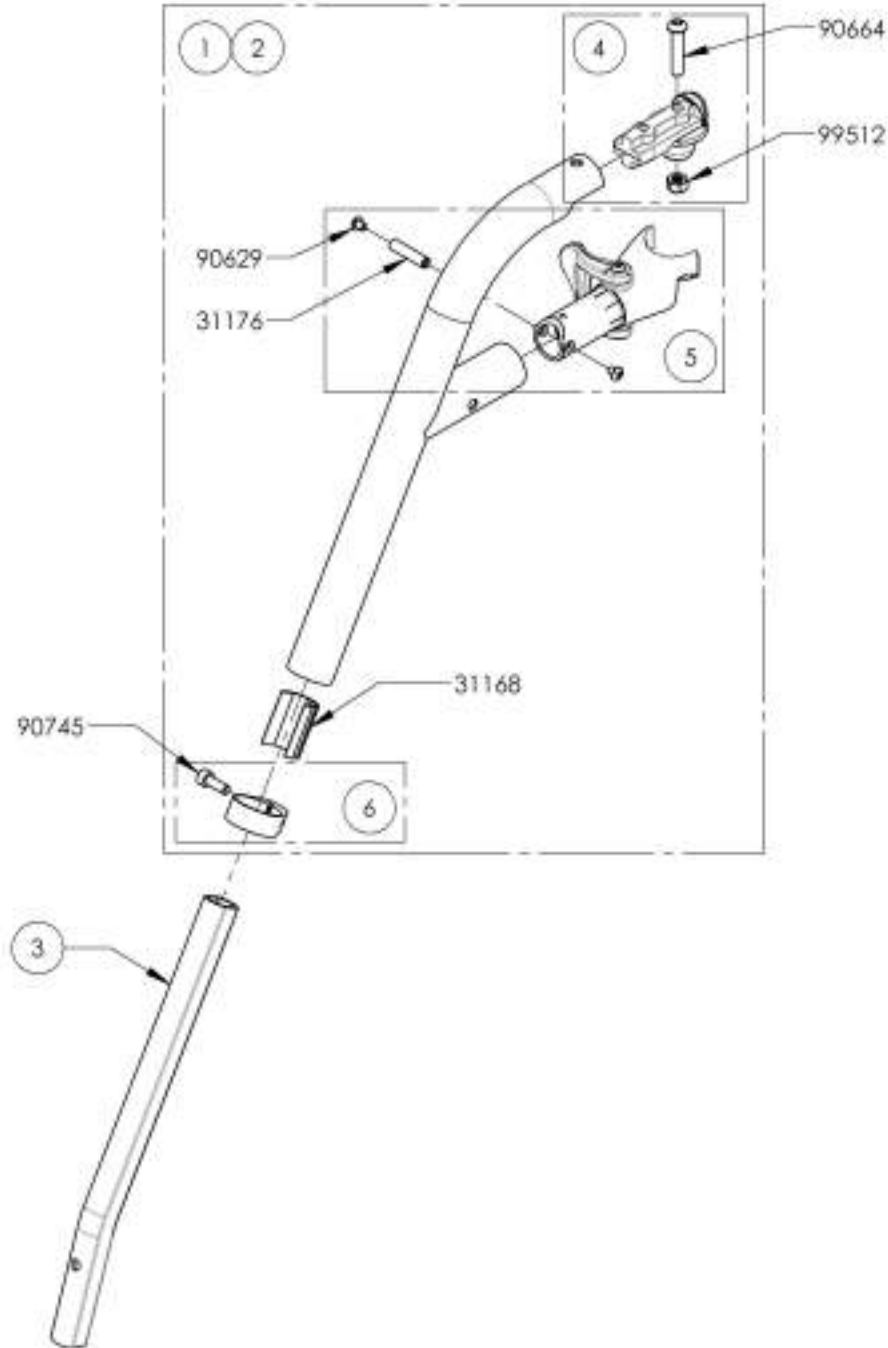


MAKE SURE TO HAVE YOUR SERIAL NUMBER  
NEARBY WHEN ORDERING PARTS FOR YOUR  
MOTION COMPOSITES WHEELCHAIR



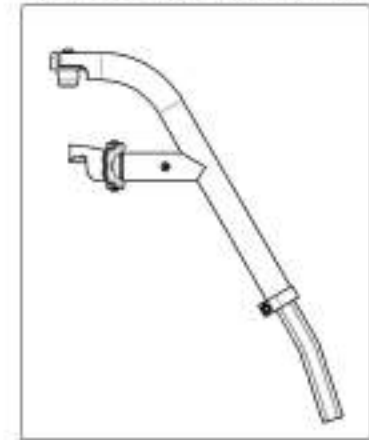
**9001328 9001329**

**Footrest - Swing-In/Swing-Out, Right, 60° & 70°, Long Extension - Black**

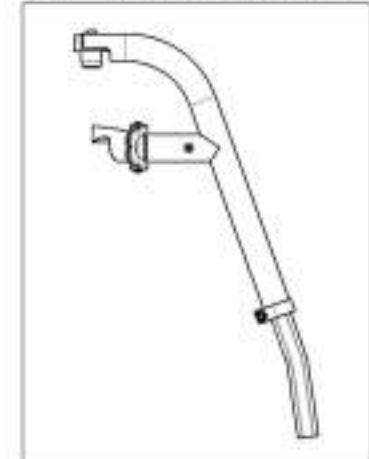


ITEM NO.	PART NO	DESCRIPTION	9001328 /QTY.	9001329 /QTY.	REPLACEMENT PARTS/QTY.
1	31543	V2 60 DEG LEGREST, RIGHT - ASSEMBLY	1	-	-
2	31545	V2 70 DEG LEGREST, RIGHT - ASSEMBLY	-	1	-
3	31169	V2 FOOTREST EXTENSION	1	1	-
4	31551	V2 FOOTREST PIVOT - ASSEMBLY	-	-	1
5	31550	V2 FOOTREST HOUSING RIGHT - ASSEMBLY	-	-	1
6	31552	V2 FOOTREST EXTENSION RIGHT CLAMP - ASSEMBLY	-	-	1

9001328 -  
Footrest - Swing-In/Swing-Out,  
Right, 60°, Long Extension - Black



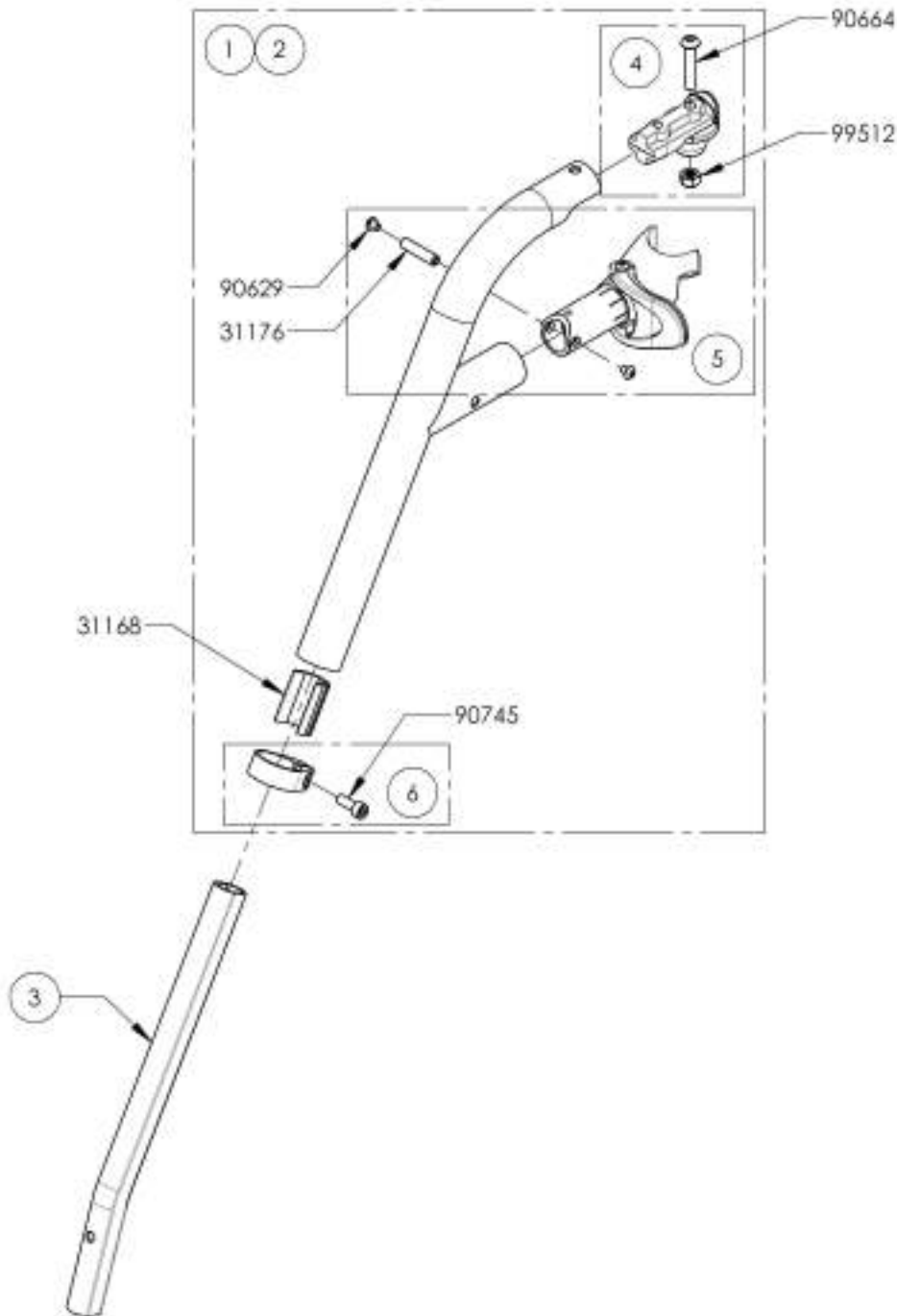
9001329 -  
Footrest - Swing-In/Swing-Out,  
Right, 70°, Long Extension - Black



MAKE SURE TO HAVE YOUR SERIAL NUMBER  
NEARBY WHEN ORDERING PARTS FOR YOUR  
MOTION COMPOSITES WHEELCHAIR

**9001331\_9001332**

**Footrest - Swing-In/Swing-Out, Left, 60° & 70°, Long Extension - Black**

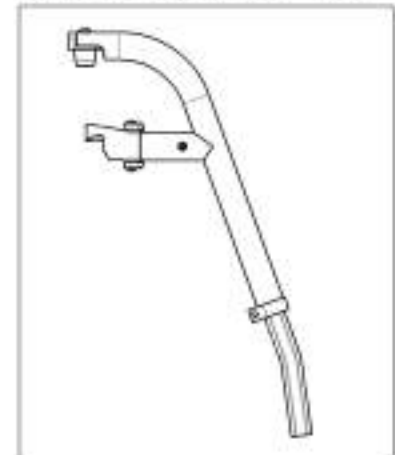


ITEM NO.	PART NO	DESCRIPTION	9001331 /QTY.	9001332 /QTY.	REPLACEMENT PARTS/QTY.
1	31544	V2 60 DEG LEGREST, LEFT - ASSEMBLY	1	-	-
2	31546	V2 70 DEG LEGREST, LEFT - ASSEMBLY	-	1	-
3	31167	V2 FOOTREST EXTENSION	1	1	-
4	31551	V2 FOOTREST PIVOT - ASSEMBLY	-	-	1
5	31549	V2 FOOTREST HOUSING LEFT - ASSEMBLY	-	-	1
6	31553	V2 FOOTREST EXTENSION LEFT CLAMP - ASSEMBLY	-	-	1

9001331 -  
Footrest - Swing-In/Swing-Out,  
Left, 60°, Long Extension - Black



9001332 -  
Footrest - Swing-In/Swing-Out,  
Left, 70°, Long Extension - Black

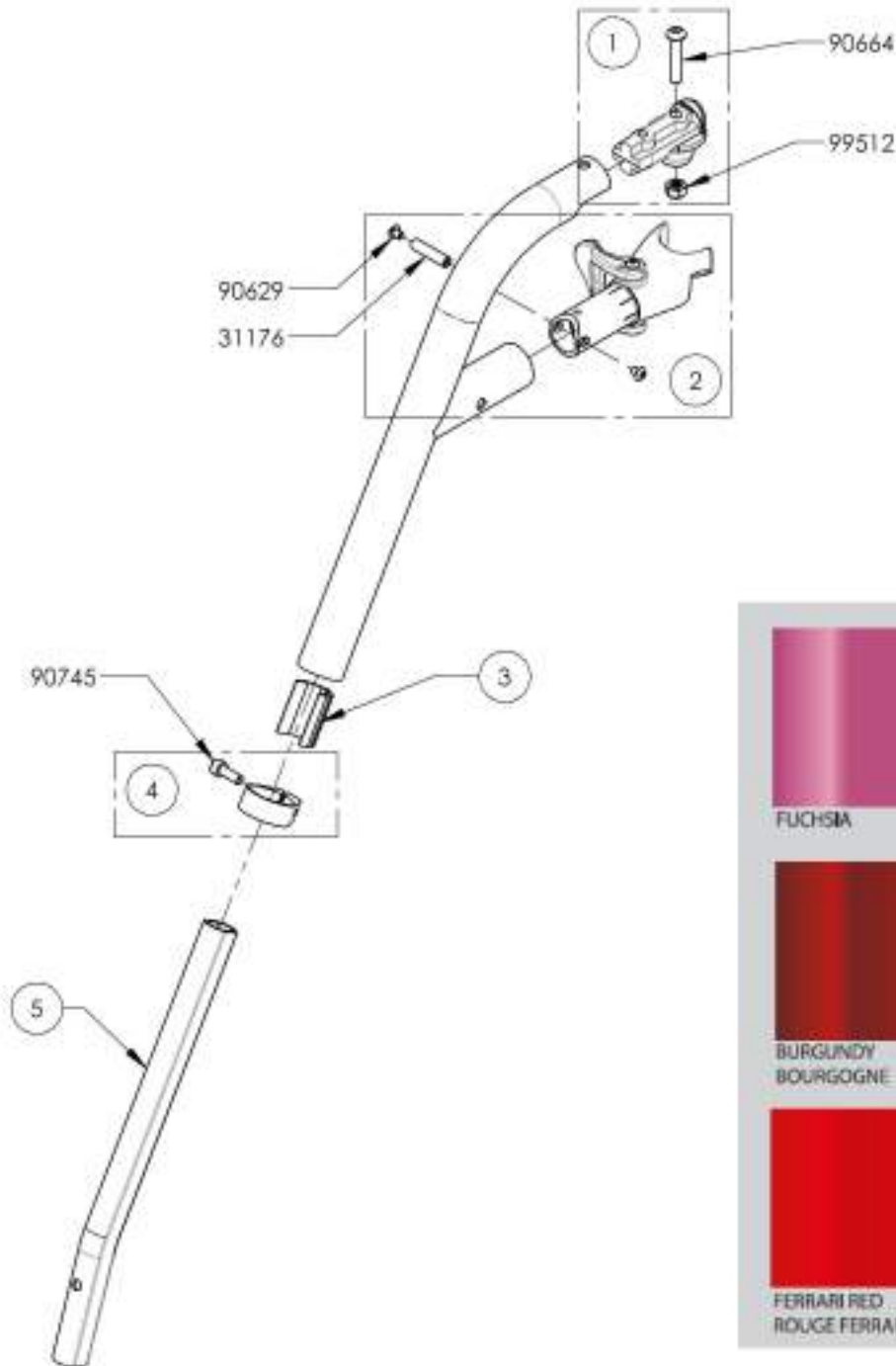


MAKE SURE TO HAVE YOUR SERIAL NUMBER  
NEARBY WHEN ORDERING PARTS FOR YOUR  
MOTION COMPOSITES WHEELCHAIR

**9001334\_9001335**

**Footrest - Swing-In/Swing-Out, Right, 60° & 70°, Long Extension (Specify Color)**

ITEM NO.	PART NO.	DESCRIPTION	9001334 /QTY.	9001335 /QTY.
1	31551	V2 FOOTREST PIVOT - ASSEMBLY	1	1
2	31550	V2 FOOTREST HOUSING RIGHT - ASSEMBLY	1	1
3	31168	V2 FOOTREST GUIDE SLEEVE	1	1
4	31552	V2 FOOTREST EXTENSION RIGHT CLAMP - ASSEMBLY	1	1
5	31169	V2 FOOTREST EXTENSION	1	1



9001334 -  
Footrest - Swing-In/Swing-Out,  
Right, 60°, Long Extension  
(Specify Color)



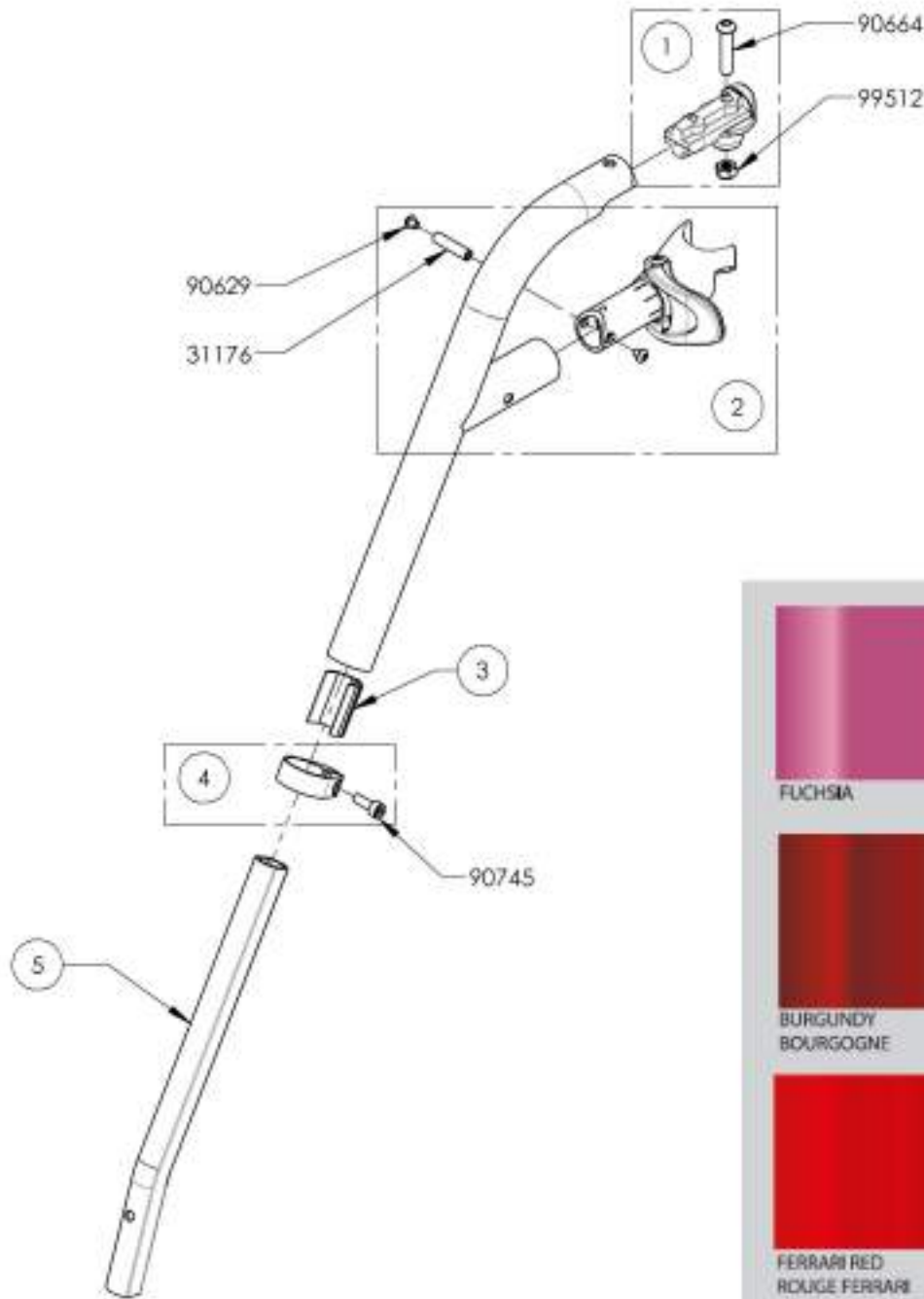
9001335 -  
Footrest - Swing-In/Swing-Out,  
Right, 70°, Long Extension  
(Specify Color)



MAKE SURE TO HAVE YOUR SERIAL NUMBER  
NEARBY WHEN ORDERING PARTS FOR YOUR  
MOTION COMPOSITES WHEELCHAIR

**9001337\_9001338**

**Footrest - Swing-In/Swing-Out, Left, 60° & 70°, Long Extension (Specify Color)**



ITEM NO.	PARTNO	DESCRIPTION	9001337 /QTY.	9001338 /QTY.
1	31551	V2 FOOTREST PIVOT - ASSEMBLY	1	1
2	31549	V2 FOOTREST HOUSING LEFT - ASSEMBLY	1	1
3	31168	V2 FOOTREST GUIDE SLEEVE	1	1
4	31553	V2 FOOTREST EXTENSION LEFT CLAMP - ASSEMBLY	1	1
5	31169	V2 FOOTREST EXTENSION	1	1

9001337 -  
Footrest - Swing-In/Swing-Out,  
Left, 60°, Long Extension  
(Specify Color)



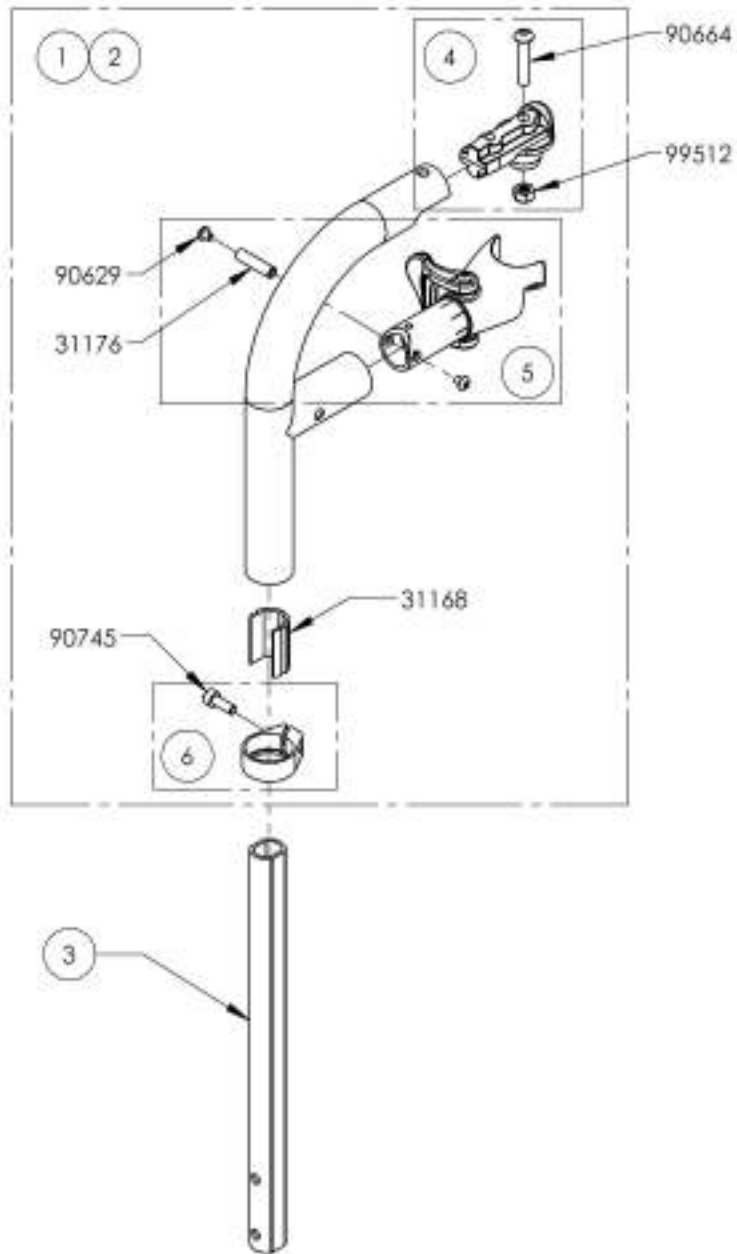
9001338 -  
Footrest - Swing-In/Swing-Out,  
Left, 70°, Long Extension  
(Specify Color)



MAKE SURE TO HAVE YOUR SERIAL NUMBER  
NEARBY WHEN ORDERING PARTS FOR YOUR  
MOTION COMPOSITES WHEELCHAIR

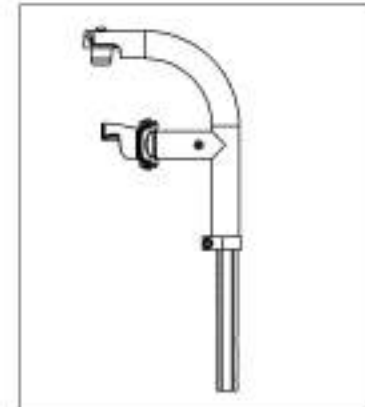
**9002916 & 9003085**

**Footrest - Swing-In/Swing-Out, Right, 80° & 90°, Long Extension - Black**

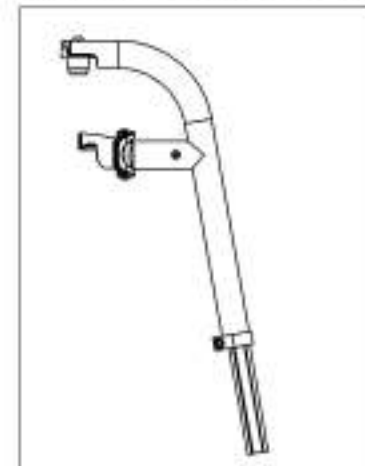


ITEM NO.	PART NO.	DESCRIPTION	9002916 /QTY.	9003085 /QTY.	REPLACEMENT PARTS/QTY.
1	31547	V2 90 DEG LEGREST, RIGHT - ASSEMBLY	1	-	-
2	31617	V2 80 DEG LEGREST, RIGHT - ASSEMBLY	-	1	-
3	31209	V2 FOOTREST 90° LONG EXTENSION	1	1	-
4	31551	V2 FOOTREST PIVOT - ASSEMBLY	-	-	1
5	31550	V2 FOOTREST HOUSING RIGHT - ASSEMBLY	-	-	1
6	31552	V2 FOOTREST EXTENSION RIGHT CLAMP - ASSEMBLY	-	-	1

9002916 -  
Footrest - Swing-In/Swing-Out,  
Right, 90°, Long Extension - Black



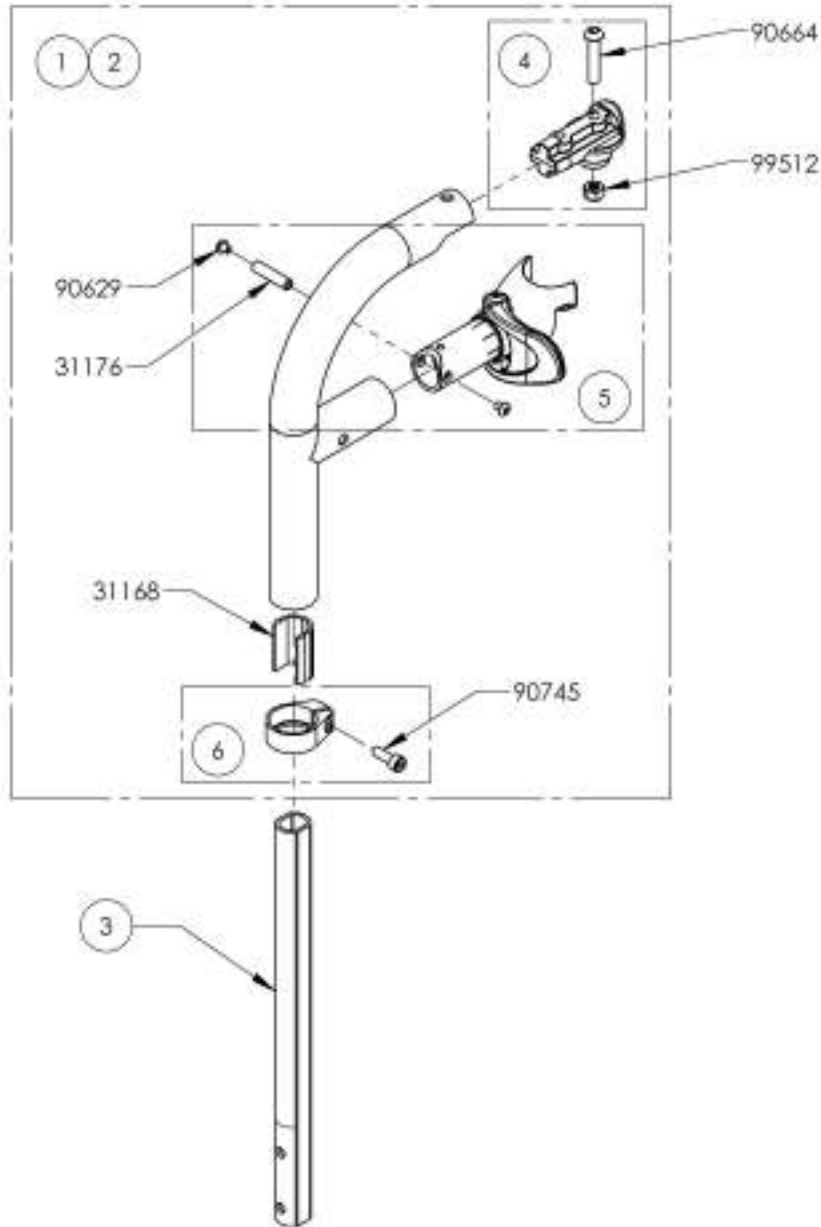
9003085 -  
Footrest - Swing-In/Swing-Out,  
Right, 80°, Long Extension - Black



MAKE SURE TO HAVE YOUR SERIAL NUMBER  
NEARBY WHEN ORDERING PARTS FOR YOUR  
MOTION COMPOSITES WHEELCHAIR

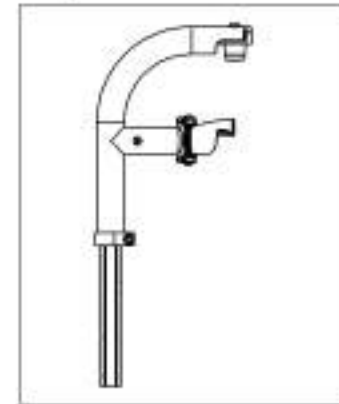
**9002917 & 9003086**

**Footrest - Swing-In/Swing-Out, Left, 80° & 90°, Long Extension - Black**



ITEM NO.	PARTNO	DESCRIPTION	9002917 /QTY.	9003086 /QTY.	REPLACEMENT PARTS/QTY.
1	31548	V2 90 DEG LEGREST, LEFT - ASSEMBLY	1	-	-
2	31618	V2 80 DEG LEGREST, LEFT - ASSEMBLY	-	1	-
3	31209	V2 FOOTREST 90° LONG EXTENSION	1	1	-
4	31551	V2 FOOTREST PIVOT - ASSEMBLY	-	-	1
5	31549	V2 FOOTREST HOUSING LEFT - ASSEMBLY	-	-	1
6	31553	V2 FOOTREST EXTENSION LEFT CLAMP - ASSEMBLY	-	-	1

**9002917**  
Footrest - Swing-In/Swing-Out, Left, 90°, Long Extension - Black



**9003086**  
Footrest - Swing-In/Swing-Out, Left, 80°, Long Extension - Black

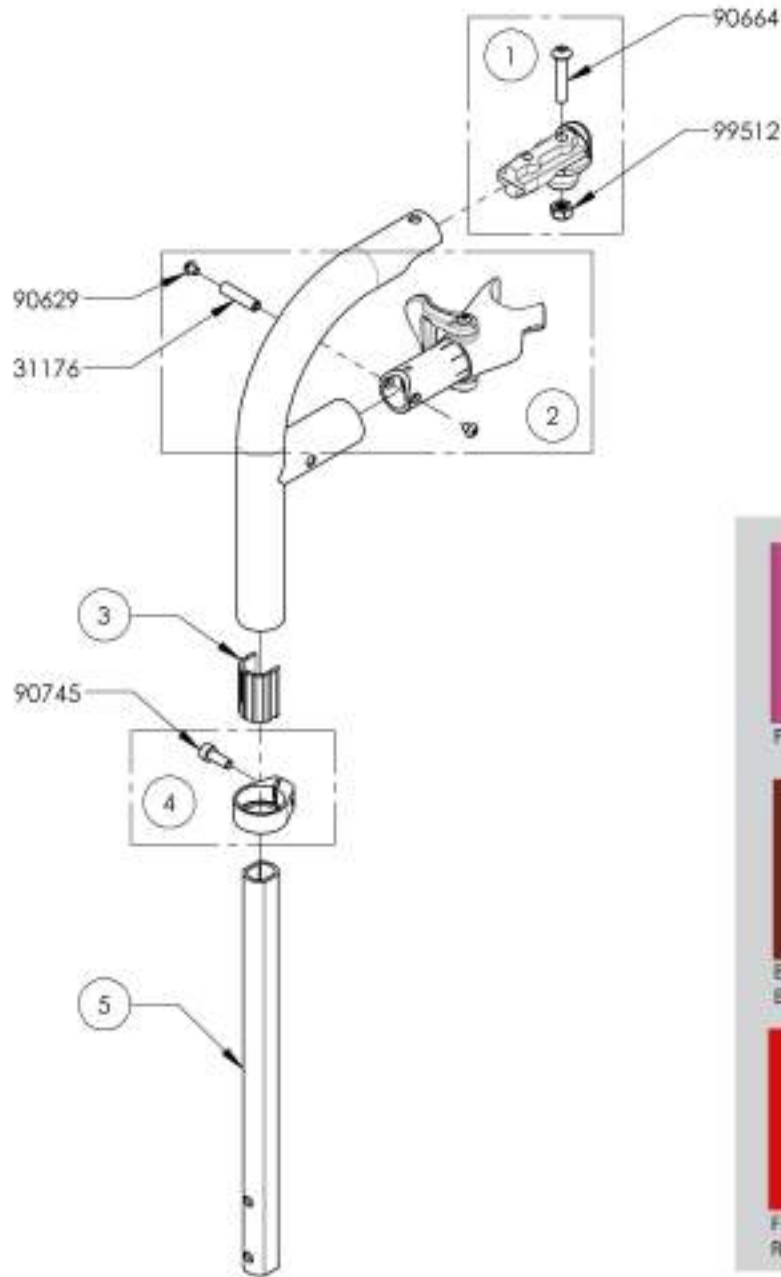


MAKE SURE TO HAVE YOUR SERIAL NUMBER NEARBY WHEN ORDERING PARTS FOR YOUR MOTION COMPOSITES WHEELCHAIR

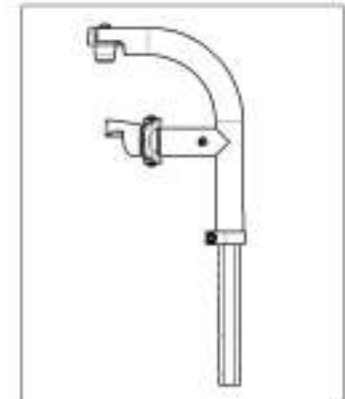
**9002955 & 9003087**

**Footrest - Swing-In/Swing-Out, Right, 80° & 90°, Long Extension (Specify Color)**

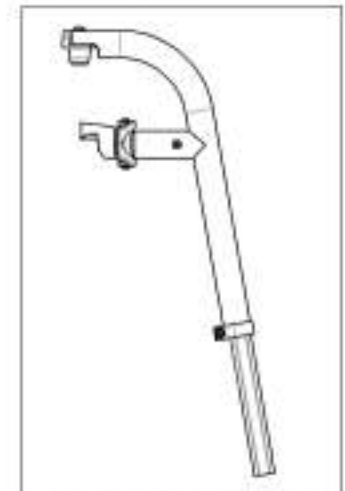
ITEM NO.	PARTNO	DESCRIPTION	9002955 /QTY.	9003087 /QTY.
1	31551	V2 FOOTREST FVDF - ASSEMBLY	1	1
2	31550	V2 FOOTREST HOUSING RIGHT - ASSEMBLY	1	1
3	31168	V2 FOOTREST GUIDE SLEEVE	1	1
4	31552	V2 FOOTREST EXTENSION RIGHT CLAMP - ASSEMBLY	1	1
5	31209	V2 FOOTREST 90° LONG EXTENSION	1	1



**9002955**  
Footrest - Swing-In/Swing-Out,  
Right, 90°, Long Extension  
(Specify Color)



**9003087**  
Footrest - Swing-In/Swing-Out,  
Right, 80°, Long Extension  
(Specify Color)



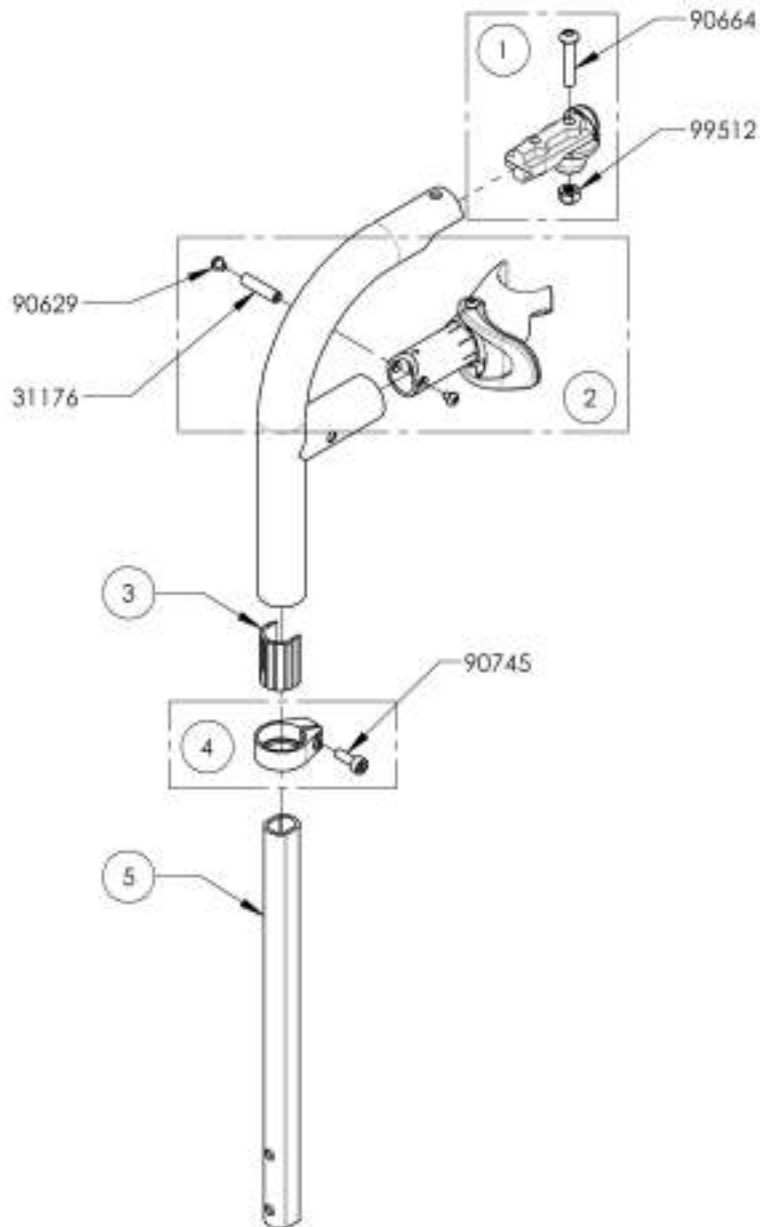
MAKE SURE TO HAVE YOUR SERIAL NUMBER  
NEARBY WHEN ORDERING PARTS FOR YOUR  
MOTION COMPOSITES WHEELCHAIR



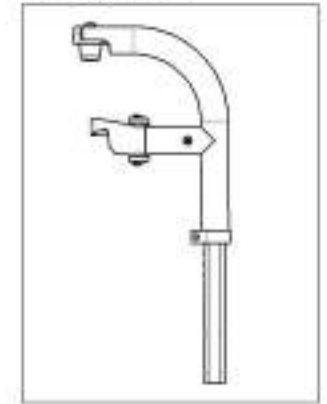
**9002952 & 9003088**

**Footrest - Swing-In/Swing-Out, Left, 80° & 90°, Long Extension (Specify Color)**

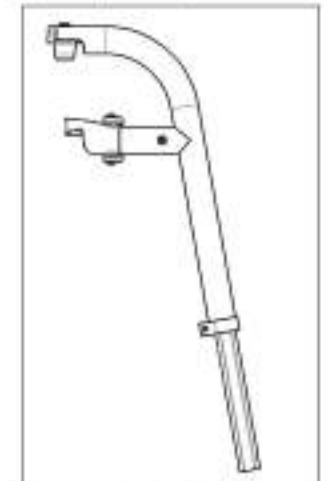
ITEM NO.	PARTNO	DESCRIPTION	9002952 /QTY.	9003088 /QTY.
1	31551	V2 FOOTREST FVCF - ASSEMBLY	1	1
2	31549	V2 FOOTREST HOUSING LEFT - ASSEMBLY	1	1
3	31168	V2 FOOTREST GUIDE SLEEVE	1	1
4	31553	V2 FOOTREST EXTENSION LEFT CLAMP - ASSEMBLY	1	1
5	31209	V2 FOOTREST 90° LONG EXTENSION	1	1



**9002952**  
Footrest - Swing-In/Swing-Out,  
Left, 90°, Long Extension  
(Specify Color)



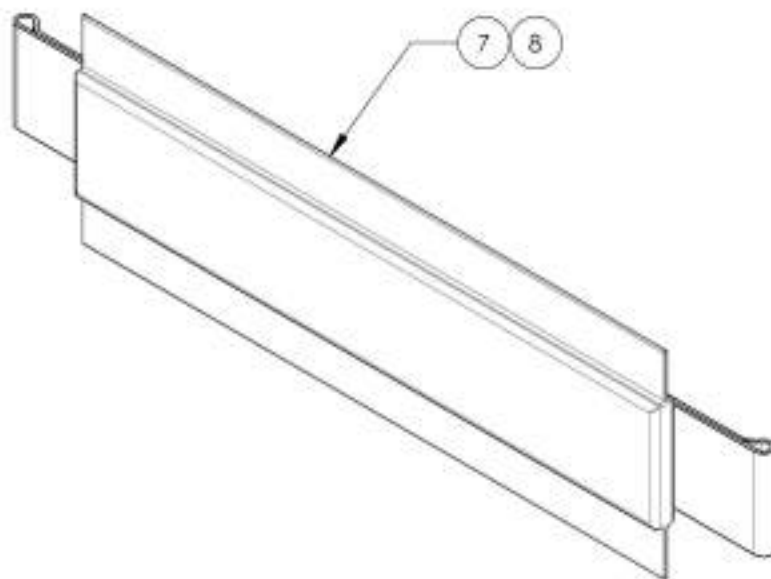
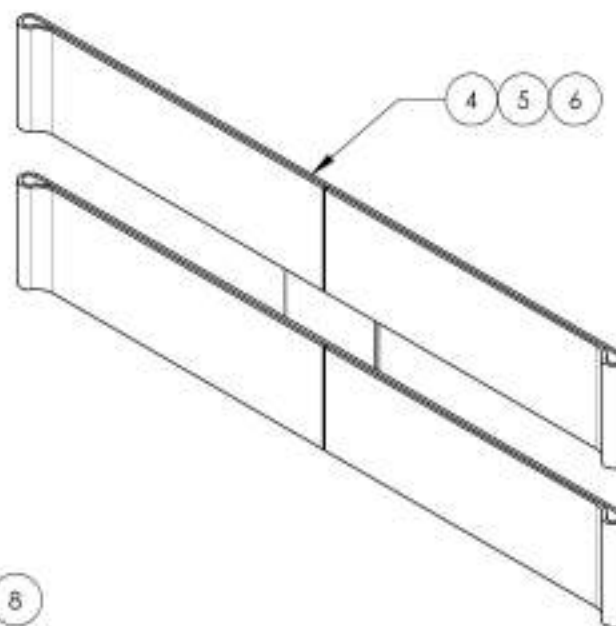
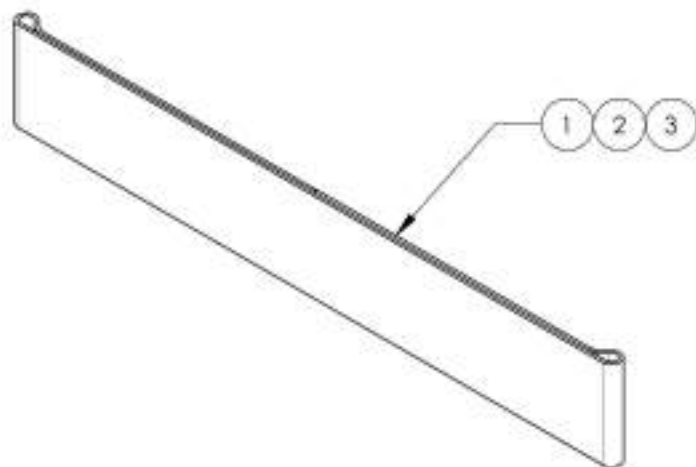
**9003088**  
Footrest - Swing-In/Swing-Out,  
Left, 80°, Long Extension  
(Specify Color)



MAKE SURE TO HAVE YOUR SERIAL NUMBER  
NEARBY WHEN ORDERING PARTS FOR YOUR  
MOTION COMPOSITES WHEELCHAIR

**Footrests Catalogue  
Calf Straps**

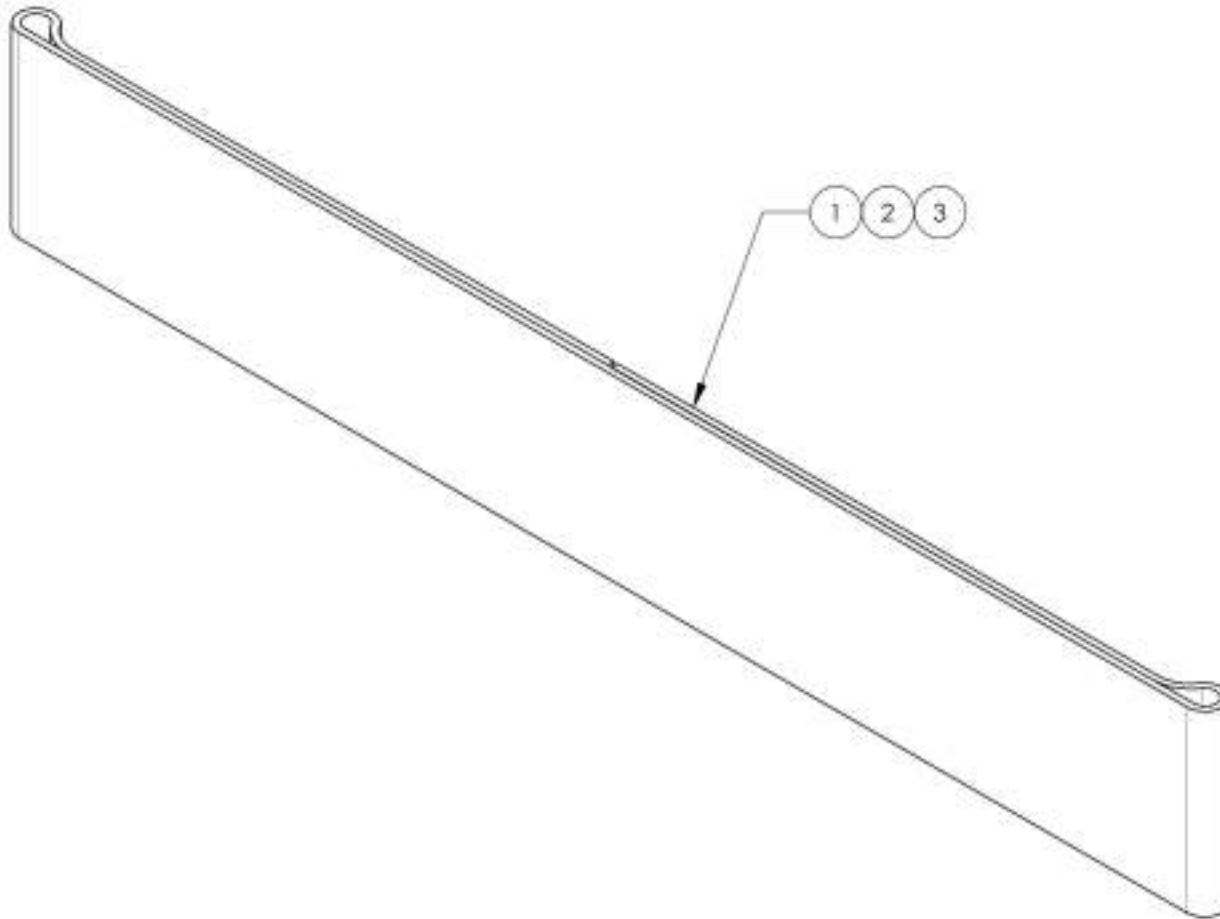
ITEM NO.	PARTNO	DESCRIPTION	QTY.
1	9001068	Calf Strap - Non-Padded (Wheelchair Width: 12 to 14 in)	1
2	9001412	Calf Strap - Non-Padded (Wheelchair Width: 15 to 17 in)	1
3	9001413	Calf Strap - Non-Padded (Wheelchair Width: 18 to 22 in)	1
4	9001580	Calf Strap - Double, Non-Padded (Wheelchair Width: 12 to 14 in)	1
5	9002140	Calf Strap - Double, Non-Padded (Wheelchair Width: 15 to 17 in)	1
6	9002141	Calf Strap - Double, Non-Padded (Wheelchair Width: 18 to 22 in)	1
7	9001414	Calf Strap - Padded (Wheelchair Width: 15 to 17 in)	1
8	9001415	Calf Strap - Padded (Wheelchair Width: 18 to 22 in)	1



MAKE SURE TO HAVE YOUR SERIAL NUMBER  
NEARBY WHEN ORDERING PARTS FOR YOUR  
MOTION COMPOSITES WHEELCHAIR

**9001068 & 9001412\_9001413**  
**Calf Straps - Non Padded**

ITEM NO.	PARTNO	DESCRIPTION	9001068 /QTY.	9001412 /QTY.	9001413 /QTY.
1	31159	SIMPLE CALF STRAP 12-14 in	1	-	-
2	31046	SIMPLE CALF STRAP 15-17 in	-	1	-
3	31047	SIMPLE CALF STRAP 18-22 in	-	-	1



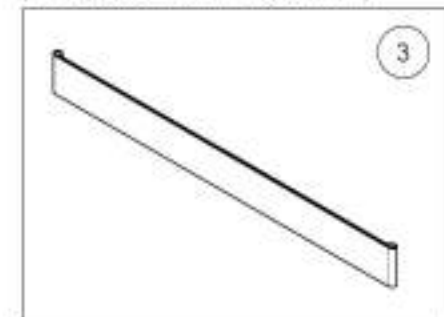
9001068  
 Calf Strap - Non Padded  
 (Wheelchair Width: 12 to 14 in)



9001412  
 Calf Strap - Non Padded  
 (Wheelchair Width: 15 to 17 in)



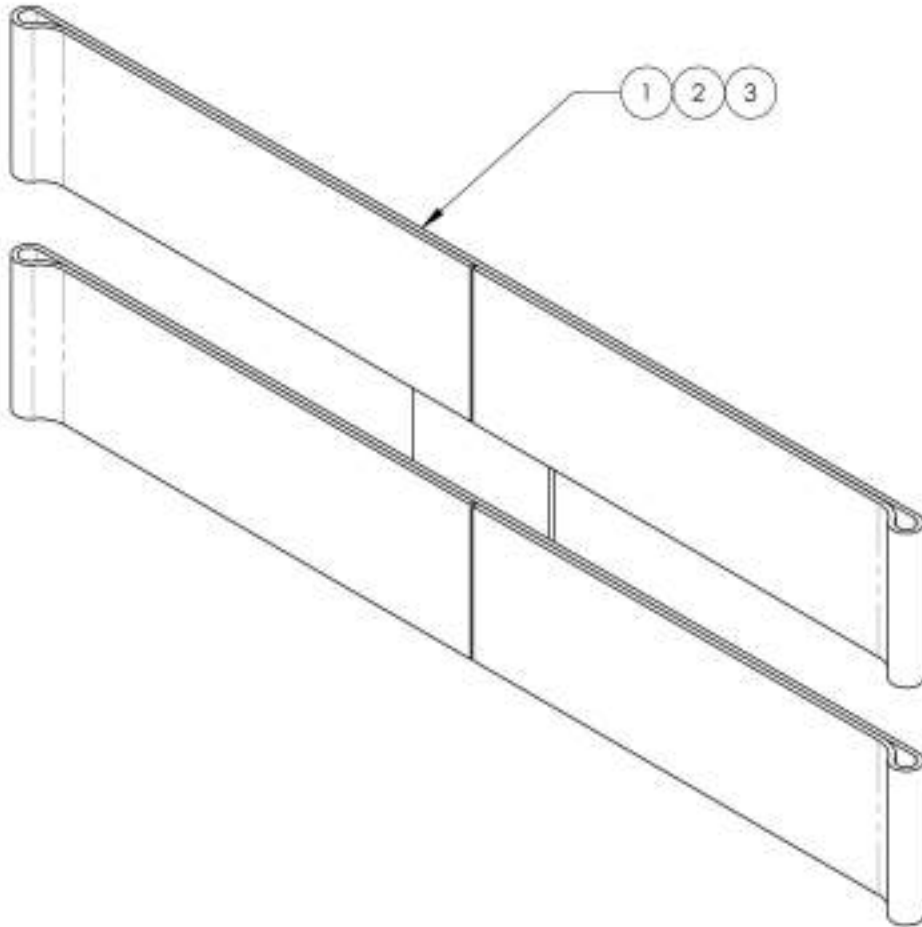
9001413  
 Calf Strap - Non Padded  
 (Wheelchair Width: 18 to 22 in)



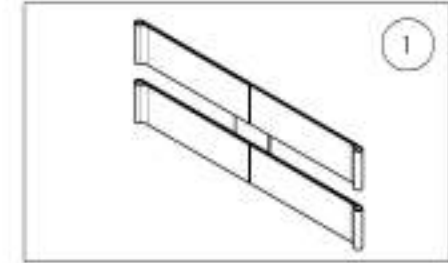
MAKE SURE TO HAVE YOUR SERIAL NUMBER  
 NEARBY WHEN ORDERING PARTS FOR YOUR  
 MOTION COMPOSITES WHEELCHAIR

**9001580 & 9002140 9002141  
Calf Strap - Double, Non-Padded**

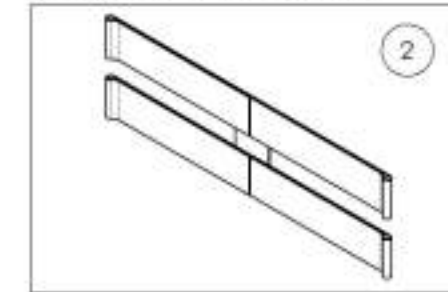
ITEM NO.	PART NO.	DESCRIPTION	9001580 /QTY.	9002140 /QTY.	9002141 /QTY.
1	31293	DOUBLE CALF STRAP 12-14 in	1	-	-
2	31281	DOUBLE CALF STRAP 15-17 in	-	1	-
3	31282	DOUBLE CALF STRAP 18-22 in	-	-	1



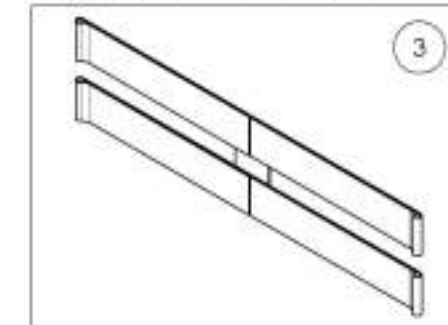
9001580  
Calf Strap - Double, Non-Padded  
(Wheelchair Width: 12 to 14 in)



9002140  
Calf Strap - Double, Non-Padded  
(Wheelchair Width: 15 to 17 in)



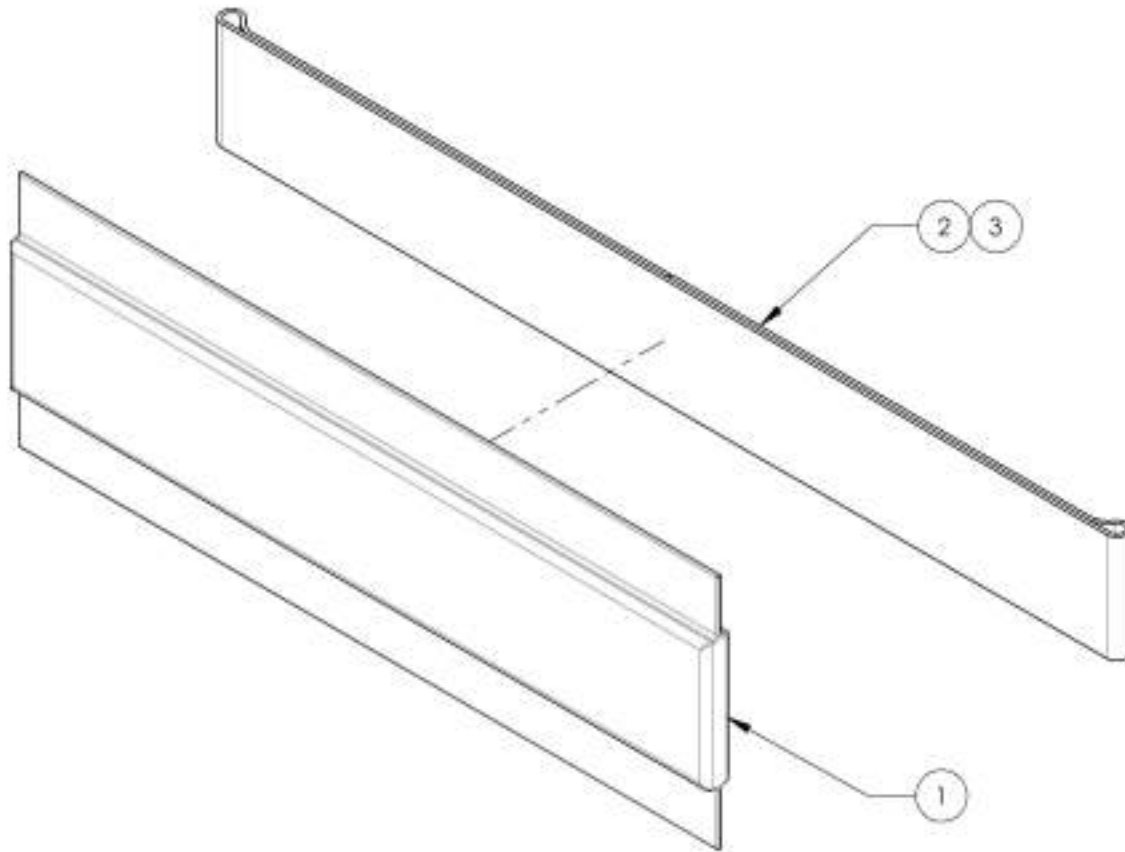
9002141  
Calf Strap - Double, Non-Padded  
(Wheelchair Width: 18 to 22 in)



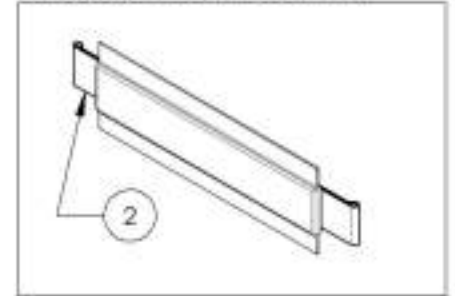
MAKE SURE TO HAVE YOUR SERIAL NUMBER  
NEARBY WHEN ORDERING PARTS FOR YOUR  
MOTION COMPOSITES WHEELCHAIR

**9001414\_9001415**  
**Calf Straps - Padded**

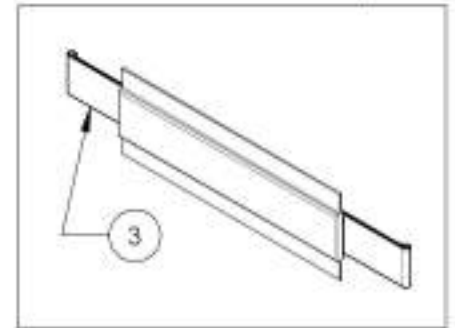
ITEM NO.	PART NO.	DESCRIPTION	9001414 /QTY.	9001415 /QTY.
1	31061	PADDED CALF PAD	1	1
2	31046	SIMPLE CALF STRAP 15-17 in.	1	-
3	31047	SIMPLE CALF STRAP 18-22 in.	-	1



9001414  
 Calf Strap - Padded  
 (Wheelchair Width: 15 to 17 in)



9001415  
 Calf Strap - Padded  
 (Wheelchair Width: 18 to 22 in)



MAKE SURE TO HAVE YOUR SERIAL NUMBER  
 NEARBY WHEN ORDERING PARTS FOR YOUR  
 MOTION COMPOSITES WHEELCHAIR

**Footrests Catalogue**  
**Bodypoint Aeromesh Calf Supports**

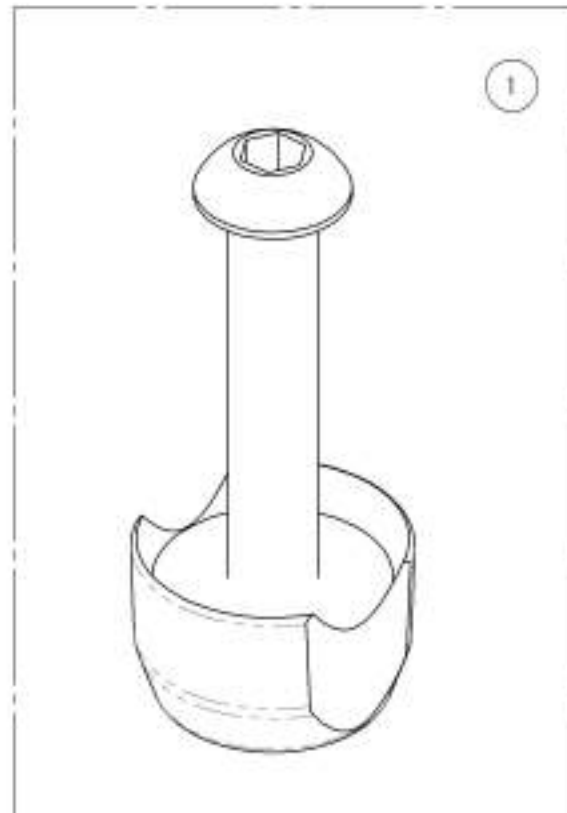
ITEM NO.	PARTNO	DESCRIPTION	QTY
1	9007795	Calf Strap - Bodypoint Aeromesh, Small (Width: 12 to 16 in) (30.4 to 40.6 cm)	1
2	9007796	Calf Strap - Bodypoint Aeromesh, Medium (Width: 17 to 20 in) (43.2 to 50.8 cm)	1
3	9007797	Calf Strap - Bodypoint Aeromesh, Large (Width: 21 to 24 in) (53.3 to 61 cm)	1
4	9007798	Calf Panel - Bodypoint Aeromesh, Small (Width: 12 to 16 in) (30.4 to 40.6 cm)	1
5	9007799	Calf Panel - Bodypoint Aeromesh, Medium (Width: 17 to 20 in) (43.2 to 50.8 cm)	1
6	9007800	Calf Panel - Bodypoint Aeromesh, Large (Width: 21 to 24 in) (53.3 to 61 cm)	1



MAKE SURE TO HAVE YOUR SERIAL NUMBER  
 NEARBY WHEN ORDERING PARTS FOR YOUR  
 MOTION COMPOSITES WHEELCHAIR

**Footrests Catalogue**  
**Pivot Extension Kit**

ITEM NO.	PARTNO	DESCRIPTION	QTY
1	9003079	Footrest - Pivot Extension Kit	1

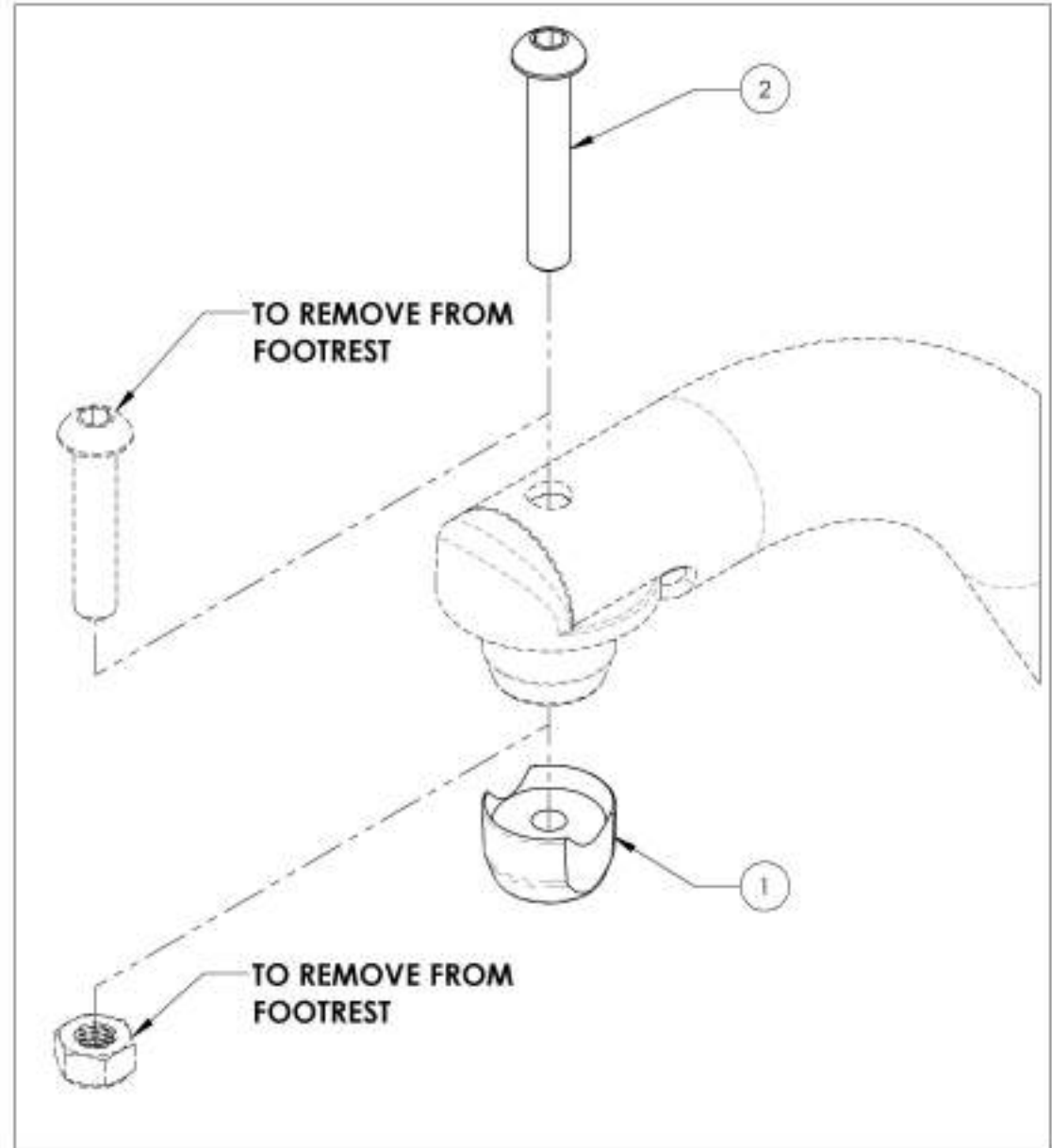
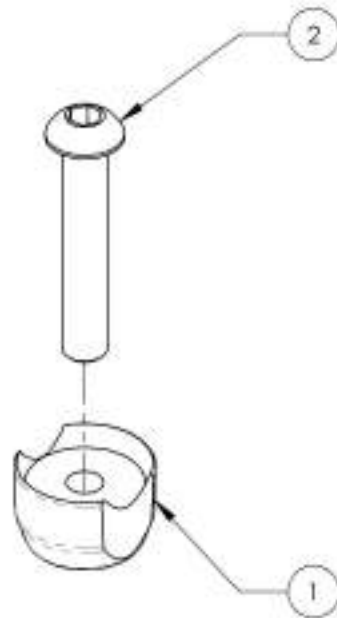


MAKE SURE TO HAVE YOUR SERIAL NUMBER  
NEARBY WHEN ORDERING PARTS FOR YOUR  
MOTION COMPOSITES WHEELCHAIR



**9003079**  
**Footrest - Pivot Extension Kit**

ITEM NO.	PARTNO	DESCRIPTION	9003079 /QTY.
1	31247	V2 FOOTREST PIVOT EXTENSION	1
2	90665	BUTTON HEAD CAP SCREW M6X1 X 35mm LONG, 28mm THREADED + BLUE THREADLOCKER - BLACK ZINC	1

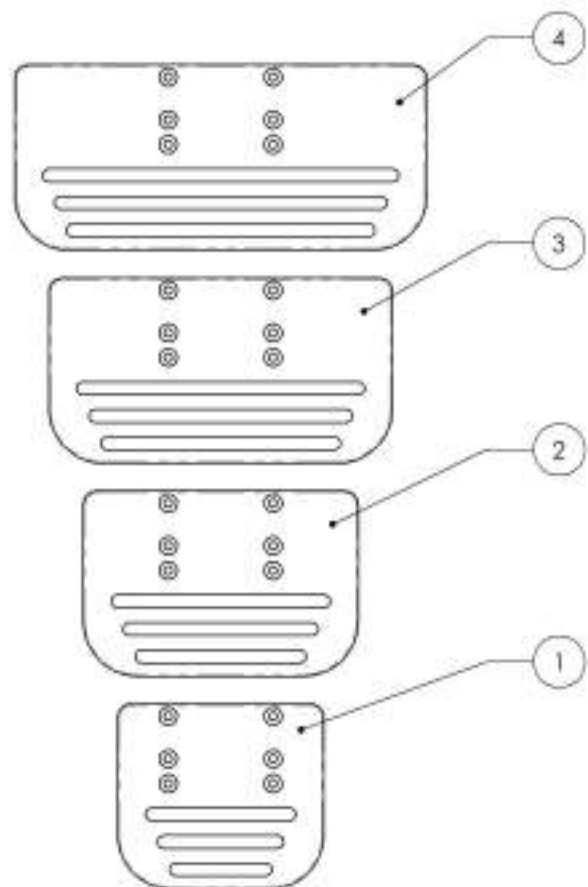


MAKE SURE TO HAVE YOUR SERIAL NUMBER  
 NEARBY WHEN ORDERING PARTS FOR YOUR  
 MOTION COMPOSITES WHEELCHAIR

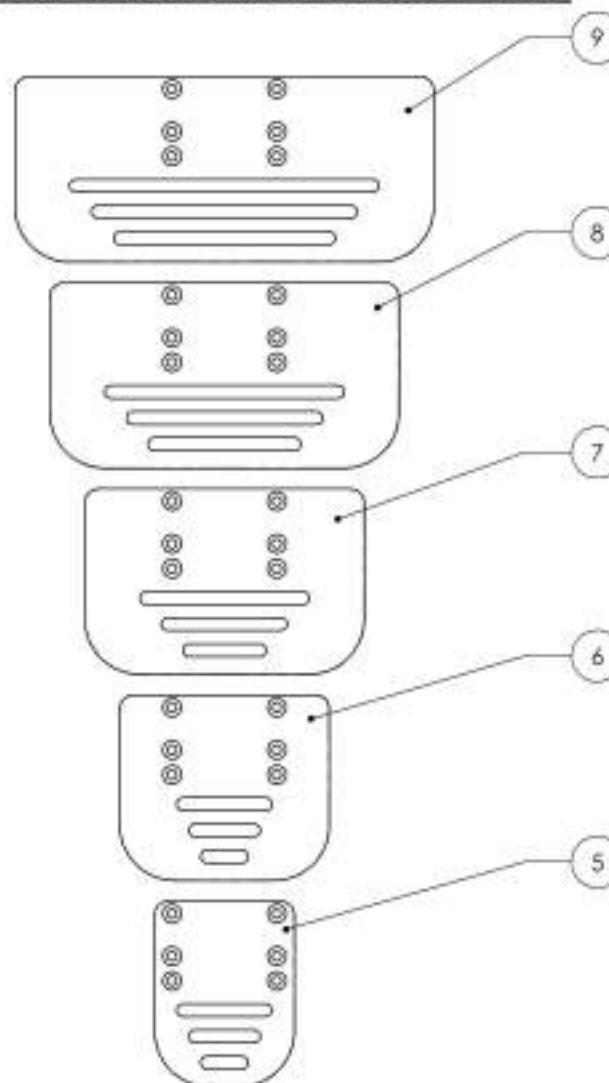
**Footrests Catalogue**  
**One Piece Footplates**

ITEM NO.	PARTNO	DESCRIPTION	QTY.
1	9007665	Footplate - Carbon, One Piece, 6 x 5 1/2 in (Wheelchair Width: 14 to 16 in)	1
2	9007666	Footplate - Carbon, One Piece, 8 x 5 1/2 in (Wheelchair Width: 17 to 18 in)	1
3	9007667	Footplate - Carbon, One Piece, 10 x 5 1/2 in (Wheelchair Width: 19 to 22 in)	1
4	9007668	Footplate - Carbon, One Piece, 12 x 5 1/2 in (Wheelchair Width: 19 to 22 in)	1
5	9007660	Footplate - Aluminum, One Piece, 4 x 5 1/2 in (For Special Config Only)	1
6	9007661	Footplate - Aluminum, One Piece, 6 x 5 1/2 in (Wheelchair Width: 14 to 16 in)	1
7	9007662	Footplate - Aluminum, One Piece, 8 x 5 1/2 in (Wheelchair Width: 17 to 18 in)	1
8	9007663	Footplate - Aluminum, One Piece, 10 x 5 1/2 in (Wheelchair Width: 19 to 22 in)	1
9	9007664	Footplate - Aluminum, One Piece, 12 x 5 1/2 in (Wheelchair Width: 12 to 13 in)	1

**ONE PIECE CARBON FOOTPLATES**



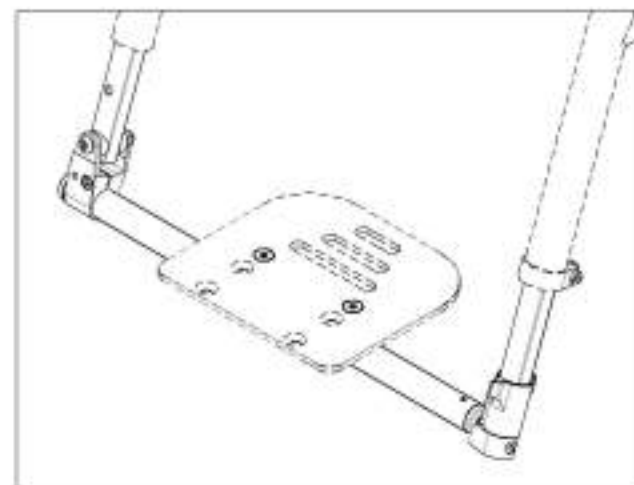
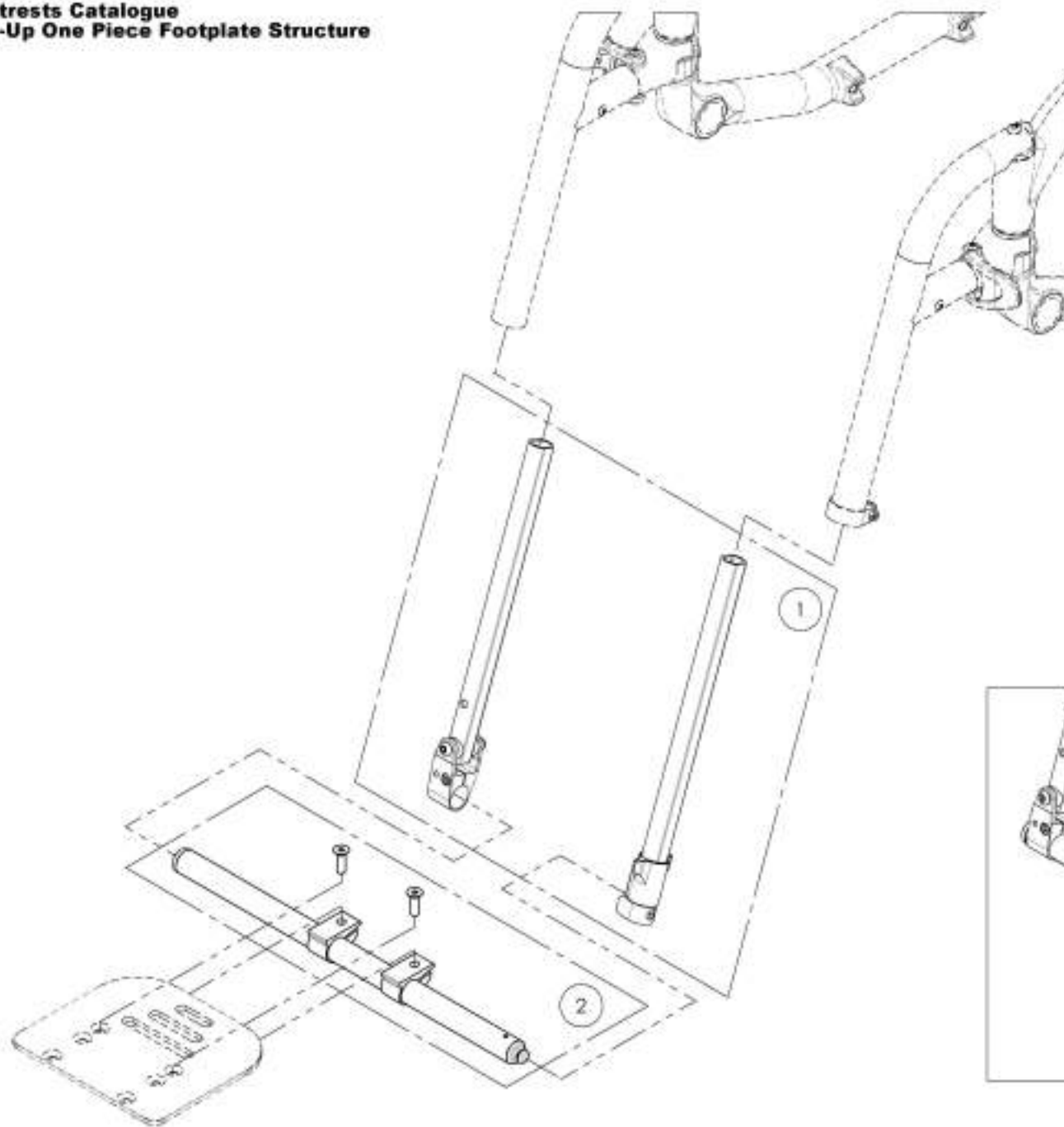
**ONE PIECE ALUMINUM FOOTPLATES**



MAKE SURE TO HAVE YOUR SERIAL NUMBER  
 NEARBY WHEN ORDERING PARTS FOR YOUR  
 MOTION COMPOSITES WHEELCHAIR

**Footrests Catalogue**  
**Flip-Up One Piece Footplate Structure**

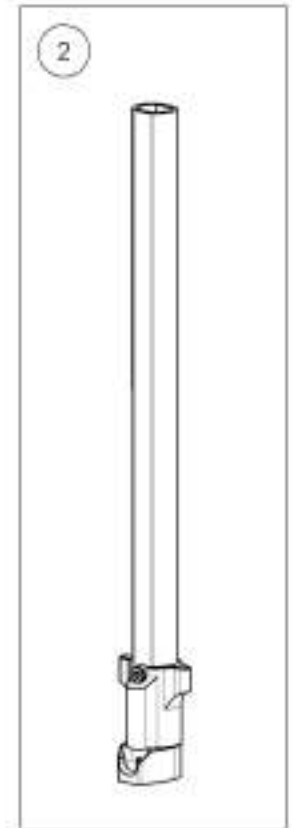
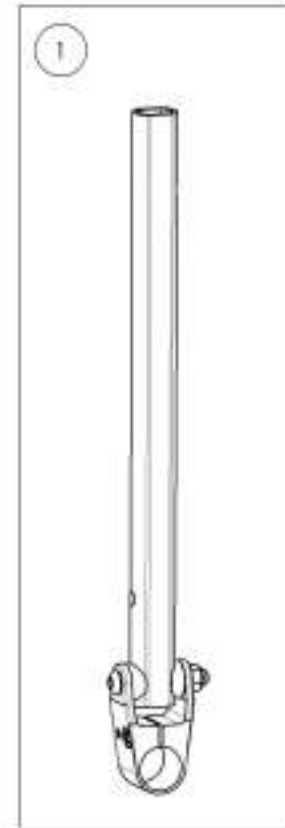
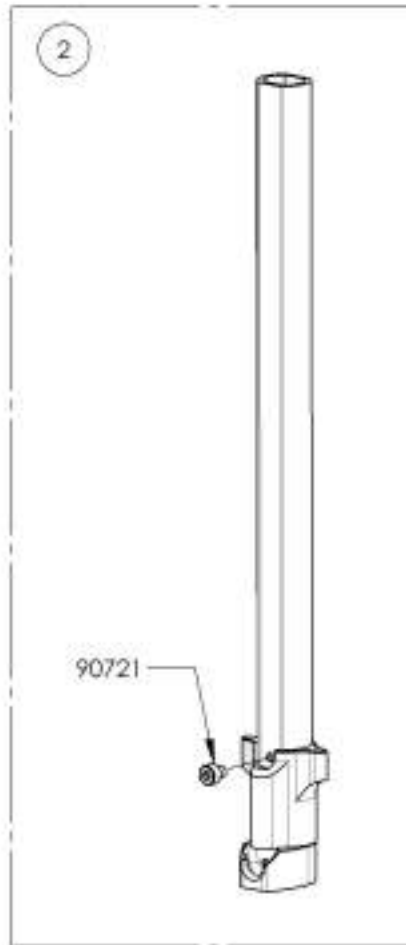
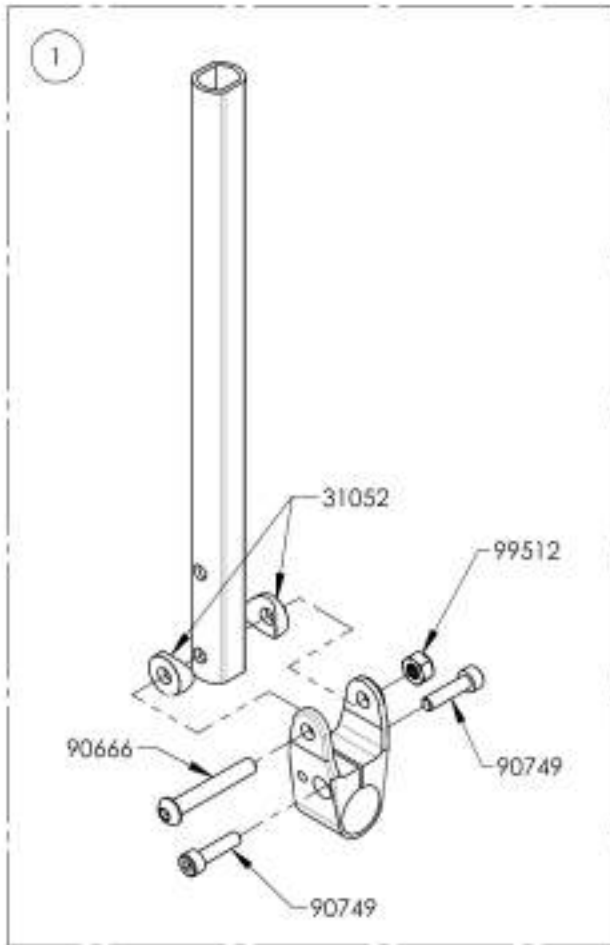
ITEM NO.	PARTNO	DESCRIPTION	QTY
1	9001300	Extension - Flip-Up One Piece Footplate	1
2	9007669	Base Tube - Flip-Up One Piece Footplate	1



MAKE SURE TO HAVE YOUR SERIAL NUMBER  
 NEARBY WHEN ORDERING PARTS FOR YOUR  
 MOTION COMPOSITES WHEELCHAIR

**9001380**  
**Extension - Flip-Up One Piece Footplate**

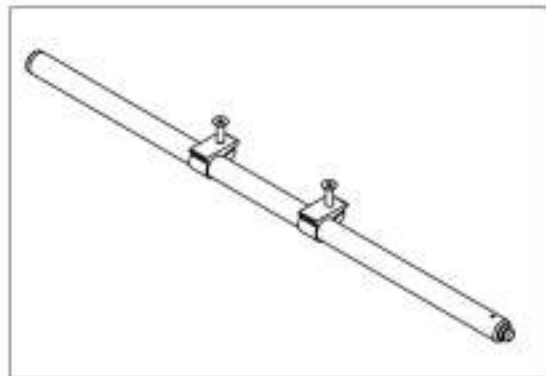
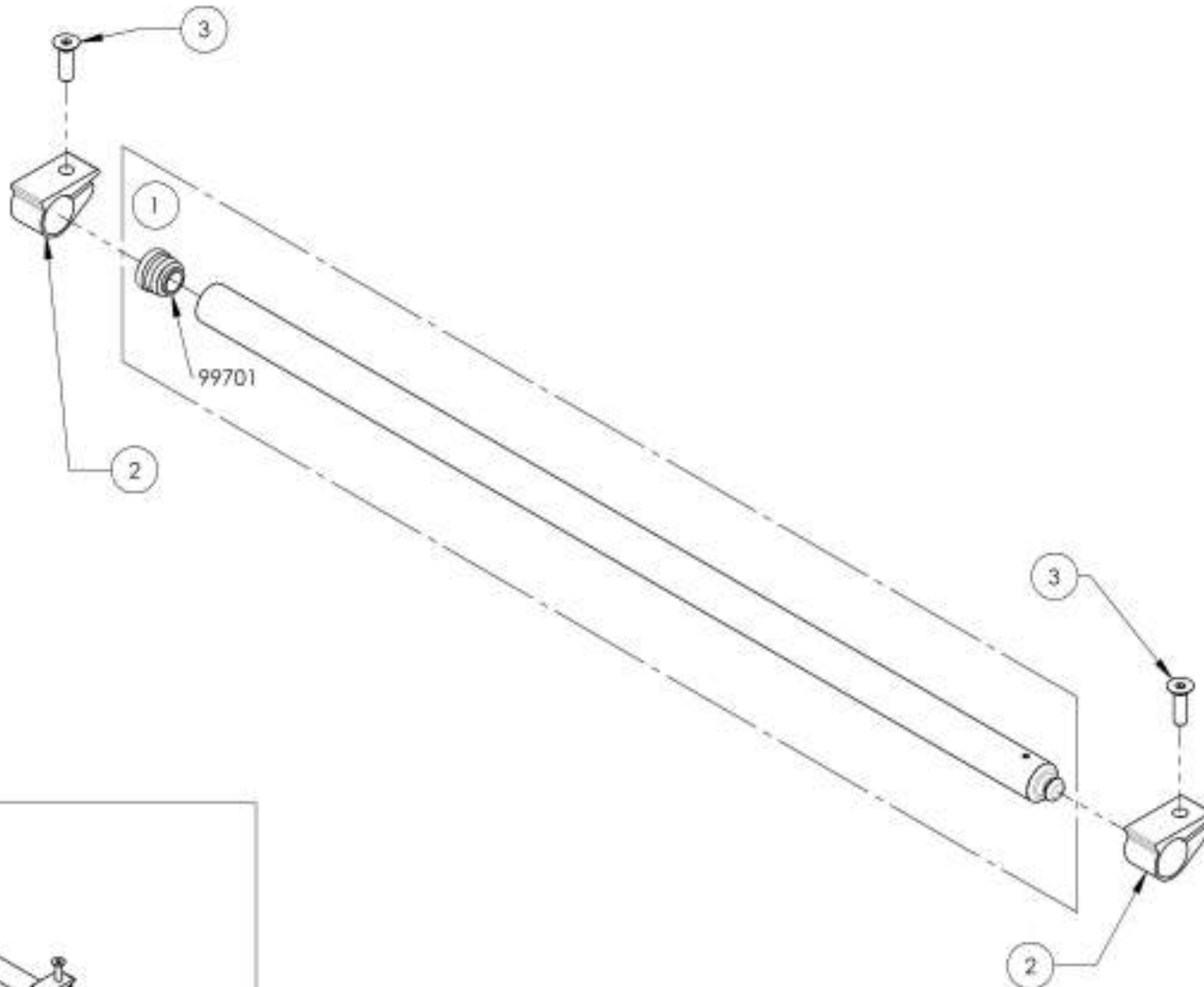
ITEM NO.	PARTNO	DESCRIPTION	9001380 QTY.
1	31570	V2 PF PIVOT SIDE LONG EXTENSION TUBE - ASSEMBLY	1
2	31571	V2 PF ANCHOR SIDE LONG EXTENSION TUBE - ASSEMBLY	1



MAKE SURE TO HAVE YOUR SERIAL NUMBER  
 NEARBY WHEN ORDERING PARTS FOR YOUR  
 MOTION COMPOSITES WHEELCHAIR

**9007669**  
**Base Tube - Flip-up One Piece Footplate**

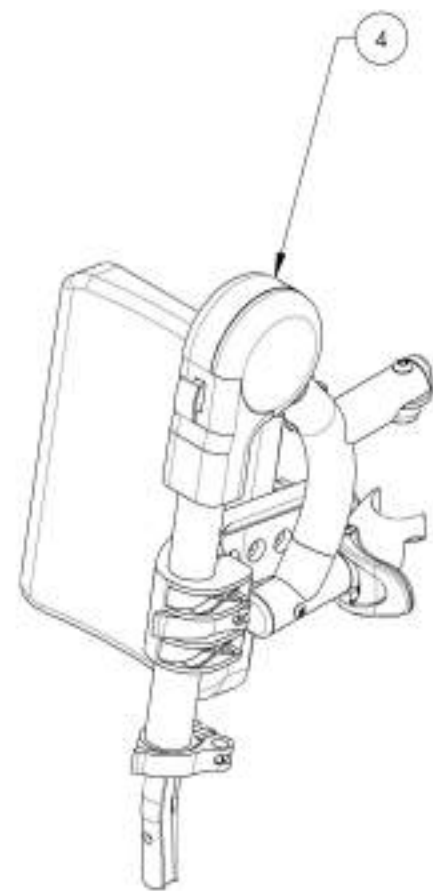
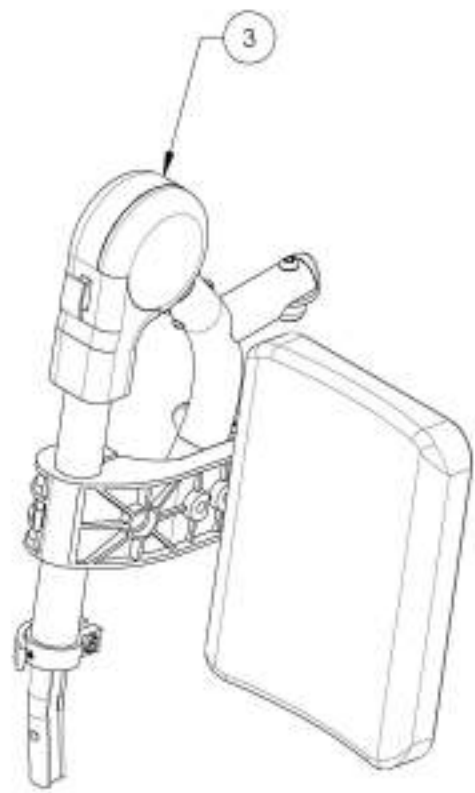
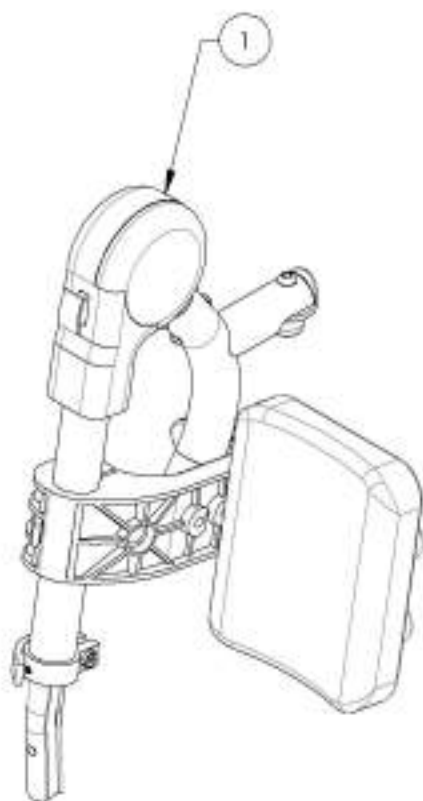
ITEM NO.	PARTNO	DESCRIPTION	9007669 QTY.
1	31561	V2 20-1_2" PF MAIN TUBE - ASSEMBLY	1
2	31116	ANGLE ADJUSTABLE FOOTPLATE CLAMP	2
3	90868	FLAT HEAD CAP SCREW MAX1 X 20mm LONG, FULLY THREADED + BLUE THREADLOCKER - BLACK ZINC	2



MAKE SURE TO HAVE YOUR SERIAL NUMBER  
NEARBY WHEN ORDERING PARTS FOR YOUR  
MOTION COMPOSITES WHEELCHAIR

**Footrests Catalogue**  
**Elevating Legrests - Swing-In/Swing-Out**

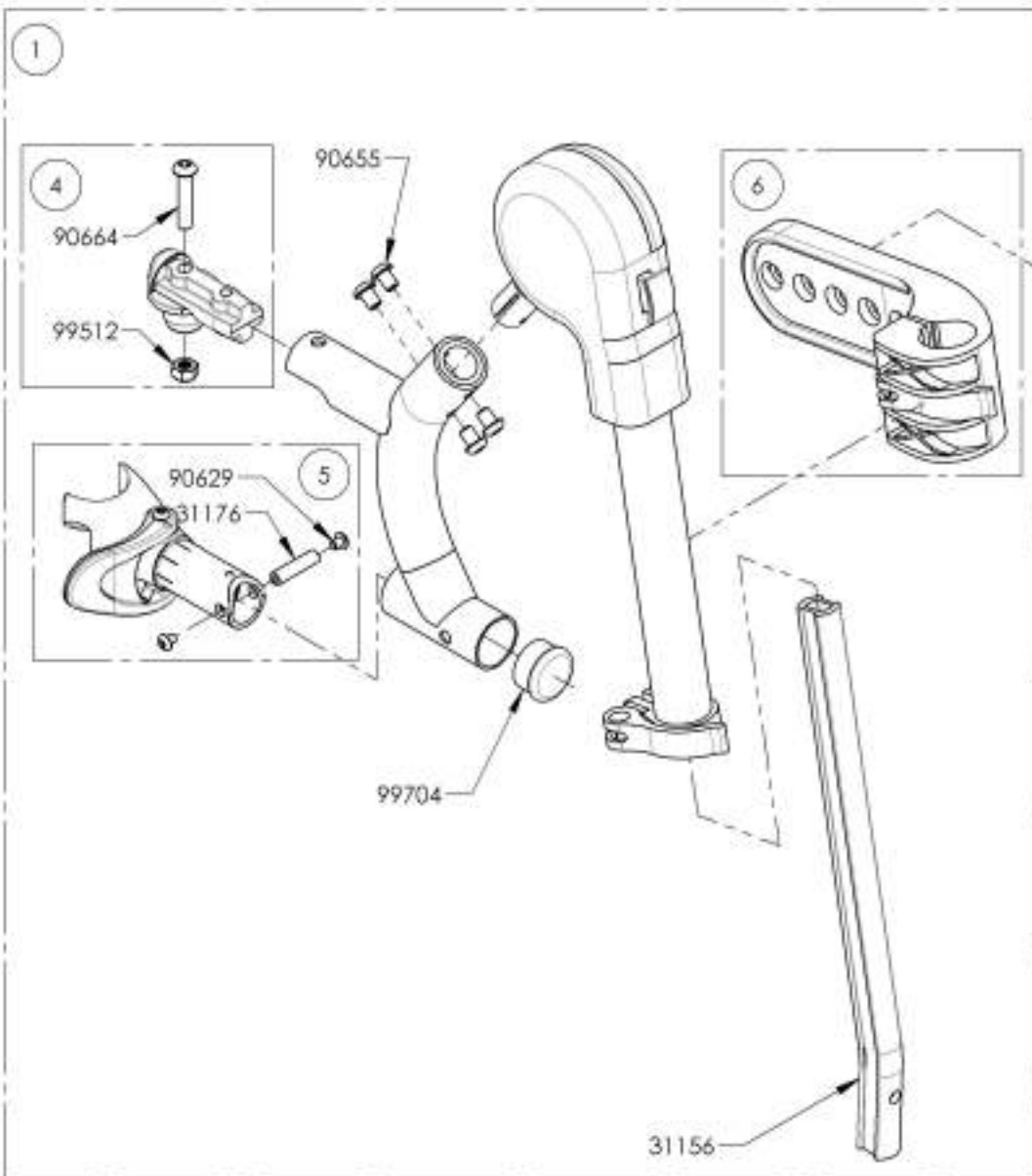
ITEM NO.	PARTNO	DESCRIPTION	QTY.
1	9001354	Elevating Legrest + Calf Pad - Swing-In/Swing-Out, Right (Wheelchair Width: 14 to 16 in)	1
2	9001356	Elevating Legrest + Calf Pad - Swing-In/Swing-Out, Left (Wheelchair Width: 14 to 16 in)	1
3	9001355	Elevating Legrest + Calf Pad - Swing-In/Swing-Out, Right (Wheelchair Width: 17 to 22 in)	1
4	9001357	Elevating Legrest + Calf Pad - Swing-In/Swing-Out, Left (Wheelchair Width: 17 to 22 in)	1



MAKE SURE TO HAVE YOUR SERIAL NUMBER  
 NEARBY WHEN ORDERING PARTS FOR YOUR  
 MOTION COMPOSITES WHEELCHAIR

**9001354\_9001355**  
**Elevating Legrest + Calf Pad - Swing-In/Swing-Out, Right**

ITEM NO.	PART NO.	DESCRIPTION	9001354 /QTY.	9001355 /QTY.	REPLACEMENT PARTS/QTY.
1	31564	V2 ELEVATING LEGREST RIGHT	1	1	-
2	31140	14-16" RIGHT ELEVATING LEGREST CALF PAD	1	-	-
3	31142	17-22" RIGHT ELEVATING LEGREST CALF PAD	-	1	-
4	31551	V2 FOOTREST PIVOT - ASSEMBLY	-	-	1
5	31550	V2 FOOTREST HOUSING RIGHT - ASSEMBLY	-	-	1
6	31158	ELEVATING LEGREST CALF PAD SUPPORT	-	-	1



**9001354**  
**Elevating Legrest + Calf Pad -**  
**Swing-In/Swing-Out, Right**  
**(Wheelchair Width: 14 to 16 in)**



**9001355**  
**Elevating Legrest + Calf Pad -**  
**Swing-In/Swing-Out, Right**  
**(Wheelchair Width: 17 to 22 in)**



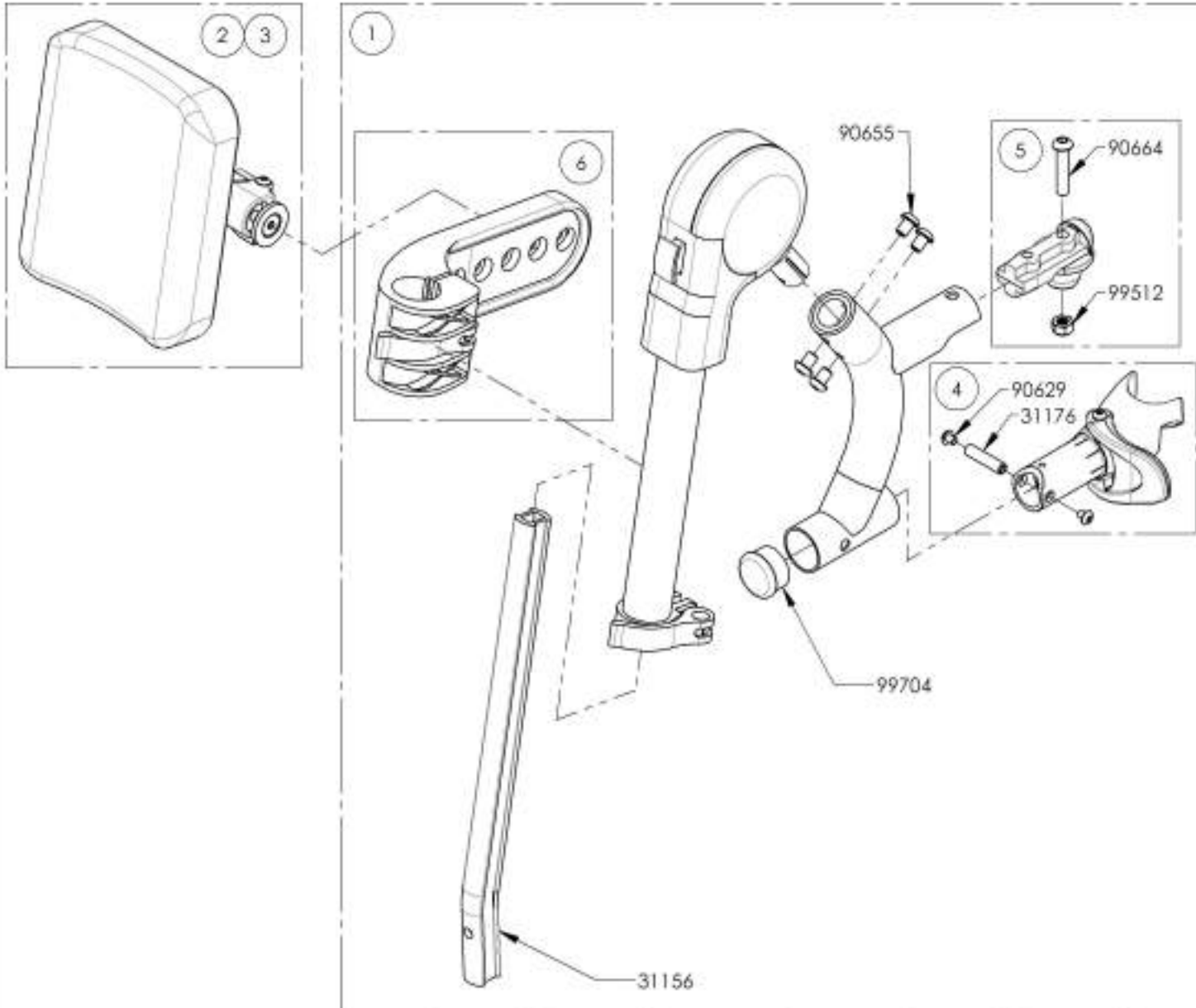
MAKE SURE TO HAVE YOUR SERIAL NUMBER  
 NEARBY WHEN ORDERING PARTS FOR YOUR  
 MOTION COMPOSITES WHEELCHAIR



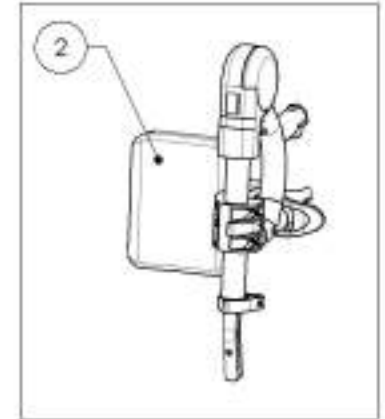
**9001356\_9001357**

**Elevating Legrest + Calf Pad - Swing-In/Swing-Out, Left**

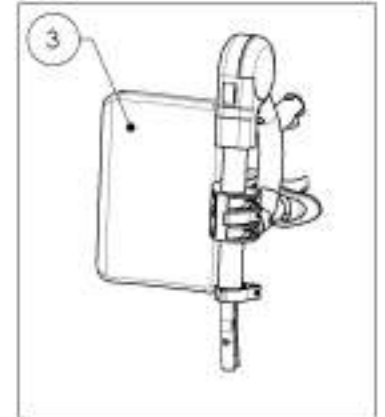
ITEM NO.	PART NO.	DESCRIPTION	9001356 /QTY.	9001357 /QTY.	REPLACEMENT PARTS/QTY.
1	31565	V2 ELEVATING LEGREST LEFT	1	1	-
2	31141	14-16" LEFT ELEVATING LEGREST CALF PAD	1	-	-
3	31143	17-22" LEFT ELEVATING LEGREST CALF PAD	-	1	-
4	31551	V2 FOOTREST PIVOT - ASSEMBLY	-	-	1
5	31549	V2 FOOTREST HOUSING LEFT - ASSEMBLY	-	-	1
6	31158	ELEVATING LEGREST CALF PAD SUPPORT	-	-	1



**9001356**  
Elevating Legrest + Calf Pad -  
Swing-In/Swing-Out, Left  
(Wheelchair Width: 14 to 16 in)



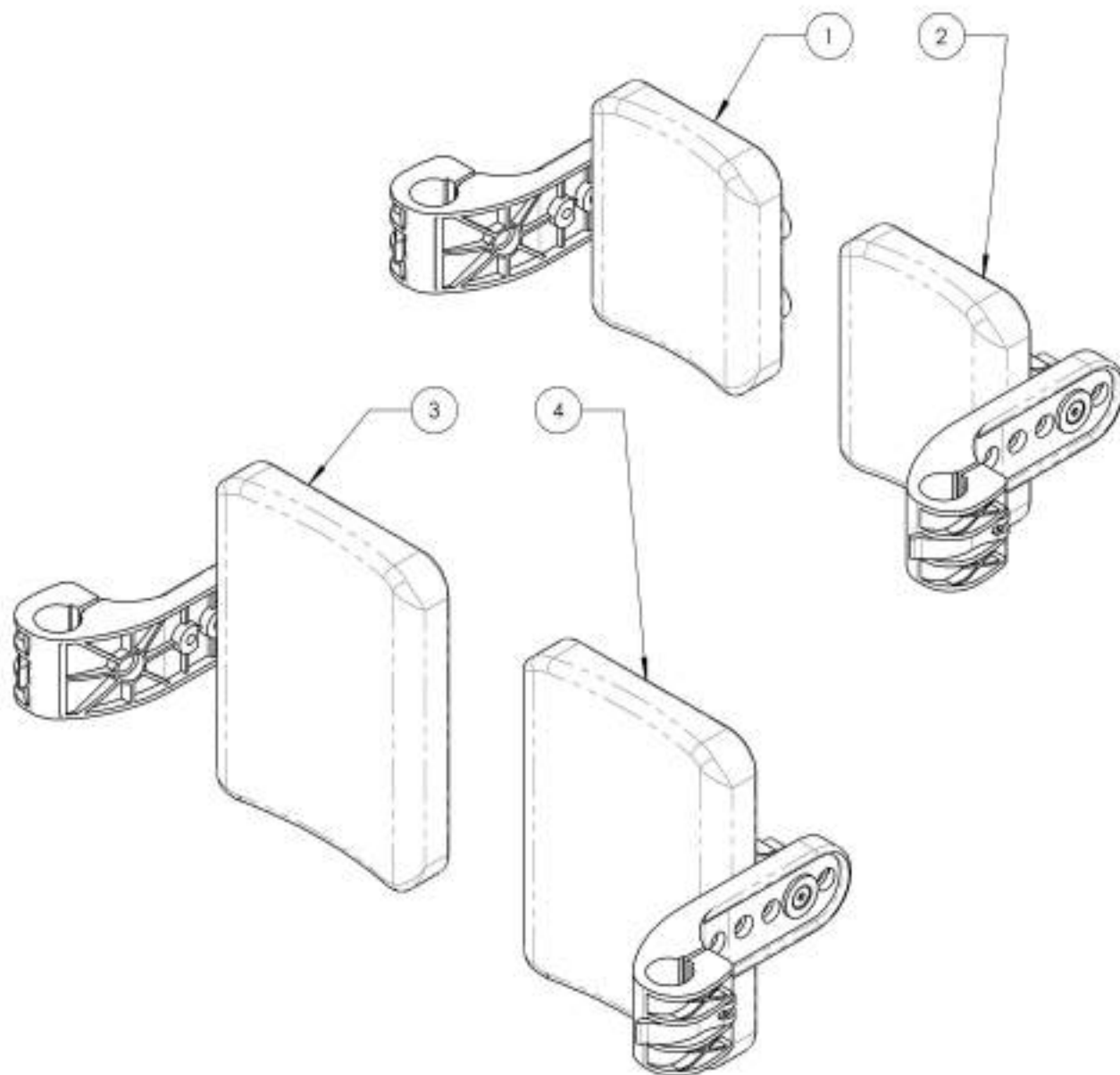
**9001357**  
Elevating Legrest + Calf Pad -  
Swing-In/Swing-Out, Left  
(Wheelchair Width: 17 to 22 in)



MAKE SURE TO HAVE YOUR SERIAL NUMBER  
NEARBY WHEN ORDERING PARTS FOR YOUR  
MOTION COMPOSITES WHEELCHAIR

**Footrests Catalogue**  
**Calf Pad - Complete Assembly**

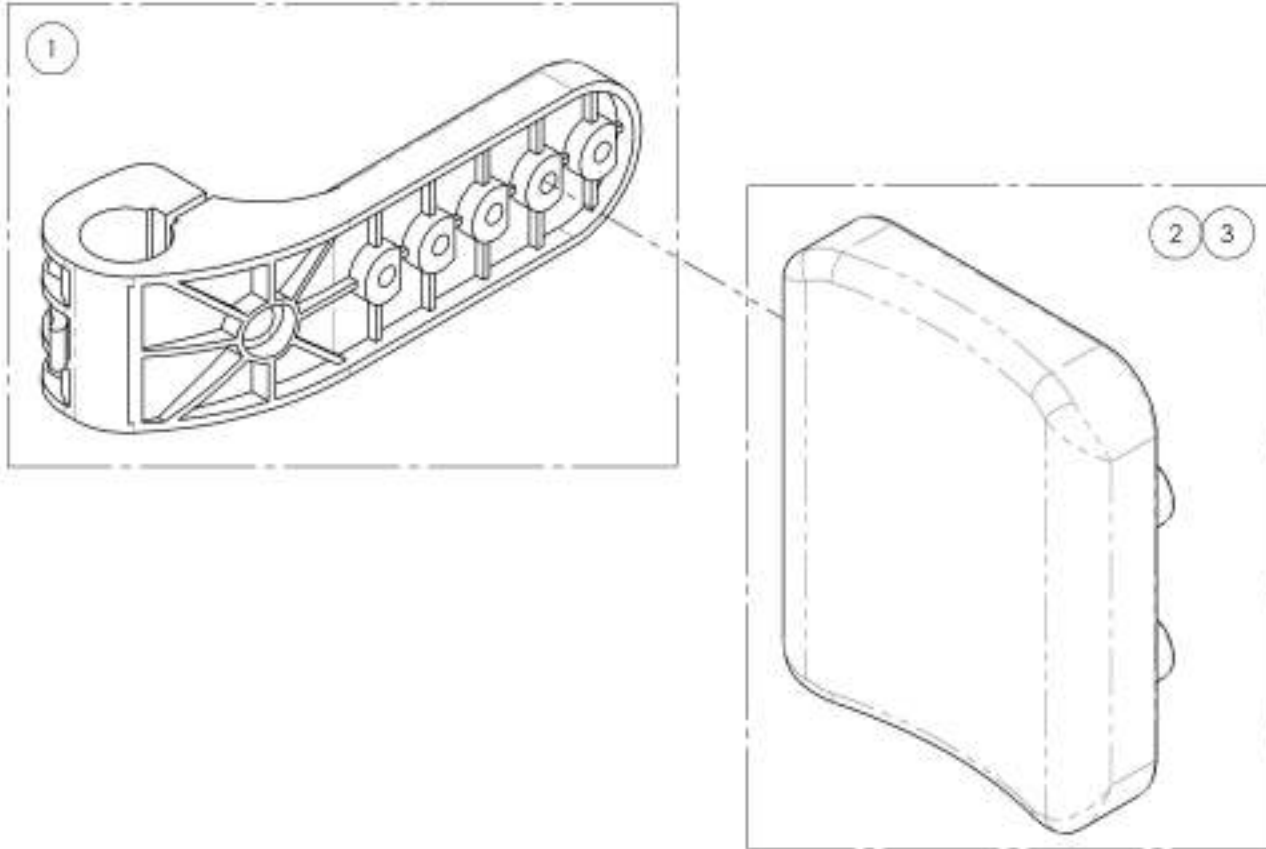
ITEM NO.	PARTNO	DESCRIPTION	QTY
1	9001109	Calf Pad - Complete Assembly, Right (Wheelchair Width: 14 to 16 in)	1
2	9001111	Calf Pad - Complete Assembly, Left (Wheelchair Width: 14 to 16 in)	1
3	9001110	Calf Pad - Complete Assembly, Right (Wheelchair Width: 17 to 22 in)	1
4	9001112	Calf Pad - Complete Assembly, Left (Wheelchair Width: 17 to 22 in)	1



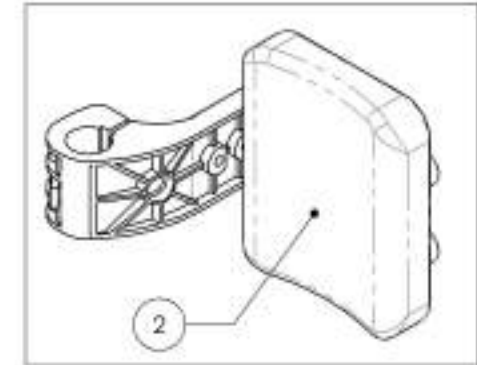
MAKE SURE TO HAVE YOUR SERIAL NUMBER  
 NEARBY WHEN ORDERING PARTS FOR YOUR  
 MOTION COMPOSITES WHEELCHAIR

**9001109\_9001110**  
**Calf Pad - Complete Assembly, Right**

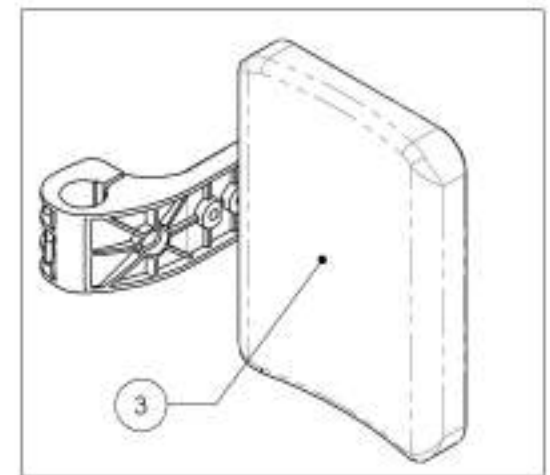
ITEM NO.	PARTNO	DESCRIPTION	9001109 /QTY.	9001110 /QTY.
1	31158	ELEVATING LEGREST CALF PAD SUPPORT	1	1
2	31140	14-16" RIGHT ELEVATING LEGREST CALF PAD	1	-
3	31142	17-22" RIGHT ELEVATING LEGREST CALF PAD	-	1



9001109  
 Calf Pad - Complete Assembly, Right  
 (Wheelchair Width: 14 to 16 in)



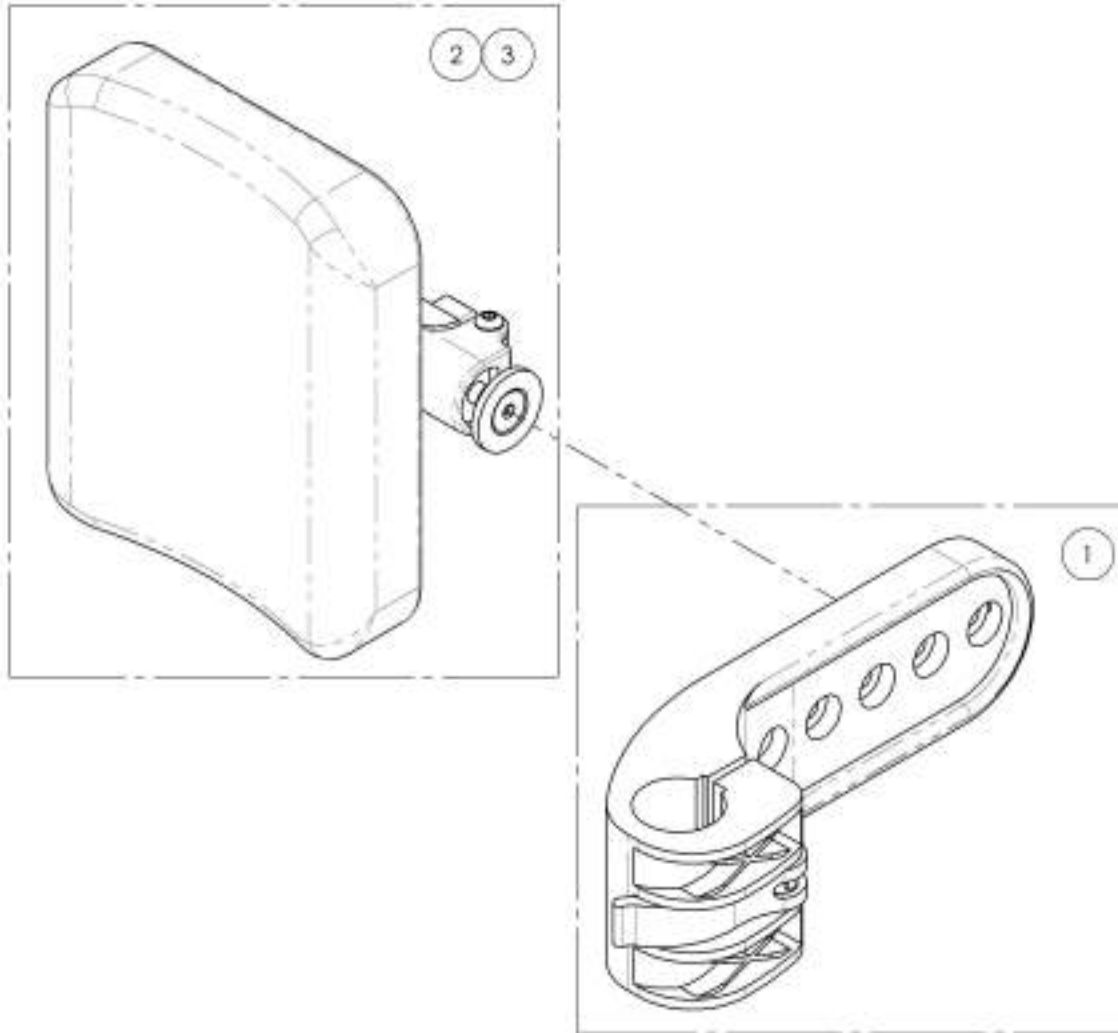
9001110  
 Calf Pad - Complete Assembly, Right  
 (Wheelchair Width: 17 to 22 in)



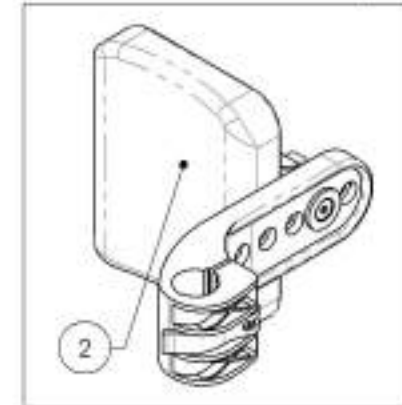
MAKE SURE TO HAVE YOUR SERIAL NUMBER  
 NEARBY WHEN ORDERING PARTS FOR YOUR  
 MOTION COMPOSITES WHEELCHAIR

**9001111\_9001112**  
**Calf Pad - Complete Assembly, Left**

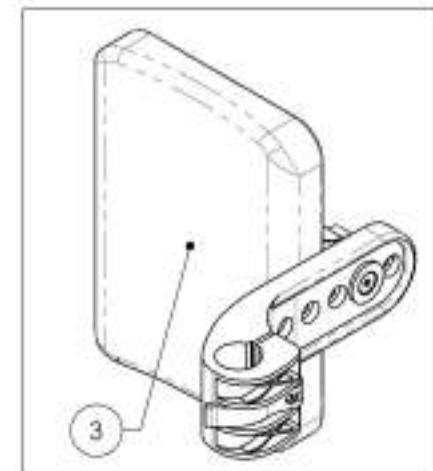
ITEM NO.	PARTNO	DESCRIPTION	9001111 /QTY.	9001112 /QTY.
1	31138	ELEVATING LEGREST CALF PAD SUPPORT	1	1
2	31141	14-16" LEFT ELEVATING LEGREST CALF PAD	1	-
3	31143	17-22" LEFT ELEVATING LEGREST CALF PAD	-	1



9001111  
 Calf Pad - Complete Assembly, Left  
 (Wheelchair Width: 14 to 16 in)



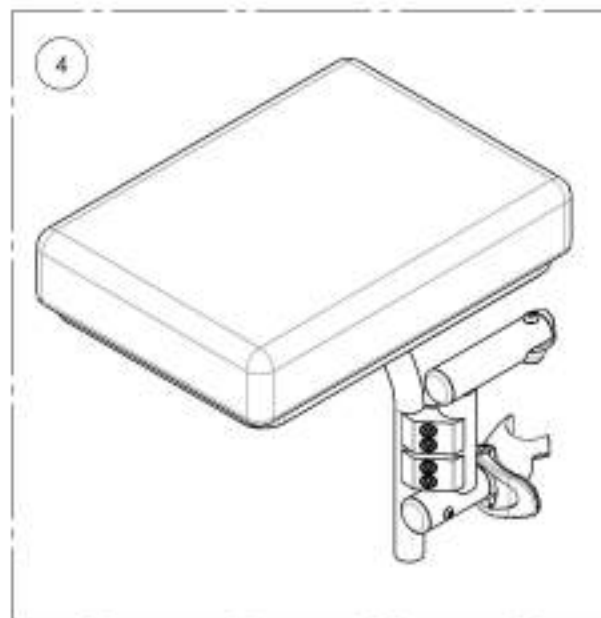
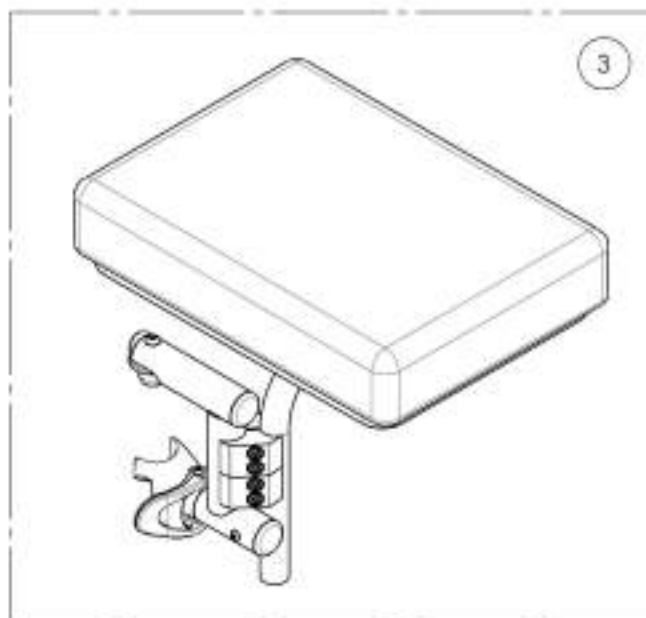
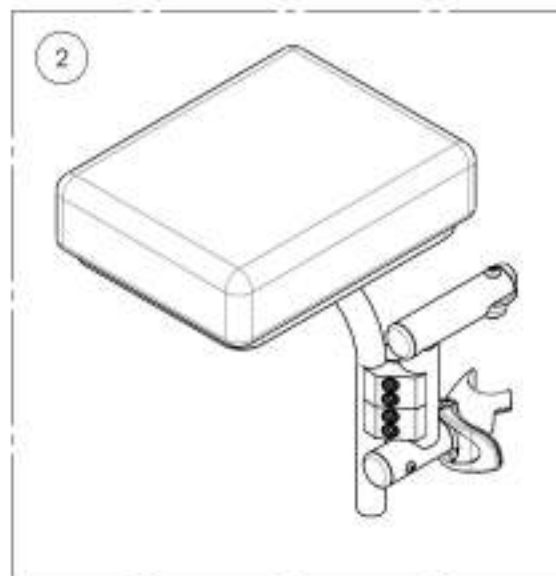
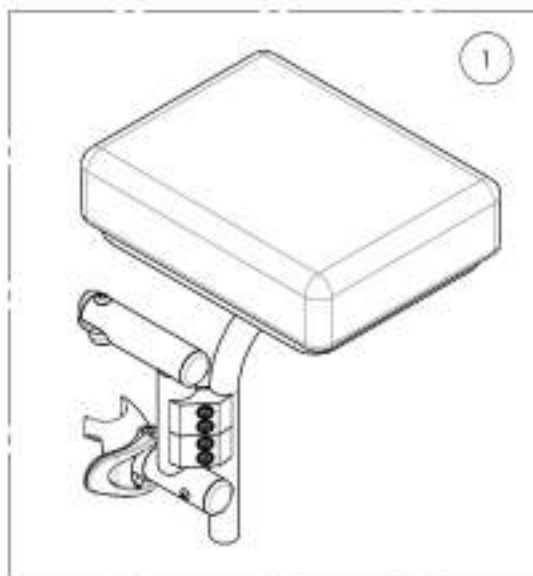
9001112  
 Calf Pad - Complete Assembly, Left  
 (Wheelchair Width: 17 to 22 in)



MAKE SURE TO HAVE YOUR SERIAL NUMBER  
 NEARBY WHEN ORDERING PARTS FOR YOUR  
 MOTION COMPOSITES WHEELCHAIR

**Footrests Catalogue**  
**Stump Supports - Swing-In/Swing-Out**

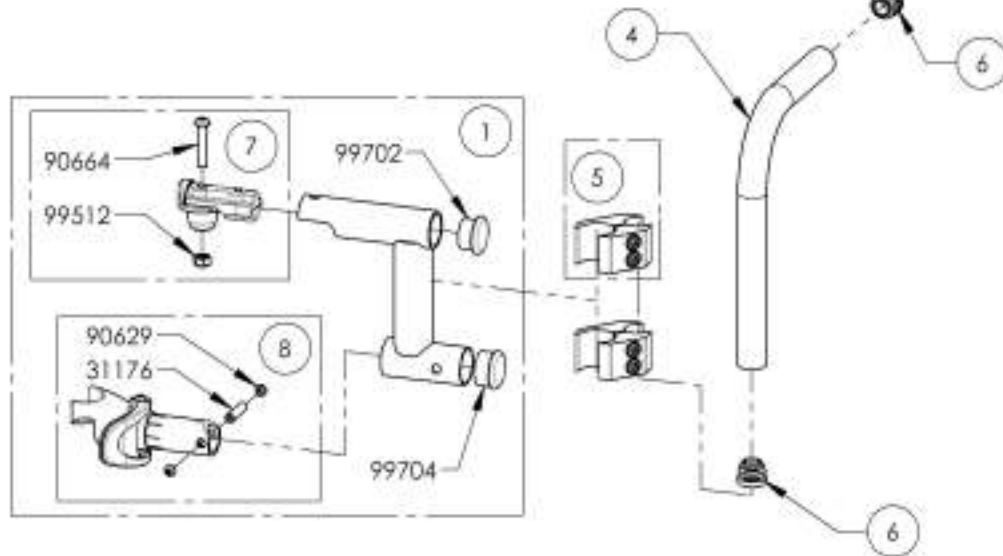
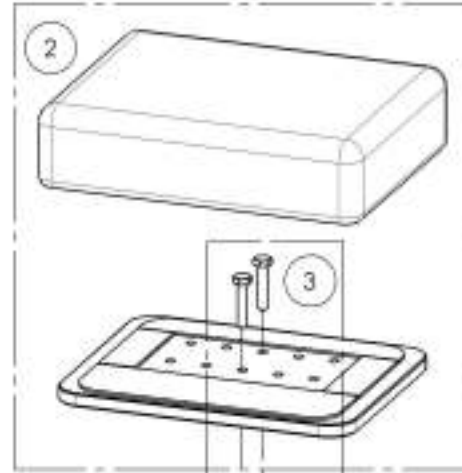
ITEM NO.	PARTNO	DESCRIPTION	QTY.
1	9002416	Stump Support - Swing-In/Swing-Out, Right, 7 x 9 in	1
2	9002417	Stump Support - Swing-In/Swing-Out, Left, 7 x 9 in	1
3	9001358	Stump Support - Swing-In/Swing-Out, Right, 8 x 11 in	1
4	9001359	Stump Support - Swing-In/Swing-Out, Left, 8 x 11 in	1



MAKE SURE TO HAVE YOUR SERIAL NUMBER  
 NEARBY WHEN ORDERING PARTS FOR YOUR  
 MOTION COMPOSITES WHEELCHAIR

**9002416**  
**Residual Limb Support - Swing-In/Swing-Out, Right, 7 x 9 in**

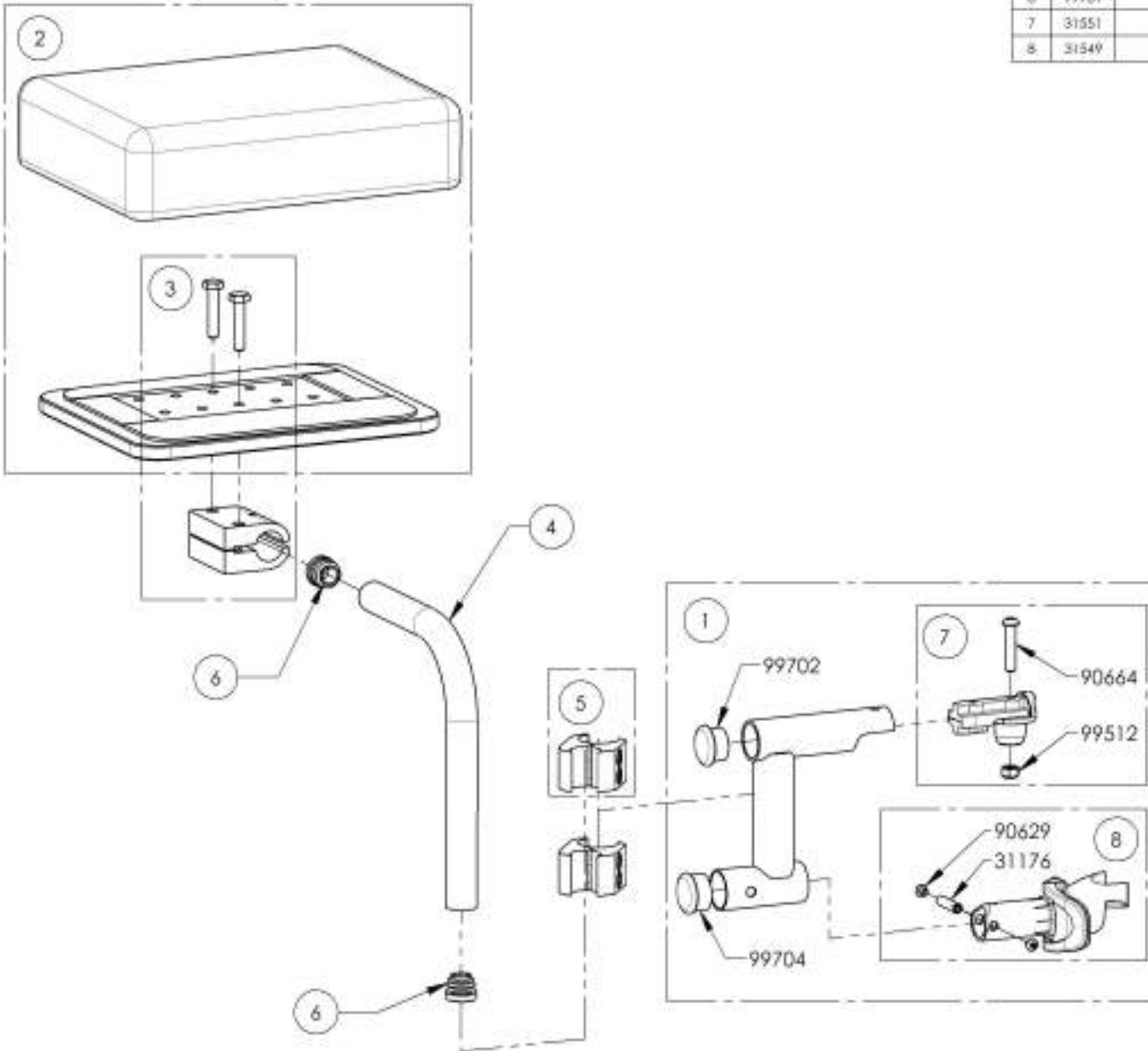
ITEM NO.	PARTNO	DESCRIPTION	9002416 /QTY.	REPLACEMENT PARTS/QTY.
1	31581	V2 UNIVERSAL LEGREST HANGER RIGHT - ASSEMBLY	1	-
2	31296	RESIDUAL LIMB SUPPORT PAD & BASE PLATE 7 x 9in - ASSY	1	-
3	31323	RESIDUAL LIMB SUPPORT STRUCTURE CLAMP	1	-
4	31322	RESIDUAL LIMB SUPPORT STRUCTURE TUBE	1	-
5	41703	0.75-1 in CLAMP - ASSY	2	-
6	99701	CAP 0.75 in	2	-
7	31551	V2 FOOTREST PINOT - ASSEMBLY	-	1
8	31550	V2 FOOTREST HOUSING RIGHT - ASSEMBLY	-	1



MAKE SURE TO HAVE YOUR SERIAL NUMBER  
 NEARBY WHEN ORDERING PARTS FOR YOUR  
 MOTION COMPOSITES WHEELCHAIR

**9002417**  
**Residual Limb Support - Swing-In/Swing-Out, Left, 7 x 9 in**

ITEM NO.	PARTNO	DESCRIPTION	9002417 /QTY.	REPLACEMENT PARTS/QTY.
1	31580	V2 UNIVERSAL LEGREST HANGER LEFT - ASSEMBLY	1	-
2	31296	RESIDUAL LIMB SUPPORT PAD & BASE PLATE 7 x 9in - ASSY	1	-
3	31323	RESIDUAL LIMB SUPPORT STRUCTURE CLAMP	1	-
4	31322	RESIDUAL LIMB SUPPORT STRUCTURE TUBE	1	-
5	41703	0.75-1 in CLAMP - ASSY	2	-
6	99701	CAP 0.75 in	2	-
7	31551	V2 FOOTREST PIVOT - ASSEMBLY	-	1
8	31549	V2 FOOTREST HOLDING LEFT - ASSEMBLY	-	1

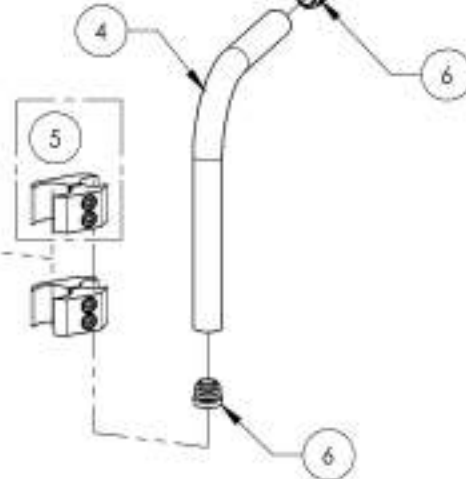
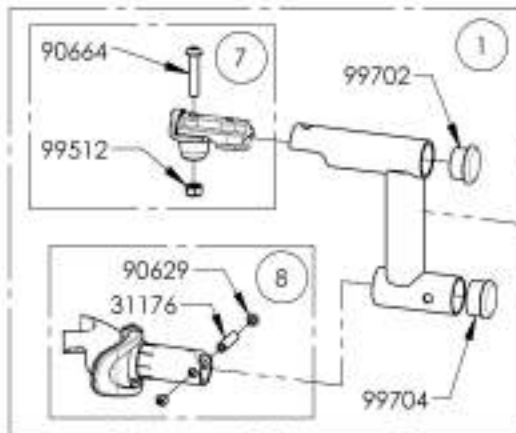
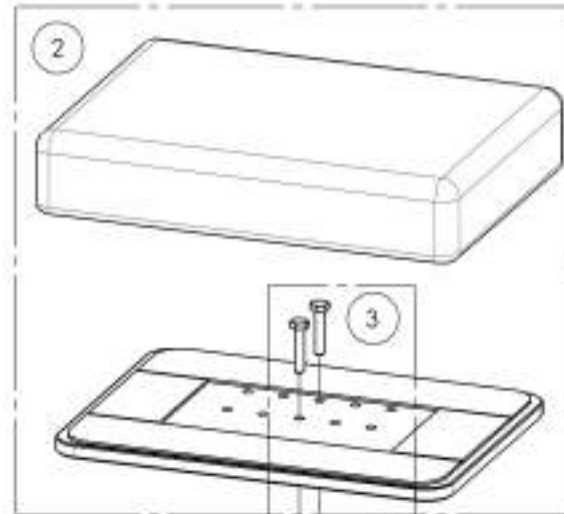


MAKE SURE TO HAVE YOUR SERIAL NUMBER  
 NEARBY WHEN ORDERING PARTS FOR YOUR  
 MOTION COMPOSITES WHEELCHAIR



**9001358**  
**Residual Limb Support - Swing-In/Swing-Out, Right, 8 x 11 in**

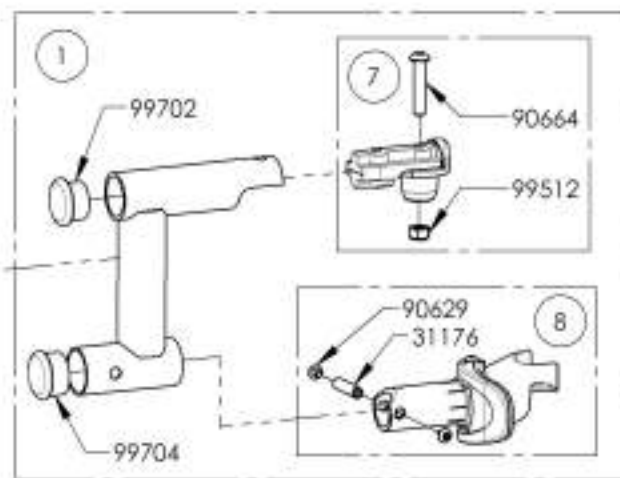
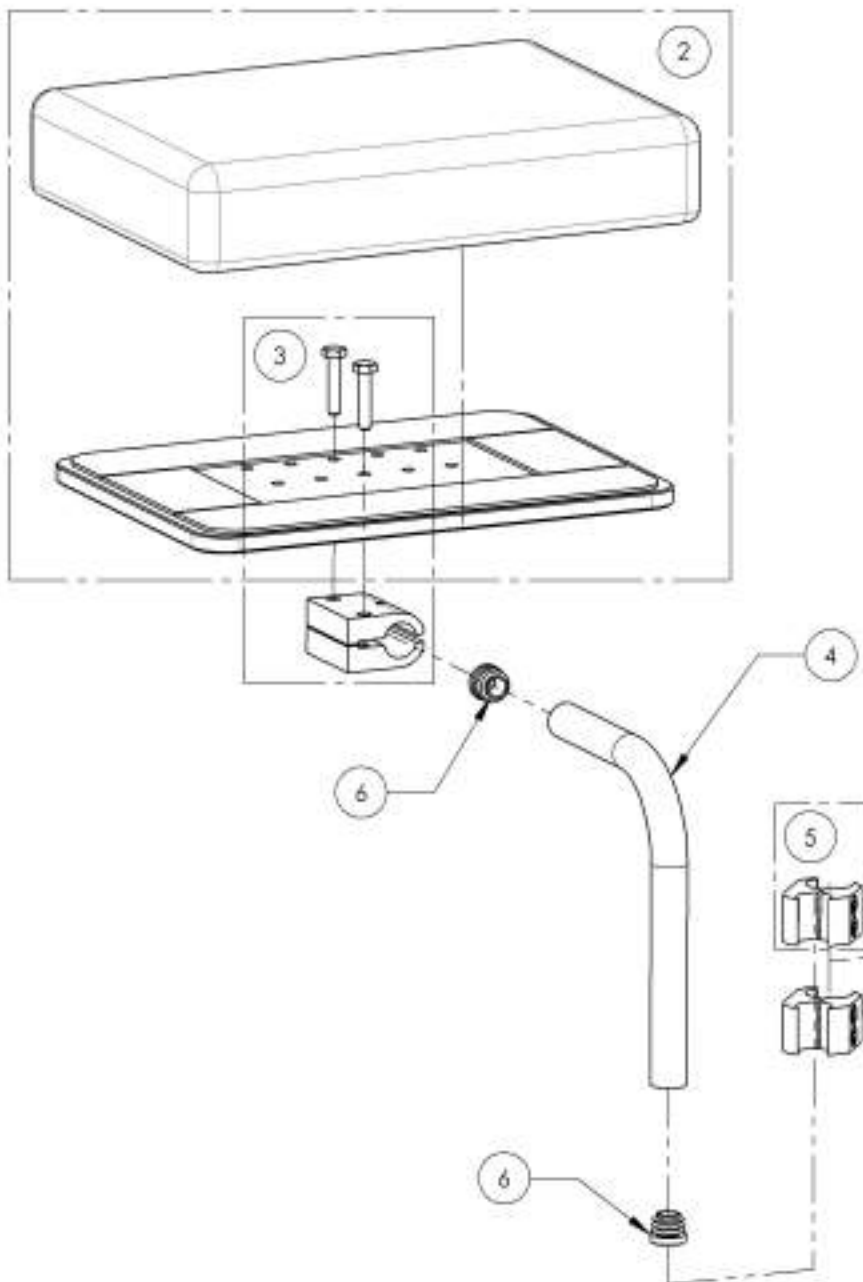
ITEM NO.	PARTNO	DESCRIPTION	9001358 /QTY.	REPLACEMENT PARTS/QTY.
1	31581	V2 UNIVERSAL LEGREST HANGER RIGHT - ASSEMBLY	1	-
2	31153	RESIDUAL LIMB SUPPORT PAD & BASE PLATE 8x11 in - ASSY	1	-
3	31323	RESIDUAL LIMB SUPPORT STRUCTURE CLAMP	1	-
4	31322	RESIDUAL LIMB SUPPORT STRUCTURE TUBE	1	-
5	41703	0.75-1 in CLAMP - ASSY	2	-
6	99701	CAP 0.75 in.	2	-
7	31551	V2 FOOTREST PIVOT - ASSEMBLY	-	1
8	31550	V2 FOOTREST HOUSING RIGHT - ASSEMBLY	-	1



MAKE SURE TO HAVE YOUR SERIAL NUMBER  
 NEARBY WHEN ORDERING PARTS FOR YOUR  
 MOTION COMPOSITES WHEELCHAIR

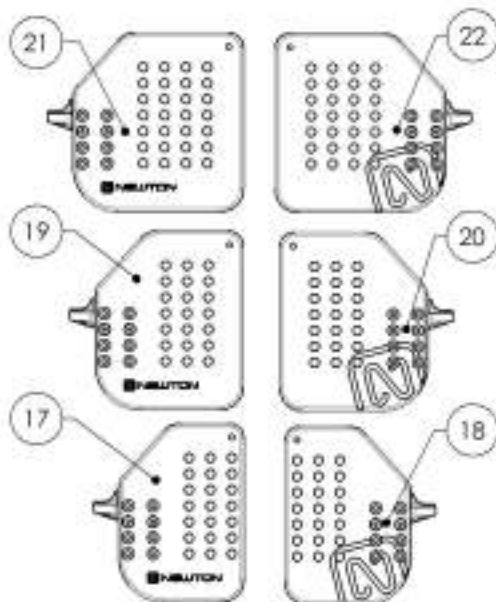
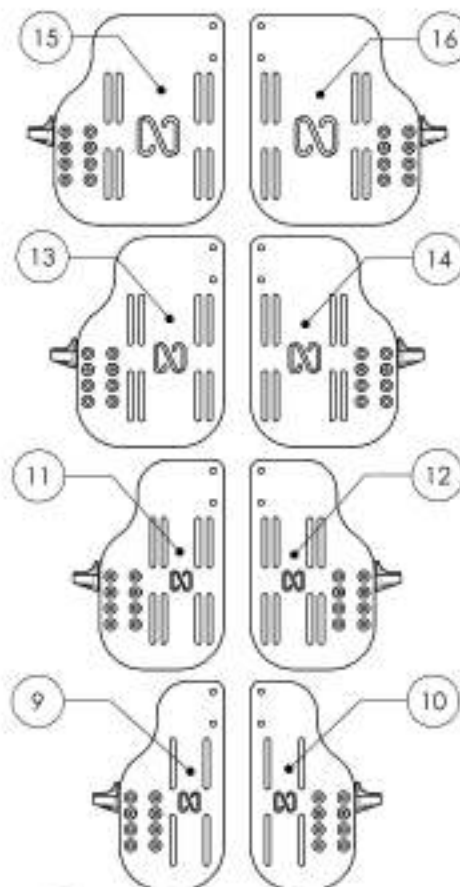
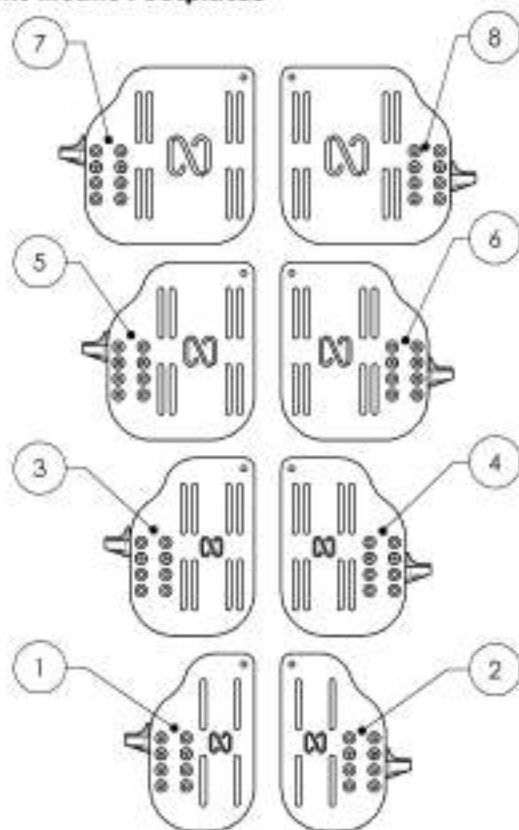
**9001359**  
**Residual Limb Support - Swing-In/Swing-Out, Left, 8 x 11 in**

ITEM NO.	PART NO.	DESCRIPTION	9001359 /QTY.	REPLACEMENT PARTS/QTY.
1	31580	V2 UNIVERSAL LEGREST HANGER LEFT - ASSEMBLY	1	-
2	31153	RESIDUAL LIMB SUPPORT PAD & BASE PLATE 8 x 11 in - ASSY	1	-
3	31323	RESIDUAL LIMB SUPPORT STRUCTURE CLAMP	1	-
4	31322	RESIDUAL LIMB SUPPORT STRUCTURE TUBE	1	-
5	41703	0.75-1 in CLAMP - ASSY	2	-
6	99701	CAP 0.75 in	2	-
7	31551	V2 FOOTREST PIVOT - ASSEMBLY	-	1
8	31549	V2 FOOTREST HOUSING LEFT - ASSEMBLY	-	1

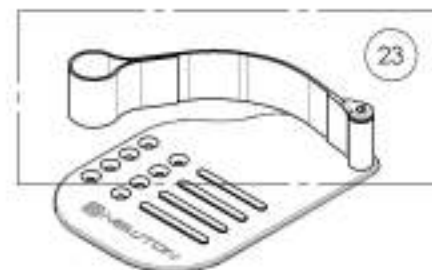


MAKE SURE TO HAVE YOUR SERIAL NUMBER  
 NEARBY WHEN ORDERING PARTS FOR YOUR  
 MOTION COMPOSITES WHEELCHAIR

## Footrests Catalogue Front Mount Footplates



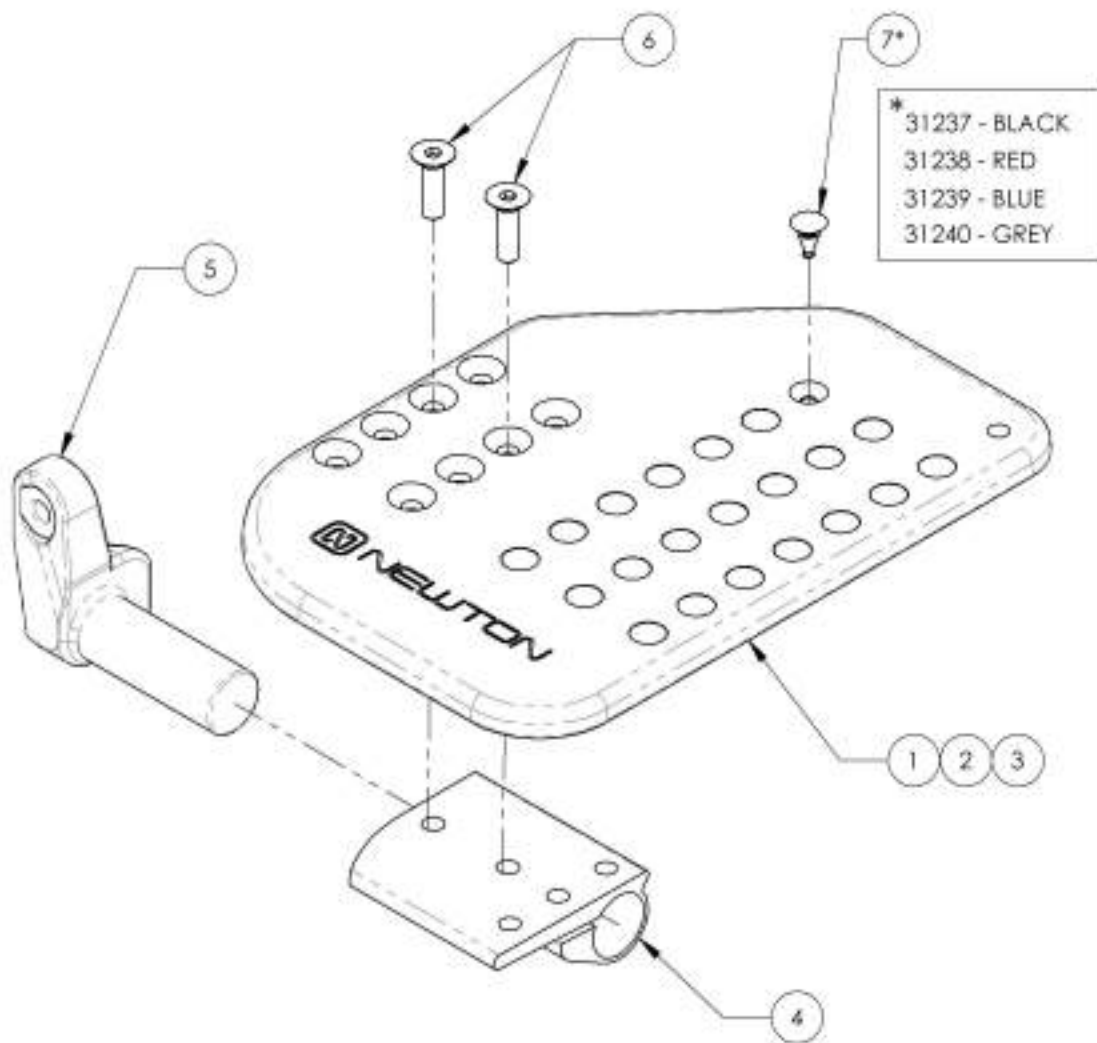
ITEM NO.	PARTNO	DESCRIPTION	QTY
1	9001402	Footplate - Aluminium, Newton Angle Adjustable, Front Mount, Right, 4% x 8 in (Wheelchair Width: 12 to 13 in)	1
2	9001406	Footplate - Aluminium, Newton Angle Adjustable, Front Mount, Left, 4% x 8 in (Wheelchair Width: 12 to 13 in)	1
3	9001403	Footplate - Aluminium, Newton Angle Adjustable, Front Mount, Right, 5% x 8 in (Wheelchair Width: 14 to 16 in)	1
4	9001407	Footplate - Aluminium, Newton Angle Adjustable, Front Mount, Left, 5% x 8 in (Wheelchair Width: 14 to 16 in)	1
5	9001404	Footplate - Aluminium, Newton Angle Adjustable, Front Mount, Right, 6% x 8 in (Wheelchair Width: 17 to 18 in)	1
6	9001408	Footplate - Aluminium, Newton Angle Adjustable, Front Mount, Left, 6% x 8 in (Wheelchair Width: 17 to 18 in)	1
7	9001405	Footplate - Aluminium, Newton Angle Adjustable, Front Mount, Right, 7% x 8 in (Wheelchair Width: 19 in +)	1
8	9001409	Footplate - Aluminium, Newton Angle Adjustable, Front Mount, Left, 7% x 8 in (Wheelchair Width: 19 in +)	1
9	9001394	Footplate - Aluminium, Newton Angle Adjustable, Front Mount, Right, 4% x 9% in (Wheelchair Width: 12 to 13 in)	1
10	9001396	Footplate - Aluminium, Newton Angle Adjustable, Front Mount, Left, 4% x 9% in (Wheelchair Width: 12 to 13 in)	1
11	9001395	Footplate - Aluminium, Newton Angle Adjustable, Front Mount, Right, 5% x 9% in (Wheelchair Width: 14 to 16 in)	1
12	9001397	Footplate - Aluminium, Newton Angle Adjustable, Front Mount, Left, 5% x 9% in (Wheelchair Width: 14 to 16 in)	1
13	9002865	Footplate - Aluminium, Newton Angle Adjustable, Front Mount, Right, 6% x 9% in (Wheelchair Width: 17 to 18 in)	1
14	9002867	Footplate - Aluminium, Newton Angle Adjustable, Front Mount, Left, 6% x 9% in (Wheelchair Width: 17 to 18 in)	1
15	9002866	Footplate - Aluminium, Newton Angle Adjustable, Front Mount, Right, 7% x 9% in (Wheelchair Width: 19 in +)	1
16	9002868	Footplate - Aluminium, Newton Angle Adjustable, Front Mount, Left, 7% x 9% in (Wheelchair Width: 19 in +)	1
17	9002859	Footplate - Composite, Newton Angle Adjustable, Front Mount, Right, 5% x 8 in (Wheelchair Width: 14 to 16 in)	1
18	9002862	Footplate - Composite, Newton Angle Adjustable, Front Mount, Left, 5% x 8 in (Wheelchair Width: 14 to 16 in)	1
19	9002860	Footplate - Composite, Newton Angle Adjustable, Front Mount, Right, 6% x 8 in (Wheelchair Width: 17 to 18 in)	1
20	9002863	Footplate - Composite, Newton Angle Adjustable, Front Mount, Left, 6% x 8 in (Wheelchair Width: 17 to 18 in)	1
21	9002861	Footplate - Composite, Newton Angle Adjustable, Front Mount, Right, 7% x 8 in (Wheelchair Width: 19 in +)	1
22	9002864	Footplate - Composite, Newton Angle Adjustable, Front Mount, Left, 7% x 8 in (Wheelchair Width: 19 in +)	1
23	9001411	Heel Loop - Length Adjustable	1



MAKE SURE TO HAVE YOUR SERIAL NUMBER NEARBY WHEN ORDERING PARTS FOR YOUR MOTION COMPOSITES WHEELCHAIR

**9002859\_9002861**

**Footplate - Composite, Newton Angle Adjustable, Front Mount, Right**



ITEM NO.	PART NO.	DESCRIPTION	9002859 /QTY.	9002860 /QTY.	9002861 /QTY.
1	31229	14-16" RIGHT PLASTIC ANGLE ADJUSTABLE FOOTPLATE	1	-	-
2	31231	17-18" RIGHT PLASTIC ANGLE ADJUSTABLE FOOTPLATE	-	1	-
3	31233	19-20" RIGHT PLASTIC ANGLE ADJUSTABLE FOOTPLATE	-	-	1
4	31235	RIGHT PLASTIC ANGLE ADJUSTABLE FOOTPLATE EXTRUSION	1	1	1
5	31112	DIRECT MOUNT ANGLE ADJUSTABLE FOOTPLATE RIGHT PIVOT	1	1	1
6	90868	FLAT HEAD CAP SCREW M6X1 X 20mm LONG, FULLY THREADED + BLUE THREADLOCKER - BLACK ZINC	2	2	2
7*	31237	PLASTIC ANGLE ADJUSTABLE FOOTPLATE FRICTION RUBBER BUMP - BLACK	21	21	28

**9002859**

Footplate - Composite, Newton Angle Adjustable, Front Mount, Right, 5½ x 8 in [Wheelchair Width: 14 to 16 in]



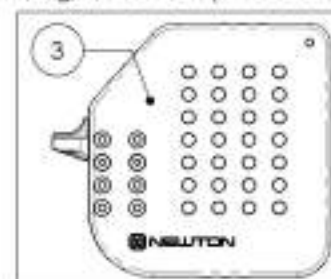
**9002860**

Footplate - Composite, Newton Angle Adjustable, Front Mount, Right, 6½ x 8 in [Wheelchair Width: 17 to 18 in]



**9002861**

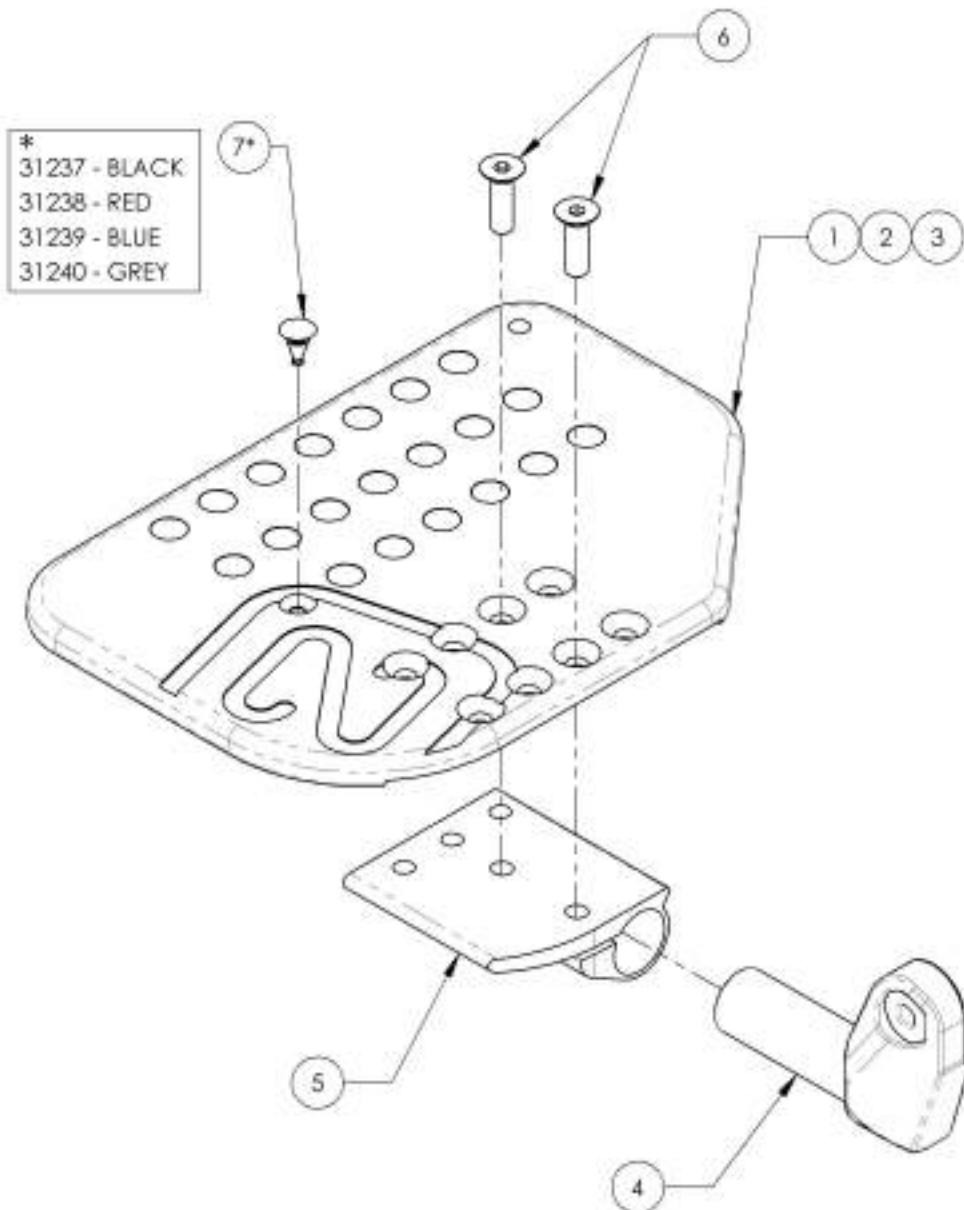
Footplate - Composite, Newton Angle Adjustable, Front Mount, Right, 7½ x 8 in [Wheelchair Width: 19 in +]



MAKE SURE TO HAVE YOUR SERIAL NUMBER NEARBY WHEN ORDERING PARTS FOR YOUR MOTION COMPOSITES WHEELCHAIR

**9002862\_9002864**

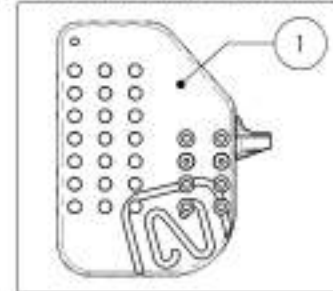
**Footplate - Composite, Newton Angle Adjustable, Front Mount, Left**



ITEM NO.	PART NO.	DESCRIPTION	9002862 /QTY.	9002863 /QTY.	9002864 /QTY.
1	31230	14-16" LEFT PLASTIC ANGLE ADJUSTABLE FOOTPLATE	1	-	-
2	31232	17-18" LEFT PLASTIC ANGLE ADJUSTABLE FOOTPLATE	-	1	-
3	31234	19-20" LEFT PLASTIC ANGLE ADJUSTABLE FOOTPLATE	-	-	1
4	31113	DIRECT MOUNT ANGLE ADJUSTABLE FOOTPLATE LEFT PIVOT	1	1	1
5	31236	LEFT PLASTIC ANGLE ADJUSTABLE FOOTPLATE EXTRUSION	1	1	1
6	90868	FLAT HEAD CAP SCREW M6X1 X 20mm LONG, FULLY THREADED + BLUE THREADLOCKER - BLACK ZINC	2	2	2
7*	31237	PLASTIC ANGLE ADJUSTABLE FOOTPLATE FRICTION RUBBER BUMP - BLACK	21	21	28

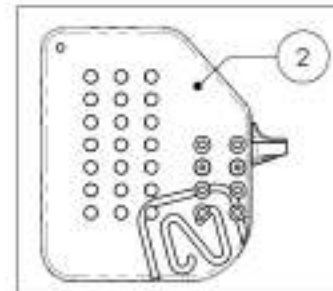
**9002862**

Footplate - Composite, Newton Angle Adjustable, Front Mount, Left, 5 1/2 x 8 in (Wheelchair Width: 14 to 16 in)



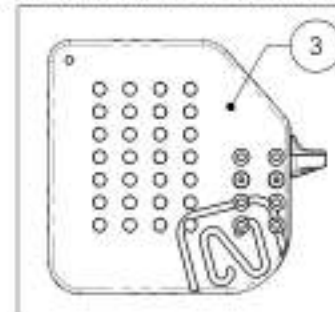
**9002863**

Footplate - Composite, Newton Angle Adjustable, Front Mount, Left, 6 1/2 x 8 in (Wheelchair Width: 17 to 18 in)



**9002864**

Footplate - Composite, Newton Angle Adjustable, Front Mount, Left, 7 1/2 x 8 in (Wheelchair Width: 19 in +)



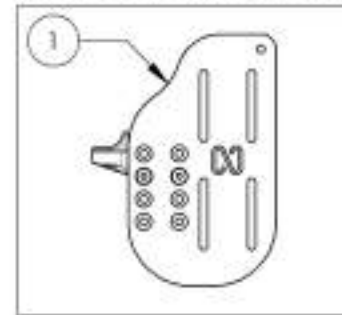
MAKE SURE TO HAVE YOUR SERIAL NUMBER NEARBY WHEN ORDERING PARTS FOR YOUR MOTION COMPOSITES WHEELCHAIR

**9001402\_9001405**

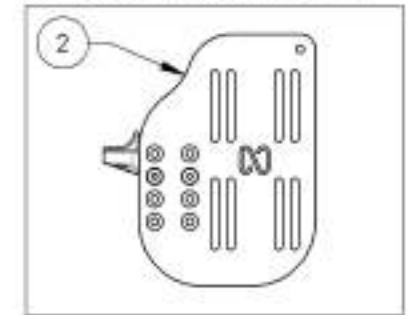
**Footplate - Aluminum, Newton, Angle adjustable, For Front Mount, Right, 8 in Depth**

ITEM NO.	PARTNO	DESCRIPTION	9001402 /QTY.	9001403 /QTY.	9001404 /QTY.	9001405 /QTY.
1	31124	ADJUSTABLE NEWTON ALU FOOTPLATE 4.5 x 8 in, RIGHT (WHEELCHAIR WIDTH 12-13 in)	1	-	-	-
2	31118	ADJUSTABLE NEWTON ALU FOOTPLATE 5.5 x 8 in, RIGHT (WHEELCHAIR WIDTH 14-16 in)	-	1	-	-
3	31120	ADJUSTABLE NEWTON ALU FOOTPLATE 6.5 x 8 in, RIGHT (WHEELCHAIR WIDTH 17-18 in)	-	-	1	-
4	31122	ADJUSTABLE NEWTON ALU FOOTPLATE 7.5 x 8 in, RIGHT (WHEELCHAIR WIDTH 19 in +)	-	-	-	1
5	31116	ANGLE ADJUSTABLE FOOTPLATE CLAMP	2	2	2	2
6	31112	DIRECT MOUNT ANGLE ADJUSTABLE FOOTPLATE RIGHT PIVOT	1	1	1	1
7	90848	FLAT HEAD CAP SCREW 1/4X1 X 20mm LONG, FULLY THREADED + BLUE THREADLOCKER - BLACK ZINC	2	2	2	2

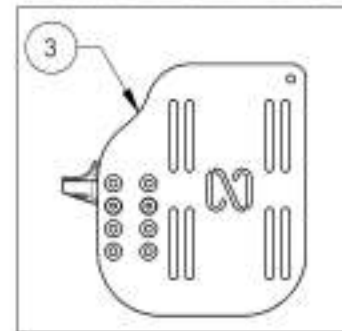
**9001402**  
Footplate - Aluminium, Newton Angle Adjustable, Front Mount, Right, 4½ x 8 in (Wheelchair Width: 12 to 13 in)



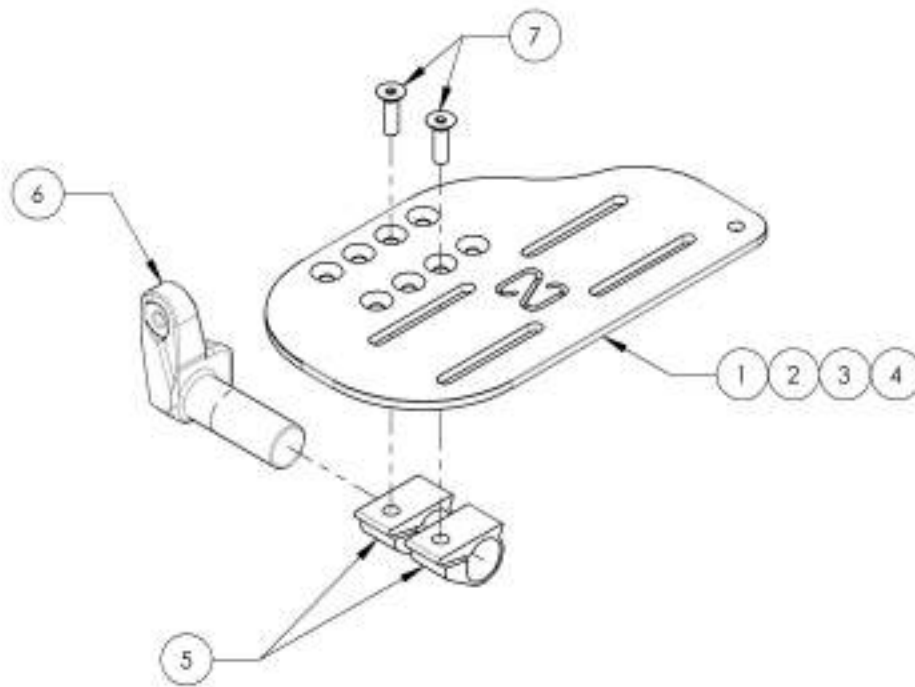
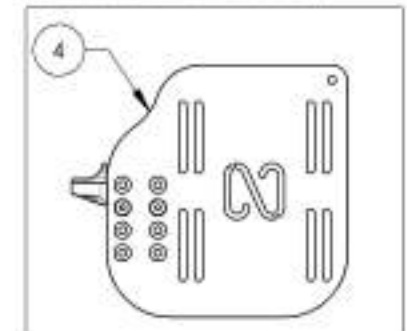
**9001403**  
Footplate - Aluminium, Newton Angle Adjustable, Front Mount, Right, 5½ x 8 in (Wheelchair Width: 14 to 16 in)



**9001404**  
Footplate - Aluminium, Newton Angle Adjustable, Front Mount, Right, 6½ x 8 in (Wheelchair Width: 17 to 18 in)



**9001405**  
Footplate - Aluminium, Newton Angle Adjustable, Front Mount, Right, 7½ x 8 in (Wheelchair Width: 19 in +)

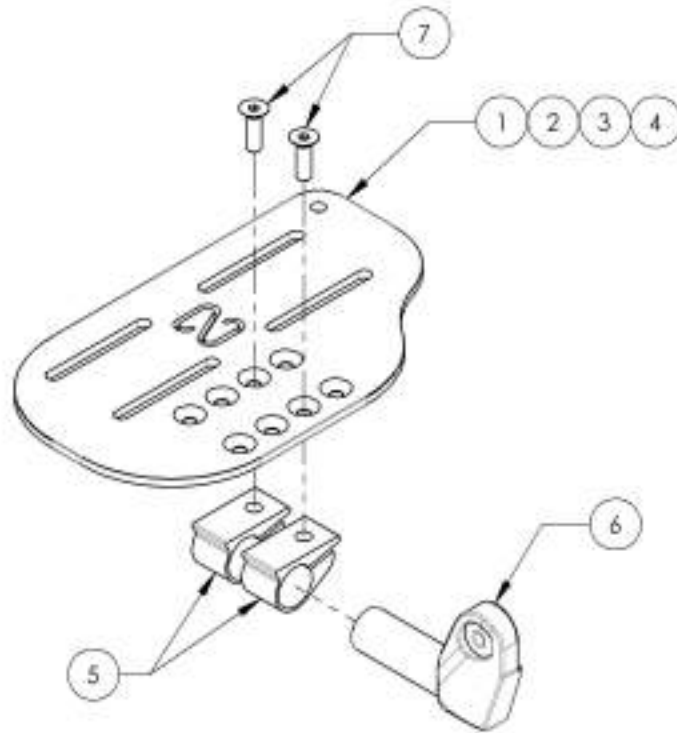


MAKE SURE TO HAVE YOUR SERIAL NUMBER NEARBY WHEN ORDERING PARTS FOR YOUR MOTION COMPOSITES WHEELCHAIR

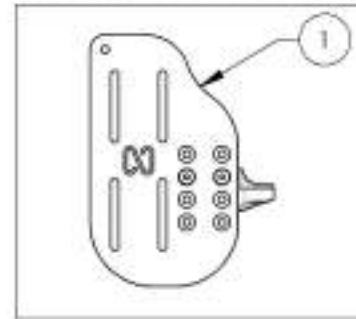
**9001406\_9001409**

**Footplate - Aluminum, Newton, Angle Adjustable, For Front Mount, Left, 8 in Depth**

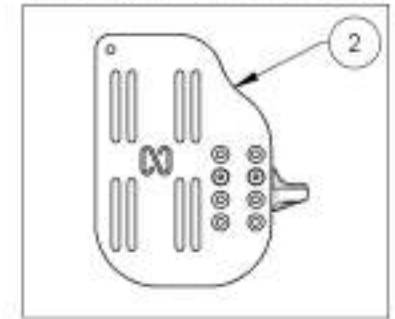
ITEM NO.	PART NO	DESCRIPTION	9001406 /QTY.	9001407 /QTY.	9001408 /QTY.	9001409 /QTY.
1	31123	ADJUSTABLE NEWTON ALU FOOTPLATE 4.5 x 8 in, LEFT (WHEELCHAIR WIDTH 12-13 in)	1	-	-	-
2	31117	ADJUSTABLE NEWTON ALU FOOTPLATE 5.5 x 8 in, LEFT (WHEELCHAIR WIDTH 14-16 in)	-	1	-	-
3	31119	ADJUSTABLE NEWTON ALU FOOTPLATE 6.5 x 8 in, LEFT (WHEELCHAIR WIDTH 17-18 in)	-	-	1	-
4	31121	ADJUSTABLE NEWTON ALU FOOTPLATE 7.5 x 8 in, LEFT (WHEELCHAIR WIDTH 19 in +)	-	-	-	1
5	31116	ANGLE ADJUSTABLE FOOTPLATE CLAMP	2	2	2	2
6	31113	DIRECT MOUNT ANGLE ADJUSTABLE FOOTPLATE LEFT PIVOT	1	1	1	1
7	90668	FLAT HEAD CAP SCREW MAX1 X 20mm LONG, FULLY THREADED + BLUE THREADLOCKER - BLACK ZINC	2	2	2	2



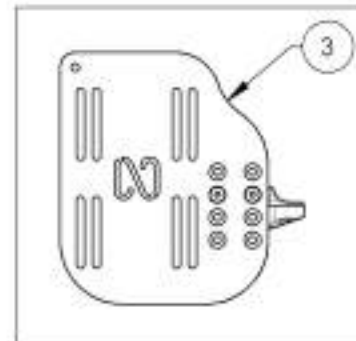
9001406  
Footplate - Aluminium, Newton Angle Adjustable, Front Mount, Left, 4½ x 8 in (Wheelchair Width: 12 to 13 in)



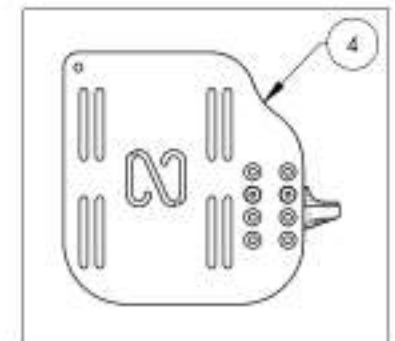
9001407  
Footplate - Aluminium, Newton Angle Adjustable, Front Mount, Left, 5½ x 8 in (Wheelchair Width: 14 to 16 in)



9001408  
Footplate - Aluminium, Newton Angle Adjustable, Front Mount, Left, 6½ x 8 in (Wheelchair Width: 17 to 18 in)



9001409  
Footplate - Aluminium, Newton Angle Adjustable, Front Mount, Left, 7½ x 8 in (Wheelchair Width: 19 in +)



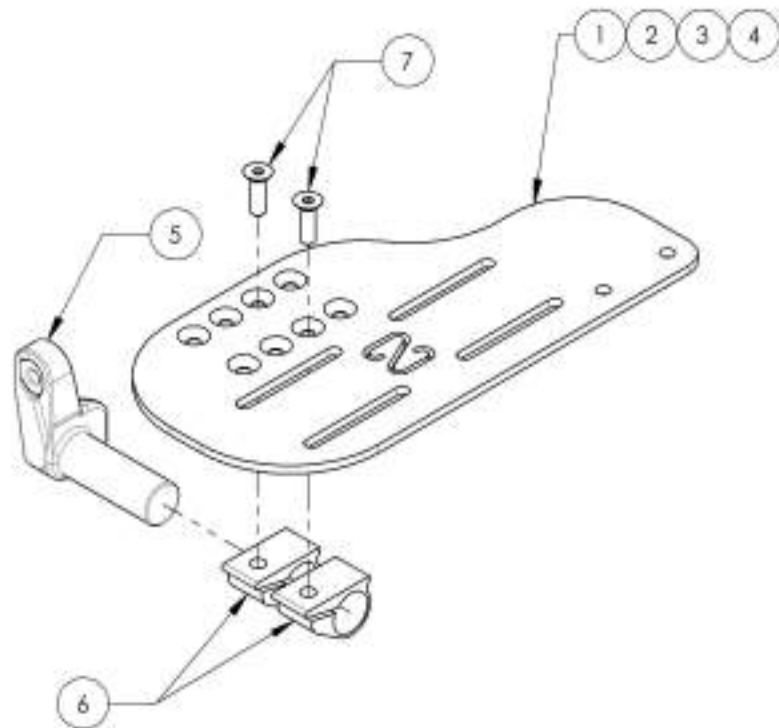
MAKE SURE TO HAVE YOUR SERIAL NUMBER NEARBY WHEN ORDERING PARTS FOR YOUR MOTION COMPOSITES WHEELCHAIR



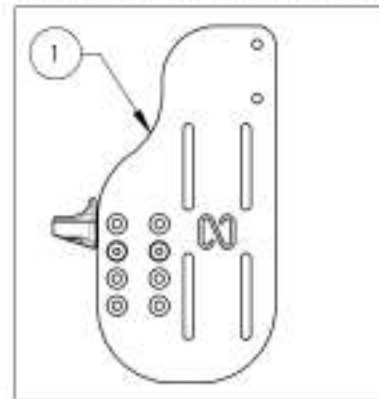
**9001394\_9001395 & 9002865\_9002866**

**Footplate - Aluminium, Newton Angle Adjustable, Front Mount, Right, 9½ in Depth**

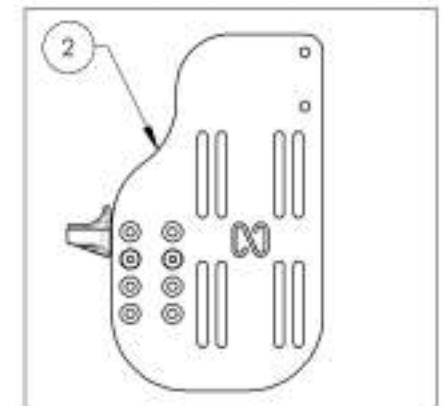
ITEM NO.	PART NO.	DESCRIPTION	9001394 /QTY.	9001395 /QTY.	9002865 /QTY.	9002866 /QTY.
1	31126	ADJUSTABLE NEWTON ALU FOOTPLATE 4.5 x 9.5 in. RIGHT (WHEELCHAIR WIDTH 12-13 in)	1	-	-	-
2	31137	ADJUSTABLE NEWTON ALU FOOTPLATE 5.5 x 9.5 in. RIGHT (WHEELCHAIR WIDTH 14-16 in)	-	1	-	-
3	31190	ADJUSTABLE NEWTON ALU FOOTPLATE 6.5 x 9.5 in. RIGHT (WHEELCHAIR WIDTH 17-18 in)	-	-	1	-
4	31192	ADJUSTABLE NEWTON ALU FOOTPLATE 7.5 x 9.5 in. RIGHT (WHEELCHAIR WIDTH 19 in +)	-	-	-	1
5	31112	DIRECT MOUNT ANGLE ADJUSTABLE FOOTPLATE RIGHT PIVOT	1	1	1	1
6	31116	ANGLE ADJUSTABLE FOOTPLATE CLAMP	2	2	2	2
7	90868	FLAT HEAD CAP SCREW M6x1 X 20mm LONG, FULLY THREADED + BLUE THREADLOCKER - BLACK DMC	2	2	2	2



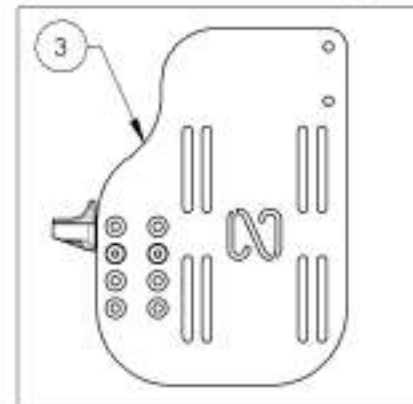
**9001394**  
Footplate - Aluminium, Newton Angle Adjustable, Front Mount, Right, 4½ x 9½ in (Wheelchair Width: 12 to 13 in)



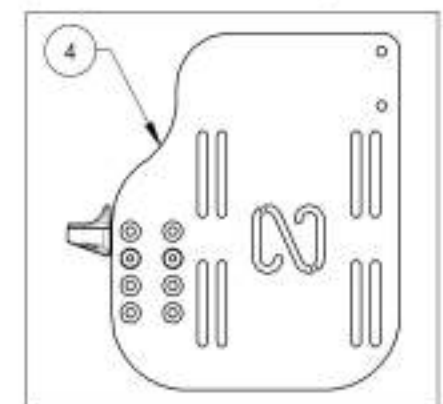
**9001395**  
Footplate - Aluminium, Newton Angle Adjustable, Front Mount, Right, 5½ x 9½ in (Wheelchair Width: 14 to 16 in)



**9002865**  
Footplate - Aluminium, Newton Angle Adjustable, Front Mount, Right 6½ x 9½ in (Wheelchair Width: 17 to 18 in)



**9002866**  
Footplate - Aluminium, Newton Angle Adjustable, Front Mount, Right 7½ x 9½ in (Wheelchair Width: 19 in +)



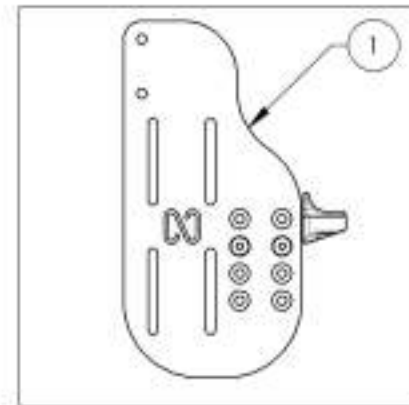
MAKE SURE TO HAVE YOUR SERIAL NUMBER NEARBY WHEN ORDERING PARTS FOR YOUR MOTION COMPOSITES WHEELCHAIR

**9001396\_9001397 & 9002867\_9002868**

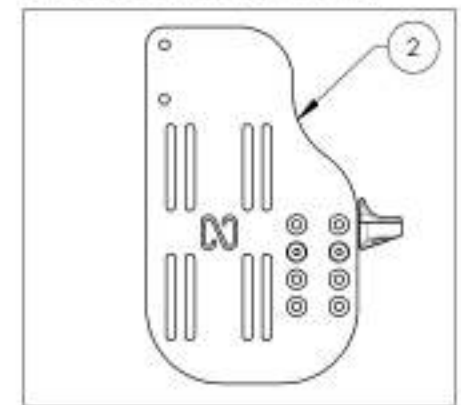
**Footplate - Aluminium, Newton Angle Adjustable, Front Mount, Left, 9½ in Depth**

ITEM NO.	PARTNO	DESCRIPTION	9001396 /QTY.	9001397 /QTY.	9002867 /QTY.	9002868 /QTY.
1	31125	ADJUSTABLE NEWTON ALU FOOTPLATE 4.5 x 9.5 in. LEFT (WHEELCHAIR WIDTH 12-13 in)	1	-	-	-
2	31136	ADJUSTABLE NEWTON ALU FOOTPLATE 5.5 x 9.5 in. LEFT (WHEELCHAIR WIDTH 14-16 in)	-	1	-	-
3	31191	ADJUSTABLE NEWTON ALU FOOTPLATE 6.5 x 9.5 in. LEFT (WHEELCHAIR WIDTH 17-18 in)	-	-	1	-
4	31193	ADJUSTABLE NEWTON ALU FOOTPLATE 7.5 x 9.5 in. LEFT (WHEELCHAIR WIDTH 19 in +)	-	-	-	1
5	31113	DIRECT MOUNT ANGLE ADJUSTABLE FOOTPLATE LEFT PMOT	1	1	1	1
6	31116	ANGLE ADJUSTABLE FOOTPLATE CLAMP	2	2	2	2
7	90868	FLAT HEAD CAP SCREW MAX 1 X 20mm LONG, FULLY THREADED + BLUE THREADLOCKER - BLACK ZINC	2	2	2	2

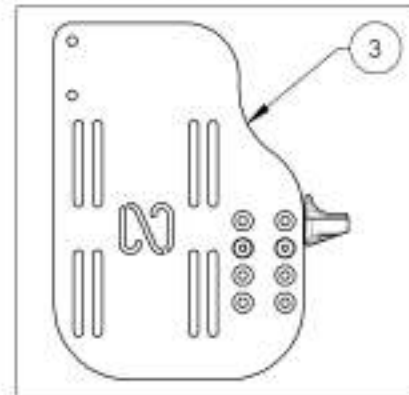
9001396  
Footplate - Aluminium, Newton Angle Adjustable, Front Mount, Left, 4½ x 9½ in (Wheelchair Width: 12 to 13 in)



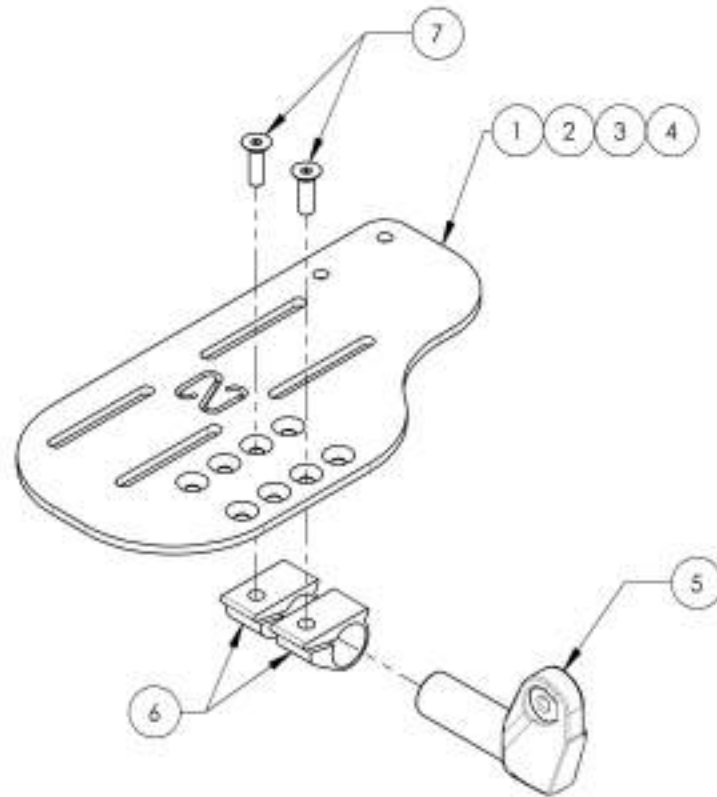
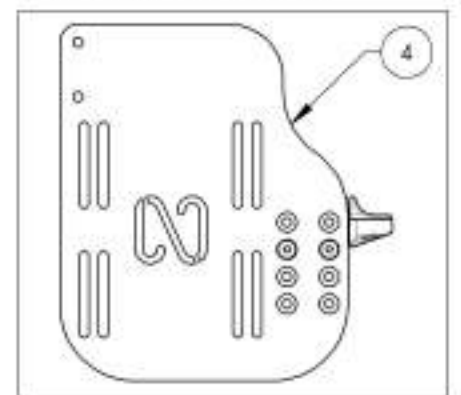
9001397  
Footplate - Aluminium, Newton Angle Adjustable, Front Mount, Left, 5½ x 9½ in (Wheelchair Width: 14 to 16 in)



9002867  
Footplate - Aluminium, Newton Angle Adjustable, Front Mount, Left 6½ x 9½ in (Wheelchair Width: 17 to 18 in)



9002868  
Footplate - Aluminium, Newton Angle Adjustable, Front Mount, Left 7½ x 9½ in (Wheelchair Width: 19 in +)

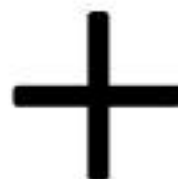
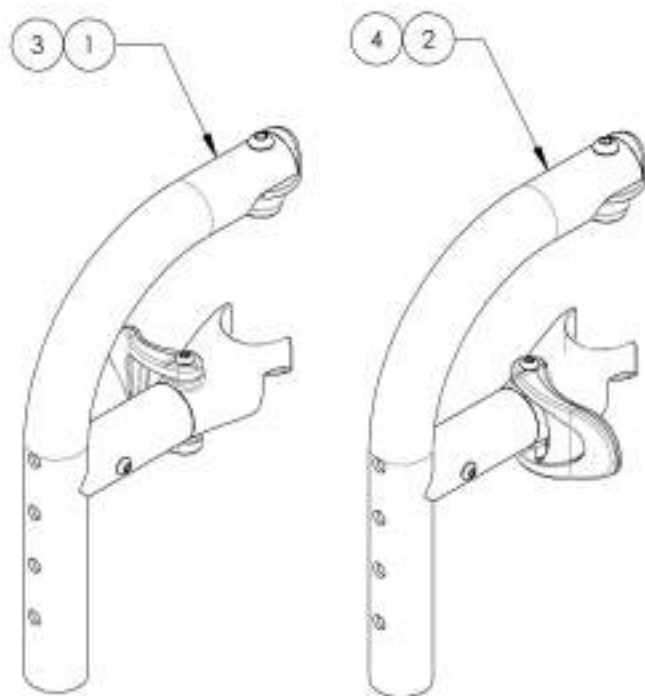


MAKE SURE TO HAVE YOUR SERIAL NUMBER NEARBY WHEN ORDERING PARTS FOR YOUR MOTION COMPOSITES WHEELCHAIR

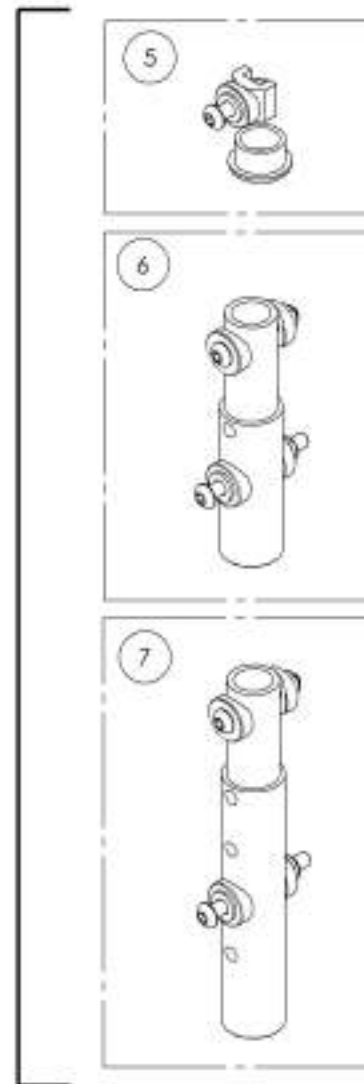
**Footrests Catalogue**  
**Front Mount Footrests**

ITEM NO.	PARTNO	DESCRIPTION	QTY.
1	9001343	Footrest - Swing-In/Swing-Out, Front Mount, Right, 90° - Black	1
2	9001344	Footrest - Swing-In/Swing-Out, Front Mount, Left, 90° - Black	1
3	9001345	Footrest - Swing-In/Swing-Out, Front Mount, Right, 90° (Specify Color)	1
4	9001346	Footrest - Swing-In/Swing-Out, Front Mount, Left, 90° (Specify Color)	1
5	9001347	Footrest - No Extension, Front Mount, 90° (7% - 11 in) (19 - 28 cm)	1
6	9001348	Footrest - Extension, Front Mount, 90° (9% - 13 in) (24 - 33 cm)	1
7	9001349	Footrest - Extension, Front Mount, 90° (9% - 14 1/2 in) (24 - 36.8 cm)	1

**FRONT MOUNT STRUCTURES**



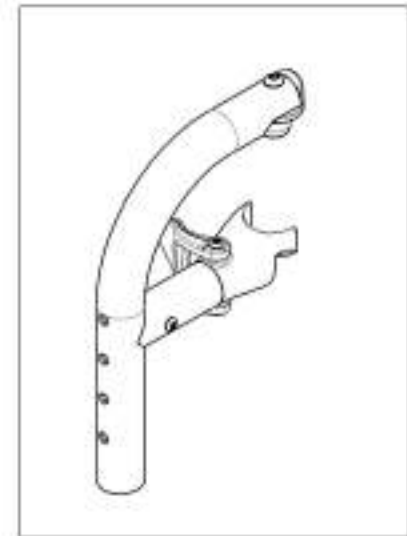
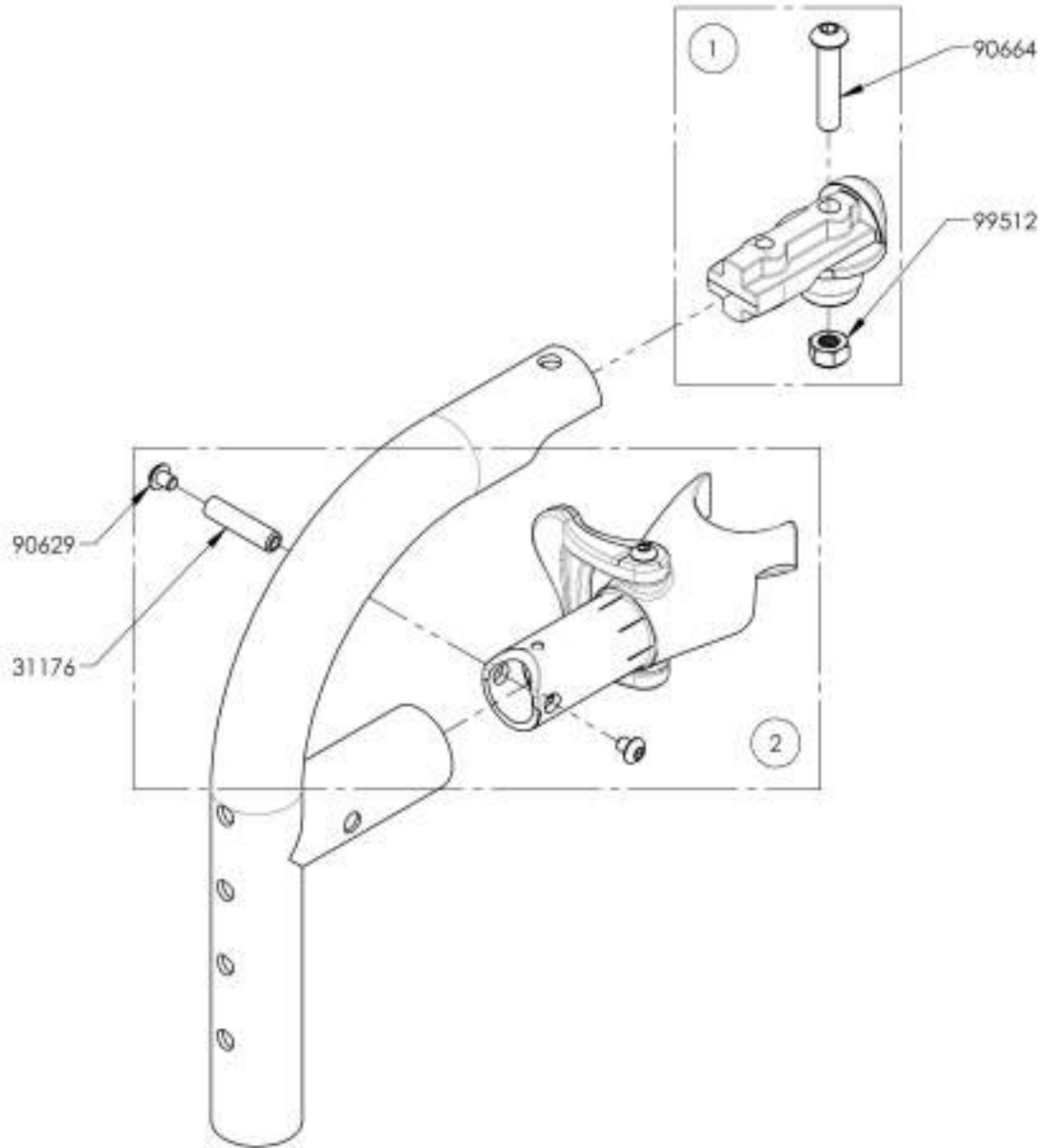
**FRONT MOUNT EXTENSION OPTIONS**



MAKE SURE TO HAVE YOUR SERIAL NUMBER NEARBY WHEN ORDERING PARTS FOR YOUR MOTION COMPOSITES WHEELCHAIR

**9001343**  
**Footrest - Swing-In/Swing-Out, Front Mount, Right, 90° - Black**

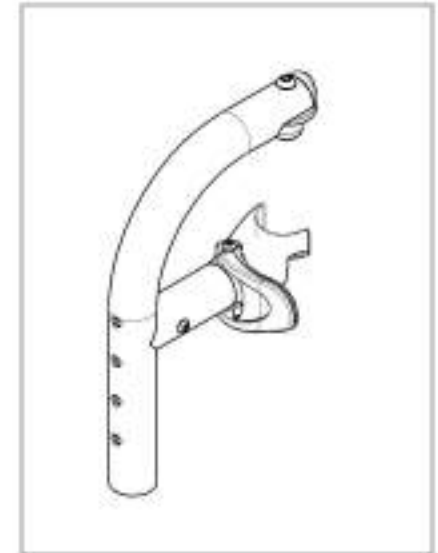
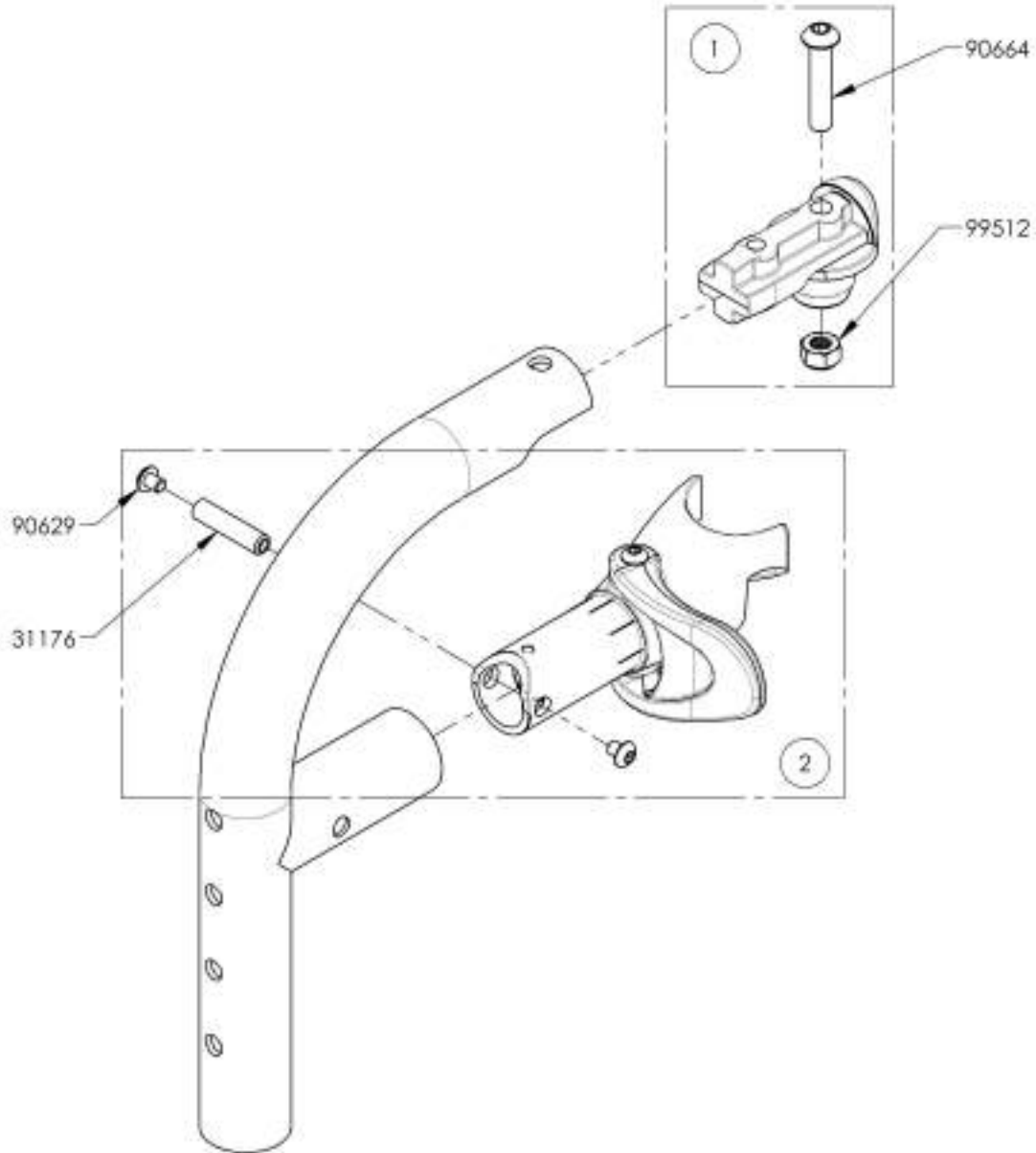
ITEM NO.	PARTNO	DESCRIPTION	9001343 /QTY.
1	31551	V2 FOOTREST PIVOT - ASSEMBLY	1
2	31550	V2 FOOTREST HOUSING RIGHT - ASSEMBLY	1



MAKE SURE TO HAVE YOUR SERIAL NUMBER  
NEARBY WHEN ORDERING PARTS FOR YOUR  
MOTION COMPOSITES WHEELCHAIR

**9001344**  
**Footrest - Swing-In/Swing-Out, Front Mount, Left, 90° - Black**

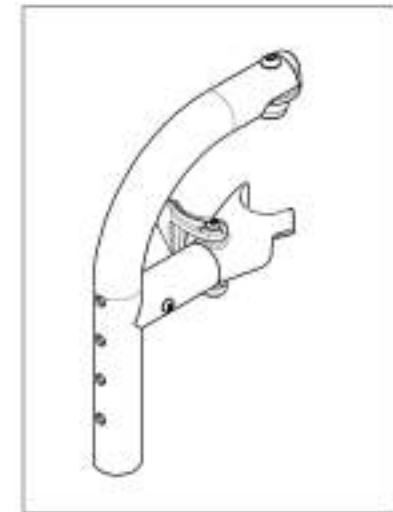
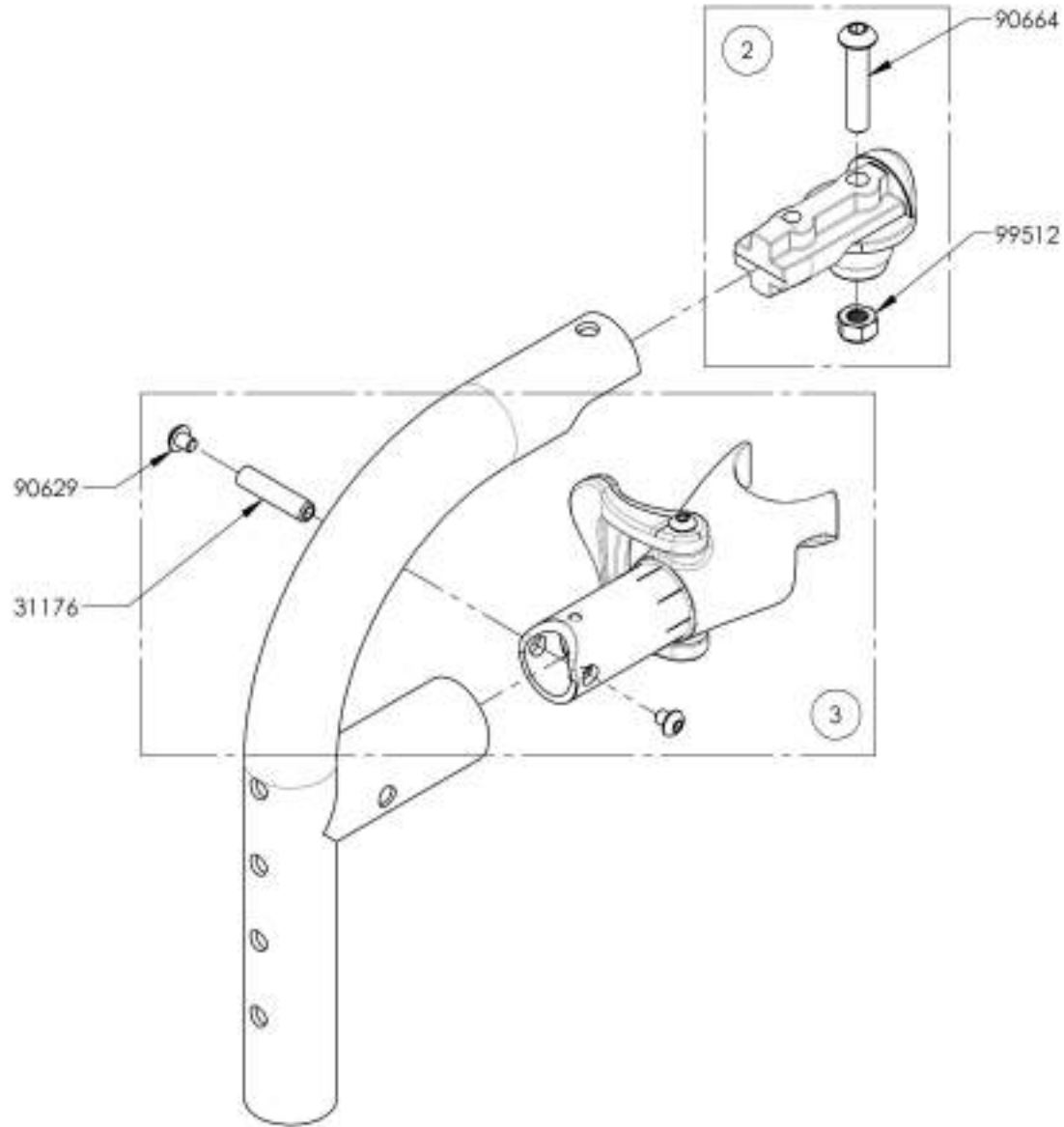
ITEM NO.	PARTNO	DESCRIPTION	9001344 /QTY.
1	31551	V2 FOOTREST PIVOT - ASSEMBLY	1
2	31549	V2 FOOTREST HOUSING LEFT - ASSEMBLY	1



MAKE SURE TO HAVE YOUR SERIAL NUMBER  
 NEARBY WHEN ORDERING PARTS FOR YOUR  
 MOTION COMPOSITES WHEELCHAIR

**9001345**  
**Footrest - Swing-In/Swing-Out, Front Mount, Right, 90° (Specify Color)**

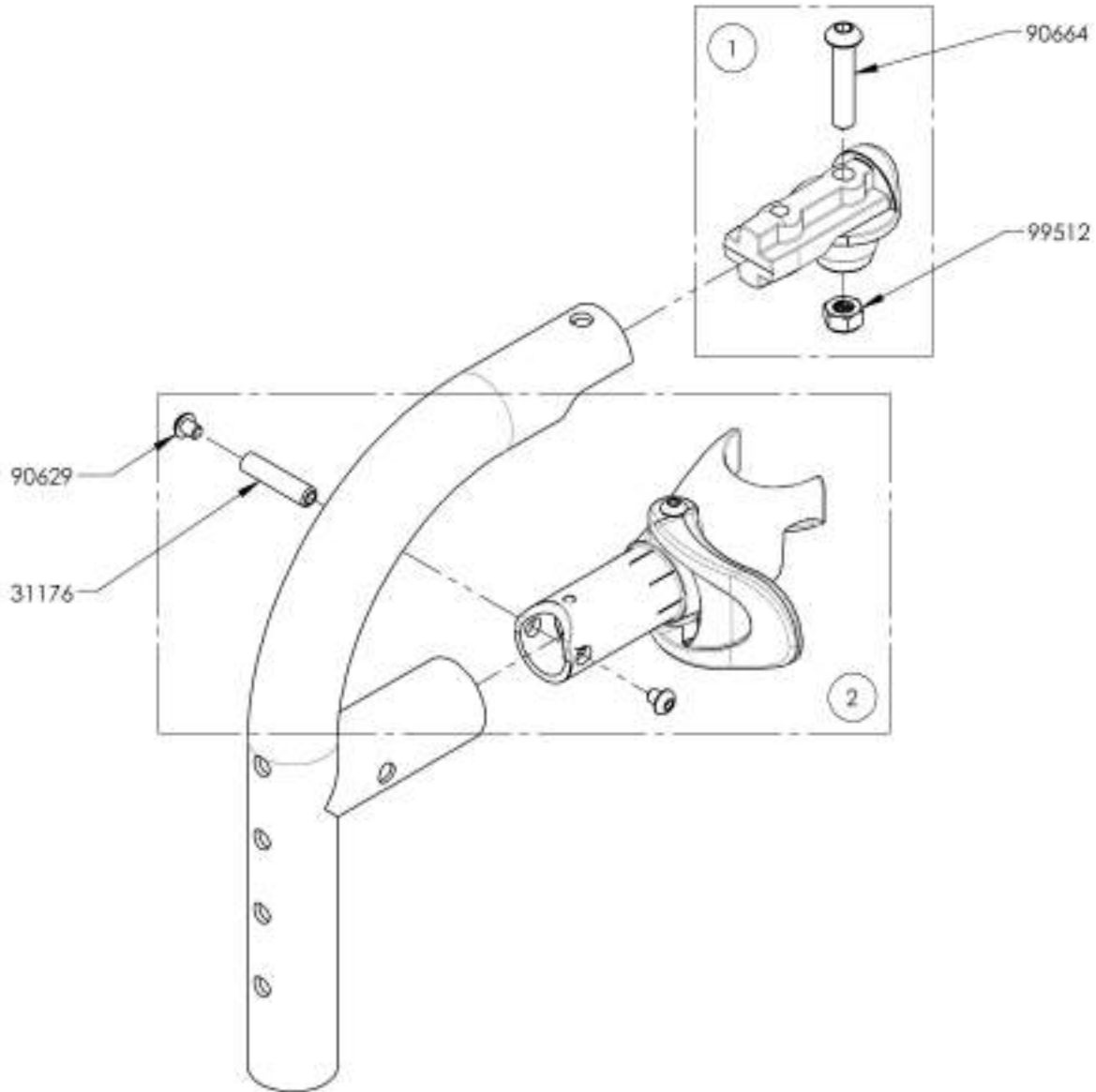
ITEM NO.	PARTNO	DESCRIPTION	9001345 /QTY.
1	31210	V2 FOOTREST 90° DIRECT MOUNT STRUCTURE	1
2	31551	V2 FOOTREST PIVOT - ASSEMBLY	1
3	31550	V2 FOOTREST HOUSING RIGHT - ASSEMBLY	1



MAKE SURE TO HAVE YOUR SERIAL NUMBER  
 NEARBY WHEN ORDERING PARTS FOR YOUR  
 MOTION COMPOSITES WHEELCHAIR

**9001346**  
**Footrest - Swing-In/Swing-Out, Front Mount, Left, 90° (Specify Color)**

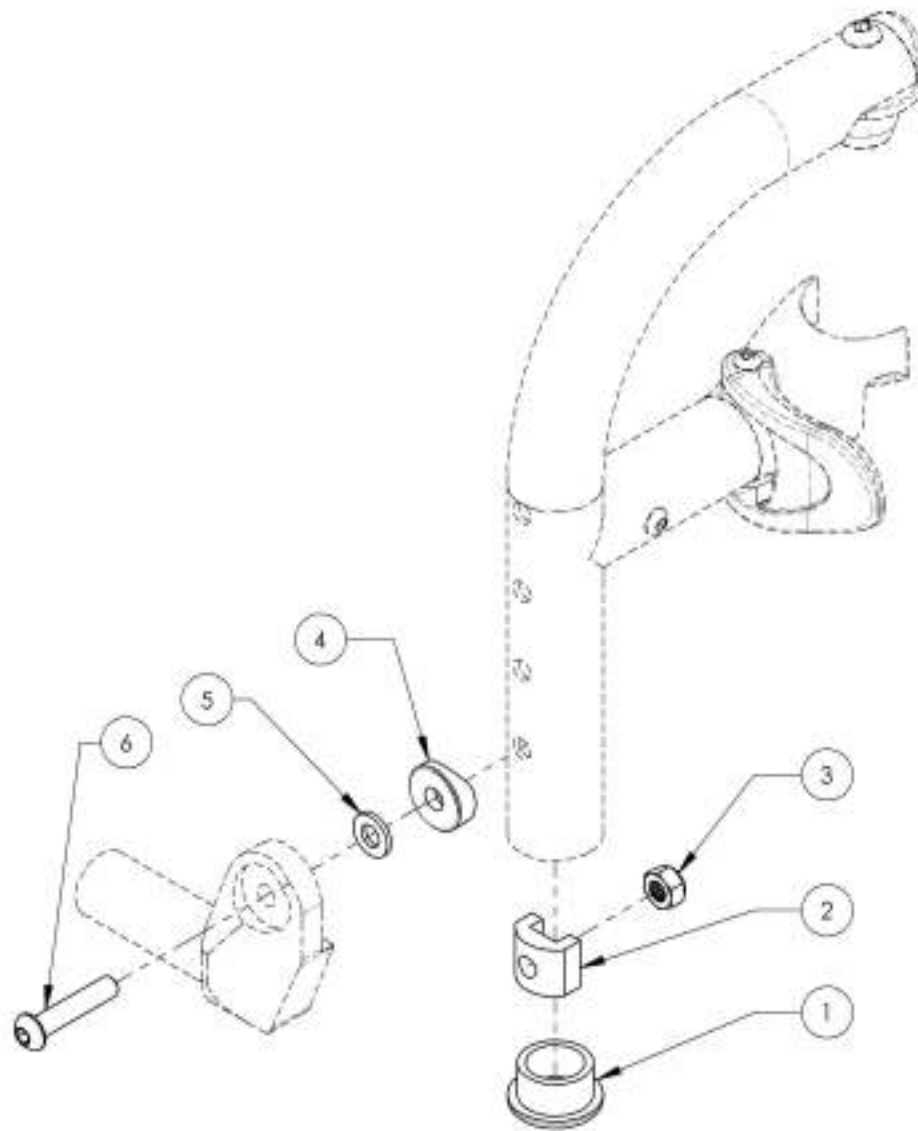
ITEM NO.	PART NO.	DESCRIPTION	9001346 /QTY.
1	31551	V2 FOOTREST PIVOT - ASSEMBLY	1
2	31549	V2 FOOTREST HOUSING LEFT - ASSEMBLY	1



MAKE SURE TO HAVE YOUR SERIAL NUMBER  
 NEARBY WHEN ORDERING PARTS FOR YOUR  
 MOTION COMPOSITES WHEELCHAIR

**9001347**  
**Footrest - No Extension, Front Mount, 90° (7½ - 11 in) (19 - 28 cm)**

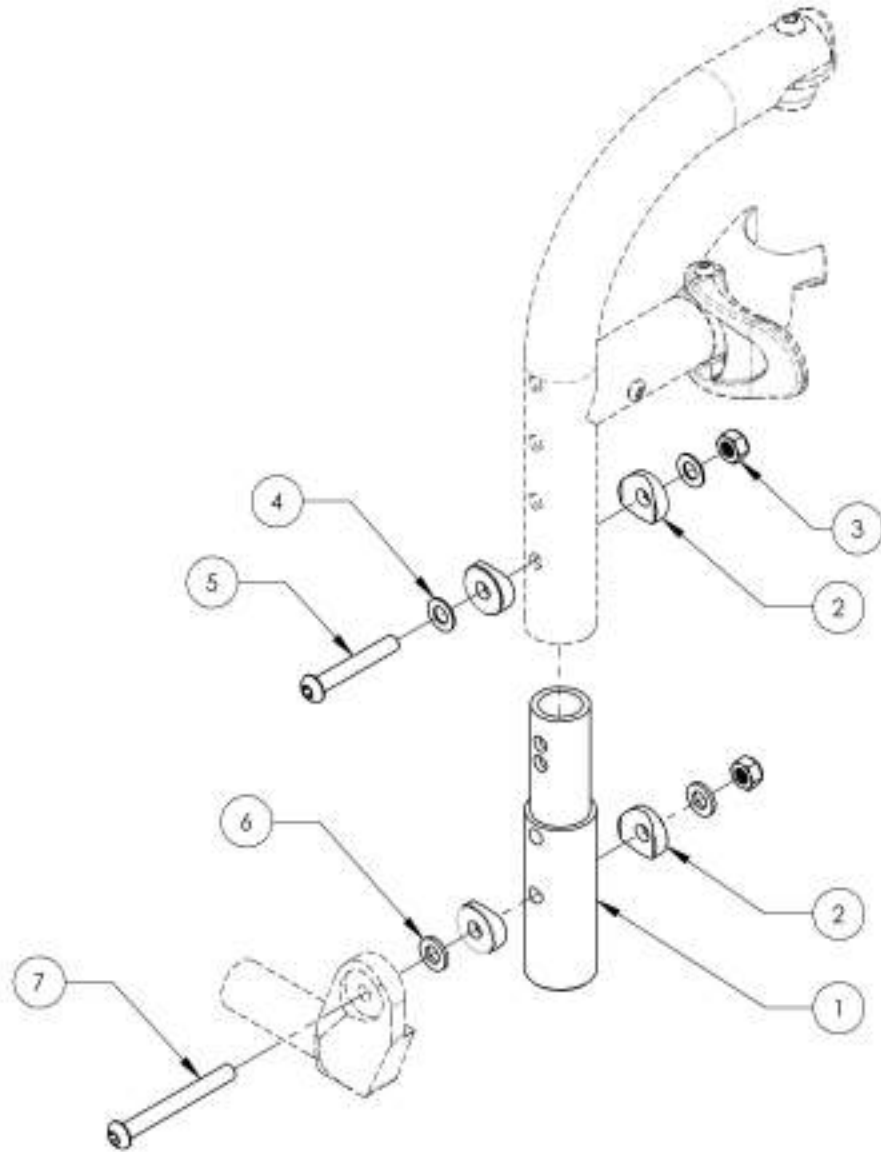
ITEM NO.	PARTNO	DESCRIPTION	9001347 /QTY.
1	99702	CAP 1 IN ALLU	1
2	31213	FOOTREST DIRECT MOUNT NUT HOLDER	1
3	99512	M6 LOW NYLON LOCK	1
4	33068	M6 COVED WASHER FOR 1" TUBE	1
5	99562	WASHER 1/4 17/64 ID X 5/8 OD X .062 THK	1
6	90664	BUTTON HEAD CAP SCREW M6X1 X 30mm LONG, FULLY THREADED + BLUE THREADLOCKER - BLACK DYC	1



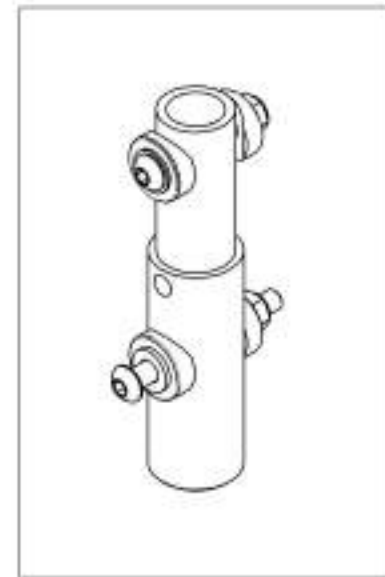
MAKE SURE TO HAVE YOUR SERIAL NUMBER  
 NEARBY WHEN ORDERING PARTS FOR YOUR  
 MOTION COMPOSITES WHEELCHAIR



**9001348**  
**Footrest - Extension, Front Mount, 90° (9½ - 13 in) (24 - 33 cm)**

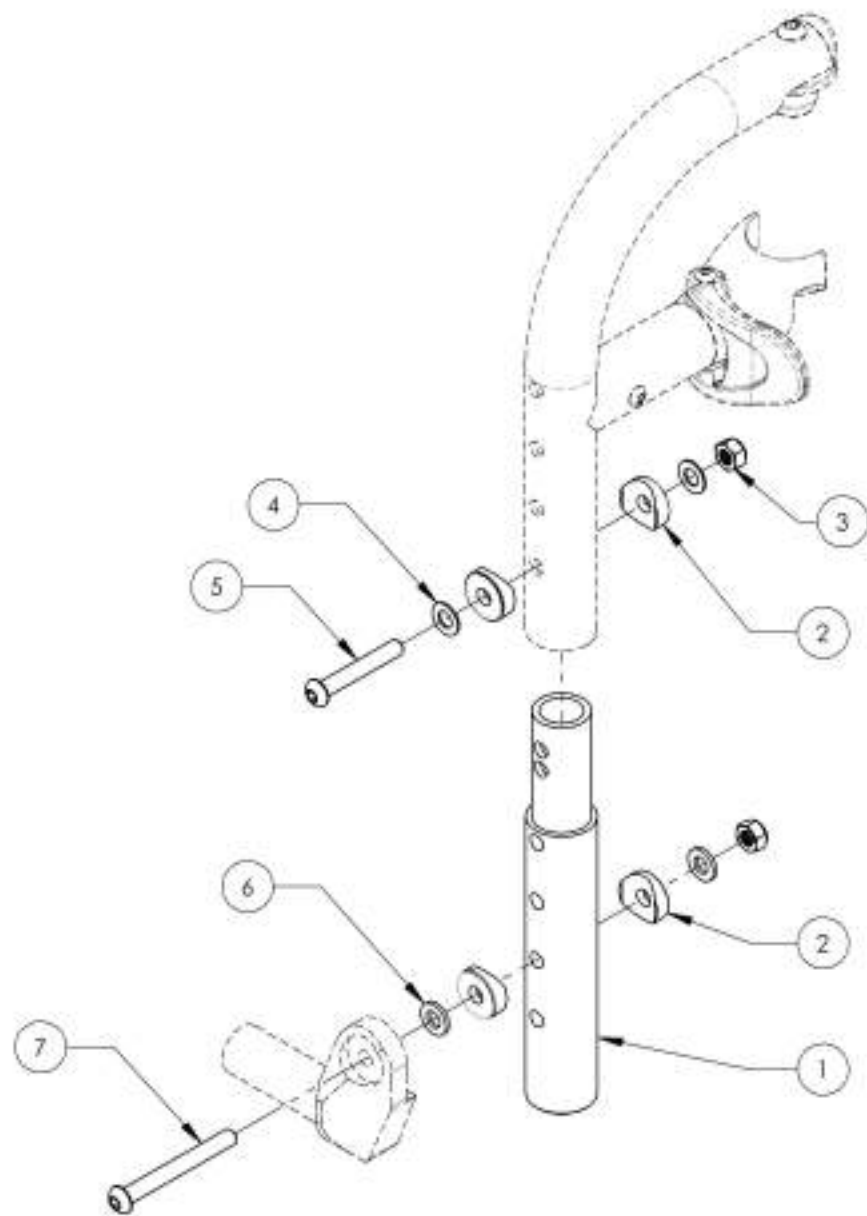


ITEM NO.	PART NO	DESCRIPTION	9001348 /QTY.
1	31211	V2 DIRECT MOUNT STRUCTURE SHORT EXTENSION	1
2	33068	M6 COVED WASHER FOR 1" TUBE	4
3	99512	M6 LOW NYLON LOCK	2
4	99560	WASHER 1/4 17/64 ID X 1/2 OD X .032 THK	2
5	90666	BUTTON HEAD CAP SCREW M6X1 X 40mm LONG, 24mm THREADED + BLUE THREADLOCKER - BLACK ZINC	1
6	99562	WASHER 1/4 17/64 ID X 5/8 OD X .062 THK	2
7	90669	BUTTON HEAD CAP SCREW M6X1 X 55mm LONG, 24mm THREADED + BLUE THREADLOCKER - BLACK ZINC	1

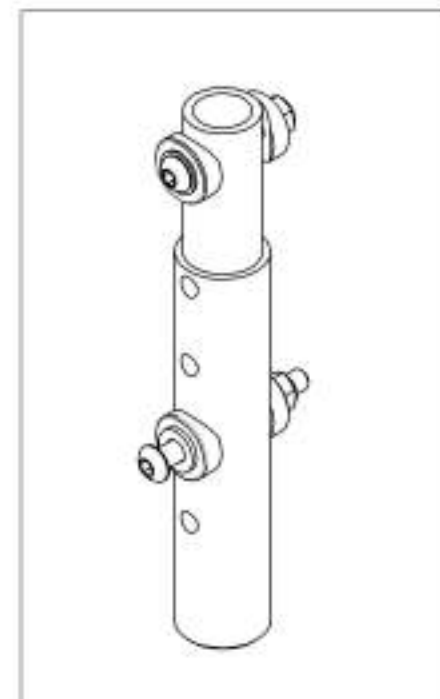


MAKE SURE TO HAVE YOUR SERIAL NUMBER  
 NEARBY WHEN ORDERING PARTS FOR YOUR  
 MOTION COMPOSITES WHEELCHAIR

**9001349**  
**Footrest - Extension, Front Mount, 90° (9½ - 14½ in) (24 - 36,8 cm)**



PEN NO.	PARTNO	DESCRIPTION	9001349 QTY.
1	31219	V2 DIRECT MOUNT STRUCTURE MEDIUM EXTENSION	1
2	33028	M6 COVED WASHER FOR 1" TUBE	4
3	99512	M6 LOW NYLON LOCK	2
4	99560	WASHER 1/4 17/64 ID X 1/2 OD X .032 THK	2
5	90666	BUTTON HEAD CAP SCREW M6X1 X 40mm LONG, 24mm THREADED + BLUE THREADLOCKER - BLACK ZINC	1
6	99562	WASHER 1/4 17/64 ID X 5/8 OD X .062 THK	2
7	90669	BUTTON HEAD CAP SCREW M6X1 X 55mm LONG, 24mm THREADED + BLUE THREADLOCKER - BLACK ZINC	1

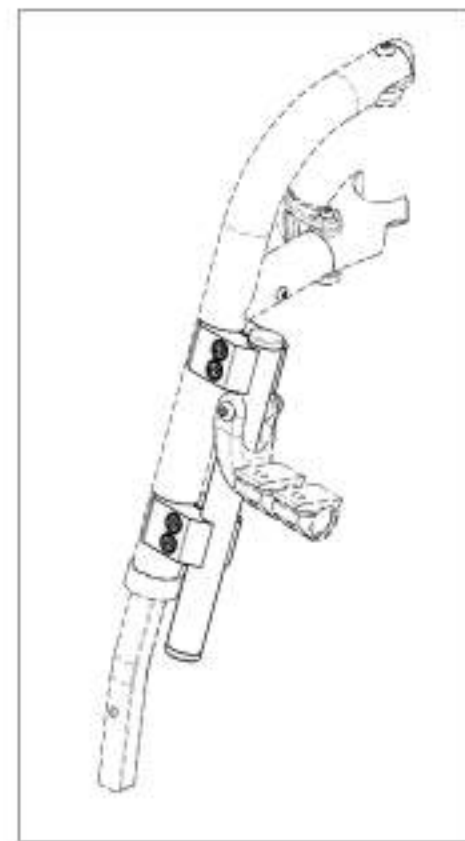
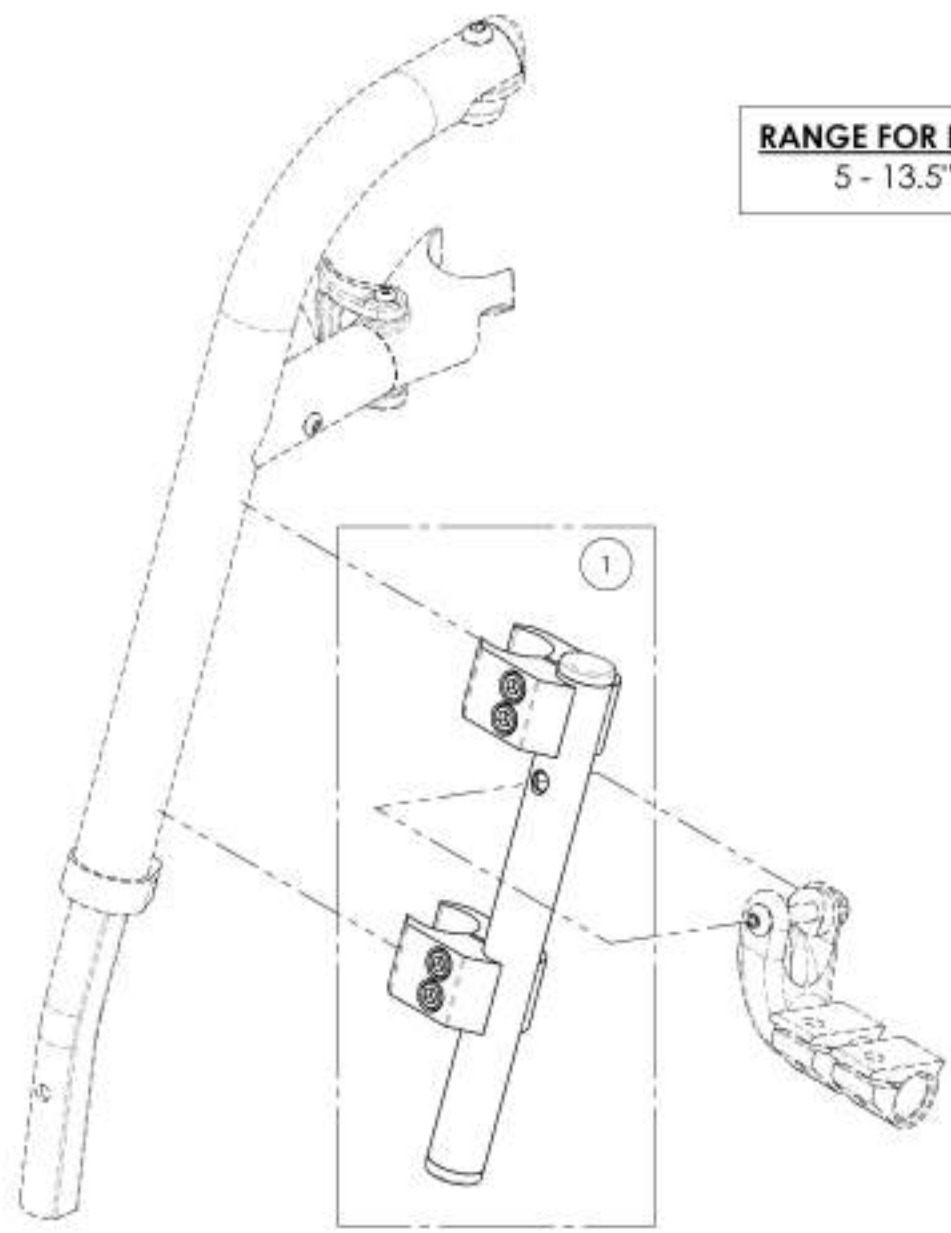


MAKE SURE TO HAVE YOUR SERIAL NUMBER NEARBY WHEN ORDERING PARTS FOR YOUR MOTION COMPOSITES WHEELCHAIR

**Footrests Catalogue**  
**High Mount Extension With Clamps**

ITEM NO.	PARTNO	DESCRIPTION	QTY.
1	9001318	Footrest - High Mount, Extension with Clamps	1

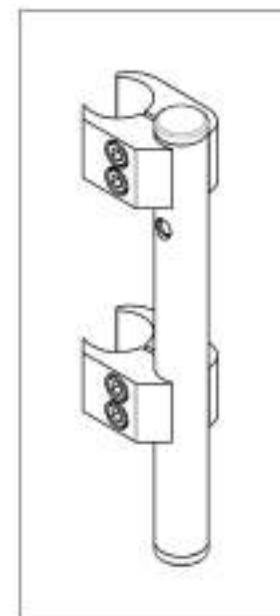
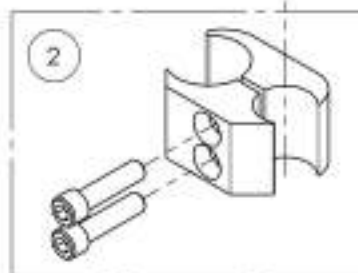
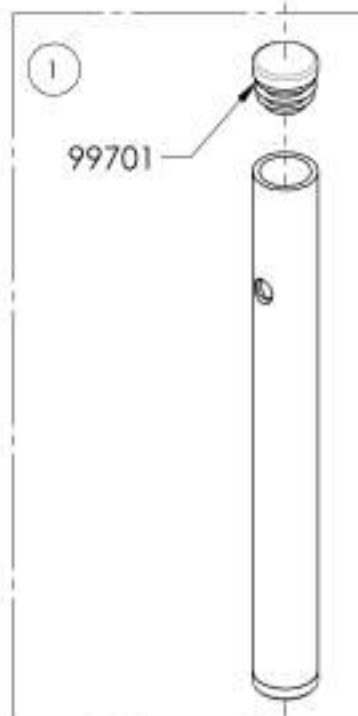
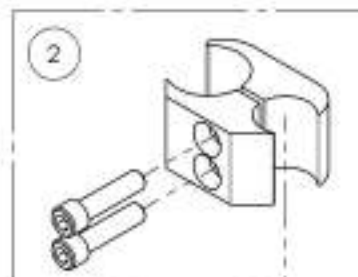
**RANGE FOR HIGH MOUNT**  
5 - 13.5" (127 - 343mm)



MAKE SURE TO HAVE YOUR SERIAL NUMBER  
NEARBY WHEN ORDERING PARTS FOR YOUR  
MOTION COMPOSITES WHEELCHAIR

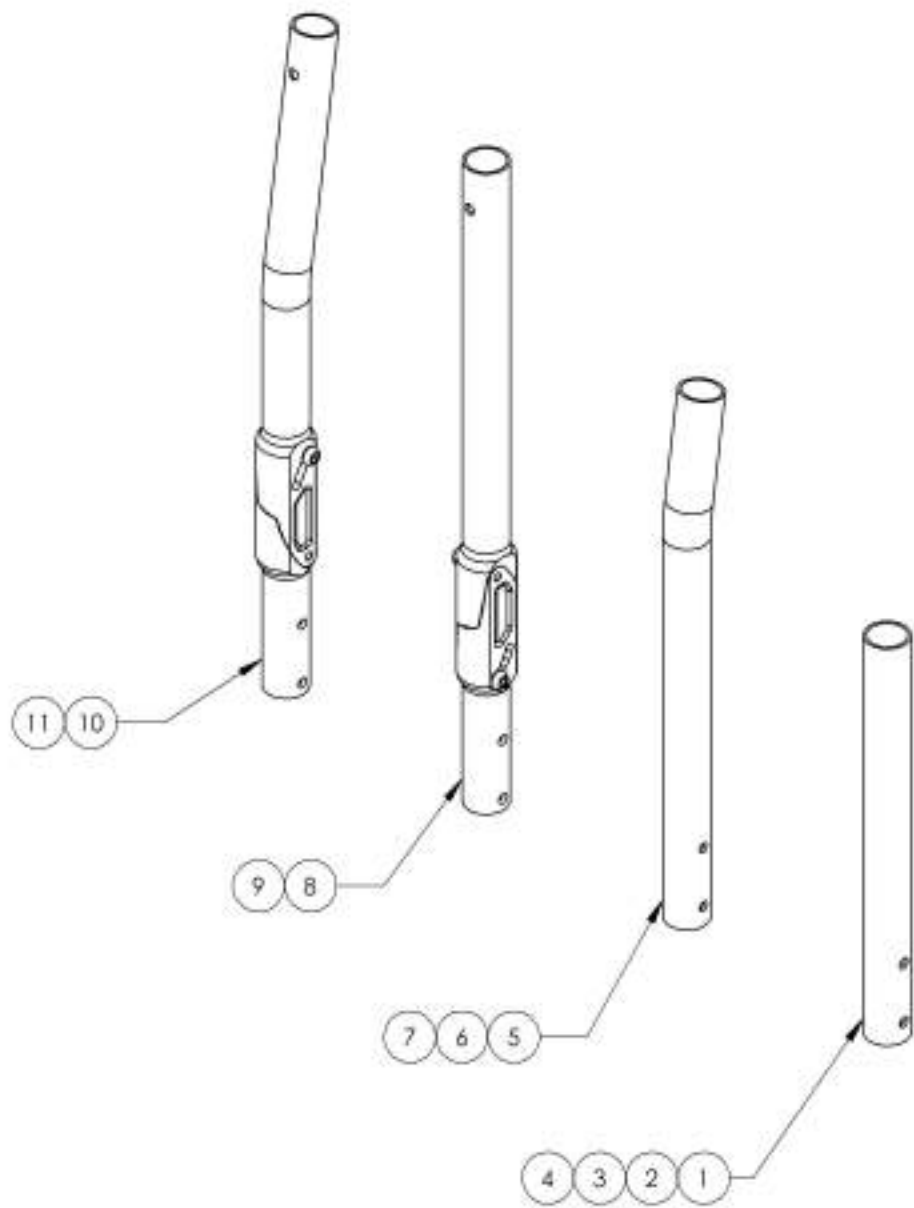
**9001318**  
**Footrest - High Mount, Extension with Clamps**

ITEM NO.	PARTNO	DESCRIPTION	QTY.
1	31638	HIGH MOUNT STRAIGHT EXTENSION - ASSY	1
2	41703	1/2" CLAMP - ASSEMBLY	2



MAKE SURE TO HAVE YOUR SERIAL NUMBER  
NEARBY WHEN ORDERING PARTS FOR YOUR  
MOTION COMPOSITES WHEELCHAIR

**Backrests Catalogue  
Aluminum Back Canes**



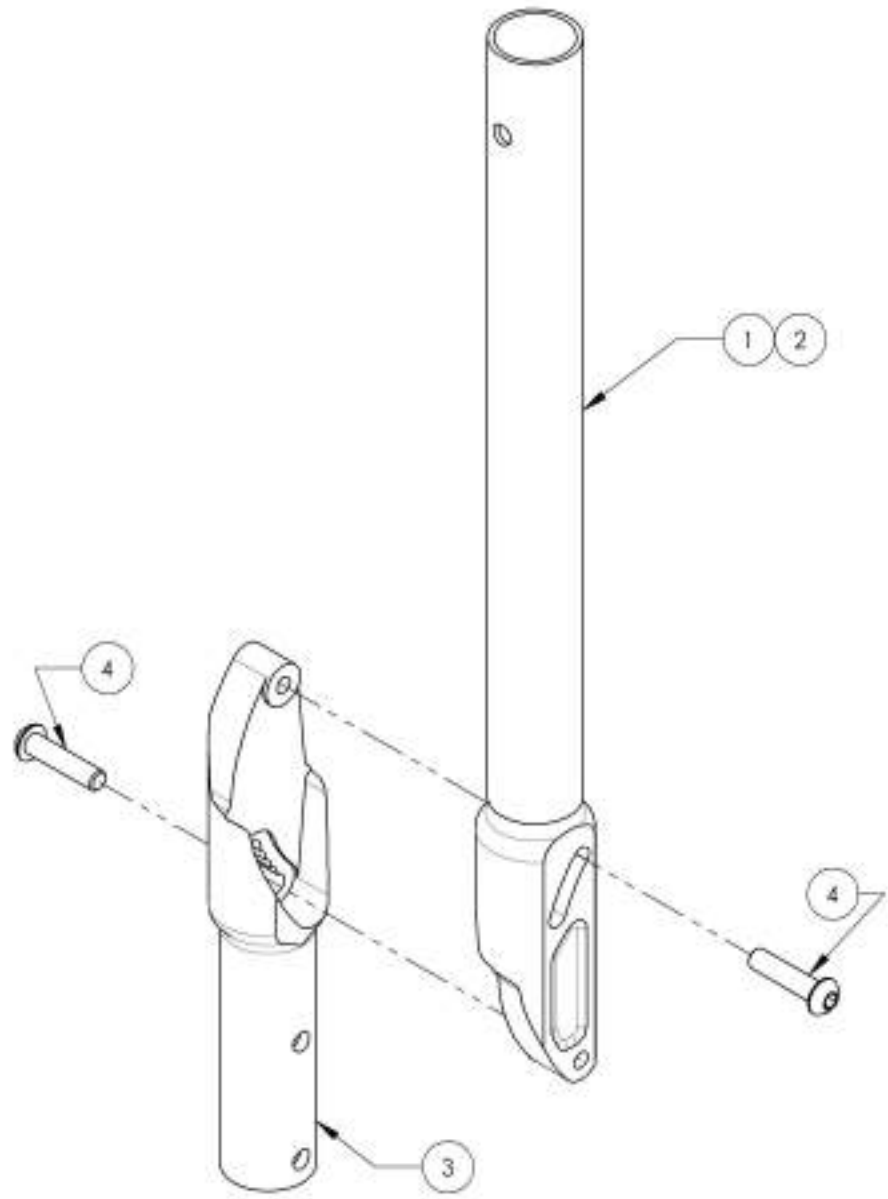
ITEM NO.	PART NO	DESCRIPTION	QTY.
1	9001 264	Back Cane - Aluminum, Straight, 9-12 in	1
2	9001 265	Back Cane - Aluminum, Straight, 12-15 in	1
3	9001 266	Back Cane - Aluminum, Straight, 15-18 in	1
4	9001 267	Back Cane - Aluminum, Straight, 18-21 in	1
5	9001 268	Back Cane - Aluminum, 8° bend, 13 1/2-15 in	1
6	9001 269	Back Cane - Aluminum, 8° bend, 15-18 in	1
7	9001 270	Back Cane - Aluminum, 8° bend, 18-21 in	1
8	9001 271	Back Cane - Aluminum, Angle Adjustable, Straight, 15-18 in	1
9	9001 272	Back Cane - Aluminum, Angle Adjustable, Straight, 18-21 in	1
10	9001 273	Back Cane - Aluminum, Angle Adjustable, 8° bend, 15-18 in	1
11	9001 274	Back Cane - Aluminum, Angle Adjustable, 8° bend, 18-21 in	1

MAKE SURE TO HAVE YOUR SERIAL NUMBER  
NEARBY WHEN ORDERING PARTS FOR YOUR  
MOTION COMPOSITES WHEELCHAIR

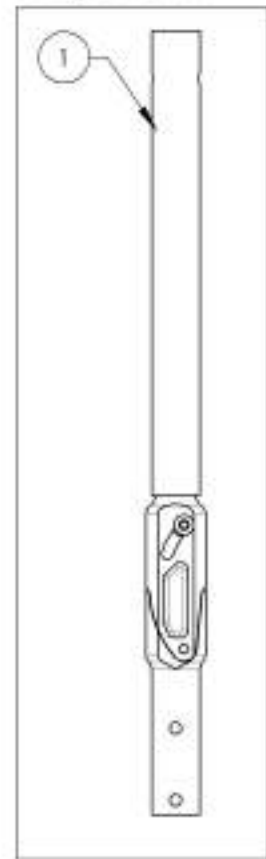
9001271\_9001272

**Back Cane - Aluminum, Angle adjustable, Straight**

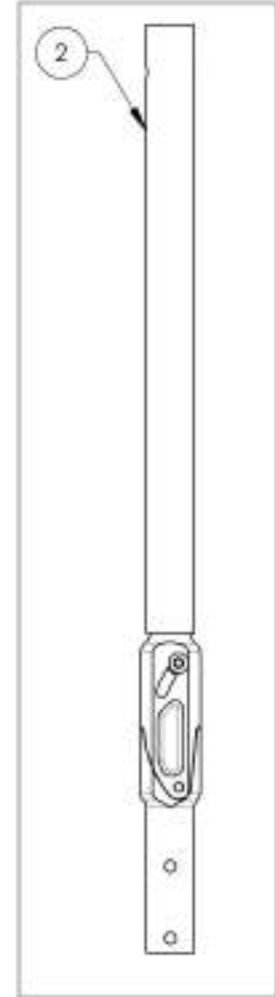
ITEM NO.	PART NO.	DESCRIPTION	9001271 /QTY.	9001272 /QTY.
1	32518	ALUMINUM ADJUSTABLE ANGLE BACK 15"-18" (M)	1	-
2	32519	ALUMINUM ADJUSTABLE ANGLE BACK 18"-21" (M)	-	1
3	32037	LOWER ADJUSTABLE BACKREST (M)	1	1
4	90663	BUTTON HEAD CAP SCREW M6X1 X 25mm LONG, FULLY THREADED	2	2



9001271  
Back Cane - Aluminum,  
Angle Adjustable,  
Straight, 15-18 in



9001272  
Back Cane - Aluminum,  
Angle Adjustable,  
Straight, 18-21 in

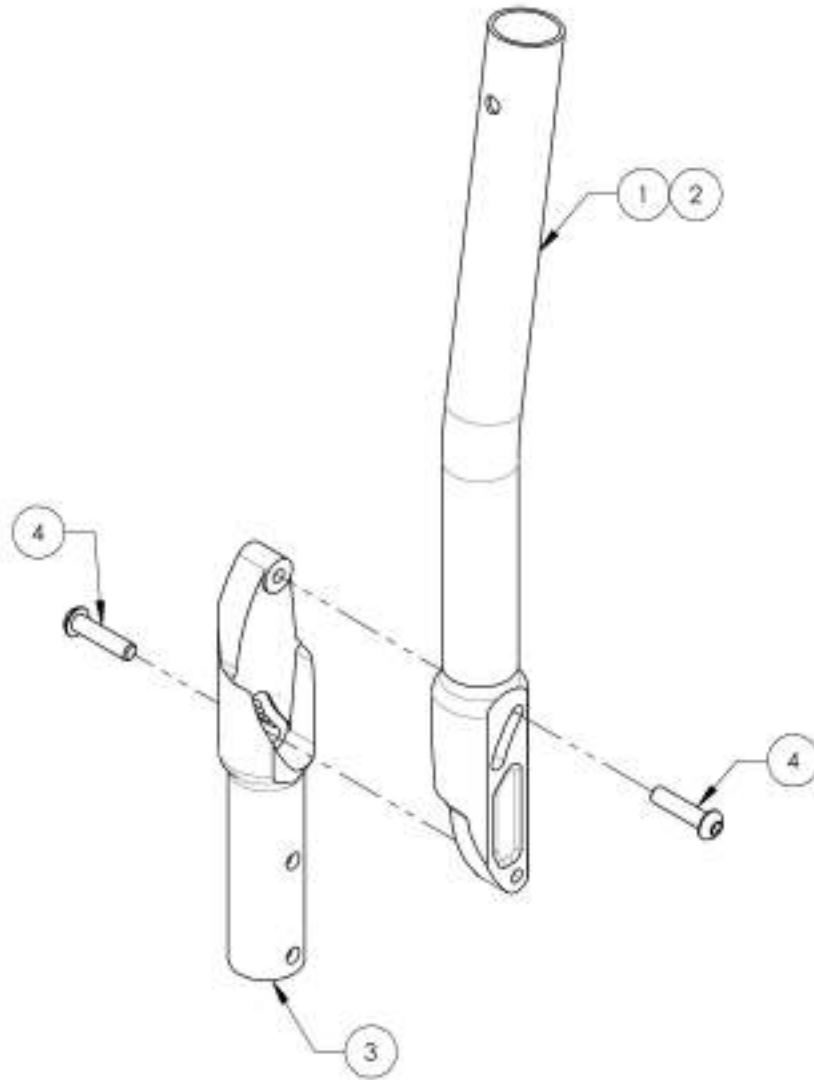


MAKE SURE TO HAVE YOUR SERIAL NUMBER NEARBY WHEN ORDERING PARTS FOR YOUR MOTION COMPOSITES WHEELCHAIR

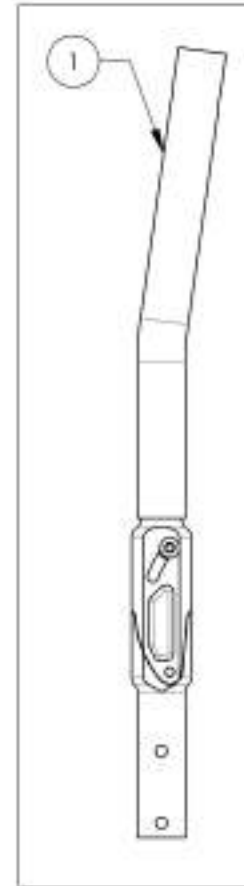
9001273\_9001274

**Back Cane - Aluminum, Angle adjustable, 8° bend**

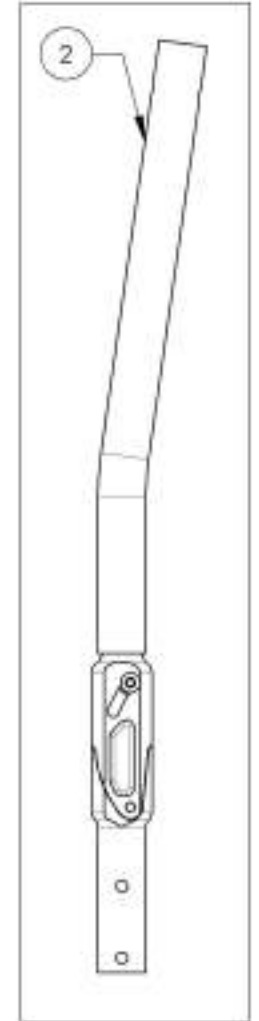
ITEM NO.	PART NO.	DESCRIPTION	9001273 /QTY.	9001274 /QTY.
1	32528	ALUMINUM ADJUSTABLE ANGLE 8° BEND BACK CANE 15"-18" (M)	1	-
2	32529	ALUMINUM ADJUSTABLE ANGLE 8° BEND BACK CANE 18"-21" (M)	-	1
3	32037	LOWER ADJUSTABLE BACKREST (M)	1	1
4	90663	BUTTON HEAD CAP SCREW M6X1 X 25mm LONG, FULLY THREADED	2	2



9001273  
Back Cane - Aluminum,  
Angle Adjustable, 8° bend,  
15-18 in.

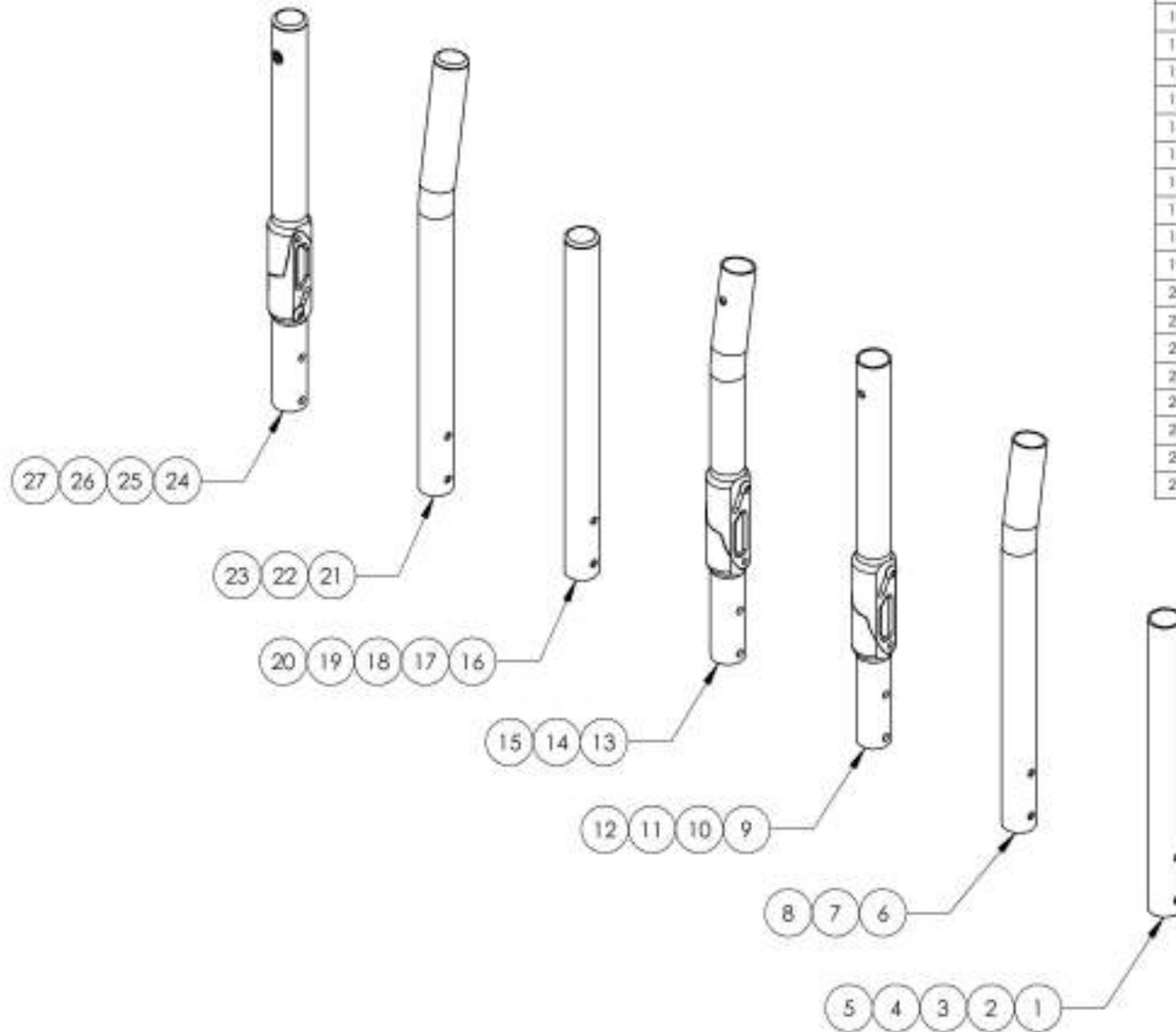


9001274  
Back Cane - Aluminum,  
Angle Adjustable, 8° bend,  
18-21 in.



MAKE SURE TO HAVE YOUR SERIAL NUMBER  
NEARBY WHEN ORDERING PARTS FOR YOUR  
MOTION COMPOSITES WHEELCHAIR

**Backrests Catalogue  
Carbon Back Canes**



ITEM NO.	PART NO.	DESCRIPTION	QTY.
1	9001239	Back Cane - Carbon Fiber, Straight, 9-12 in	1
2	9001240	Back Cane - Carbon Fiber, Straight, 12-15 in	1
3	9001241	Back Cane - Carbon Fiber, Straight, 15-18 in	1
4	9001242	Back Cane - Carbon Fiber, Straight, 18-21 in	1
5	9001243	Back Cane - Carbon Fiber, Straight, 21- 24 in	1
6	9001244	Back Cane - Carbon Fiber, 8° bend, 13½-15 in	1
7	9001245	Back Cane - Carbon Fiber, 8° bend, 15-18 in	1
8	9001246	Back Cane - Carbon Fiber, 8° bend, 18-21 in	1
9	9001247	Back Cane - Carbon Fiber, Angle adjustable, Straight, 12-15 in	1
10	9001248	Back Cane - Carbon Fiber, Angle adjustable, Straight, 15-18 in	1
11	9001249	Back Cane - Carbon Fiber, Angle adjustable, Straight, 18-21 in	1
12	9001250	Back Cane - Carbon Fiber, Angle adjustable, Straight, 21-24 in	1
13	9001005	Back Cane - Carbon Fiber, Angle Adjustable, 8° bend, 13½-15 in	1
14	9001251	Back Cane - Carbon Fiber, Angle adjustable, 8° bend, 15-18 in	1
15	9001252	Back Cane - Carbon Fiber, Angle adjustable, 8° bend, 18-21 in	1
16	9002875	Back Cane - Carbon Fiber, Straight, Fixed, 9 in	1
17	9001253	Back Cane - Carbon Fiber, Straight, Fixed 12 in	1
18	9001254	Back Cane - Carbon Fiber, Straight, Fixed 15 in	1
19	9001255	Back Cane - Carbon Fiber, Straight, Fixed 18 in	1
20	9001256	Back Cane - Carbon Fiber, Straight, Fixed 21 in	1
21	9001257	Back Cane - Carbon Fiber, 8° bend, Fixed 13½ in	1
22	9001258	Back Cane - Carbon Fiber, 8° bend, Fixed 15 in	1
23	9001259	Back Cane - Carbon Fiber, 8° bend, Fixed 18 in	1
24	9001260	Back Cane - Carbon Fiber, Angle adjustable, Fixed 13.5 in	1
25	9001261	Back Cane - Carbon Fiber, Angle adjustable, Fixed 15 in	1
26	9001262	Back Cane - Carbon Fiber, Angle adjustable, Fixed 18 in	1
27	9001263	Back Cane - Carbon Fiber, Angle adjustable, Fixed 21 in	1

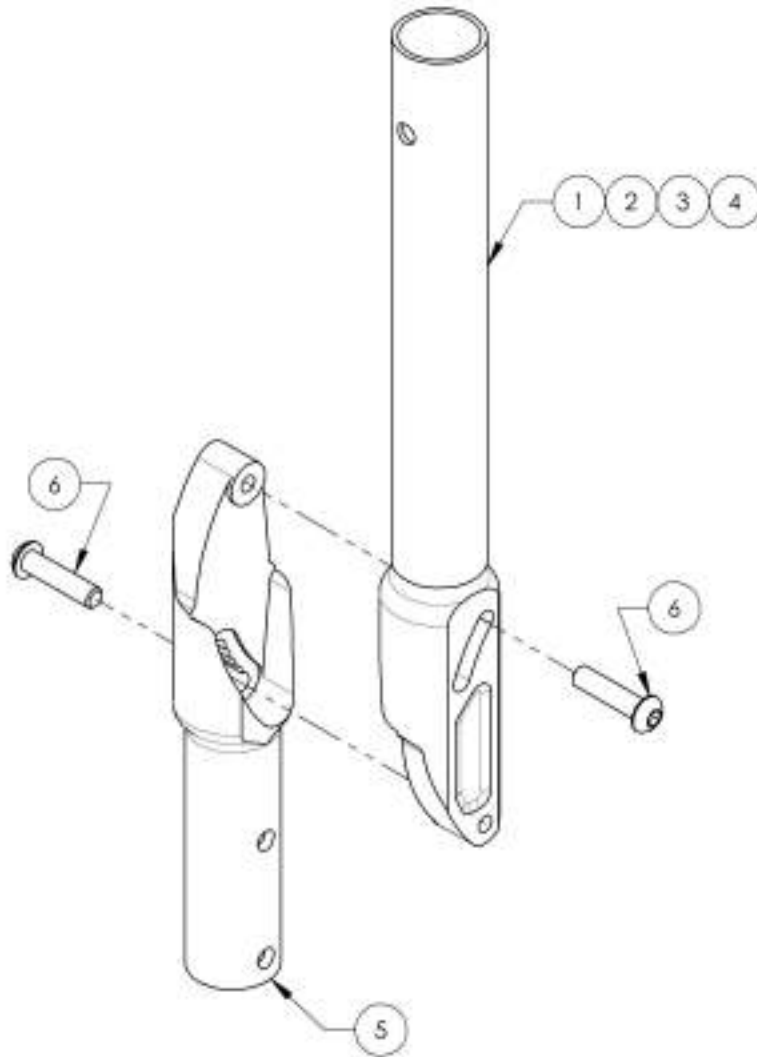
MAKE SURE TO HAVE YOUR SERIAL NUMBER  
NEARBY WHEN ORDERING PARTS FOR YOUR  
MOTION COMPOSITES WHEELCHAIR



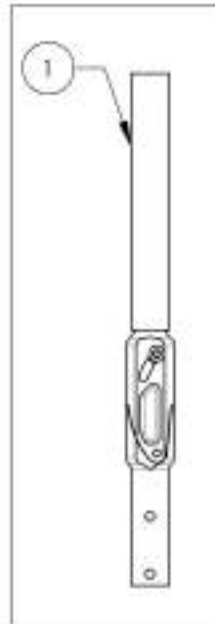
**9001247\_9001250**

**Back Cane - Carbon Fiber, Angle adjustable, Straight**

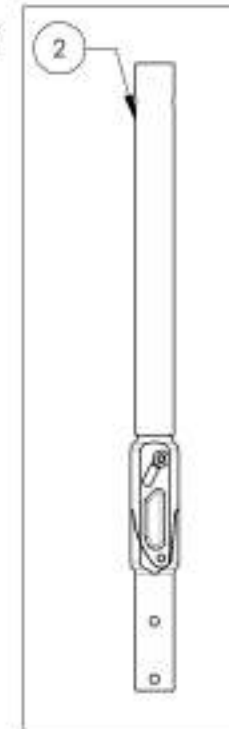
ITEM NO.	PARTNO	DESCRIPTION	9001247 /QTY.	9001248 /QTY.	9001249 /QTY.	9001250 /QTY.
1	32520	CARBON FIBER ADJUSTABLE ANGLE BACK CANE 13.5"-15" (M)	1	-	-	-
2	32521	CARBON FIBER ADJUSTABLE ANGLE BACK CANE 15"-18" (M)	-	1	-	-
3	32522	CARBON FIBER ADJUSTABLE ANGLE BACK CANE 18"-21" (M)	-	-	1	-
4	32527	CARBON FIBER ADJUSTABLE ANGLE BACK CANE 21"-24" (M)	-	-	-	1
5	32097	LOWER ADJUSTABLE BACKREST (M)	1	1	1	1
6	90663	BUTTON HEAD CAP SCREW M4X1 X 25mm LONG, FULLY THREADED	2	2	2	2



9001247  
Back Cane -  
Carbon Fiber, Angle  
adjustable, Straight,  
12-15 in



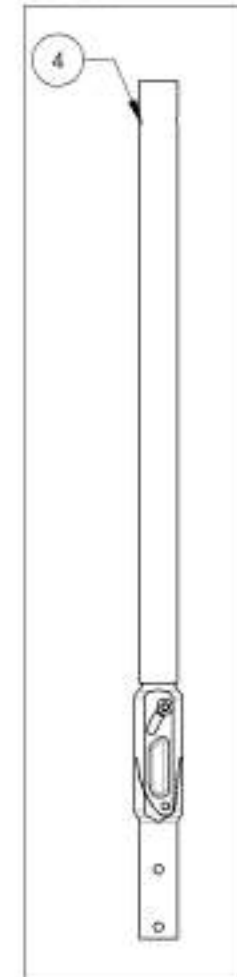
9001248  
Back Cane -  
Carbon Fiber, Angle  
adjustable, Straight,  
15-18 in



9001249  
Back Cane -  
Carbon Fiber,  
Angle adjustable,  
Straight, 18-21 in



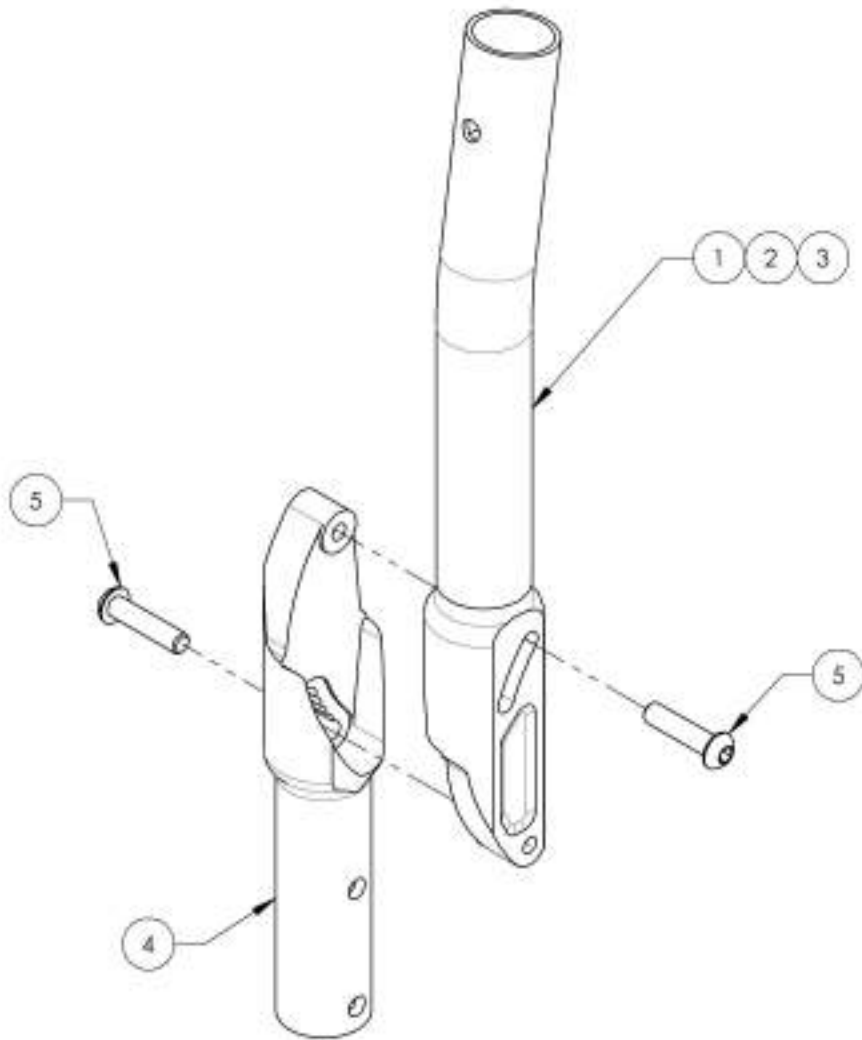
9001250  
Back Cane -  
Carbon Fiber, Angle  
adjustable, Straight,  
21-24 in



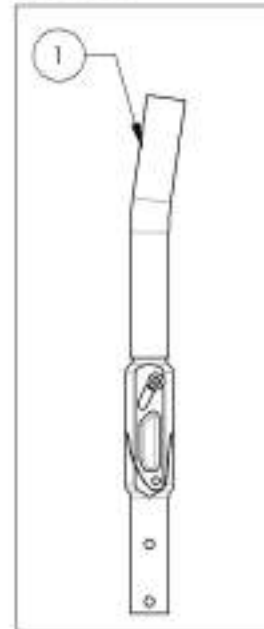
MAKE SURE TO HAVE YOUR SERIAL NUMBER  
NEARBY WHEN ORDERING PARTS FOR YOUR  
MOTION COMPOSITES WHEELCHAIR

**9001005 & 9001251 9001252**  
**Back Cane - Carbon Fiber, Angle adjustable, 8° bend**

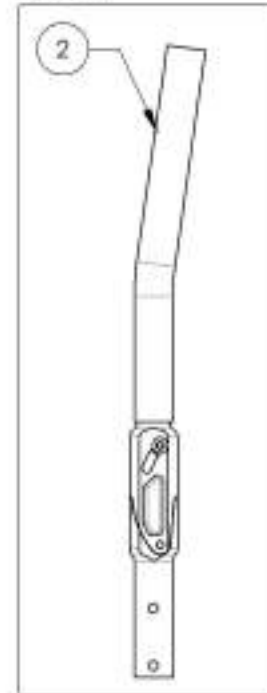
ITEM NO.	PARTNO	DESCRIPTION	9001005 /QTY.	9001251 /QTY.	9001252 /QTY.
1	32523	CARBON FIBER ADJUSTABLE ANGLE 8 DEG BEND BACK CANE 13 3/4-15in (M)	1	-	-
2	32524	CARBON FIBER ADJUSTABLE ANGLE 8 DEG BEND BACK CANE 15-18in (M)	-	1	-
3	32525	CARBON FIBER ADJUSTABLE ANGLE 8 DEG BEND BACK CANE 18-21in (M)	-	-	1
4	32037	LOWER ADJUSTABLE BACKREST (M)	1	1	1
5	90663	BUTTON HEAD CAP SCREW M&K1 X 25mm LONG, FULLY THREADED	2	2	2



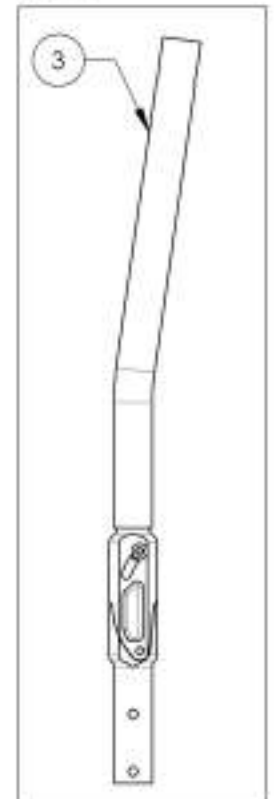
9001005  
 Back Cane - Carbon  
 Fiber, Angle  
 Adjustable, 8° bend,  
 13 3/4-15 in



9001251  
 Back Cane - Carbon  
 Fiber, Angle  
 adjustable, 8° bend,  
 15-18 in



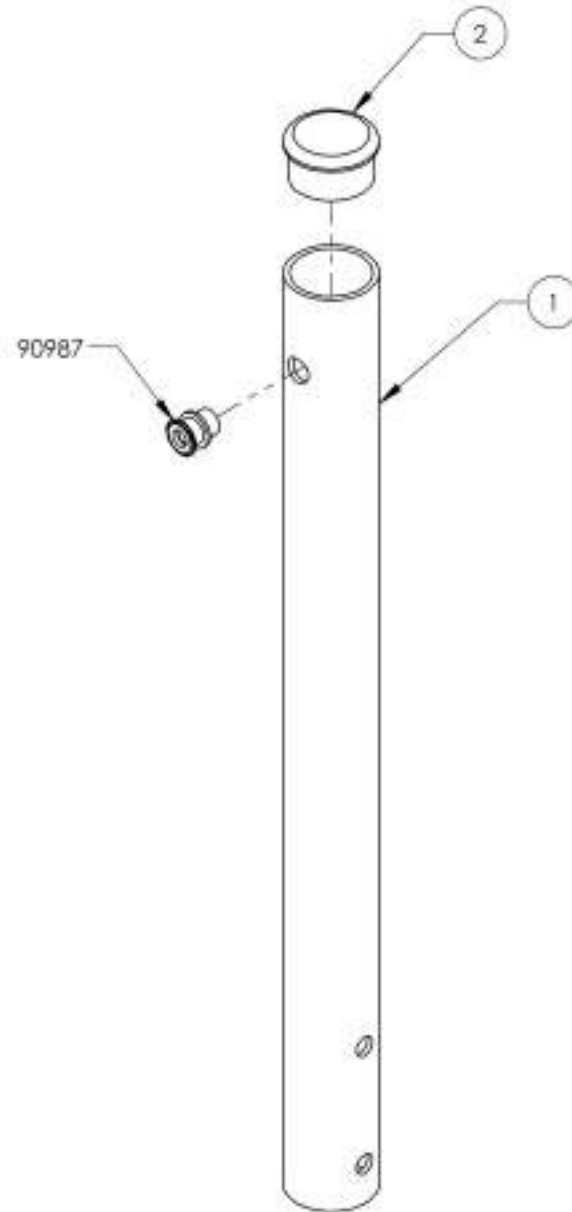
9001252  
 Back Cane - Carbon  
 Fiber, Angle  
 adjustable, 8° bend,  
 18-21 in



MAKE SURE TO HAVE YOUR SERIAL NUMBER  
 NEARBY WHEN ORDERING PARTS FOR YOUR  
 MOTION COMPOSITES WHEELCHAIR

**9002875**  
**Back Cane - Carbon Fiber, Straight, Fixed, 9 in**

ITEM NO.	PARTNO	DESCRIPTION	QTY.
1	3211B	CARBON STRAIGHT BACK CANE 9 in NO PUSH HANDLE (N)	1
2	99704	CAP 1 IN CARBON	1

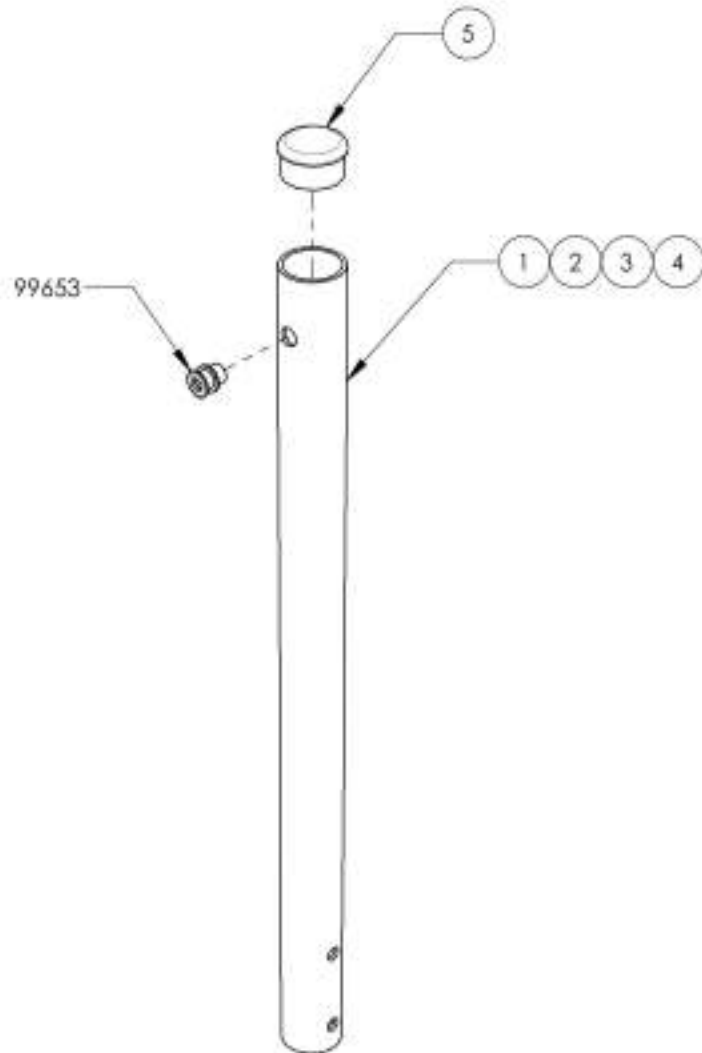


MAKE SURE TO HAVE YOUR SERIAL NUMBER  
NEARBY WHEN ORDERING PARTS FOR YOUR  
MOTION COMPOSITES WHEELCHAIR

**9001253\_9001256**

**Back Cane - Carbon Fiber, Straight, Fixed Height**

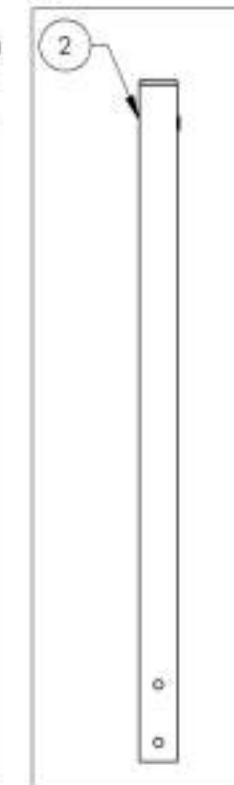
ITEM NO.	PARTNO	DESCRIPTION	9001253 /QTY.	9001254 /QTY.	9001255 /QTY.	9001256 /QTY.
1	32039	CARBON STRAIGHT BACK CANE 12" NO PUSH HANDLE (W)	1	-	-	-
2	32040	CARBON STRAIGHT BACK CANE 15" NO PUSH HANDLE (W)	-	1	-	-
3	32041	CARBON STRAIGHT BACK CANE 18" NO PUSH HANDLE (W)	-	-	1	-
4	32042	CARBON STRAIGHT BACK CANE 21" NO PUSH HANDLE (W)	-	-	-	1
5	99704	CAP 1 IN CARBON	1	1	1	1



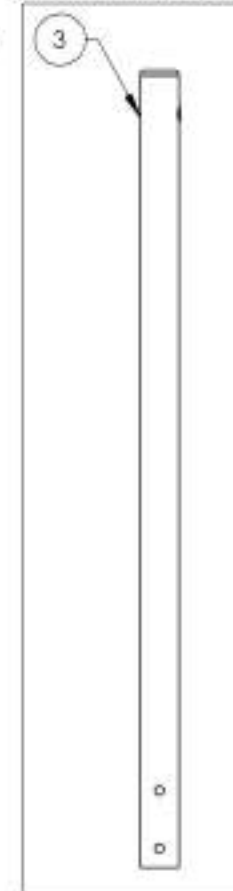
9001253  
Back Cane - Carbon  
Fiber, Straight, Fixed  
12 in



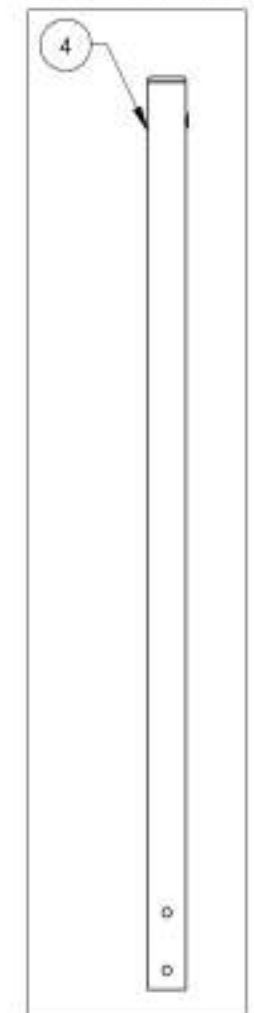
9001254  
Back Cane - Carbon  
Fiber, Straight, Fixed  
15 in



9001255  
Back Cane -  
Carbon Fiber,  
Straight, Fixed 18 in



9001256  
Back Cane -  
Carbon Fiber,  
Straight, Fixed 21 in

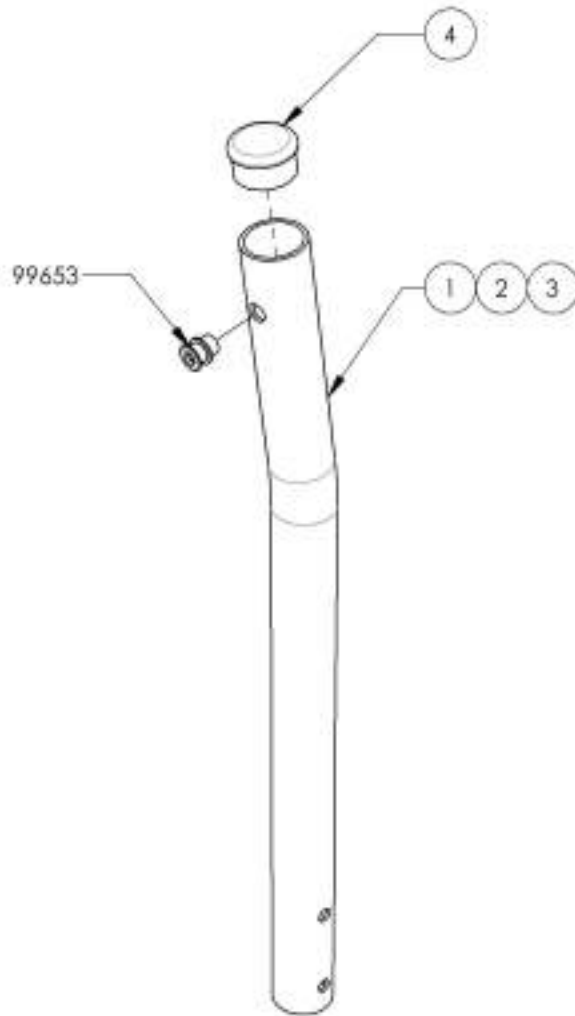


MAKE SURE TO HAVE YOUR SERIAL NUMBER NEARBY WHEN ORDERING PARTS FOR YOUR MOTION COMPOSITES WHEELCHAIR

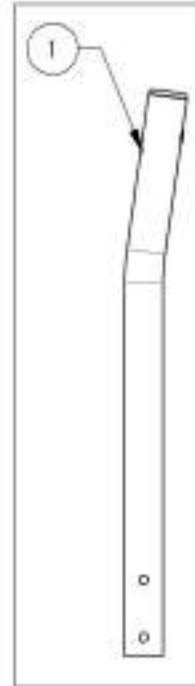
9001257\_9001259

**Back Cane - Carbon Fiber, 8° bend, Fixed Height**

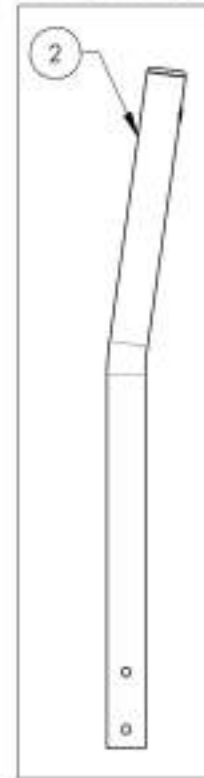
ITEM NO.	PART NO.	DESCRIPTION	9001257 /QTY.	9001258 /QTY.	9001259 /QTY.
1	32043	CARBON 8° BEND BACK CANE 13 1/2" NO PUSH HANDLE (M)	1	-	-
2	32044	CARBON 8° BEND BACK CANE 15" NO PUSH HANDLE (M)	-	1	-
3	32045	CARBON 8° BEND BACK CANE 18" NO PUSH HANDLE (M)	-	-	1
4	99704	CAP 1 IN CARBON	1	1	1



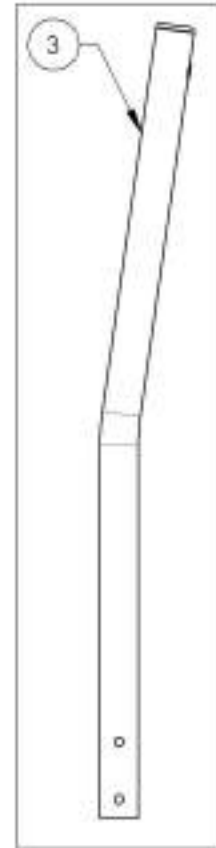
9001257  
Back Cane -  
Carbon Fiber, 8°  
bend, Fixed 13 1/2 in



9001258  
Back Cane -  
Carbon Fiber, 8°  
bend, Fixed 15 in



9001259  
Back Cane -  
Carbon Fiber, 8°  
bend, Fixed 18 in

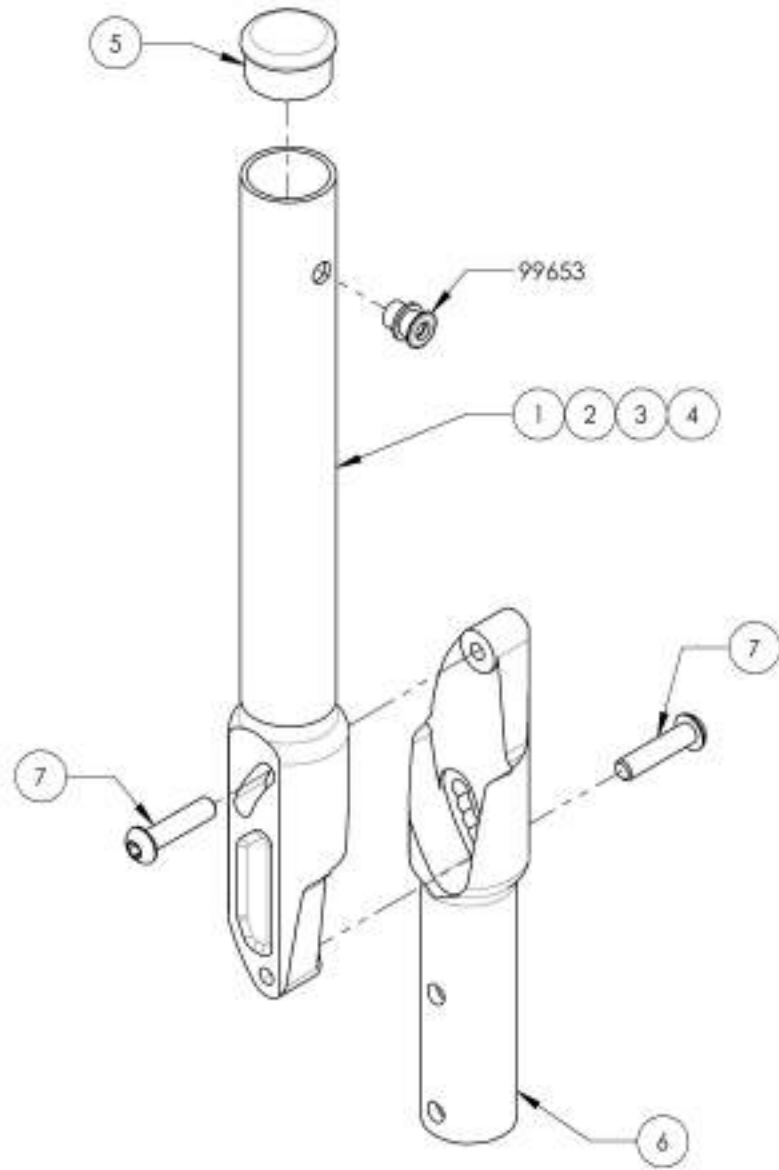


MAKE SURE TO HAVE YOUR SERIAL NUMBER  
NEARBY WHEN ORDERING PARTS FOR YOUR  
MOTION COMPOSITES WHEELCHAIR

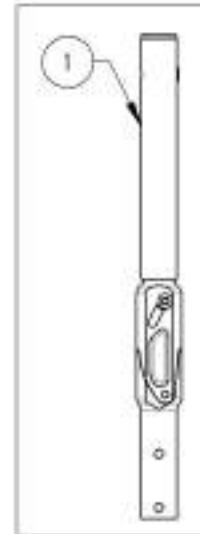
**9001260\_9001263**

**Back Cane - Carbon Fiber, Angle adjustable, Fixed Height**

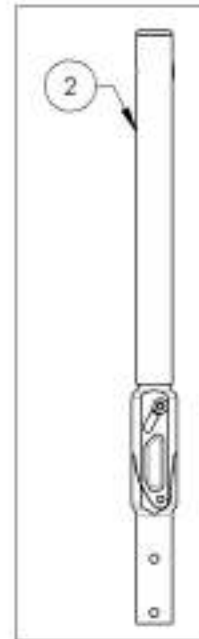
ITEM NO.	PARTNO	DESCRIPTION	9001260 /QTY.	9001261 /QTY.	9001262 /QTY.	9001263 /QTY.
1	32520	CARBON FIBER ADJUSTABLE ANGLE BACK CANE 13.5"-15" (M)	1	-	-	-
2	32521	CARBON FIBER ADJUSTABLE ANGLE BACK CANE 15"-18" (M)	-	1	-	-
3	32522	CARBON FIBER ADJUSTABLE ANGLE BACK CANE 18"-21" (M)	-	-	1	-
4	32527	CARBON FIBER ADJUSTABLE ANGLE BACK CANE 21"-24" (M)	-	-	-	1
5	99704	CAP 1 IN CARBON	1	1	1	1
6	32037	LOWER ADJUSTABLE BACKREST (M)	1	1	1	1
7	90663	BUTTON HEAD CAP SCREW M6X1 X 25mm LONG, FULLY THREADED	2	2	2	2



9001260  
Back Cane -  
Carbon Fiber,  
Angle adjustable,  
Fixed 13.5 in



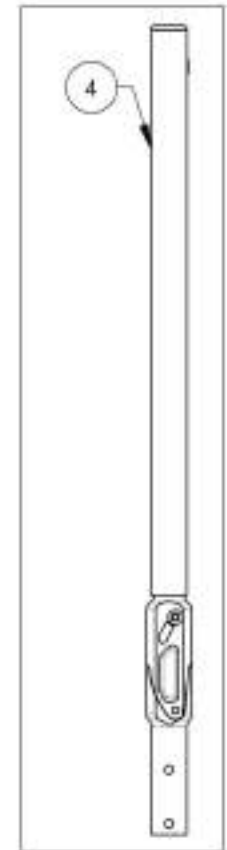
9001261  
Back Cane -  
Carbon Fiber,  
Angle adjustable,  
Fixed 15 in



9001262  
Back Cane -  
Carbon Fiber,  
Angle adjustable,  
Fixed 18 in



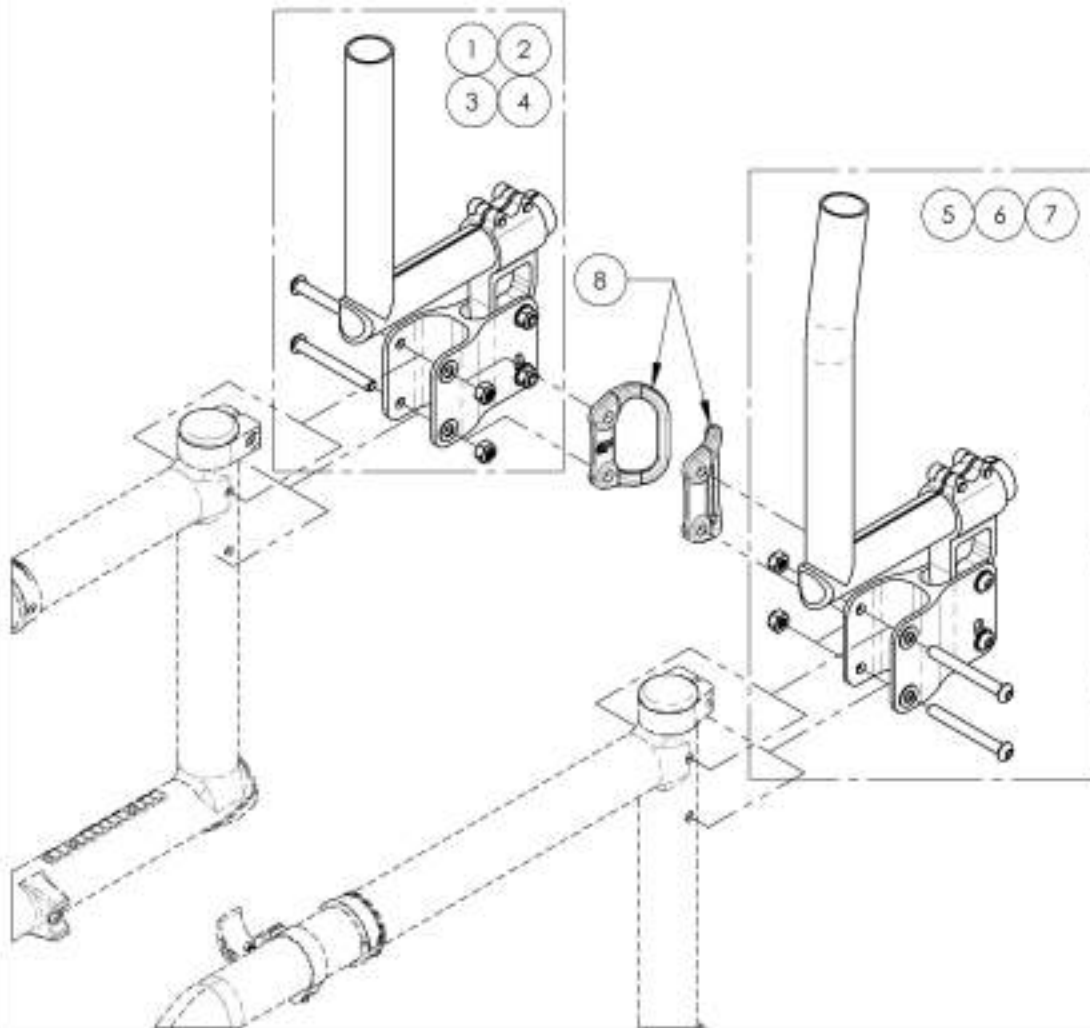
9001263  
Back Cane -  
Carbon Fiber,  
Angle adjustable,  
Fixed 21 in



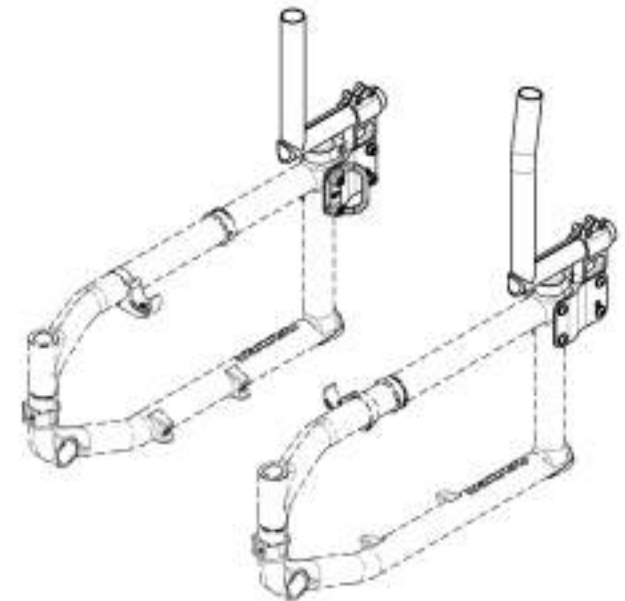
MAKE SURE TO HAVE YOUR SERIAL NUMBER  
NEARBY WHEN ORDERING PARTS FOR YOUR  
MOTION COMPOSITES WHEELCHAIR

**Backrests Catalogue**  
**Aluminum Depth Adjustable Back Canes**

ITEM NO.	PARTNO	DESCRIPTION	QTY.
1	9001278	Back Cane - Aluminum, Depth & Angle Adjustable, Straight, 9-12 in	1
2	9001279	Back Cane - Aluminum, Depth & Angle Adjustable, Straight, 12-15 in	1
3	9001280	Back Cane - Aluminum, Depth & Angle Adjustable, Straight, 15-18 in	1
4	9001281	Back Cane - Aluminum, Depth & Angle Adjustable, Straight, 18-21 in	1
5	9001282	Back Cane - Aluminum, Depth & Angle Adjustable, 8" bend, 12-15 in	1
6	9001283	Back Cane - Aluminum, Depth & Angle Adjustable, 8" bend, 15-18 in	1
7	9001284	Back Cane - Aluminum, Depth & Angle Adjustable, 8" bend, 18-21 in	1
8	9001628	Tie Down - Rear, Wheelchair Transf. Angled	2



Depth Adjustable Back Canes  
 Limited to **175lbs MAX**

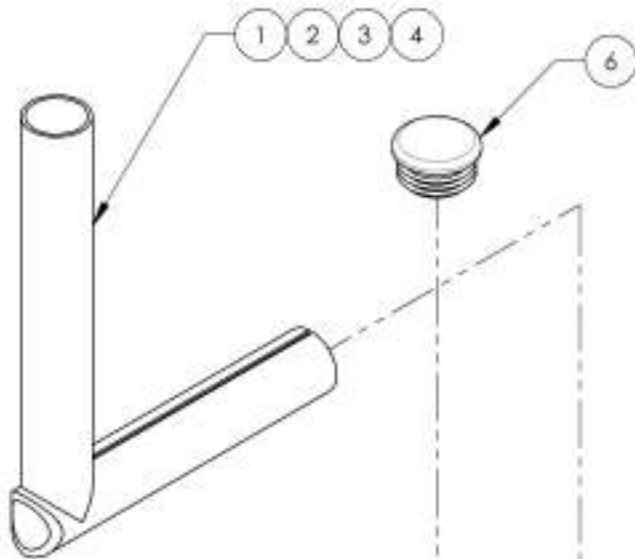


MAKE SURE TO HAVE YOUR SERIAL NUMBER  
 NEARBY WHEN ORDERING PARTS FOR YOUR  
 MOTION COMPOSITES WHEELCHAIR

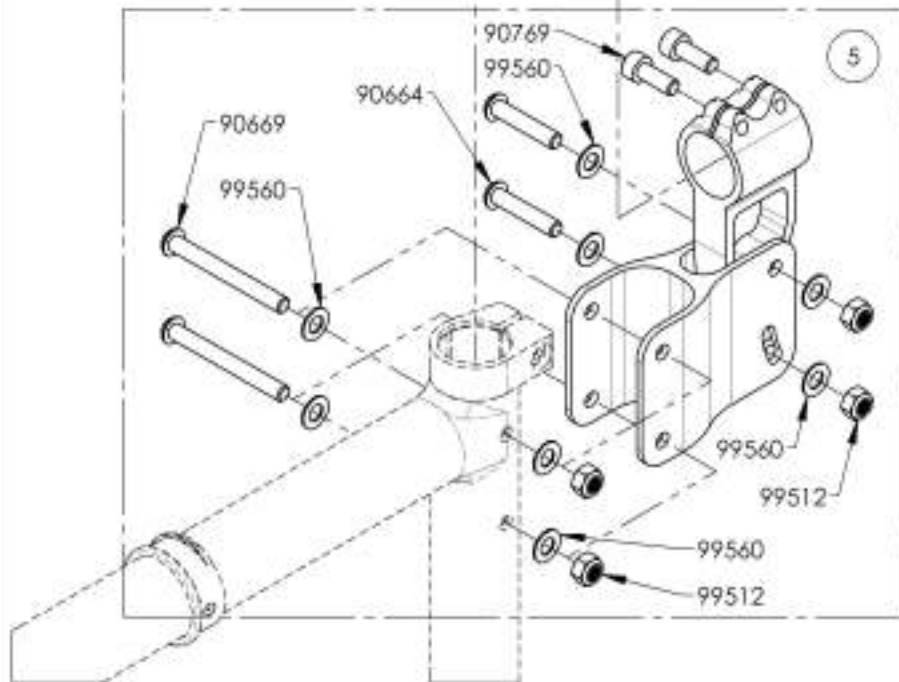
**9001278\_9001281**

**Back Cane - Aluminium, Depth & Angle Adjustable, Straight**

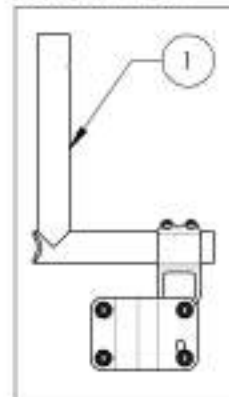
ITEM NO.	PART NO	DESCRIPTION	9001278 /QTY.	9001279 /QTY.	9001280 /QTY.	9001281 /QTY.
1	32092	STRAIGHT PEDIATRIC ANGLE ADJUSTABLE BACK CANE 9-12in (M)	1	-	-	-
2	32093	STRAIGHT PEDIATRIC ANGLE ADJUSTABLE BACK CANE 12-15in (M)	-	1	-	-
3	32094	STRAIGHT PEDIATRIC ANGLE ADJUSTABLE BACK CANE 15-18in (M)	-	-	1	-
4	32082	STRAIGHT PEDIATRIC ANGLE ADJUSTABLE BACK CANE 18-21in (M)	-	-	-	1
5	32707	PEDIATRIC ANGLE ADJUSTABLE BACKREST SUPPORT - ASSEMBLY	1	1	1	1
6	99703	CAP 1 1/4in	1	1	1	1



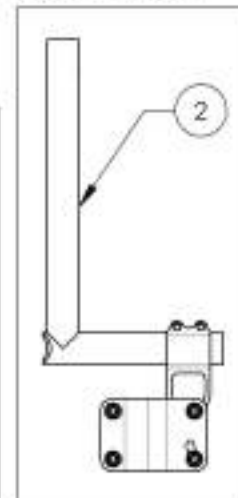
**Depth Adjustable Back Canes  
Limited to 175lbs MAX**



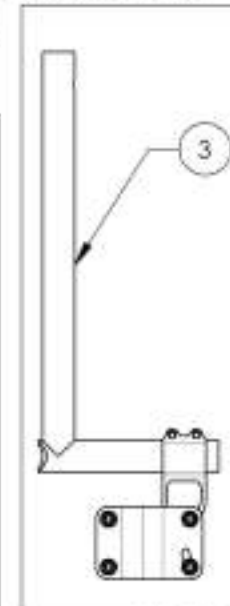
9001278  
Back Cane -  
Aluminum, Depth &  
Angle Adjustable,  
Straight, 9-12 in



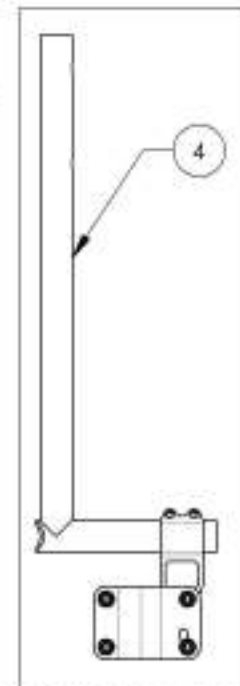
9001279  
Back Cane -  
Aluminum, Depth &  
Angle Adjustable,  
Straight, 12-15 in



9001280  
Back Cane -  
Aluminum, Depth &  
Angle Adjustable,  
Straight, 15-18 in



9001281  
Back Cane -  
Aluminum, Depth &  
Angle Adjustable,  
Straight, 18-21 in



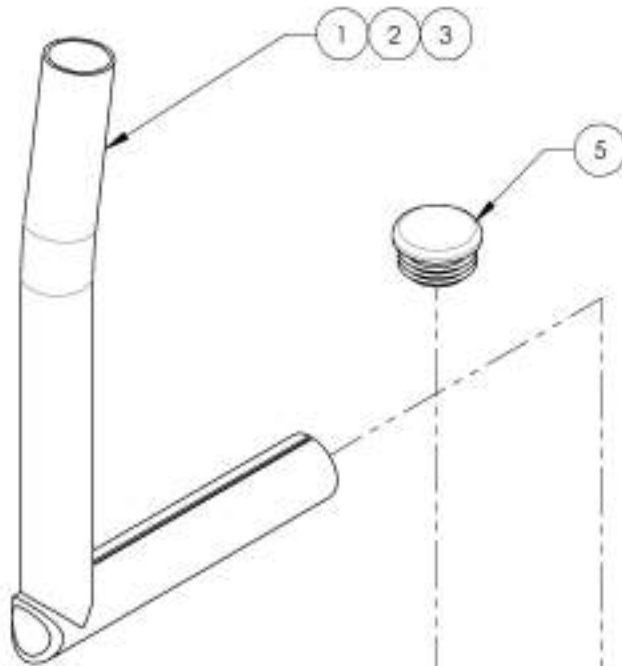
MAKE SURE TO HAVE YOUR SERIAL NUMBER  
NEARBY WHEN ORDERING PARTS FOR YOUR  
MOTION COMPOSITES WHEELCHAIR



9001282\_9001284

Back Cane - Aluminium, Depth & Angle Adjustable, 8° bend

ITEM NO.	PART NO	DESCRIPTION	9001282 /QTY.	9001283 /QTY.	9001284 /QTY.
1	32099	8° PEDIATRIC ANGLE ADJUSTABLE BACK CANE 12-15"	1	-	-
2	32090	8° PEDIATRIC ANGLE ADJUSTABLE BACK CANE 15-18"	-	1	-
3	32091	8° PEDIATRIC ANGLE ADJUSTABLE BACK CANE 18-21"	-	-	1
4	32707	PEDIATRIC ANGLE ADJUSTABLE BACKREST SUPPORT - ASSEMBLY	1	1	1
5	99703	CAP 1 1/4"	1	1	1

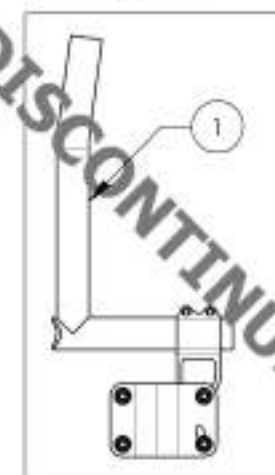
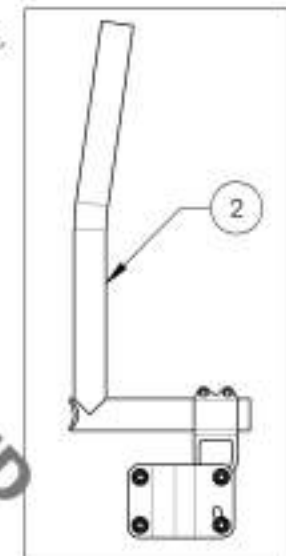
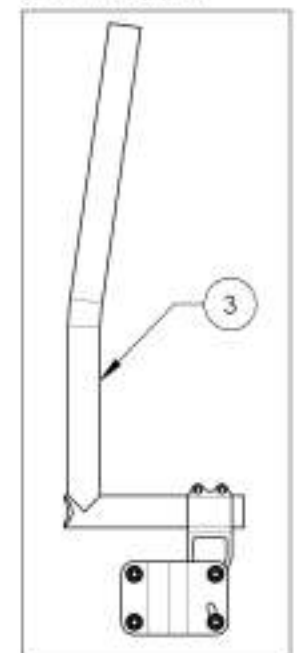


Depth Adjustable Back Canes  
Limited to **175lbs MAX**

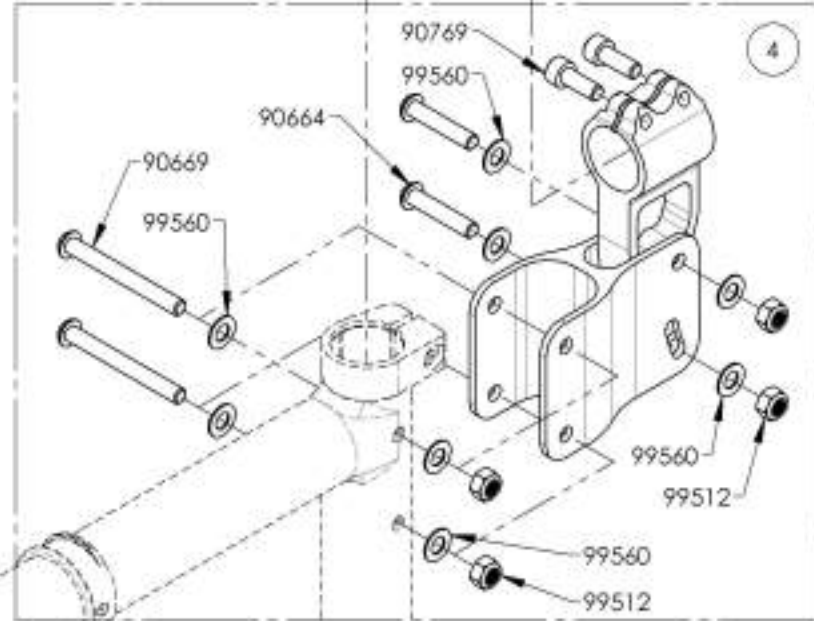
9001284  
Back Cane - Aluminium,  
Depth & Angle Adjustable,  
8° bend, 18-21 in

9001283  
Back Cane - Aluminium,  
Depth & Angle Adjustable,  
8° bend, 15-18 in

9001282  
Back Cane - Aluminium,  
Depth & Angle Adjustable,  
8° bend, 12-15 in



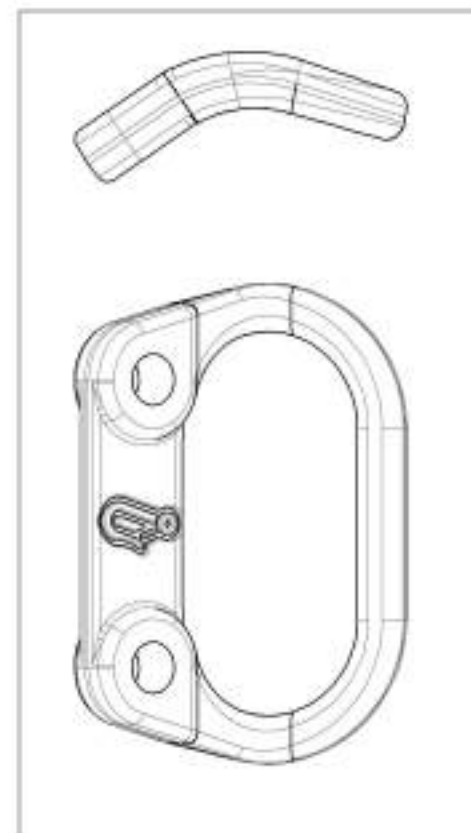
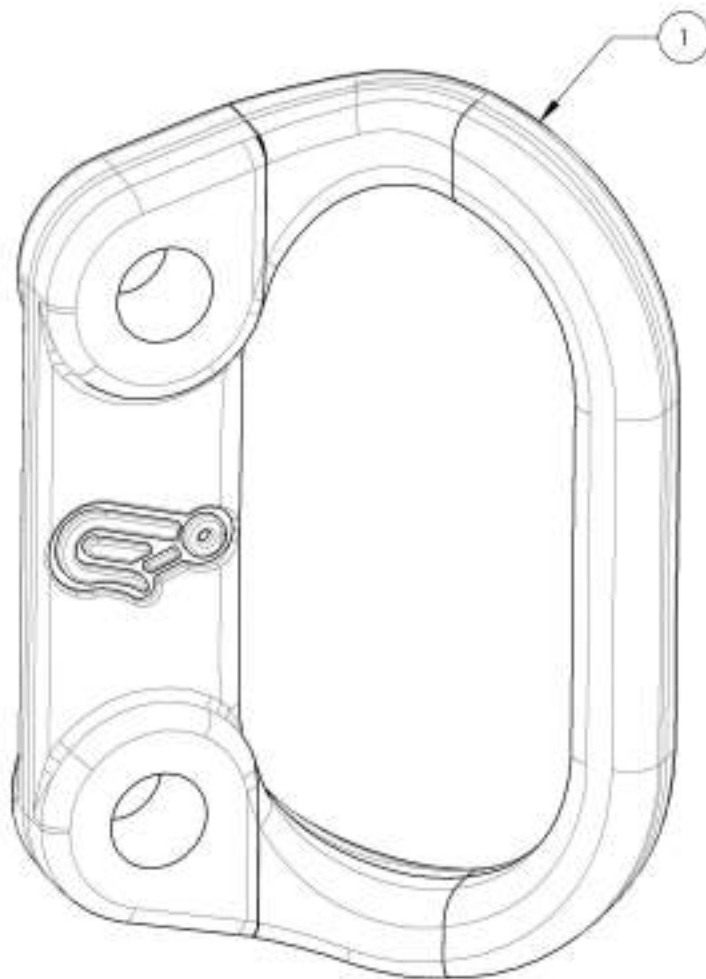
**DISCONTINUED**



MAKE SURE TO HAVE YOUR SERIAL NUMBER NEARBY WHEN ORDERING PARTS FOR YOUR MOTION COMPOSITES WHEELCHAIR

**9001626**  
**Tie Down - Rear, Wheelchair Transit, Angled**

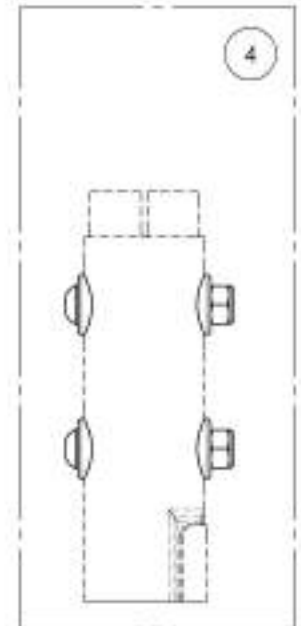
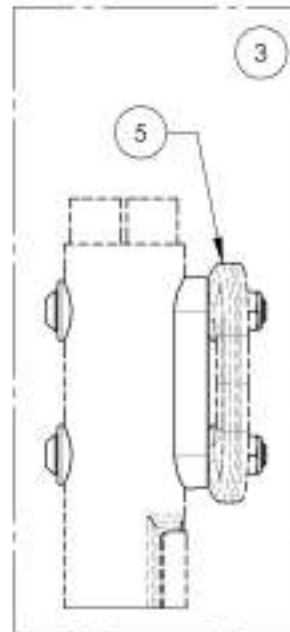
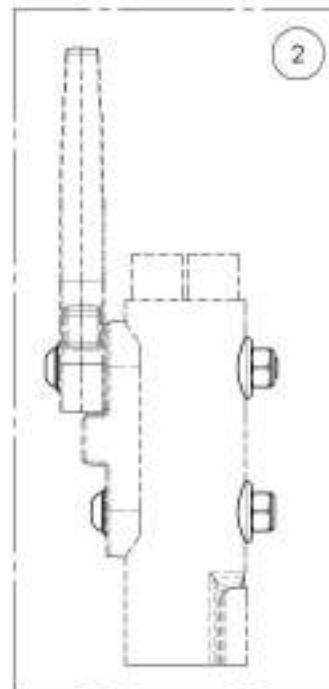
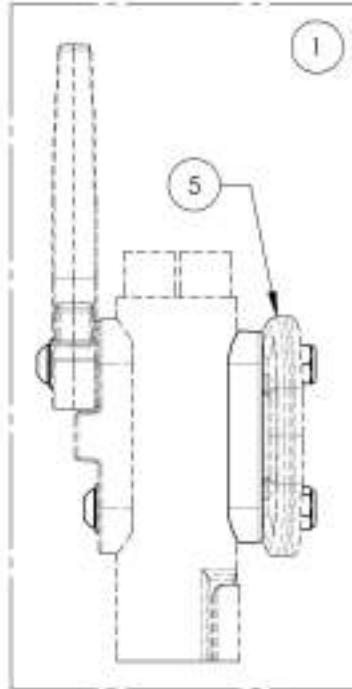
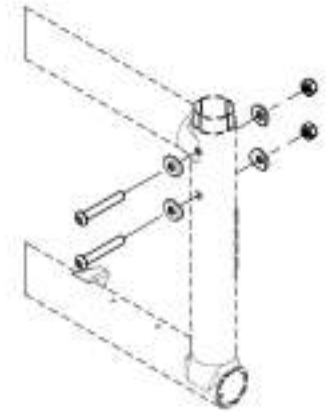
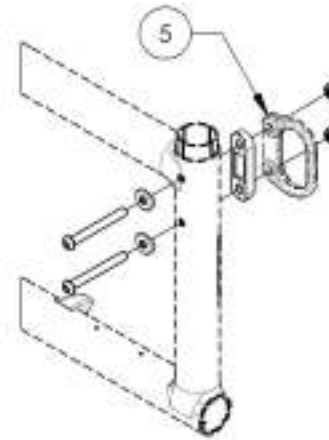
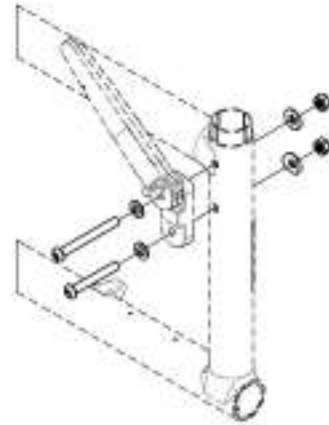
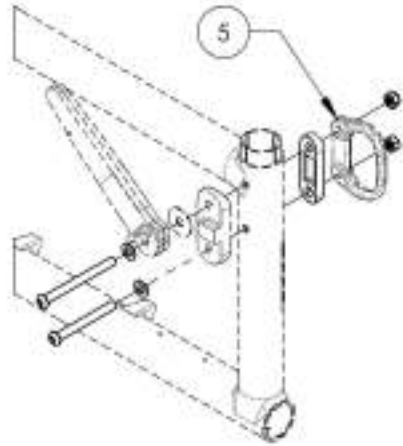
ITEM NO.	PARTNO	DESCRIPTION	9001626 /QTY.
1	22076	KDS TIE DOWN	1



MAKE SURE TO HAVE YOUR SERIAL NUMBER  
NEARBY WHEN ORDERING PARTS FOR YOUR  
MOTION COMPOSITES WHEELCHAIR

**Backrests Catalogue**  
**Back Cane Hardware (Carbon Frame)**

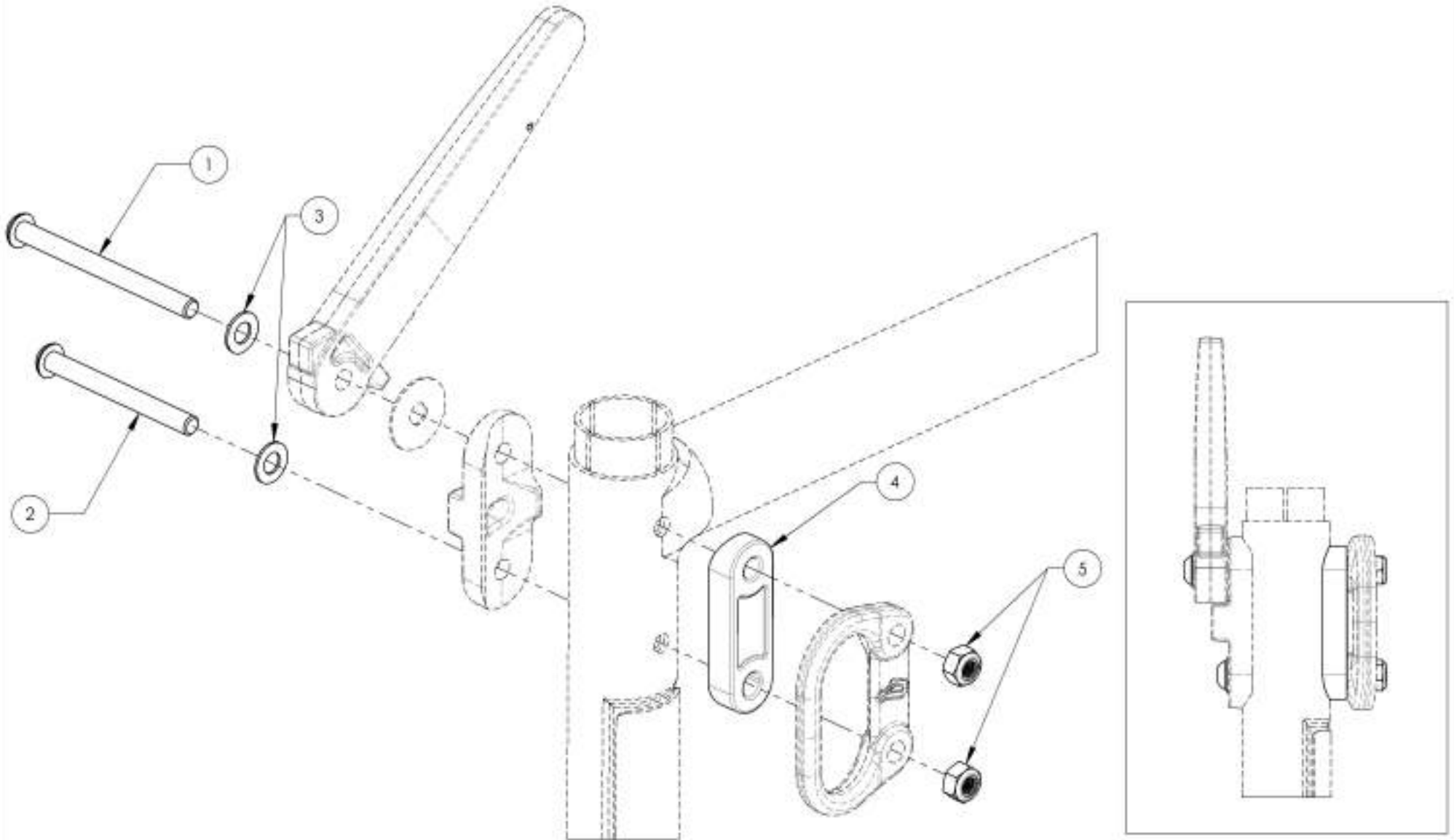
ITEM NO.	PARTNO	DESCRIPTION	QTY.
1	9001233	Back Cane - Hardware, With Tie Down for Flip Back Armrest	1
2	9001234	Back Cane - Hardware, Without Tie Down for Flip Back Armrest	1
3	9001235	Back Cane - Hardware, With Tie Down for T Armrest, Side Guards, Mud Guards, Locking Flip-Up Armrest, No Armrest	1
4	9001236	Back Cane - Hardware, Without Tie Down for T Armrest, Side Guards, Mud Guards, Locking Flip-Up Armrest, No Armrest	1
5	9001625	Tie Down - Rear, Wheelchair Transit	1



MAKE SURE TO HAVE YOUR SERIAL NUMBER  
 NEARBY WHEN ORDERING PARTS FOR YOUR  
 MOTION COMPOSITES WHEELCHAIR

**9001233**  
**Back Cane - Hardware, With Tie Down for Flip Back Armrest**

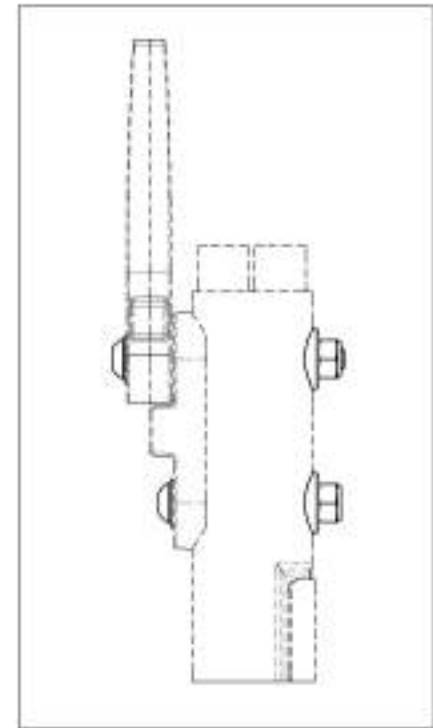
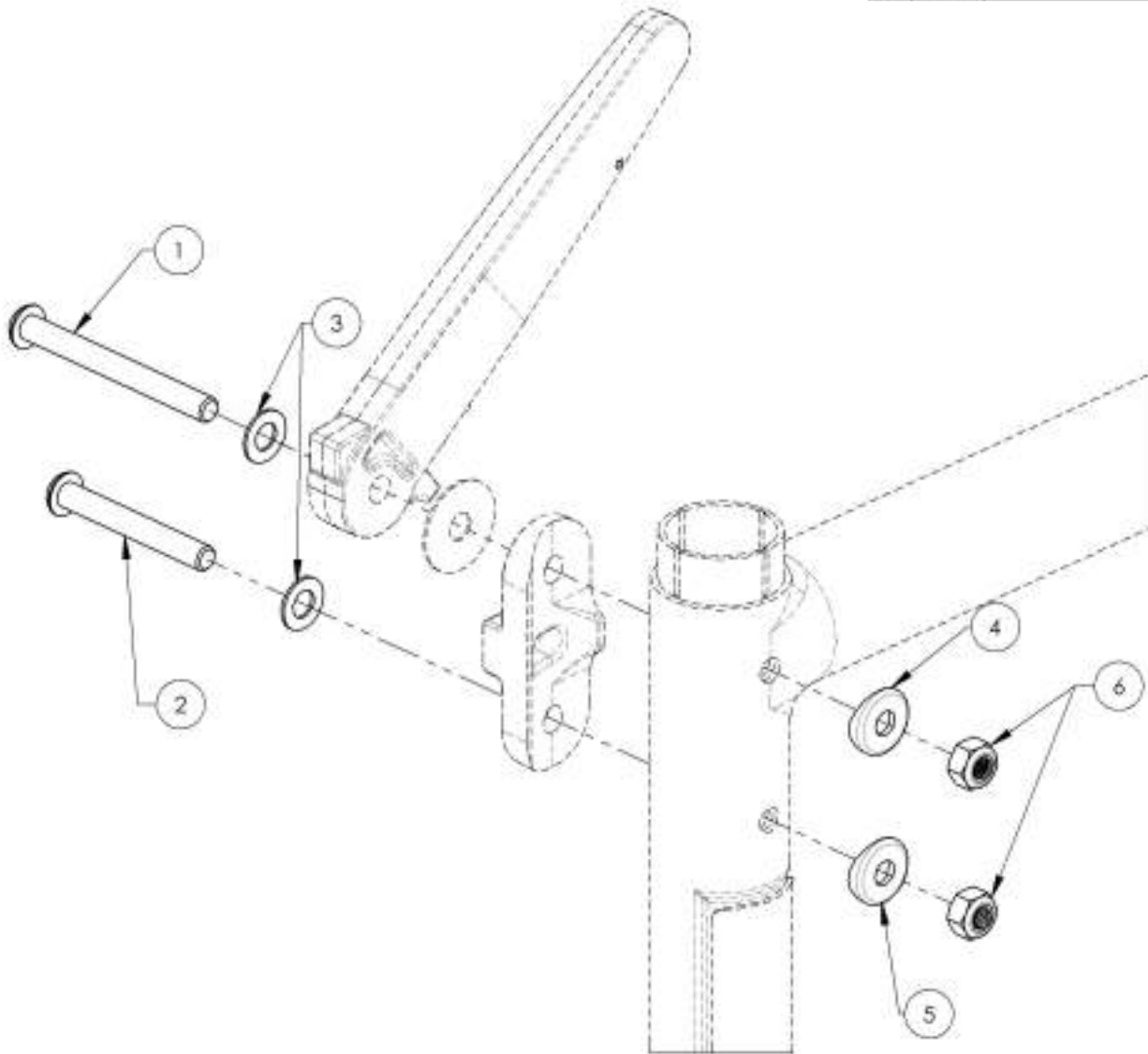
ITEM NO.	PARTNO	DESCRIPTION	9001233 /QTY.
1	90982	BUTTON HEAD CAP SCREW M6X1 X 70mm LONG, 24mm THREADED + BLUE THREADLOCKER - BLACK ZINC	1
2	90670	BUTTON HEAD CAP SCREW M6X1 X 58mm LONG, 24mm THREADED + BLUE THREADLOCKER - BLACK ZINC	1
3	99560	WASHER 1/4 17/64 ID X 1/2 OD X .032 THK	2
4	32066	DOUBLE COVERED WASHER	1
5	99512	M6 LOW NYLON LOCK	2



MAKE SURE TO HAVE YOUR SERIAL NUMBER  
 NEARBY WHEN ORDERING PARTS FOR YOUR  
 MOTION COMPOSITES WHEELCHAIR

**9001234**  
**Back Cane - Hardware, Without Tie Down for Flip Back Armrest**

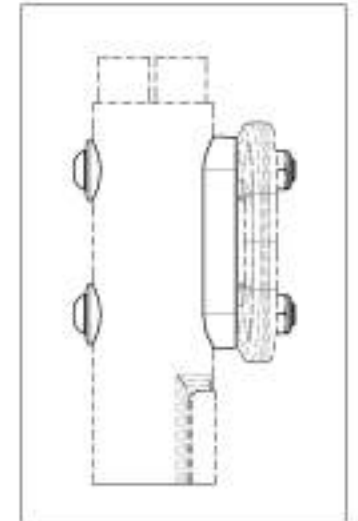
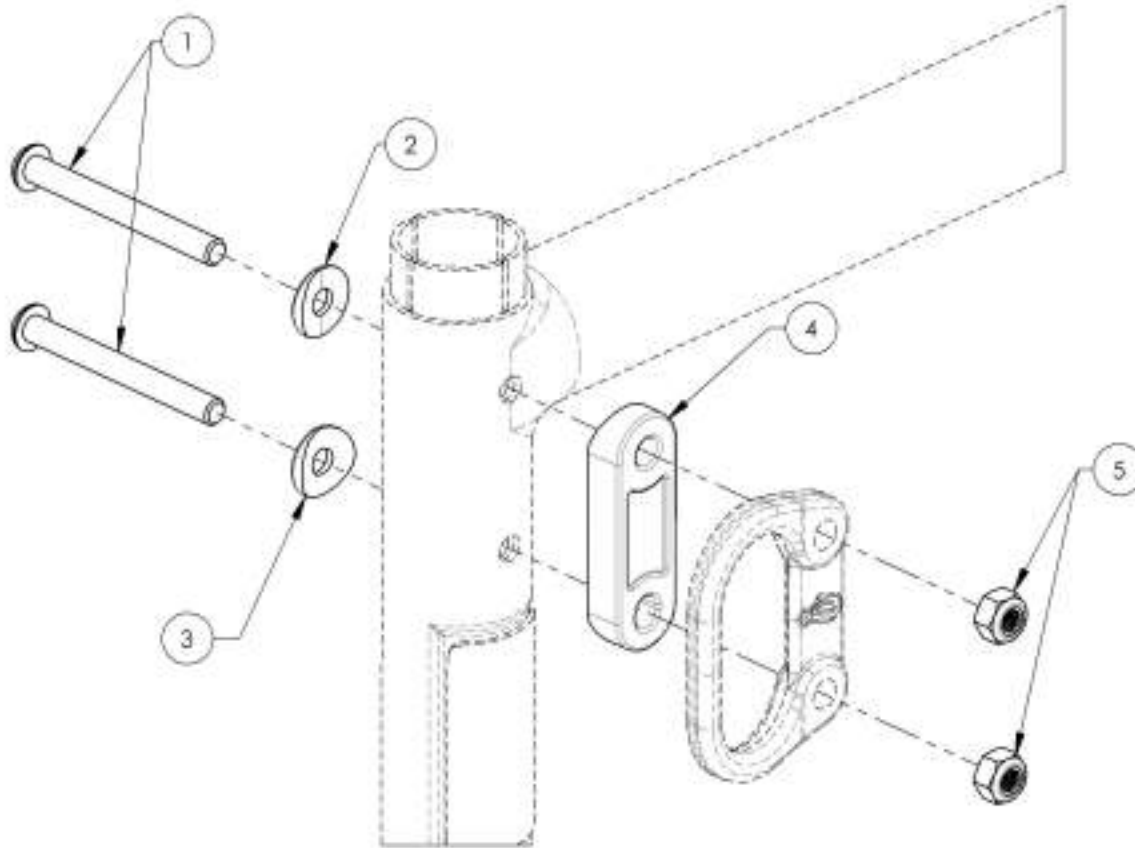
ITEM NO.	PARTNO	DESCRIPTION	9001234 /QTY.
1	90670	BUTTON HEAD CAP SCREW M&X1 X 58mm LONG, 24mm THREADED + BLUE THREADLOCKER - BLACK ZINC	1
2	90667	BUTTON HEAD CAP SCREW M&X1 X 45mm LONG, 24mm THREADED + BLUE THREADLOCKER - BLACK ZINC	1
3	99560	WASHER 1/4 17/64 ID X 1/2 OD X .032 THK	2
4	32089	ALU SEMI COVERED WASHER	1
5	31179	V2 FOOTREST COVERED WASHER	1
6	99512	M6 LOW NYLON LOCK	2



MAKE SURE TO HAVE YOUR SERIAL NUMBER  
 NEARBY WHEN ORDERING PARTS FOR YOUR  
 MOTION COMPOSITES WHEELCHAIR

**9001235****Back Cane - Hardware, With Tie Down for T Armrest, Side Guards, Mud Guards, Locking Flip-Up Armrest, No Armrest**

ITEM NO.	PARTNO	DESCRIPTION	9001235 QTY.
1	9066P	BUTTON HEAD CAP SCREW M6X1 X 55mm LONG, 24mm THREADED + BLUE THREADLOCKER - BLACK ZINC	2
2	32089	ALU SEMI COVERED WASHER	1
3	31179	V2 FOOTREST COVERED WASHER	1
4	32066	DOUBLE COVERED WASHER	1
5	99512	N6 LOW NYLON LOCK	2

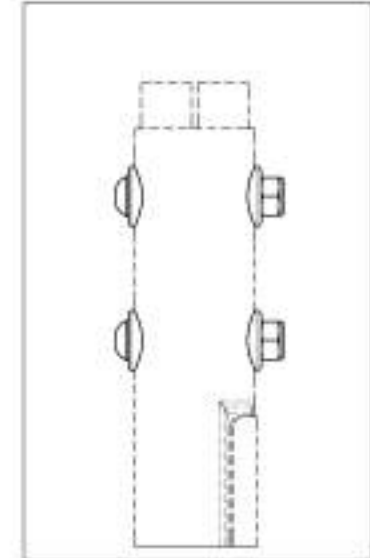
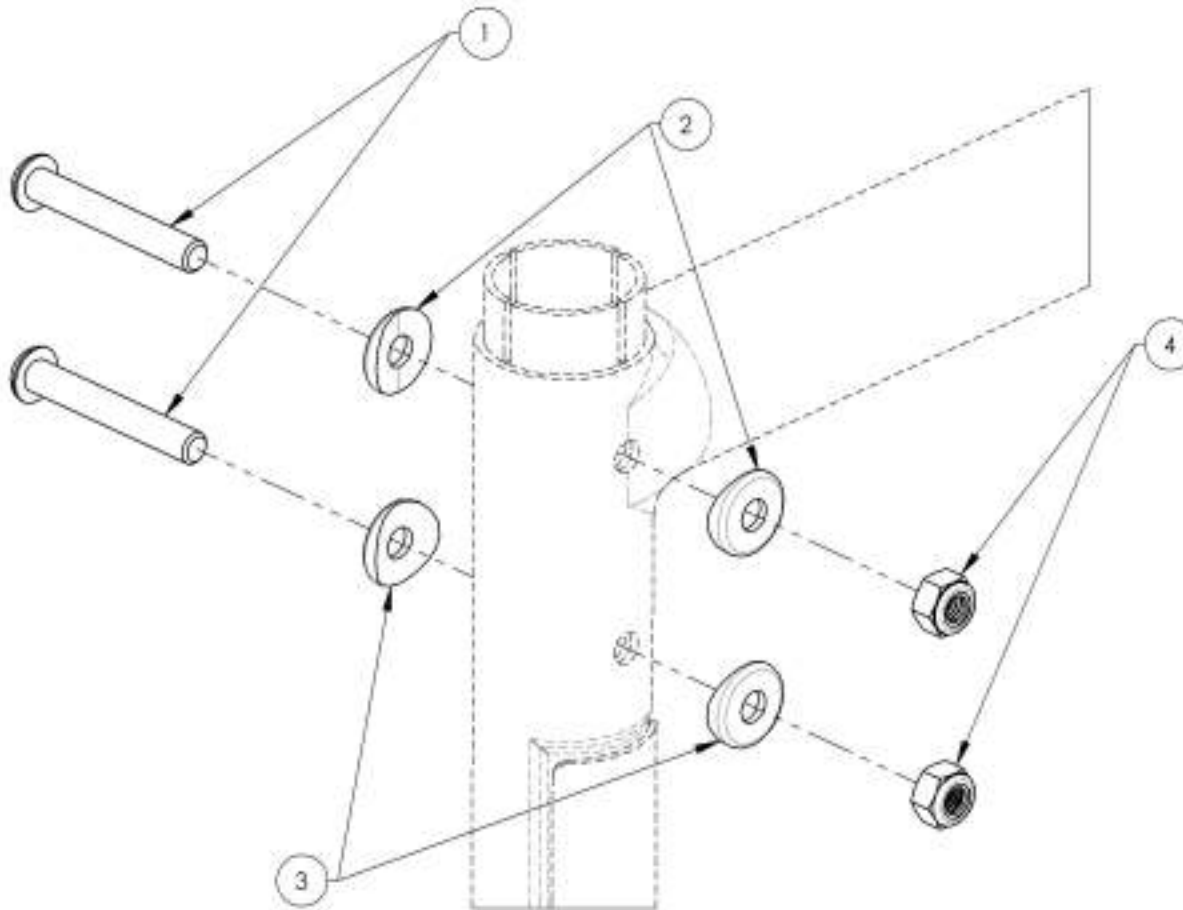


MAKE SURE TO HAVE YOUR SERIAL NUMBER  
NEARBY WHEN ORDERING PARTS FOR YOUR  
MOTION COMPOSITES WHEELCHAIR

9001236

**Back Cane - Hardware, Without Tie Down for T Armrest, Side Guards,  
Mud Guards, Locking Flip-Up Armrest, No Armrest**

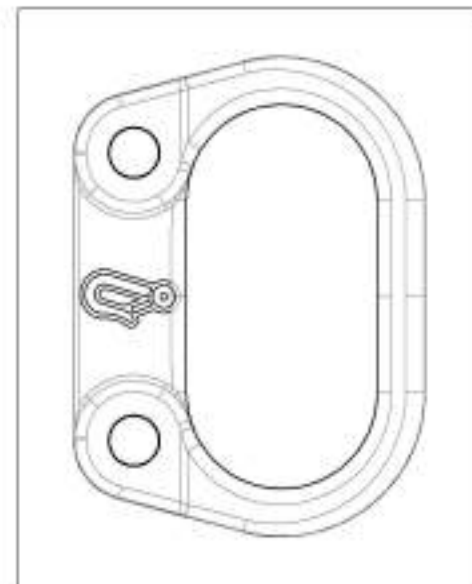
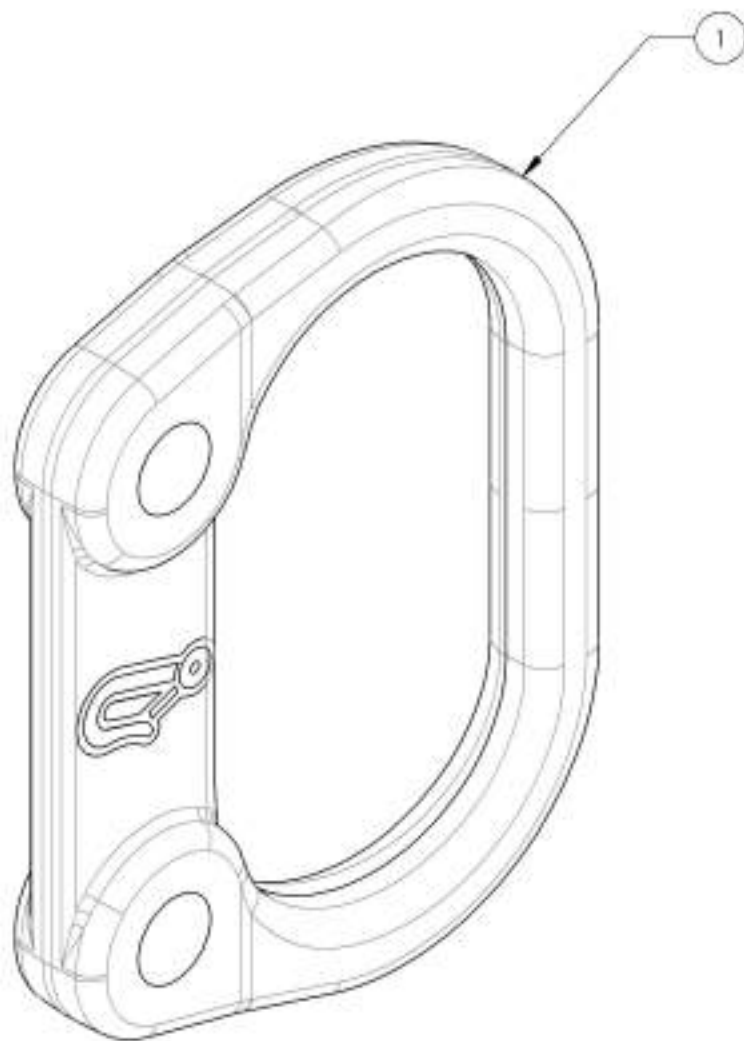
ITEM NO.	PARTNO	DESCRIPTION	9001236 QTY.
1	90666	BUTTON HEAD CAP SCREW MAX1 X 40mm LONG, 24mm THREADED + BLUE THREADLOCKER - BLACK ZINC	2
2	32089	ALU SEMI COVED WASHER	2
3	31179	V2 FOOTREST COVED WASHER	2
4	99512	M6 LOW NYLON LOCK	2



MAKE SURE TO HAVE YOUR SERIAL NUMBER  
NEARBY WHEN ORDERING PARTS FOR YOUR  
MOTION COMPOSITES WHEELCHAIR

**9001625**  
**Tie Down - Rear, Wheelchair Transit**

ITEM NO.	PARTNO	DESCRIPTION	9001625 /QTY.
1	22004	FRONT TIE DOWN	1

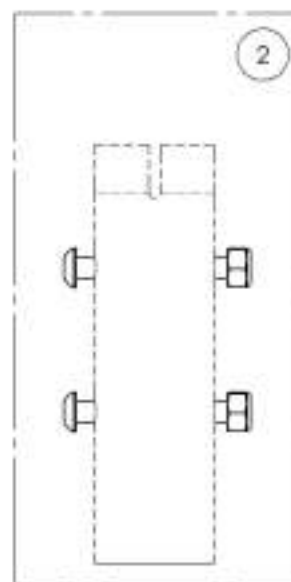
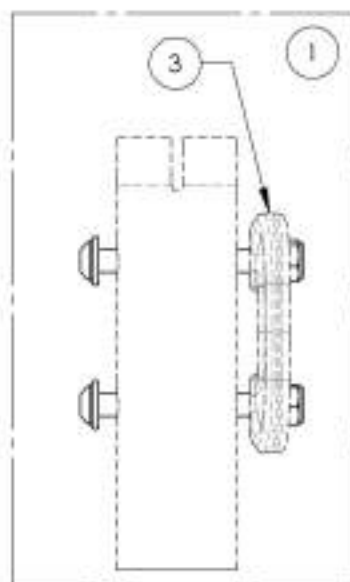
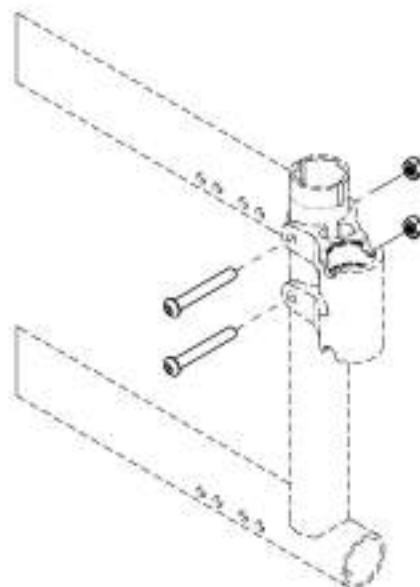
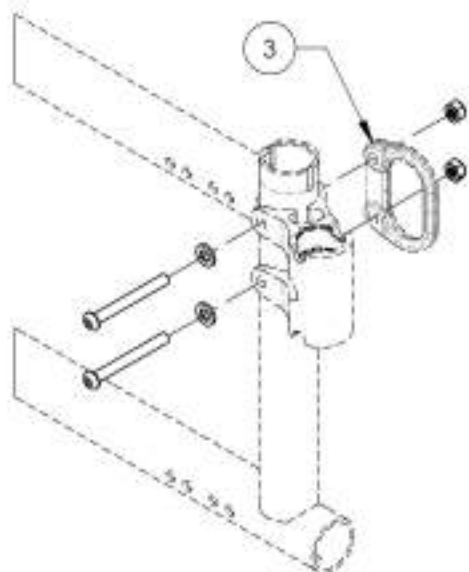


MAKE SURE TO HAVE YOUR SERIAL NUMBER  
NEARBY WHEN ORDERING PARTS FOR YOUR  
MOTION COMPOSITES WHEELCHAIR



**Backrests Catalogue**  
**Back Cane Hardware (L Type Armrest)**

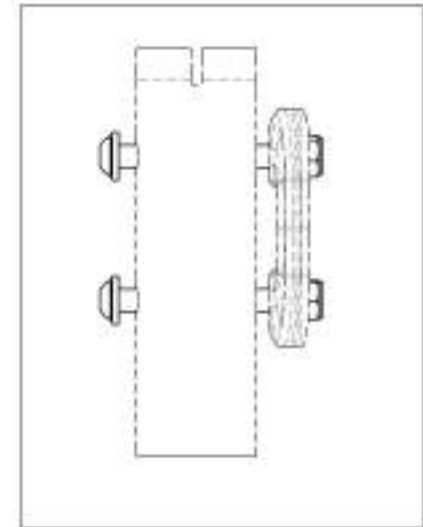
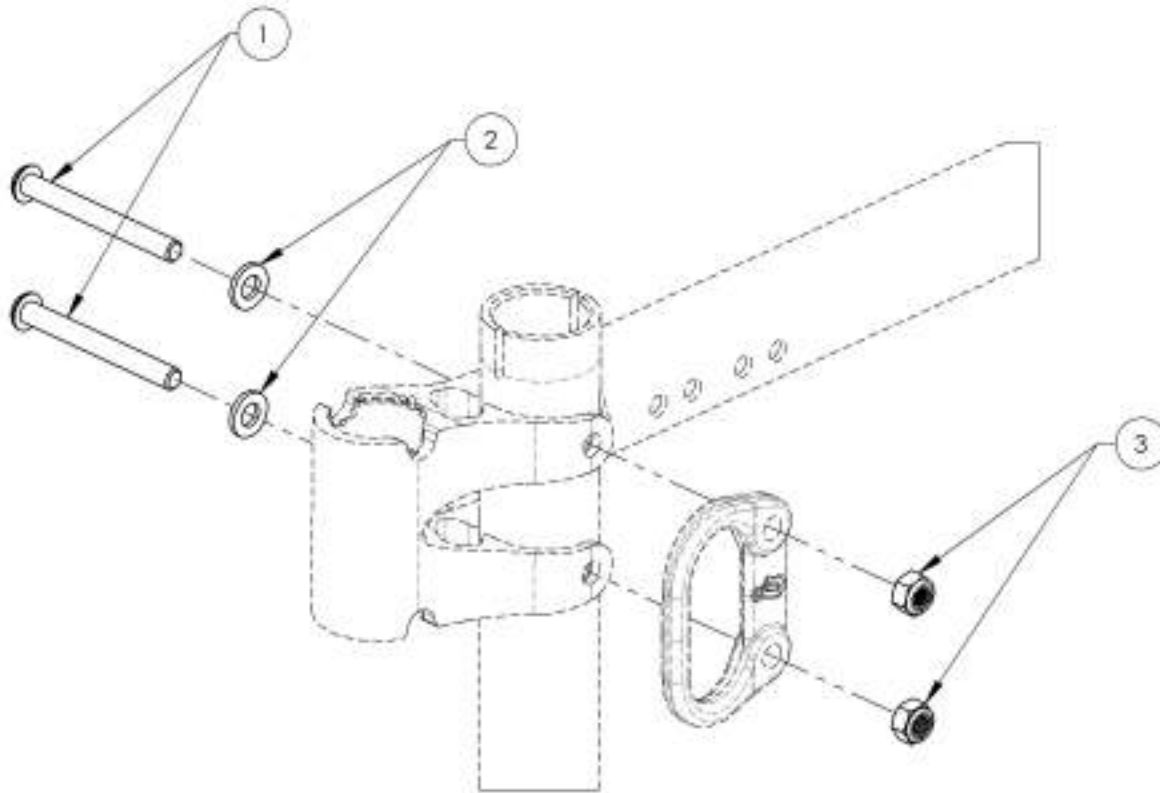
ITEM NO.	PARTNO	DESCRIPTION	QTY.
1	9007624	Hardware - For Swing Away Armrest, With Tie Down	1
2	9007625	Hardware - For Swing Away Armrest, Without Tie Down	1
3	9001625	Tie Down - Rear, Wheelchair Transit	1



MAKE SURE TO HAVE YOUR SERIAL NUMBER  
 NEARBY WHEN ORDERING PARTS FOR YOUR  
 MOTION COMPOSITES WHEELCHAIR

**9007624**  
**Hardware - For Swing Away Armrest, With Tie Down**

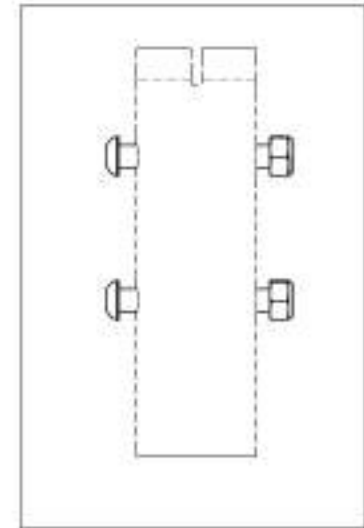
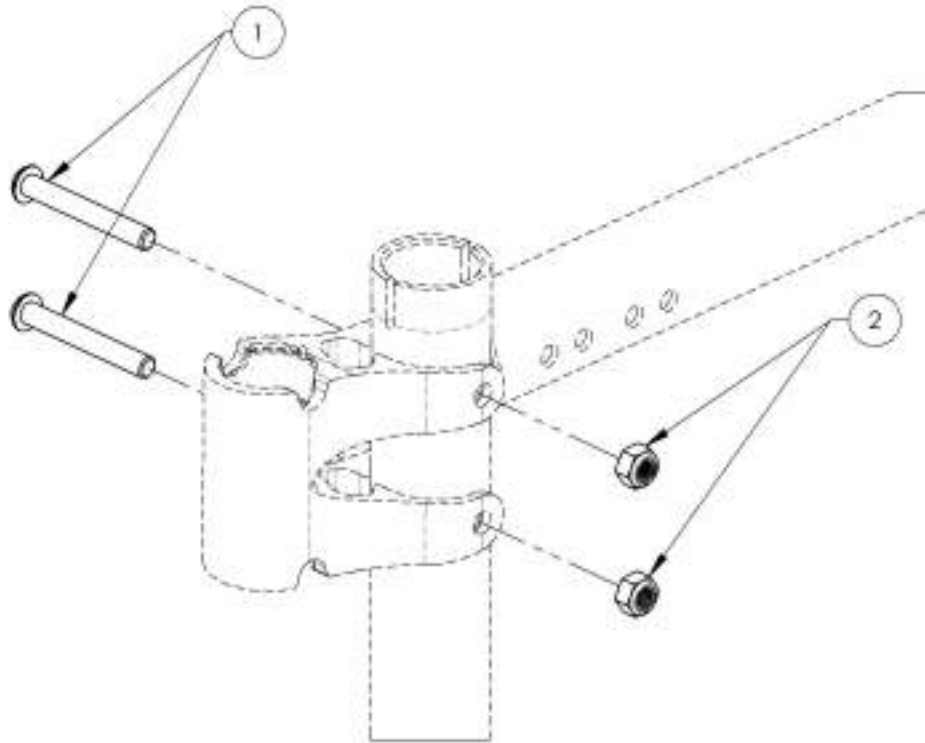
ITEM NO.	PARTNO	DESCRIPTION	9007624 /QTY.
1	90669	BUTTON HEAD CAP SCREW M6X1 X 50mm LONG, 24mm THREADED + BLUE THREADLOCKER - BLACK ZINC	2
2	99562	WASHER 1/4 17/64 ID X 5/8 OD X .062 THK.	2
3	99512	M6 LOW NYLON LOCK	2



MAKE SURE TO HAVE YOUR SERIAL NUMBER  
 NEARBY WHEN ORDERING PARTS FOR YOUR  
 MOTION COMPOSITES WHEELCHAIR

**9007625**  
**Hardware - For Swing Away Armrest, Without Tie Down**

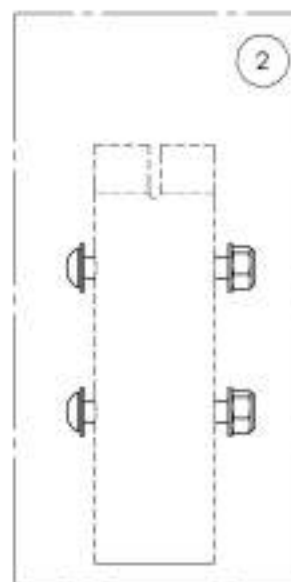
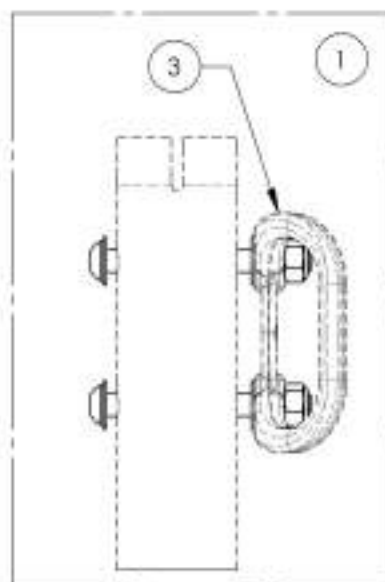
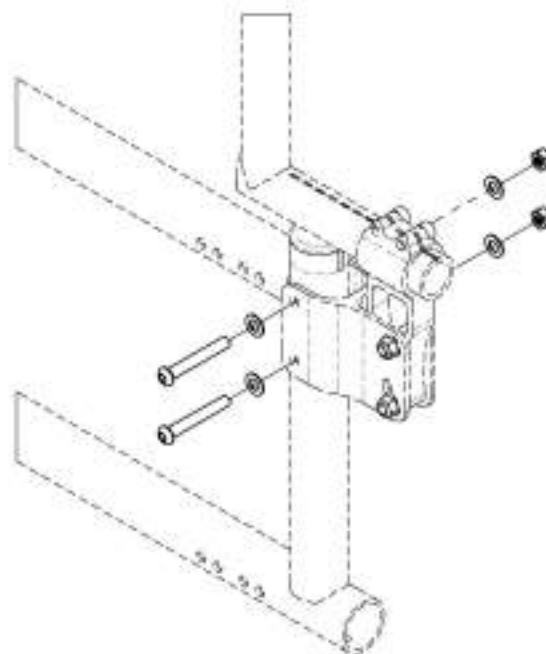
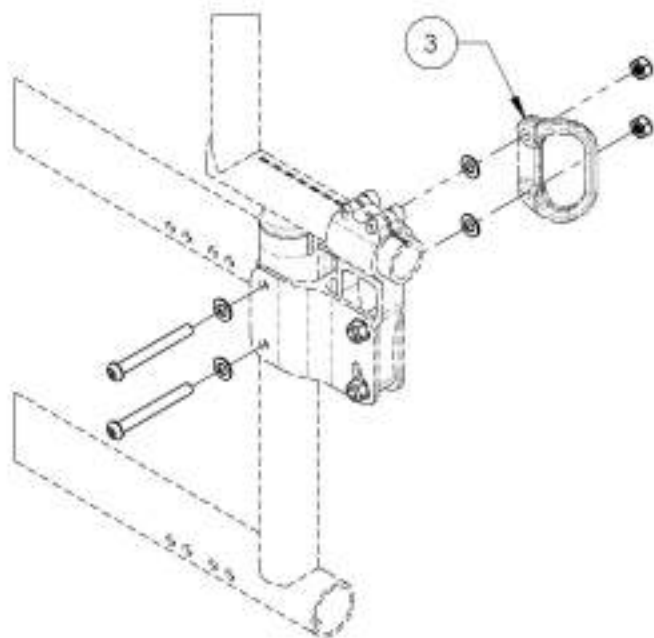
ITEM NO.	PARTNO	DESCRIPTION	9007625 QTY.
1	90667	BUTTON HEAD CAP SCREW M6X1 X 45mm LONG, 24mm THREADED + BLUE THREADLOCKER - BLACK ZINC	2
2	99512	M6 LOW NYLON LOCK	2



MAKE SURE TO HAVE YOUR SERIAL NUMBER NEARBY WHEN ORDERING PARTS FOR YOUR MOTION COMPOSITES WHEELCHAIR

**Backrests Catalogue**  
**Back Cane Hardware (Depth Adj. Back Cane)**

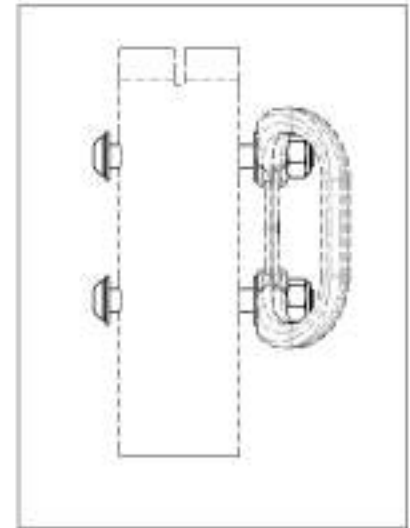
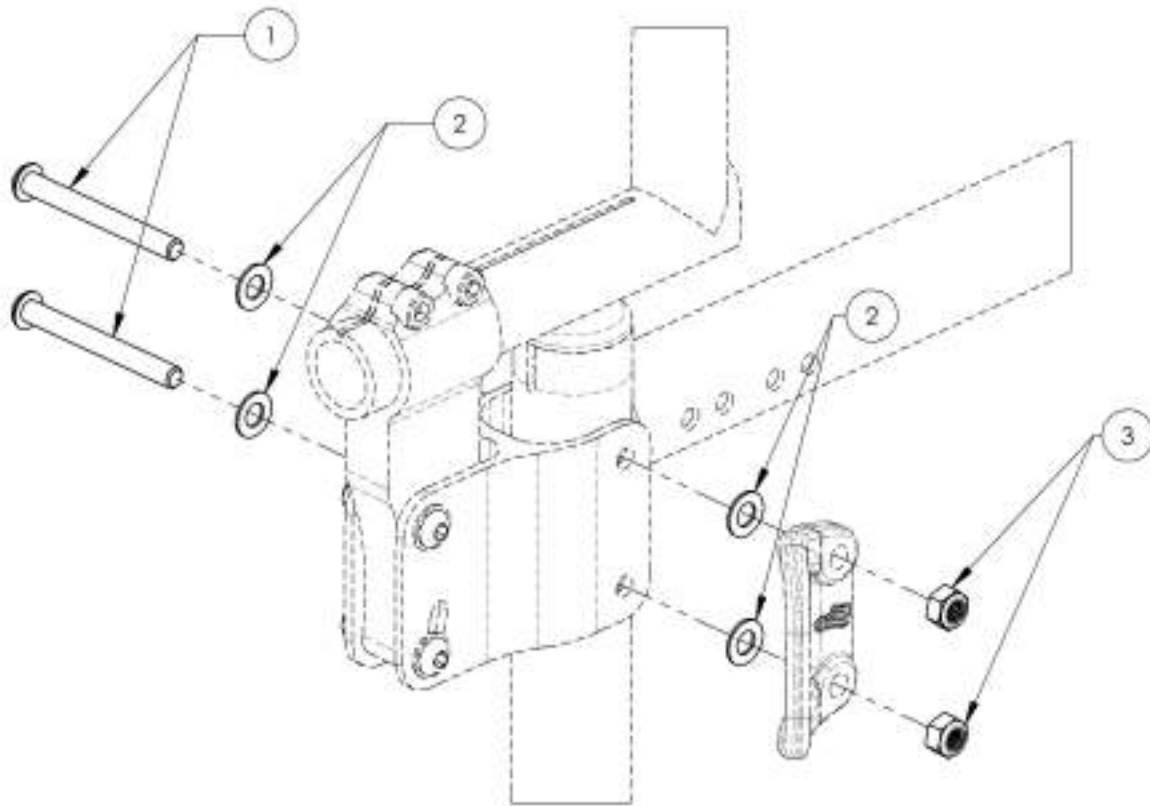
ITEM NO.	PARTNO	DESCRIPTION	QTY.
1	9007626	Hardware - For Depth Adjustable Back Cane, With Tie Down	1
2	9007627	Hardware - For Depth Adjustable Back Cane, Without Tie Down	1
3	9007626	Tie Down - Rear, Wheelchair Transit, Angled	1



MAKE SURE TO HAVE YOUR SERIAL NUMBER  
 NEARBY WHEN ORDERING PARTS FOR YOUR  
 MOTION COMPOSITES WHEELCHAIR

**9007626****Hardware - For Depth Adjustable Back Cane, With Tie Down**

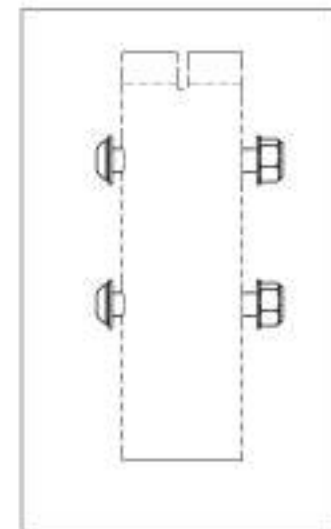
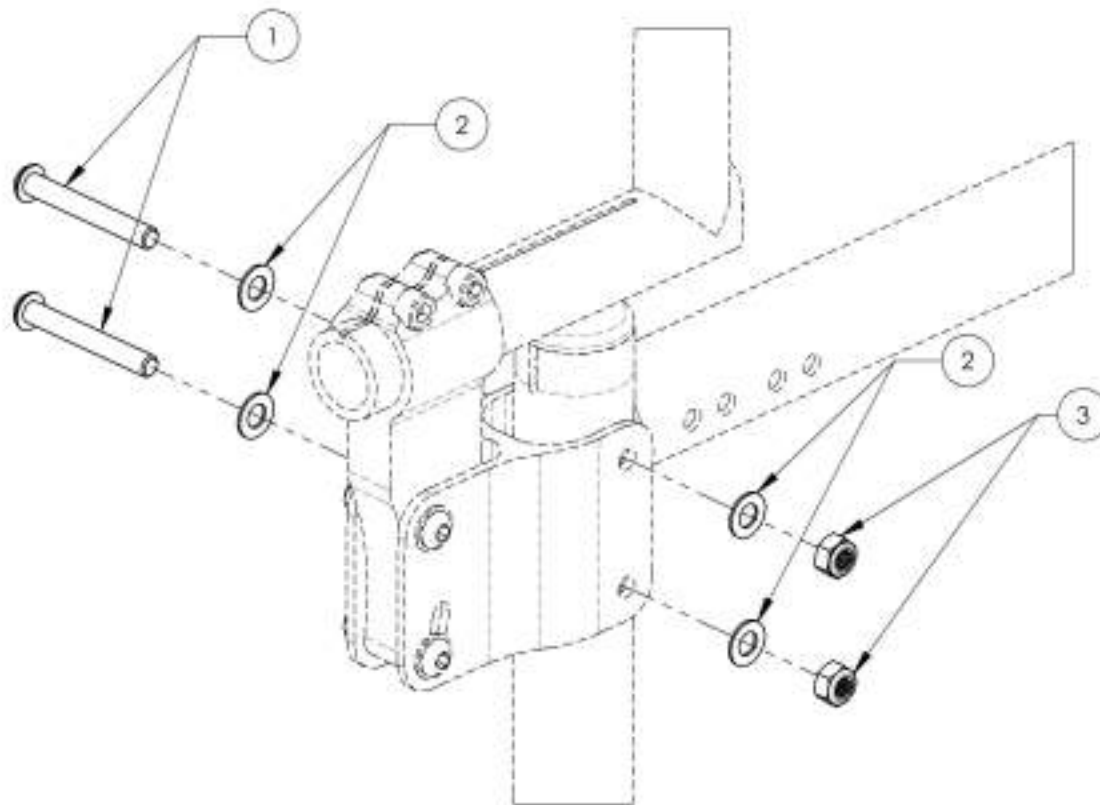
ITEM NO.	PARTNO	DESCRIPTION	9007626 /QTY.
1	90669	BUTTON HEAD CAP SCREW M6X1 X 55mm LONG, 24mm THREADED + BLUE THREADLOCKER - BLACK ZINC	2
2	99560	WASHER 1/4 17/64 ID X 1/2 OD X .032 THK	4
3	99512	M6 LOW NYLON LOCK	2



MAKE SURE TO HAVE YOUR SERIAL NUMBER  
NEARBY WHEN ORDERING PARTS FOR YOUR  
MOTION COMPOSITES WHEELCHAIR

**9007627**  
**Hardware - For Depth Adjustable Back Cane, Without Tie Down**

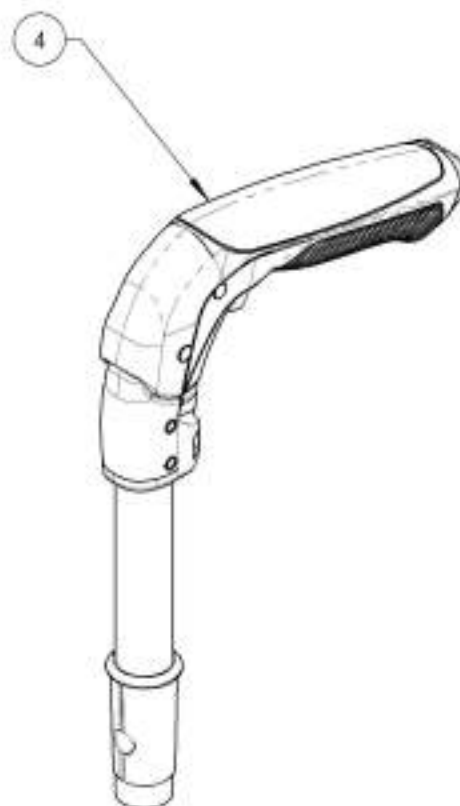
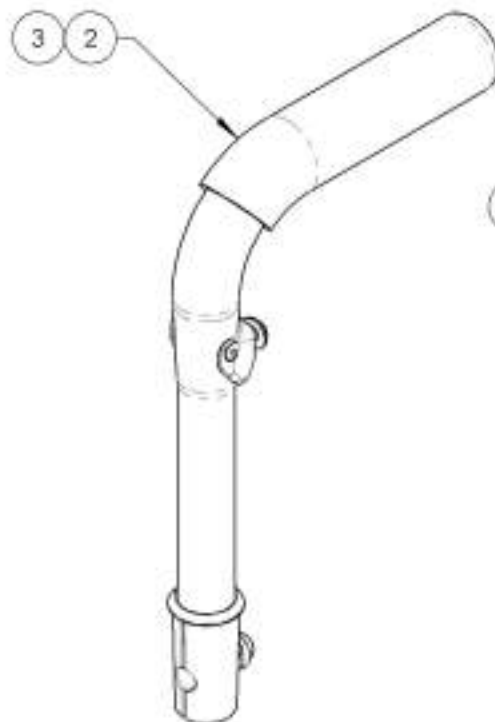
ITEM NO.	PARTNO	DESCRIPTION	9007627 QTY.
1	90667	BUTTON HEAD CAP SCREW M6X1 X 45mm LONG, 24mm THREADED + BLUE THREADLOCKER - BLACK ZINC	2
2	99560	WASHER 1/4 17/64 ID X 1/2 OD X .032 THK	4
3	99512	M6 LOW NYLON LOCK	2



MAKE SURE TO HAVE YOUR SERIAL NUMBER  
 NEARBY WHEN ORDERING PARTS FOR YOUR  
 MOTION COMPOSITES WHEELCHAIR

**Backrest Catalogue**  
**Push Handles & Straight Extension**

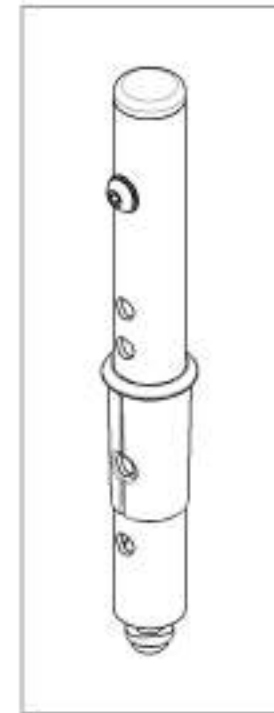
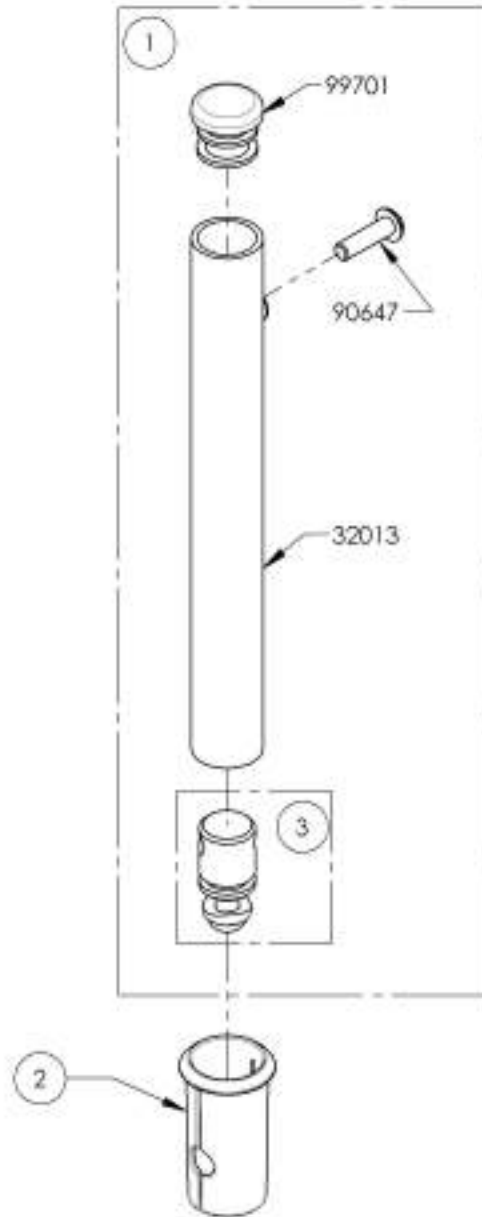
ITEM NO.	PARTNO	DESCRIPTION	QTY
1	9001286	Without Push Handle - Straight Extension	1
2	9001285	Push Handle - Adjustable	1
3	9002915	HD Push Handle - Adjustable	1
4	9000095	Push Handle - Fold Down, Adjustable	1



MAKE SURE TO HAVE YOUR SERIAL NUMBER  
NEARBY WHEN ORDERING PARTS FOR YOUR  
MOTION COMPOSITES WHEELCHAIR

**9001286**  
**Without Push Handle - Straight Extension**

ITEM NO.	PARTNO	DESCRIPTION	9001286 /QTY.	REPLACEMENT PART/QTY.
1	32006	BACK EXTENSION - ASSEMBLY (M)	1	-
2	32017	PUSH HANDLE BACK SLEEVE	1	-
3	32014	DOWEL NUT PUSH HANDLE - ASSEMBLY (M)	-	1

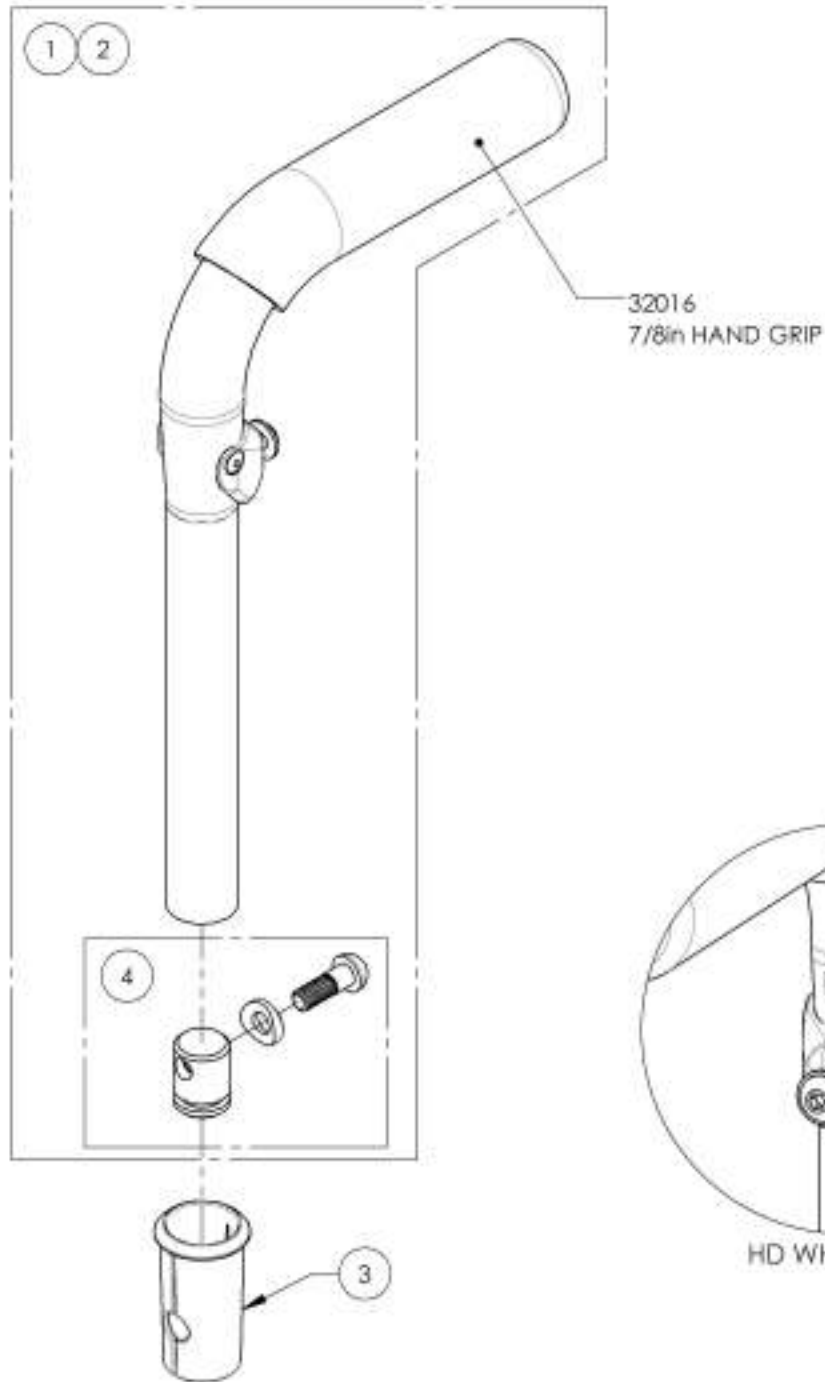


MAKE SURE TO HAVE YOUR SERIAL NUMBER  
 NEARBY WHEN ORDERING PARTS FOR YOUR  
 MOTION COMPOSITES WHEELCHAIR

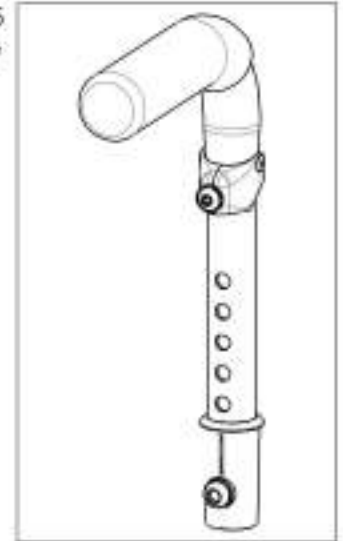


**9001285 & 9002915  
Standard & HD Push Handle - Adjustable**

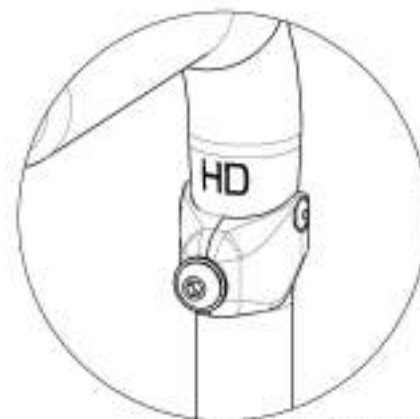
ITEM NO.	PART NO	DESCRIPTION	9001285 /QTY.	9002915 /QTY.	REPLACEMENT PARTS/QTY.
1	32507	7_8" PUSH HANDLE - ASSEMBLY (M)	1	-	-
2	32533	7_8in HD PUSH HANDLE - ASSEMBLY	-	1	-
3	32017	PUSH HANDLE BACK SLEEVE	1	1	-
4	32514	DOWEL NUT PUSH HANDLE - ASSEMBLY (M)	-	-	1



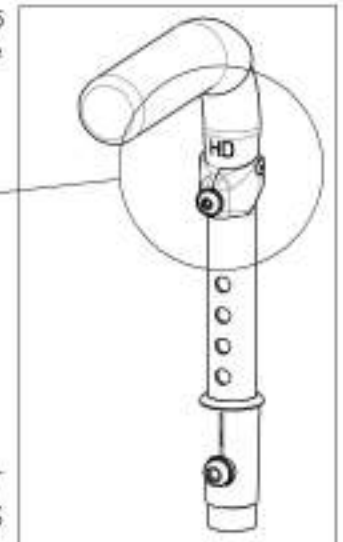
9001285  
Push Handle - Adjustable



9002915  
HD Push Handle - Adjustable



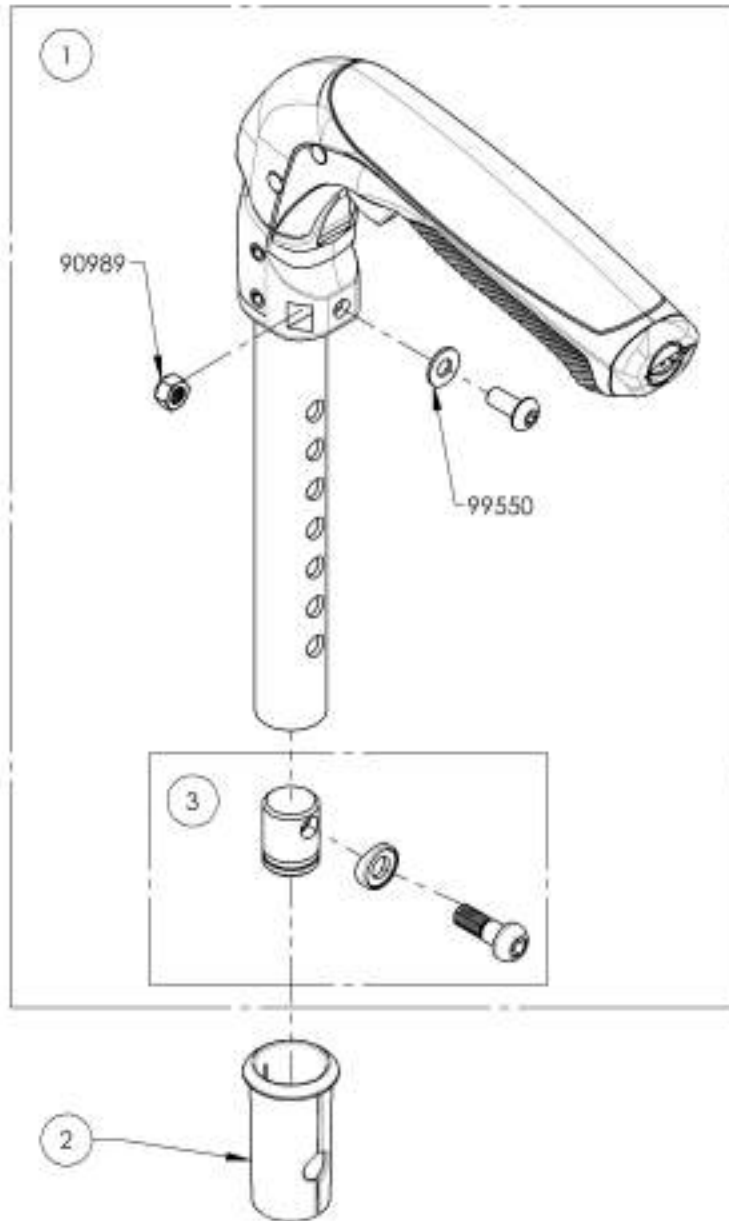
HD WHEELCHAIRS AND STROLLER HANDLE USERS MUST USE THE HD VERSION OF THE PUSH HANDLES



MAKE SURE TO HAVE YOUR SERIAL NUMBER NEARBY WHEN ORDERING PARTS FOR YOUR MOTION COMPOSITES WHEELCHAIR

**9003095**  
**Push Handle - Fold Down, Adjustable**

ITEM NO.	PARTNO	DESCRIPTION	9003095 /QTY.	REPLACEMENT PARTS/QTY.
1	32542	FOLD DOWN PUSH HANDLE - ASSEMBLY	1	-
2	32017	PUSH HANDLE BACK SLEEVE	1	-
3	32514	DOWEL NUT PUSH HANDLE - ASSEMBLY (M)	-	1



9003095  
 Push Handle - Fold Down, Adjustable

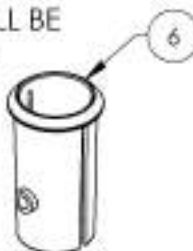


MAKE SURE TO HAVE YOUR SERIAL NUMBER  
 NEARBY WHEN ORDERING PARTS FOR YOUR  
 MOTION COMPOSITES WHEELCHAIR

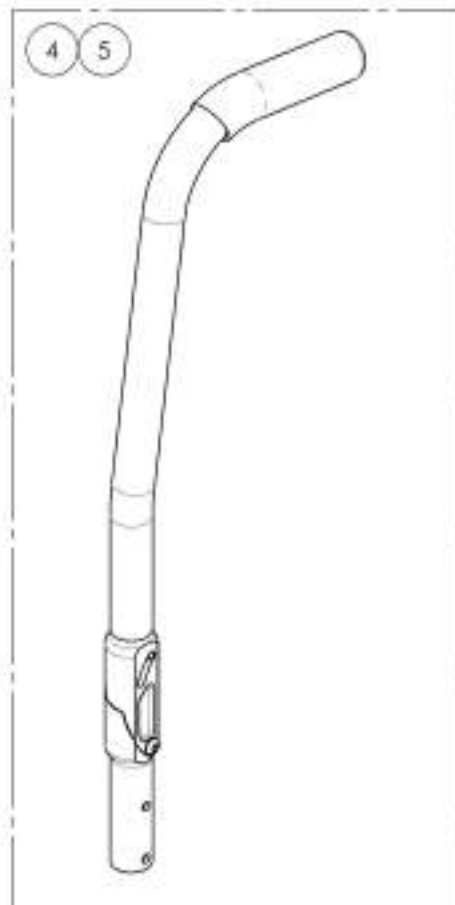
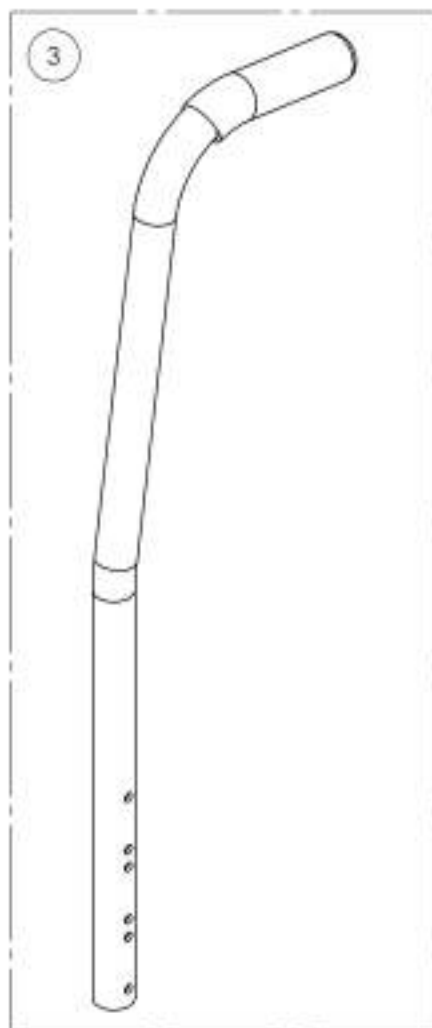
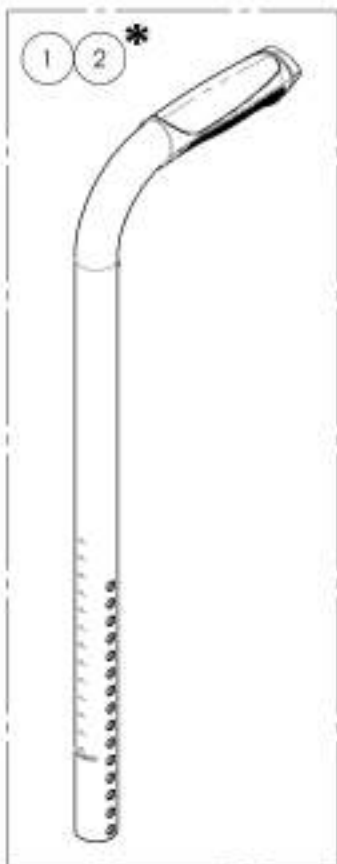
**Backrests Catalogue**  
**Integrated Push Handle Back Canes**

**\*NOTE: USE SLEEVE #9001003 IF ANY OF THESE OPTIONS WILL BE INSTALLED WITH ALUMINUM STRAIGHT BACK CANES WITH INTEGRATED PUSH HANDLE (#9003298 OR #9003299)**

1. STROLLER HANDLE (#9001605 TO #9001613)
2. NEWTON STABILIZER BAR (#9001594 TO #9001604)



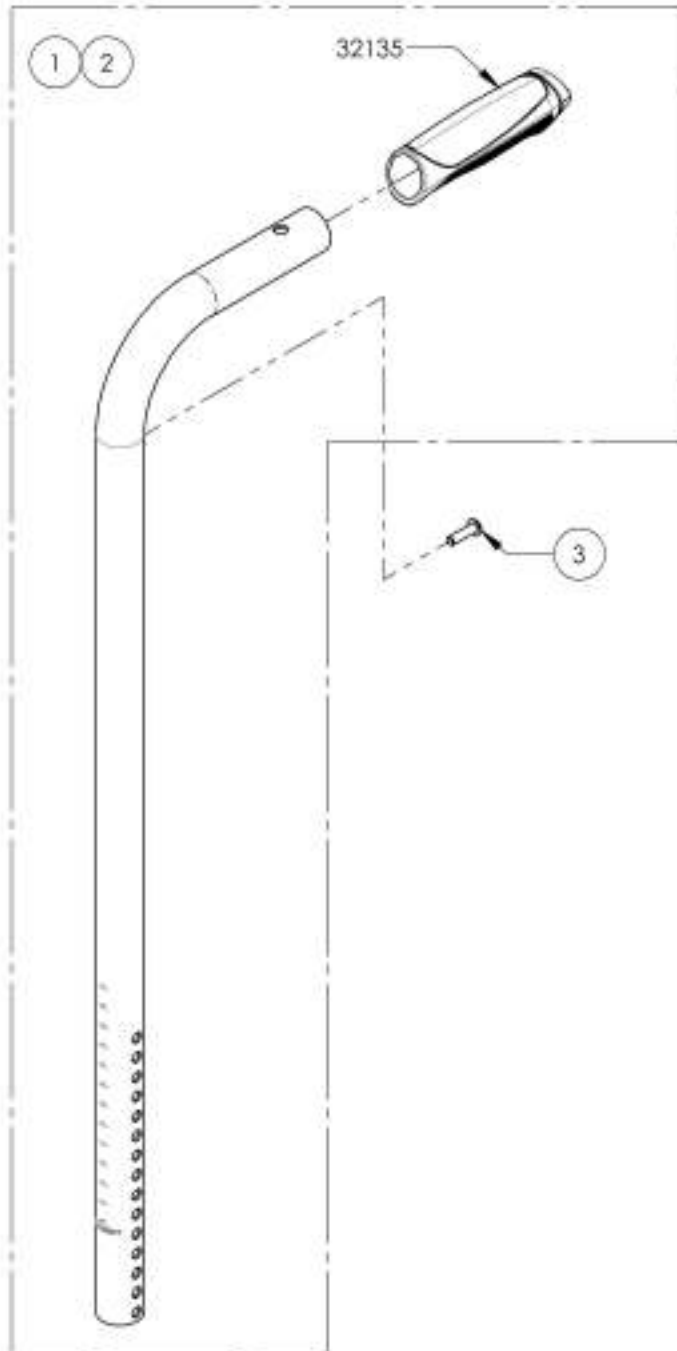
ITEM NO.	PARTNO	DESCRIPTION	QTY
1	9003298	Back Cane - Aluminium, Straight + Integrated Push Handle, 9-15 in	1
2	9003299	Back Cane - Aluminium, Straight + Integrated Push Handle, 15-21 in	1
3	9001275	Back Cane - Aluminium, 8° bend + Integrated Push Handle, 16, 18 or 20 in	1
4	9001276	Back Cane - Aluminium, Angle Adjustable, 8° bend + Integrated Push Handle, 16 in	1
5	9001277	Back Cane - Aluminium, Angle Adjustable, 8° bend + Integrated Push Handle, 20 in	1
6	9001003	Back Cane - Sleeve for Integrated Push Handle	1



MAKE SURE TO HAVE YOUR SERIAL NUMBER NEARBY WHEN ORDERING PARTS FOR YOUR MOTION COMPOSITES WHEELCHAIR

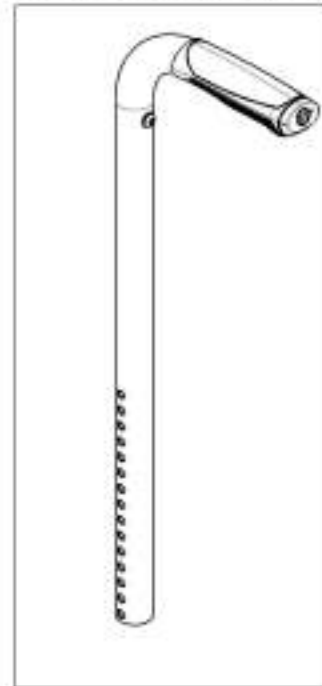
9003298\_9003299

**Back Cane - Aluminium, Straight + Integrated Push Handle**

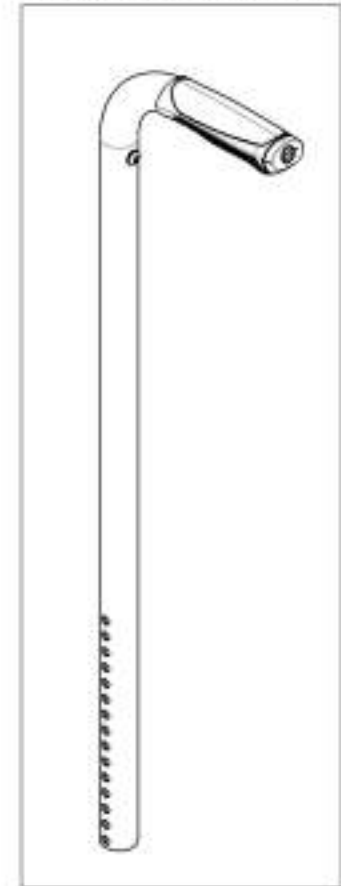


ITEM NO.	PARTNO	DESCRIPTION	9003298 /QTY.	9003299 /QTY.
1	32539	ALL STRAIGHT BACK CANE 9-15in WITH FIXED PUSH HANDLE - ASSY	1	-
2	32540	ALL STRAIGHT BACK CANE 15-21in WITH FIXED PUSH HANDLE - ASSY	-	1
3	90647	BUTTON HEAD CAP SCREW M6X0.8 X 18mm LONG, FULLY THREADED + BLUE THREADLOCKER - BLACK ZINC	1	1

9003298  
Back Cane - Aluminium, Straight +  
Integrated Push Handle, 9-15 in



9003299  
Back Cane - Aluminium, Straight +  
Integrated Push Handle, 15-21 in

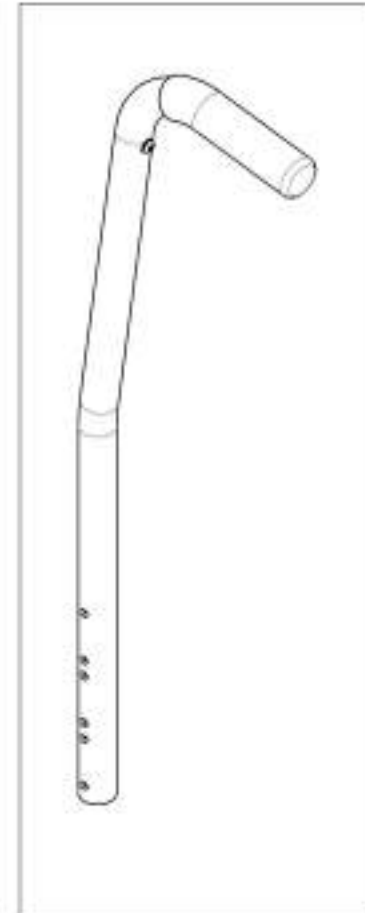
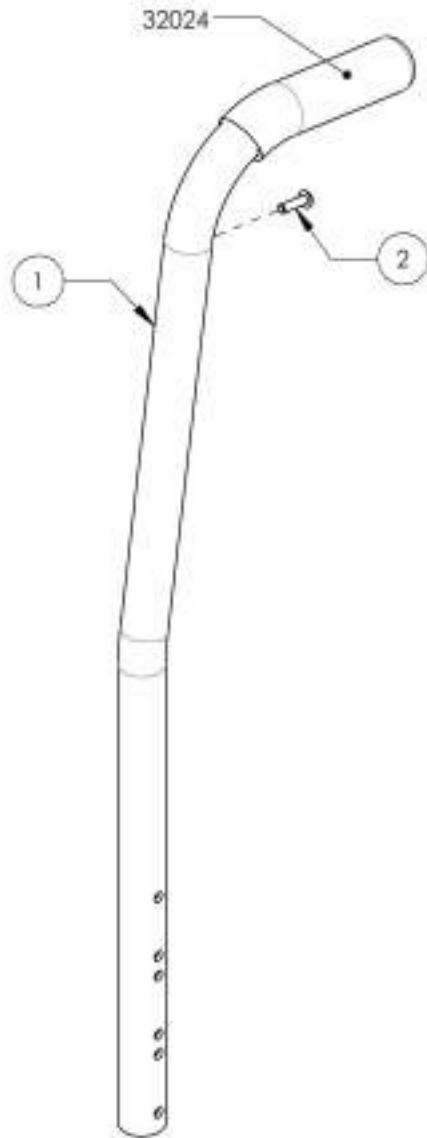


MAKE SURE TO HAVE YOUR SERIAL NUMBER  
NEARBY WHEN ORDERING PARTS FOR YOUR  
MOTION COMPOSITES WHEELCHAIR

9001275

**Back Cane - Aluminium, 8° bend + Integrated Push Handle, 16, 18 or 20 in**

ITEM NO.	PARTNO	DESCRIPTION	9001275 /QTY.
1	32500	ALU 8 DEG BACK CANE 16, 18 OR 20 in WITH FIXED PUSH HANDLE - ASSEMBLY (M)	1
2	90647	BUTTON HEAD CAP SCREW M3X0.8 X 18mm LONG, FULLY THREADED + BLUE THREADLOCKER - BLACK ZINC	1

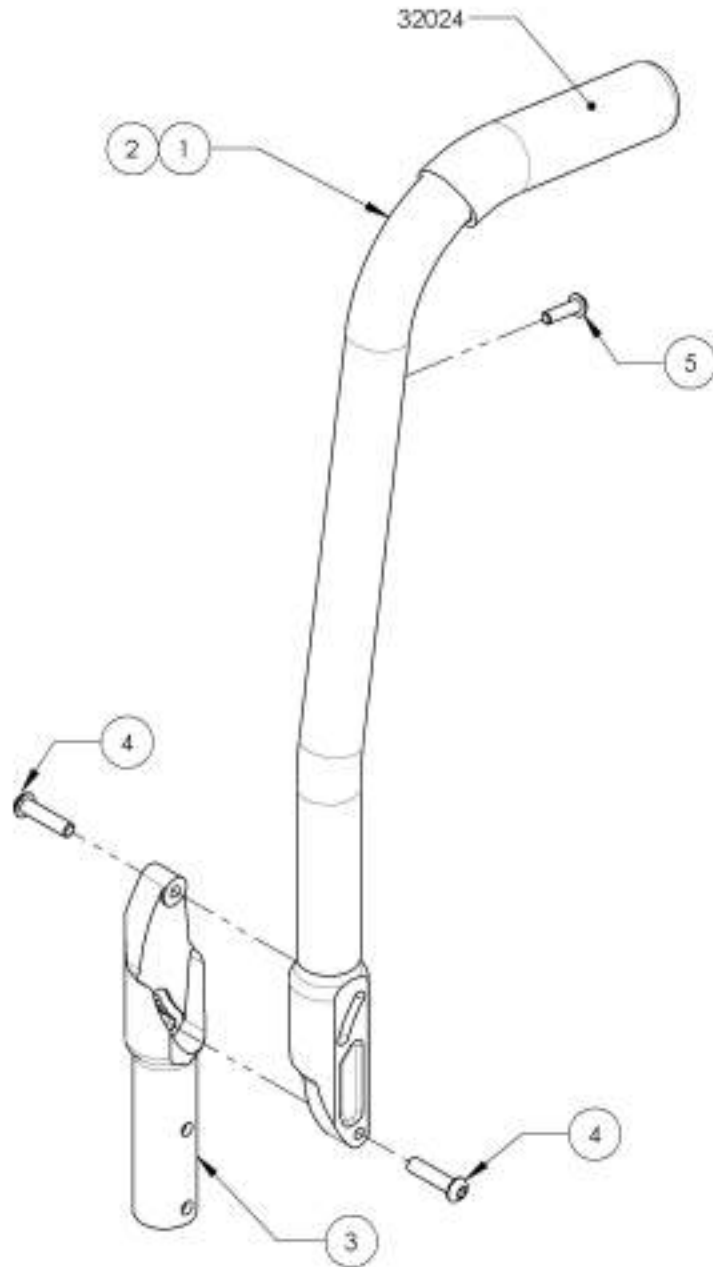


MAKE SURE TO HAVE YOUR SERIAL NUMBER NEARBY WHEN ORDERING PARTS FOR YOUR MOTION COMPOSITES WHEELCHAIR

9001276\_9001277

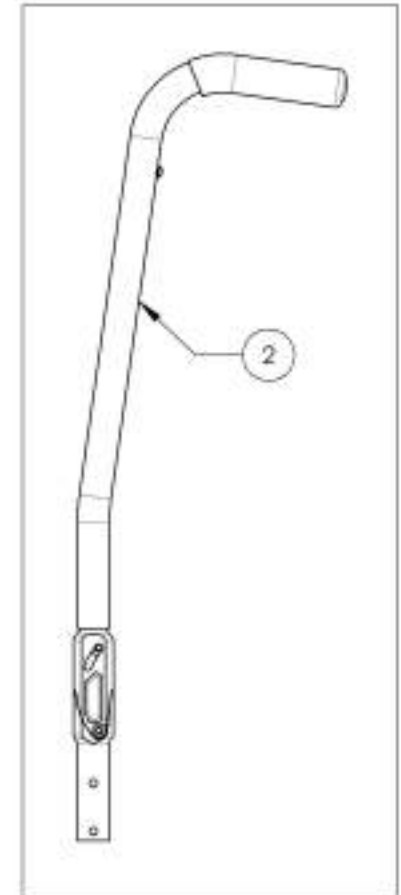
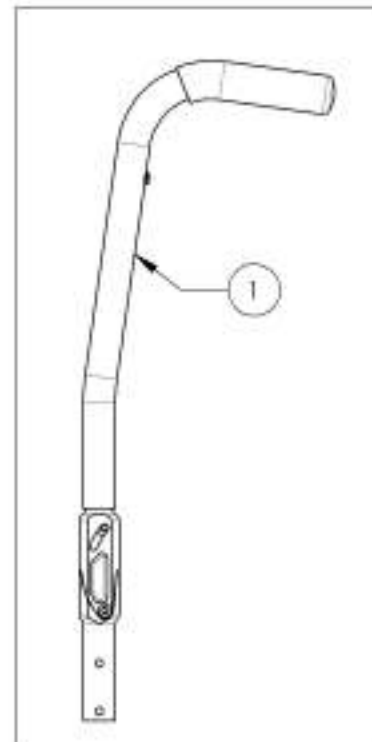
**Back Cane - Aluminum, Angle adjustable, 8° bend + Integrated Push Handle**

ITEM NO.	PARTNO	DESCRIPTION	9001276 /QTY.	9001277 /QTY.
1	32501	ALUMINUM ADJUSTABLE ANGLE BACK 16" W_ FIXED PUSH HANDLE - ASSEMBLY (M)	1	-
2	32502	ALUMINUM ADJUSTABLE ANGLE BACK 20" W_ FIXED PUSH HANDLE - ASSEMBLY (M)	-	1
3	32037	LOWER ADJUSTABLE BACKREST (M)	1	1
4	90663	BUTTON HEAD CAP SCREW M6X1 X 25mm LONG, FULLY THREADED	2	2
5	90647	BUTTON HEAD CAP SCREW M5X0.8 X 18mm LONG, FULLY THREADED + BLUE THREADLOCKER - BLACK ZINC	1	1



9001277  
Back Cane - Aluminum, Angle Adjustable, 8° bend + Integrated Push Handle, 20 in

9001276  
Back Cane - Aluminum, Angle Adjustable, 8° bend + Integrated Push Handle, 16 in



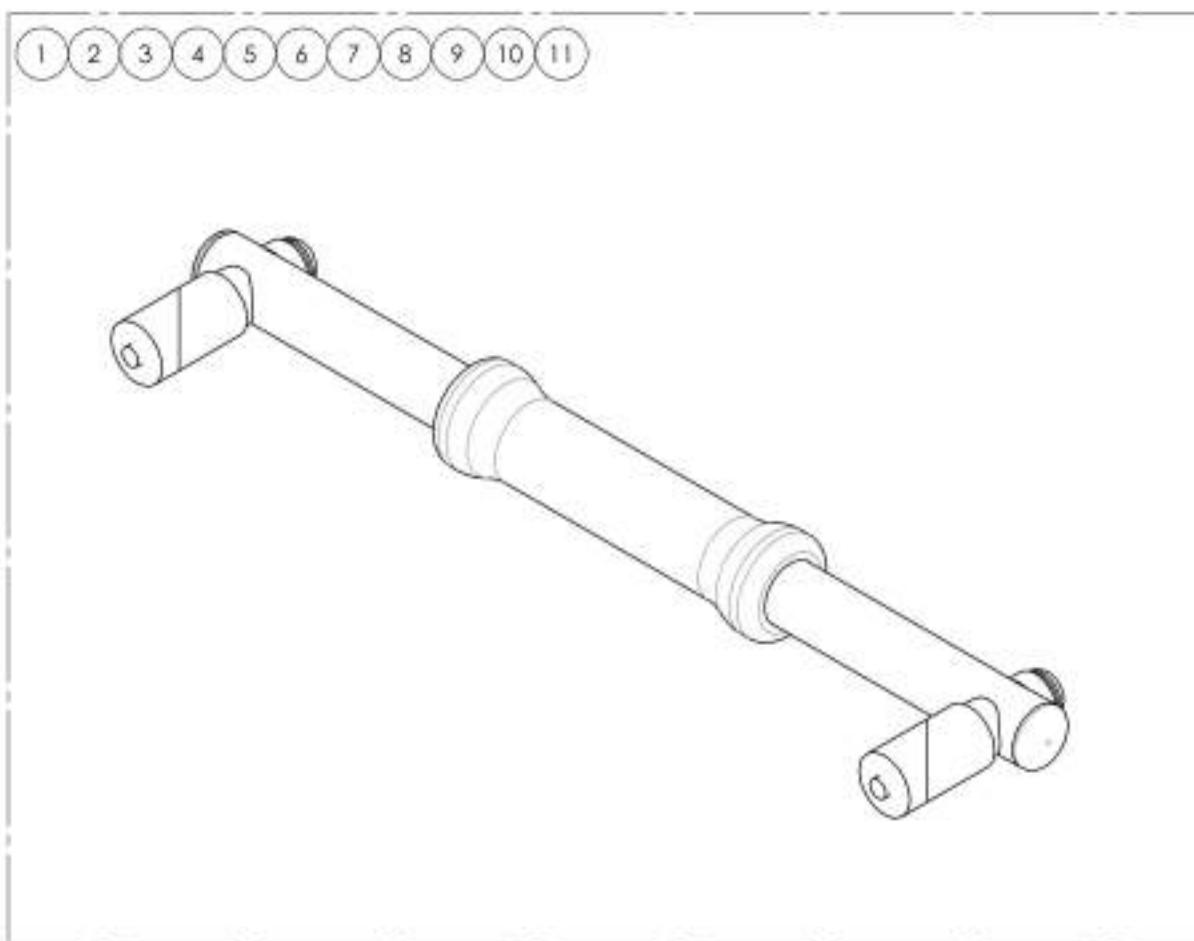
MAKE SURE TO HAVE YOUR SERIAL NUMBER NEARBY WHEN ORDERING PARTS FOR YOUR MOTION COMPOSITES WHEELCHAIR

**Backrests Catalogue**  
**Newton Folding Stabilizer Bar**

USE SLEEVE #9001003 IF THE NEWTON STABILIZER BAR (#9001594 TO #9001604) WILL BE INSTALLED WITH ALUMINUM STRAIGHT BACK CANES WITH INTEGRATED PUSH HANDLE (#9003298 OR #9003299)



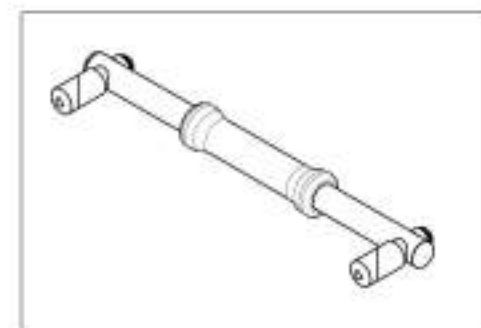
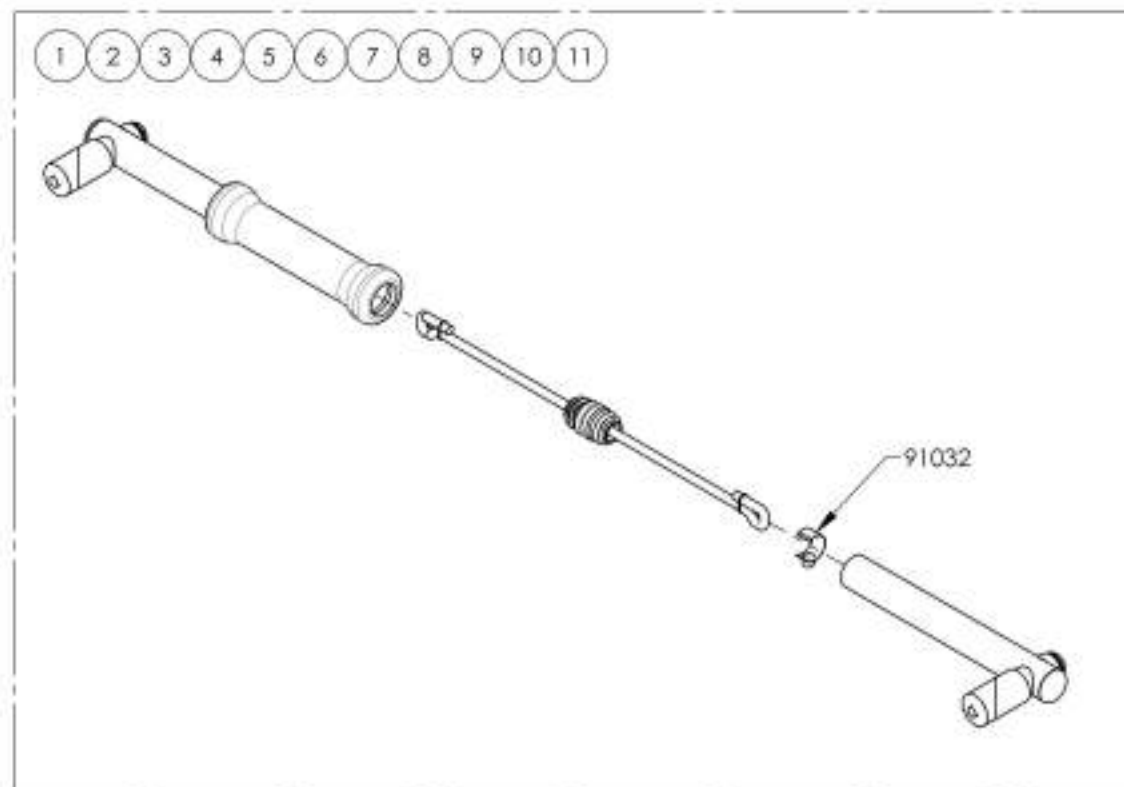
ITEM NO.	PARTNO	DESCRIPTION	QTY.
1	9001594	Newton Stabilizer Bar - Folding, 12 in	1
2	9001595	Newton Stabilizer Bar - Folding, 13 in	1
3	9001596	Newton Stabilizer Bar - Folding, 14 in	1
4	9001597	Newton Stabilizer Bar - Folding, 15 in	1
5	9001598	Newton Stabilizer Bar - Folding, 16 in	1
6	9001599	Newton Stabilizer Bar - Folding, 17 in	1
7	9001600	Newton Stabilizer Bar - Folding, 18 in	1
8	9001601	Newton Stabilizer Bar - Folding, 19 in	1
9	9001602	Newton Stabilizer Bar - Folding, 20 in	1
10	9001603	Newton Stabilizer Bar - Folding, 21 in	1
11	9001604	Newton Stabilizer Bar - Folding, 22 in	1
12	9001003	Back Cane - Sleeve for Integrated Push Handle	1



MAKE SURE TO HAVE YOUR SERIAL NUMBER NEARBY WHEN ORDERING PARTS FOR YOUR MOTION COMPOSITES WHEELCHAIR

**9001594 9001604  
Newton Stabilizer Bar - Folding**

ITEM NO.	PARTNO	DESCRIPTION	9001594 /QTY.	9001595 /QTY.	9001596 /QTY.	9001597 /QTY.	9001598 /QTY.	9001599 /QTY.	9001600 /QTY.	9001601 /QTY.	9001602 /QTY.	9001603 /QTY.	9001604 /QTY.
1	60704	NEWTON FOLDING STABILIZER BAR 12 in - ASSEMBLY	1	-	-	-	-	-	-	-	-	-	-
2	60705	NEWTON FOLDING STABILIZER BAR 13 in - ASSEMBLY	-	1	-	-	-	-	-	-	-	-	-
3	60706	NEWTON FOLDING STABILIZER BAR 14 in - ASSEMBLY	-	-	1	-	-	-	-	-	-	-	-
4	60707	NEWTON FOLDING STABILIZER BAR 15 in - ASSEMBLY	-	-	-	1	-	-	-	-	-	-	-
5	60708	NEWTON FOLDING STABILIZER BAR 16 in - ASSEMBLY	-	-	-	-	1	-	-	-	-	-	-
6	60709	NEWTON FOLDING STABILIZER BAR 17 in - ASSEMBLY	-	-	-	-	-	1	-	-	-	-	-
7	60710	NEWTON FOLDING STABILIZER BAR 18 in - ASSEMBLY	-	-	-	-	-	-	1	-	-	-	-
8	60711	NEWTON FOLDING STABILIZER BAR 19 in - ASSEMBLY	-	-	-	-	-	-	-	1	-	-	-
9	60712	NEWTON FOLDING STABILIZER BAR 20 in - ASSEMBLY	-	-	-	-	-	-	-	-	1	-	-
10	60713	NEWTON FOLDING STABILIZER BAR 21 in - ASSEMBLY	-	-	-	-	-	-	-	-	-	1	-
11	60714	NEWTON FOLDING STABILIZER BAR 22 in - ASSEMBLY	-	-	-	-	-	-	-	-	-	-	1



MAKE SURE TO HAVE YOUR SERIAL NUMBER  
NEARBY WHEN ORDERING PARTS FOR YOUR  
MOTION COMPOSITES WHEELCHAIR



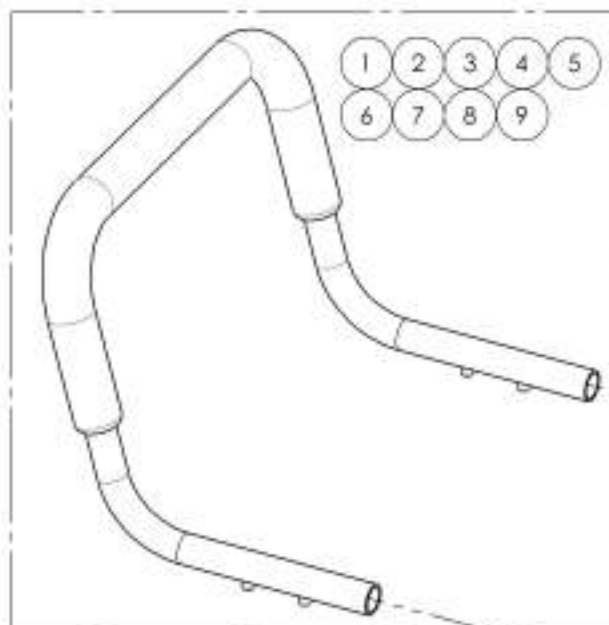
### Important WARNING when using the Stroller Handle



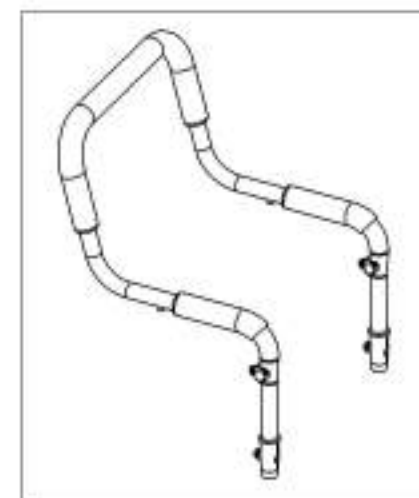
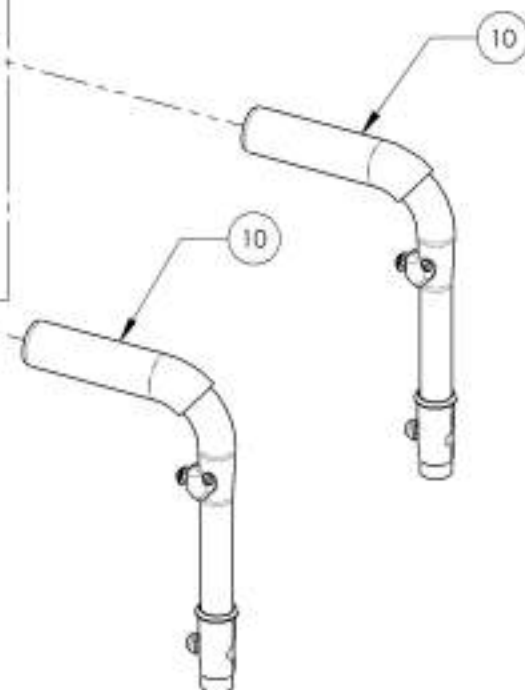
The Stroller Handle is not designed to lift or pull the weight of user in the wheelchair. It's designed to push and guide the wheelchair user.

Lifting or pulling the weight of the user in the wheelchair could initiate the breakage of the push handles and cause serious injury.  
**(PLEASE REFER TO USER MANUAL)**

ITEM NO.	PARTNO	DESCRIPTION	QTY.
1	9001605	Stroller Handle - 12 in	1
2	9001606	Stroller Handle - 13 in	1
3	9001607	Stroller Handle - 14 in	1
4	9001608	Stroller Handle - 15 in	1
5	9001609	Stroller Handle - 16 in	1
6	9001610	Stroller Handle - 17 in	1
7	9001611	Stroller Handle - 18 in	1
8	9001612	Stroller Handle - 19 in	1
9	9001613	Stroller Handle - 20 in	1
10	9002915	HD Push Handle - Adjustable	2
11	9001003	Back Cane - Sleeve for Integrated Push Handle	1



USE SLEEVE #9001003 IF THE STROLLER HANDLE (#9001605 TO #9001613) WILL BE INSTALLED WITH ALUMINUM STRAIGHT BACK CANES WITH INTEGRATED PUSH HANDLE (#9003298 OR #9003299)



MAKE SURE TO HAVE YOUR SERIAL NUMBER NEARBY WHEN ORDERING PARTS FOR YOUR MOTION COMPOSITES WHEELCHAIR

**9001605 9001613  
Stroller Handles**

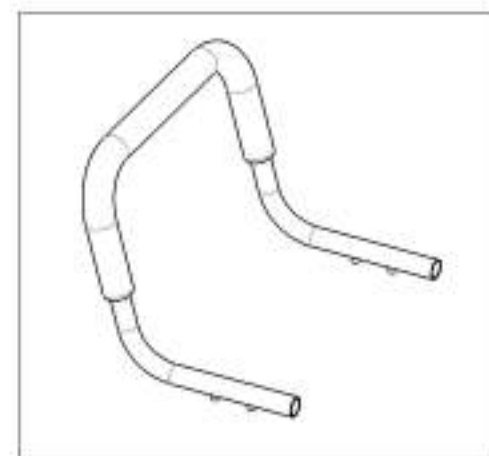
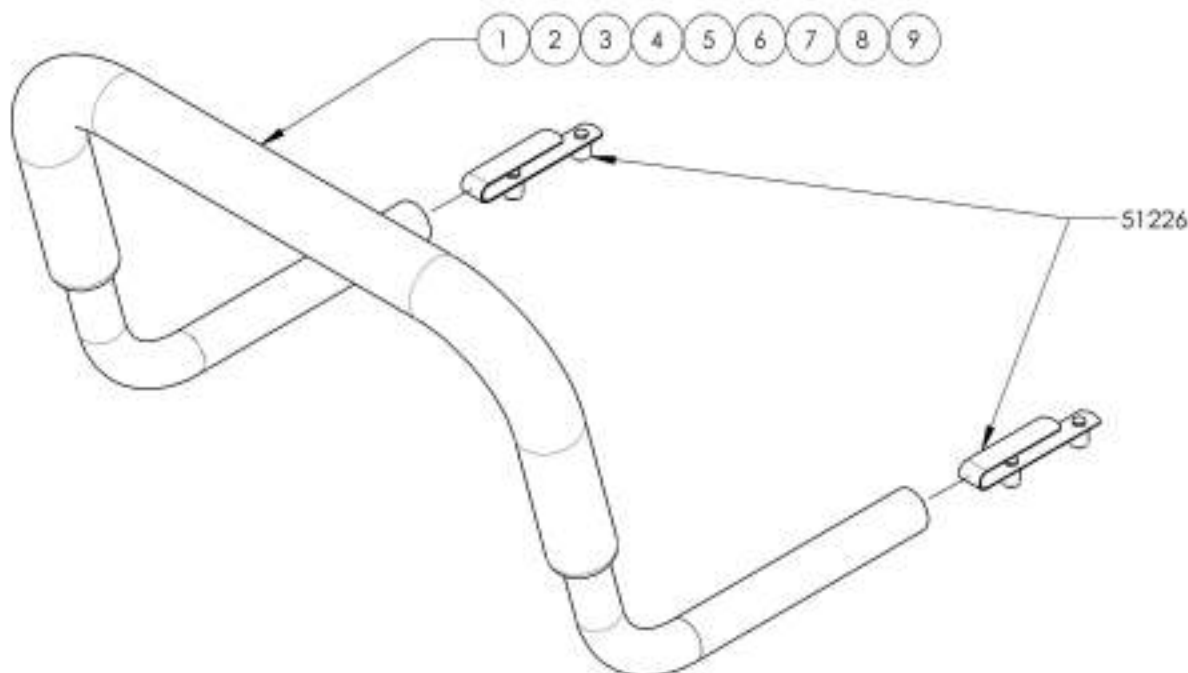
ITEM NO.	PARTNO	DESCRIPTION	9001605 /QTY.	9001606 /QTY.	9001607 /QTY.	9001608 /QTY.	9001609 /QTY.	9001610 /QTY.	9001611 /QTY.	9001612 /QTY.	9001613 /QTY.
1	51525	12in STROLLER HANDLE - ASSEMBLY	1	-	-	-	-	-	-	-	-
2	51526	13in STROLLER HANDLE - ASSEMBLY	-	1	-	-	-	-	-	-	-
3	51527	14in STROLLER HANDLE - ASSEMBLY	-	-	1	-	-	-	-	-	-
4	51528	15in STROLLER HANDLE - ASSEMBLY	-	-	-	1	-	-	-	-	-
5	51529	16in STROLLER HANDLE - ASSEMBLY	-	-	-	-	1	-	-	-	-
6	51530	17in STROLLER HANDLE - ASSEMBLY	-	-	-	-	-	1	-	-	-
7	51531	18in STROLLER HANDLE - ASSEMBLY	-	-	-	-	-	-	1	-	-
8	51532	19in STROLLER HANDLE - ASSEMBLY	-	-	-	-	-	-	-	1	-
9	51533	20in STROLLER HANDLE - ASSEMBLY	-	-	-	-	-	-	-	-	1

### Important WARNING when using the Stroller Handle



The Stroller Handle is not designed to lift or pull the weight of user in the wheelchair. It's designed to push and guide the wheelchair user.

Lifting or pulling the weight of the user in the wheelchair could initiate the breakage of the push handles and cause serious injury.  
**(PLEASE REFER TO USER MANUAL)**

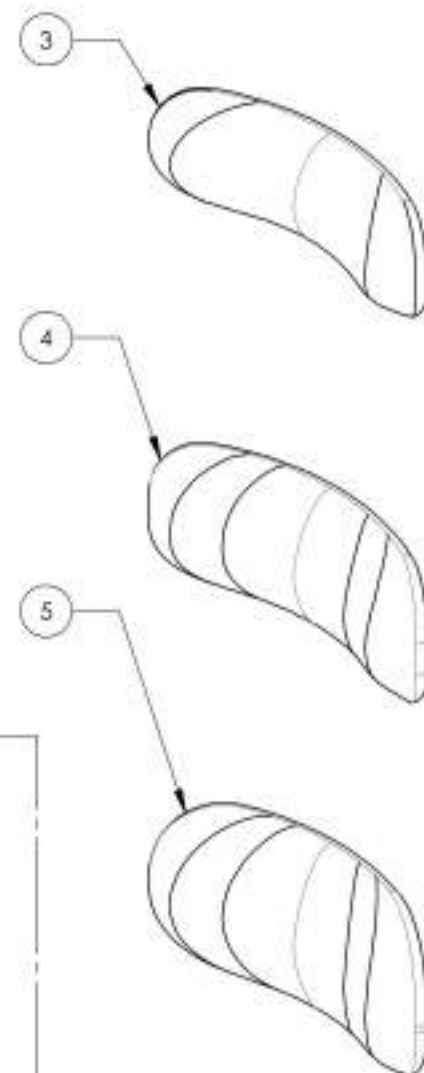
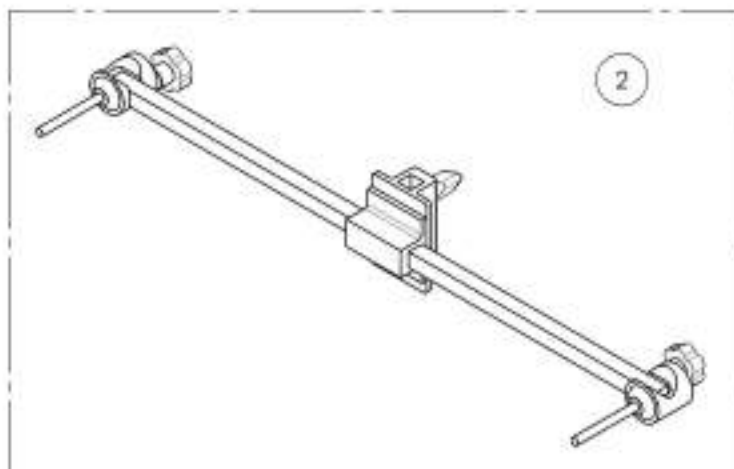
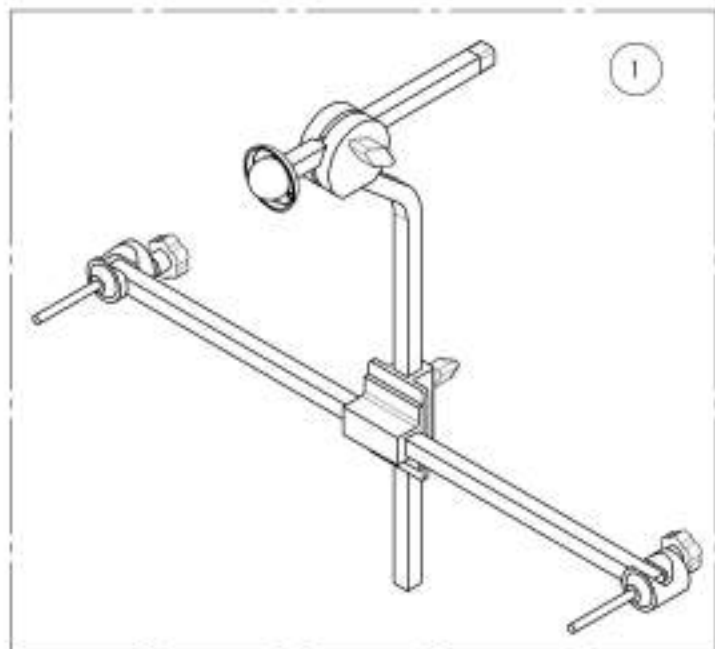


MAKE SURE TO HAVE YOUR SERIAL NUMBER NEARBY WHEN ORDERING PARTS FOR YOUR MOTION COMPOSITES WHEELCHAIR

**Backrest Catalogue  
Head Rests**

**\*HD Push Handles or Integrated Push Handles are required to install Stabilizer Bar (#9001592 & #9001593)  
Please refer to Push Handles for Head Rests Catalogue.**

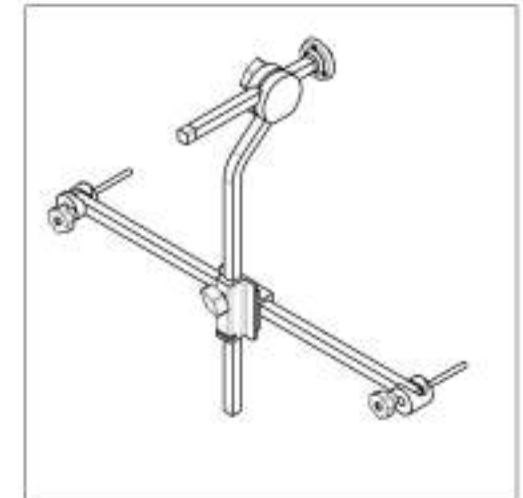
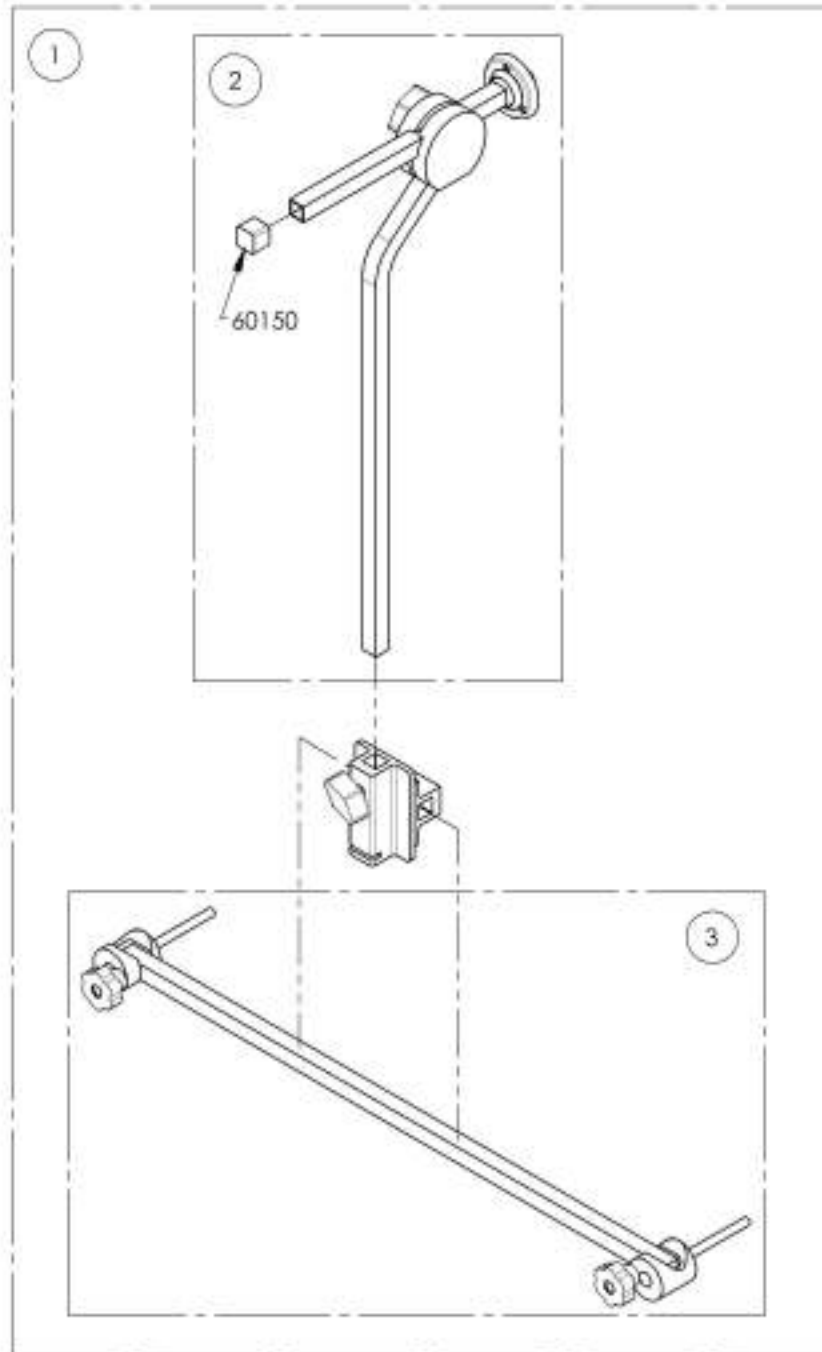
ITEM NO.	PARTNO	DESCRIPTION	QTY.
1	9001592	Stabilizer Bar - Non-Folding, With Anchor Plate & Swivel Mount Kit	1
2	9001593	Stabilizer Bar - Non-Folding, With Anchor Plate Kit	1
3	9001589	Head Rest Pad - Small	1
4	9001590	Head Rest Pad - Medium	1
5	9001591	Head Rest Pad - Large	1



MAKE SURE TO HAVE YOUR SERIAL NUMBER NEARBY WHEN ORDERING PARTS FOR YOUR MOTION COMPOSITES WHEELCHAIR

**9001592**  
**Stabilizer Bar - Non-Folding, With Anchor Plate & Swivel Mount Kit**

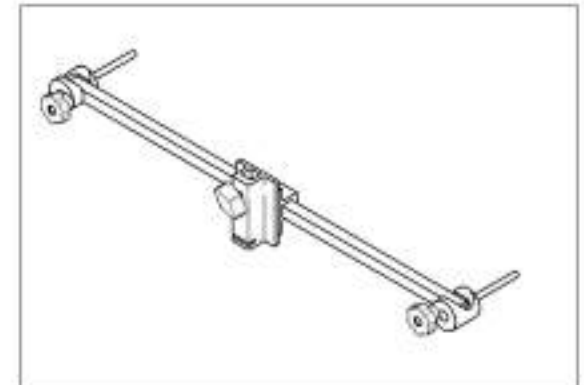
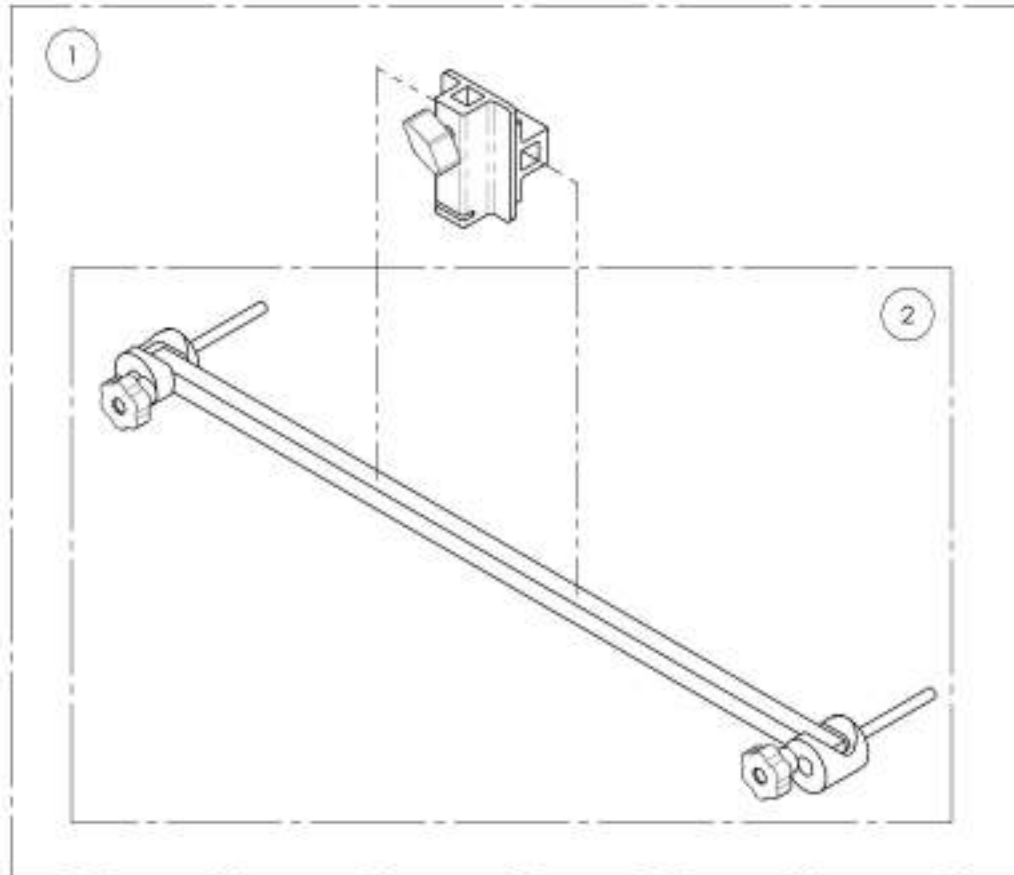
ITEM NO.	PARTNO	DESCRIPTION	9001592 /QTY.	REPLACEMENT PARTS/QTY.
1	60701	SWIVEL MOUNT/ANCHOR/STABILIZER BAR KIT	1	-
2	60106	SWIVEL MOUNT	-	1
3	60703	STABILIZER BAR	-	1



MAKE SURE TO HAVE YOUR SERIAL NUMBER  
 NEARBY WHEN ORDERING PARTS FOR YOUR  
 MOTION COMPOSITES WHEELCHAIR

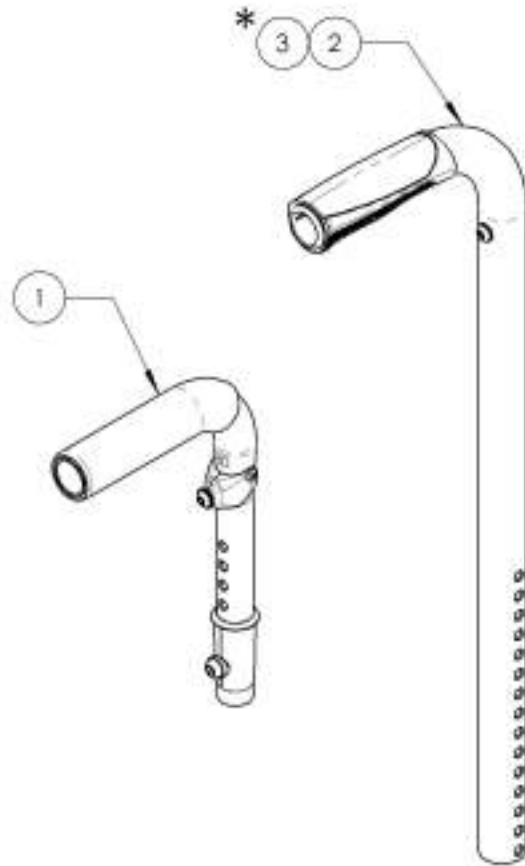
**9001593**  
**Stabilizer Bar - Non-Folding, With Anchor Plate Kit**

ITEM NO.	PARTNO	DESCRIPTION	9001593 /QTY.	REPLACEMENT PARTS/QTY.
1	60702	STABILIZER BAR + ANCHOR PLATE KIT	1	-
2	60703	STABILIZER BAR	-	1



MAKE SURE TO HAVE YOUR SERIAL NUMBER  
NEARBY WHEN ORDERING PARTS FOR YOUR  
MOTION COMPOSITES WHEELCHAIR

**Backrest Catalogue**  
**Push Handles for Head Rests**



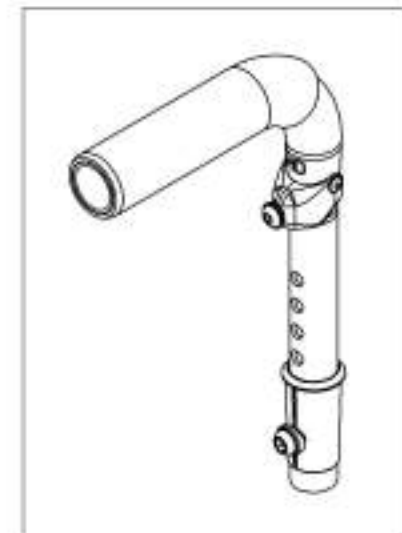
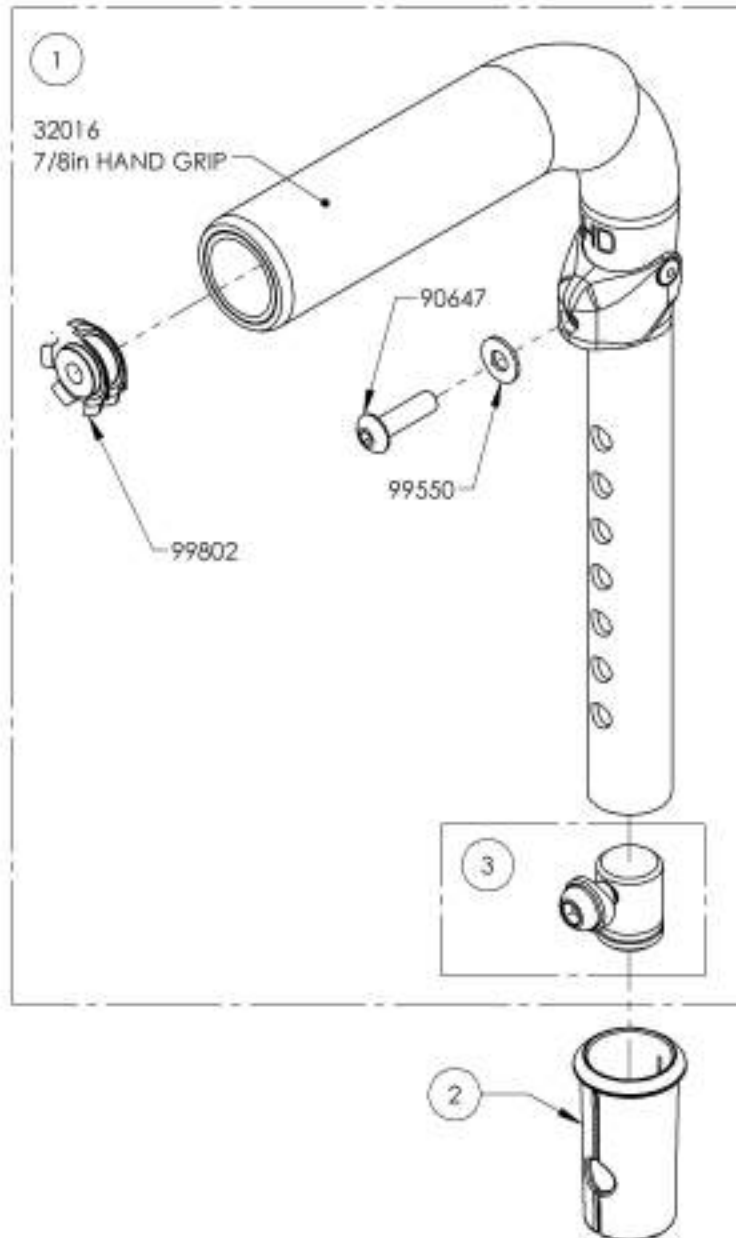
ITEM NO.	PARTNO	DESCRIPTION	QTY
1	900756E	HD Push Handle - Adjustable with Tube Connector	1
2	9007610*	Back Cone - Alu, Straight + Fixed Push Handle, 9-15 in with Tube Connect	1
3	9007611*	Back Cone - Alu, Straight + Fixed Push Handle, 15-21 in with Tube Connect	1
4	9007612*	Back Cone - Alu, 8° bend + fixed Push Handle, 16, 18 or 20 in with Tube Connect	1
5	9007613	Back Cone - Alu, Angle Adj, 8° bend + Fixed Push Handle, 16 in with Tube Connect	1
6	9007614	Back Cone - Alu, Angle Adj, 8° bend + Fixed Push Handle, 20 in with Tube Connect	1

\* NOT AVAILABLE ON VELOCE WHEELCHAIRS

MAKE SURE TO HAVE YOUR SERIAL NUMBER  
 NEARBY WHEN ORDERING PARTS FOR YOUR  
 MOTION COMPOSITES WHEELCHAIR

**9007565**  
**HD Push Handle - Adjustable with Tube Connector**

ITEM NO.	PARTNO	DESCRIPTION	9007565 /QTY.	REPLACEMENT PARTS/QTY.
1	32541	HD PUSH HANDLE + TUBE CONNECT 7/8" ASSY	1	-
2	32017	PUSH HANDLE BACK SLEEVE	1	-
3	32514	DOWEL NUT PUSH HANDLE - ASSEMBLY (M)	-	1

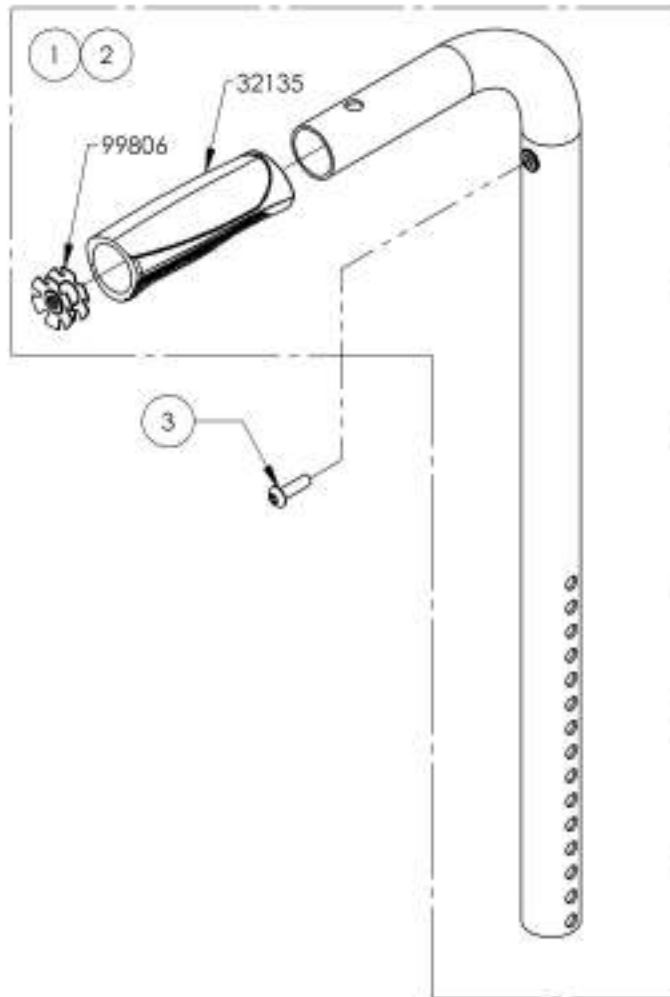


MAKE SURE TO HAVE YOUR SERIAL NUMBER  
 NEARBY WHEN ORDERING PARTS FOR YOUR  
 MOTION COMPOSITES WHEELCHAIR

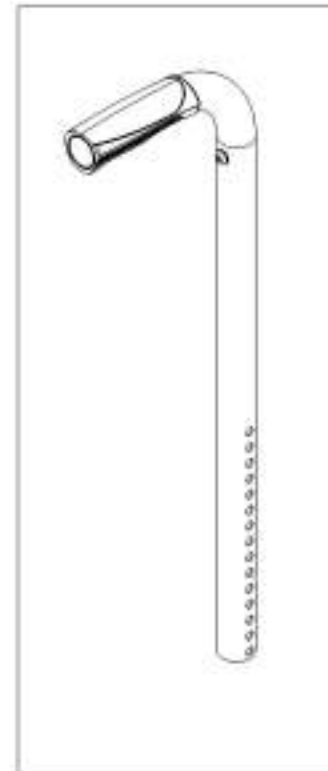
9007610\_9007611

Back Cane - Alu, Straight + Fixed Push Handle, with Tube Connect

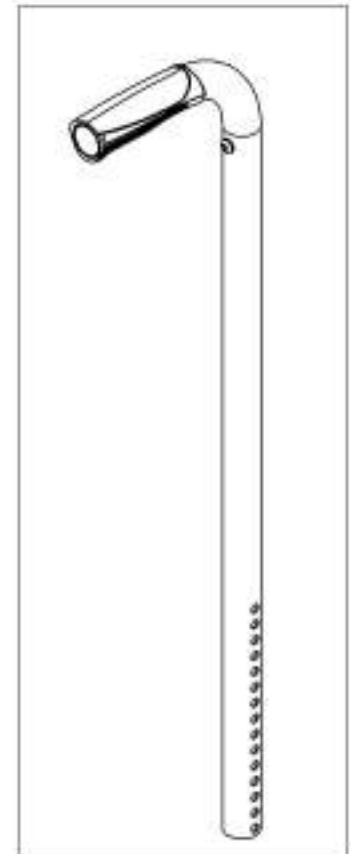
ITEM NO.	PARTNO	DESCRIPTION	9007610 /QTY.	9007611 /QTY.
1	32546	ALU STRAIGHT BACK CANE 9-15in IPH + TUBE CONNECT - ASSY	1	-
2	32547	ALU STRAIGHT BACK CANE 15-21in IPH + TUBE CONNECT - ASSY	-	1
3	90647	BUTTON HEAD CAP SCREW M5X0.8 X 18mm LONG, FULLY THREADED + BLUE THREADLOCKER - BLACK BNC	1	1



9007610  
Back Cane - Alu, Straight + Fixed  
Push Handle, 9-15 in with Tube  
Connect



9007611  
Back Cane - Alu, Straight + Fixed  
Push Handle, 15-21 in with Tube  
Connect

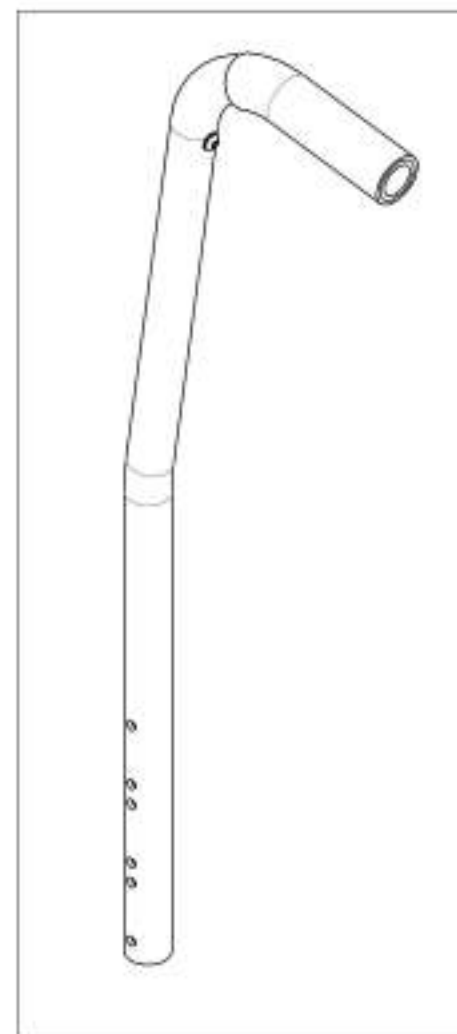
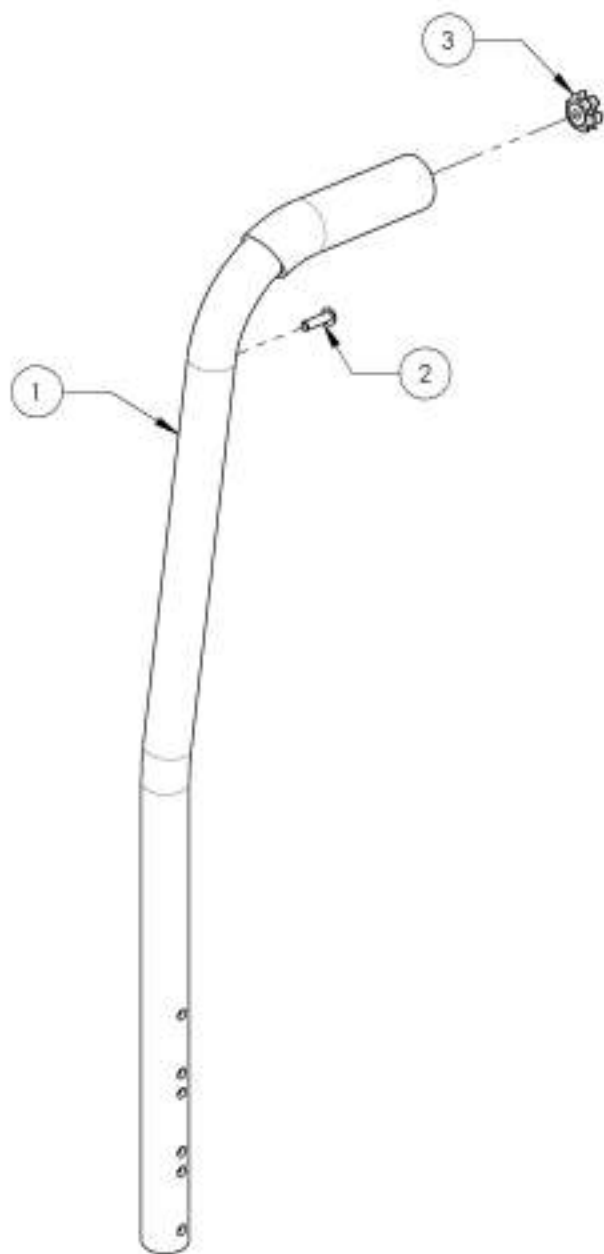


MAKE SURE TO HAVE YOUR SERIAL NUMBER  
NEARBY WHEN ORDERING PARTS FOR YOUR  
MOTION COMPOSITES WHEELCHAIR



**9007612**  
**Back Cane - Alu, 8° bend + Fixed Push Handle, 16, 18 or 20 in with Tube Connect**

ITEM NO.	PARTNO	DESCRIPTION	9007612 /QTY.
1	32500	ALU 8 DEG BACK CANE 16, 18 OR 20 in WITH FIXED PUSH HANDLE - ASSEMBLY (M)	1
2	90647	BUTTON HEAD CAP SCREW M5X0.8 X 18mm LONG, FULLY THREADED + BLUE THREADLOCKER - BLACK ZINC	1
3	99802	TUBE CONNECT 1_4-20 FOR 0.75 - 0.775in ID	1

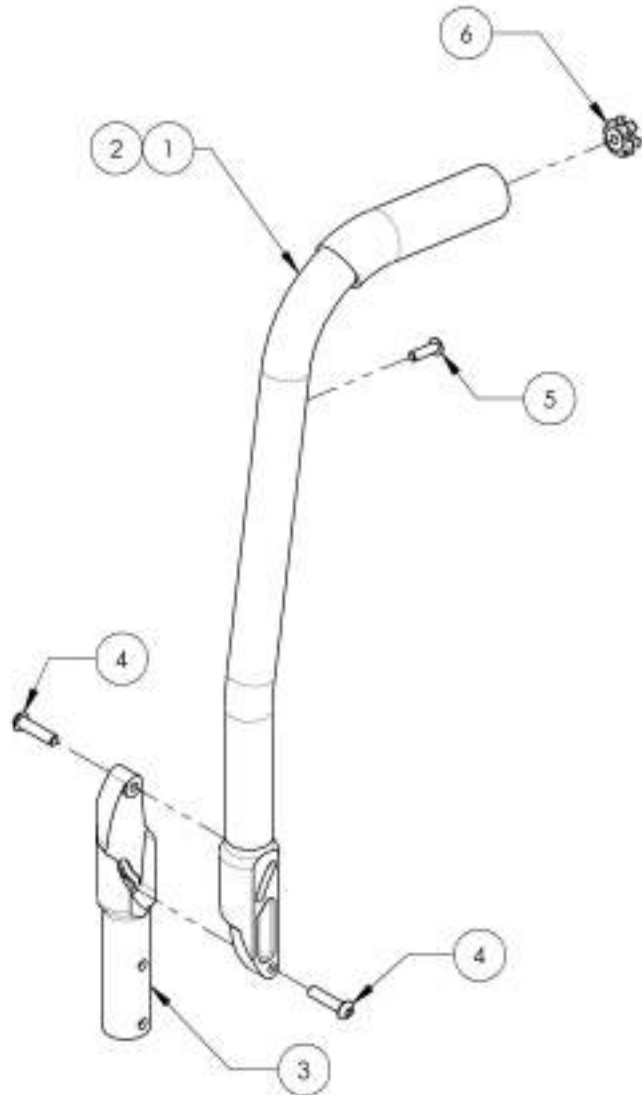


MAKE SURE TO HAVE YOUR SERIAL NUMBER  
 NEARBY WHEN ORDERING PARTS FOR YOUR  
 MOTION COMPOSITES WHEELCHAIR

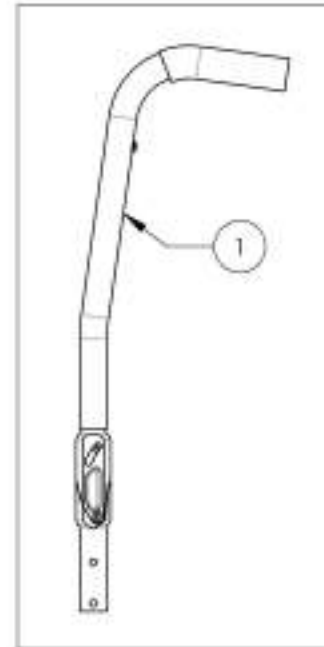
**9007613\_9007614**

**Back Cane - Alu, Angle Adj, 8° bend + Fixed Push Handle, with Tube Connect**

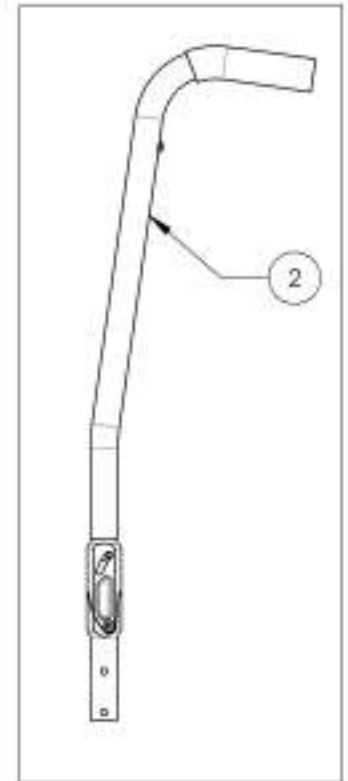
ITEM NO.	PARTNO	DESCRIPTION	9007613 /QTY.	9007614 /QTY.
1	32501	ALUMINIUM ADJUSTABLE ANGLE BACK 15° W_ FIXED PUSH HANDLE - ASSEMBLY (M)	1	-
2	32502	ALUMINIUM ADJUSTABLE ANGLE BACK 20° W_ FIXED PUSH HANDLE - ASSEMBLY (M)	-	1
3	32037	LOWER ADJUSTABLE BACKREST (M)	1	1
4	90663	BUTTON HEAD CAP SCREW M6X1 X 25mm LONG, FULLY THREADED	2	2
5	90647	BUTTON HEAD CAP SCREW M5X0.8 X 18mm LONG, FULLY THREADED + BLUE THREADLOCKER - BLACK ZINC	1	1
6	99802	TUBE CONNECT I_4-20 FOR Ø.75 - Ø.775in ID	1	1



9007613  
Back Cane - Alu, Angle Adj,  
8° bend + Fixed Push Handle,  
16 in with Tube Connect



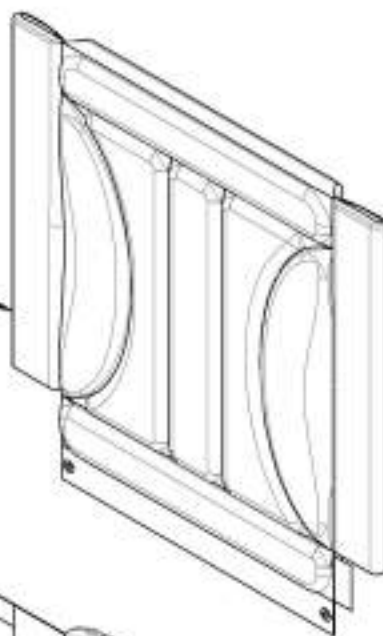
9007614  
Back Cane - Alu, Angle Adj,  
8° bend + Fixed Push Handle,  
20 in with Tube Connect



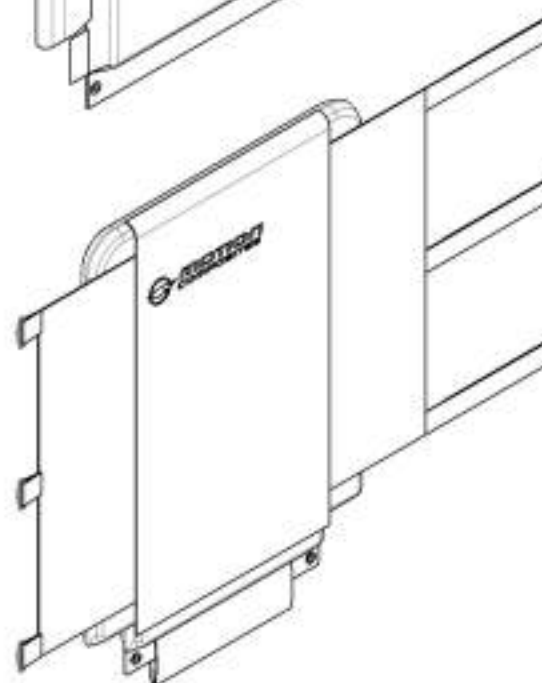
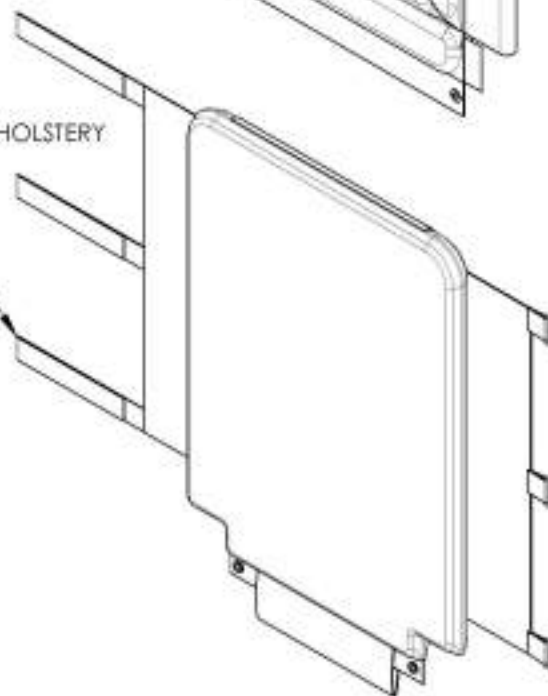
MAKE SURE TO HAVE YOUR SERIAL NUMBER  
NEARBY WHEN ORDERING PARTS FOR YOUR  
MOTION COMPOSITES WHEELCHAIR

**Upholstery & Seating Catalogue**  
**Back Upholstery - Slip On & Tension Back**

SLIP ON BACK UPHOLSTERY  
REFER TO ITEM  
#9001809\_9001863  
FOR LENGTH & WIDTH

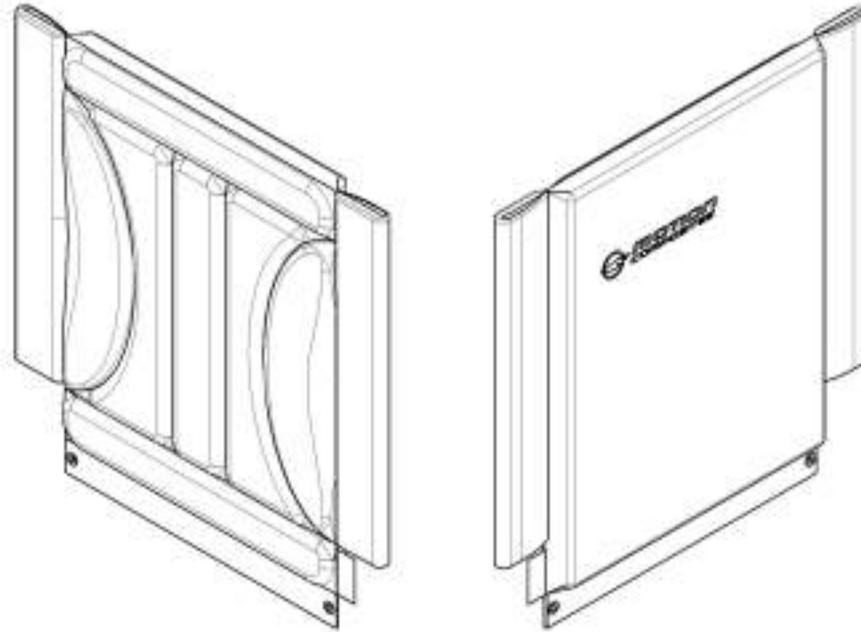


ADJUSTABLE TENSION BACK UPHOLSTERY  
REFER TO ITEM  
#9001754\_9001808  
FOR LENGTH & WIDTH



MAKE SURE TO HAVE YOUR SERIAL NUMBER  
NEARBY WHEN ORDERING PARTS FOR YOUR  
MOTION COMPOSITES WHEELCHAIR

**9001809\_9001863**  
**Back Upholstery - Slip On (Specify Size)**



SLIP ON BACK UPHOLSTERY		LENGTH in inches (cm)				
		9-12 (22.9-30.5)	12-15 (30.5-38.1)	15-18 (38.1-45.7)	18-21 (45.7-53.3)	21-24 (53.3-60.9)
WIDTH in inches (cm)	12 (30.5)	9001809	9001810	9001811	9001812	9001813
	13 (33.0)	9001814	9001815	9001816	9001817	9001818
	14 (35.6)	9001819	9001820	9001821	9001822	9001823
	15 (38.1)	9001824	9001825	9001826	9001827	9001828
	16 (40.6)	9001829	9001830	9001831	9001832	9001833
	17 (43.2)	9001834	9001835	9001836	9001837	9001838
	18 (45.7)	9001839	9001840	9001841	9001842	9001843
	19 (48.3)	9001844	9001845	9001846	9001847	9001848
	20 (50.8)	9001849	9001850	9001851	9001852	9001853
	21 (53.3)	9001854	9001855	9001856	9001857	9001858
	22 (55.9)	9001859	9001860	9001861	9001862	9001863

MAKE SURE TO HAVE YOUR SERIAL NUMBER  
 NEARBY WHEN ORDERING PARTS FOR YOUR  
 MOTION COMPOSITES WHEELCHAIR

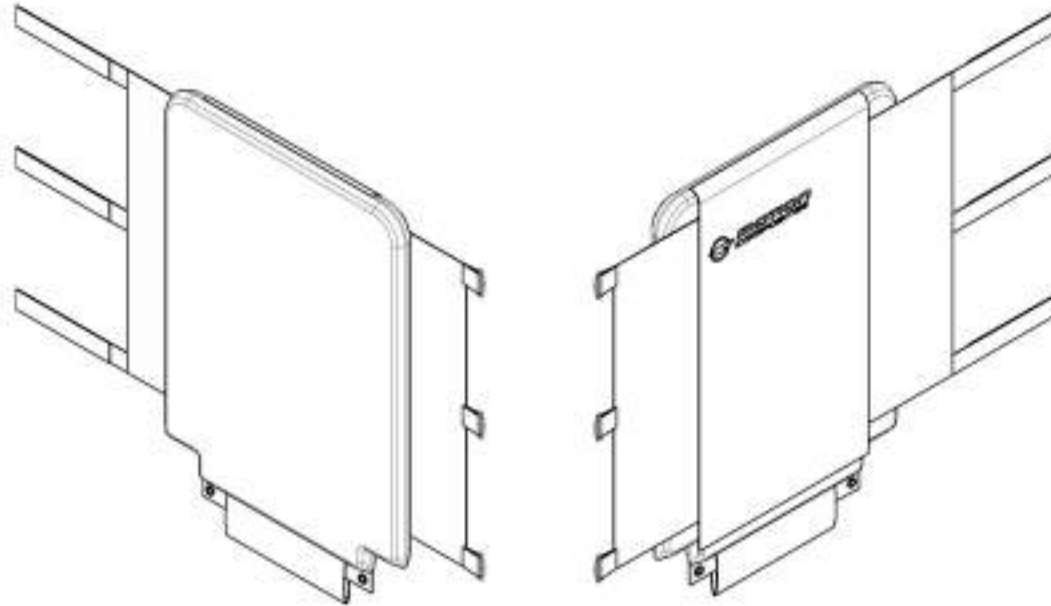
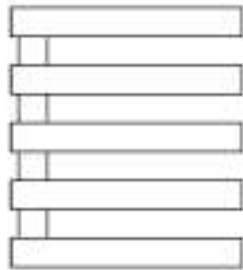
**9001754\_9001808**

**Back Upholstery - Adjustable Tension (Specify Size)**

**ADJUSTABLE TENSION  
BACK STRAPS**

FOR 9-12", 12-15" & 15-18"  
USE #60092

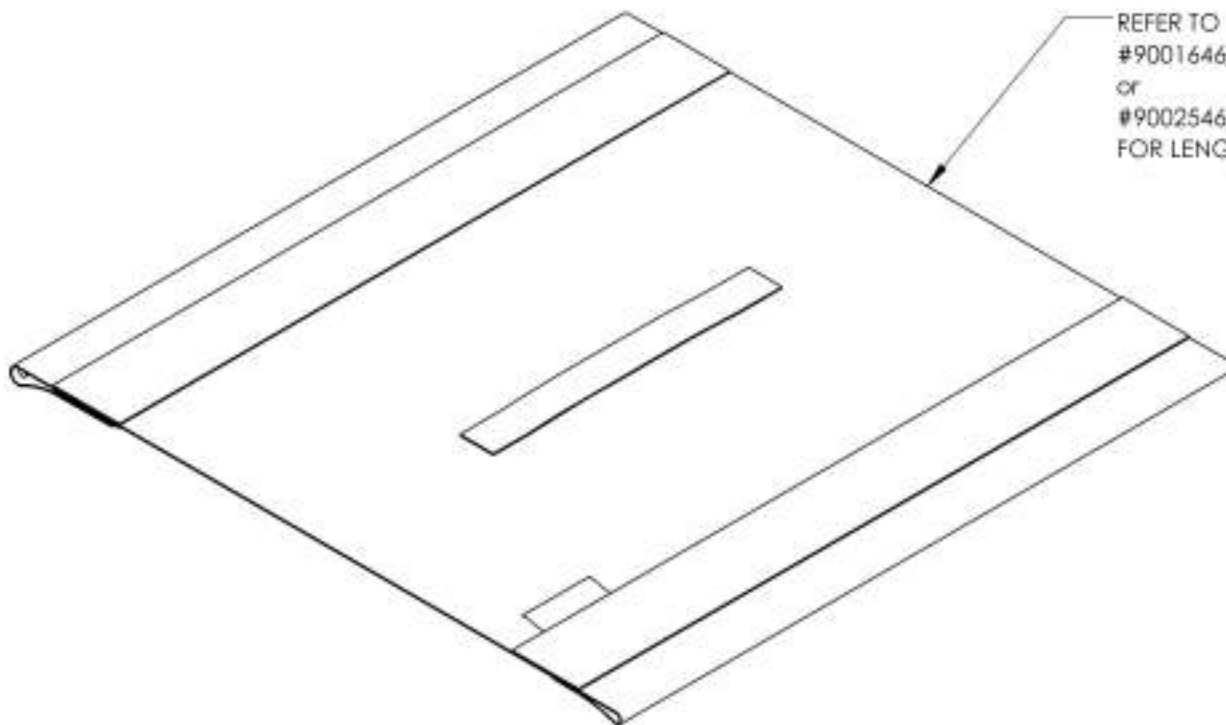
FOR 18-21" & 21-24"  
USE #60093



ADJUSTABLE TENSION BACK UPHOLSTERY		LENGTH in inches (cm)				
		9-12 (22.9-30.5)	12-15 (30.5-38.1)	15-18 (38.1-45.7)	18-21 (45.7-53.3)	21-24 (53.3-60.9)
WIDTH in inches (cm)	12 (30.5)	9001754	9001755	9001756	9001757	9001758
	13 (33.0)	9001759	9001760	9001761	9001762	9001763
	14 (35.6)	9001764	9001765	9001766	9001767	9001768
	15 (38.1)	9001769	9001770	9001771	9001772	9001773
	16 (40.6)	9001774	9001775	9001776	9001777	9001778
	17 (43.2)	9001779	9001780	9001781	9001782	9001783
	18 (45.7)	9001784	9001785	9001786	9001787	9001788
	19 (48.3)	9001789	9001790	9001791	9001792	9001793
	20 (50.8)	9001794	9001795	9001796	9001797	9001798
	21 (53.3)	9001799	9001800	9001801	9001802	9001803
	22 (55.9)	9001804	9001805	9001806	9001807	9001808

MAKE SURE TO HAVE YOUR SERIAL NUMBER  
NEARBY WHEN ORDERING PARTS FOR YOUR  
MOTION COMPOSITES WHEELCHAIR

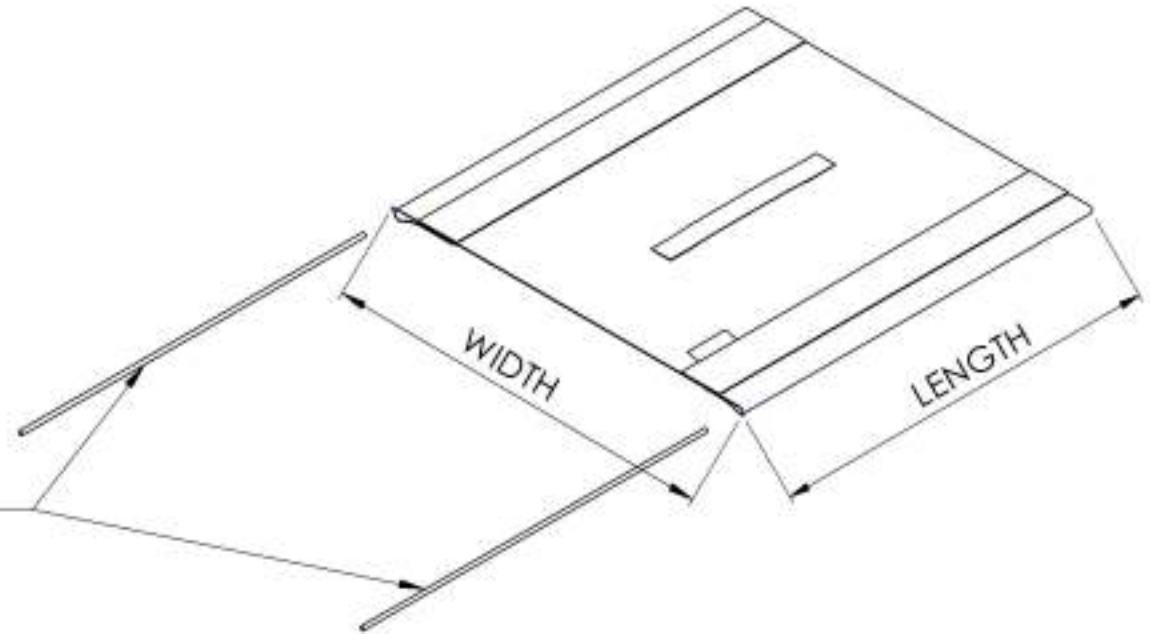
**Upholstery & Seating Catalogue**  
**Sliding Seat Slings Type 2**



REFER TO ITEM  
#9001646\_9001744 (with Hook)  
or  
#9002546\_9002644 (with Loop)  
FOR LENGTH & WIDTH

MAKE SURE TO HAVE YOUR SERIAL NUMBER  
NEARBY WHEN ORDERING PARTS FOR YOUR  
MOTION COMPOSITES WHEELCHAIR

**9001646 9001744**  
**Sliding Seat Slings Type 2 with Hook (Specify Size)**

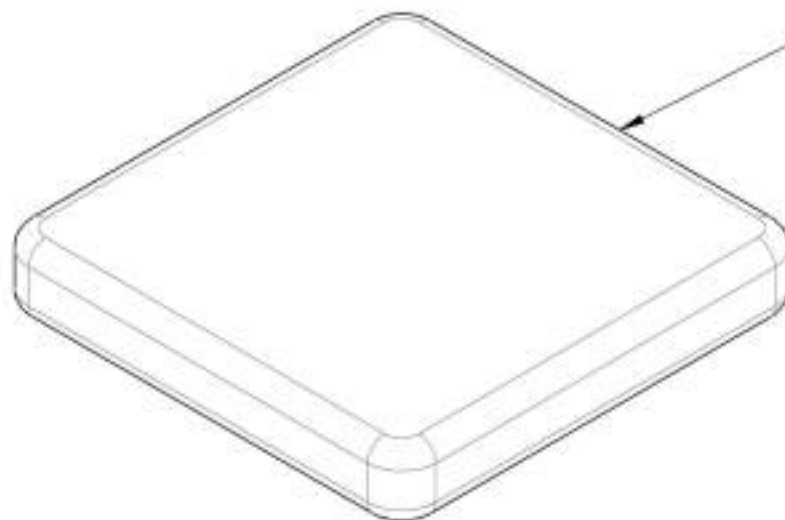


REPLACEMENT PARTS	
1x 12"Slotted Tube Guide	12173
1x 13"Slotted Tube Guide	12174
1x 14"Slotted Tube Guide	12175
1x 15"Slotted Tube Guide	12176
1x 16"Slotted Tube Guide	12177
1x 17"Slotted Tube Guide	12178
1x 18"Slotted Tube Guide	12179
1x 19"Slotted Tube Guide	12180
1x 20"Slotted Tube Guide	12181

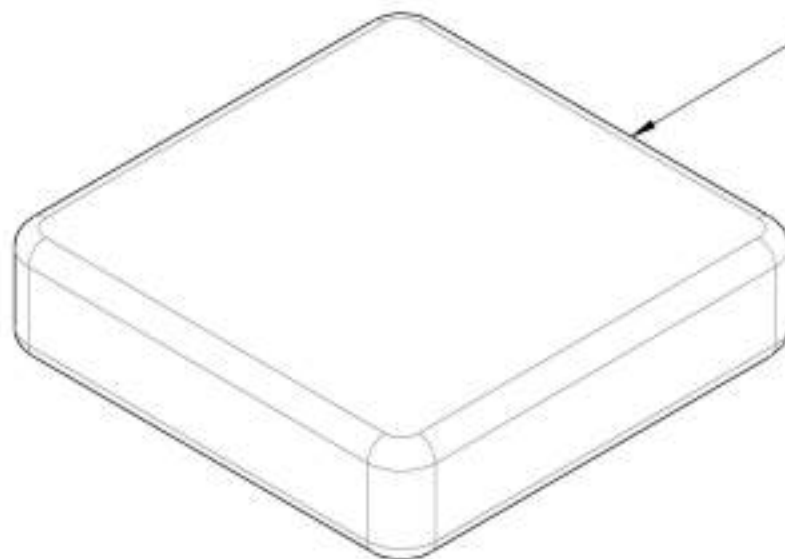
(2X slotted tube guide included)		LENGTH in inches (cm)								
		12 (30.5)	13 (33.0)	14 (35.6)	15 (38.1)	16 (40.6)	17 (43.2)	18 (45.7)	19 (48.3)	20 (50.8)
<b>WIDTH</b> in inches (cm)	12 (30.5)	9001646	9001647	9001648	9001649	9001650	9001651	9001652	9001653	9001654
	13 (33.0)	9001655	9001656	9001657	9001658	9001659	9001660	9001661	9001662	9001663
	14 (35.6)	9001664	9001665	9001666	9001667	9001668	9001669	9001670	9001671	9001672
	15 (38.1)	9001673	9001674	9001675	9001676	9001677	9001678	9001679	9001680	9001681
	16 (40.6)	9001682	9001683	9001684	9001685	9001686	9001687	9001688	9001689	9001690
	17 (43.2)	9001691	9001692	9001693	9001694	9001695	9001696	9001697	9001698	9001699
	18 (45.7)	9001700	9001701	9001702	9001703	9001704	9001705	9001706	9001707	9001708
	19 (48.3)	9001709	9001710	9001711	9001712	9001713	9001714	9001715	9001716	9001717
	20 (50.8)	9001718	9001719	9001720	9001721	9001722	9001723	9001724	9001725	9001726
	21 (53.3)	9001727	9001728	9001729	9001730	9001731	9001732	9001733	9001734	9001735
22 (55.9)	9001736	9001737	9001738	9001739	9001740	9001741	9001742	9001743	9001744	

MAKE SURE TO HAVE YOUR SERIAL NUMBER  
 NEARBY WHEN ORDERING PARTS FOR YOUR  
 MOTION COMPOSITES WHEELCHAIR

**Upholstery & Seating Catalogue  
Cushions**



2 in CUSHIONS  
REFER TO ITEM  
#9001934\_9002032 (with Loop)  
or  
#9002645\_9002743 (with Hook)  
for LENGTH & WIDTH



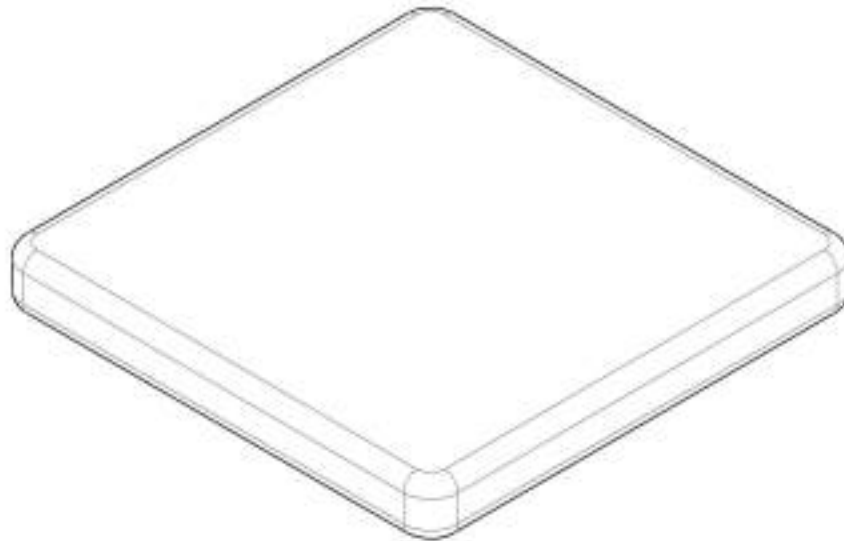
3 in CUSHIONS  
REFER TO ITEM  
#9002033\_9002131 (with Loop)  
or  
#9002744\_9002842 (with Hook)  
for LENGTH & WIDTH

MAKE SURE TO HAVE YOUR SERIAL NUMBER  
NEARBY WHEN ORDERING PARTS FOR YOUR  
MOTION COMPOSITES WHEELCHAIR



9001934 9002032

Cushion 2 in with Velcro Loop (Specify Size)



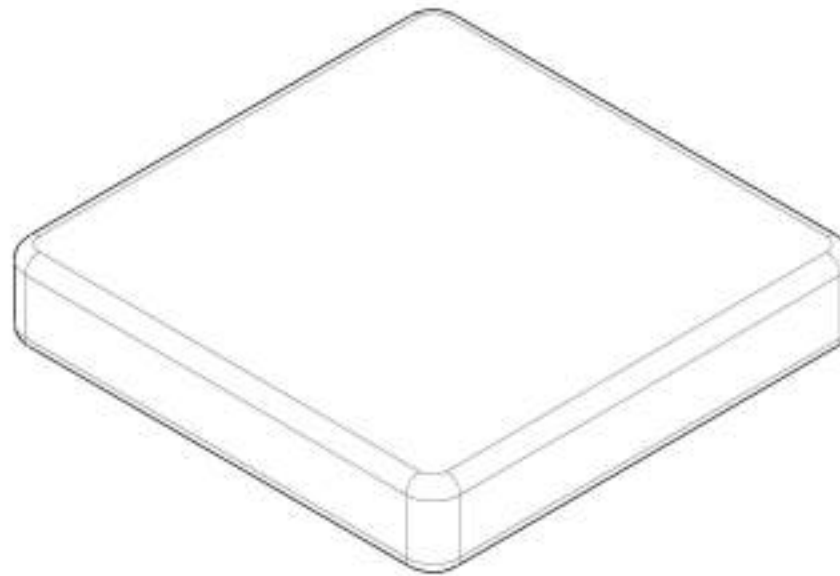
2 in CUSHIONS PART NUMBERS FOR THE APPROPRIATE LENGTH AND WIDTH

		LENGTH in inches (cm)								
		12 (30.5)	13 (33.0)	14 (35.6)	15 (38.1)	16 (40.6)	17 (43.2)	18 (45.7)	19 (48.3)	20 (50.8)
WIDTH in inches (cm)	12 (30.5)	9001934	9001935	9001936	9001937	9001938	9001939	9001940	9001941	9001942
	13 (33.0)	9001943	9001944	9001945	9001946	9001947	9001948	9001949	9001950	9001951
	14 (35.6)	9001952	9001953	9001954	9001955	9001956	9001957	9001958	9001959	9001960
	15 (38.1)	9001961	9001962	9001963	9001964	9001965	9001966	9001967	9001968	9001969
	16 (40.6)	9001970	9001971	9001972	9001973	9001974	9001975	9001976	9001977	9001978
	17 (43.2)	9001979	9001980	9001981	9001982	9001983	9001984	9001985	9001986	9001987
	18 (45.7)	9001988	9001989	9001990	9001991	9001992	9001993	9001994	9001995	9001996
	19 (48.3)	9001997	9001998	9001999	9002000	9002001	9002002	9002003	9002004	9002005
	20 (50.8)	9002006	9002007	9002008	9002009	9002010	9002011	9002012	9002013	9002014
	21 (53.3)	9002015	9002016	9002017	9002018	9002019	9002020	9002021	9002022	9002023
22 (55.9)	9002024	9002025	9002026	9002027	9002028	9002029	9002030	9002031	9002032	

MAKE SURE TO HAVE YOUR SERIAL NUMBER  
NEARBY WHEN ORDERING PARTS FOR YOUR  
MOTION COMPOSITES WHEELCHAIR

9002033 9002131

Cushion 3 in with Velcro Loop (Specify Size)

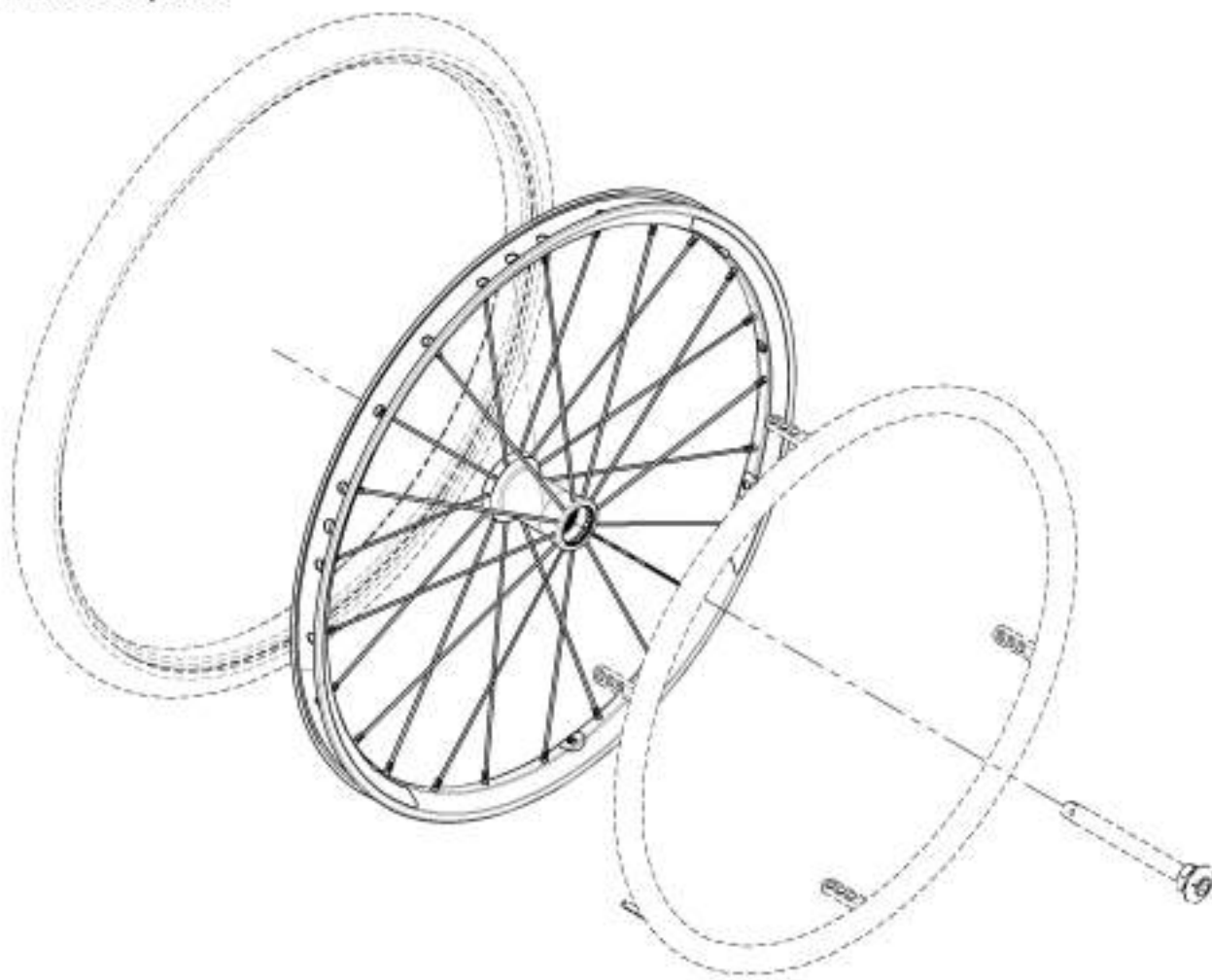


**3 in CUSHIONS PART NUMBERS FOR THE APPROPRIATE LENGTH AND WIDTH**

		LENGTH in inches (cm)								
		12 (30.5)	13 (33.0)	14 (35.6)	15 (38.1)	16 (40.6)	17 (43.2)	18 (45.7)	19 (48.3)	20 (50.8)
WIDTH in inches (cm)	12 (30.5)	9002033	9002034	9002035	9002036	9002037	9002038	9002039	9002040	9002041
	13 (33.0)	9002042	9002043	9002044	9002045	9002046	9002047	9002048	9002049	9002050
	14 (35.6)	9002051	9002052	9002053	9002054	9002055	9002056	9002057	9002058	9002059
	15 (38.1)	9002060	9002061	9002062	9002063	9002064	9002065	9002066	9002067	9002068
	16 (40.6)	9002069	9002070	9002071	9002072	9002073	9002074	9002075	9002076	9002077
	17 (43.2)	9002078	9002079	9002080	9002081	9002082	9002083	9002084	9002085	9002086
	18 (45.7)	9002087	9002088	9002089	9002090	9002091	9002092	9002093	9002094	9002095
	19 (48.3)	9002096	9002097	9002098	9002099	9002100	9002101	9002102	9002103	9002104
	20 (50.8)	9002105	9002106	9002107	9002108	9002109	9002110	9002111	9002112	9002113
	21 (53.3)	9002114	9002115	9002116	9002117	9002118	9002119	9002120	9002121	9002122
22 (55.9)	9002123	9002124	9002125	9002126	9002127	9002128	9002129	9002130	9002131	

MAKE SURE TO HAVE YOUR SERIAL NUMBER  
NEARBY WHEN ORDERING PARTS FOR YOUR  
MOTION COMPOSITES WHEELCHAIR

**Rear Wheels Catalogue**  
**Rear Wheels & Spokes**

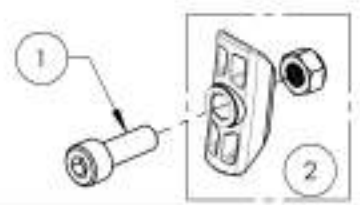


ITEM NO.	PARTNO	DESCRIPTION	QTY.
1	9001483	Rear Wheel - Mag, 20in	1
2	9001484	Rear Wheel - Mag, 22in	1
3	9001485	Rear Wheel - Mag, 24in	1
4	9001446	Rear Wheel - Newton One, 20in	1
5	9001486	Rear Wheel - Newton One, 22in	1
6	9001487	Rear Wheel - Newton One, 24in	1
7	9001488	Rear Wheel - Newton Gravity, 20in	1
8	9001489	Rear Wheel - Newton Gravity, 22in	1
9	9001490	Rear Wheel - Newton Gravity, 24in	1
10	9001491	Rear Wheel - Newton Gravity, 25in	1
11	9001492	Rear Wheel - Newton Gravity, 26in	1

**MAG WHEEL CAP  
 REPLACEMENT**  
**FOR 9001483, 9001484 & 9001485**  
 Part#: **21108**

**BEARING REPLACEMENT  
 FOR ALL REAR WHEELS**  
 Part#: **22011**

**HARDWARE INCLUDED WITH ALL NEWTON ONE WHEELS**



ITEM NO.	PARTNO	DESCRIPTION	9001446 /QTY.	9001486 /QTY.	9001487 /QTY.
1	90746	SOCKET CAP SCREW M5X0.8 X 15mm LONG, FULLY THREADED + BLUE TREADLOCKER - BLACK ZINC	6	6	6
2	21500	REAR WHEEL LOCKNUT INSERT - ASSEMBLY	6	6	6

	WHEEL SPOKES				
	NEWTON ONE (24)	NEWTON ONE (36)	NEWTON GRAVITY (24)		
	EXT. & INT. SILVER	EXT. & INT. SILVER	EXT. WHITE (1)	EXT. BLACK (11)	INT. BLACK (12)
20"	21271 (1)		21157	21156 (1)	21155 (1)
22"		21153 (1)	21160	21159 (1)	21158 (1)
24"		21154 (1)	21163	21162 (1)	21161 (1)
25"	-	-	21166	21165 (1)	21164 (1)
26"	-	-	21169	21168 (1)	21167 (1)
<b>NIPPLE</b>	21181 (SILVER NIPPLE)		21180 (BLACK NIPPLE)		

MAKE SURE TO HAVE YOUR SERIAL NUMBER NEARBY WHEN ORDERING PARTS FOR YOUR MOTION COMPOSITES WHEELCHAIR

**Rear Wheels Catalogue**  
**Spinergy Rear Wheels**

**BEARING REPLACEMENT**

**FOR ALL REAR WHEELS**

**Part#: 22011**



**SPINERGY SPOX**



**SPINERGY LX**

ITEM NO.	PARTNO	DESCRIPTION	QTY
1	9001494	Rear Wheel - Spinergy Spox, 22 in, Black	1
2	9001495	Rear Wheel - Spinergy Spox, 24 in, Black	1
3	9001496	Rear Wheel - Spinergy Spox, 25 in, Black	1
4	9001497	Rear Wheel - Spinergy Spox, 26 in, Black	1
5	9003413	Rear Wheel - Spinergy Spox, 22 in, Blue	1
6	9003414	Rear Wheel - Spinergy Spox, 24 in, Blue	1
7	9003415	Rear Wheel - Spinergy Spox, 25 in, Blue	1
8	9003416	Rear Wheel - Spinergy Spox, 26 in, Blue	1
9	9003418	Rear Wheel - Spinergy Spox, 22 in, Red	1
10	9003419	Rear Wheel - Spinergy Spox, 24 in, Red	1
11	9003420	Rear Wheel - Spinergy Spox, 25 in, Red	1
12	9003421	Rear Wheel - Spinergy Spox, 26 in, Red	1
13	9003433	Rear Wheel - Spinergy Spox, 22 in, Yellow	1
14	9003434	Rear Wheel - Spinergy Spox, 24 in, Yellow	1
15	9003435	Rear Wheel - Spinergy Spox, 25 in, Yellow	1
16	9003436	Rear Wheel - Spinergy Spox, 26 in, Yellow	1
17	9003443	Rear Wheel - Spinergy Spox, 22 in, White	1
18	9003444	Rear Wheel - Spinergy Spox, 24 in, White	1
19	9003445	Rear Wheel - Spinergy Spox, 25 in, White	1
20	9003446	Rear Wheel - Spinergy Spox, 26 in, White	1

ITEM NO.	PARTNO	DESCRIPTION	QTY
21	9001498	Rear Wheel - Spinergy LX, 22 in, Black	1
22	9001499	Rear Wheel - Spinergy LX, 24 in, Black	1
23	9001500	Rear Wheel - Spinergy LX, 25 in, Black	1
24	9001501	Rear Wheel - Spinergy LX, 26 in, Black	1
25	9003448	Rear Wheel - Spinergy LX, 22 in, Blue	1
26	9003449	Rear Wheel - Spinergy LX, 24 in, Blue	1
27	9003450	Rear Wheel - Spinergy LX, 25 in, Blue	1
28	9003451	Rear Wheel - Spinergy LX, 26 in, Blue	1
29	9003453	Rear Wheel - Spinergy LX, 22 in, Red	1
30	9003454	Rear Wheel - Spinergy LX, 24 in, Red	1
31	9003455	Rear Wheel - Spinergy LX, 25 in, Red	1
32	9003456	Rear Wheel - Spinergy LX, 26 in, Red	1
33	9003458	Rear Wheel - Spinergy LX, 22 in, Green	1
34	9003459	Rear Wheel - Spinergy LX, 24 in, Green	1
35	9003460	Rear Wheel - Spinergy LX, 25 in, Green	1
36	9003461	Rear Wheel - Spinergy LX, 26 in, Green	1
37	9003463	Rear Wheel - Spinergy LX, 22 in, Orange	1
38	9003464	Rear Wheel - Spinergy LX, 24 in, Orange	1
39	9003465	Rear Wheel - Spinergy LX, 25 in, Orange	1
40	9003466	Rear Wheel - Spinergy LX, 26 in, Orange	1
41	9003468	Rear Wheel - Spinergy LX, 22 in, Yellow	1
42	9003469	Rear Wheel - Spinergy LX, 24 in, Yellow	1
43	9003470	Rear Wheel - Spinergy LX, 25 in, Yellow	1
44	9003471	Rear Wheel - Spinergy LX, 26 in, Yellow	1
45	9003473	Rear Wheel - Spinergy LX, 22 in, Pink	1
46	9003474	Rear Wheel - Spinergy LX, 24 in, Pink	1
47	9003475	Rear Wheel - Spinergy LX, 25 in, Pink	1
48	9003476	Rear Wheel - Spinergy LX, 26 in, Pink	1
49	9003478	Rear Wheel - Spinergy LX, 22 in, White	1
50	9003479	Rear Wheel - Spinergy LX, 24 in, White	1
51	9003480	Rear Wheel - Spinergy LX, 25 in, White	1
52	9003481	Rear Wheel - Spinergy LX, 26 in, White	1
53	9003482	Rear Wheel - Spinergy LX, 22 in, Purple	1
54	9003483	Rear Wheel - Spinergy LX, 24 in, Purple	1
55	9003484	Rear Wheel - Spinergy LX, 25 in, Purple	1
56	9003485	Rear Wheel - Spinergy LX, 26 in, Purple	1



**ONLY COLORS AVAILABLE  
 FOR SPINERGY SPOX**

**MAKE SURE TO HAVE YOUR SERIAL NUMBER  
 NEARBY WHEN ORDERING PARTS FOR YOUR  
 MOTION COMPOSITES WHEELCHAIR**



**Rear Wheels Catalogue**  
**Spinergy CLX Blade Rear Wheels**



**SPINERGY CLX BLADE**

ITEM NO.	PARTNO	DESCRIPTION	QTY
1	9008122	Rear Wheel - Spinergy CLX Blade, 24 in, Black	1
2	9008123	Rear Wheel - Spinergy CLX Blade, 25 in, Black	1
3	9008127	Rear Wheel - Spinergy CLX Blade, 24 in, Blue	1
4	9008128	Rear Wheel - Spinergy CLX Blade, 25 in, Blue	1
5	9008132	Rear Wheel - Spinergy CLX Blade, 24 in, Red	1
6	9008133	Rear Wheel - Spinergy CLX Blade, 25 in, Red	1
7	9008137	Rear Wheel - Spinergy CLX Blade, 24 in, Green	1
8	9008138	Rear Wheel - Spinergy CLX Blade, 25 in, Green	1
9	9008142	Rear Wheel - Spinergy CLX Blade, 24 in, Orange	1
10	9008143	Rear Wheel - Spinergy CLX Blade, 25 in, Orange	1
11	9008147	Rear Wheel - Spinergy CLX Blade, 24 in, Yellow	1
12	9008148	Rear Wheel - Spinergy CLX Blade, 25 in, Yellow	1
13	9008152	Rear Wheel - Spinergy CLX Blade, 24 in, Pink	1
14	9008153	Rear Wheel - Spinergy CLX Blade, 25 in, Pink	1
15	9008157	Rear Wheel - Spinergy CLX Blade, 24 in, White	1
16	9008158	Rear Wheel - Spinergy CLX Blade, 25 in, White	1
17	9008162	Rear Wheel - Spinergy CLX Blade, 24 in, Purple	1
18	9008163	Rear Wheel - Spinergy CLX Blade, 25 in, Purple	1

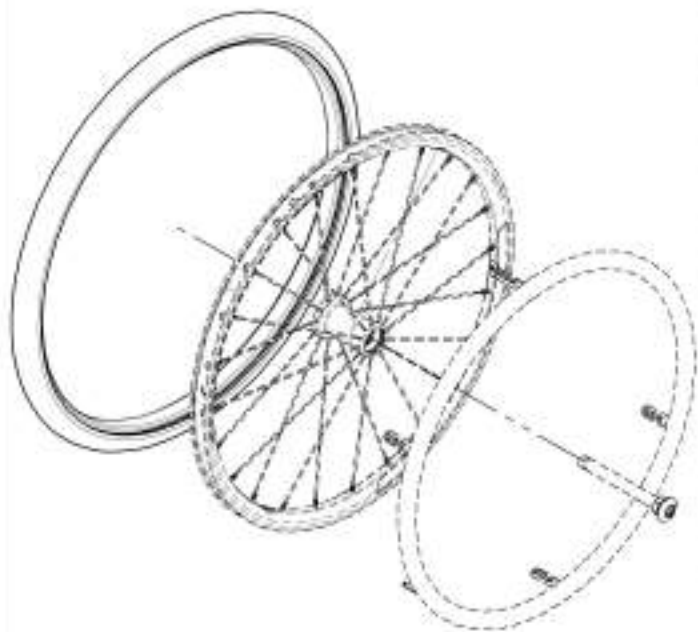


**BEARING REPLACEMENT  
 FOR ALL REAR WHEELS**  
 Part#: **22011**



MAKE SURE TO HAVE YOUR SERIAL NUMBER  
 NEARBY WHEN ORDERING PARTS FOR YOUR  
 MOTION COMPOSITES WHEELCHAIR

## Rear Wheels Catalogue Tires



**TUBE AND RIM TAPE ARE ALREADY  
INCLUDED WITH ALL PNEUMATIC TIRES**

ITEM NO.	PARTNO	DESCRIPTION	QTY.
1	9001507	Tire - Soft Urethane, 1 1/4 x 20 in	1
2	9001508	Tire - Soft Urethane, 1 1/4 x 22 in	1
3	9001509	Tire - Soft Urethane, 1 1/4 x 24 in	1
4	9001510	Tire & Components - Pneumatic, Standard Pressure, 1 3/8 x 20 in	1
	21315	PNEUMATIC TIRE 20x1-3/8in	1
	21255	20" x1 1/2" TUBE	1
	21064	RIM TAPE 20in	1
5	9001511	Tire & Components - Pneumatic, Standard Pressure, 1 3/8 x 22 in	1
	21316	PNEUMATIC TIRE 22x1-3/8in	1
	21256	22" x1 1/2" TUBE	1
	21065	RIM TAPE 22in	1
6	9001512	Tire & Components - Pneumatic, Standard Pressure, 1 3/8 x 24 in	1
	21317	PNEUMATIC TIRE 24x1-3/8in	1
	21257	24" x1 1/2" TUBE	1
	21066	RIM TAPE 24in	1
7	9001513	Tire & Components - Pneumatic, Standard Pressure, 1 3/8 x 25 in	1
	21318	PNEUMATIC TIRE 25x1-3/8in	1
	21253	25"x1" TUBE	1
	21067	RIM TAPE 25in	1
8	9001514	Tire & Components - Pneumatic, Standard Pressure, 1 3/8 x 26 in	1
	21319	PNEUMATIC TIRE 26x1-3/8in	1
	21259	26" x1 1/2" TUBE	1
	21068	RIM TAPE 26in	1
9	9001515	Tire - Pyramid, 1 x 22 in	1
10	9001516	Tire - Pyramid, 1 x 24 in	1
11	9001517	Tire & Components - Schwabe Rightrun HP, 1 x 20 in	1
	21305	IRONCAP/RIGHTRUN 1" HP TIRE 20"	1
	21250	20"x1" TUBE	1
	21064	RIM TAPE 20in	1
12	9001518	Tire & Components - Schwabe Rightrun HP, 1 x 22 in	1
	21306	IRONCAP/RIGHTRUN 1" HP TIRE 22"	1
	21251	22"x1" TUBE	1
	21065	RIM TAPE 22in	1
13	9001519	Tire & Components - Schwabe Rightrun HP, 1 x 24 in	1
	21307	IRONCAP/RIGHTRUN 1" HP TIRE 24"	1
	21252	24"x1" TUBE	1
	21066	RIM TAPE 24in	1
14	9001520	Tire & Components - Schwabe Rightrun HP, 1 x 25 in	1
	21308	IRONCAP/RIGHTRUN 1" HP TIRE 25"	1
	21253	25"x1" TUBE	1
	21067	RIM TAPE 25in	1
15	9001521	Tire & Components - Schwabe Rightrun HP, 1 x 26 in	1
	21309	IRONCAP/RIGHTRUN 1" HP TIRE 26"	1
	21254	26"x1" TUBE	1
	21068	RIM TAPE 26in	1

ITEM NO.	PARTNO	DESCRIPTION	QTY.
16	9001522	Tire & Components - Kenda Kourier HP, 1 3/8 x 24 in	1
	21322	24"x1 1/2" KOURIER TIRE	1
	21257	24" x1 1/2" TUBE	1
	21066	RIM TAPE 24in	1
17	9001523	Tire & Components - Kenda Kourier HP, 1 3/8 x 26 in	1
	21326	26"x1 1/2" KOURIER TIRE	1
	21259	26" x1 1/2" TUBE	1
	21068	RIM TAPE 26in	1
18	9001524	Tire - Soft Urethane SHOX HP, 1 x 22 in	1
19	9001525	Tire - Soft Urethane SHOX HP, 1 x 24 in	1
20	9001526	Tire - Soft Urethane SHOX HP, 1 x 25 in	1
21	9001527	Tire - Soft Urethane SHOX HP, 1 x 26 in	1
22	9001528	Tire & Components - Schwabe Marathon Plus, 1 x 24 in	1
	21252	24"x1" TUBE	1
	21066	RIM TAPE 24in	1
	21312	24x1in HP TIRE MARATHON PLUS	1
23	9001529	Tire & Components - Schwabe Marathon Plus, 1 x 25 in	1
	21253	25"x1" TUBE	1
	21067	RIM TAPE 25in	1
	21313	25x1in HP TIRE MARATHON PLUS	1
24	9001530	Tire & Components - Schwabe Marathon Plus, 1 x 26 in	1
	21254	26"x1" TUBE	1
	21068	RIM TAPE 26in	1
	21314	26x1in HP TIRE MARATHON PLUS	1
25	9002221	Tire - Soft Urethane, Knobby, 1 3/8 x 22 in	1
26	9002225	Tire - Soft Urethane, Knobby, 1 3/8 x 24 in	1
27	9002264	Tire - Soft Urethane, Knobby, 1 3/8 x 25 in	1
28	9002265	Tire - Soft Urethane, Knobby, 1 3/8 x 26 in	1
29	9003044	Tire & Components - Pneumatic, Knobby, 2 x 22 in	1
	21379	22nx2in KNOBBY STYLE PNEUMATIC TIRE	1
	21265	22nx2in TUBE	1
	21065	RIM TAPE 22in	1
30	9003045	Tire & Components - Pneumatic, Knobby, 2 x 24 in	1
	21380	24nx2in KNOBBY STYLE PNEUMATIC TIRE	1
	21266	24nx2in TUBE	1
	21066	RIM TAPE 24in	1
31	9003046	Tire & Components - Pneumatic, Knobby, 2 x 25 in	1
	21381	25nx2in KNOBBY STYLE PNEUMATIC TIRE	1
	21267	25nx2in TUBE	1
	21067	RIM TAPE 25in	1

MAKE SURE TO HAVE YOUR SERIAL NUMBER  
NEARBY WHEN ORDERING PARTS FOR YOUR  
MOTION COMPOSITES WHEELCHAIR

**Rear Wheels Catalogue  
Handrims**

**CUTTING FEES**

Available only for 9001537, 9001539, 9001540 & 9001541

**9003632**

Handrim Tabs cutting, Narrow Position

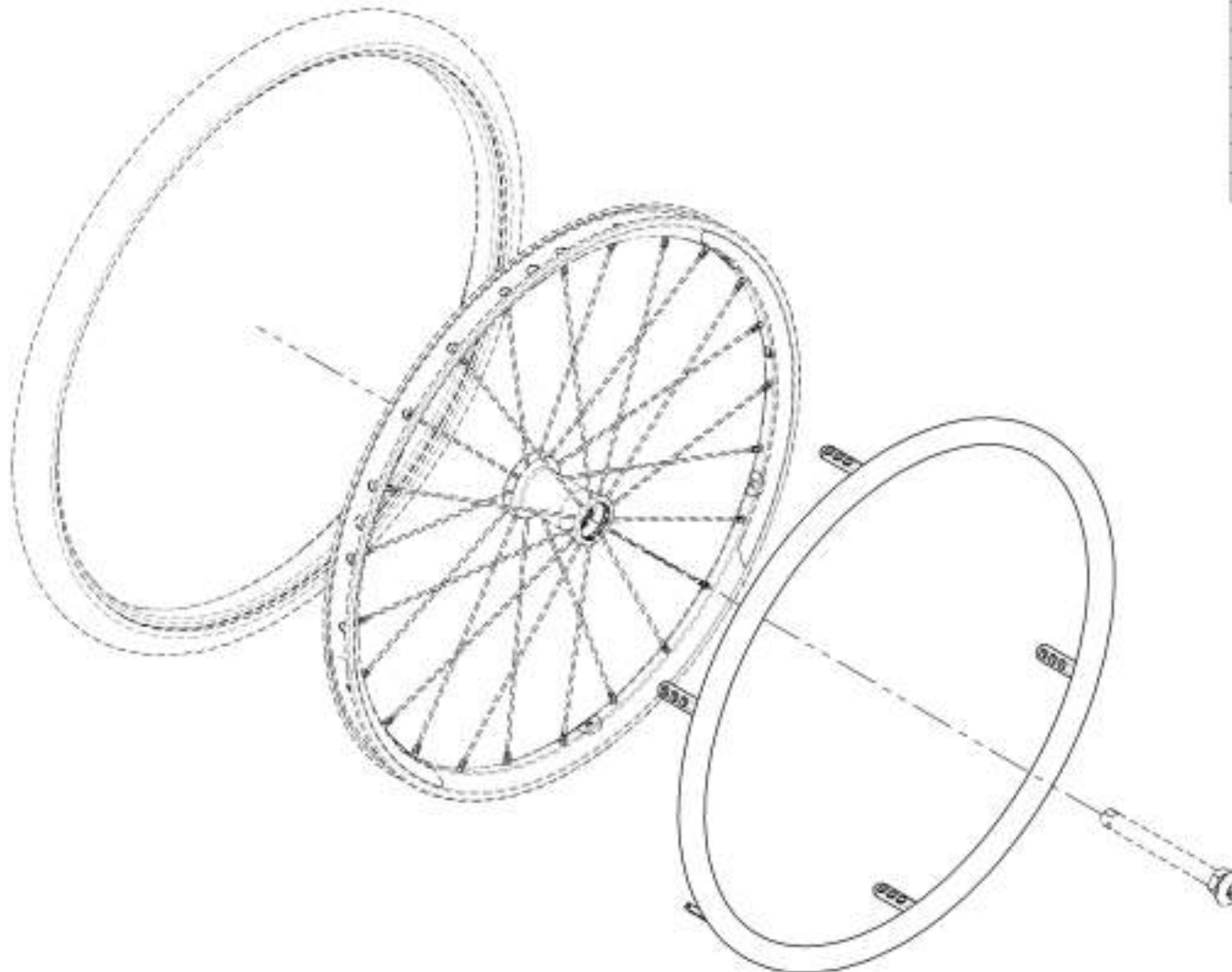
**9003633**

Handrim Tabs cutting, Super Narrow Position

**HANDRIM TAB STICKERS**

**9003634**

Contact Joint Stickers for Handrim Tabs



ITEM NO.	PARTNO	DESCRIPTION	QTY.
1	9001531	Handrim For Mag - Anodized Aluminum, 20 in	1
2	9001532	Handrim For Mag - Anodized Aluminum, 22 in	1
3	9001533	Handrim For Mag - Anodized Aluminum, 24 in	1
4	9001534	Handrim For Mag - Plastic Coated, 20 in	1
5	9001535	Handrim For Mag - Plastic Coated, 22 in	1
6	9001536	Handrim For Mag - Plastic Coated, 24 in	1
7	9001537	Handrim - Anodized Aluminum, 20 in	1
8	9001538	Handrim - Anodized Aluminum, 22 in	1
9	9001539	Handrim - Anodized Aluminum, 24 in	1
10	9001540	Handrim - Anodized Aluminum, 25 in	1
11	9001541	Handrim - Anodized Aluminum, 26 in	1
12	9001542	Handrim - Plastic Coated, 20 in	1
13	9001543	Handrim - Plastic Coated, 22 in	1
14	9001544	Handrim - Plastic Coated, 24 in	1
15	9001545	Handrim - Plastic Coated, 25 in	1
16	9001546	Handrim - Plastic Coated, 26 in	1
17	9001548	Handrim - Q-Grip High Friction Coated Foam, 22 in	1
18	9001549	Handrim - Q-Grip High Friction Coated Foam, 24 in	1
19	9001550	Handrim - Q-Grip High Friction Coated Foam, 25 in	1
20	9001551	Handrim - Q-Grip High Friction Coated Foam, 26 in	1

MAKE SURE TO HAVE YOUR SERIAL NUMBER NEARBY WHEN ORDERING PARTS FOR YOUR MOTION COMPOSITES WHEELCHAIR



**Rear Wheels Catalogue  
Surge & Natural Fit Handrims**



The Surge

The Surge LT



ITEM NO.	PART NO.	DESCRIPTION	QTY
1	9002209	Handrim - Surge, 22 in	1
2	9002210	Handrim - Surge, 24 in	1
3	9002211	Handrim - Surge, 25 in	1
4	9002212	Handrim - Surge, 26 in	1
5	9001555	Handrim - Surge LT, 22 in	1
6	9001556	Handrim - Surge LT, 24 in	1
7	9001576	Handrim - Surge LT, 25 in	1
8	9001578	Handrim - Surge LT, 26 in	1
9	9003274	Handrim - Natural FR, 22 in	1
10	9003275	Handrim - Natural FR, 24 in	1
11	9003276	Handrim - Natural FR, 25 in	1
12	9003277	Handrim - Natural FR, 26 in	1
13	9001552	Handrim - Natural RI, Standard Grip, 22 in	1
	21 221	NATURAL FIT HANDRIM 22in	1
	21 226	NATURAL FIT THUMB PIECE 22in	1
14	9001553	Handrim - Natural RI, Standard Grip, 24 in	1
	21 222	NATURAL FIT HANDRIM 24in	1
	21 227	NATURAL FIT THUMB PIECE 24in	1
15	9002849	Handrim - Natural RI, Standard Grip, 25 in	1
	21 223	NATURAL FIT HANDRIM 25in	1
	21 228	NATURAL FIT THUMB PIECE 25in	1
16	9001554	Handrim - Natural RI, Standard Grip, 26 in	1
	21 224	NATURAL FIT HANDRIM 26in	1
	21 229	NATURAL FIT THUMB PIECE 26in	1



Standard Grip

Super Grip

ITEM NO.	PART NO.	DESCRIPTION	QTY
17	9003278	Handrim - Natural RI, Super Grip, 22 in	1
	21 221	NATURAL FIT HANDRIM 22in	1
	21 243	NATURAL FIT SUPER GRIP THUMB PIECE 22in	1
18	9003279	Handrim - Natural RI, Super Grip, 24 in	1
	21 222	NATURAL FIT HANDRIM 24in	1
	21 244	NATURAL FIT SUPER GRIP THUMB PIECE 24in	1
19	9003280	Handrim - Natural RI, Super Grip, 25 in	1
	21 223	NATURAL FIT HANDRIM 25in	1
	21 245	NATURAL FIT SUPER GRIP THUMB PIECE 25in	1
20	9003281	Handrim - Natural RI, Super Grip, 26 in	1
	21 224	NATURAL FIT HANDRIM 26in	1
	21 246	NATURAL FIT SUPER GRIP THUMB PIECE 26in	1
21	9002306	Handrim - Natural RI LT, 22 in	1
22	9002307	Handrim - Natural RI LT, 24 in	1
23	9002147	Handrim - Natural RI LT, 25 in	1
24	9002308	Handrim - Natural RI LT, 26 in	1
25	9003282	Handrim - Natural FR LT, Standard Grip, 22 in	1
	21 272	NATURAL FIT LT HANDRIM 22in	1
	21 226	NATURAL FIT THUMB PIECE 22in	1
26	9003283	Handrim - Natural FR LT, Standard Grip, 24 in	1
	21 273	NATURAL FIT LT HANDRIM 24in	1
	21 227	NATURAL FIT THUMB PIECE 24in	1
27	9003284	Handrim - Natural FR LT, Standard Grip, 25 in	1
	21 274	NATURAL FIT LT HANDRIM 25in	1
	21 228	NATURAL FIT THUMB PIECE 25in	1
28	9003285	Handrim - Natural FR LT, Standard Grip, 26 in	1
	21 275	NATURAL FIT LT HANDRIM 26in	1
	21 229	NATURAL FIT THUMB PIECE 26in	1



The Natural-Fit

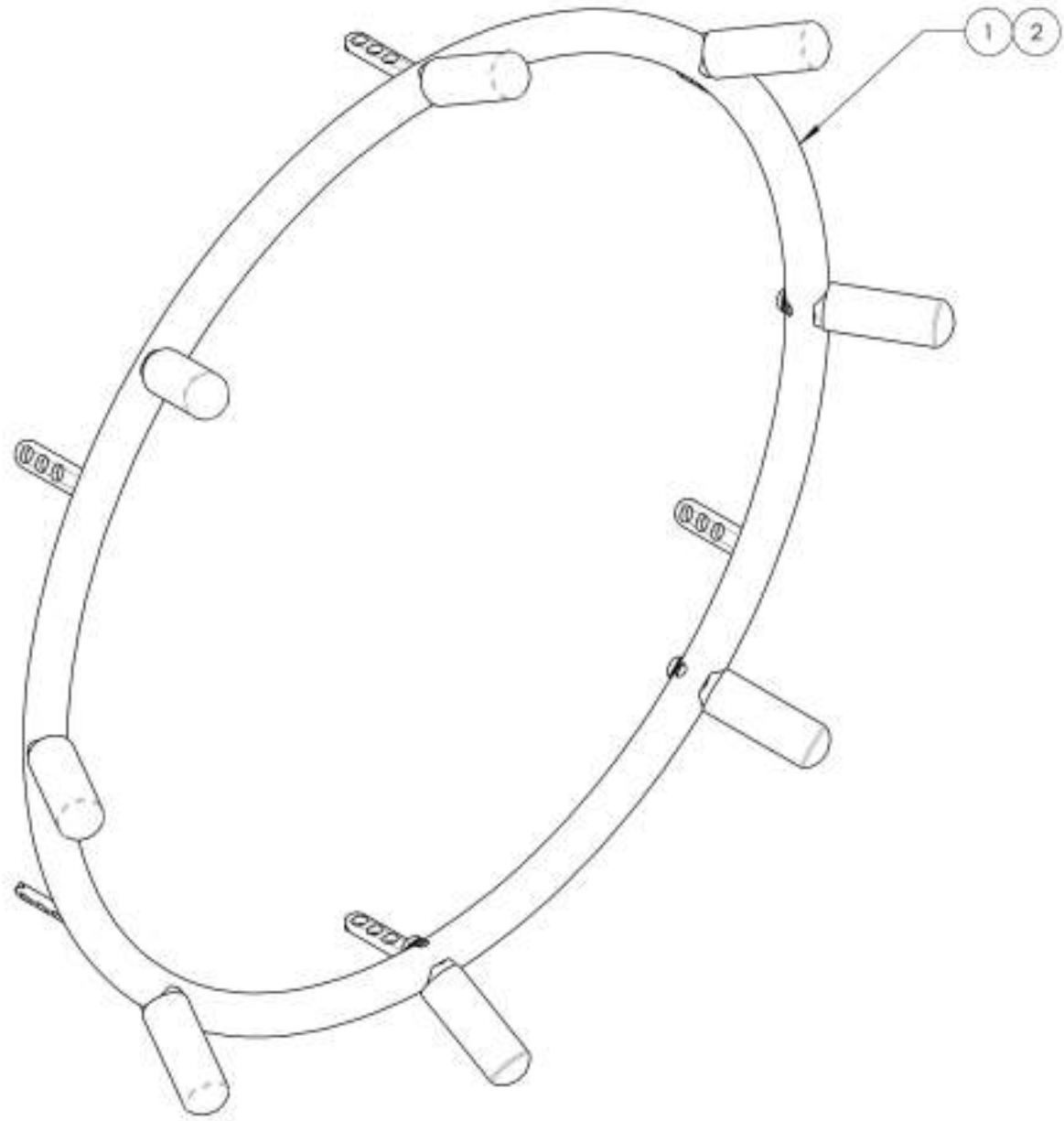
The Natural-Fit LT

MAKE SURE TO HAVE YOUR SERIAL NUMBER NEARBY WHEN ORDERING PARTS FOR YOUR MOTION COMPOSITES WHEELCHAIR



**Rear Wheels Catalogue**  
**Oblique Projection Handrims**

ITEM NO.	PARTNO	DESCRIPTION	QTY
1	9002517	Handrim - Oblique Projection, 22 in	1
2	9002518	Handrim - Oblique Projection, 24 in	1



MAKE SURE TO HAVE YOUR SERIAL NUMBER  
NEARBY WHEN ORDERING PARTS FOR YOUR  
MOTION COMPOSITES WHEELCHAIR

## Rear Wheels Catalogue Newton Air Grip Handrims



BLACK  
NOIR



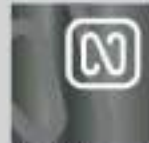
SUN-KISSED ORANGE  
ORANGE TANGERINE



STEEL BLUE  
BLEU ACIER



SKY BLUE  
BLEU CIEL



CHARCOAL  
ANTHRACITE



FERRARI RED  
ROUGE FERRARI



SAPPHIRE BLUE  
BLEU SAPHIRE



WHITE  
BLANC



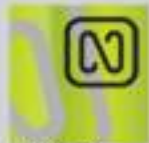
BURGUNDY  
BOURGOGNE



MONSTER GREEN  
VERT MONSTRE



FUCHSIA



ACID GREEN  
VERT ACIDE

ITEM NO.	PARTNO	DESCRIPTION	QTY.	ITEM NO.	PARTNO	DESCRIPTION	QTY.
1	9002962	Handrim - Newton Air Grip, 20 in - Black	1	31	9002992	Handrim - Newton Air Grip, 20 in - Sapphire Blue	1
2	9002963	Handrim - Newton Air Grip, 22 in - Black	1	32	9002993	Handrim - Newton Air Grip, 22 in - Sapphire Blue	1
3	9002964	Handrim - Newton Air Grip, 24 in - Black	1	33	9002994	Handrim - Newton Air Grip, 24 in - Sapphire Blue	1
4	9002965	Handrim - Newton Air Grip, 25 in - Black	1	34	9002995	Handrim - Newton Air Grip, 25 in - Sapphire Blue	1
5	9002966	Handrim - Newton Air Grip, 26 in - Black	1	35	9002996	Handrim - Newton Air Grip, 26 in - Sapphire Blue	1
6	9002967	Handrim - Newton Air Grip, 20 in - Sun-kissed Orange	1	36	9002997	Handrim - Newton Air Grip, 20 in - White	1
7	9002968	Handrim - Newton Air Grip, 22 in - Sun-kissed Orange	1	37	9002998	Handrim - Newton Air Grip, 22 in - White	1
8	9002969	Handrim - Newton Air Grip, 24 in - Sun-kissed Orange	1	38	9002999	Handrim - Newton Air Grip, 24 in - White	1
9	9002970	Handrim - Newton Air Grip, 25 in - Sun-kissed Orange	1	39	9003000	Handrim - Newton Air Grip, 25 in - White	1
10	9002971	Handrim - Newton Air Grip, 26 in - Sun-kissed Orange	1	40	9003001	Handrim - Newton Air Grip, 26 in - White	1
11	9002972	Handrim - Newton Air Grip, 20 in - Steel Blue	1	41	9003002	Handrim - Newton Air Grip, 20 in - Burgundy	1
12	9002973	Handrim - Newton Air Grip, 22 in - Steel Blue	1	42	9003003	Handrim - Newton Air Grip, 22 in - Burgundy	1
13	9002974	Handrim - Newton Air Grip, 24 in - Steel Blue	1	43	9003004	Handrim - Newton Air Grip, 24 in - Burgundy	1
14	9002975	Handrim - Newton Air Grip, 25 in - Steel Blue	1	44	9003005	Handrim - Newton Air Grip, 25 in - Burgundy	1
15	9002976	Handrim - Newton Air Grip, 26 in - Steel Blue	1	45	9003006	Handrim - Newton Air Grip, 26 in - Burgundy	1
16	9002977	Handrim - Newton Air Grip, 20 in - Sky Blue	1	46	9003007	Handrim - Newton Air Grip, 20 in - Monster Green	1
17	9002978	Handrim - Newton Air Grip, 22 in - Sky Blue	1	47	9003008	Handrim - Newton Air Grip, 22 in - Monster Green	1
18	9002979	Handrim - Newton Air Grip, 24 in - Sky Blue	1	48	9003009	Handrim - Newton Air Grip, 24 in - Monster Green	1
19	9002980	Handrim - Newton Air Grip, 25 in - Sky Blue	1	49	9003010	Handrim - Newton Air Grip, 25 in - Monster Green	1
20	9002981	Handrim - Newton Air Grip, 26 in - Sky Blue	1	50	9003011	Handrim - Newton Air Grip, 26 in - Monster Green	1
21	9002982	Handrim - Newton Air Grip, 20 in - Charcoal	1	51	9003012	Handrim - Newton Air Grip, 20 in - Fuchsia	1
22	9002983	Handrim - Newton Air Grip, 22 in - Charcoal	1	52	9003013	Handrim - Newton Air Grip, 22 in - Fuchsia	1
23	9002984	Handrim - Newton Air Grip, 24 in - Charcoal	1	53	9003014	Handrim - Newton Air Grip, 24 in - Fuchsia	1
24	9002985	Handrim - Newton Air Grip, 25 in - Charcoal	1	54	9003015	Handrim - Newton Air Grip, 25 in - Fuchsia	1
25	9002986	Handrim - Newton Air Grip, 26 in - Charcoal	1	55	9003016	Handrim - Newton Air Grip, 26 in - Fuchsia	1
26	9002987	Handrim - Newton Air Grip, 20 in - Ferrari Red	1	56	9003017	Handrim - Newton Air Grip, 20 in - Acid Green	1
27	9002988	Handrim - Newton Air Grip, 22 in - Ferrari Red	1	57	9003018	Handrim - Newton Air Grip, 22 in - Acid Green	1
28	9002989	Handrim - Newton Air Grip, 24 in - Ferrari Red	1	58	9003019	Handrim - Newton Air Grip, 24 in - Acid Green	1
29	9002990	Handrim - Newton Air Grip, 25 in - Ferrari Red	1	59	9003020	Handrim - Newton Air Grip, 25 in - Acid Green	1
30	9002991	Handrim - Newton Air Grip, 26 in - Ferrari Red	1	60	9003021	Handrim - Newton Air Grip, 26 in - Acid Green	1

### CUTTING FEES

Only Available for 20, 24, 25 & 26 in Handrim

**9003632**

Handrim Tabs cutting, Narrow Position

**9003633**

Handrim Tabs cutting, Super Narrow Position

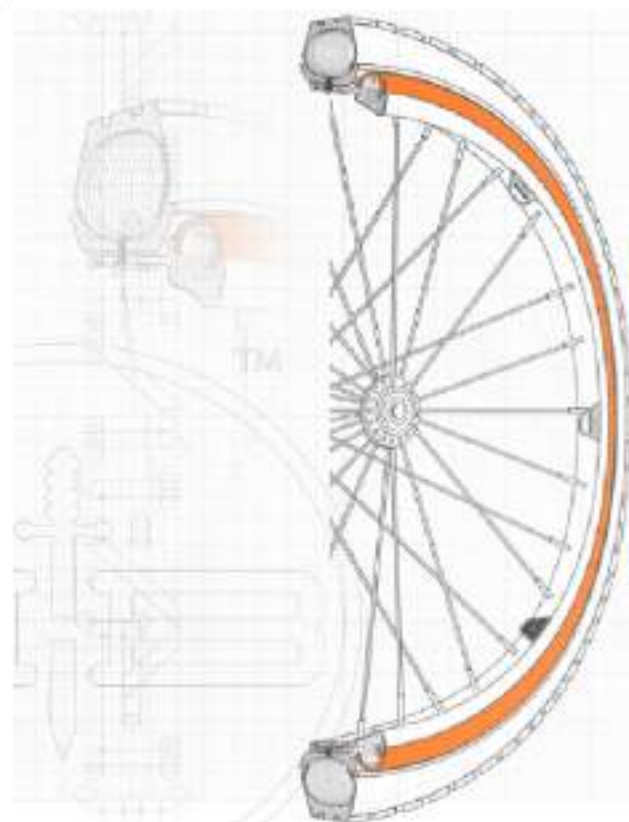
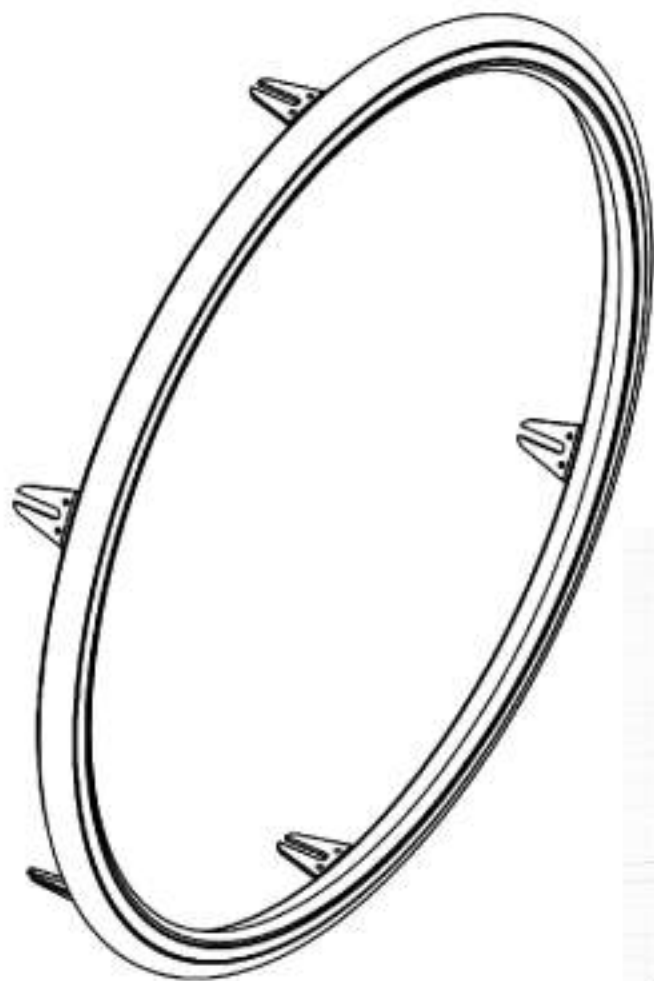
### HANDRIM TAB STICKERS

**9003634**

Contact Joint Stickers for Handrim Tabs

MAKE SURE TO HAVE YOUR SERIAL NUMBER  
NEARBY WHEN ORDERING PARTS FOR YOUR  
MOTION COMPOSITES WHEELCHAIR

**Rear Wheels Catalogue**  
**BBraver Handrims**



ITEM NO.	PART NO.	DESCRIPTION	QTY.
1	9002532	BBraver - Rough Rider Handrim, 24 in. White, Short (Pair) (RW-S-WW-24)	1
2	9002533	BBraver - Rough Rider Handrim, 24 in. White, Long (Pair) (RW-L-WW-24)	1
3	9002534	BBraver - Rough Rider Handrim, 25 in. White, Short (Pair) (RW-S-WW-25)	1
4	9002535	BBraver - Rough Rider Handrim, 25 in. White, Long (Pair) (RW-L-WW-25)	1
5	9002536	BBraver - Rough Rider Handrim, 24 in. Orange, Short (Pair) (RO-S-OB-24)	1
6	9002537	BBraver - Rough Rider Handrim, 24 in. Orange, Long (Pair) (RO-L-OB-24)	1
7	9002538	BBraver - Rough Rider Handrim, 25 in. Orange, Short (Pair) (RO-S-OB-25)	1
8	9002539	BBraver - Rough Rider Handrim, 25 in. Orange, Long (Pair) (RO-L-OB-25)	1
9	9002540	BBraver - Rough Rider Handrim, 24 in. Black, Short (Pair) (RB-S-OB-24)	1
10	9002541	BBraver - Rough Rider Handrim, 24 in. Black, Long (Pair) (RB-L-OB-24)	1
11	9002542	BBraver - Rough Rider Handrim, 25 in. Black, Short (Pair) (RB-S-OB-25)	1
12	9002543	BBraver - Rough Rider Handrim, 25 in. Black, Long (Pair) (RB-L-OB-25)	1
13	9002544	BBraver - Rough Rider Handrim, 26 in. Black, Short (Pair) (RB-S-OB-26)	1
14	9002545	BBraver - Rough Rider Handrim, 26 in. Black, Long (Pair) (RB-L-OB-26)	1

MAKE SURE TO HAVE YOUR SERIAL NUMBER  
 NEARBY WHEN ORDERING PARTS FOR YOUR  
 MOTION COMPOSITES WHEELCHAIR

**Rear Wheels Catalogue  
Handrim Hardwares**

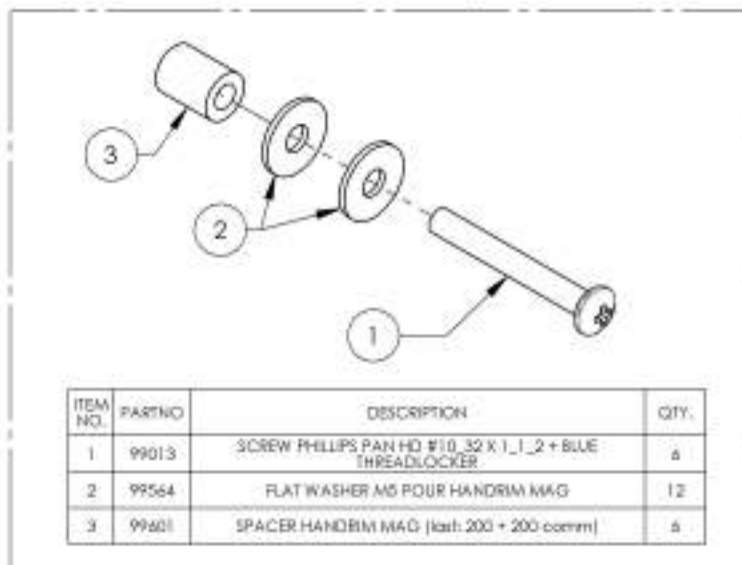
ITEM NO.	PARTNO	DESCRIPTION	QTY.
1	9001006	Handrim - Installation Hardware for Mag 20 in.	1
2	9001558	Handrim - Installation Hardware for Mag 22 & 24 in.	1
3	9001559	Handrim - Installation Hardware for Newton One	1
4	9001560	Handrim - Installation Hardware For Newton Gravity, Spinerge LX, Spinerge SPOX	1



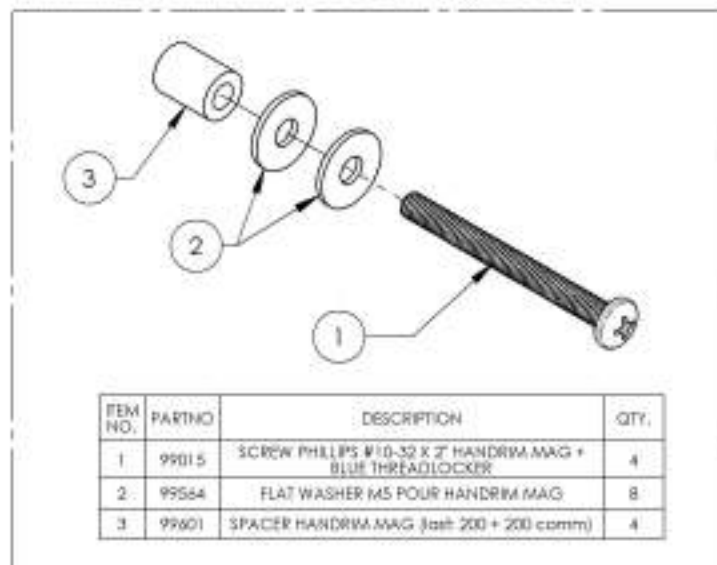
MAKE SURE TO HAVE YOUR SERIAL NUMBER  
NEARBY WHEN ORDERING PARTS FOR YOUR  
MOTION COMPOSITES WHEELCHAIR

**9001006 & 9001558\_9001560**  
**Handrim - Installation Hardware**

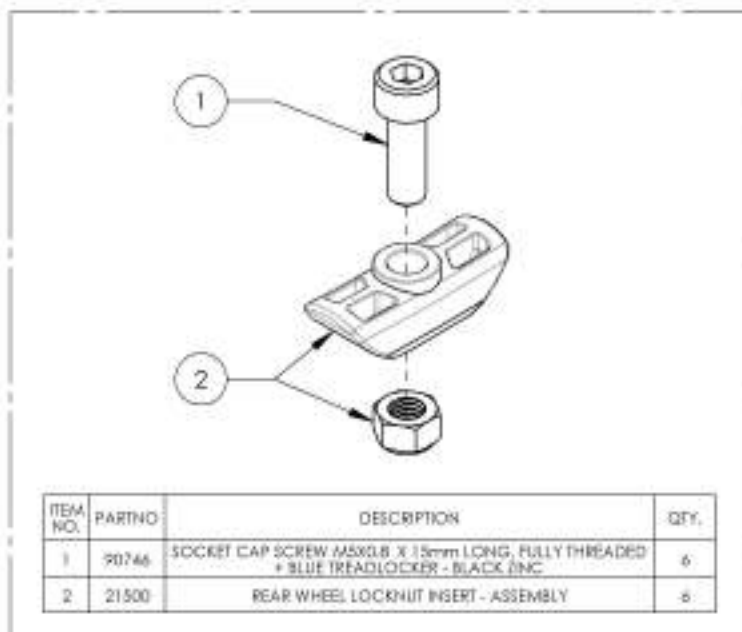
9001006  
 Handrim - Installation Hardware for Mag 20 in



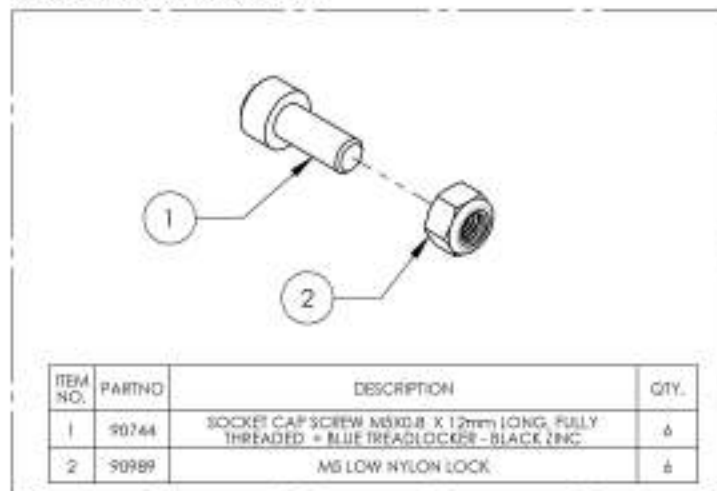
9001558  
 Handrim - Installation Hardware for Mag 22 & 24 in



9001559  
 Handrim - Installation Hardware For Newton One



9001560  
 Handrim - Installation Hardware For Newton Gravity, Spinerigy LX, Spinerigy SPOX

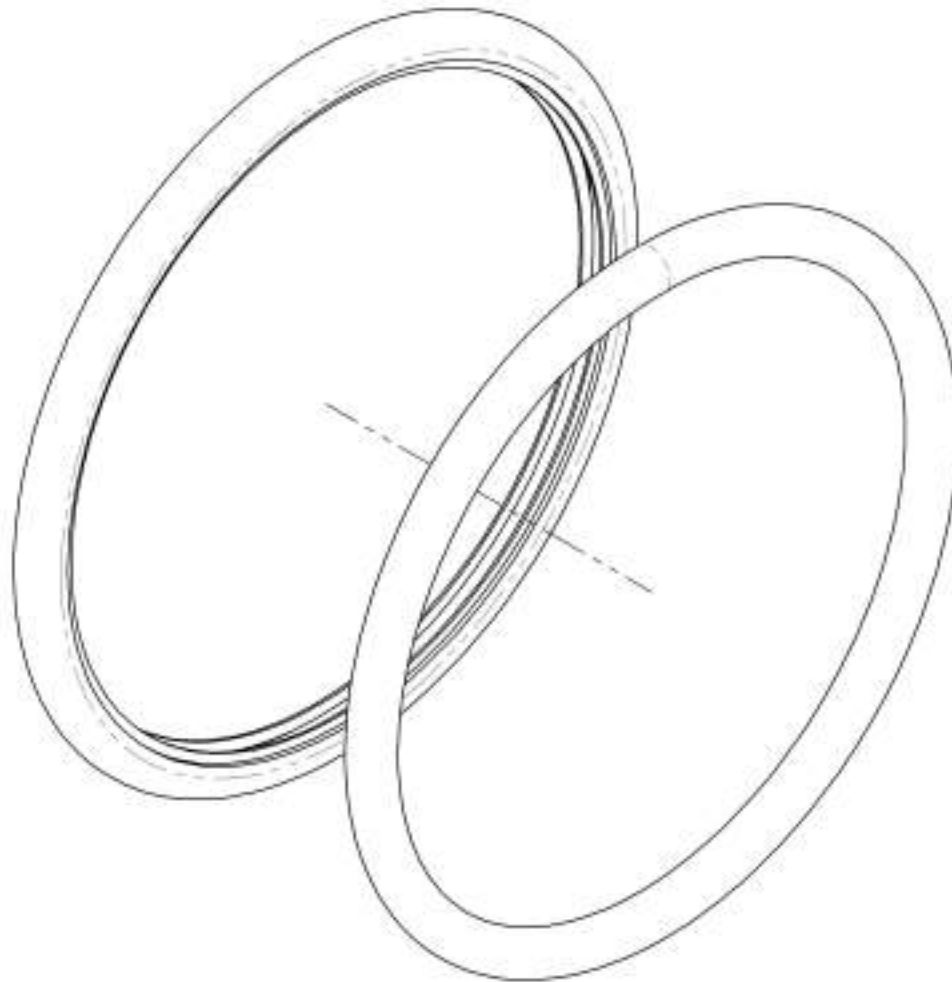


MAKE SURE TO HAVE YOUR SERIAL NUMBER NEARBY WHEN ORDERING PARTS FOR YOUR MOTION COMPOSITES WHEELCHAIR



**Rear Wheels Catalogue**  
**Flat Free Inserts for Pneumatics 1 3/8 in**

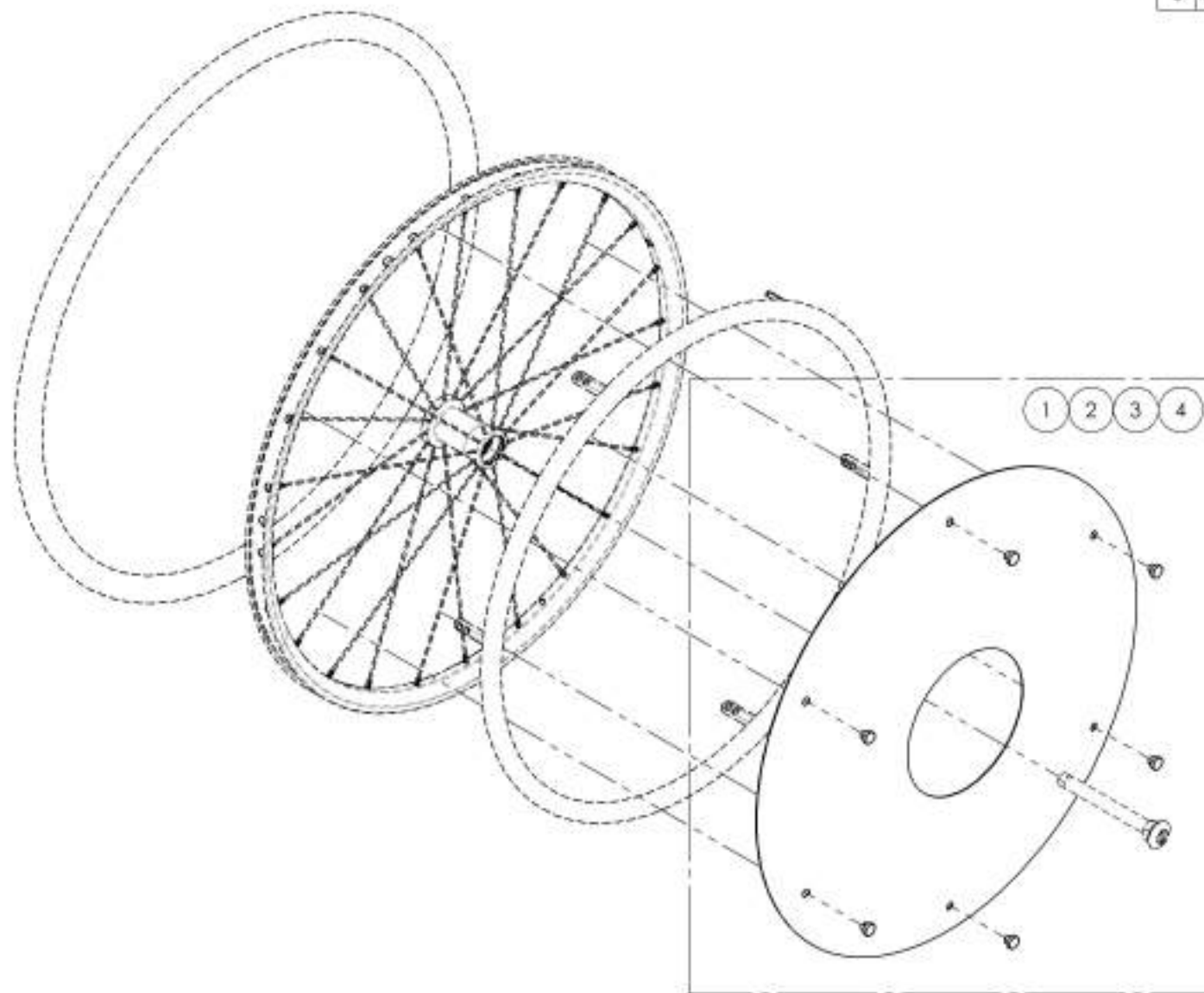
ITEM NO.	PART NO.	DESCRIPTION	QTY
1	9022409	Rear Wheel - Flat Free Insert, Pneumatic Tires 1 3/8 in, 22 in	1
	21371	FLAT FREE INSERT 22 x 1-3/8 in	1
	21316	PNEUMATIC TIRE 22x1-3/8in	1
2	9022410	Rear Wheel - Flat Free Insert, Pneumatic Tires 1 3/8 in, 24 in	1
	21372	FLAT FREE INSERT 24 x 1-3/8 in	1
	21317	PNEUMATIC TIRE 24x1-3/8in	1



MAKE SURE TO HAVE YOUR SERIAL NUMBER  
NEARBY WHEN ORDERING PARTS FOR YOUR  
MOTION COMPOSITES WHEELCHAIR

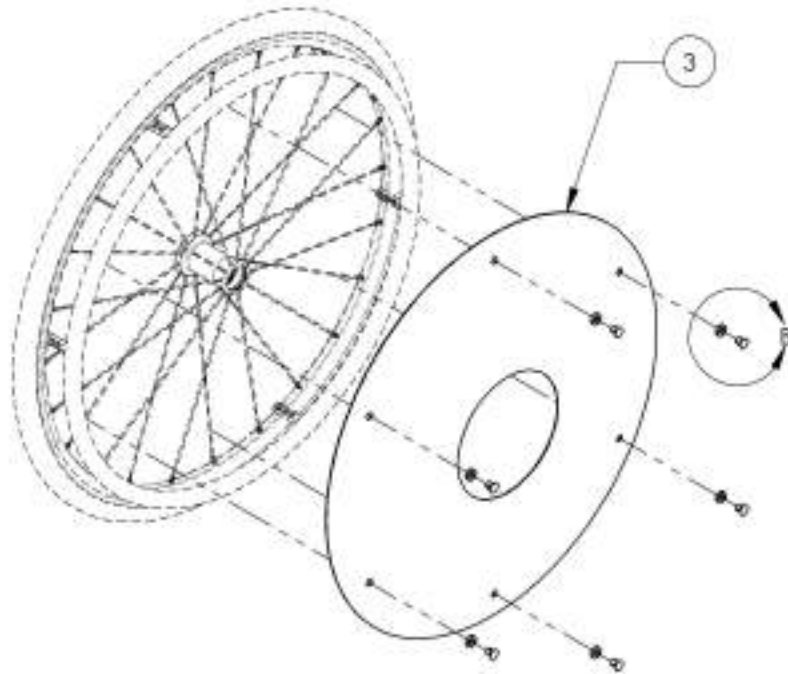
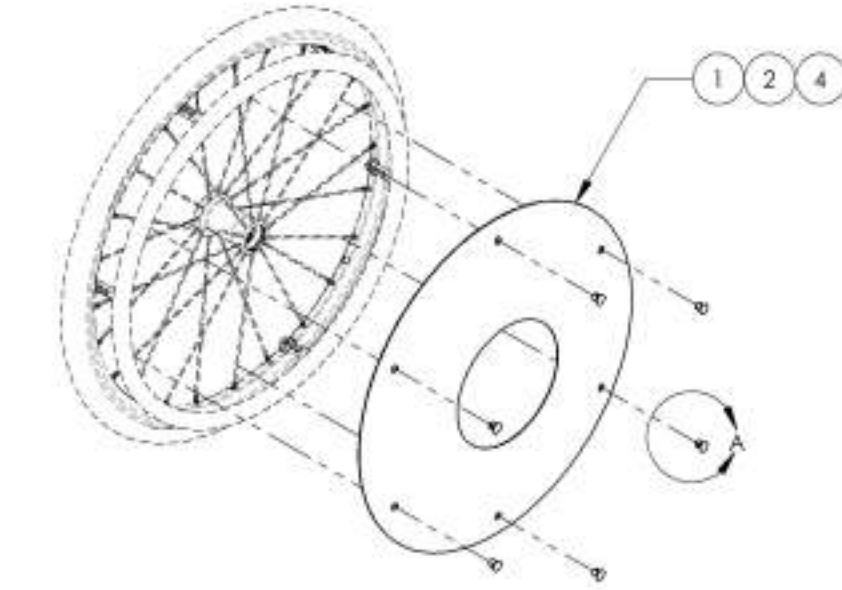
**Rear Wheels Catalogue  
Spoke Guards**

ITEM NO.	PARTNO	DESCRIPTION	QTY.
1	9001629	Spoke Guard - 20 in	1
2	9001630	Spoke Guard - 22 in	1
3	9001631	Spoke Guard - 24 in	1
4	9001632	Spoke Guard - 26 in	1

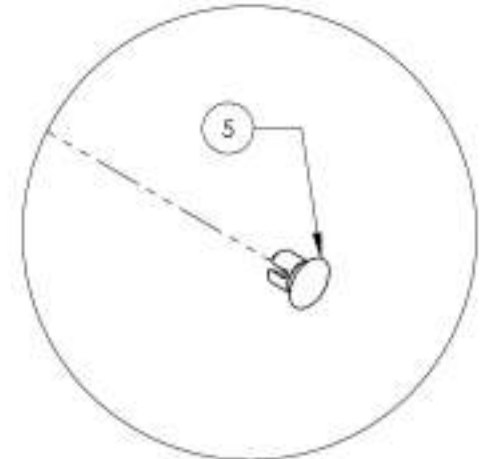


MAKE SURE TO HAVE YOUR SERIAL NUMBER  
NEARBY WHEN ORDERING PARTS FOR YOUR  
MOTION COMPOSITES WHEELCHAIR

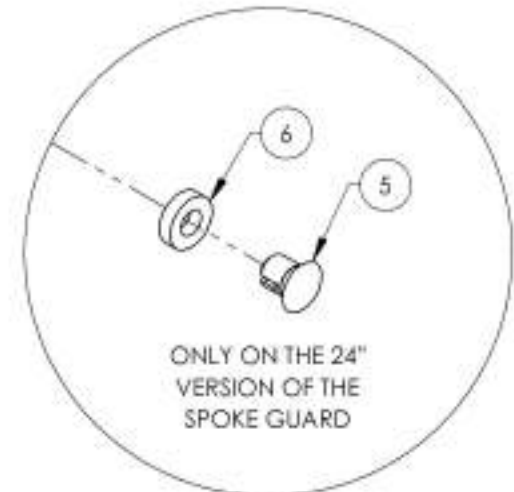
**9001629\_9001632**  
**Spoke Guards**



ITEM NO.	PARTNO	DESCRIPTION	9001629 /QTY.	9001630 /QTY.	9001631 /QTY.	9001632 /QTY.
1	51019	SPOKE GUARD 20in	1	-	-	-
2	51020	SPOKE GUARD 22in	-	1	-	-
3	51021	SPOKE GUARD 24in	-	-	1	-
4	51025	SPOKE GUARD 26in	-	-	-	1
5	51034	SPOKE SHIELD CUP	6	6	6	6
6	51033	SPOKE SHIELD CUP WASHER	-	-	6	-



DETAIL A  
 SCALE 5 : 8



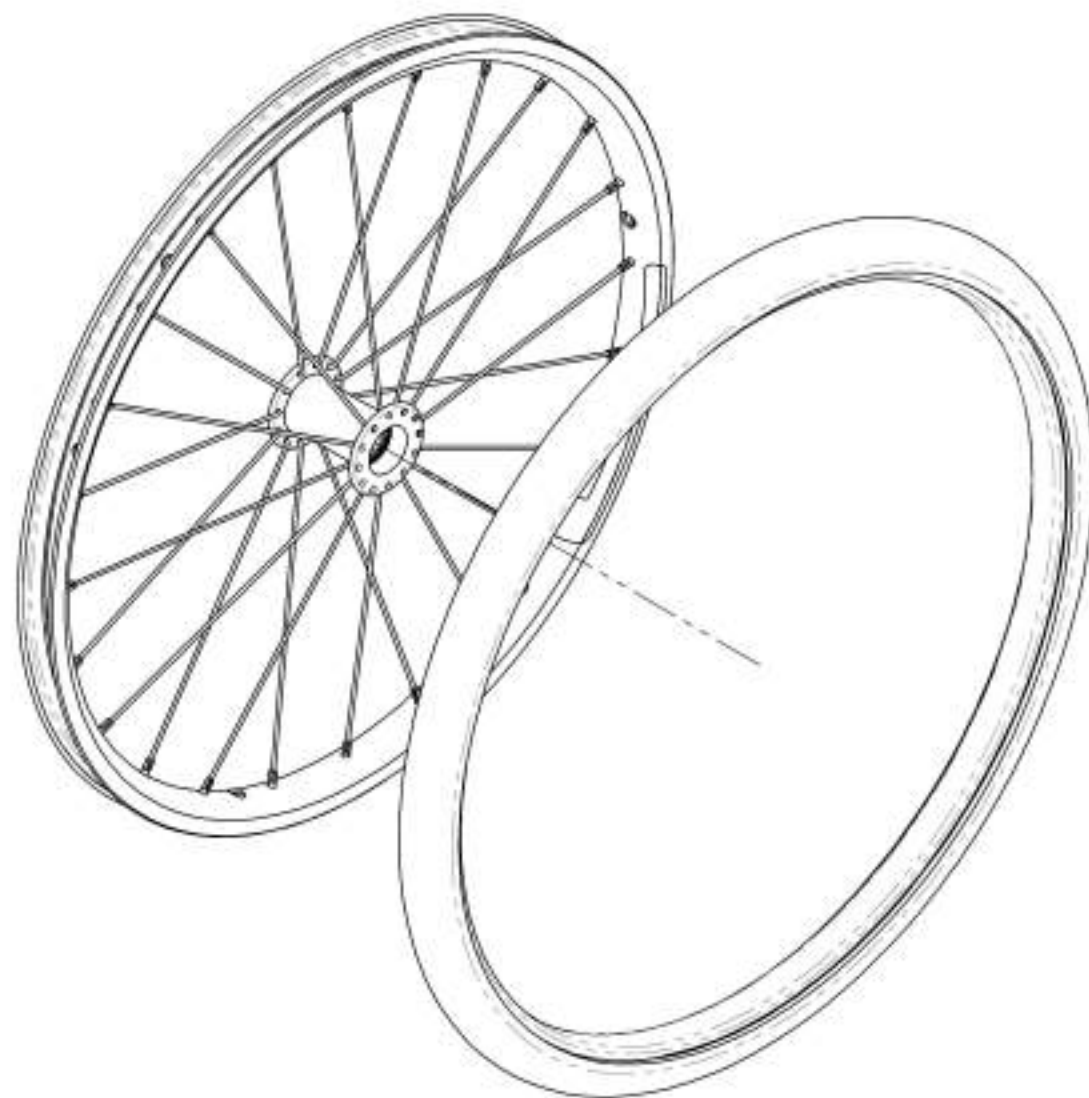
ONLY ON THE 24"  
 VERSION OF THE  
 SPOKE GUARD

DETAIL B  
 SCALE 5 : 8

MAKE SURE TO HAVE YOUR SERIAL NUMBER  
 NEARBY WHEN ORDERING PARTS FOR YOUR  
 MOTION COMPOSITES WHEELCHAIR



**Rear Wheels Catalogue**  
**Rear Wheels + Tires**



ITEM NO.	PARTNO	DESCRIPTION	QTY
1	9002499	Rear Wheel - Newton One + Soft Urethane Tire 20 in	1
2	9002500	Rear Wheel - Newton One + Soft Urethane Tire 22 in	1
3	9002501	Rear Wheel - Newton One + Soft Urethane Tire 24 in	1
4	9002502	Rear Wheel - Newton Gravity + Soft Urethane Tire 20 in	1
5	9002503	Rear Wheel - Newton Gravity + Soft Urethane Tire 22 in	1
6	9002504	Rear Wheel - Newton Gravity + Soft Urethane Tire 24 in	1
7	9002497	Rear Wheel - Newton One + HP, 20 in	1
8	9002505	Rear Wheel - Newton One + HP, 22 in	1
9	9002506	Rear Wheel - Newton One + HP, 24 in	1
10	9002507	Rear Wheel - Newton Gravity + HP, 20 in	1
11	9002508	Rear Wheel - Newton Gravity + HP, 22 in	1
12	9002509	Rear Wheel - Newton Gravity + HP, 24 in	1
13	9002519	Rear Wheel - Newton Gravity + HP, 25 in	1
14	9002510	Rear Wheel - Newton Gravity + HP, 26 in	1
15	9002498	Rear Wheel - Newton One + Standard Pressure, 20 in	1
16	9002511	Rear Wheel - Newton One + Standard Pressure, 22 in	1
17	9002512	Rear Wheel - Newton One + Standard Pressure, 24 in	1
18	9002513	Rear Wheel - Newton Gravity + Standard Pressure, 20 in	1
19	9002514	Rear Wheel - Newton Gravity + Standard Pressure, 22 in	1
20	9002515	Rear Wheel - Newton Gravity + Standard Pressure, 24 in	1
21	9002520	Rear Wheel - Newton Gravity + Standard Pressure, 25 in	1
22	9002516	Rear Wheel - Newton Gravity + Standard Pressure, 26 in	1

**BEARING REPLACEMENT**

**FOR ALL REAR WHEELS**

Part#: **22011**

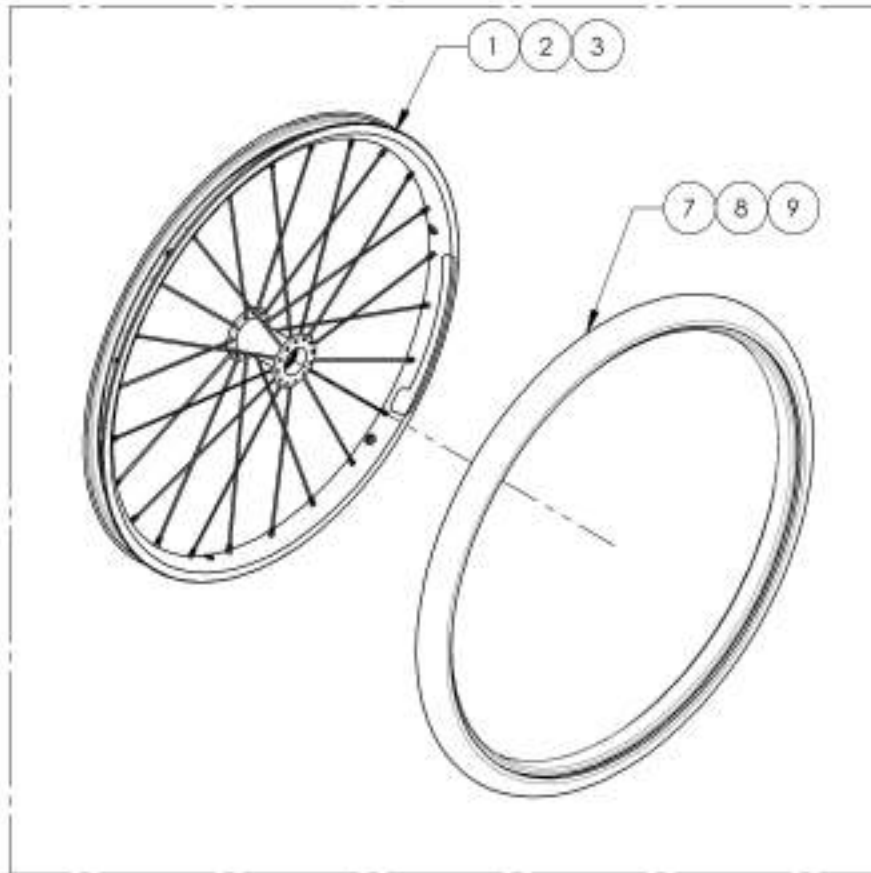
MAKE SURE TO HAVE YOUR SERIAL NUMBER  
 NEARBY WHEN ORDERING PARTS FOR YOUR  
 MOTION COMPOSITES WHEELCHAIR

**9002499\_9002504**  
**Rear Wheel + Soft Urethane Tire**

ITEM NO.	PARTNO	DESCRIPTION	9002499 /QTY.	9002500 /QTY.	9002501 /QTY.	9002502 /QTY.	9002503 /QTY.	9002504 /QTY.
1	21118	20 in NEWTON ONE WHEEL	1	-	-	-	-	-
2	21110	22 in NEWTON ONE WHEEL	-	1	-	-	-	-
3	21111	24 in NEWTON ONE WHEEL	-	-	1	-	-	-
4	21113	20" NEWTON GRAVITY WHEEL	-	-	-	1	-	-
5	21114	22" NEWTON GRAVITY WHEEL	-	-	-	-	1	-
6	21115	24" NEWTON GRAVITY WHEEL	-	-	-	-	-	1
7	21365	20" URETHANE TIRE	1	-	-	1	-	-
8	21366	22" URETHANE TIRE	-	1	-	-	1	-
9	21367	24" URETHANE TIRE	-	-	1	-	-	1

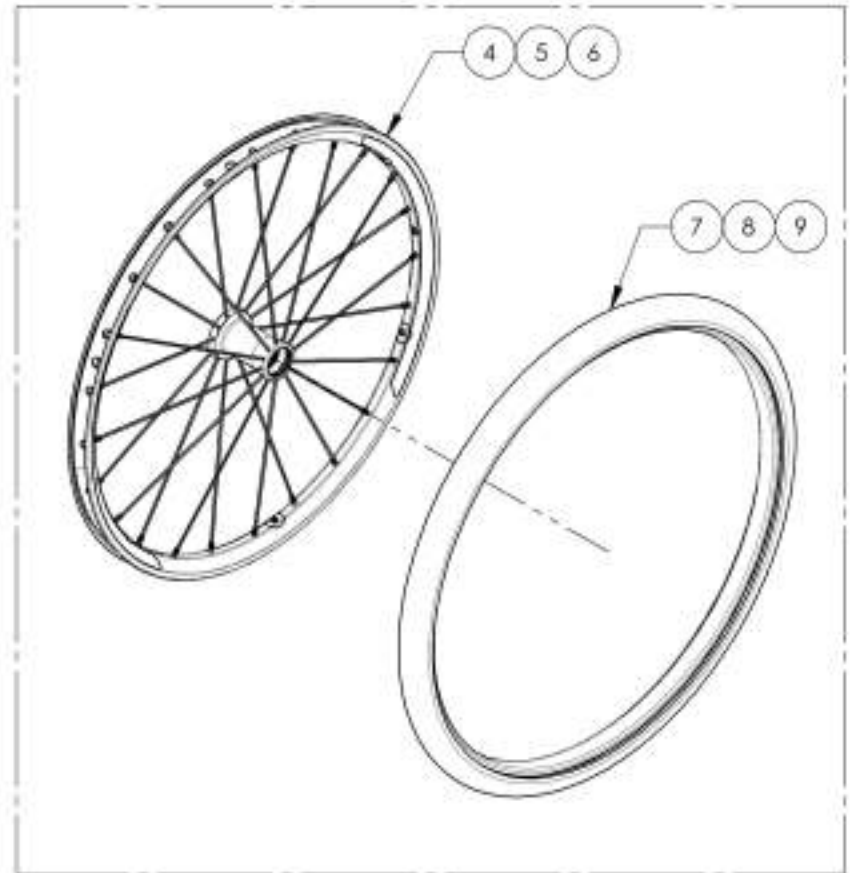
**NEWTON ONE**

9002499, 9002500 & 9002501



**NEWTON GRAVITY**

9002502, 9002503 & 9002504



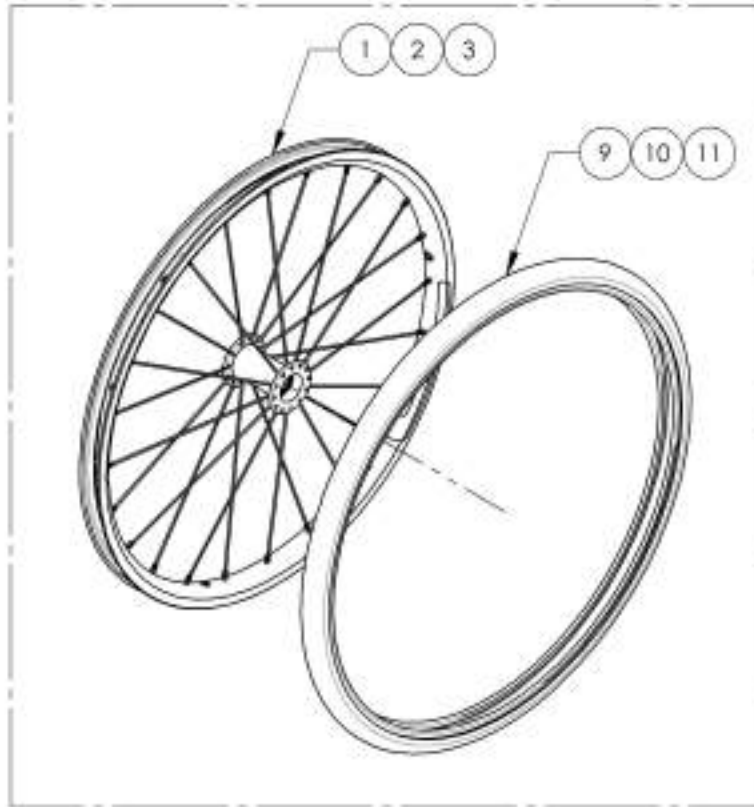
MAKE SURE TO HAVE YOUR SERIAL NUMBER NEARBY WHEN ORDERING PARTS FOR YOUR MOTION COMPOSITES WHEELCHAIR

**9002497 & 9002505 9002510 & 9002519**  
**Rear Wheel + HP Tire**

ITEM NO.	PART NO	DESCRIPTION	9002497 /QTY.	9002505 /QTY.	9002506 /QTY.	9002507 /QTY.	9002508 /QTY.	9002509 /QTY.	9002510 /QTY.	9002519 /QTY.
1	21118	20 in NEWTON ONE WHEEL	1	-	-	-	-	-	-	-
2	21110	22 in NEWTON ONE WHEEL	-	1	-	-	-	-	-	-
3	21111	24 in NEWTON ONE WHEEL	-	-	1	-	-	-	-	-
4	21113	20" NEWTON GRAVITY WHEEL	-	-	-	1	-	-	-	-
5	21114	22" NEWTON GRAVITY WHEEL	-	-	-	-	1	-	-	-
6	21115	24" NEWTON GRAVITY WHEEL	-	-	-	-	-	1	-	-
7	21116	25" NEWTON GRAVITY WHEEL	-	-	-	-	-	-	1	-
8	21117	26" NEWTON GRAVITY WHEEL	-	-	-	-	-	-	-	1
9	21305	IRONCAP/RIGHTRUN 1" HP TIRE 20"	1	-	-	1	-	-	-	-
10	21306	IRONCAP/RIGHTRUN 1" HP TIRE 22"	-	1	-	-	1	-	-	-
11	21307	IRONCAP/RIGHTRUN 1" HP TIRE 24"	-	-	1	-	-	1	-	-
12	21308	IRONCAP/RIGHTRUN 1" HP TIRE 25"	-	-	-	-	-	-	1	-
13	21309	IRONCAP/RIGHTRUN 1" HP TIRE 26"	-	-	-	-	-	-	-	1

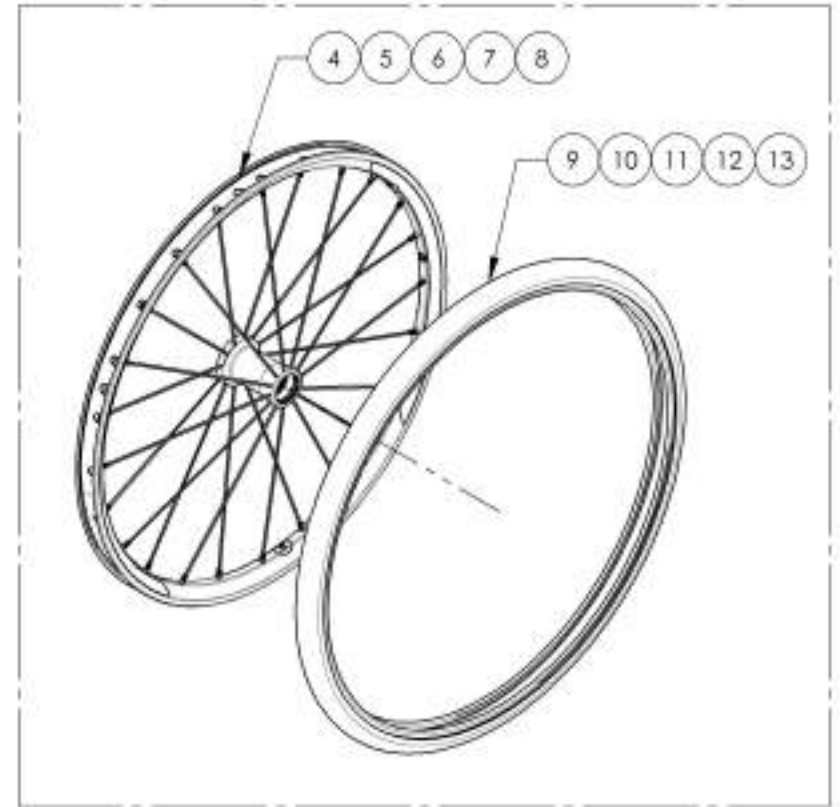
**NEWTON ONE**

9002497, 9002505 & 9002506



**NEWTON GRAVITY**

9002507, 9002508, 9002509 & 9002510



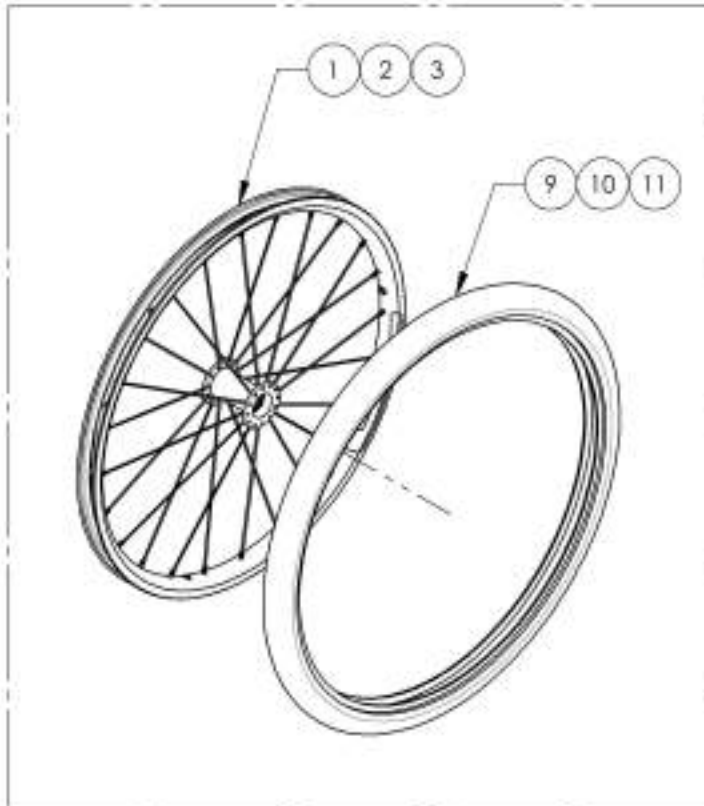
MAKE SURE TO HAVE YOUR SERIAL NUMBER NEARBY WHEN ORDERING PARTS FOR YOUR MOTION COMPOSITES WHEELCHAIR

**9002498 & 9002511 9002516 & 9002520**  
**Rear Wheel + Standard Pressure Tire**

ITEM NO.	PARTNO	DESCRIPTION	9002498 /QTY.	9002511 /QTY.	9002512 /QTY.	9002513 /QTY.	9002514 /QTY.	9002515 /QTY.	9002520 /QTY.	9002516 /QTY.
1	21118	20in NEWTON ONE WHEEL	1	-	-	-	-	-	-	-
2	21110	22in NEWTON ONE WHEEL	-	1	-	-	-	-	-	-
3	21111	24in NEWTON ONE WHEEL	-	-	1	-	-	-	-	-
4	21113	20" NEWTON GRAVITY WHEEL	-	-	-	1	-	-	-	-
5	21114	22" NEWTON GRAVITY WHEEL	-	-	-	-	1	-	-	-
6	21115	24" NEWTON GRAVITY WHEEL	-	-	-	-	-	1	-	-
7	21116	25" NEWTON GRAVITY WHEEL	-	-	-	-	-	-	1	-
8	21117	26" NEWTON GRAVITY WHEEL	-	-	-	-	-	-	-	1
9	21315	20"x1 1/2" PNEUMATIC TIRE	1	-	-	1	-	-	-	-
10	21316	22"x1 1/2" PNEUMATIC TIRE	-	1	-	-	1	-	-	-
11	21317	24"x1 1/2" PNEUMATIC TIRE	-	-	1	-	-	1	-	-
12	21318	25"x1 1/2" PNEUMATIC TIRE	-	-	-	-	-	-	1	-
13	21319	26"x1 1/2" PNEUMATIC TIRE	-	-	-	-	-	-	-	1

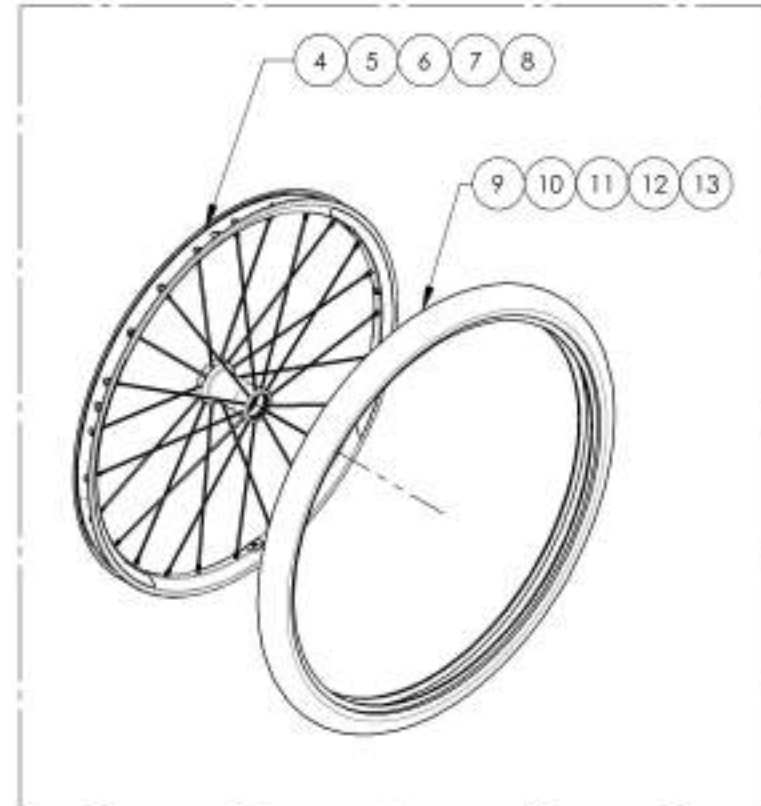
**NEWTON ONE**

9002498, 9002511 & 9002512



**NEWTON GRAVITY**

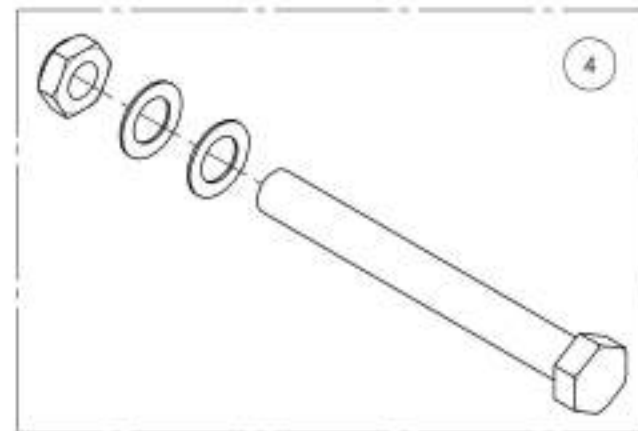
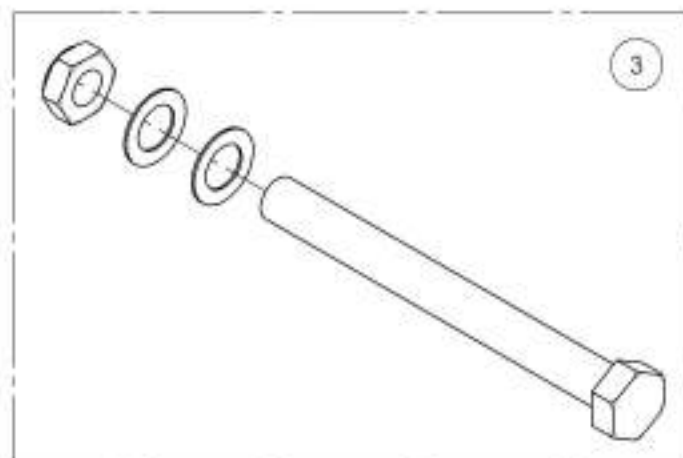
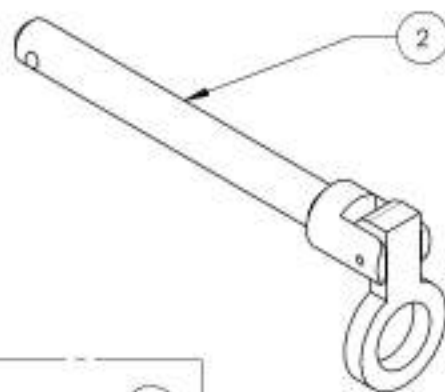
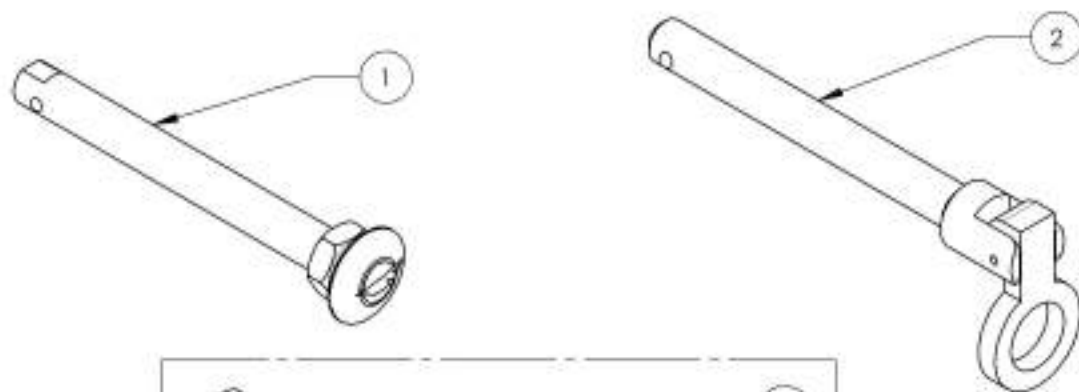
9002513, 9002514, 9002515, 9002520 & 9002516



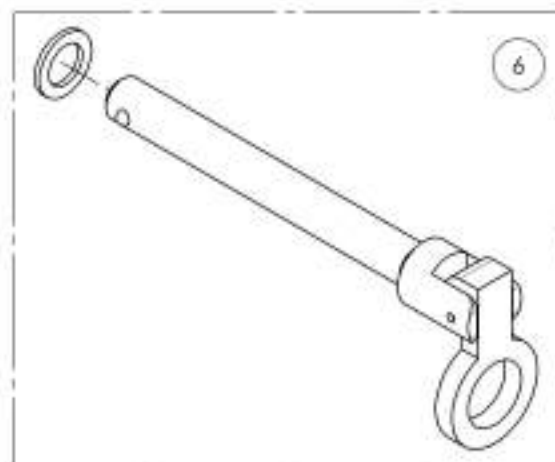
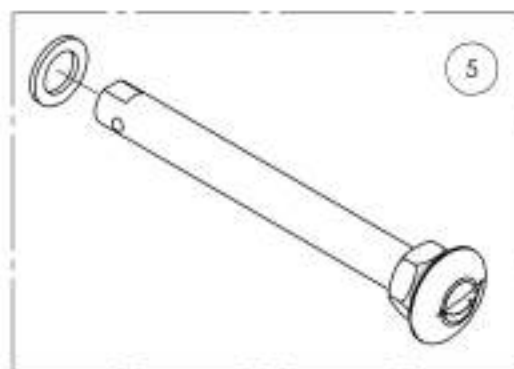
MAKE SURE TO HAVE YOUR SERIAL NUMBER NEARBY WHEN ORDERING PARTS FOR YOUR MOTION COMPOSITES WHEELCHAIR

**Rear Wheels Catalogue**  
**Quick Release & Permanent Axles**

ITEM NO.	PARTNO	DESCRIPTION	QTY.
1	9001561	Wheel Axle - Quick Release	1
2	9001563	Wheel Axle - Quick Release	1
3	9001562	Wheel Axle - Permanent for Mag Wheels	1
4	9002956	Wheel Axle - Permanent	1
5	9002896	Wheel Axle - Quick Release, for Spinegy Spox & LX Wheels	1
6	9002897	Wheel Axle - Quick Release, for Spinegy Spox & LX Wheels	1



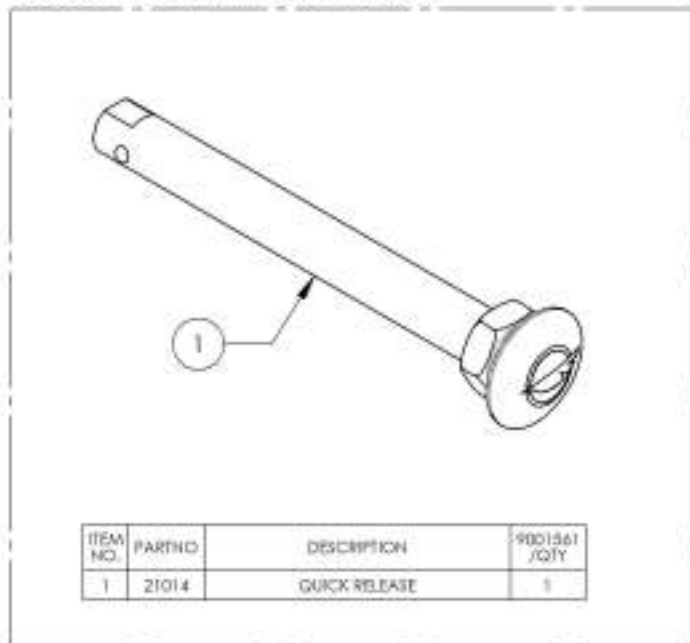
**FOR SPINERGY SPOX & LX WHEELS ONLY**



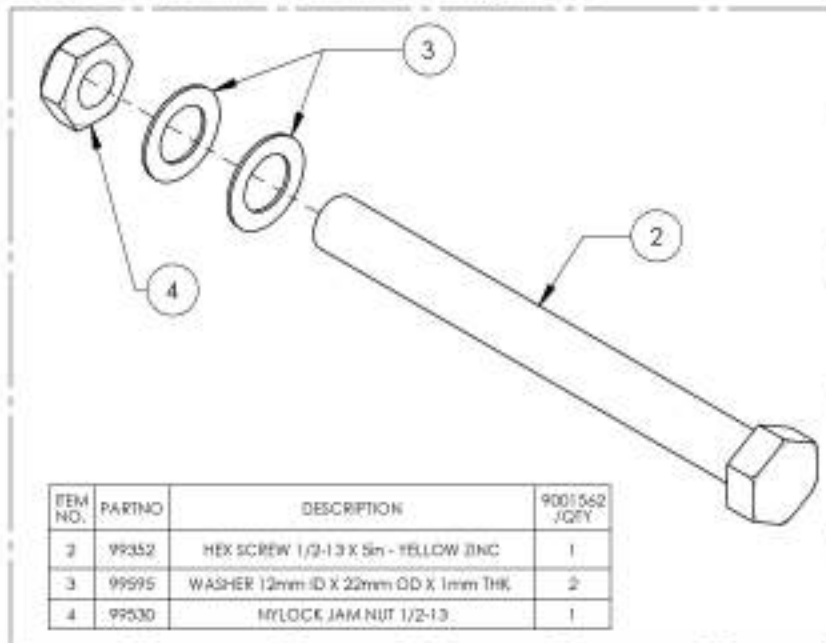
MAKE SURE TO HAVE YOUR SERIAL NUMBER  
 NEARBY WHEN ORDERING PARTS FOR YOUR  
 MOTION COMPOSITES WHEELCHAIR

**9001561\_9001563 & 9002956**  
**Wheel Axles**

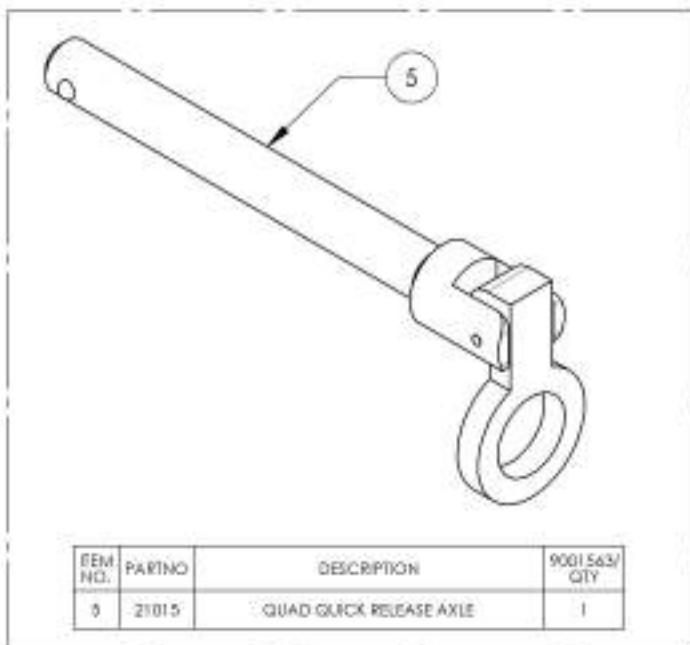
9001561 - Wheel Axle - Quick Release



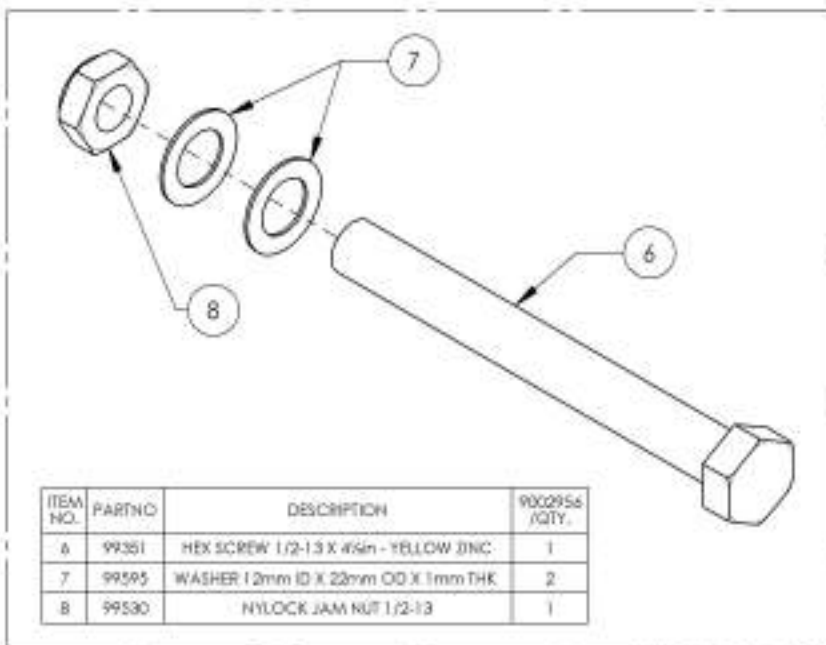
9001562 - Wheel Axle - Permanent for Mag Wheels



9001563 - Wheel Axle - Quad Release



9002956 - Wheel Axle - Permanent

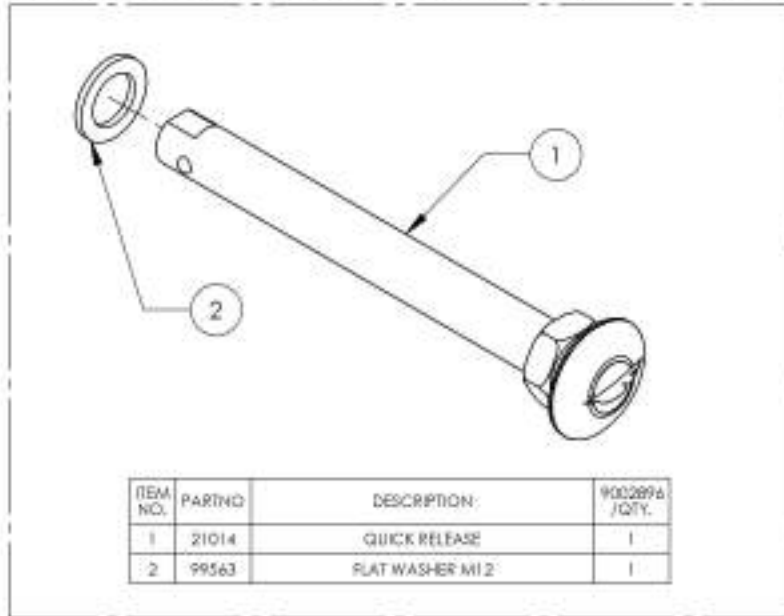


MAKE SURE TO HAVE YOUR SERIAL NUMBER NEARBY WHEN ORDERING PARTS FOR YOUR MOTION COMPOSITES WHEELCHAIR

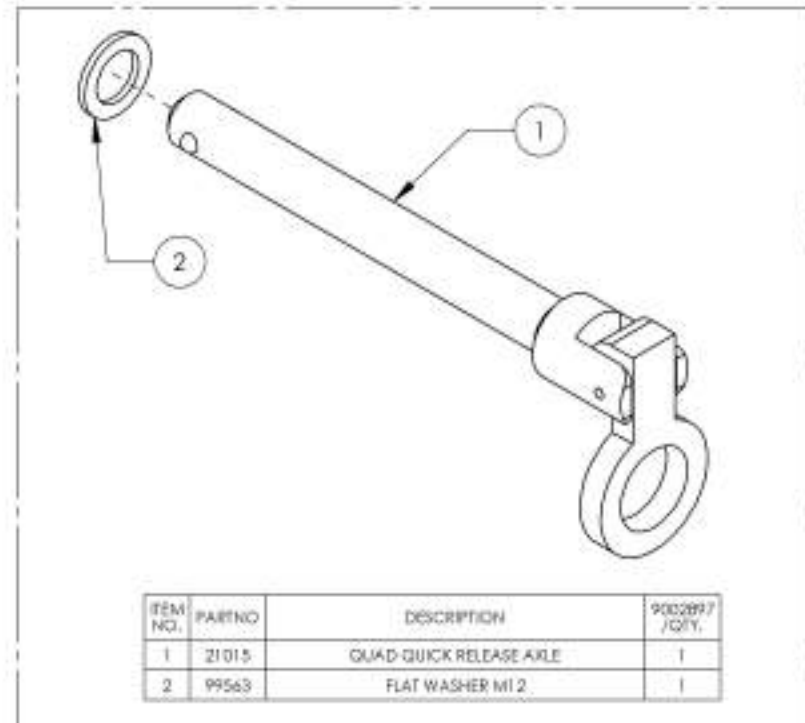
**9002896\_9002897**

**Wheel Axles for Spinerger SPOX & LX Wheels**

9002896 - Wheel Axle - Quick Release, for Spinerger Spox & LX Wheels



9002897 - Wheel Axle - Quad Release, for Spinerger Spox & LX Wheels

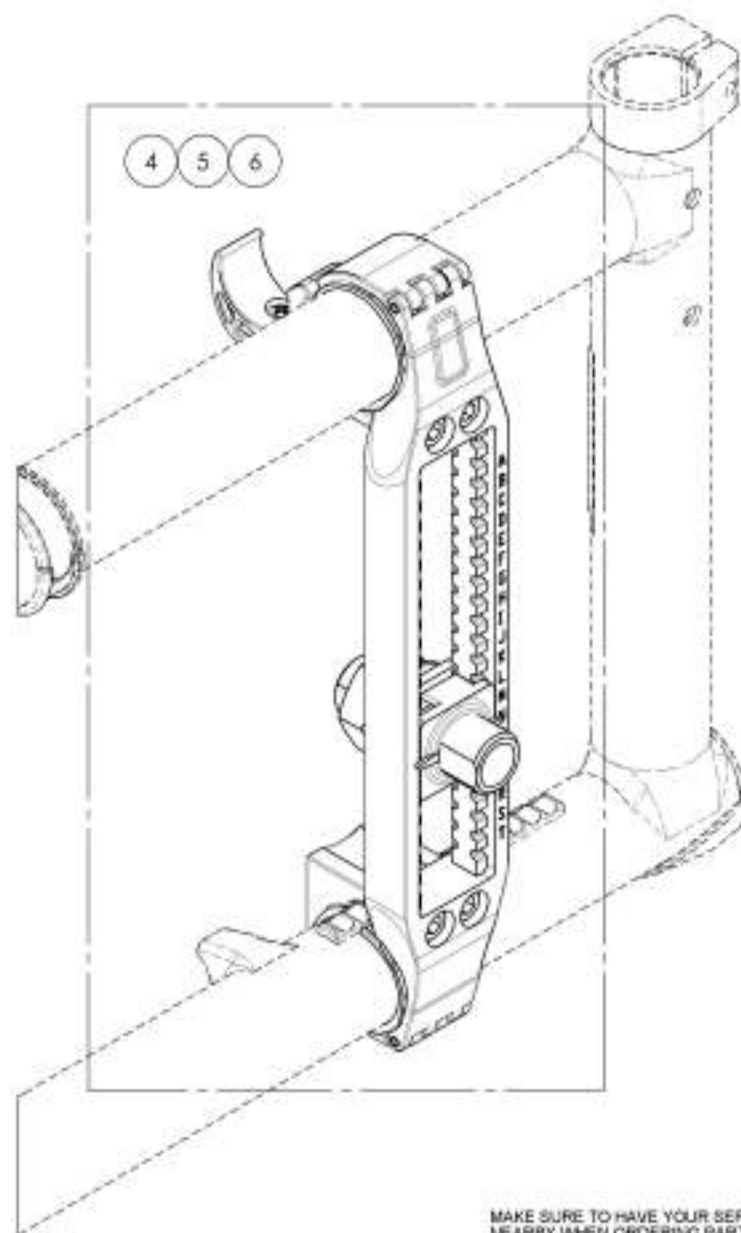
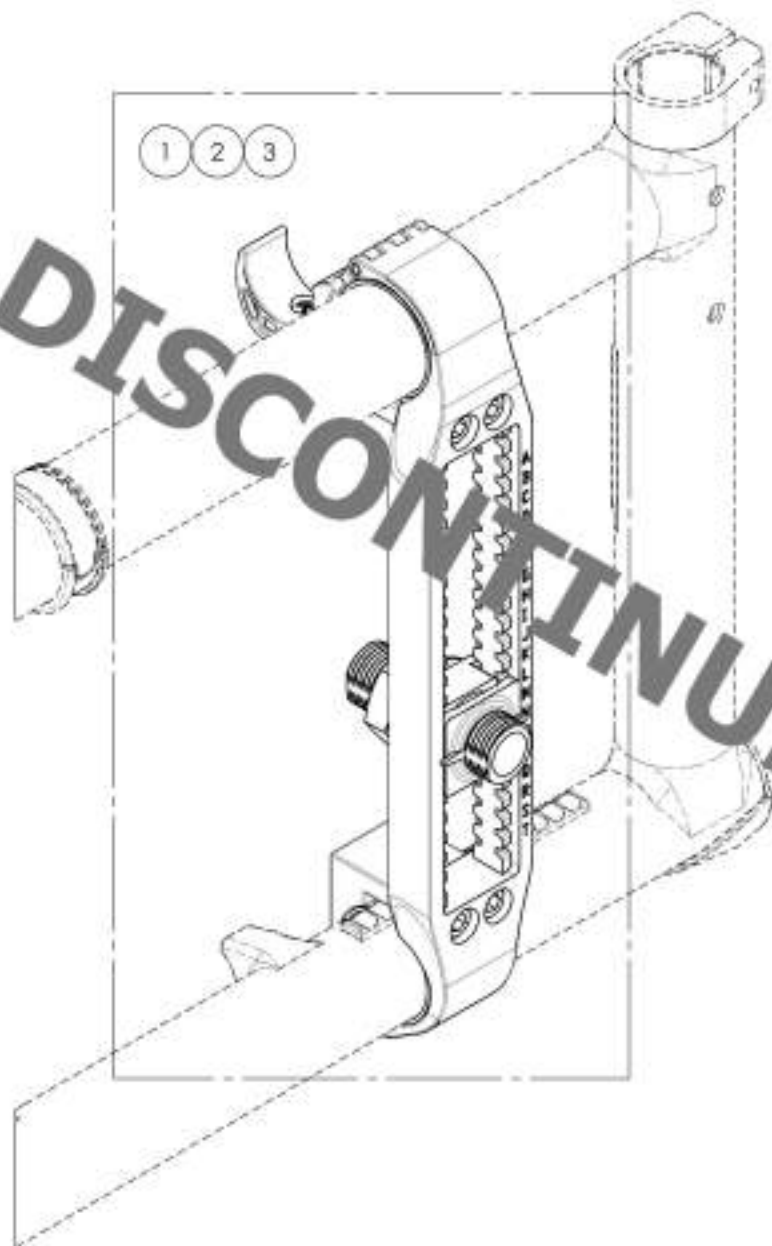


MAKE SURE TO HAVE YOUR SERIAL NUMBER NEARBY WHEN ORDERING PARTS FOR YOUR MOTION COMPOSITES WHEELCHAIR

**Rear Wheels Catalogue**  
**Multi-Position Rear Wheel Mounting Plates**

REPLACED BY #9001745 TO #9001747

ITEM NO.	PARTNO	DESCRIPTION	QTY.
1	9001568	Rear Wheel Mounting Plate - 0° Camber Angle	1
2	9001569	Rear Wheel Mounting Plate - 1° Camber Angle	1
3	9001570	Rear Wheel Mounting Plate - 2° Camber Angle	1
4	9001745	Rear Wheel Mounting Plate V28 - 0° Camber Angle	1
5	9001746	Rear Wheel Mounting Plate V28 - 3° Camber Angle	1
6	9001747	Rear Wheel Mounting Plate V28 - 6° Camber Angle	1



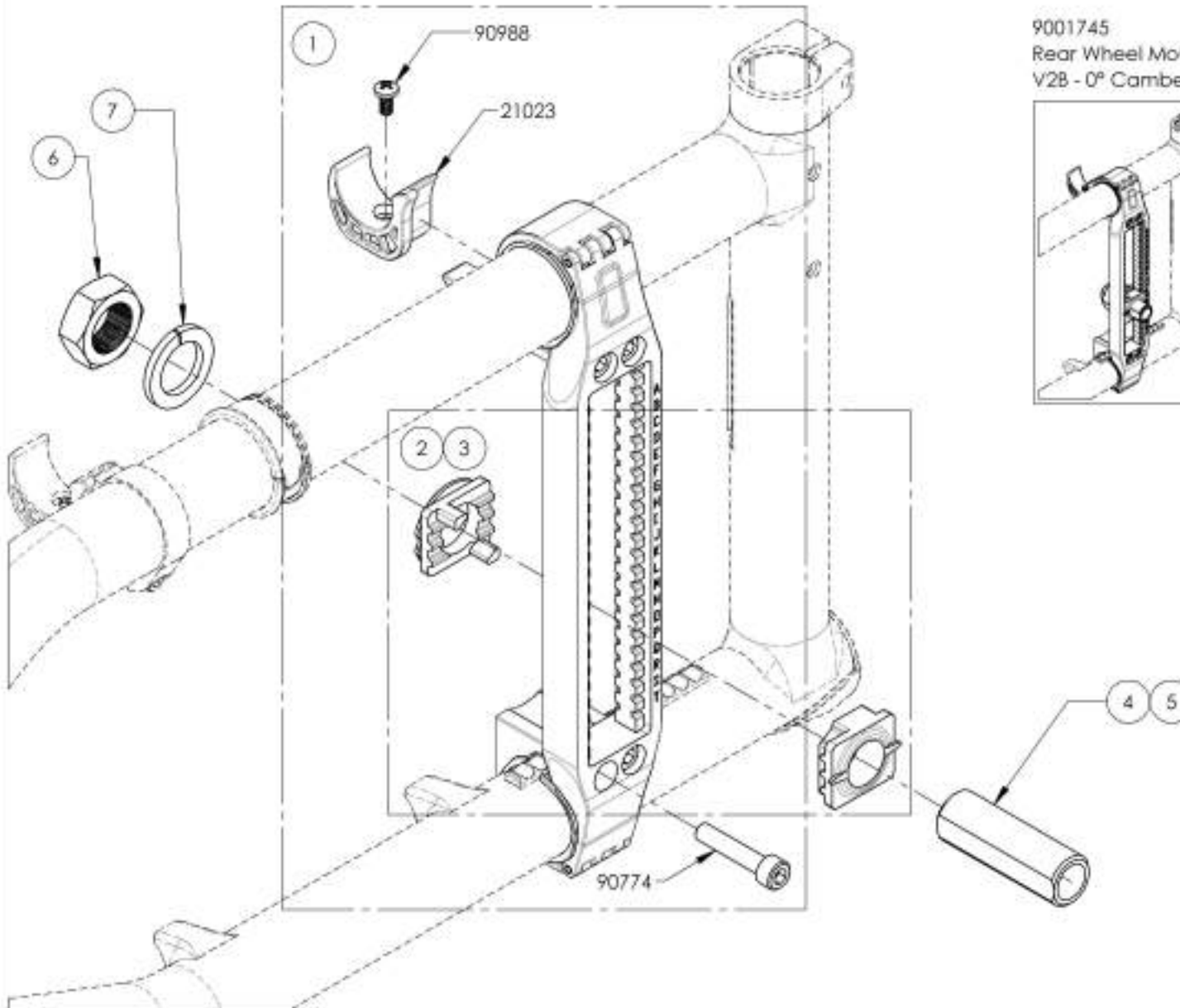
MAKE SURE TO HAVE YOUR SERIAL NUMBER  
 NEARBY WHEN ORDERING PARTS FOR YOUR  
 MOTION COMPOSITES WHEELCHAIR



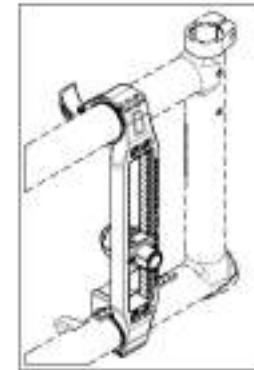
**9001745\_9001747**  
**Rear Wheel Mounting Plate V2B**

**APPLICABLE ON WHEELCHAIRS  
 SINCE 2017/01/16**

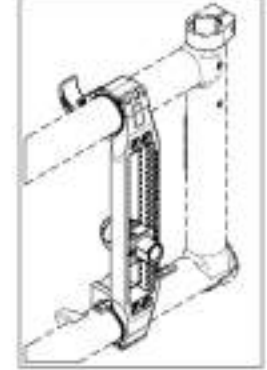
ITEM NO.	PARTNO	DESCRIPTION	9001745 /QTY.	9001746 /QTY.	9001747 /QTY.
1	21511	COMPLETE MOUNTING PLATE ASSEMBLY V2B	1	1	1
2	21514	V2B 0° POSITIONING NUT AND FACE PLATE ASSEMBLY	1	1	-
3	21513	V2B 3° POSITIONING NUT AND FACE PLATE ASSEMBLY	-	-	1
4	21041	0° BUSHING M18x1	1	-	-
5	21042	3° BUSHING M18x1	-	1	1
6	91031	JAM NUT M18 x 1.0	1	1	1
7	99597	LOCK WASHER M18	1	1	1



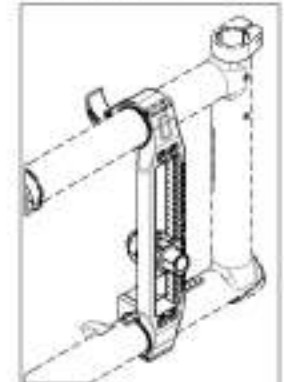
9001745  
 Rear Wheel Mounting Plate  
 V2B - 0° Camber Angle



9001746  
 Rear Wheel Mounting Plate  
 V2B - 3° Camber Angle



9001747  
 Rear Wheel Mounting Plate  
 V2B - 6° Camber Angle

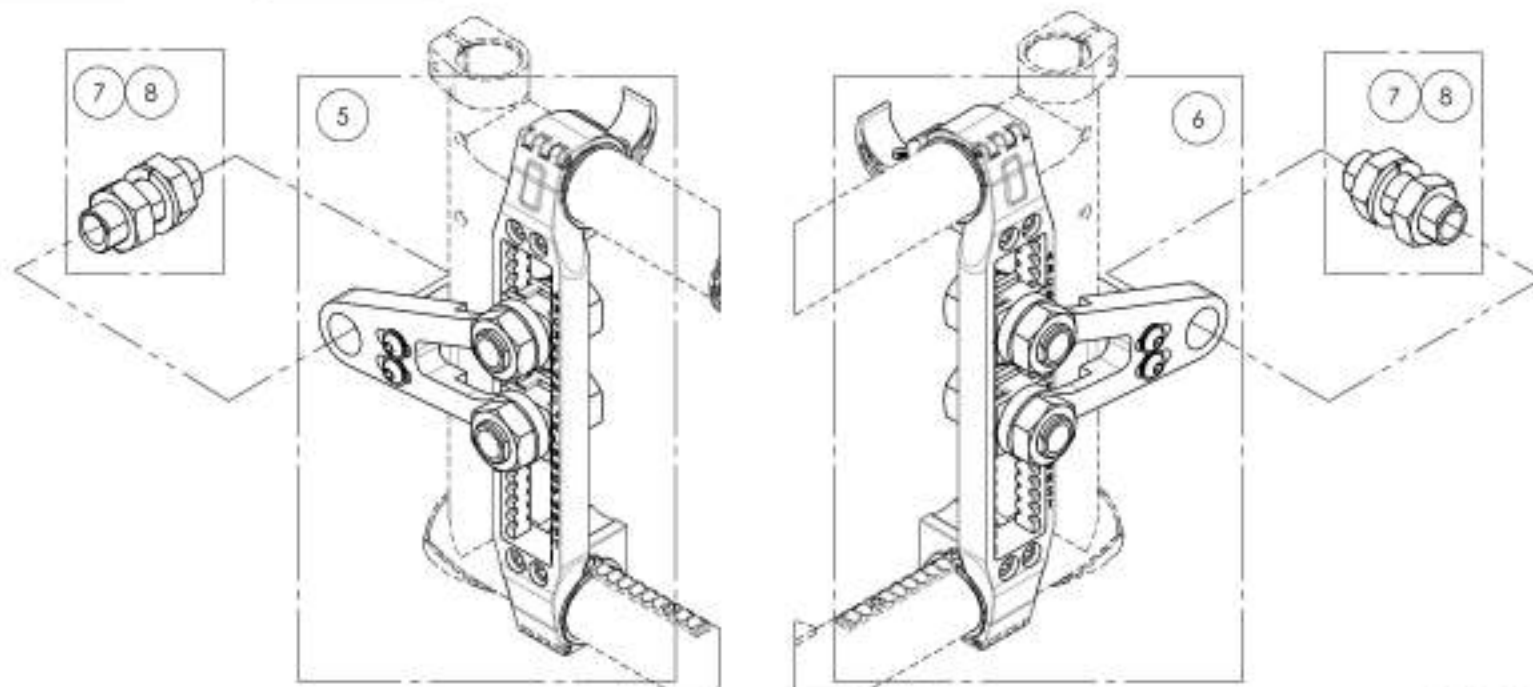
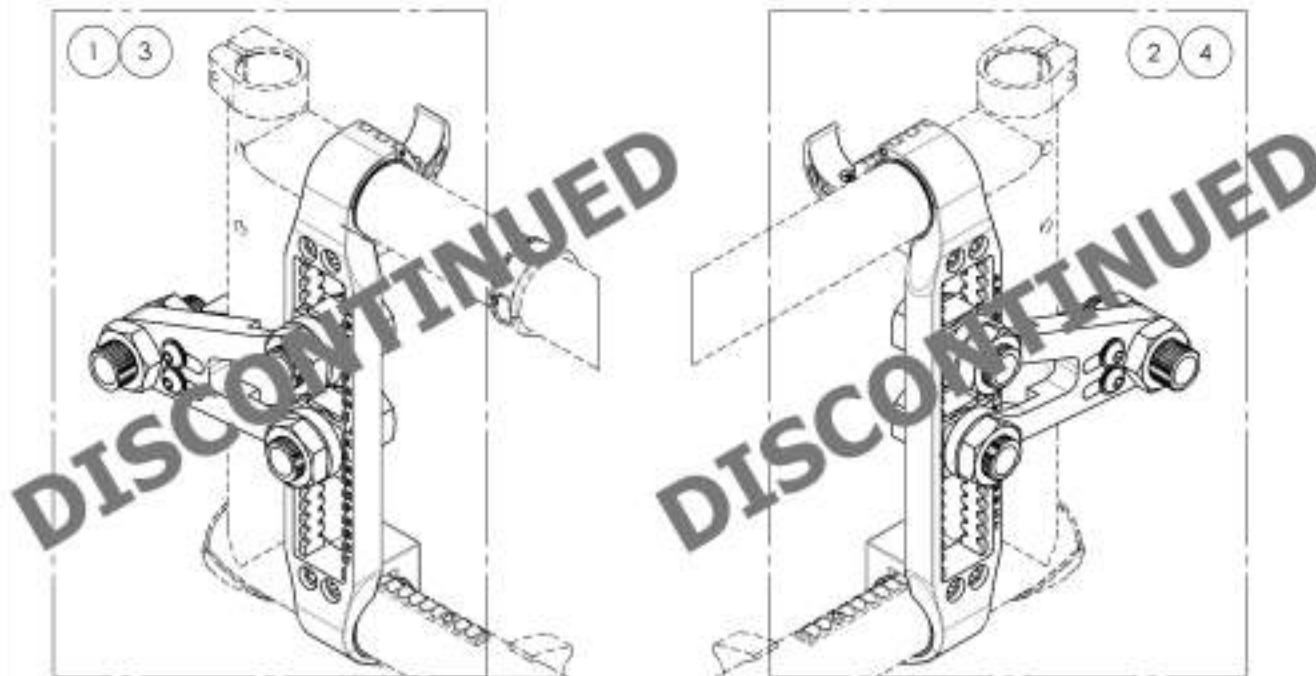


MAKE SURE TO HAVE YOUR SERIAL NUMBER  
 NEARBY WHEN ORDERING PARTS FOR YOUR  
 MOTION COMPOSITES WHEELCHAIR

**Rear Wheels Catalogue**  
**Amputee Adjustable Axle Plates for Multi-Position Rear Wheel Mounting Plate**

**REPLACED BY #9001748 & #9001750**

ITEM NO.	PARTNO	DESCRIPTION	QTY
1	9001564	Amputee Axle Plate - Adjustable, Right, 0° Camber	1
2	9001565	Amputee Axle Plate - Adjustable, Right, 3° Camber	1
3	9001565	Amputee Axle Plate - Adjustable, Right, 3° Camber	1
4	9001567	Amputee Axle Plate - Adjustable, Left, 3° Camber	1
5	9001748	Amputee Axle Plate V2B - Adjustable, Right	1
6	9001750	Amputee Axle Plate V2B - Adjustable, Left	1
7	9002444	Rear Wheel - 17" Axle Bushing + Hardware	1
8	9002445	Rear Wheel - 3" Axle Bushing + Hardware	1

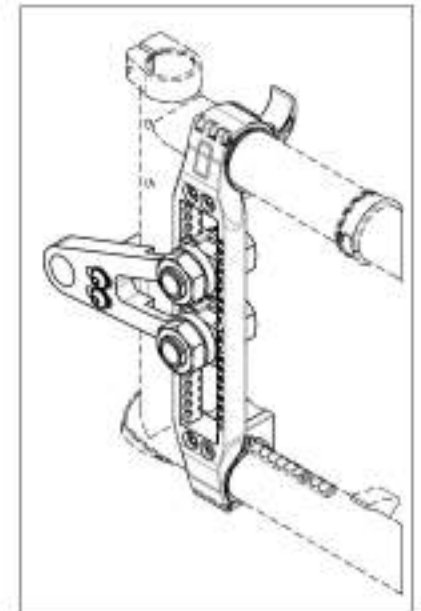
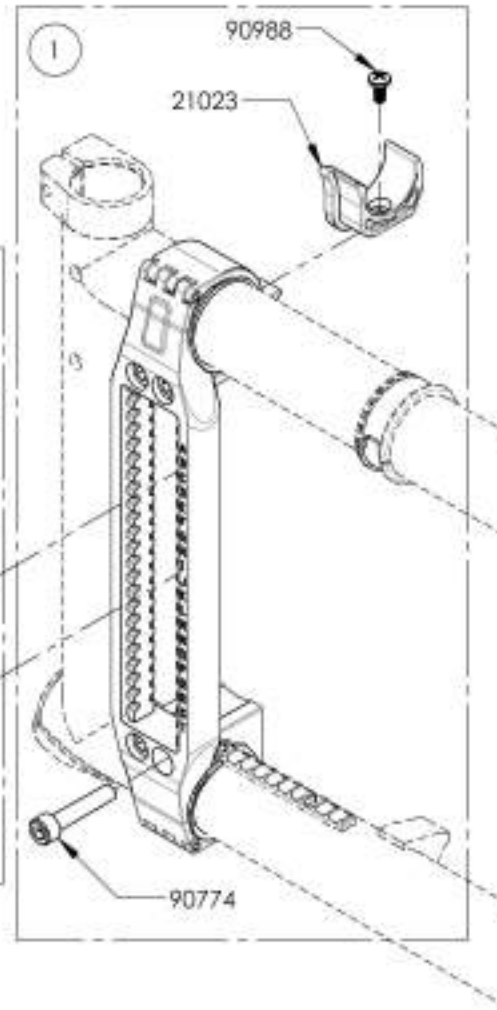
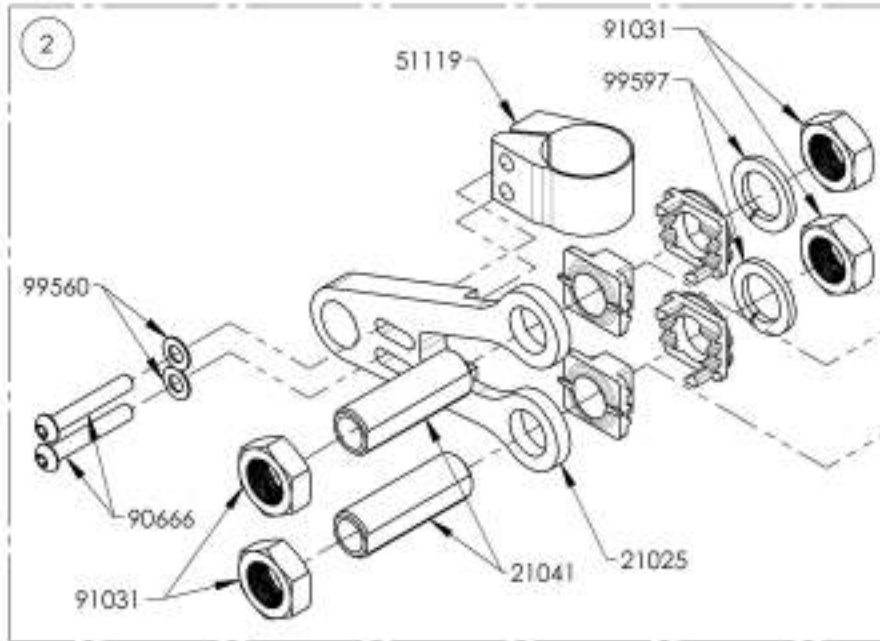


MAKE SURE TO HAVE YOUR SERIAL NUMBER  
 NEARBY WHEN ORDERING PARTS FOR YOUR  
 MOTION COMPOSITES WHEELCHAIR

**9001748  
Amputee Axle Plate V2B - Adjustable, Right**

ITEM NO.	PARTNO	DESCRIPTION	9001748 /QTY.
1	21011	COMPLETE MOUNTING PLATE ASSEMBLY V2B	1
2	21717	AMPUTE KIT V2B, RIGHT - ASSEMBLY	1

**APPLICABLE ON WHEELCHAIRS  
SINCE 2017/01/16**

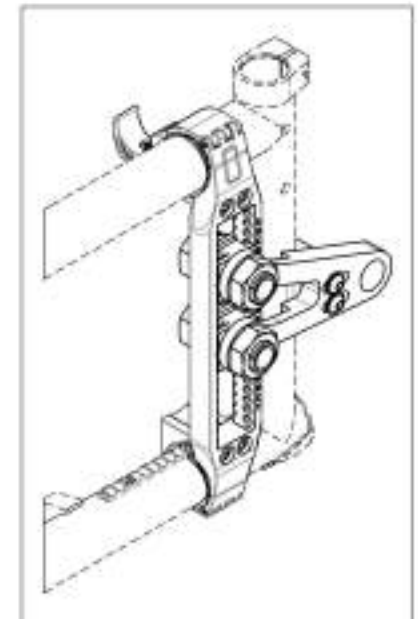
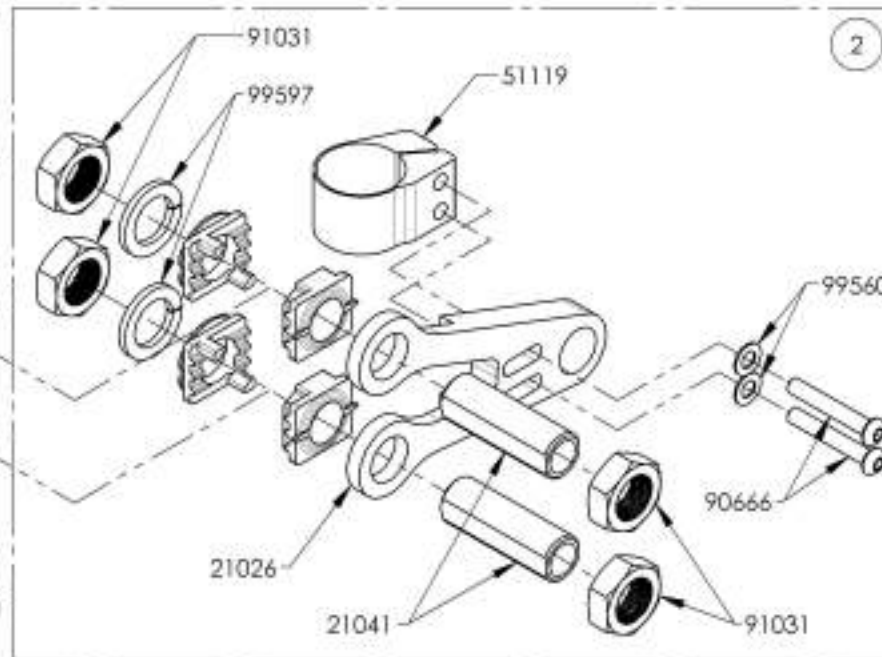
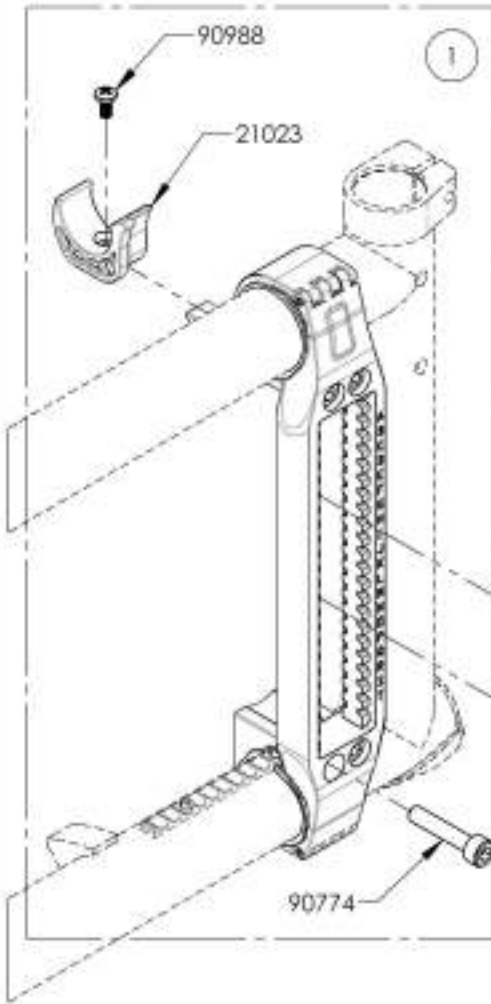


MAKE SURE TO HAVE YOUR SERIAL NUMBER  
NEARBY WHEN ORDERING PARTS FOR YOUR  
MOTION COMPOSITES WHEELCHAIR

**9001750**  
**Amputee Axle Plate V2B - Adjustable, Left**

ITEM NO.	PARTNO	DESCRIPTION	9001750 QTY.
1	21011	COMPLETE MOUNTING PLATE ASSEMBLY V2B	1
2	2171B	AMPUTE KIT V2B, LEFT - ASSEMBLY	1

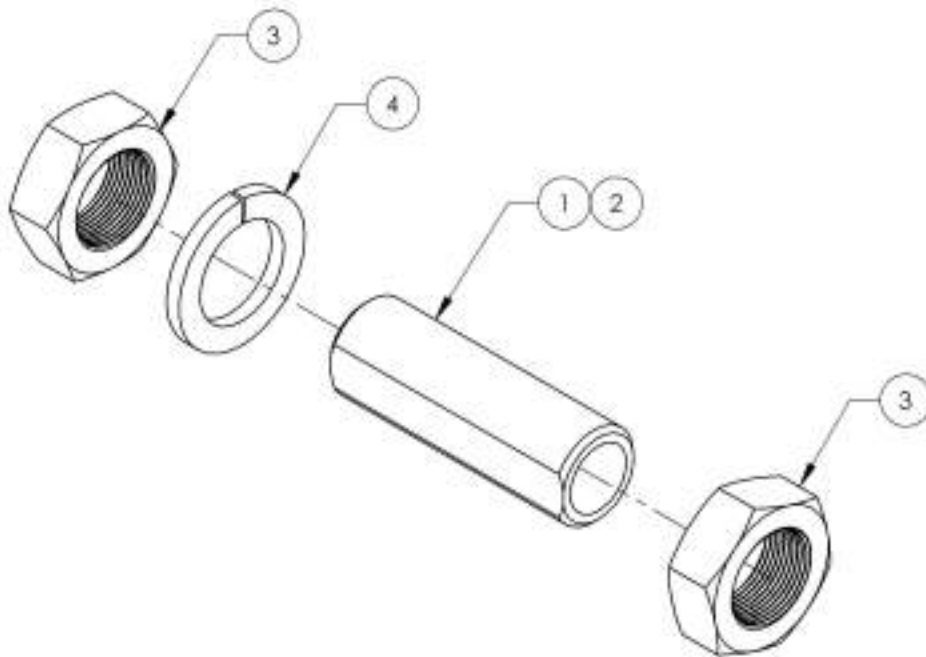
**APPLICABLE ON WHEELCHAIRS  
 SINCE 2017/01/16**



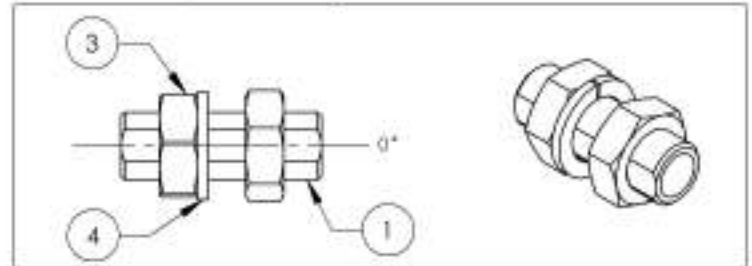
MAKE SURE TO HAVE YOUR SERIAL NUMBER  
 NEARBY WHEN ORDERING PARTS FOR YOUR  
 MOTION COMPOSITES WHEELCHAIR

**9002444\_9002445**  
**Rear Wheel - Axle Bushing + Hardware**

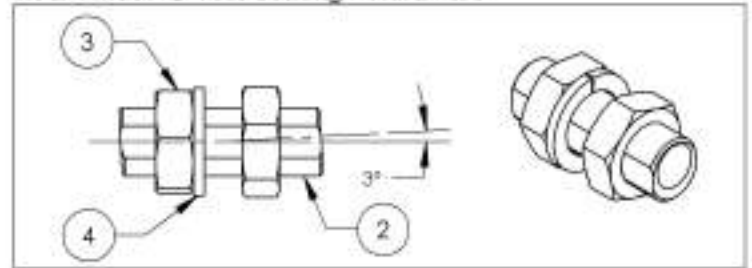
ITEM NO.	PARTNO	DESCRIPTION	9002444 /QTY.	9002445 /QTY.
1	21041	0 DEG BUSHING M18x1	1	-
2	21042	3° BUSHING M18x1	-	1
3	91031	JAW NUT M18 x 1.0	2	2
4	99997	LOCK WASHER M18	1	1



9002444  
 Rear Wheel - 0° Axle Bushing + Hardware



9002445  
 Rear Wheel - 3° Axle Bushing + Hardware

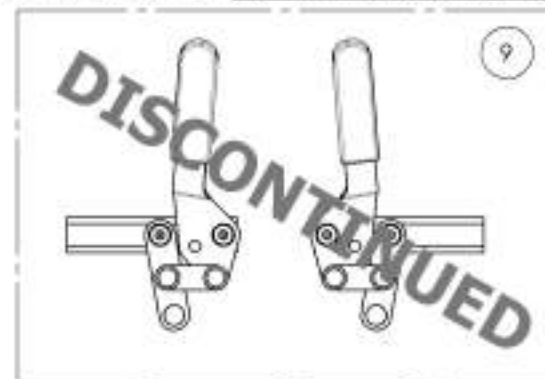
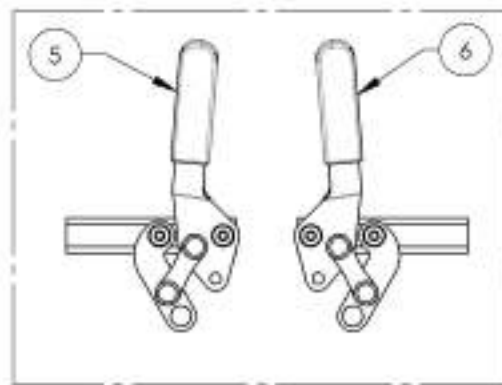
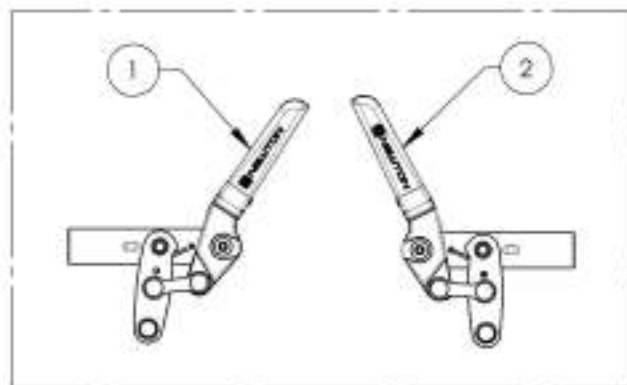


MAKE SURE TO HAVE YOUR SERIAL NUMBER  
 NEARBY WHEN ORDERING PARTS FOR YOUR  
 MOTION COMPOSITES WHEELCHAIR

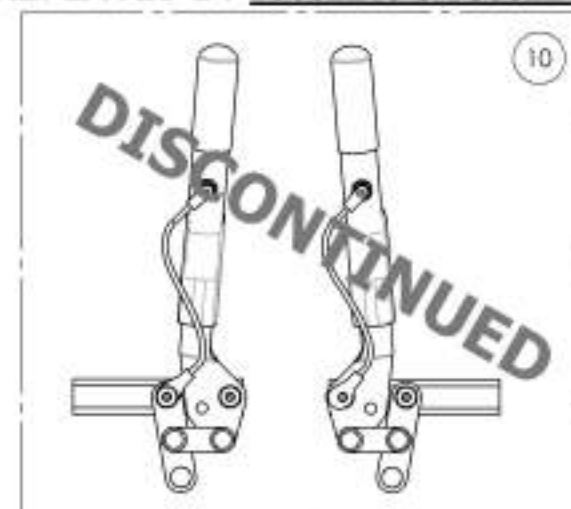
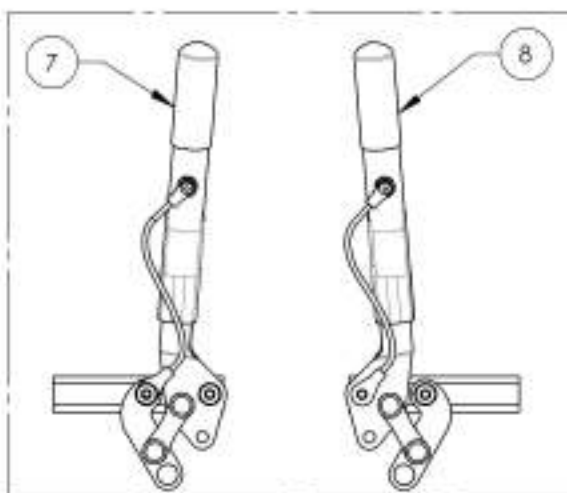
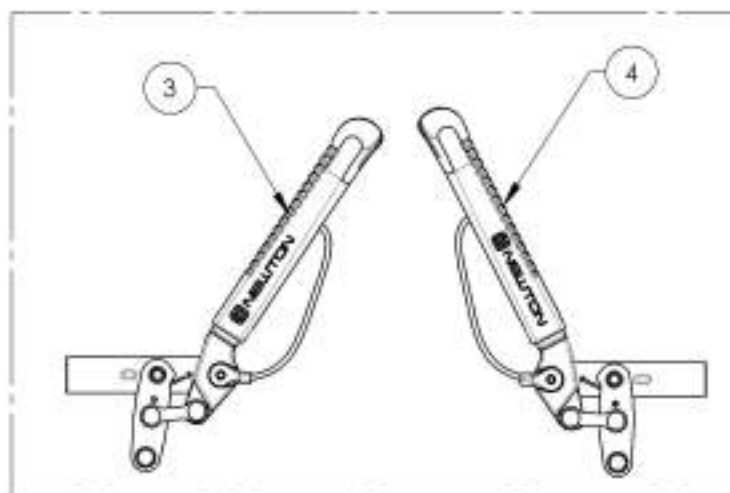
**Wheel Locks Catalogue**  
**Wheel Lock - Push & Pull**

ITEM NO.	PARTNO	DESCRIPTION	QTY.
1	9002216	Wheel Lock - Newton Spring Loaded Push to lock, Right	1
2	9002217	Wheel Lock - Newton Spring Loaded Push to lock, Left	1
3	9002218	Wheel Lock - Newton Spring Loaded Push to lock, 6 in Removable Extension Handle, Right	1
4	9002219	Wheel Lock - Newton Spring Loaded Push to lock, 6 in Removable Extension Handle, Left	1
5	9001128	Wheel Lock - Pull to Lock, Right	1
6	9001129	Wheel Lock - Pull to Lock, Left	1
7	9001130	Wheel Lock - Pull to Lock, 6 in Removable Extension Handle, Right	1
8	9001131	Wheel Lock - Pull to Lock, 6 in Removable Extension Handle, Left	1
9	9001573	<b>DISCONTINUED</b>	1
10	9001575	<b>DISCONTINUED</b>	1

**REPLACED BY #9002216 & #9002217**



**REPLACED BY #9002218 & #9002219**

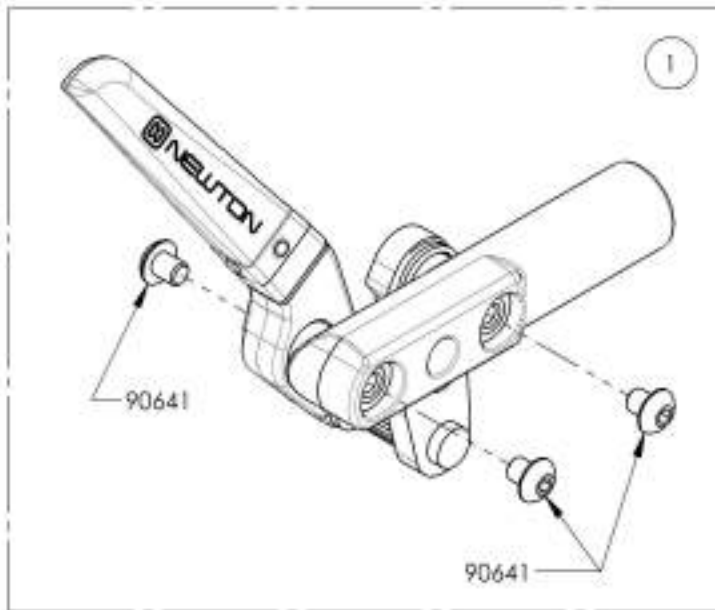


MAKE SURE TO HAVE YOUR SERIAL NUMBER  
 NEARBY WHEN ORDERING PARTS FOR YOUR  
 MOTION COMPOSITES WHEELCHAIR

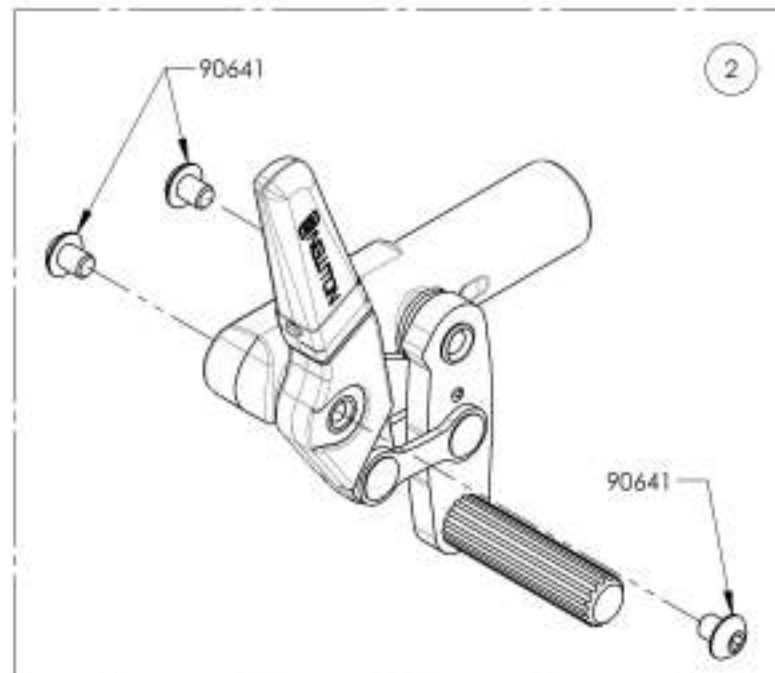
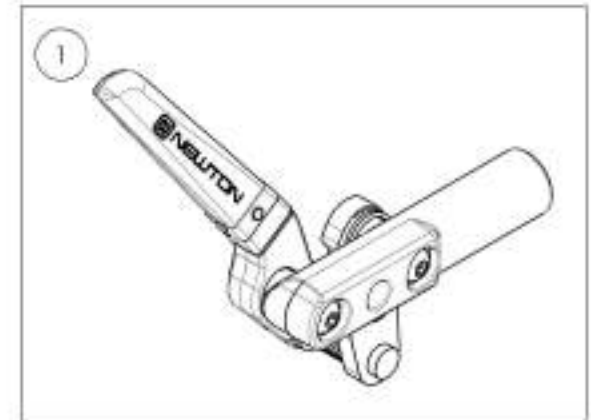
**9002216\_9002217**

**Wheel Lock - Newton Spring Loaded Push to lock**

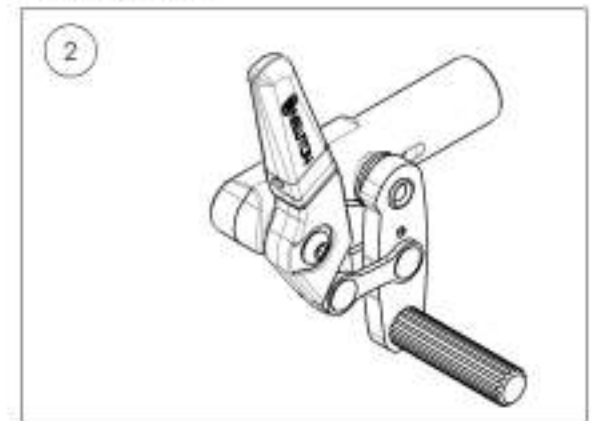
ITEM NO.	PARTNO	DESCRIPTION	9002216 /QTY.	9002217 /QTY.
1	41057	NEWTON PUSH SPRING WHEEL LOCK, RIGHT - ASSY	1	-
2	41056	NEWTON PUSH SPRING WHEEL LOCK, LEFT - ASSY	-	1



9002216  
Wheel Lock - Newton Spring Loaded  
Push to lock, Right



9002217  
Wheel Lock - Newton Spring Loaded  
Push to lock, Left

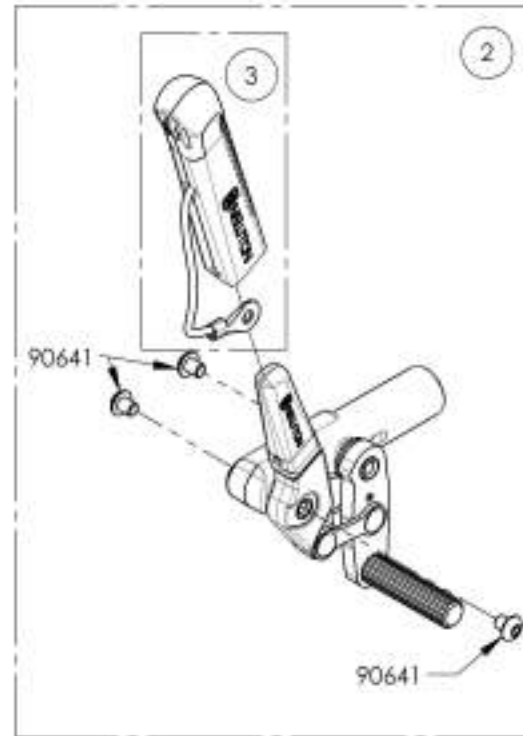
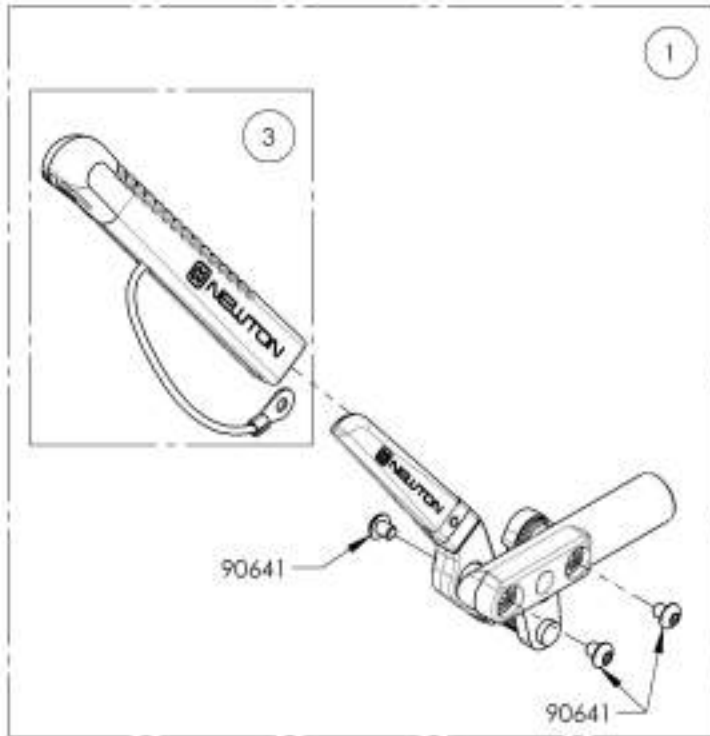


MAKE SURE TO HAVE YOUR SERIAL NUMBER  
NEARBY WHEN ORDERING PARTS FOR YOUR  
MOTION COMPOSITES WHEELCHAIR

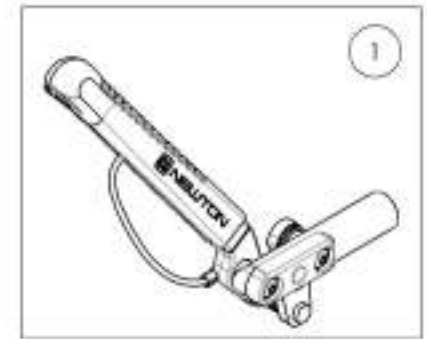
**9002218\_9002219**

**Wheel Lock - Newton Spring Loaded Push to lock,  
6 in Removable Extension Handle**

ITEM NO.	PARTNO	DESCRIPTION	9002218 /QTY.	9002219 /QTY.	REPLACEMENT PARTS/QTY.
1	41052	NEWTON PUSH SPRING WHEEL LOCK + EXTENSION, RIGHT - ASSY	1	-	-
2	41051	NEWTON PUSH SPRING WHEEL LOCK + EXTENSION, LEFT - ASSY	-	1	-
3	41500	NEWTON REMOVABLE EXTENSION HANDLE - ASSEMBLY	-	-	1



9002218  
Wheel Lock - Newton Spring  
Loaded Push to lock, 6 in  
Removable Extension Handle



9002219  
Wheel Lock - Newton Spring  
Loaded Push to lock, 6 in  
Removable Extension Handle

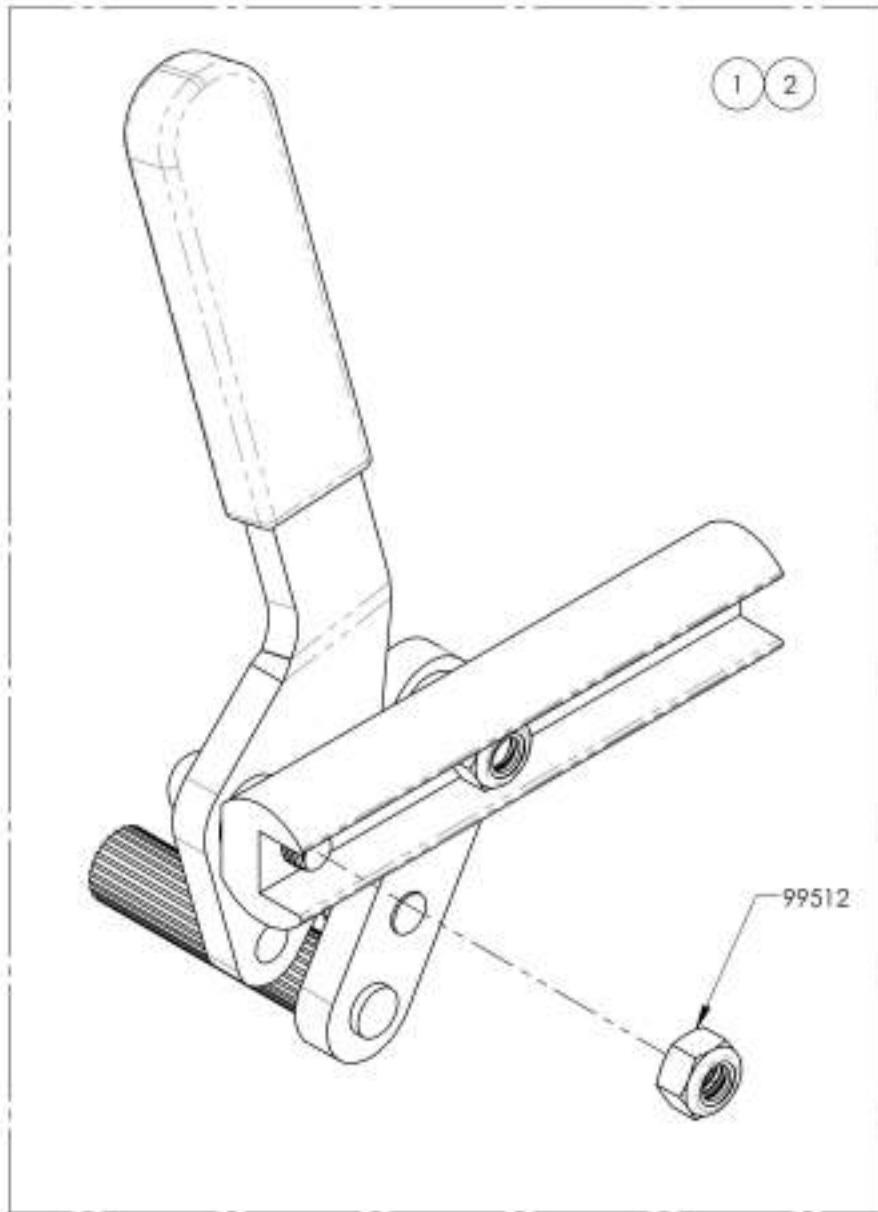


MAKE SURE TO HAVE YOUR SERIAL NUMBER  
NEARBY WHEN ORDERING PARTS FOR YOUR  
MOTION COMPOSITES WHEELCHAIR



**9001128\_9001129**  
**Wheel Lock - Pull to Lock**

ITEM NO.	PARTNO	DESCRIPTION	9001128 /QTY.	9001129 /QTY.
1	4107B	PULL TO LOCK WHEEL LOCK, RIGHT	1	-
2	4107Y	PULL TO LOCK WHEEL LOCK, LEFT	-	1



9001128  
 Wheel Lock - Pull to Lock, Right



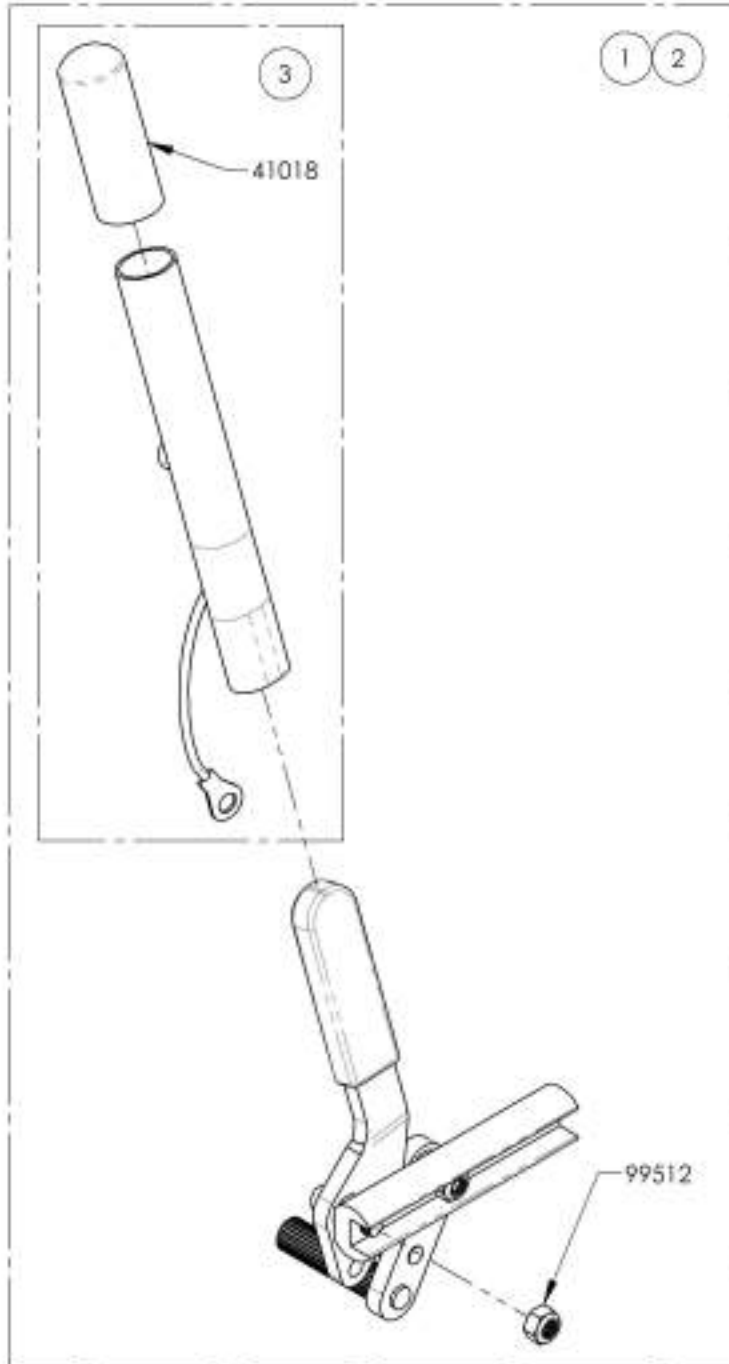
9001129  
 Wheel Lock - Pull to Lock, Left



MAKE SURE TO HAVE YOUR SERIAL NUMBER  
 NEARBY WHEN ORDERING PARTS FOR YOUR  
 MOTION COMPOSITES WHEELCHAIR

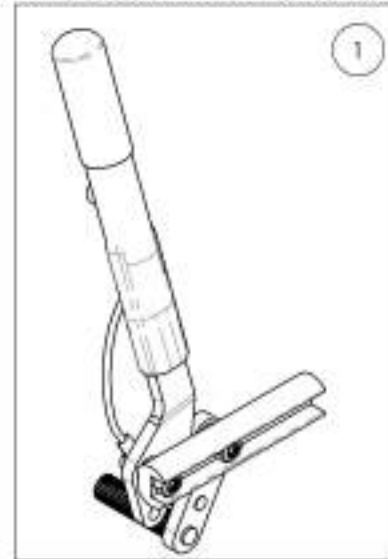
**9001130\_9001131**

**Wheel Lock - Pull to Lock, 6 in Removable Extension Handle**

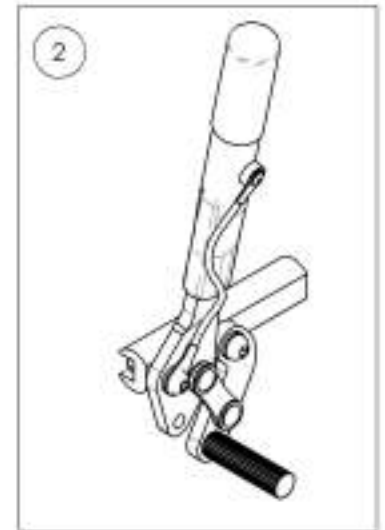


ITEM NO.	PARTNO	DESCRIPTION	9001130 /QTY.	9001131 /QTY.	REPLACEMENT PARTS/QTY.
1	41080	PULL TO LOCK WHEEL LOCK + EXTENSION, RIGHT	1	-	-
2	41081	PULL TO LOCK WHEEL LOCK + EXTENSION, LEFT	-	1	-
3	41005	REMOVABLE EXTENSION HANDLE	-	-	1

9001130  
Wheel Lock - Pull to Lock, 6 in  
Removable Extension Handle, Right



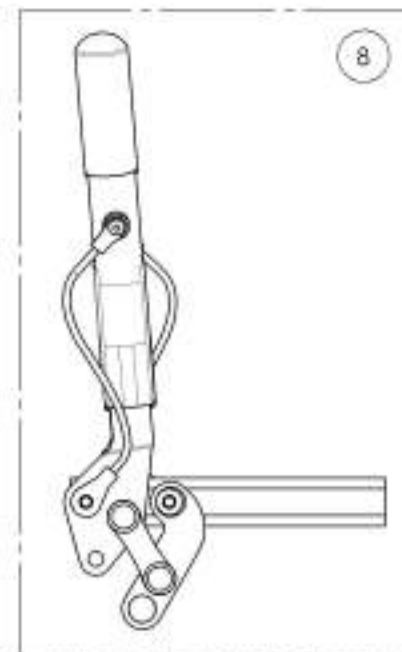
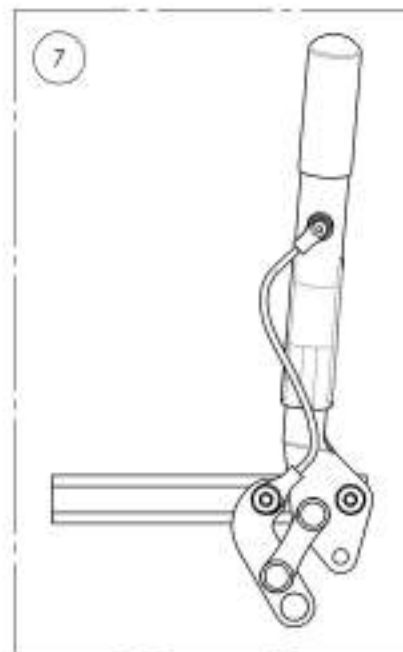
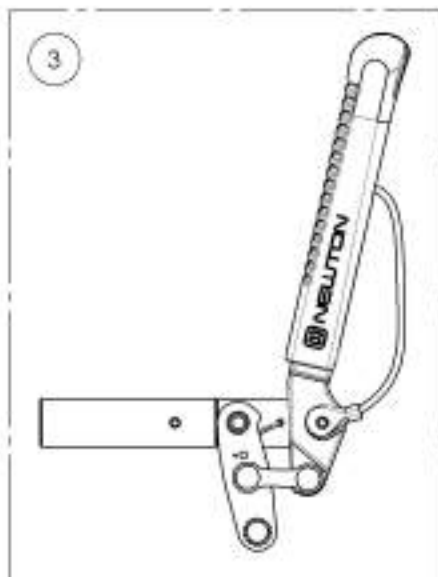
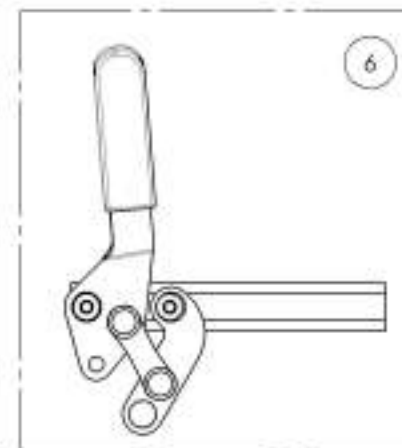
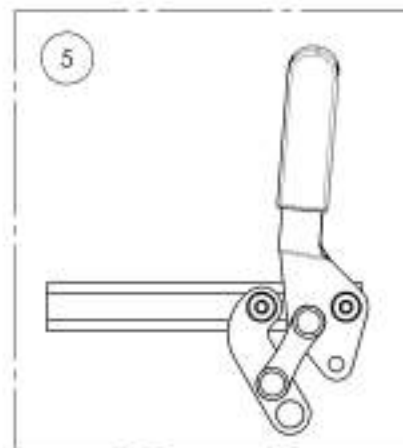
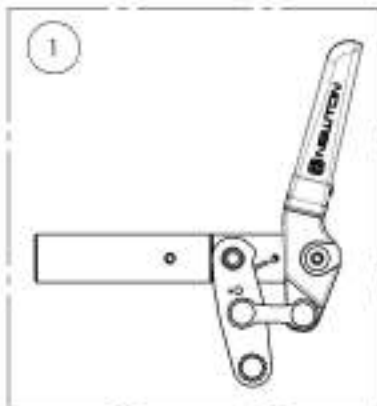
9001131  
Wheel Lock - Pull to Lock, 6 in  
Removable Extension Handle, Left



MAKE SURE TO HAVE YOUR SERIAL NUMBER NEARBY WHEN ORDERING PARTS FOR YOUR MOTION COMPOSITES WHEELCHAIR

**Wheel Locks Catalogue**  
**Wheel Lock - Push & Pull with Extended Rail**

ITEM NO.	PARTNO	DESCRIPTION	QTY.
1	9003025	Wheel Lock - Newton Spring Loaded Push to Lock, Extended Rail, Right	1
2	9003026	Wheel Lock - Newton Spring Loaded Push to Lock, Extended Rail, Left	1
3	9003027	Wheel Lock - Newton Spring Loaded Push to Lock, Extended Rail, 6 in Removable Extension Handle, Right	1
4	9003028	Wheel Lock - Newton Spring Loaded Push to Lock, Extended Rail, 6 in Removable Extension Handle, Left	1
5	9003628	Wheel Lock - Pull to Lock, Extended Rail, Right	1
6	9003629	Wheel Lock - Pull to Lock, Extended Rail, Left	1
7	9003630	Wheel Lock - Pull to Lock, Extended Rail, 6 in Removable Extension Handle, Right	1
8	9003631	Wheel Lock - Pull to Lock, Extended Rail, 6 in Removable Extension Handle, Left	1

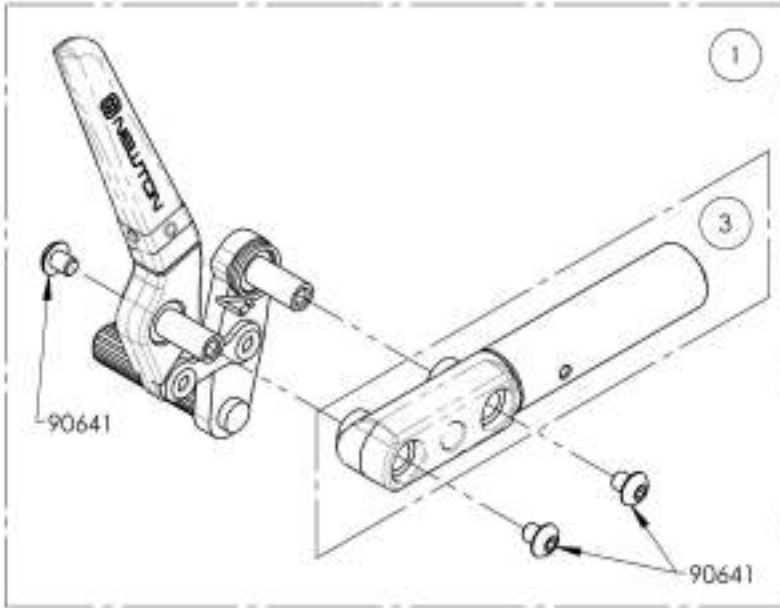


MAKE SURE TO HAVE YOUR SERIAL NUMBER NEARBY WHEN ORDERING PARTS FOR YOUR MOTION COMPOSITES WHEELCHAIR

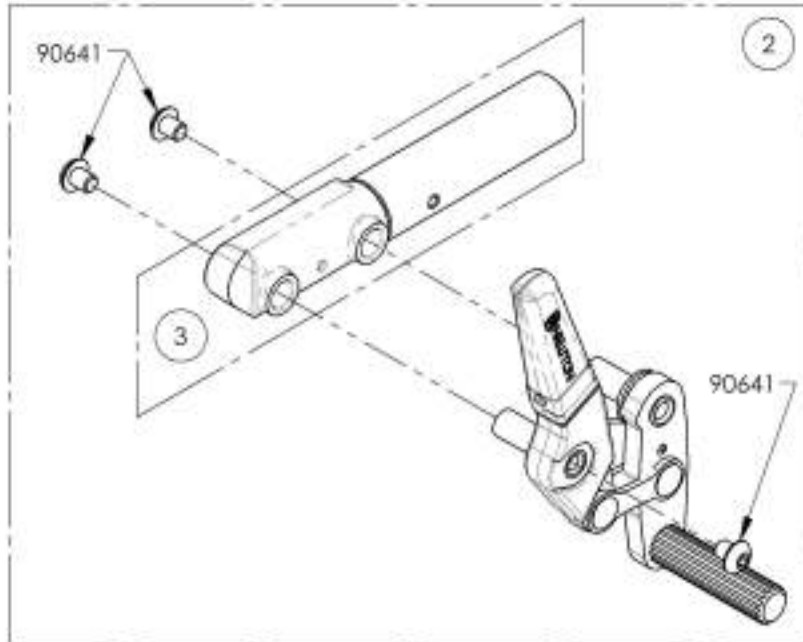
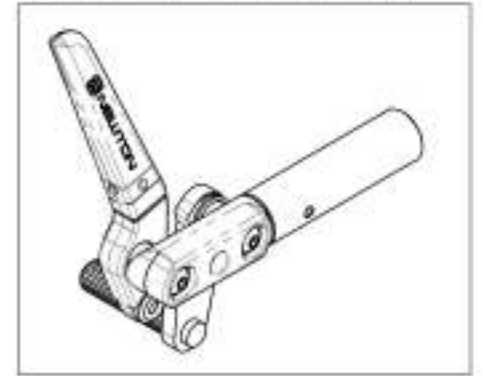
**9003025\_9003026**

**Wheel Lock - Newton Spring Loaded Push to Lock, Extended Rail**

ITEM NO.	PARTNO	DESCRIPTION	9003025 /QTY.	9003026 /QTY.	REPLACEMENT PARTS/QTY.
1	41516	NEWTON PUSH SPRING WHEEL LOCK WITH EXTENDED RAIL, RIGHT - ASSEMBLY	1	-	-
2	41517	NEWTON PUSH SPRING WHEEL LOCK WITH EXTENDED RAIL, LEFT - ASSEMBLY	-	1	-
3	41072	EXTENDED WHEEL LOCK RAIL_PUSH TO LOCK	-	-	1



9003025  
Wheel Lock - Newton Spring Loaded  
Push to Lock, Extended Rail, Right



9003026  
Wheel Lock - Newton Spring Loaded  
Push to Lock, Extended Rail, Left

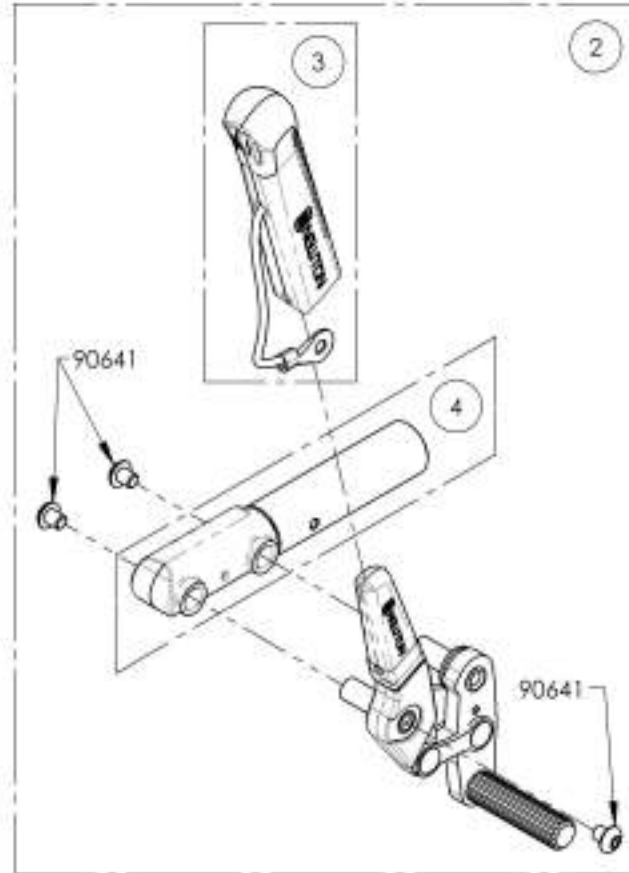
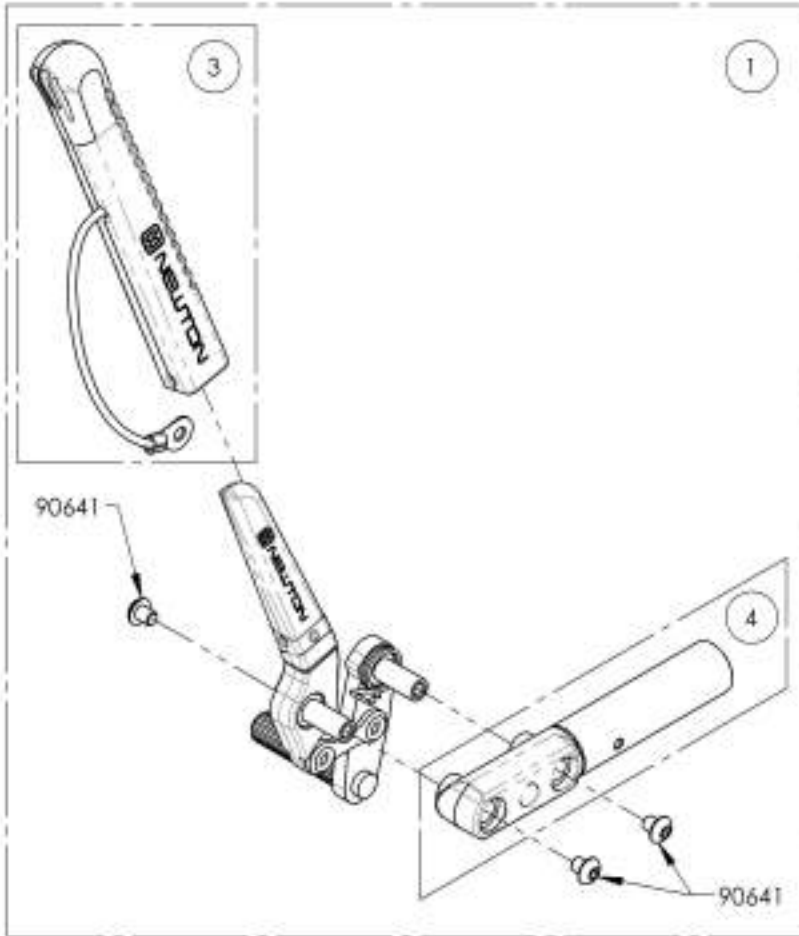


MAKE SURE TO HAVE YOUR SERIAL NUMBER  
NEARBY WHEN ORDERING PARTS FOR YOUR  
MOTION COMPOSITES WHEELCHAIR

**9003027\_9003028**

**Wheel Lock - Newton Spring Loaded Push to Lock, Extended Rail, 6 in Removable Extension Handle**

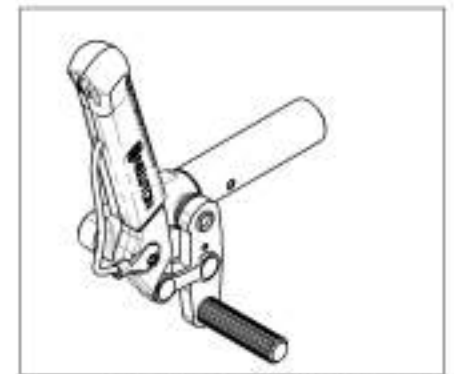
ITEM NO.	PARTNO	DESCRIPTION	9003027 /QTY.	9003028 /QTY.	REPLACEMENT PARTS/QTY.
1	41076	NEWTON PUSH SPRING WHEEL LOCK WITH EXTENSION + EXTENDED RAIL, RIGHT - ASSEMBLY	1	-	-
2	41077	NEWTON PUSH SPRING WHEEL LOCK WITH EXTENSION + EXTENDED RAIL, LEFT - ASSEMBLY	-	1	-
3	41500	NEWTON REMOVABLE EXTENSION HANDLE - ASSEMBLY	-	-	1
4	41072	EXTENDED WHEEL LOCK RAIL, PUSH TO LOCK	-	-	1



9003027  
Wheel Lock - Newton Spring Loaded Push to Lock, Extended Rail, 6 in Removable Extension Handle, Right



9003028  
Wheel Lock - Newton Spring Loaded Push to Lock, Extended Rail, 6 in Removable Extension Handle, Left

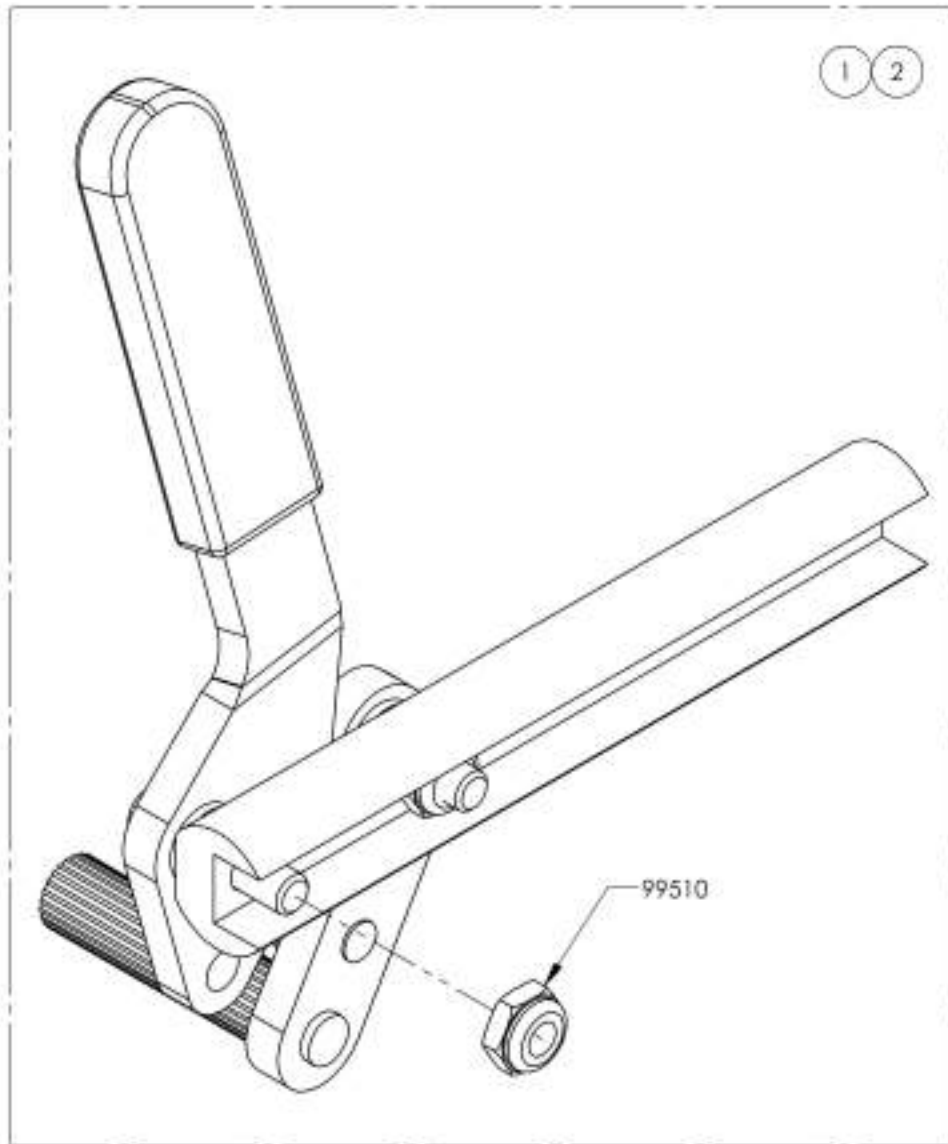


MAKE SURE TO HAVE YOUR SERIAL NUMBER NEARBY WHEN ORDERING PARTS FOR YOUR MOTION COMPOSITES WHEELCHAIR

9003628\_9003629

**Wheel Lock - Pull to Lock, Extended Rail**

ITEM NO.	PARTNO	DESCRIPTION	9003628 /QTY.	9003629 /QTY.
1	41714	PULL TO LOCK WHEEL LOCK + EXTENSION RAIL, RIGHT	1	-
2	41715	PULL TO LOCK WHEEL LOCK + EXTENSION RAIL, LEFT	-	1



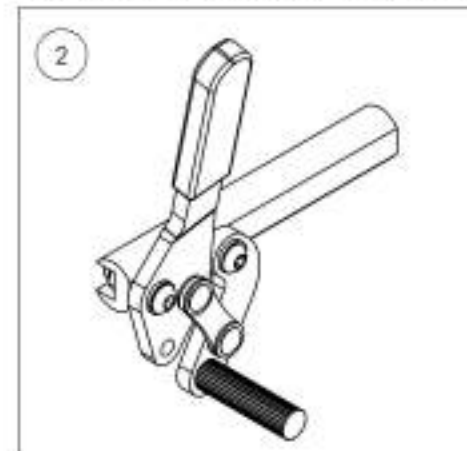
Default

Wheel Lock - Pull to Lock, Extended Rail, Right



Default

Wheel Lock - Pull to Lock, Extended Rail, Left

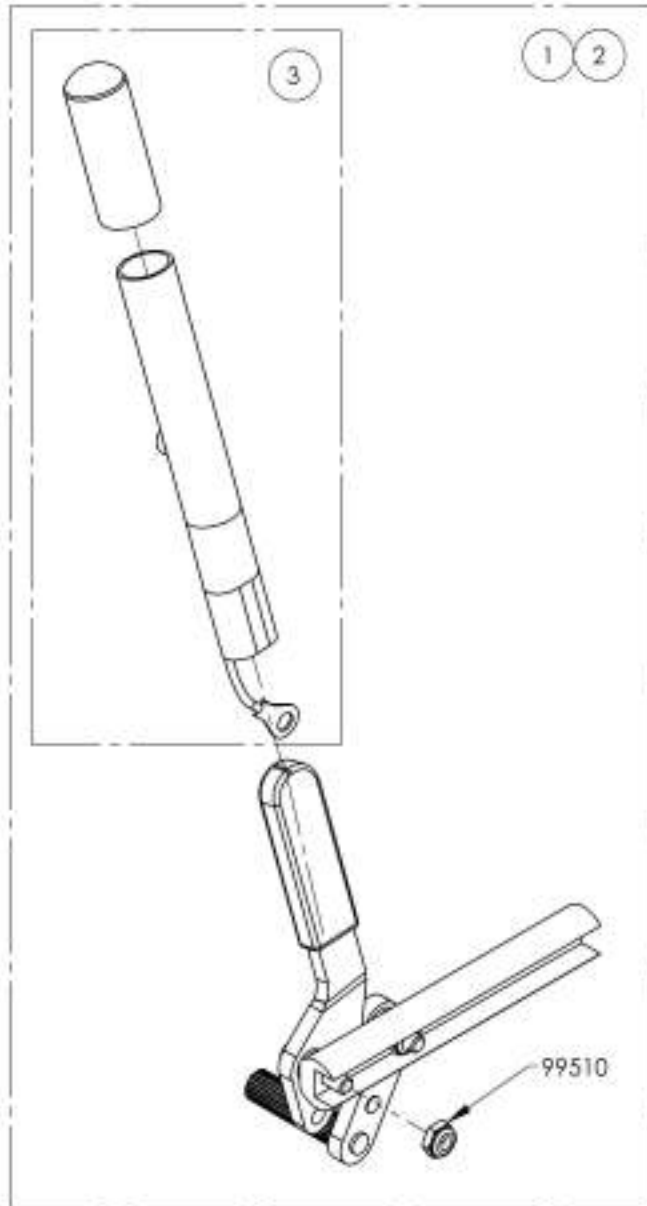


MAKE SURE TO HAVE YOUR SERIAL NUMBER NEARBY WHEN ORDERING PARTS FOR YOUR MOTION COMPOSITES WHEELCHAIR

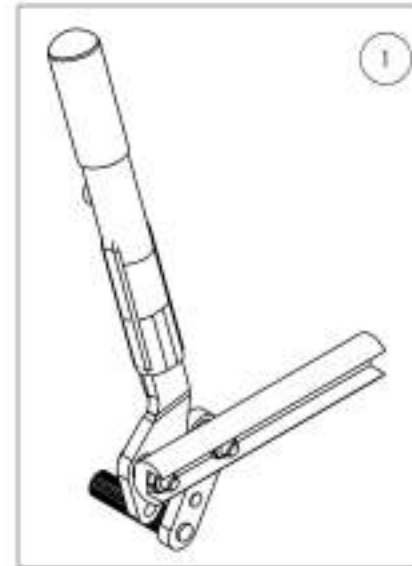
9003630\_9003631

**Wheel Lock - Pull to Lock, Extended Rail, 6 in Removable Extension Handle**

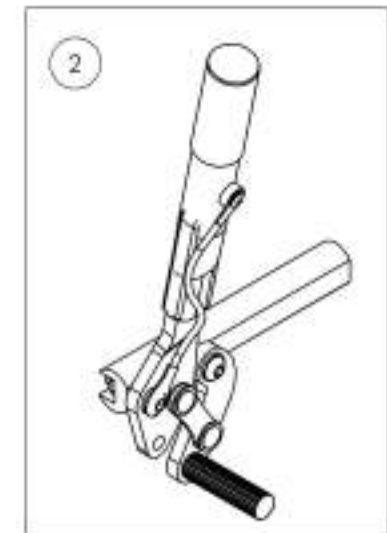
ITEM NO.	PARTNO	DESCRIPTION	9003630 /QTY.	9003631 /QTY.	REPLACEMENT PARTS/QTY.
1	41712	PULL TO LOCK WHEEL LOCK + HANDLE & EXTENSION RAIL, RIGHT	1	-	-
2	41713	PULL TO LOCK WHEEL LOCK + HANDLE & EXTENSION RAIL, LEFT	-	1	-
3	41005	REMOVABLE EXTENSION HANDLE	-	-	1



Default  
Wheel Lock - Pull to Lock, Extended Rail,  
6 in Removable Extension Handle, Right



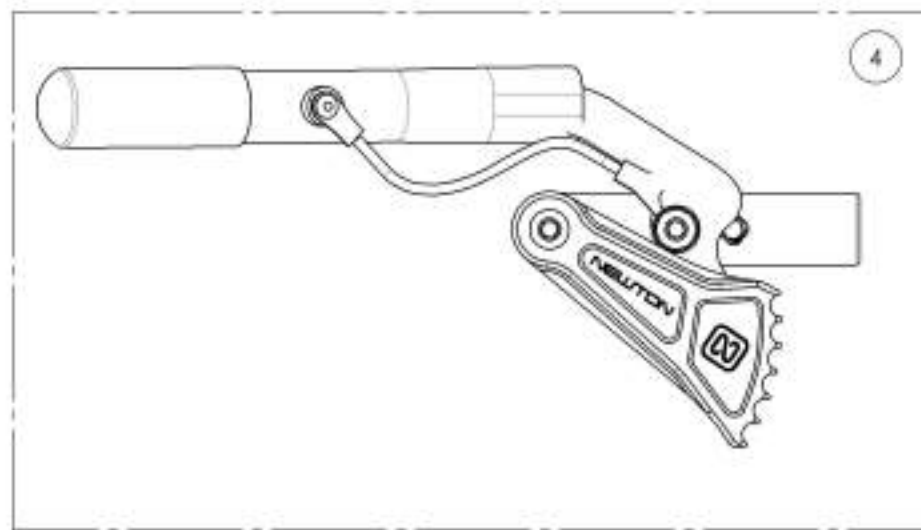
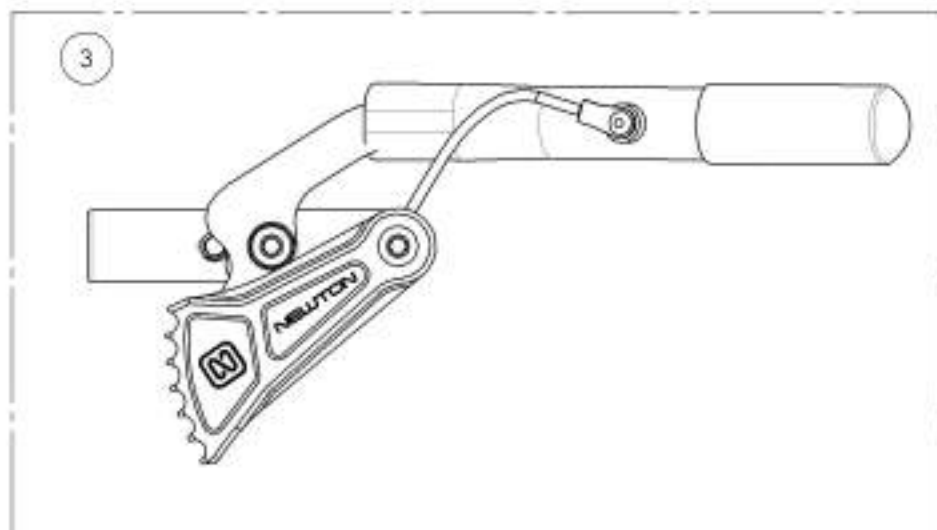
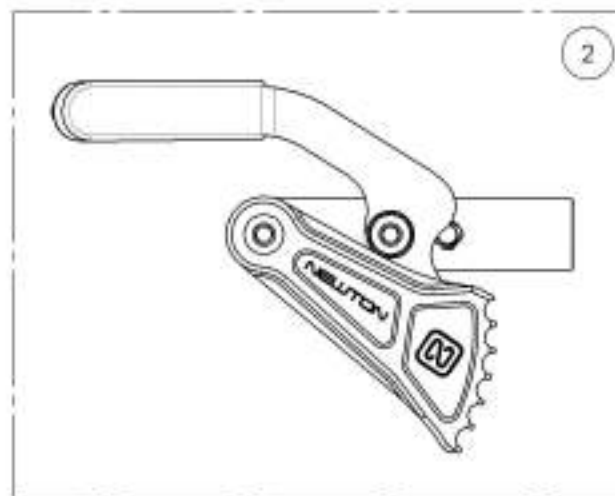
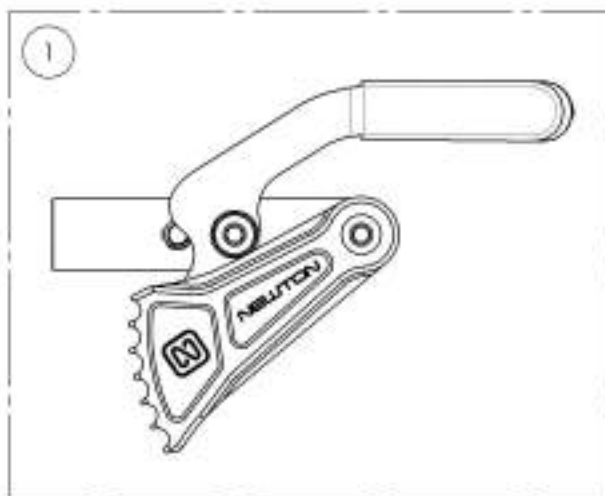
Default  
Wheel Lock - Pull to Lock, Extended Rail,  
6 in Removable Extension Handle, Left



MAKE SURE TO HAVE YOUR SERIAL NUMBER  
NEARBY WHEN ORDERING PARTS FOR YOUR  
MOTION COMPOSITES WHEELCHAIR

**Wheel Locks Catalogue**  
**Wheel Lock - Grade Aid**

ITEM NO.	PARTNO	DESCRIPTION	QTY.
1	9001581	Wheel Lock - Newton Grade Aid, Push to lock, Right	1
2	9001582	Wheel Lock - Newton Grade Aid, Push to lock, Left	1
3	9001583	Wheel Lock - Newton Grade Aid, Push to lock, 6in Removable Extension Handle, Right	1
4	9001584	Wheel Lock - Newton Grade Aid, Push to lock, 6in Removable Extension Handle, Left	1



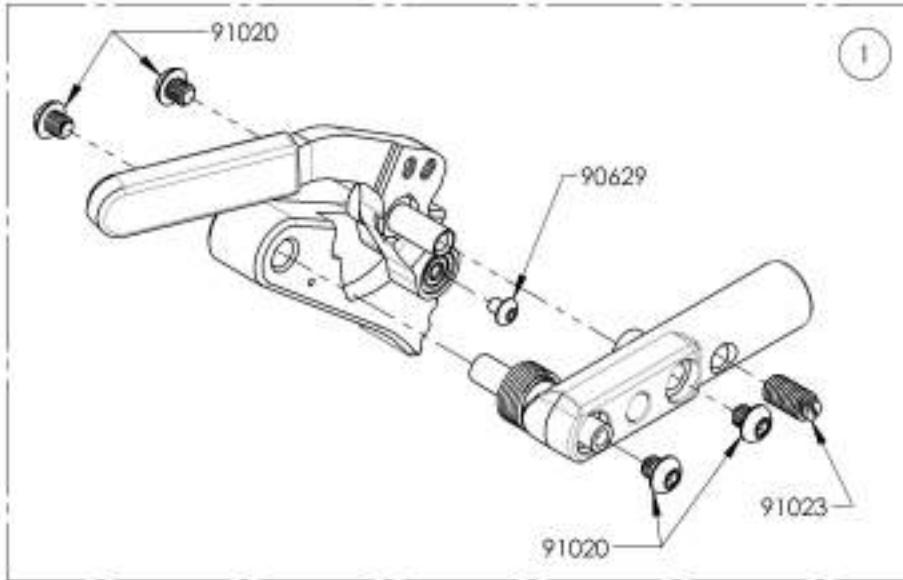
MAKE SURE TO HAVE YOUR SERIAL NUMBER  
 NEARBY WHEN ORDERING PARTS FOR YOUR  
 MOTION COMPOSITES WHEELCHAIR



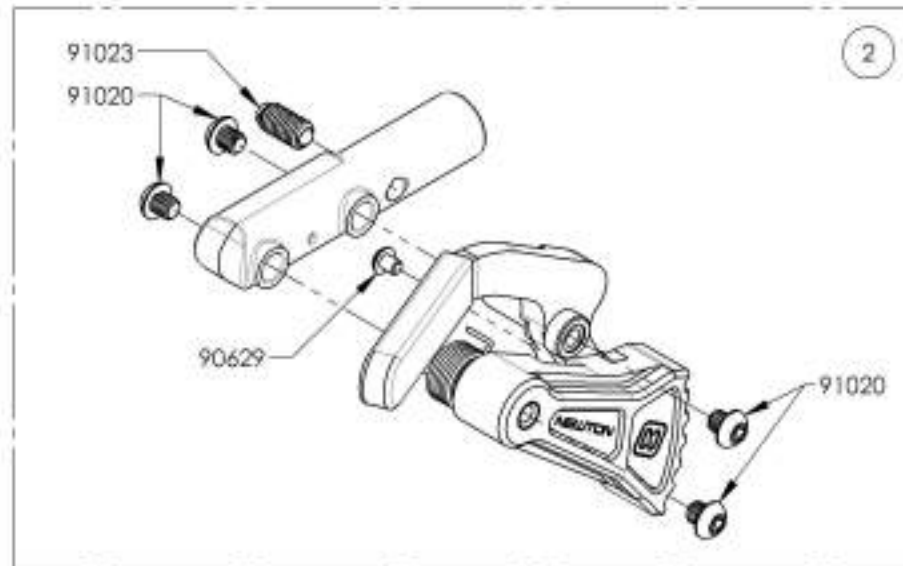
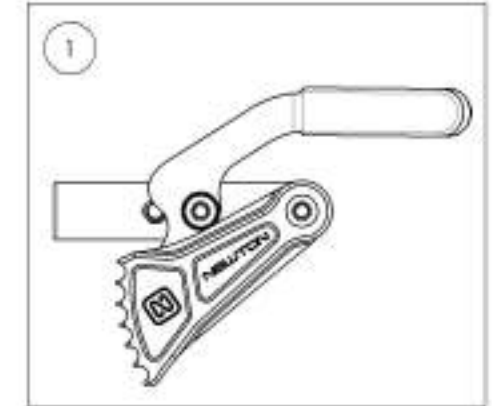
**9001581\_9001582**

**Wheel Lock - Newton Grade Aid, Push to Lock**

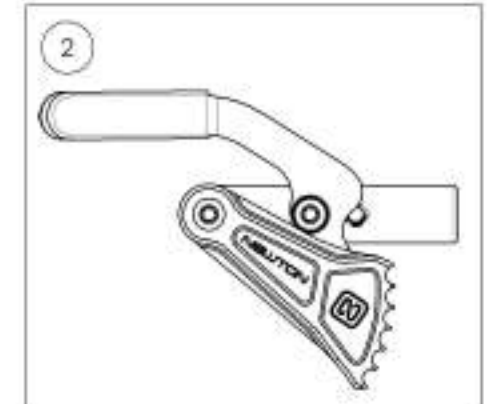
ITEM NO.	PARTNO	DESCRIPTION	9001581 /QTY.	9001582 /QTY.
1	41035	GRADE AID BRAKE RIGHT - ASSEMBLY	1	-
2	41036	GRADE AID BRAKE LEFT - ASSEMBLY	-	1



9001581  
Wheel Lock - Newton Grade Aid,  
Push to lock, Right



9001582  
Wheel Lock - Newton Grade Aid,  
Push to lock, Left

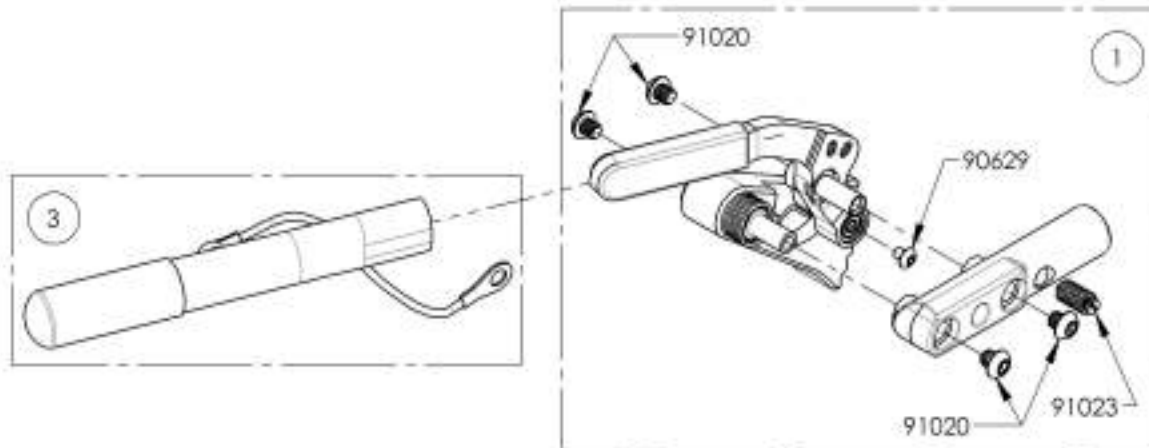


MAKE SURE TO HAVE YOUR SERIAL NUMBER  
NEARBY WHEN ORDERING PARTS FOR YOUR  
MOTION COMPOSITES WHEELCHAIR

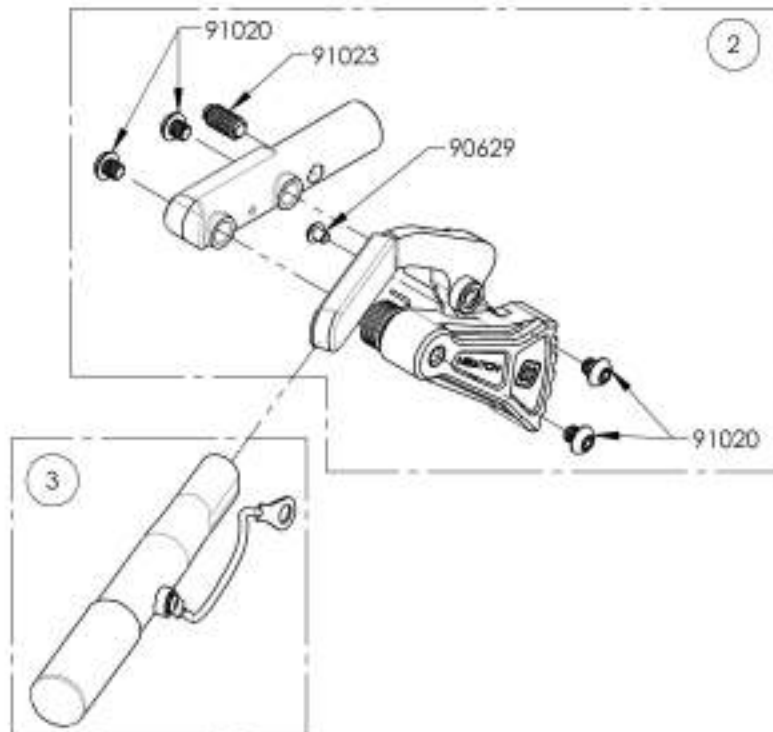
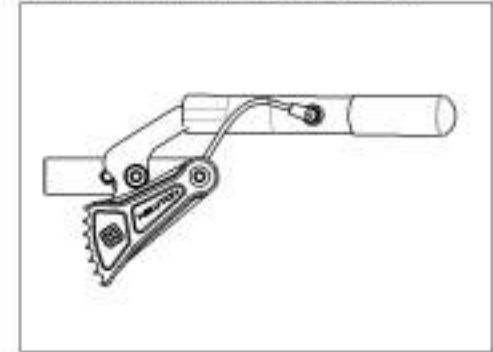
**9001583\_9001584**

**Wheel Lock - Newton Grade Aid, Push to Lock, 6 in Removable Extension Handle**

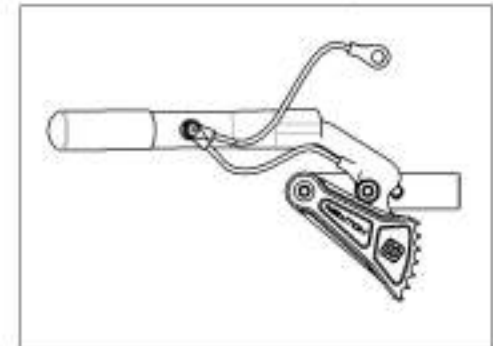
ITEM NO.	PARTNO	DESCRIPTION	9001583 /QTY.	9001584 /QTY.
1	41035	GRADE AID BRAKE RIGHT - ASSEMBLY	1	-
2	41036	GRADE AID BRAKE LEFT - ASSEMBLY	-	1
3	41005	REMOVABLE EXTENSION HANDLE	1	1



9001583  
Wheel Lock - Newton Grade Aid, Push to lock, 6 in Removable Extension Handle, Right



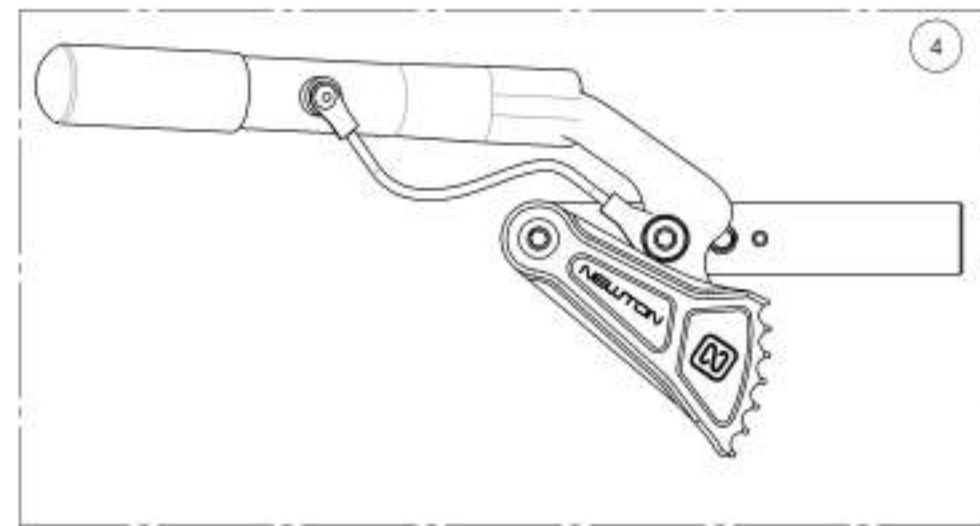
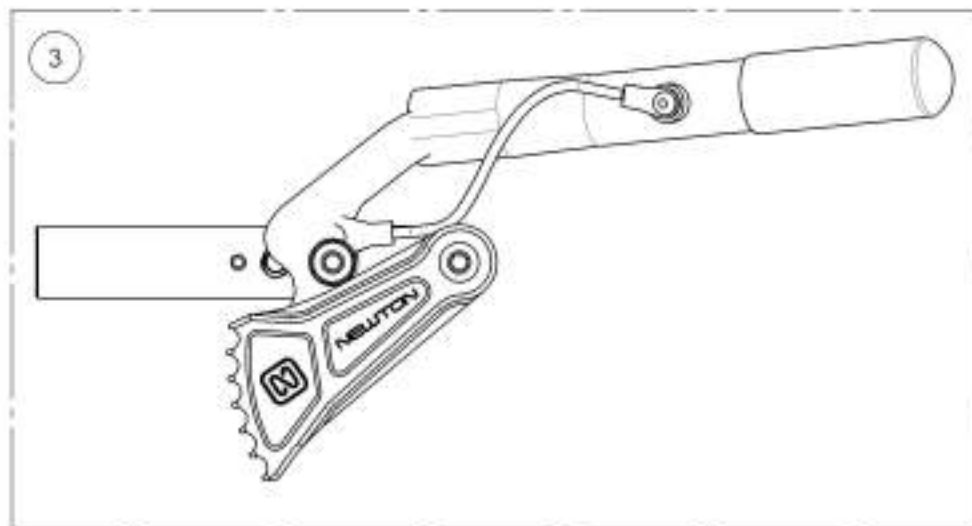
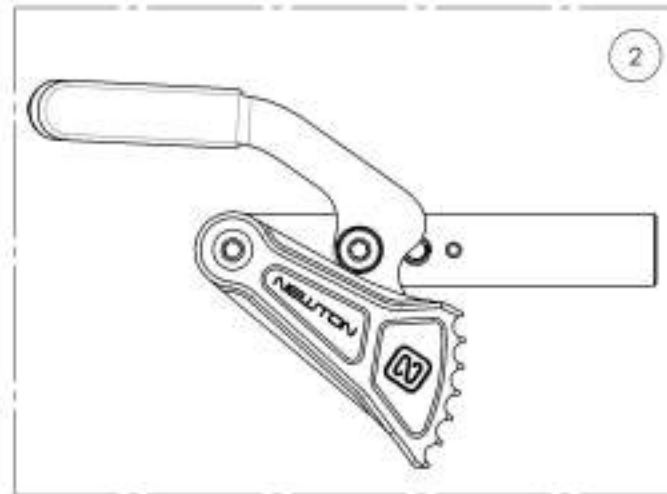
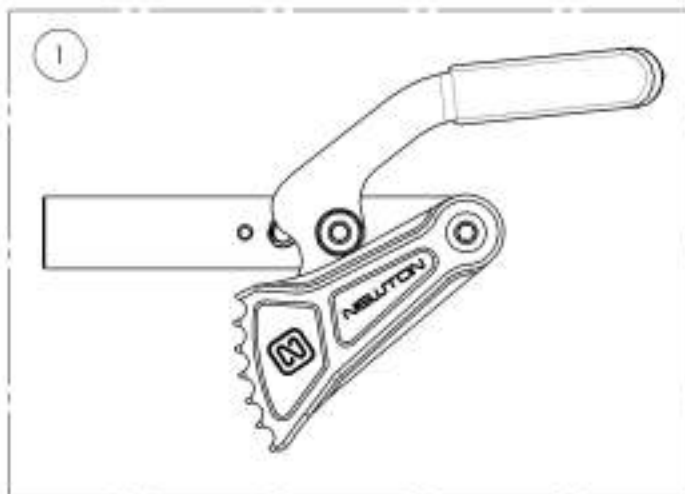
9001584  
Wheel Lock - Newton Grade Aid, Push to lock, 6 in Removable Extension Handle, Left



MAKE SURE TO HAVE YOUR SERIAL NUMBER NEARBY WHEN ORDERING PARTS FOR YOUR MOTION COMPOSITES WHEELCHAIR

**Wheel Locks Catalogue**  
**Wheel Lock - Grade Aid With Extended Rail**

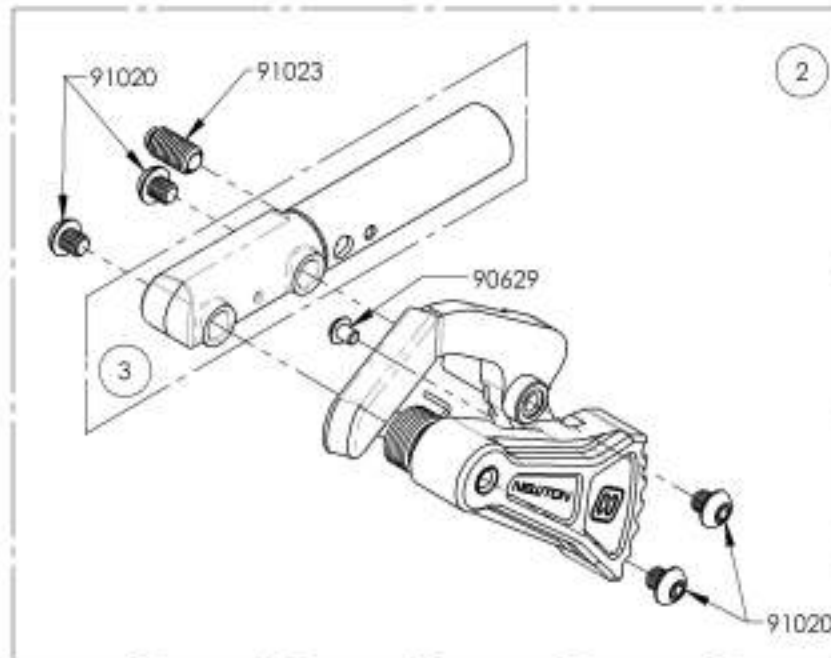
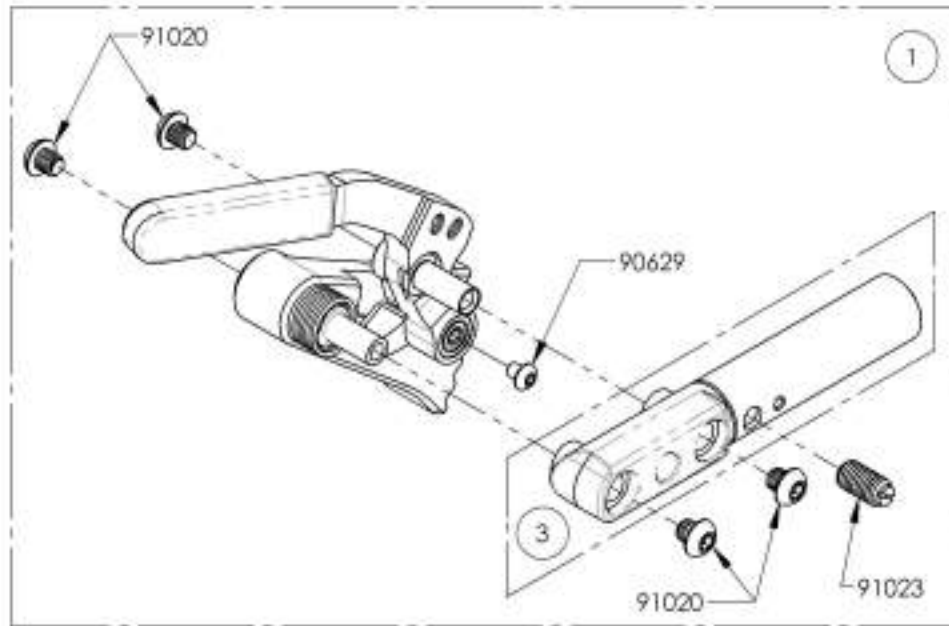
ITEM NO.	PARTNO	DESCRIPTION	QTY.
1	9003029	Wheel Lock - Newton Grade Aid, Push to Lock, Extended Rail, Right	1
2	9003030	Wheel Lock - Newton Grade Aid, Push to Lock, Extended Rail, Left	1
3	9003031	Wheel Lock - Newton Grade Aid, Push to Lock, Extended Rail, 6 in Removable Extension Handle, Right	1
4	9003032	Wheel Lock - Newton Grade Aid, Push to Lock, Extended Rail, 6 in Removable Extension Handle, Left	1



MAKE SURE TO HAVE YOUR SERIAL NUMBER  
 NEARBY WHEN ORDERING PARTS FOR YOUR  
 MOTION COMPOSITES WHEELCHAIR

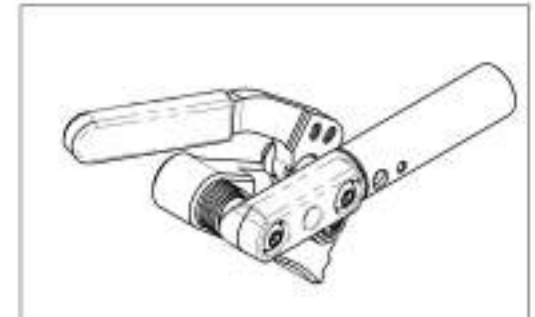
**9003029\_9003030**

**Wheel Lock - Newton Grade Aid, Push to Lock, Extended Rail**



ITEM NO.	PART NO.	DESCRIPTION	9003029 /QTY.	9003030 /QTY.	REPLACEMENT PARTS/QTY.
1	41514	NEWTON GRADE AID WHEEL LOCK WITH EXTENDED RAIL, RIGHT - ASSEMBLY	1	-	-
2	41515	NEWTON GRADE AID WHEEL LOCK WITH EXTENDED RAIL, LEFT - ASSEMBLY	-	1	-
3	41075	EXTENDED WHEEL LOCK RAIL, GRADE AID	-	-	1

9003029  
Wheel Lock - Newton Grade Aid,  
Push to Lock, Extended Rail, Right



9003030  
Wheel Lock - Newton Grade Aid,  
Push to Lock, Extended Rail, Left

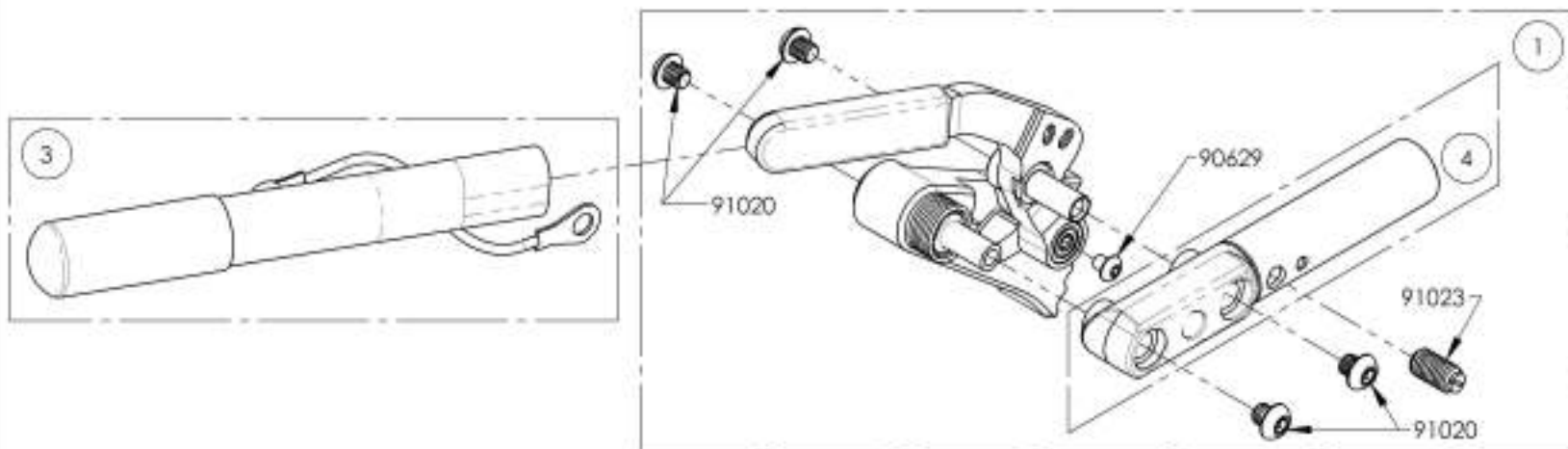


MAKE SURE TO HAVE YOUR SERIAL NUMBER NEARBY WHEN ORDERING PARTS FOR YOUR MOTION COMPOSITES WHEELCHAIR

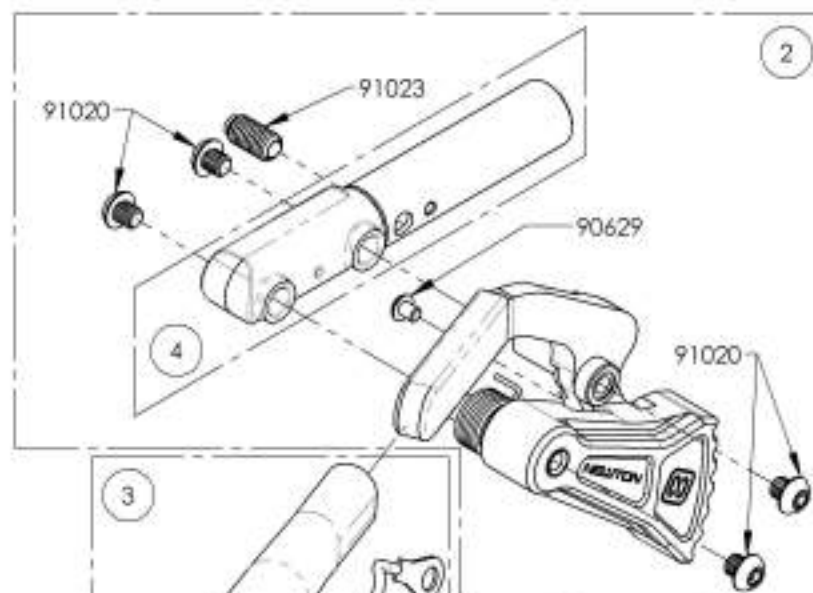
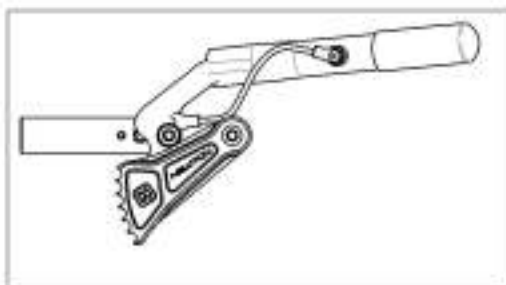
**9003031\_9003032**

**Wheel Lock - Newton Grade Aid, Push to Lock, Extended Rail, 6 in Removable Extension Handle, Right**

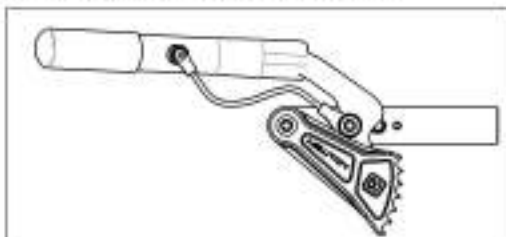
ITEM NO.	PARTNO	DESCRIPTION	9003031 /QTY.	9003032 /QTY.	REPLACEMENT PARTS/QTY.
1	41514	NEWTON GRADE AID WHEEL LOCK WITH EXTENDED RAIL, RIGHT - ASSEMBLY	1	-	-
2	41515	NEWTON GRADE AID WHEEL LOCK WITH EXTENDED RAIL, LEFT - ASSEMBLY	-	1	-
3	41003	REMOVABLE EXTENSION HANDLE	1	1	-
4	41075	EXTENDED WHEEL LOCK RAIL, GRADE AID	-	-	1



9003031  
Wheel Lock - Newton Grade Aid,  
Push to Lock, Extended Rail, 6 in  
Removable Extension Handle, Right



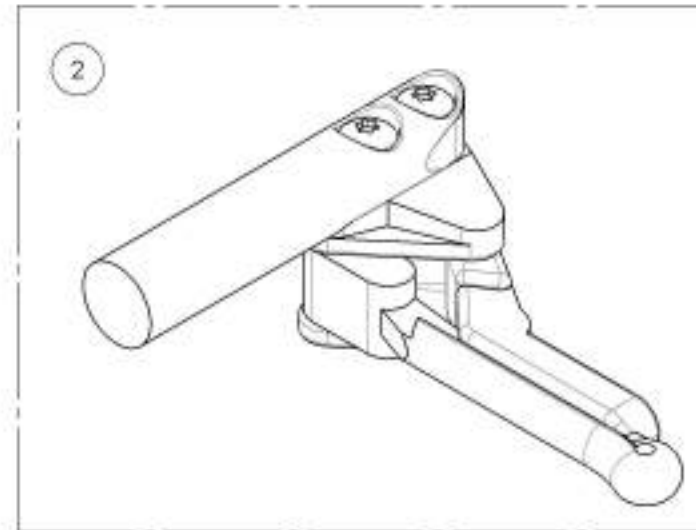
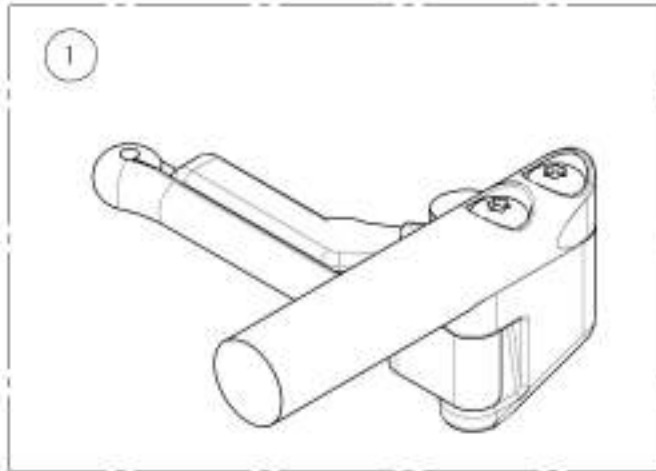
9003032  
Wheel Lock - Newton Grade Aid,  
Push to Lock, Extended Rail, 6 in  
Removable Extension Handle, Left



MAKE SURE TO HAVE YOUR SERIAL NUMBER  
NEARBY WHEN ORDERING PARTS FOR YOUR  
MOTION COMPOSITES WHEELCHAIR

**Wheel Locks Catalogue**  
**Wheel Lock - Scissor**

ITEM NO.	PARTNO	DESCRIPTION	QTY.
1	9001585	Wheel Lock - Scissor, Right	1
2	9001586	Wheel Lock - Scissor, Left	1

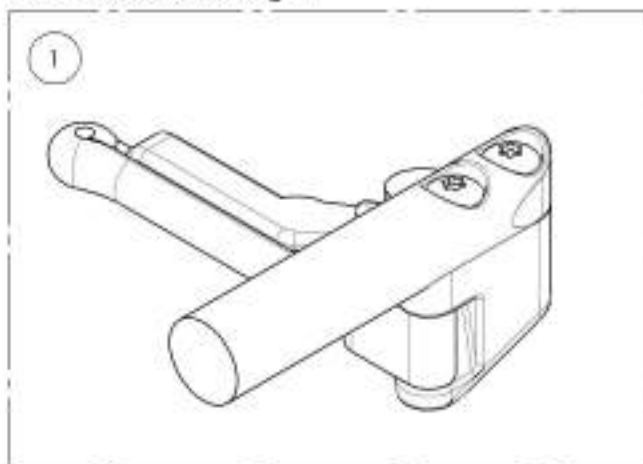


MAKE SURE TO HAVE YOUR SERIAL NUMBER  
NEARBY WHEN ORDERING PARTS FOR YOUR  
MOTION COMPOSITES WHEELCHAIR

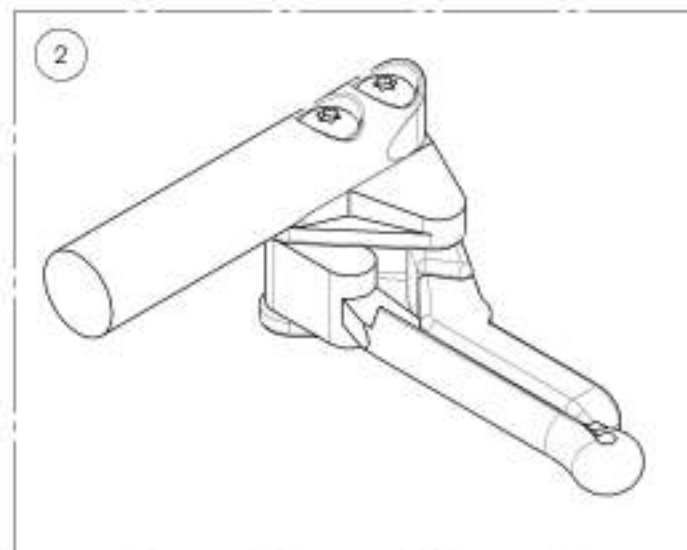
**9001585\_9001586**  
**Wheel Lock - Scissor**

ITEM NO.	PART NO	DESCRIPTION	9001585 /QTY.	9001586 /QTY.
1	41039	OUT-FRONT SCISSOR WHEEL LOCK RIGHT	1	-
2	41038	OUT-FRONT SCISSOR WHEEL LOCK LEFT	-	1

9001585  
Wheel Lock - Scissor, Right



9001586  
Wheel Lock - Scissor, Left

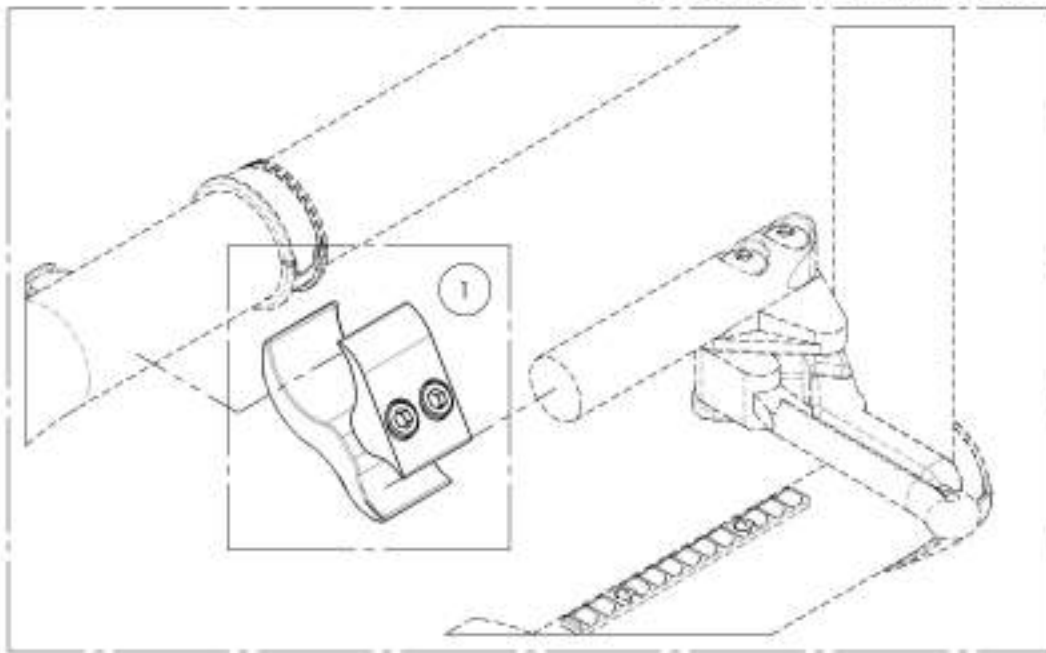


MAKE SURE TO HAVE YOUR SERIAL NUMBER  
NEARBY WHEN ORDERING PARTS FOR YOUR  
MOTION COMPOSITES WHEELCHAIR

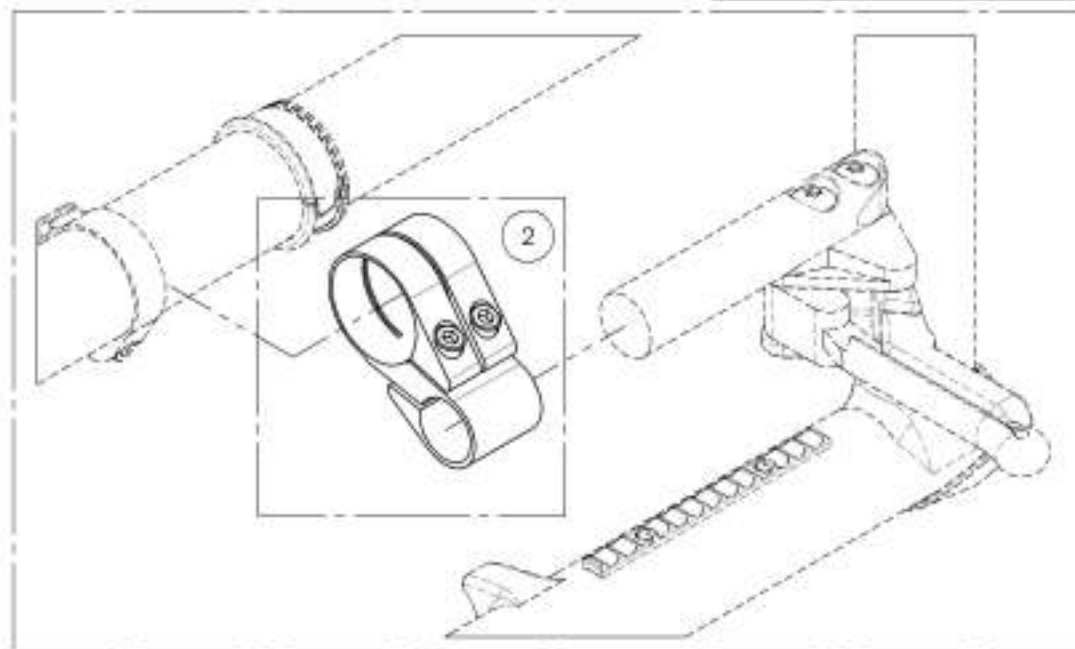
**Wheel Locks Catalogue**  
**Wheel Lock - Clamps**

ITEM NO.	PARTNO	DESCRIPTION	QTY.
1	9001211	Wheel lock - Two Part Clamp	1
2	9001212	Wheellock - Ultralight One Part Clamp	1

**FOR ALUMINUM FRAME**



**FOR CARBON FRAME**

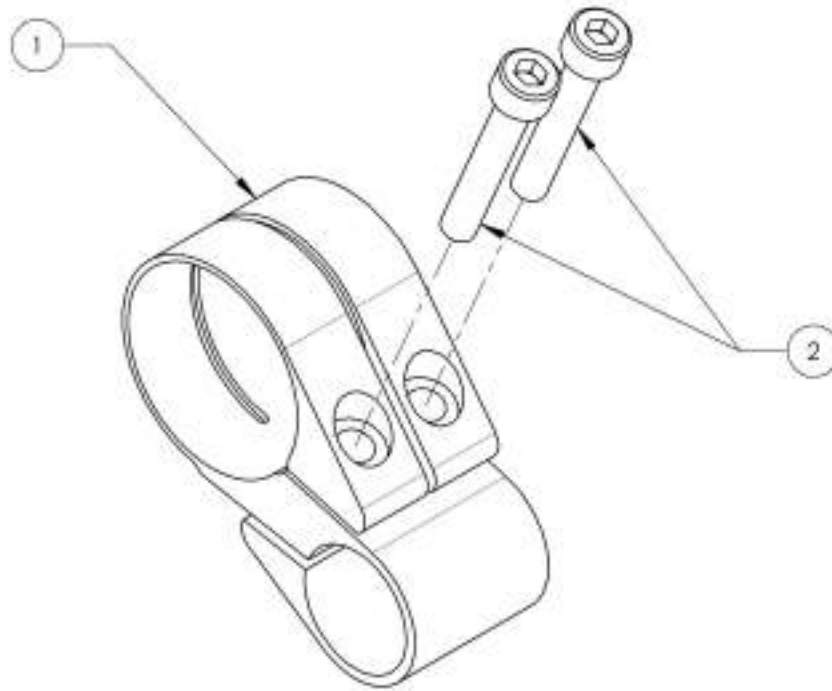


MAKE SURE TO HAVE YOUR SERIAL NUMBER  
NEARBY WHEN ORDERING PARTS FOR YOUR  
MOTION COMPOSITES WHEELCHAIR



**9001212**  
**Wheel lock - Ultralight One Part Clamp**

ITEM NO.	PARTNO	DESCRIPTION	9001212 /QTY.
1	41017	V2 BRAKE CLAMP	1
2	90752	SOCKET CAP SCREW M5X0.8 X 30mm LONG, 22mm THREADED + BLUE TREADLOCKER - BLACK DMC	2

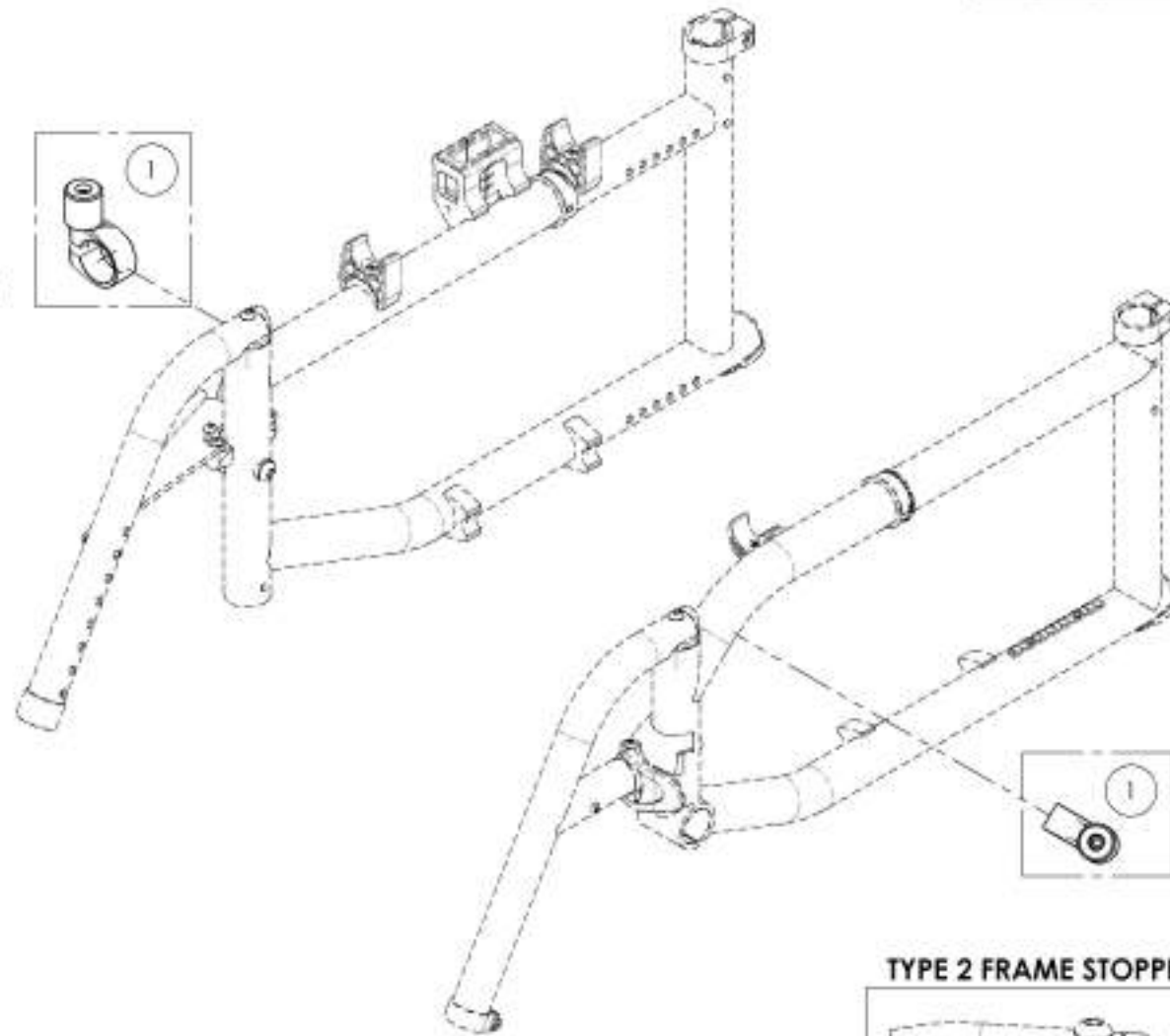
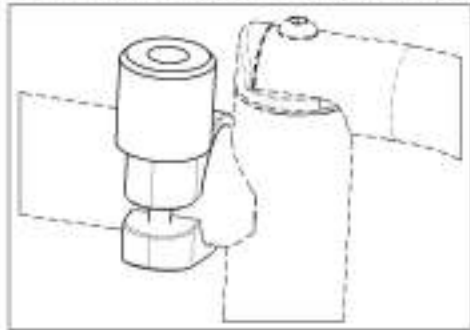


MAKE SURE TO HAVE YOUR SERIAL NUMBER  
NEARBY WHEN ORDERING PARTS FOR YOUR  
MOTION COMPOSITES WHEELCHAIR

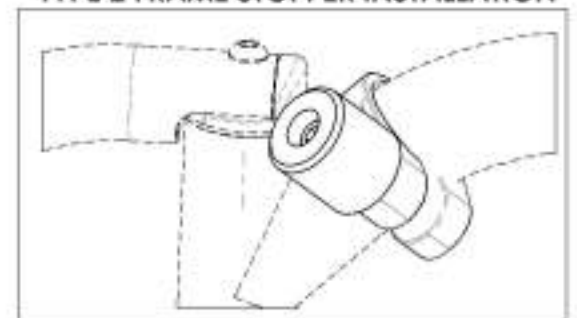
**Wheel Locks Catalogue**  
**Footrest Stopper**

ITEM NO.	PARTNO.	DESCRIPTION	QTY
1	9003048	Wheel Lock - Footrest Stopper	2

**TYPE 1 FRAME STOPPER INSTALLATION**



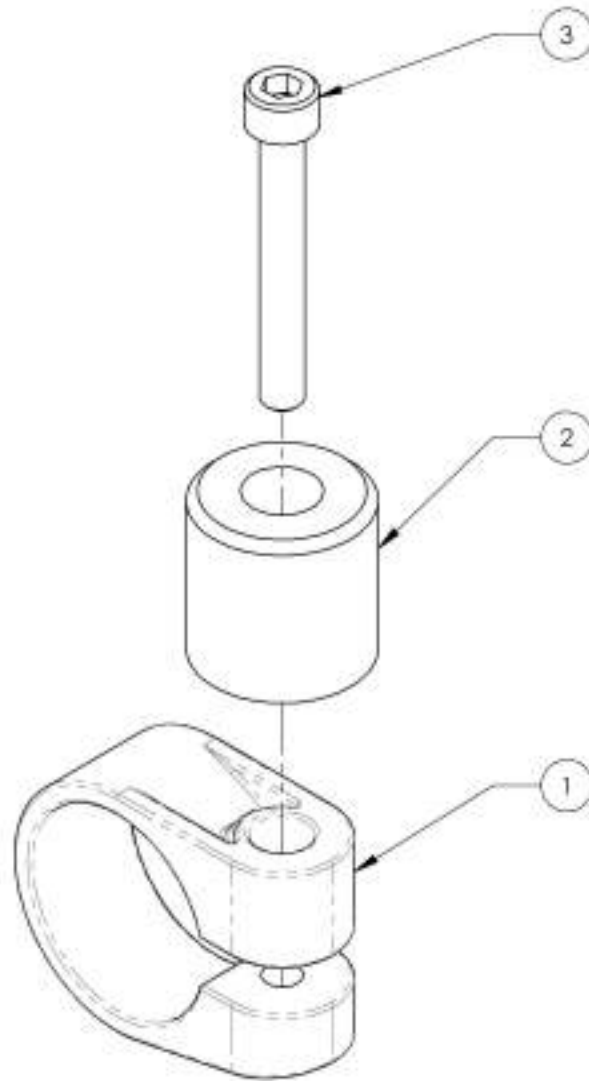
**TYPE 2 FRAME STOPPER INSTALLATION**



MAKE SURE TO HAVE YOUR SERIAL NUMBER  
NEARBY WHEN ORDERING PARTS FOR YOUR  
MOTION COMPOSITES WHEELCHAIR

**9003048**  
**Wheel Lock - Footrest Stopper**

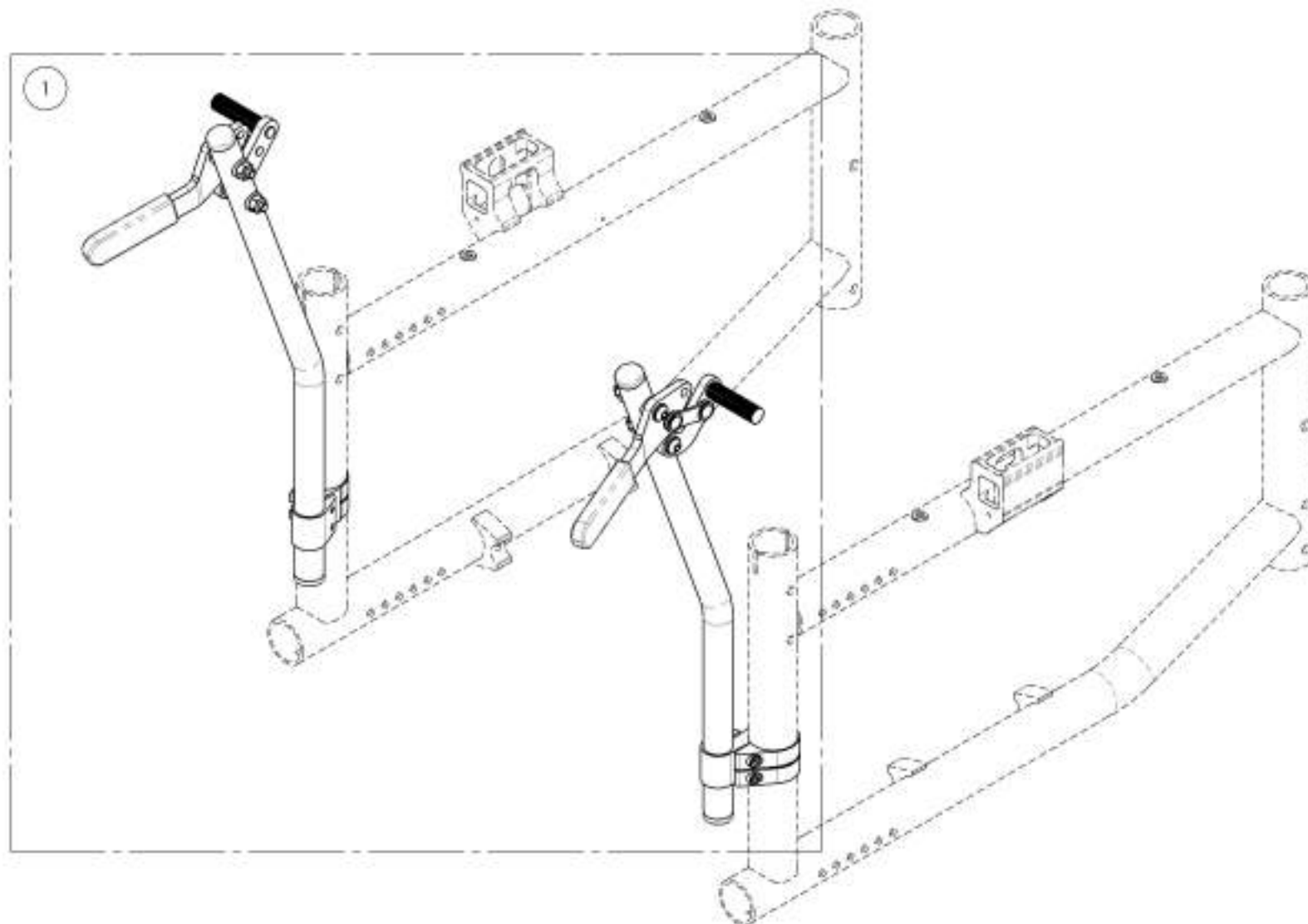
ITEM NO.	PARTNO	DESCRIPTION	9003048 /QTY.
1	60201	FRAME SAVER	1
2	41120	WHEEL LOCK STOPPER	1
3	90777	SOCKET CAP SCREW M5X1 X 45mm LONG, 24mm THREADED + BLUE TREADLOCKER - BLACK ZINC	1



MAKE SURE TO HAVE YOUR SERIAL NUMBER  
NEARBY WHEN ORDERING PARTS FOR YOUR  
MOTION COMPOSITES WHEELCHAIR

**Wheel Locks Catalogue**  
**Attendant Wheel Lock, Kit**

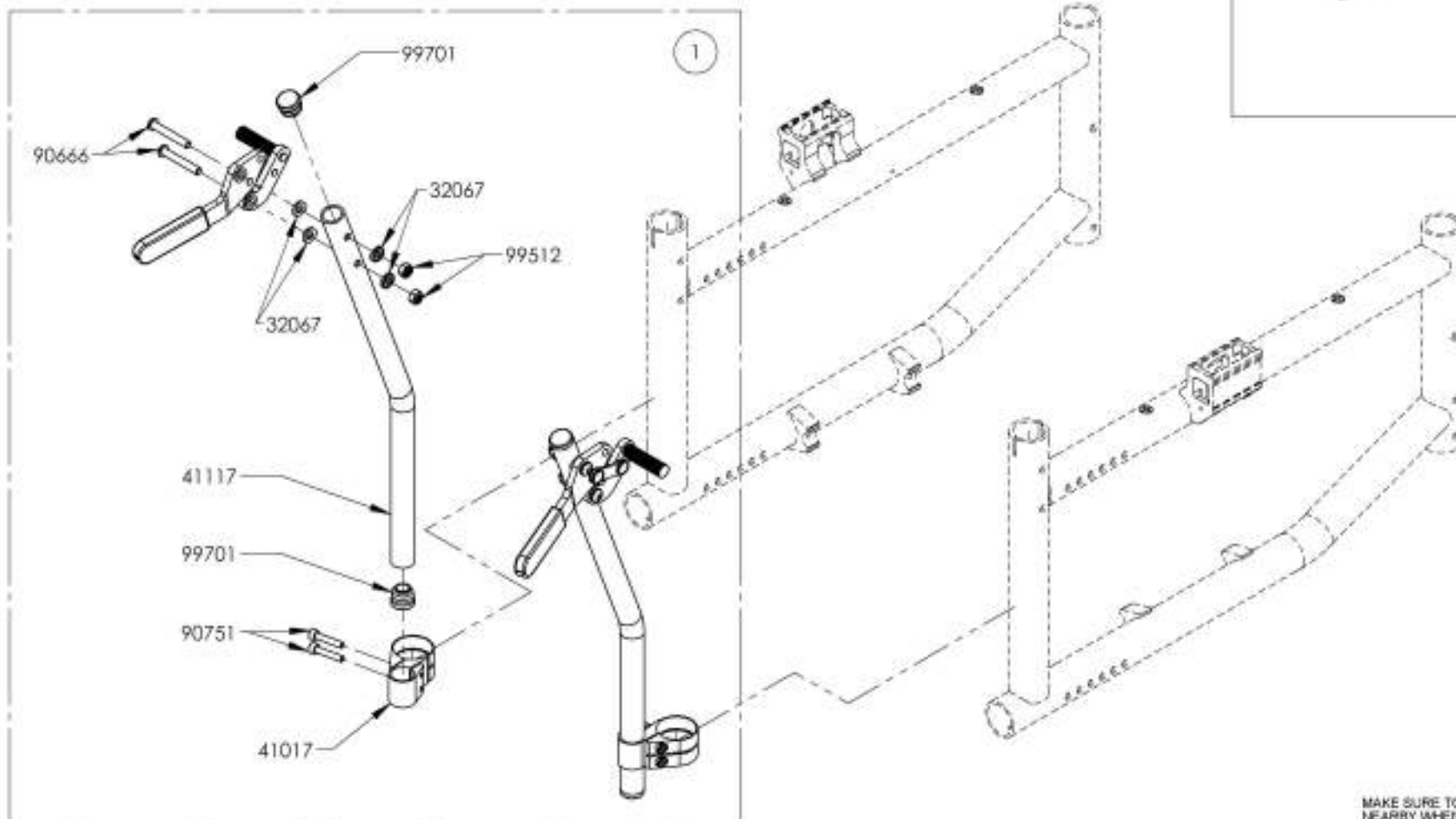
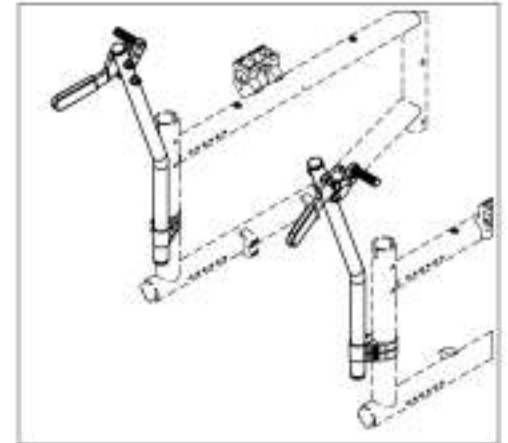
ITEM NO.	PART NO.	DESCRIPTION	QTY
1	9001374	Attendant Wheel Lock, Kit	1



MAKE SURE TO HAVE YOUR SERIAL NUMBER  
NEARBY WHEN ORDERING PARTS FOR YOUR  
MOTION COMPOSITES WHEELCHAIR

**9001574**  
**Attendant Wheel Lock, Kit**

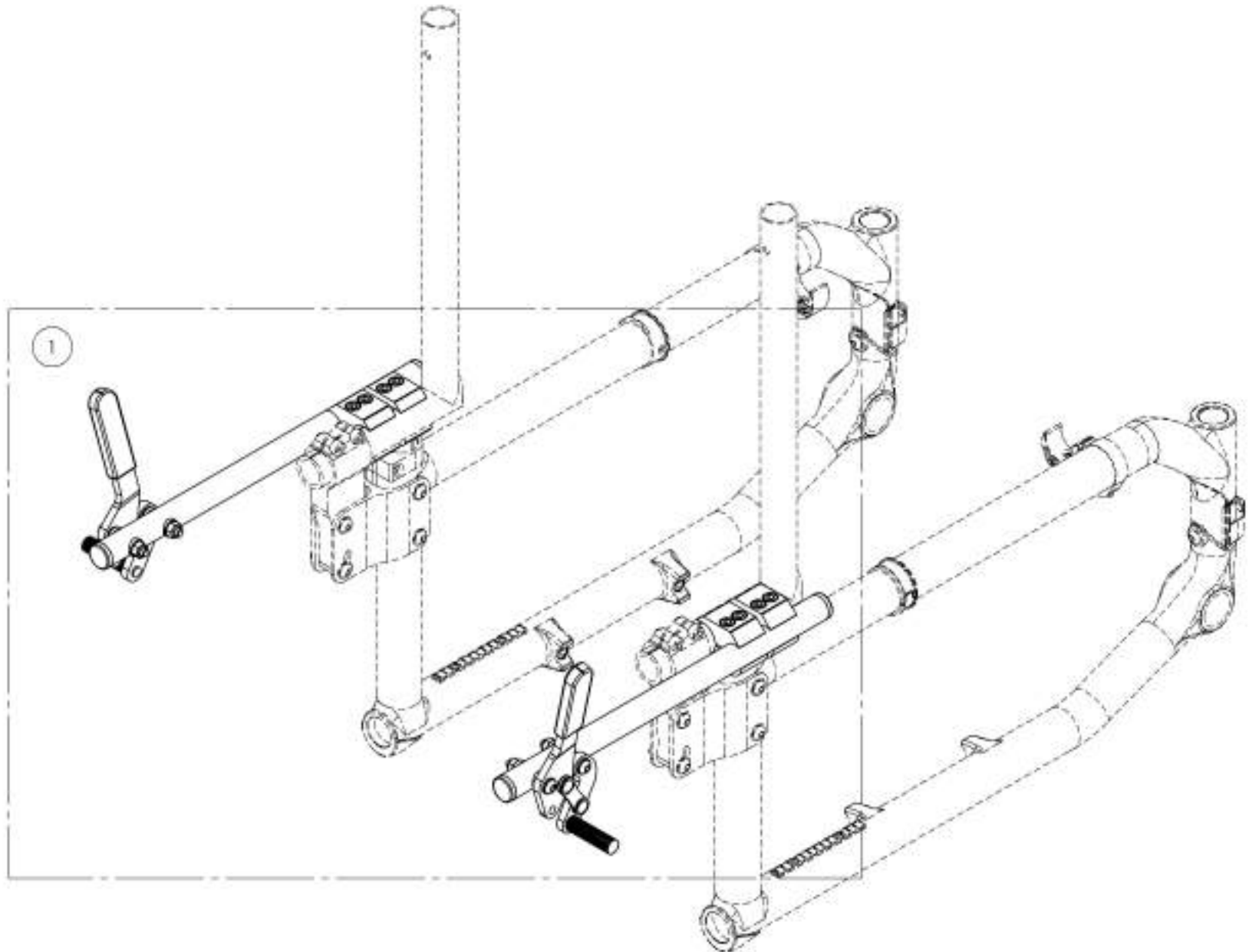
ITEM NO.	PARTNO	DESCRIPTION	9001574 /QTY.
1	41711	ATTENDANT WHEEL LOCK - ASSY (PAIR)	1



MAKE SURE TO HAVE YOUR SERIAL NUMBER  
 NEARBY WHEN ORDERING PARTS FOR YOUR  
 MOTION COMPOSITES WHEELCHAIR

**Wheel Locks Catalogue**  
**Attendant Wheel Lock Kit (Depth Adjustable Back)**

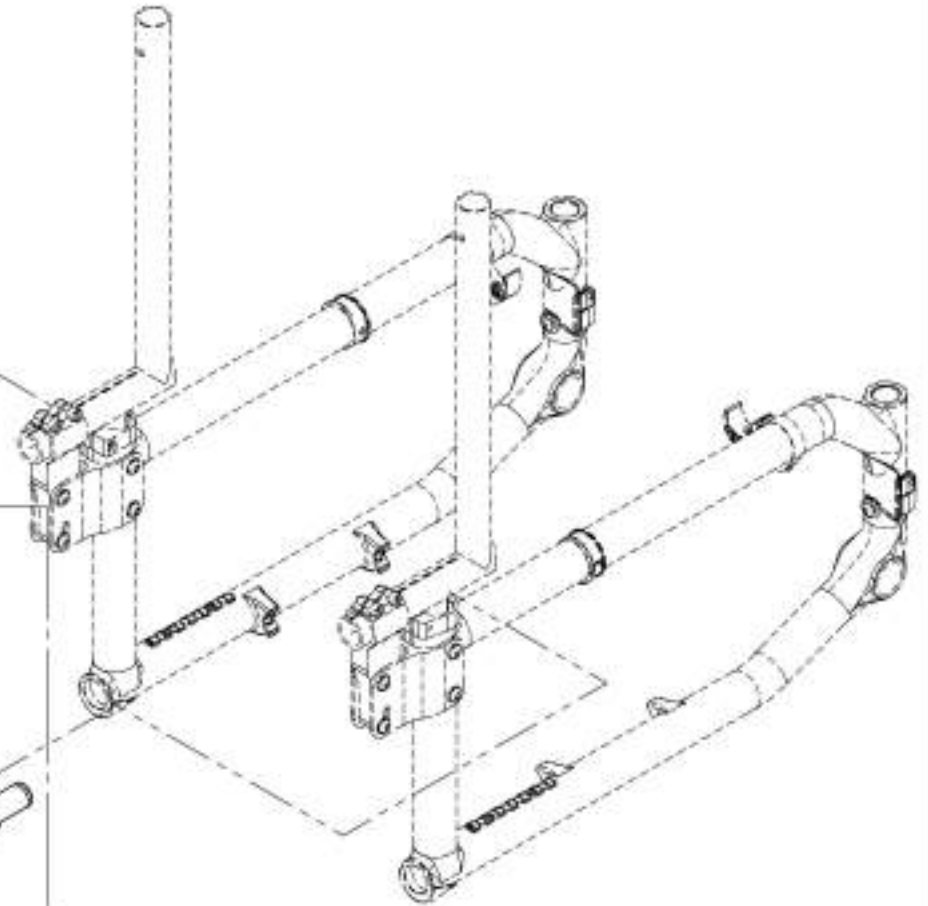
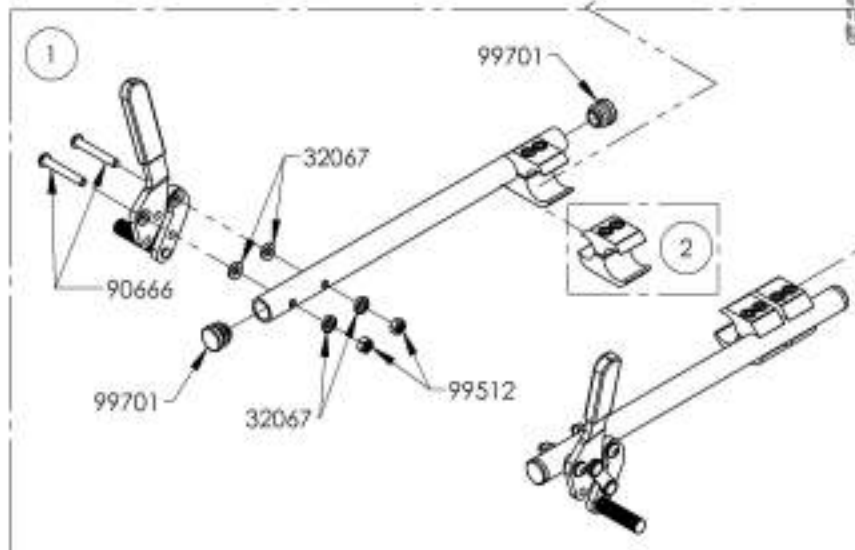
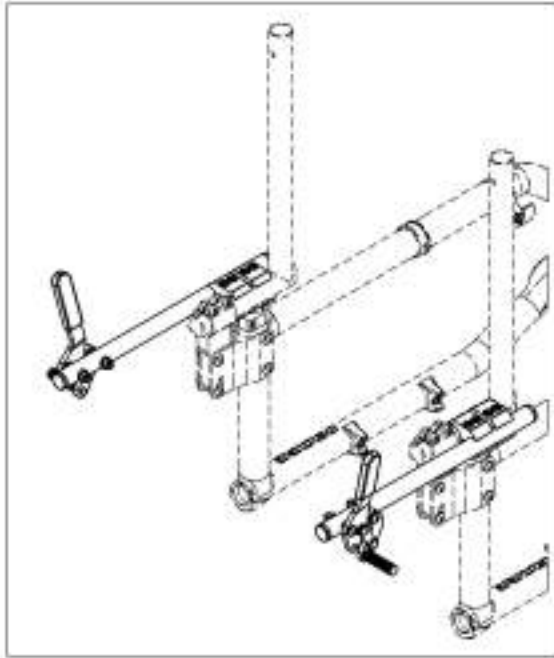
ITEM NO.	PARTNO	DESCRIPTION	QTY
1	9003080	Attendant Wheel Lock, Depth Adj. Back, Kit	1



MAKE SURE TO HAVE YOUR SERIAL NUMBER  
NEARBY WHEN ORDERING PARTS FOR YOUR  
MOTION COMPOSITES WHEELCHAIR

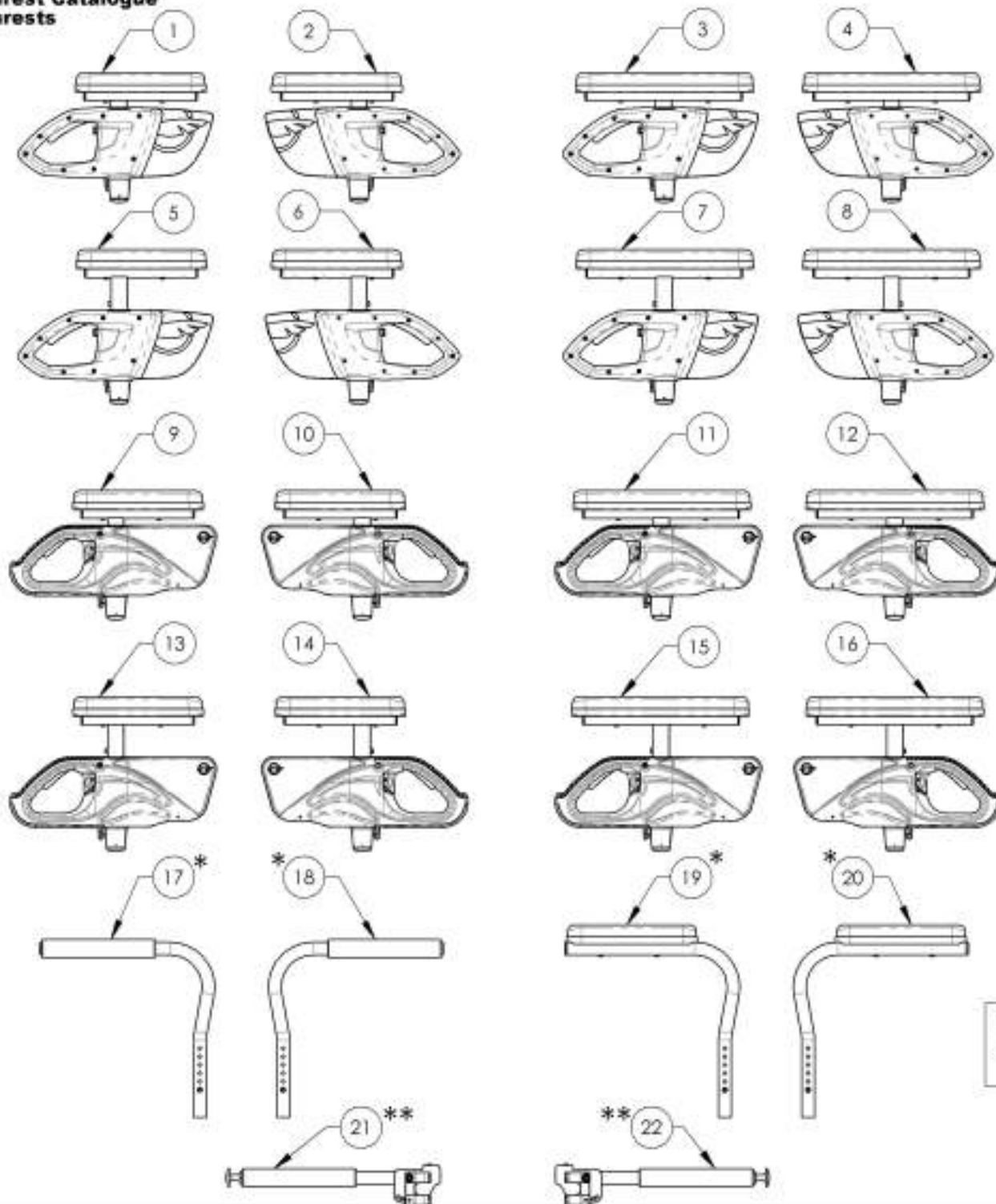
**9003080**  
**Attendant Wheel Lock, Depth Adj. Back, Kit**

ITEM NO.	PARTNO	DESCRIPTION	9003080 /QTY.	REPLACEMENT PARTS/QTY.
1	41706	ATTENDANT WHEEL LOCK DEPTH ADJ BACK - ASSY (PAIR)	1	-
2	41709	0.75-1 in CLAMP - ASSY	-	1



MAKE SURE TO HAVE YOUR SERIAL NUMBER  
 NEARBY WHEN ORDERING PARTS FOR YOUR  
 MOTION COMPOSITES WHEELCHAIR

## Armrest Catalogue Armrests



ITEM NO.	PART NO.	DESCRIPTION	QTY
1	9003551	Armrest - Flip Back & T Type Right, 8-12 in. Desk Length	1
2	9003555	Armrest - T Type, Left, 8-12 in. Desk Length	1
3	9003552	Armrest - Flip Back & T Type Right, 8-12 in. Full Length	1
4	9003556	Armrest - T Type, Left, 8-12 in. Full Length	1
5	9003553	Armrest - T Type, Right, 10-14 in. Desk Length	1
6	9003557	Armrest - T Type, Left, 10-14 in. Desk Length	1
7	9003554	Armrest - T Type, Right, 10-14 in. Full Length	1
8	9003558	Armrest - T Type, Left, 10-14 in. Full Length	1
9	9001299	Armrest - Flip Back & T Type Right, 8-12 in. Desk Length	1
10	9001303	Armrest - Flip Back & T Type Left, 8-12 in. Desk Length	1
11	9001300	Armrest - Flip Back & T Type Right, 8-12 in. Full Length	1
12	9001304	Armrest - Flip Back & T Type Left, 8-12 in. Full Length	1
13	9001301	Armrest - Flip Back & T Type Right, 10-14 in. Desk Length	1
14	9001305	Armrest - Flip Back & T Type Left, 10-14 in. Desk Length	1
15	9001302	Armrest - Flip Back & T Type Right, 10-14 in. Full Length	1
16	9001306	Armrest - Flip Back & T Type Left, 10-14 in. Full Length	1
17 *	9001308	Armrest - Swing Away, Right, Tubular	1
18 *	9001309	Armrest - Swing Away, Left, Tubular	1
19 *	9001310	Armrest - Swing Away, Right, Desk Length	1
20 *	9001311	Armrest - Swing Away, Left, Desk Length	1
21 **	9001316	Locking Armrest - Flip Up, Right	1
22 **	9001317	Locking Armrest - Flip Up, Left	1

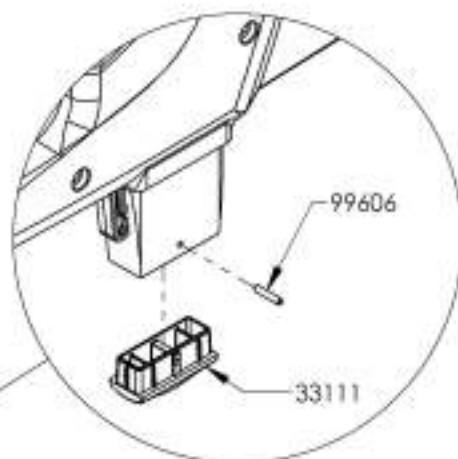
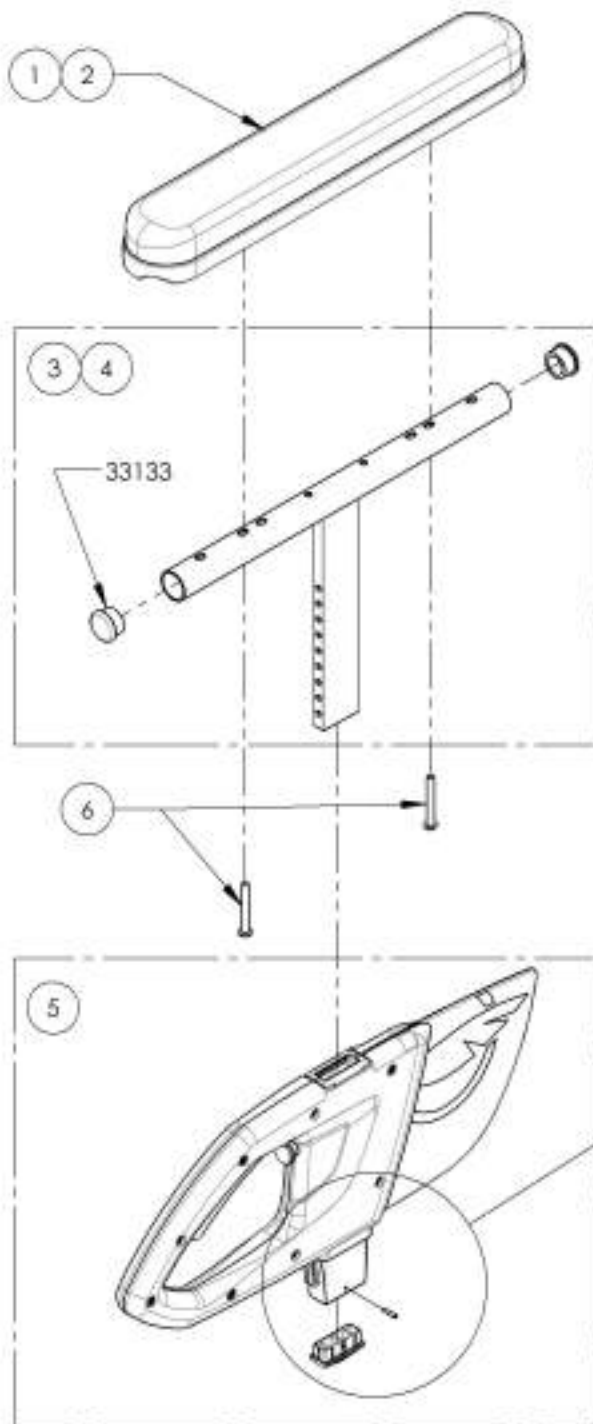
\*:NOT AVAILABLE FOR DEPTH ADJUSTABLE BACK CANES

\*\* :ONLY USE WITH ALUMINIUM BACK CANES [175lbs MAX]

MAKE SURE TO HAVE YOUR SERIAL NUMBER  
NEARBY WHEN ORDERING PARTS FOR YOUR  
MOTION COMPOSITES WHEELCHAIR



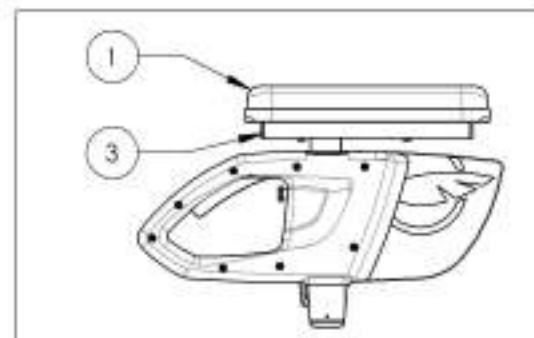
**9003551\_9003552**  
**Armrest - T Type, Right, 8-12 in**



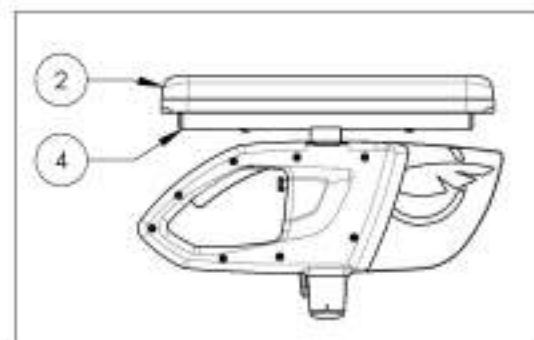
DETAIL B  
 SCALE 2 : 5

ITEM NO.	PARTNO	DESCRIPTION	9003551 /QTY.	9003552 /QTY.
1	33038	ARMREST DESK PAD	1	-
2	33099	ARMREST FULL LENGTH PAD	-	1
3	33579	V2 ARMREST STRUCTURE 8-12" FOR DESK LENGTH - ASSEMBLY	1	-
4	33559	V2 ARMREST STRUCTURE 8-12" FOR FULL LENGTH - ASSEMBLY	-	1
5	33596	V2T ARMREST - ASSEMBLY	1	1
6	99013	SCREW PHILLIPS PAN HD #10,32 X 1,1_2+ BLUE THREADLOCKER	2	2

**9003551**  
 Armrest - Flip Back & T Type Right, 8-12 in, Desk Length

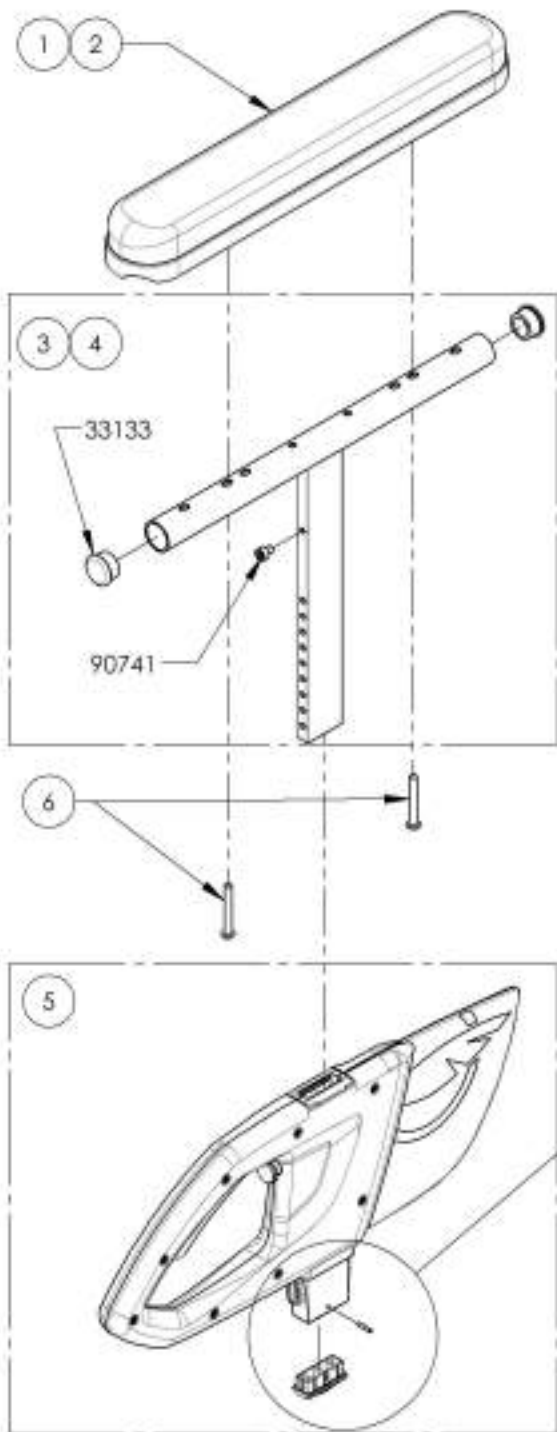


**9003552**  
 Armrest - Flip Back & T Type Right, 8-12 in, Full Length



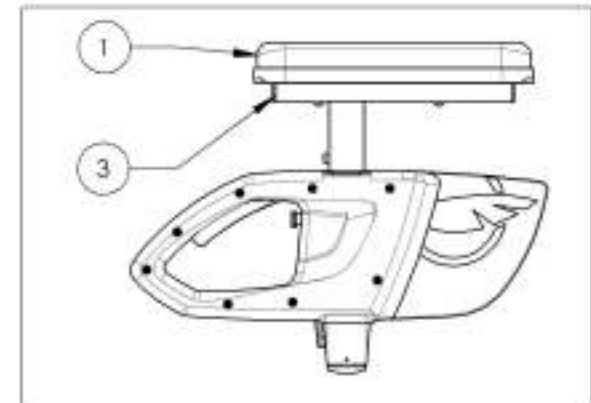
MAKE SURE TO HAVE YOUR SERIAL NUMBER  
 NEARBY WHEN ORDERING PARTS FOR YOUR  
 MOTION COMPOSITES WHEELCHAIR

**9003553\_9003554**  
**Armrest - T Type, Right, 10-14 in**

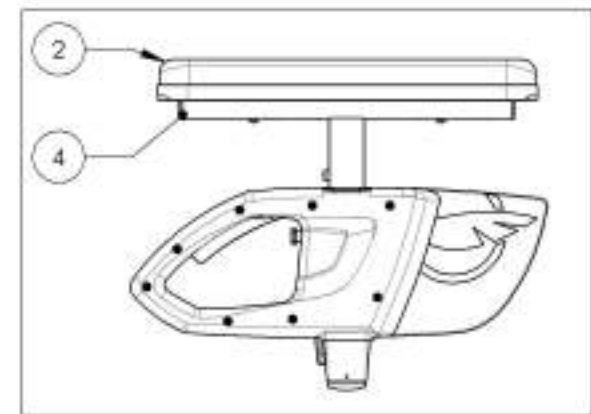


ITEM NO.	PART NO.	DESCRIPTION	9003553 /QTY.	9003554 /QTY.
1	33038	ARMREST DESK PAD	1	-
2	33099	ARMREST FULL LENGTH PAD	-	1
3	33580	V2 ARMREST STRUCTURE 10-14" FOR DESK LENGTH - ASSEMBLY	1	-
4	33560	V2 ARMREST STRUCTURE 10-14" FOR FULL LENGTH - ASSEMBLY	-	1
5	33596	V2T ARMREST - ASSEMBLY	1	1
6	99013	SCREW PHILLIPS PAN HD #10_32 X 1_1_2 + BLUE THREADLOCKER	2	2

**9003553**  
**Armrest - T Type, Right, 10-14 in, Desk Length**

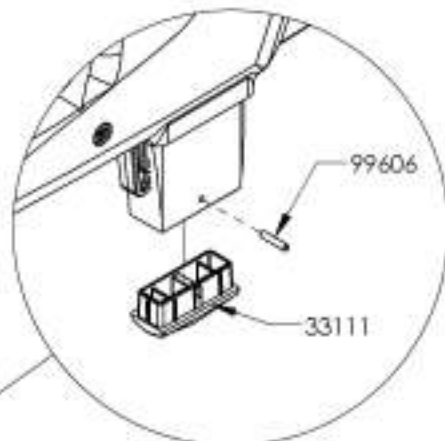
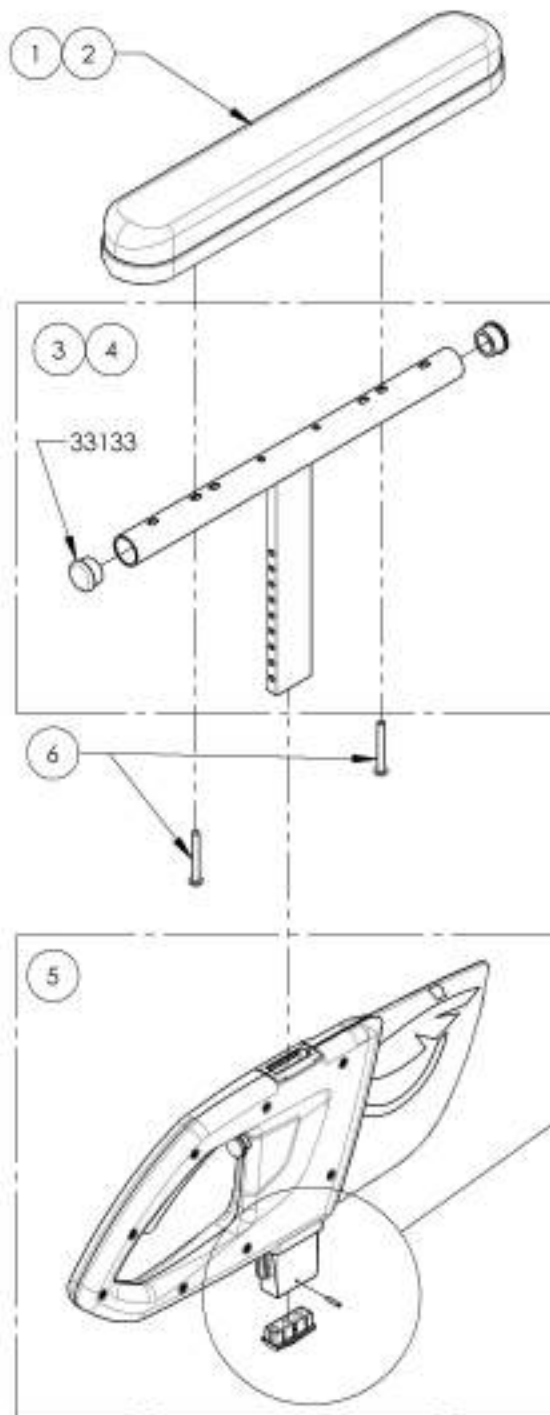


**9003554**  
**Armrest - T Type, Right, 10-14 in, Full Length**



MAKE SURE TO HAVE YOUR SERIAL NUMBER NEARBY WHEN ORDERING PARTS FOR YOUR MOTION COMPOSITES WHEELCHAIR

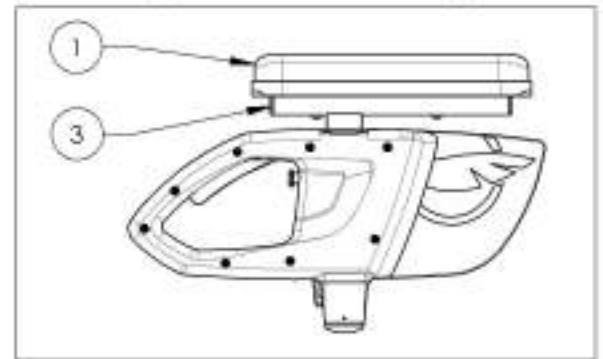
**9003555\_9003556**  
**Armrest - T Type, Left, 8-12 in**



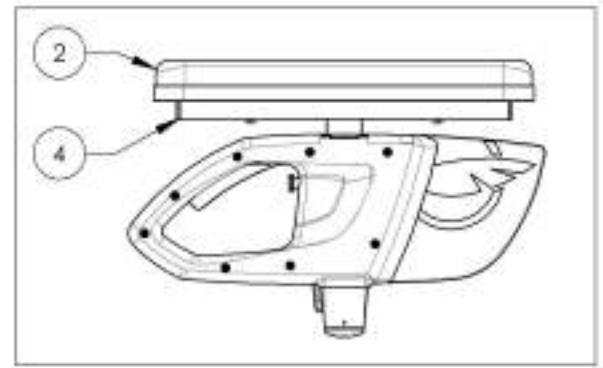
DETAIL A  
 SCALE 2 : 5

ITEM NO.	PARTNO	DESCRIPTION	9003555 /QTY.	9003556 /QTY.
1	33038	ARMREST DESK PAD	1	-
2	33099	ARMREST FULL LENGTH PAD	-	1
3	33579	V2 ARMREST STRUCTURE 8-12" FOR DESK LENGTH - ASSEMBLY	1	-
4	33559	V2 ARMREST STRUCTURE 8-12" FOR FULL LENGTH - ASSEMBLY	-	1
5	33596	V2T ARMREST - ASSEMBLY	1	1
6	99013	SCREW PHILLIPS PAN HD #10_32 X 1_1_2 + BLUE THREADLOCKER	2	2

**9003555**  
**Armrest - T Type, Left, 8-12 in, Desk Length**

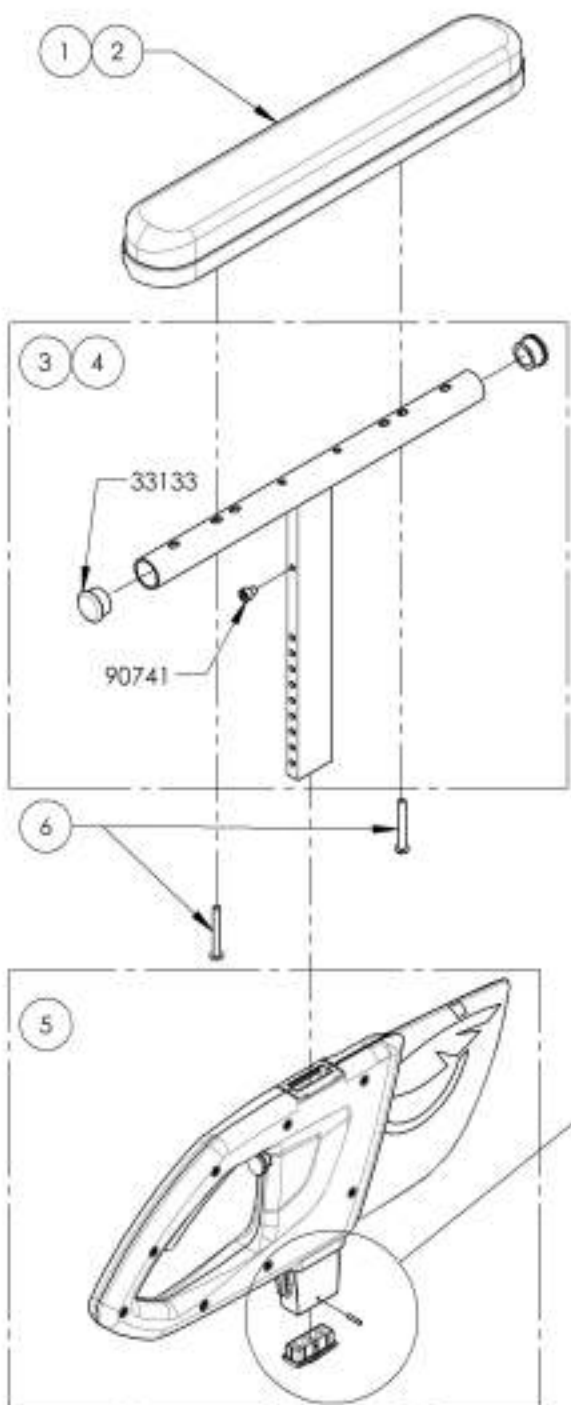


**9003556**  
**Armrest - T Type, Left, 8-12 in, Full Length**



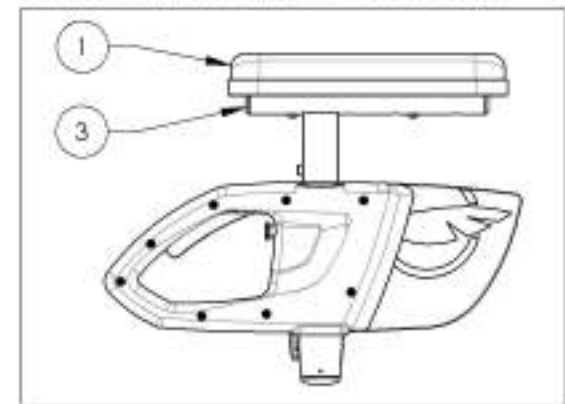
MAKE SURE TO HAVE YOUR SERIAL NUMBER NEARBY WHEN ORDERING PARTS FOR YOUR MOTION COMPOSITES WHEELCHAIR

**9003557\_9003558**  
**Armrest - T Type, Left, 10-14 in**

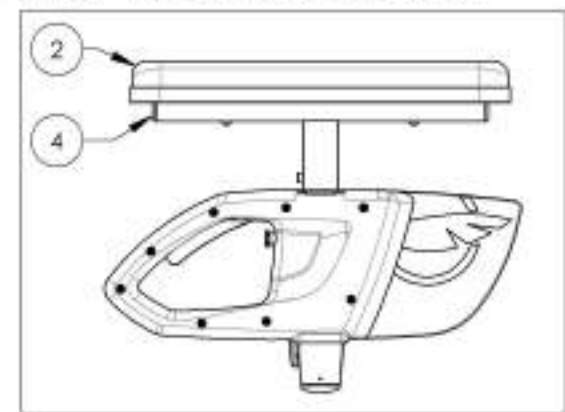


ITEM NO.	PART NO.	DESCRIPTION	9003557 /QTY.	9003558 /QTY.
1	33038	ARMREST DESK PAD	1	-
2	33099	ARMREST FULL LENGTH PAD	-	1
3	33580	V2 ARMREST STRUCTURE 10-14" FOR DESK LENGTH - ASSEMBLY	1	-
4	33560	V2 ARMREST STRUCTURE 10-14" FOR FULL LENGTH - ASSEMBLY	-	1
5	33596	V2T ARMREST - ASSEMBLY	1	1
6	99013	SCREW PHILLIPS PAN HD #10_32 X 1_1_2 + BLUE THREADLOCKER	2	2

**9003557**  
**Armrest - T Type, Left, 10-14 in, Desk Length**

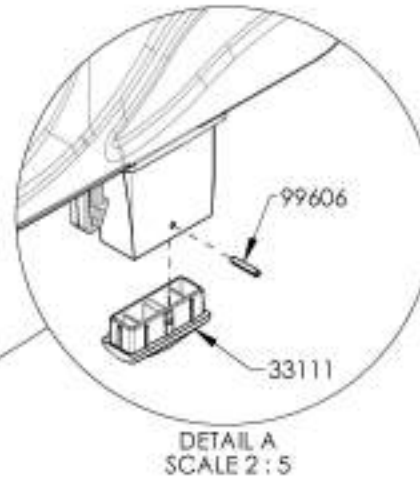
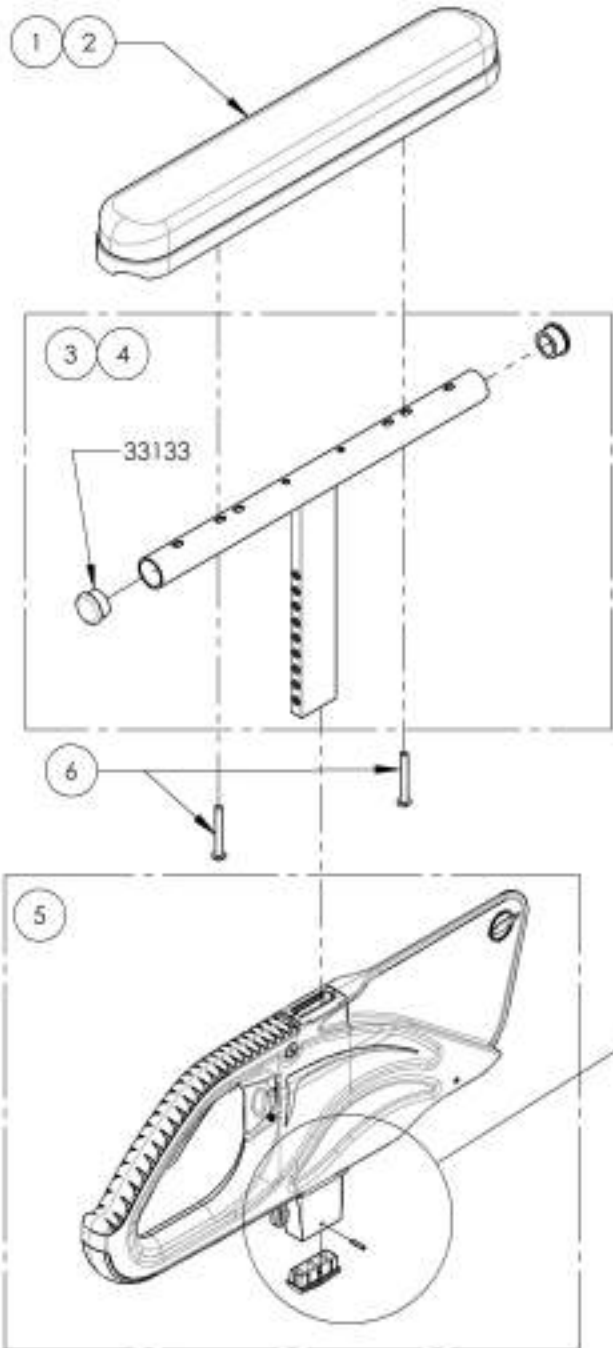


**9003558**  
**Armrest - T Type, Left, 10-14 in, Full Length**



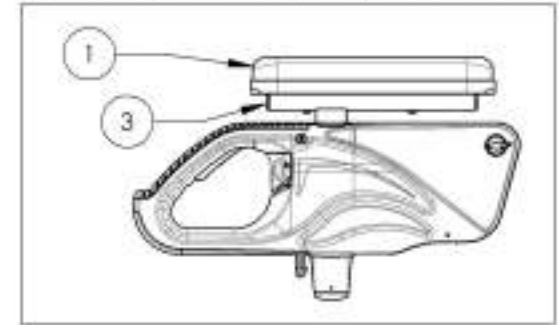
MAKE SURE TO HAVE YOUR SERIAL NUMBER NEARBY WHEN ORDERING PARTS FOR YOUR MOTION COMPOSITES WHEELCHAIR

**9001299\_9001300**  
**Armrest - Flip Back & T Type Right, 8-12 in**

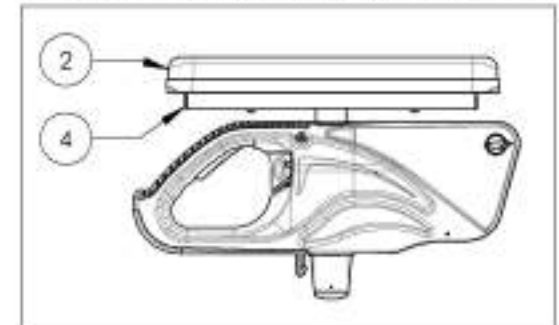


ITEM NO.	PARTNO	DESCRIPTION	9001299 /QTY.	9001300 /QTY.
1	33038	ARMREST DESK PAD	1	-
2	33039	ARMREST FULL LENGTH PAD	-	1
3	33579	V2 ARMREST STRUCTURE 8-12" FOR DESK LENGTH - ASSEMBLY	1	-
4	33559	V2 ARMREST STRUCTURE 8-12" FOR FULL LENGTH - ASSEMBLY	-	1
5	33554	V2 ARMREST - MAIN BODY	1	1
6	99013	SCREW PHILLIPS PAN HD #10_32 X 1_1_2 + BLUE THREADLOCKER	2	2

9001299  
 Armrest - Flip Back & T Type Right, 8-12 in, Desk Length

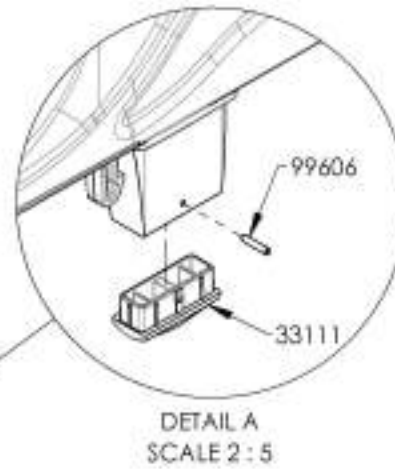
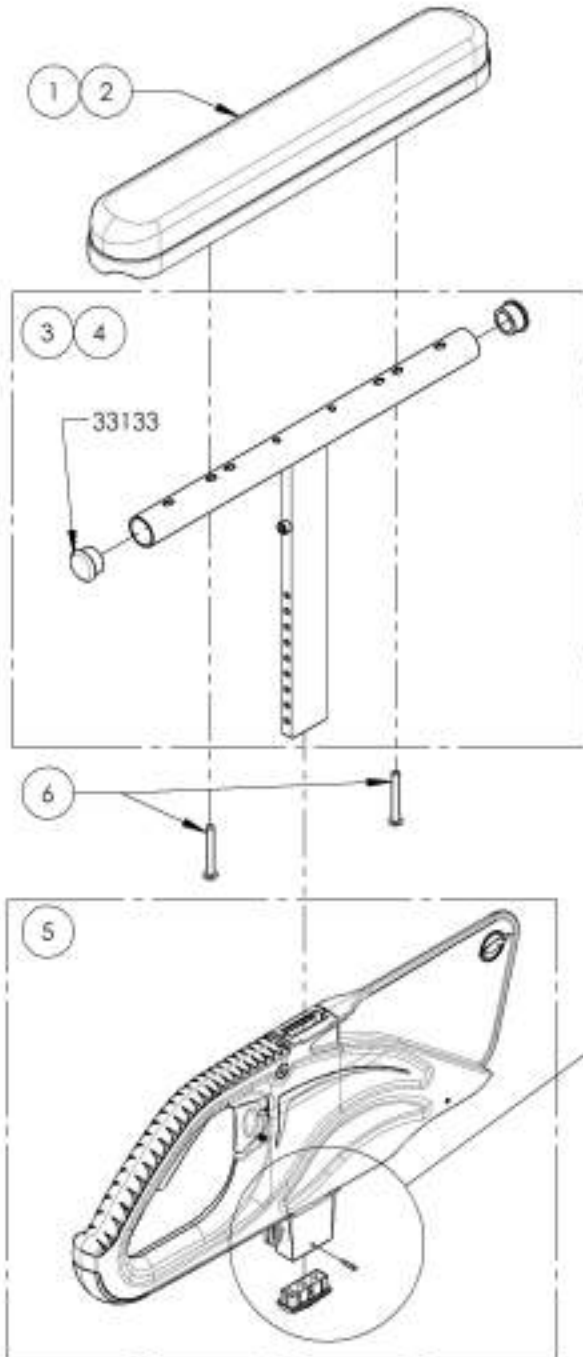


9001300  
 Armrest - Flip Back & T Type Right, 8-12 in, Full Length



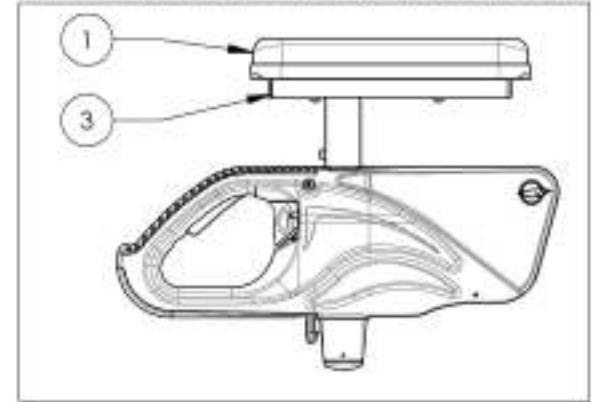
MAKE SURE TO HAVE YOUR SERIAL NUMBER NEARBY WHEN ORDERING PARTS FOR YOUR MOTION COMPOSITES WHEELCHAIR

**9001301\_9001302**  
**Armrest - Flip Back & T Type Right, 10-14 in**

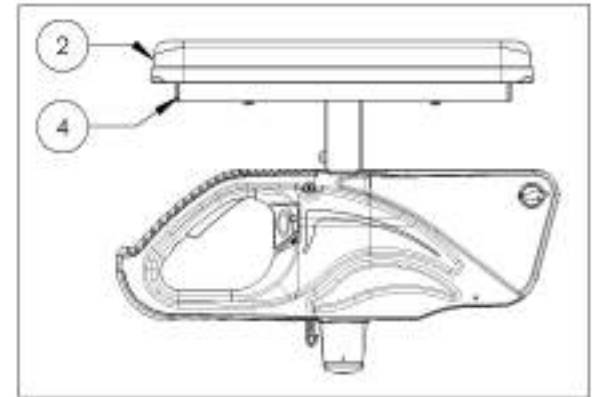


ITEM NO.	PART NO.	DESCRIPTION	9001301 /QTY.	9001302 /QTY.
1	33038	ARMREST DESK PAD	1	-
2	33039	ARMREST FULL LENGTH PAD	-	1
3	33580	V2 ARMREST STRUCTURE 10-14" FOR DESK LENGTH - ASSEMBLY	1	-
4	33560	V2 ARMREST STRUCTURE 10-14" FOR FULL LENGTH - ASSEMBLY	-	1
5	33554	V2 ARMREST - MAIN BODY	1	1
6	99013	SCREW PHILLIPS PAN HD #10,32 X 1,1_2 + BLUE THREADLOCKER	2	2

**9001301**  
**Armrest - Flip Back & T Type Right, 10-14 in, Desk Length**

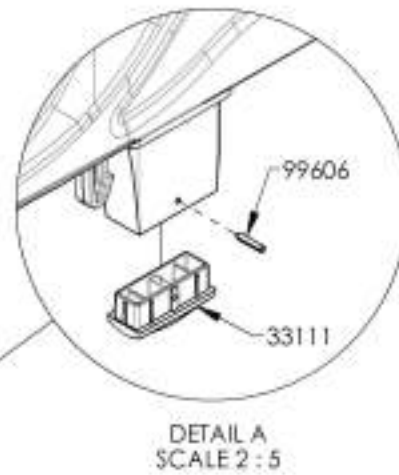
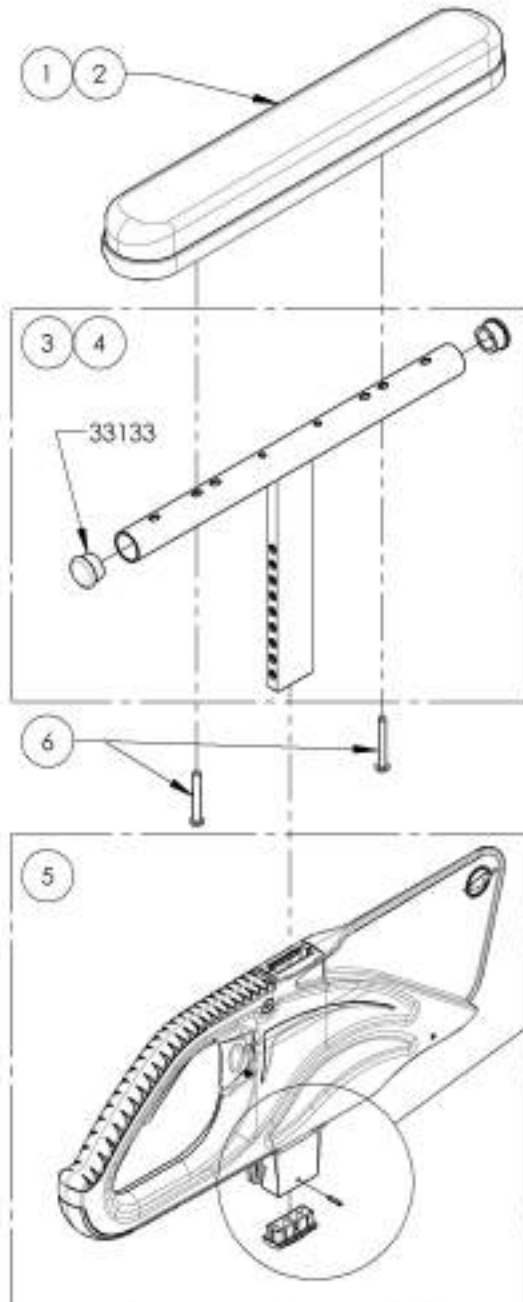


**9001302**  
**Armrest - Flip Back & T Type Right, 10-14 in, Full Length**



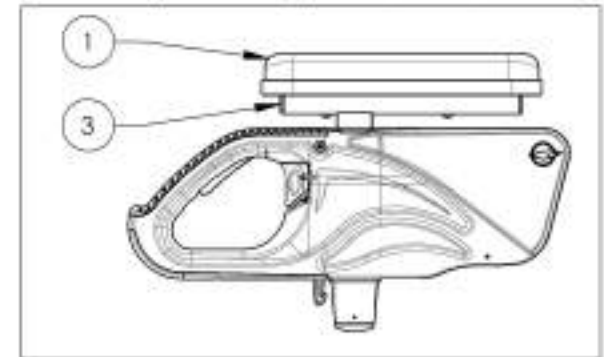
MAKE SURE TO HAVE YOUR SERIAL NUMBER NEARBY WHEN ORDERING PARTS FOR YOUR MOTION COMPOSITES WHEELCHAIR

**9001303\_9001304**  
**Armrest - Flip Back & T Type Left, 8-12 in**

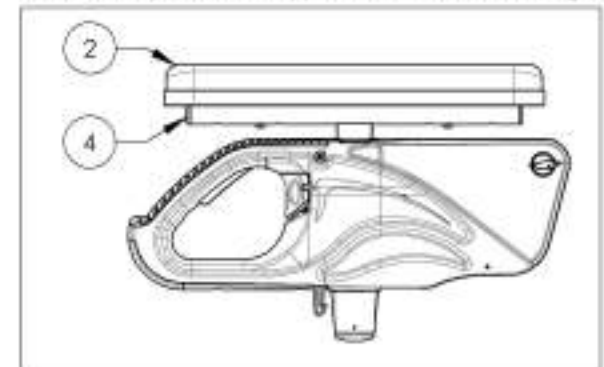


ITEM NO.	PARTNO	DESCRIPTION	9001303 /QTY.	9001304 /QTY.
1	33038	ARMREST DESK PAD	1	-
2	33039	ARMREST FULL LENGTH PAD	-	1
3	33579	V2 ARMREST STRUCTURE 8-12" FOR DESK LENGTH - ASSEMBLY	1	-
4	33589	V2 ARMREST STRUCTURE 8-12" FOR FULL LENGTH - ASSEMBLY	-	1
5	33554	V2 ARMREST - MAIN BODY	1	1
6	99013	SCREW PHILLIPS PAN HD #10_32 X 1_1_2 + BLUE THREADLOCKER	2	2

9001303  
 Armrest - Flip Back & T Type Left, 8-12 in, Desk Length

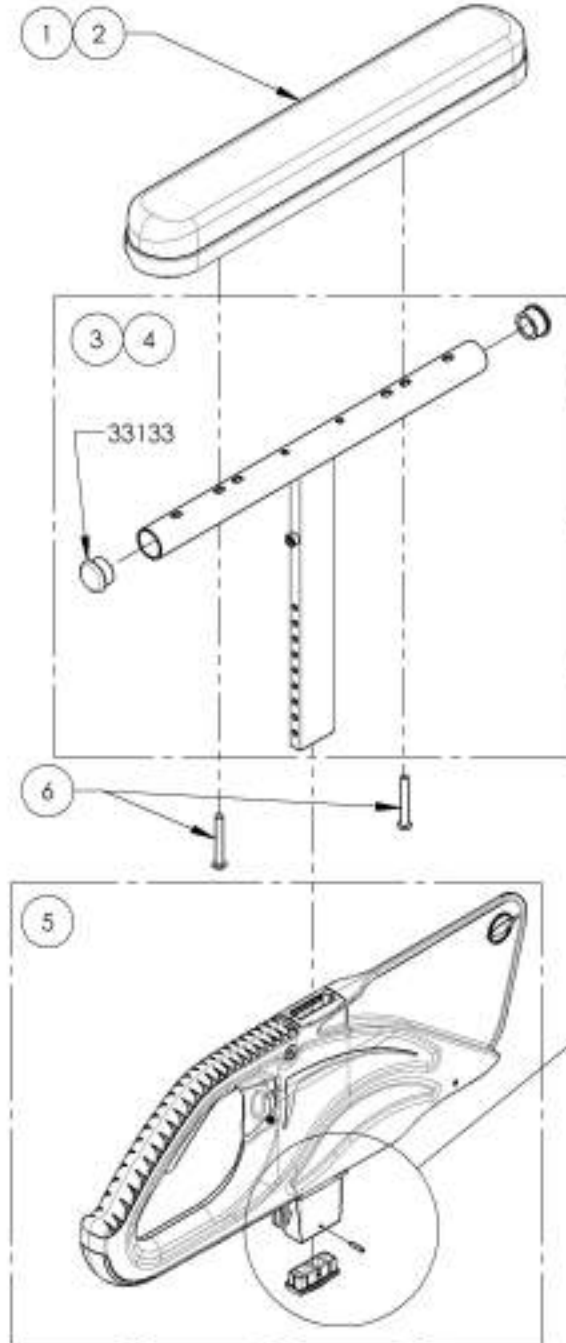


9001304  
 Armrest - Flip Back & T Type Left, 8-12 in, Full Length



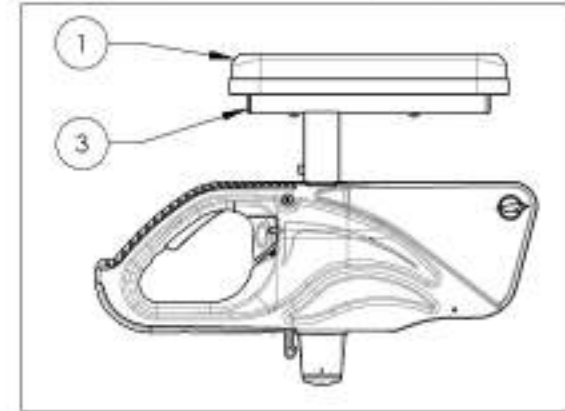
MAKE SURE TO HAVE YOUR SERIAL NUMBER  
 NEARBY WHEN ORDERING PARTS FOR YOUR  
 MOTION COMPOSITES WHEELCHAIR

**9001305\_9001306**  
**Armrest - Flip Back & T Type Left, 10-14 in**

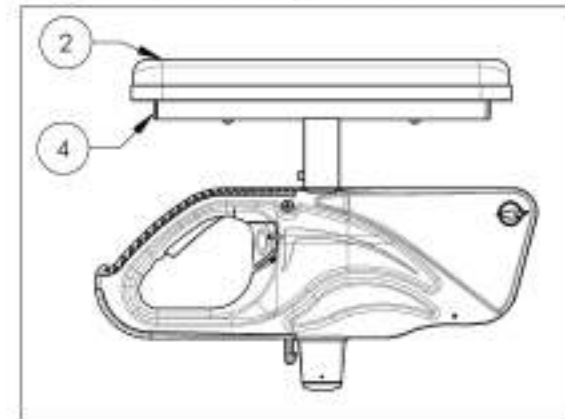


ITEM NO.	PART NO.	DESCRIPTION	9001305 /QTY.	9001306 /QTY.
1	33038	ARMREST DESK PAD	1	-
2	33039	ARMREST FULL LENGTH PAD	-	1
3	33580	V2 ARMREST STRUCTURE 10-14" FOR DESK LENGTH - ASSEMBLY	1	-
4	33580	V2 ARMREST STRUCTURE 10-14" FOR FULL LENGTH - ASSEMBLY	-	1
5	33554	V2 ARMREST - MAIN BODY	1	1
6	99013	SCREW PHILLIPS PAN HD #10_32 X 1_1_2 + BLUE THREADLOCKER	2	2

**9001305**  
**Armrest - Flip Back & T Type Left, 10-14 in, Desk Length**



**9001306**  
**Armrest - Flip Back & T Type Left, 10-14 in, Full Length**

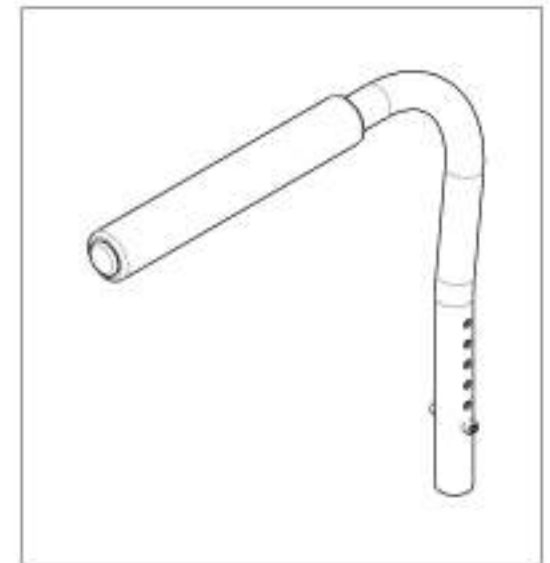
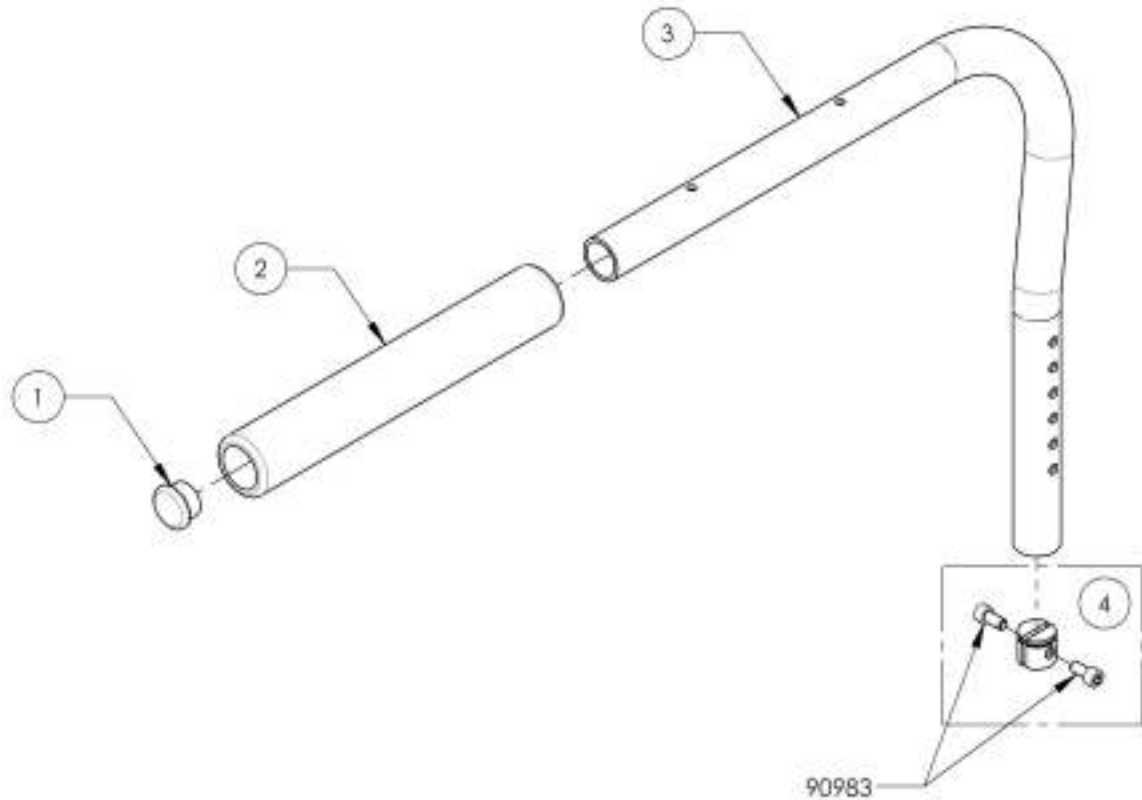


MAKE SURE TO HAVE YOUR SERIAL NUMBER NEARBY WHEN ORDERING PARTS FOR YOUR MOTION COMPOSITES WHEELCHAIR



**9001308  
Armrest - Swing Away, Right, Tubular**

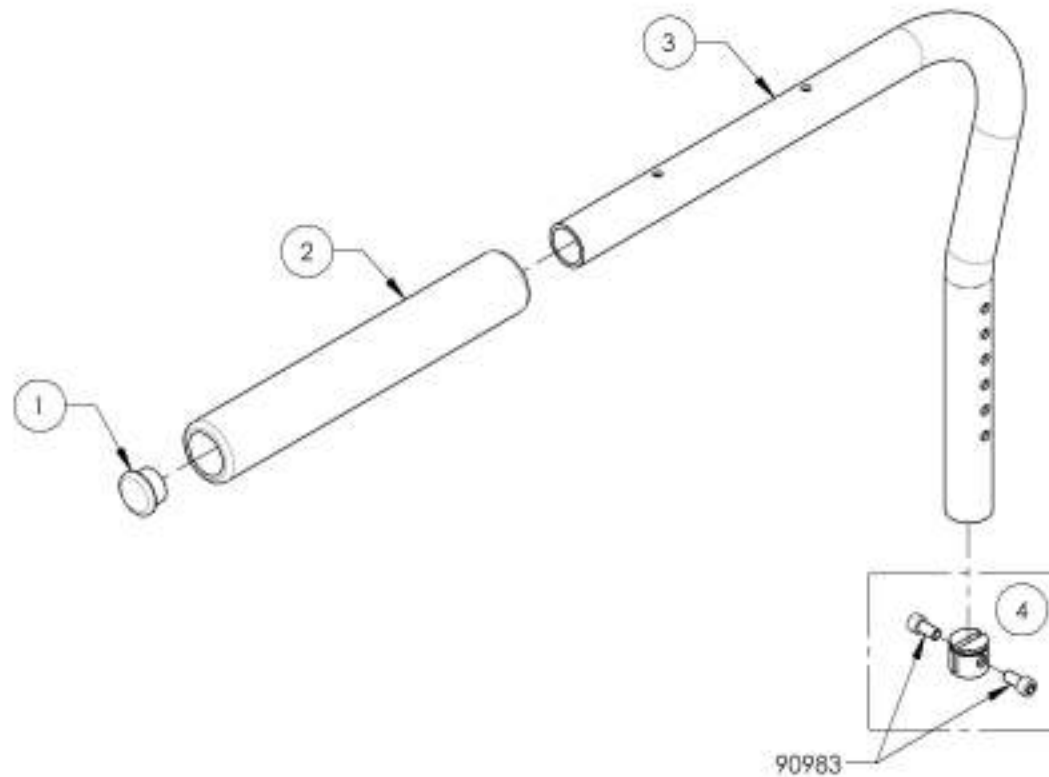
ITEM NO.	PARTNO	DESCRIPTION	9001308 /QTY.
1	99702	CAP 1 IN ALU	1
2	33049	SWING AWAY TUBULAR FOAM GRP	1
3	33035	L TYPE ARMREST RIGHT (M)	1
4	33552	SWING AWAY SPLIT NUT - ASSEMBLY (M)	1



MAKE SURE TO HAVE YOUR SERIAL NUMBER  
NEARBY WHEN ORDERING PARTS FOR YOUR  
MOTION COMPOSITES WHEELCHAIR

**9001309  
Armrest - Swing Away, Left, Tubular**

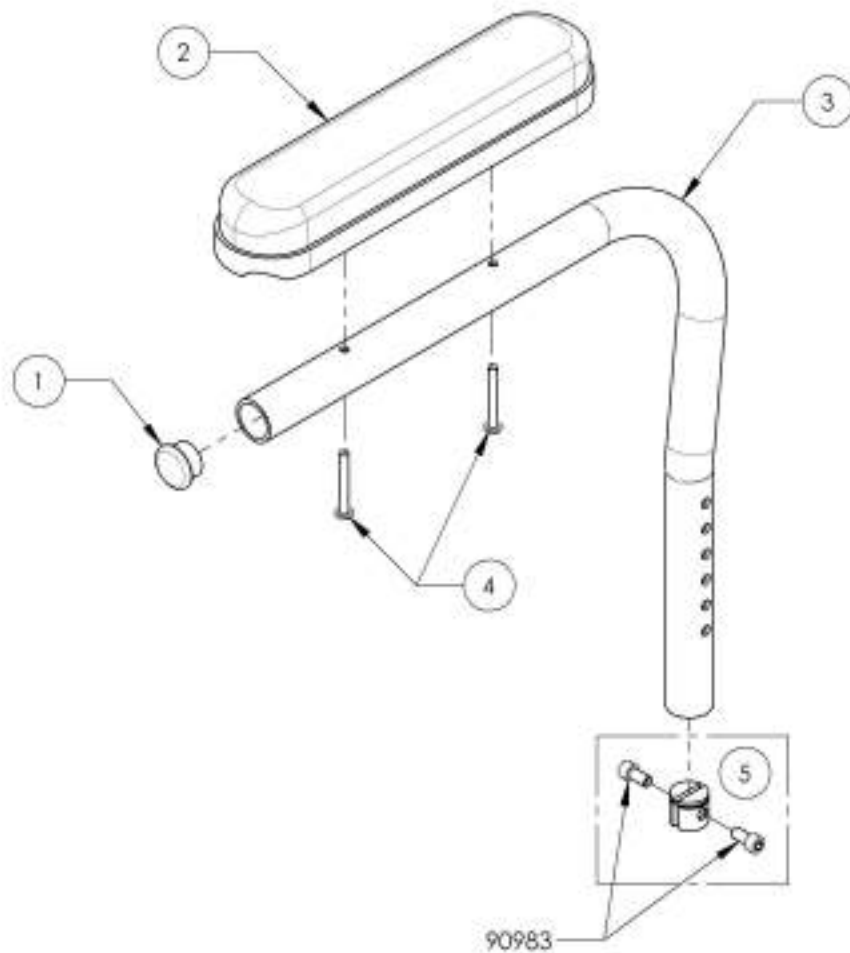
ITEM NO.	PARTNO	DESCRIPTION	9001309 /QTY.
1	99702	CAP 1 IN ALU	1
2	33049	SWING AWAY TUBULAR FOAM GRIP	1
3	33036	L TYPE ARMREST LEFT (M)	1
4	33652	SWING AWAY SLIT NUT - ASSEMBLY (M)	1



MAKE SURE TO HAVE YOUR SERIAL NUMBER  
NEARBY WHEN ORDERING PARTS FOR YOUR  
MOTION COMPOSITES WHEELCHAIR

**9001310**  
**Armrest - Swing Away, Right, Desk Length**

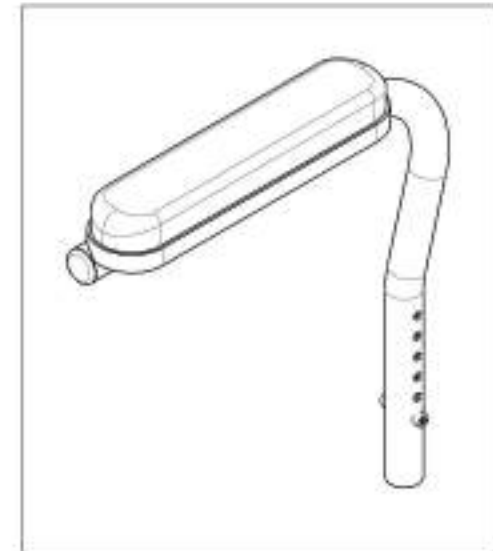
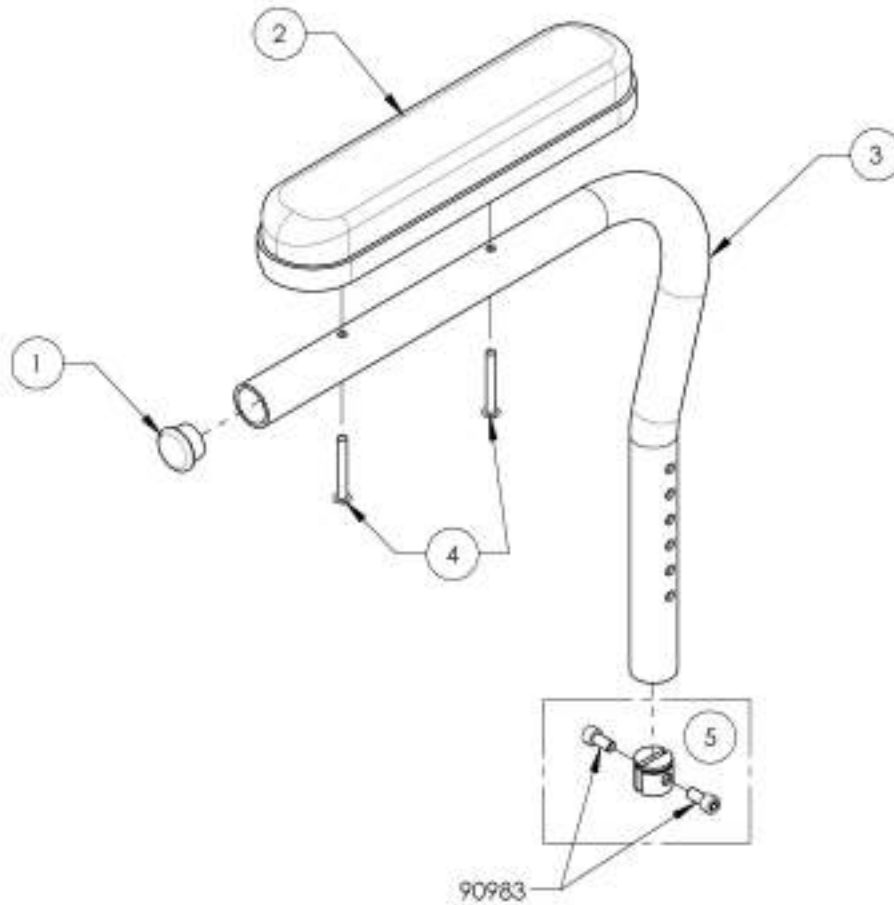
ITEM NO.	PARTNO	DESCRIPTION	9001310 /QTY.
1	99702	CAP 1 IN ALL	1
2	33008	ARMREST DESK PAD	1
3	33035	LTYPE ARMREST RIGHT (M)	1
4	99013	SCREW PHILLIPS PAN HD #10_32 X 1_1_2 + BLUE THREADLOCKER	2
5	33552	SWING AWAY SPLIT NUT - ASSEMBLY (M)	1



MAKE SURE TO HAVE YOUR SERIAL NUMBER  
 NEARBY WHEN ORDERING PARTS FOR YOUR  
 MOTION COMPOSITES WHEELCHAIR

**9001311**  
**Armrest - Swing Away, Left, Desk Length**

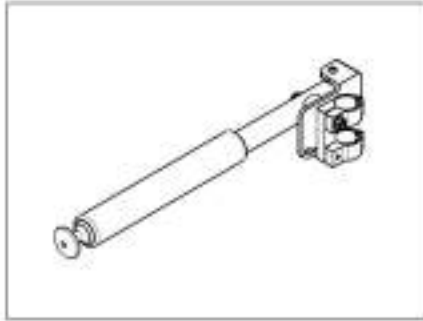
ITEM NO.	PARTNO	DESCRIPTION	9001311 /QTY.
1	99702	CAP 1 IN ALU	1
2	33038	ARMREST DESK PAD	1
3	33036	L TYPE ARMREST LEFT (M)	1
4	99013	SCREW PHILLIPS PAN HD #10_32 X 1_1_2 + BLUE THREADLOCKER	2
5	33552	SWING AWAY SPLIT NUT - ASSEMBLY (M)	1



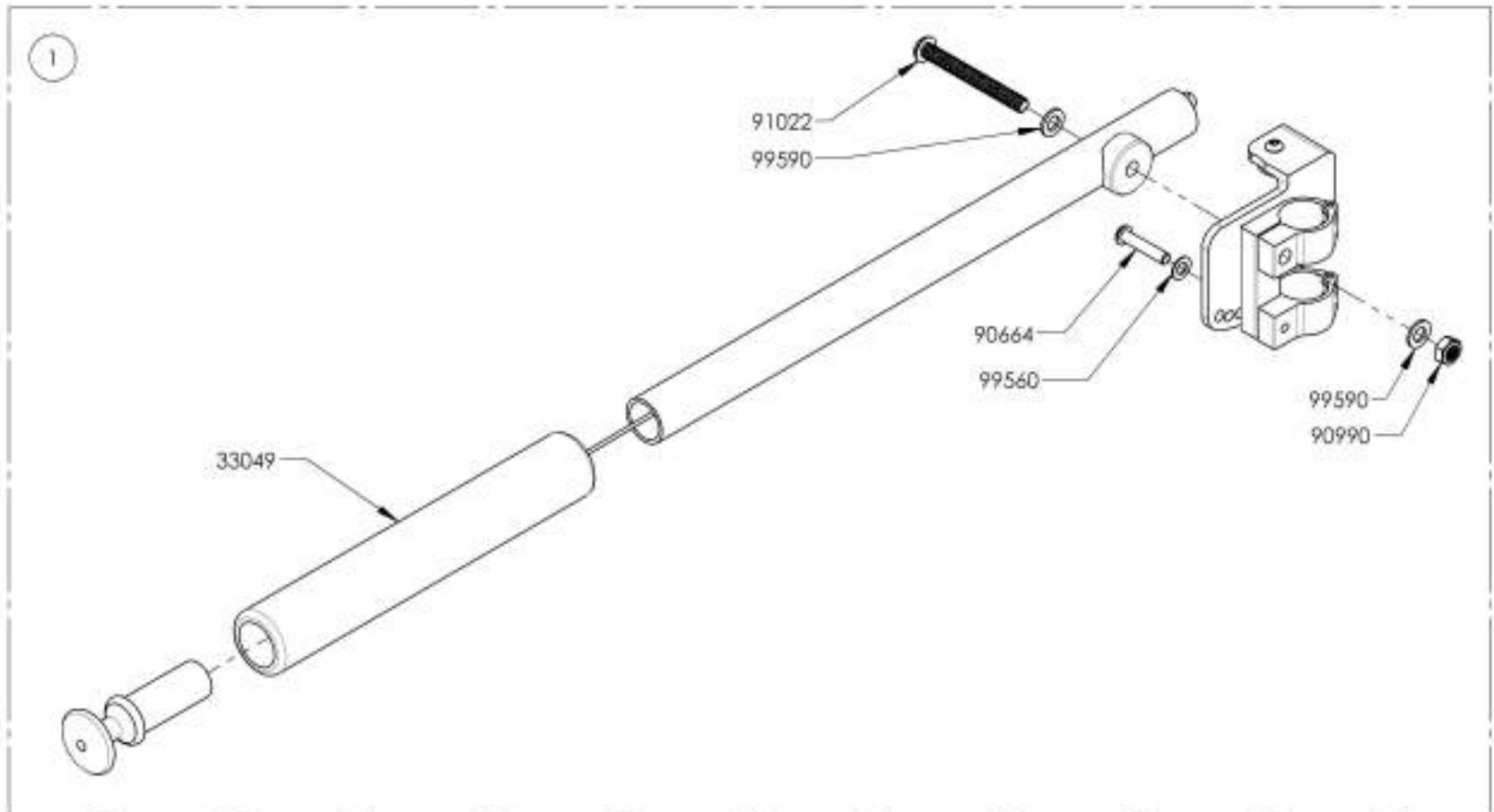
MAKE SURE TO HAVE YOUR SERIAL NUMBER  
 NEARBY WHEN ORDERING PARTS FOR YOUR  
 MOTION COMPOSITES WHEELCHAIR

**9001316**  
**Locking Armrest - Flip Up, Right**

FEM NO.	PARTNO	DESCRIPTION	9001316 /QTY.
1	33003	FLIP UP I ARMREST - RIGHT ASSEMBLY (M)	1



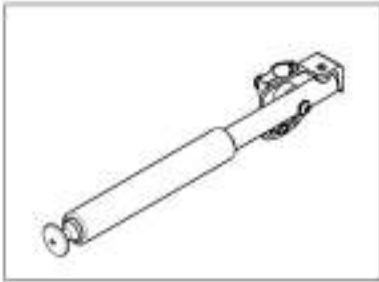
Depth Adjustable Back Canes  
Limited to **175lbs MAX**



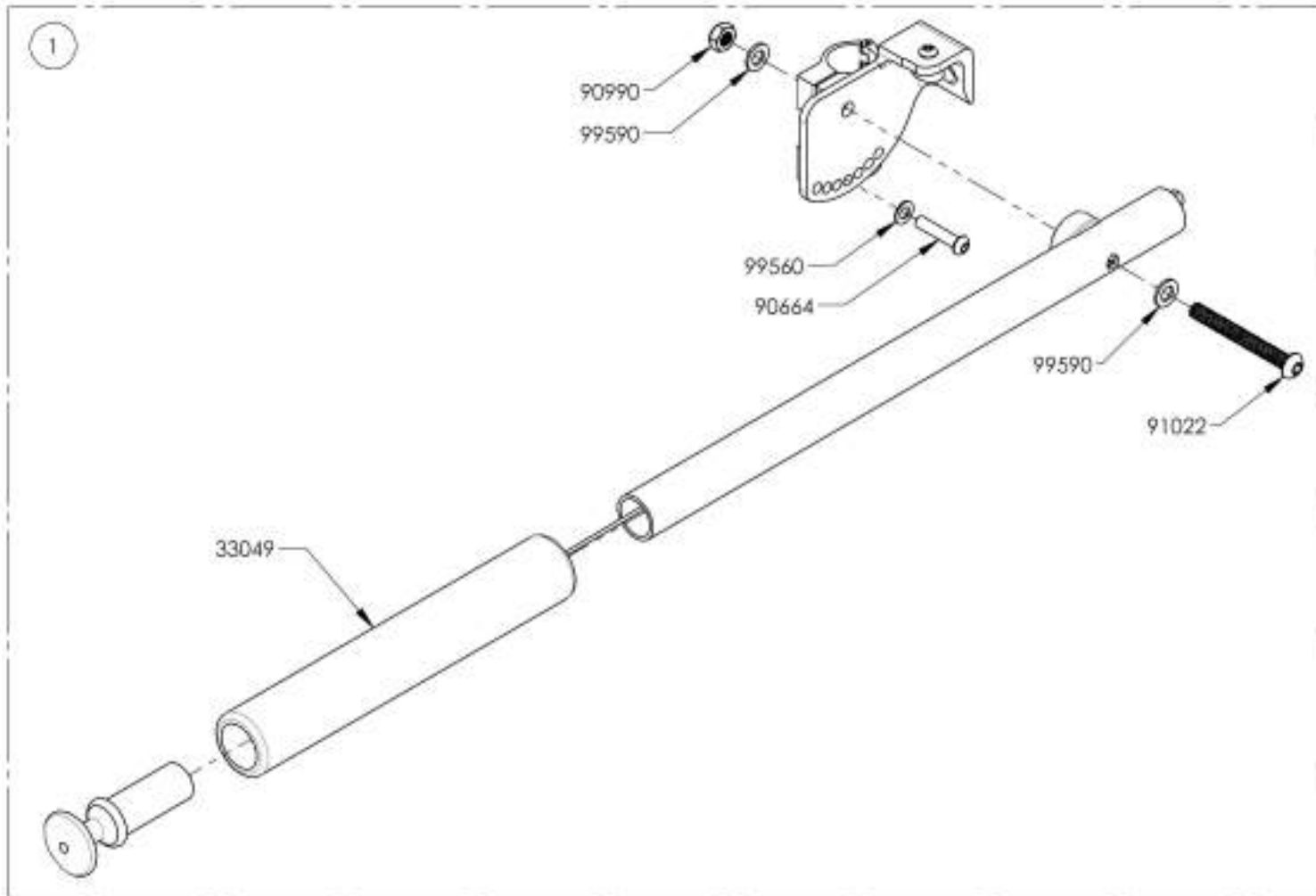
MAKE SURE TO HAVE YOUR SERIAL NUMBER  
NEARBY WHEN ORDERING PARTS FOR YOUR  
MOTION COMPOSITES WHEELCHAIR

**9001317**  
**Locking Armrest - Flip Up, Left**

ITEM NO.	PARTNO	DESCRIPTION	9001317 QTY.
1	33504	FLIP UP I ARMREST - LEFT ASSEMBLY (M)	1



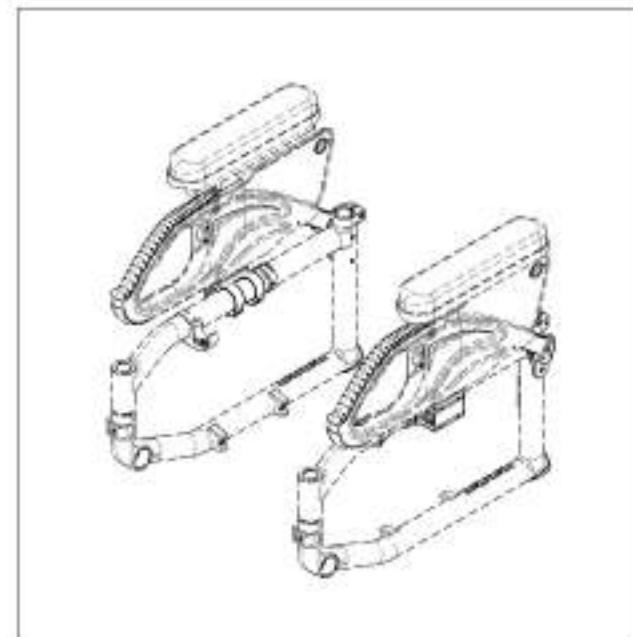
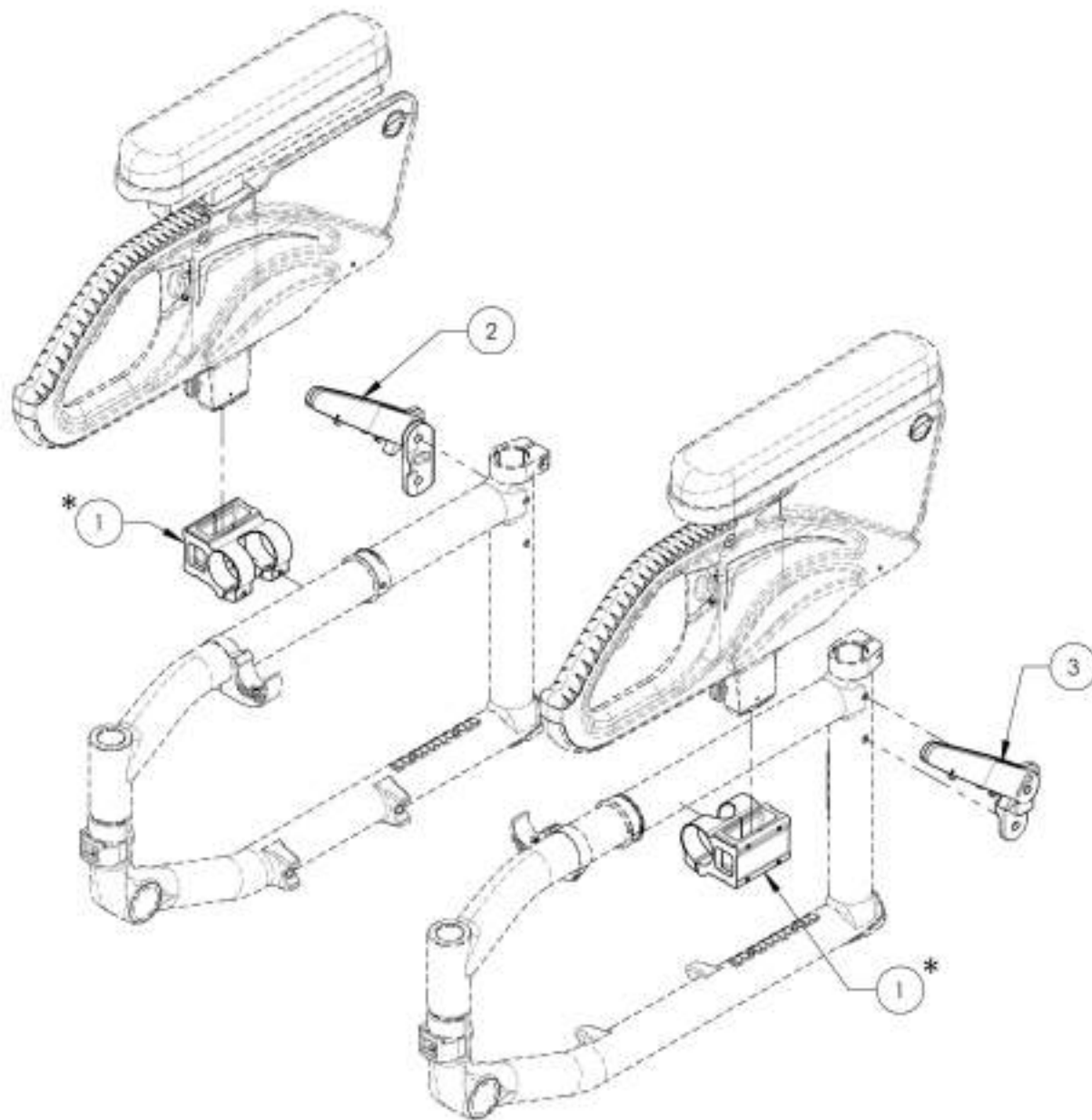
Depth Adjustable Back Canes  
Limited to **175lbs MAX**



MAKE SURE TO HAVE YOUR SERIAL NUMBER  
NEARBY WHEN ORDERING PARTS FOR YOUR  
MOTION COMPOSITES WHEELCHAIR

**Armrest Catalogue**  
**Armrests - Flip Back Receiver**

ITEM NO.	PARTNO	DESCRIPTION	QTY.
1 *	9001312	Armrest - Receiver, Flip Back & T Type	2
2	9001313	Armrest - Rear Pivot, Flip Back, Right	1
3	9001314	Armrest - Rear Pivot, Flip Back, Left	1

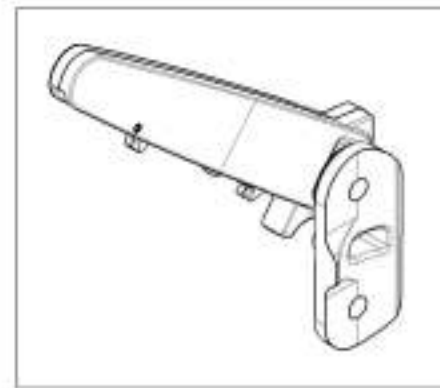
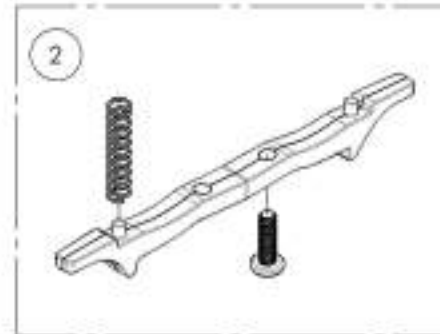
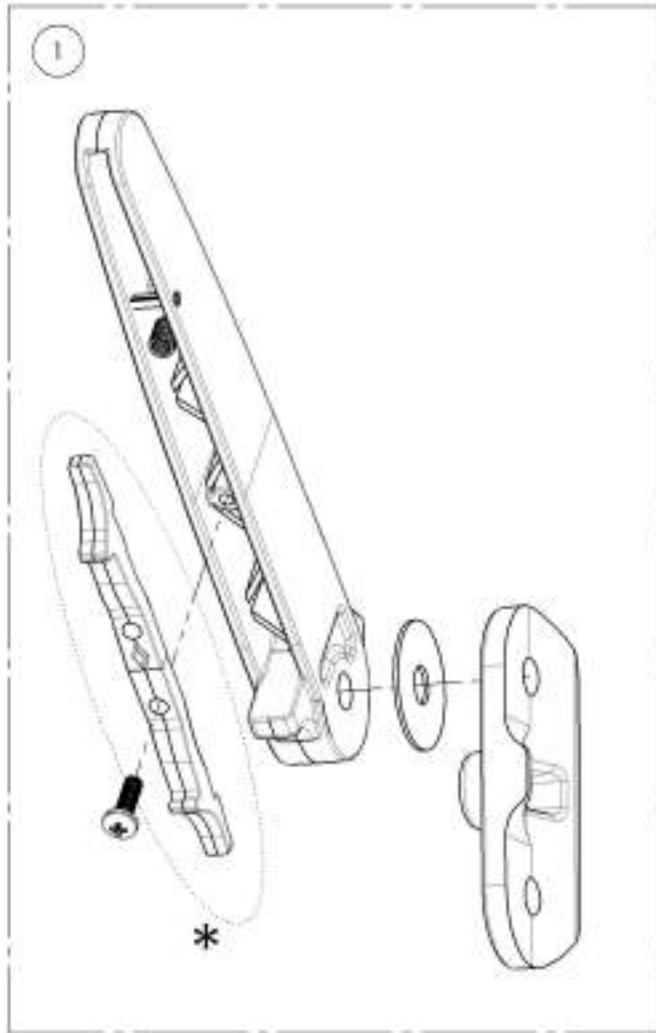


\*:NOT AVAILABLE FOR MOVE WHEELCHAIRS

MAKE SURE TO HAVE YOUR SERIAL NUMBER  
 NEARBY WHEN ORDERING PARTS FOR YOUR  
 MOTION COMPOSITES WHEELCHAIR

**9001313**  
**Armrest - Rear Pivot, Flip Back, Type 2, Right**

ITEM NO.	PART NO.	DESCRIPTION	9001313 /QTY.	REPLACEMENT PARTS/QTY.
1	33558	V2 ARMREST REAR PIVOT - ASSEMBLY	1	-
2	33561	V2 ARMREST DOUBLE HOOK TRIGGER - ASSEMBLY	-	1



**\* DOUBLE TRIGGER INSTALLATION OPTIONS**

STANDARD RELEASE	LOCK POSITION
DETAIL A	DETAIL B

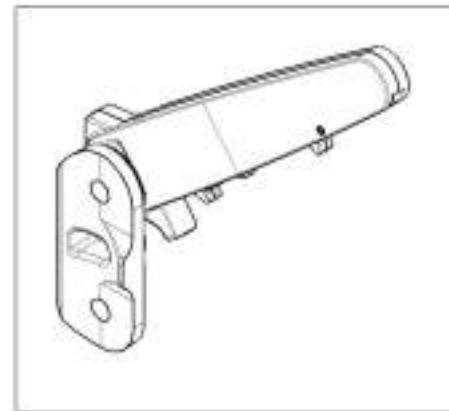
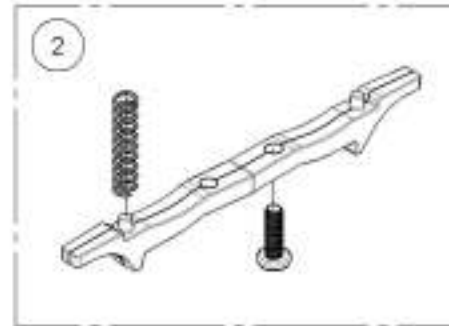
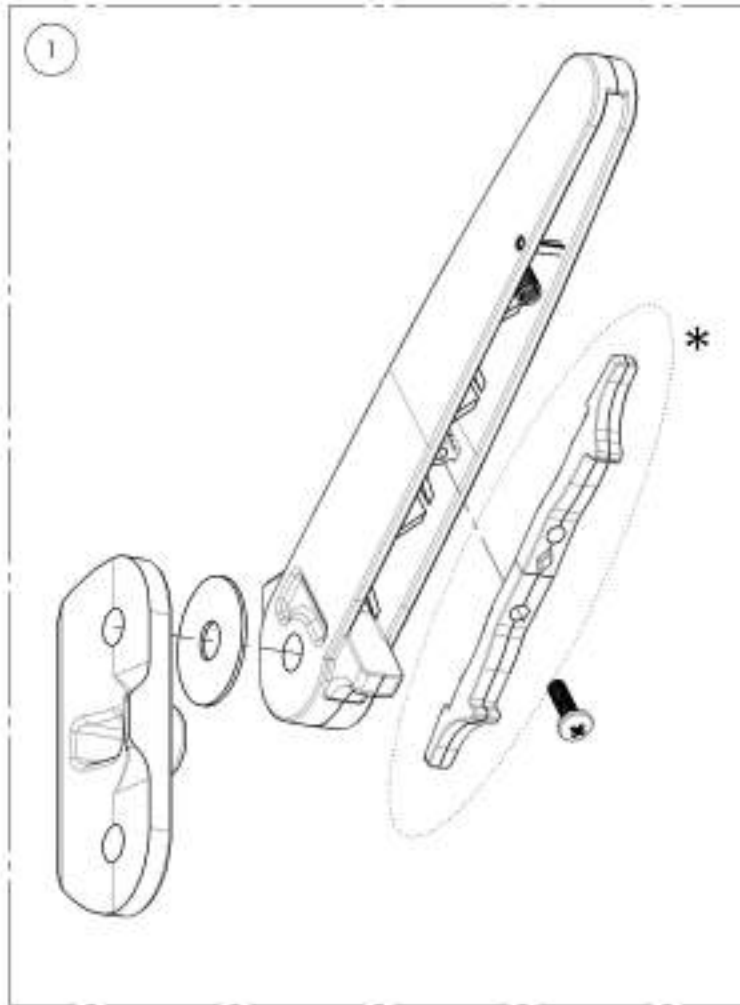
NOTICE THE DIRECTION OF THE DIAMOND SHAPE ON THE TRIGGER. HIS DISTANCE FROM THE SCREW INDICATES THE CONFIGURATION USED

MAKE SURE TO HAVE YOUR SERIAL NUMBER NEARBY WHEN ORDERING PARTS FOR YOUR MOTION COMPOSITES WHEELCHAIR



**9001314**  
**Armrest - Rear Pivot, Flip Back, Type 2, Left**

ITEM NO.	PARTNO	DESCRIPTION	9001314 /QTY.	REPLACEMENT PARTS/QTY.
1	3355B	V2 ARMREST REAR PIVOT - ASSEMBLY	1	-
2	33561	V2 ARMREST DOUBLE HOOK TRIGGER - ASSEMBLY	-	1



**\*DOUBLE TRIGGER INSTALLATION OPTIONS**

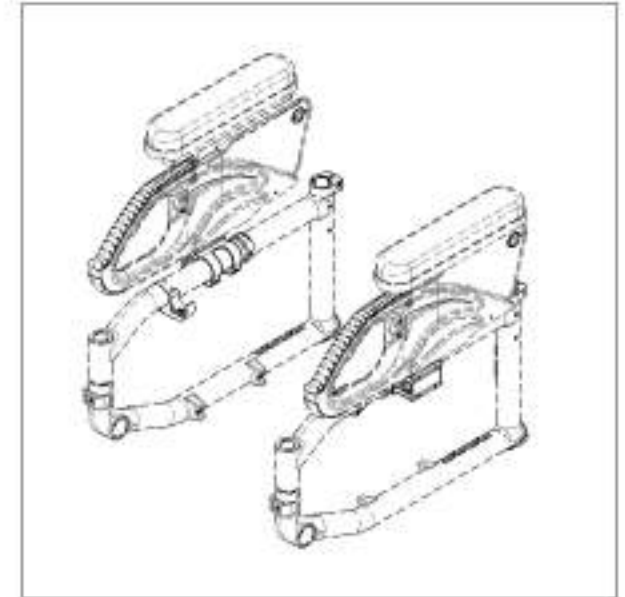
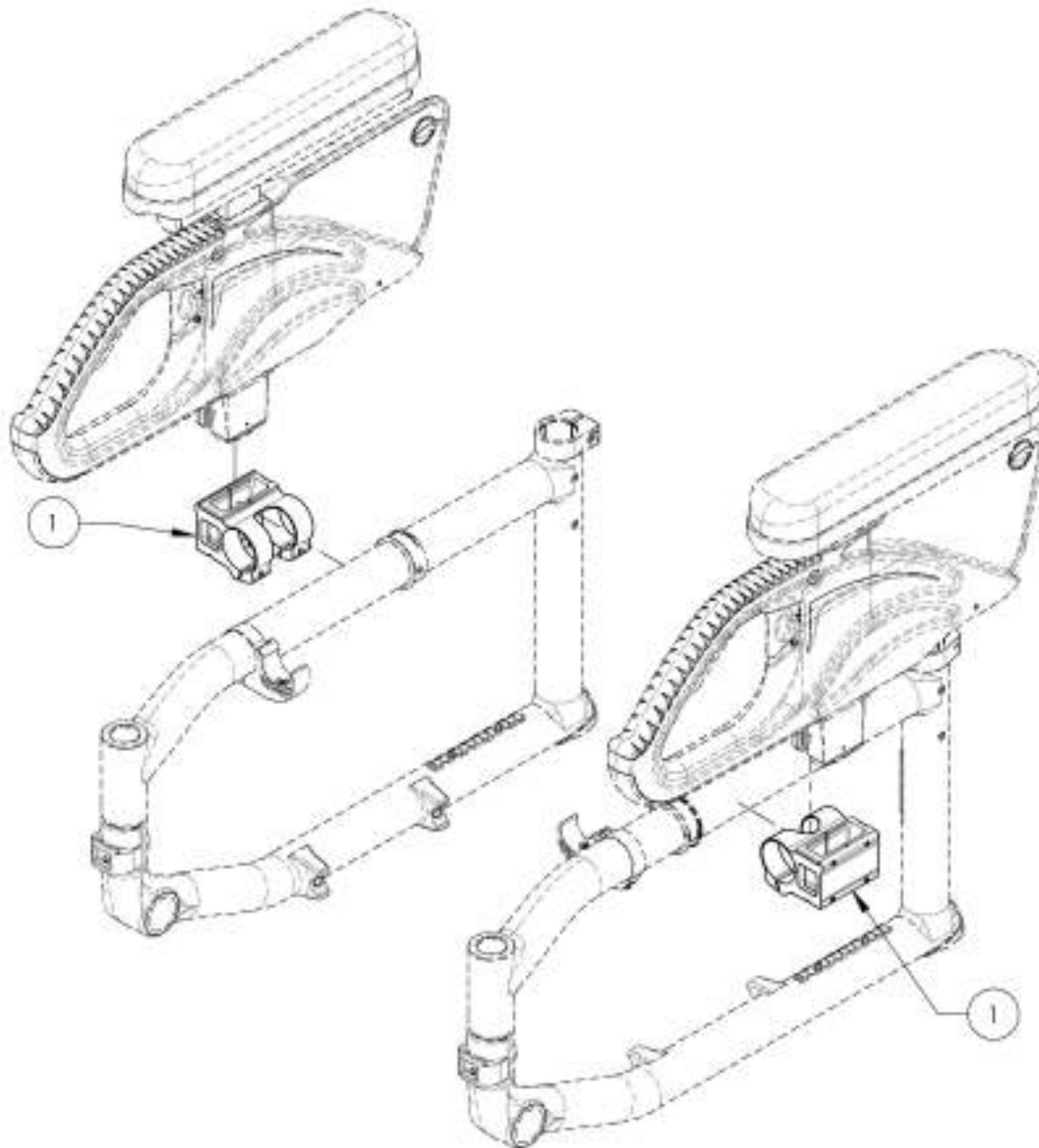
STANDARD RELEASE	LOCK POSITION
<b>DETAIL A</b>	<b>DETAIL B</b>

NOTICE THE DIRECTION OF THE DIAMOND SHAPE ON THE TRIGGER, HIS DISTANCE FROM THE SCREW INDICATES THE CONFIGURATION USED

MAKE SURE TO HAVE YOUR SERIAL NUMBER NEARBY WHEN ORDERING PARTS FOR YOUR MOTION COMPOSITES WHEELCHAIR

**Armrest Catalogue**  
**Armrests - T Type Receiver**

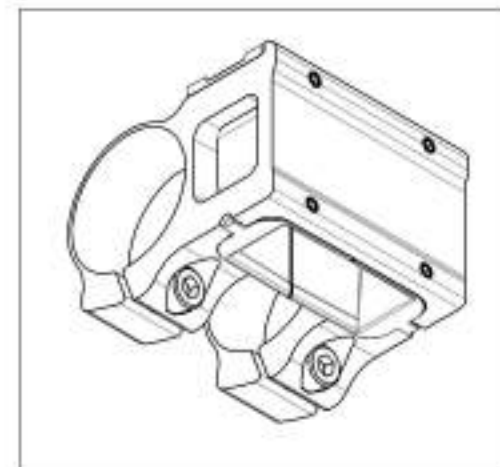
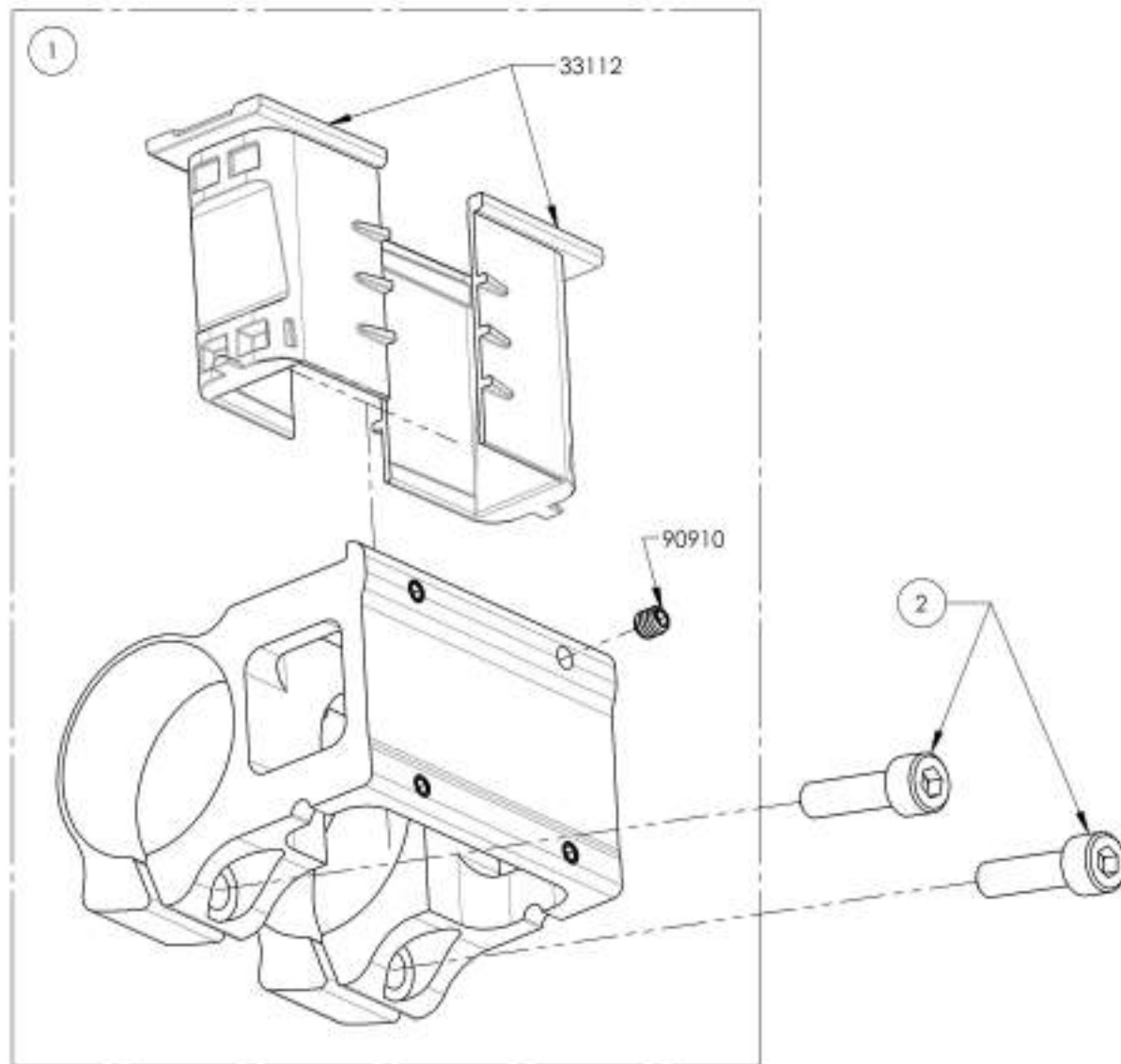
ITEM NO.	PARTNO	DESCRIPTION	QTY
1	R001312	Armrest - Receiver, Flip Back & T Type	2



MAKE SURE TO HAVE YOUR SERIAL NUMBER  
NEARBY WHEN ORDERING PARTS FOR YOUR  
MOTION COMPOSITES WHEELCHAIR

**9001312**  
**Armrest - Receiver, Flip Back & T Type**

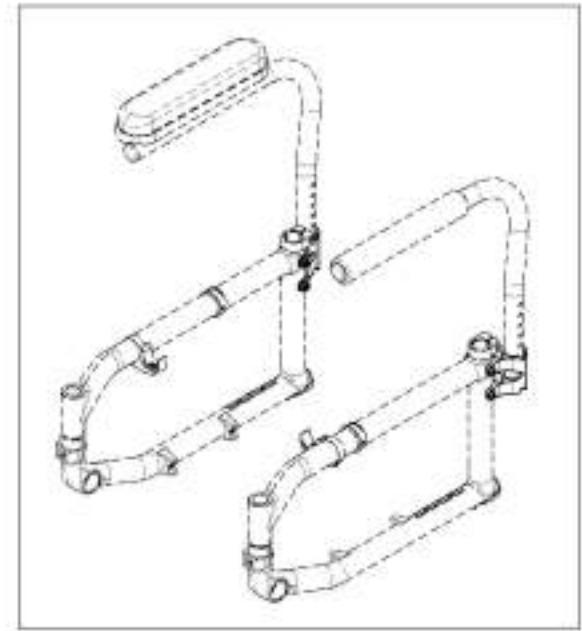
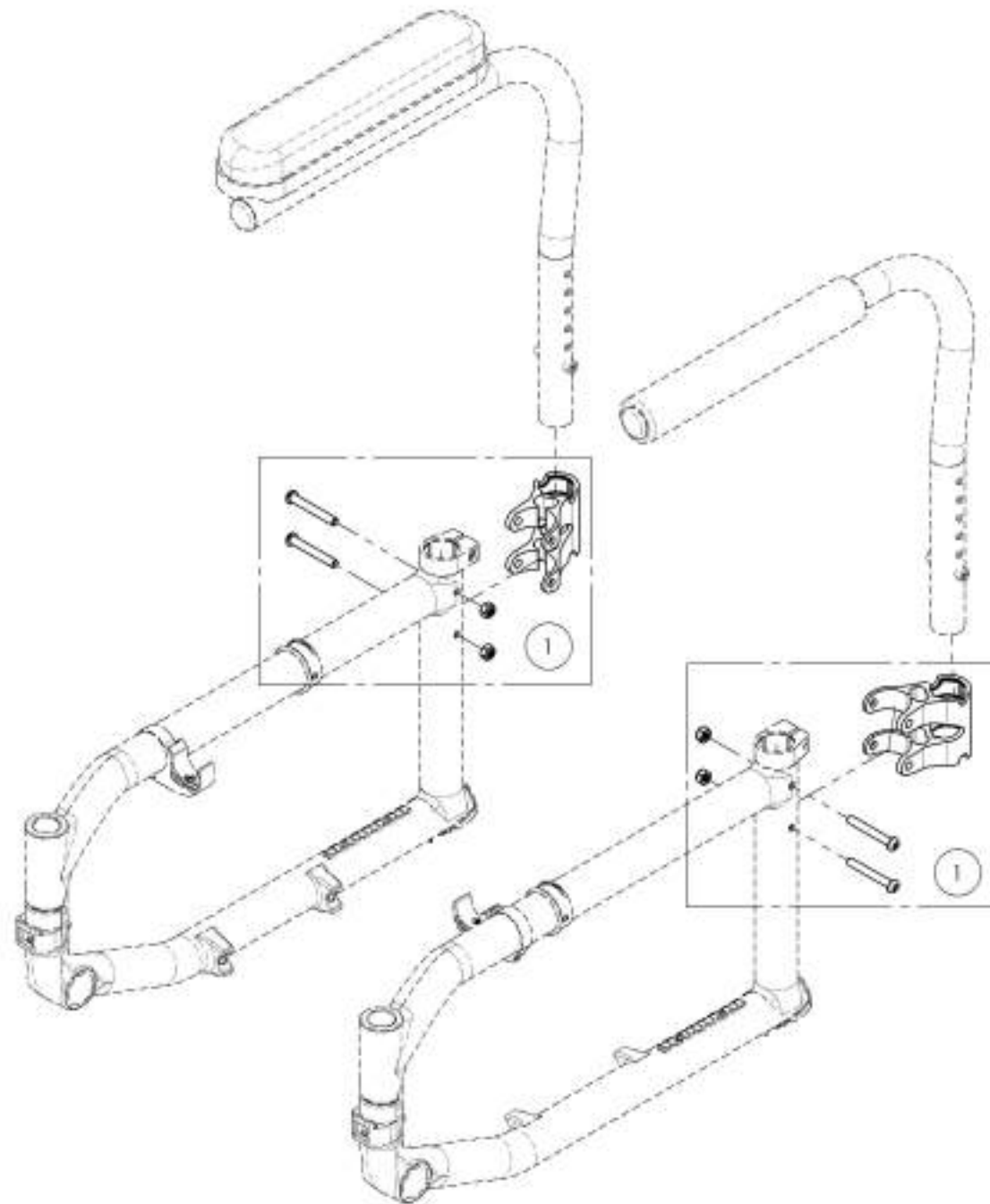
ITEM NO.	PARTNO	DESCRIPTION	9001312 /QTY.
1	33555	V2 ARMREST RECEIVER - ASSEMBLY	1
2	90748	SOCKET CAP SCREW M5X0.8 X 18mm LONG, FULLY THREADED + BLUE TREADLOCKER - BLACK ZINC	2



MAKE SURE TO HAVE YOUR SERIAL NUMBER  
NEARBY WHEN ORDERING PARTS FOR YOUR  
MOTION COMPOSITES WHEELCHAIR

**Armrest Catalogue**  
**Armrests - Swing Away Receiver**

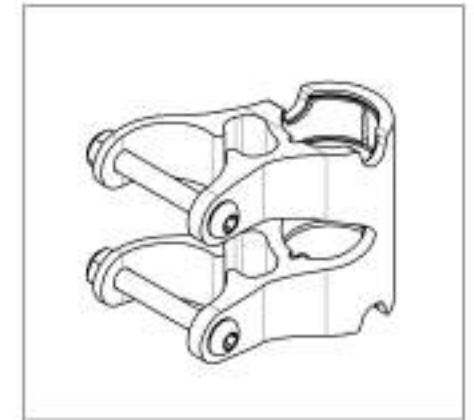
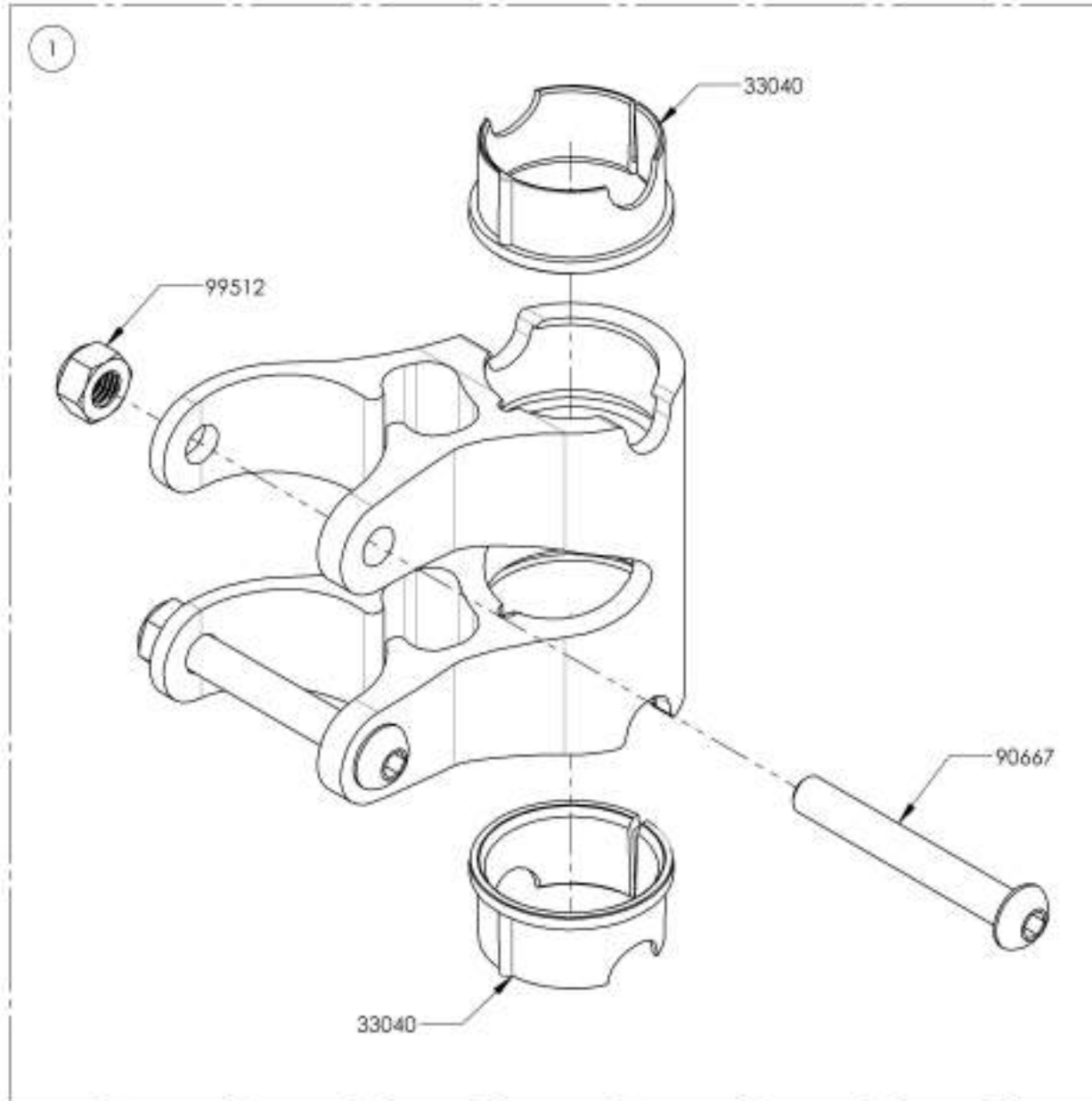
ITEM NO.	PARTNO	DESCRIPTION	QTY
1	R001315	Armrest - Receiver, Swing Away	2



MAKE SURE TO HAVE YOUR SERIAL NUMBER  
 NEARBY WHEN ORDERING PARTS FOR YOUR  
 MOTION COMPOSITES WHEELCHAIR

**9001315**  
**Armrest - Receiver, Swing Away**

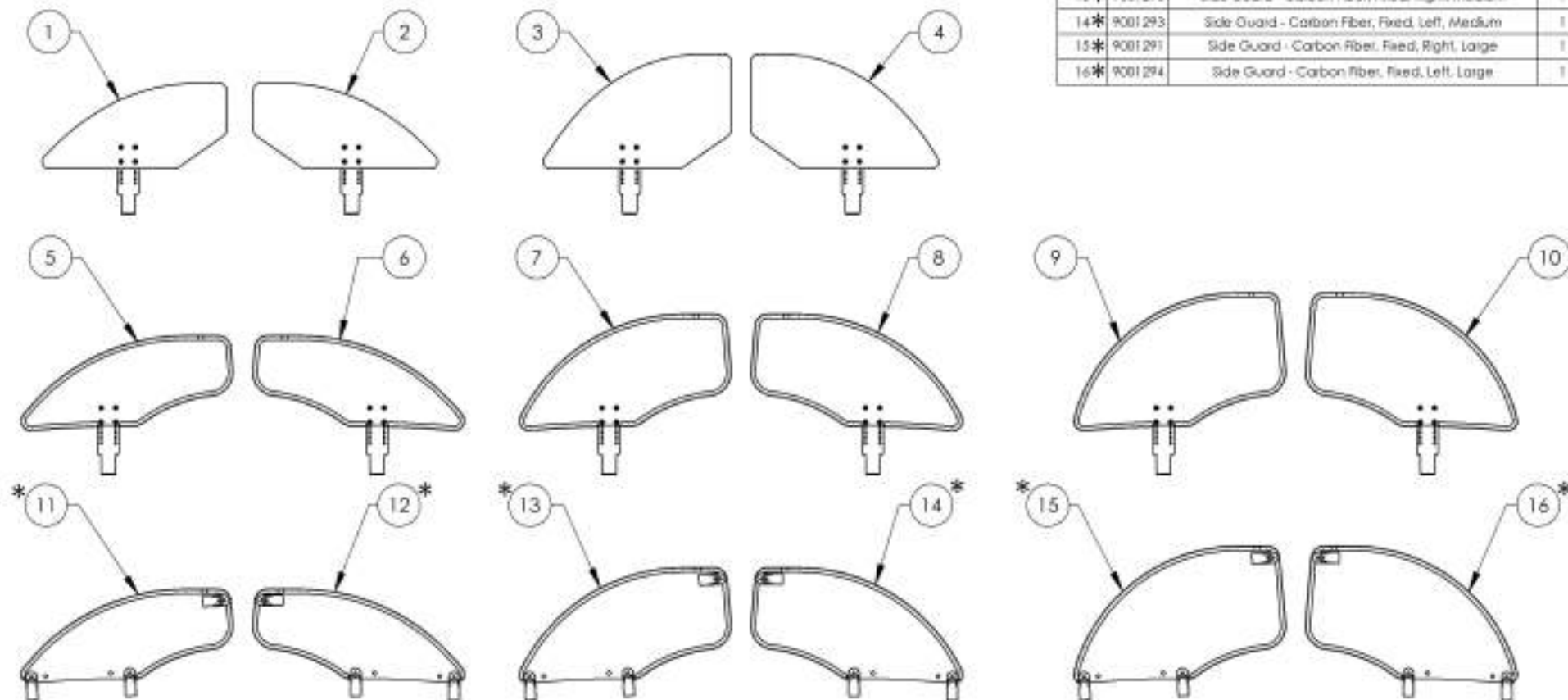
ITEM NO.	PARTNO	DESCRIPTION	9001315 /QTY.
1	33538	L ARMREST HOUSING	1



MAKE SURE TO HAVE YOUR SERIAL NUMBER  
NEARBY WHEN ORDERING PARTS FOR YOUR  
MOTION COMPOSITES WHEELCHAIR

**Sideguard Catalogue**  
**Sideguards**

ITEM NO.	PARTNO	DESCRIPTION	QTY
1	9001295	Side Guard - Plastic, Removable, Right, Small	1
2	9001297	Side Guard - Plastic, Removable, Left, Small	1
3	9001296	Side Guard - Plastic, Removable, Right, Medium	1
4	9001298	Side Guard - Plastic, Removable, Left, Medium	1
5	9002489	Removable Side Guard - Carbon Fiber, Right, Small	1
6	9002492	Removable Side Guard - Carbon Fiber, Left, Small	1
7	9002490	Removable Side Guard - Carbon Fiber, Right, Medium	1
8	9002493	Removable Side Guard - Carbon Fiber, Left, Medium	1
9	9002491	Removable Side Guard - Carbon Fiber, Right, Large	1
10	9002494	Removable Side Guard - Carbon Fiber, Left, Large	1
11*	9001289	Side Guard - Carbon Fiber, Fixed, Right, Small	1
12*	9001292	Side Guard - Carbon Fiber, Fixed, Left, Small	1
13*	9001290	Side Guard - Carbon Fiber, Fixed, Right, Medium	1
14*	9001293	Side Guard - Carbon Fiber, Fixed, Left, Medium	1
15*	9001291	Side Guard - Carbon Fiber, Fixed, Right, Large	1
16*	9001294	Side Guard - Carbon Fiber, Fixed, Left, Large	1

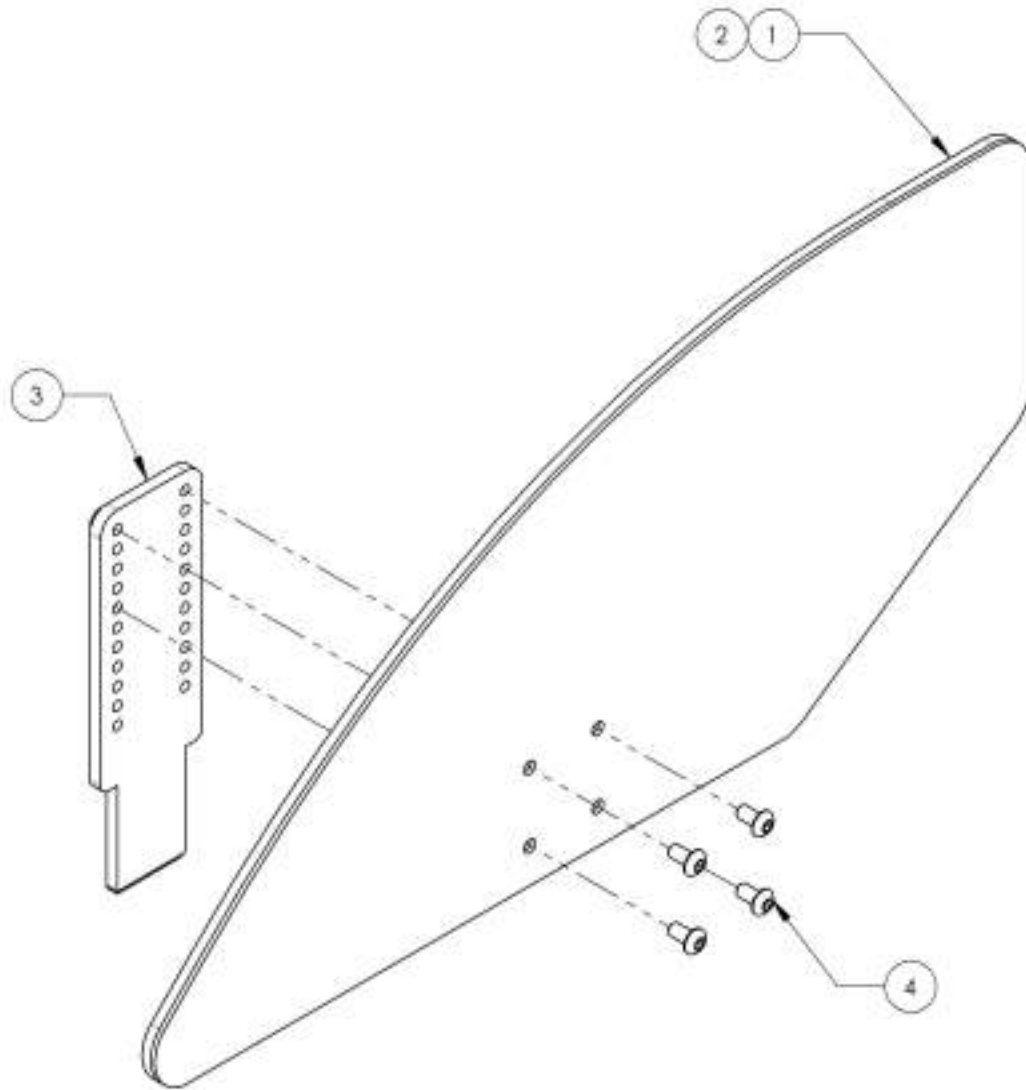


\*:NOT AVAILABLE FOR KIDS & APEX WHEELCHAIRS

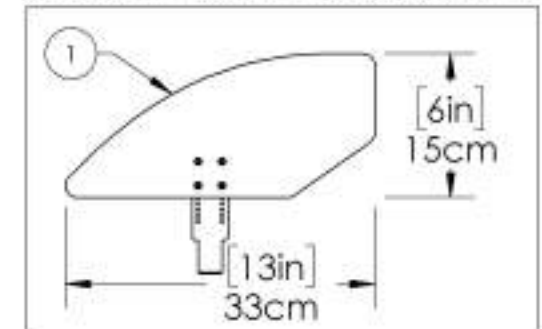
MAKE SURE TO HAVE YOUR SERIAL NUMBER  
NEARBY WHEN ORDERING PARTS FOR YOUR  
MOTION COMPOSITES WHEELCHAIR

**9001295\_9001296**  
**Side Guard - Plastic, Removable, Right**

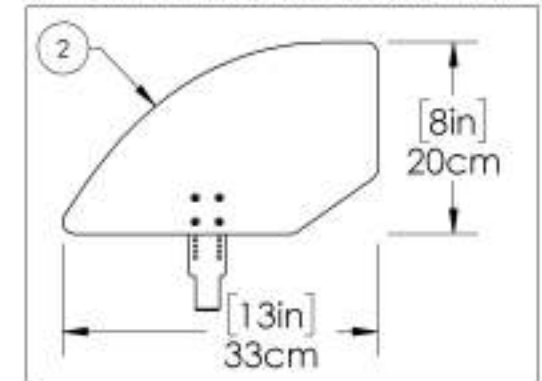
ITEM NO.	PART NO	DESCRIPTION	9001295 /QTY.	9001296 /QTY.
1	51002	RIGID PLASTIC SIDE GUARD SMALL - ASSEMBLY	1	-
2	51003	RIGID PLASTIC SIDE GUARD MEDIUM - ASSEMBLY	-	1
3	51118	MIDGUARD & SIDEGUARD ADJUSTING PLATE	1	1
4	90631	BUTTON HEAD CAP SCREW M4X0.7 X 8mm LONG, FULLY THREADED + BLUE THREADLOCKER - BLACK ZINC	4	4



9001295  
 Side Guard - Plastic, Removable, Right, Small



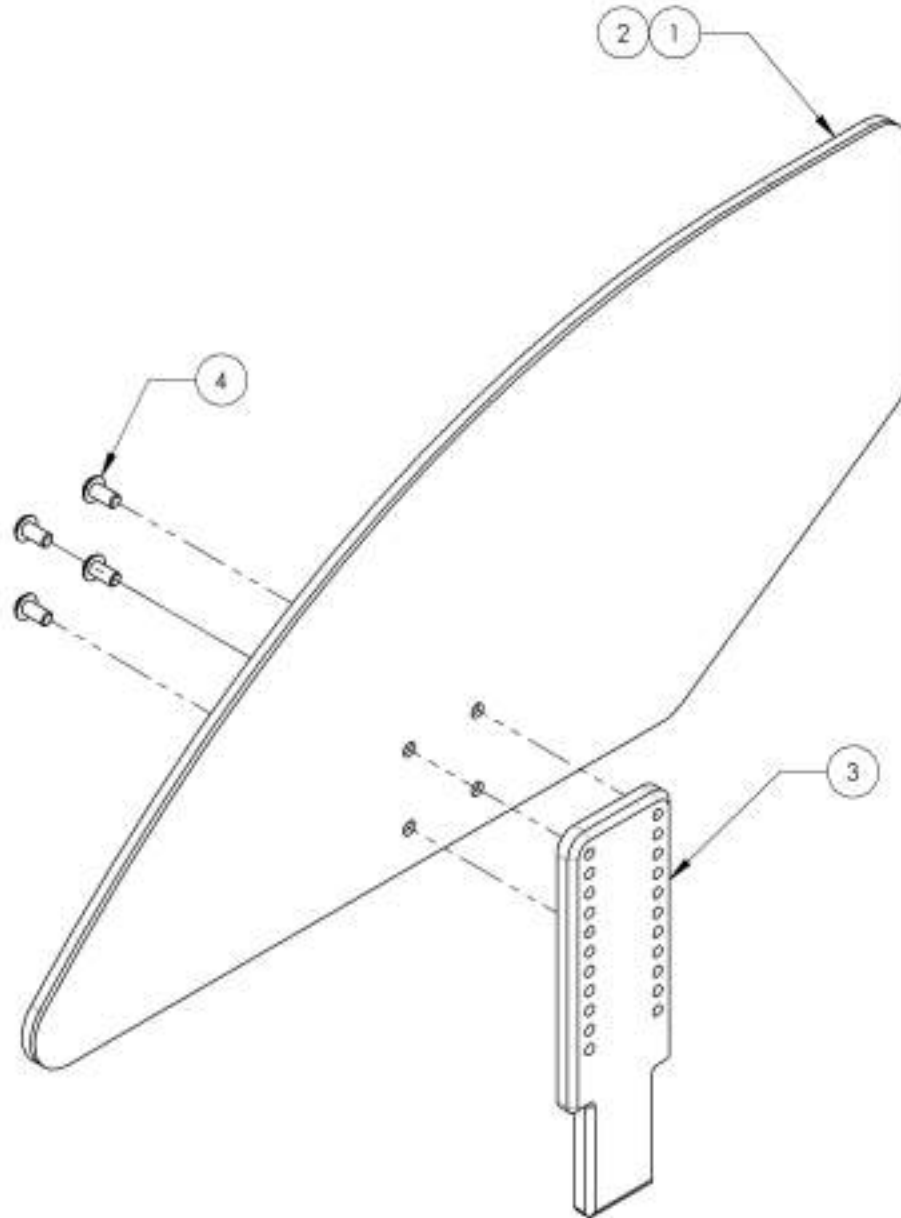
9001296  
 Side Guard - Plastic, Removable, Right, Medium



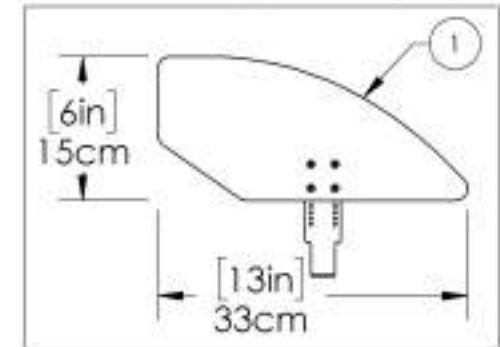
MAKE SURE TO HAVE YOUR SERIAL NUMBER  
 NEARBY WHEN ORDERING PARTS FOR YOUR  
 MOTION COMPOSITES WHEELCHAIR

**9001297\_9001298**  
**Side Guard - Plastic, Removable, Left**

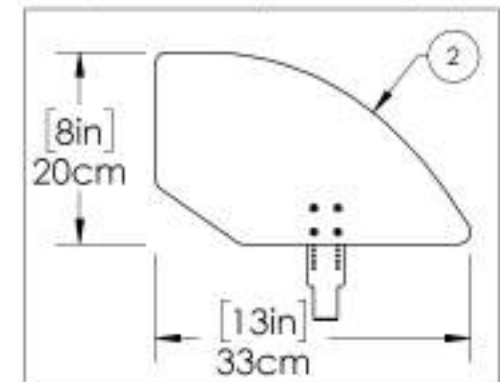
ITEM NO.	PART NO.	DESCRIPTION	9001297 /QTY.	9001298 /QTY.
1	51002	RIGID PLASTIC SIDE GUARD SMALL - ASSEMBLY	1	-
2	51003	RIGID PLASTIC SIDE GUARD MEDIUM - ASSEMBLY	-	1
3	51118	MIDGUARD & SIDEGUARD ADJUSTING PLATE	1	1
4	90631	BUTTON HEAD CAP SCREW M4X0.7 X 8mm LONG, FULLY THREADED + BLUE THREADLOCKER - BLACK ZINC	4	4



9001297  
 Side Guard - Plastic, Removable, Left, Small



9001298  
 Side Guard - Plastic, Removable, Left, Medium



MAKE SURE TO HAVE YOUR SERIAL NUMBER NEARBY WHEN ORDERING PARTS FOR YOUR MOTION COMPOSITES WHEELCHAIR



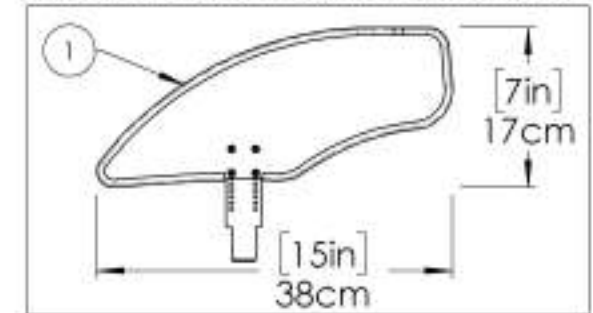
**9002489\_9002491**

**Side Guard - Carbon Fiber, Removable, Right**

ITEM NO.	PARTNO	DESCRIPTION	9002489 /QTY.	9002490 /QTY.	9002491 /QTY.
1	51213	SMALL ADJUSTABLE CARBON FIBER SIDE GUARD, H-163mm L-372mm - ASSEMBLY	1	-	-
2	51214	MEDIUM ADJUSTABLE CARBON FIBER SIDE GUARD, H-203mm L-372mm - ASSEMBLY	-	1	-
3	51215	LARGE ADJUSTABLE CARBON FIBER SIDE GUARD, H-241mm L-372mm - ASSEMBLY	-	-	1
4	51118	MIDGUARD & SIDE GUARD ADJUSTING PLATE	1	1	1
5	90631	BUTTON HEAD CAP SCREW AN4X0.7 X 8mm LONG, FULLY THREADED + BLUE THREADLOCKER - BLACK ZINC	4	4	4

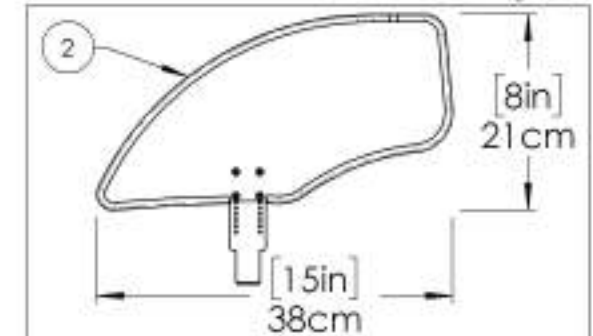
**9002489**

**Side Guard - Carbon Fiber, Removable, Right, Small**



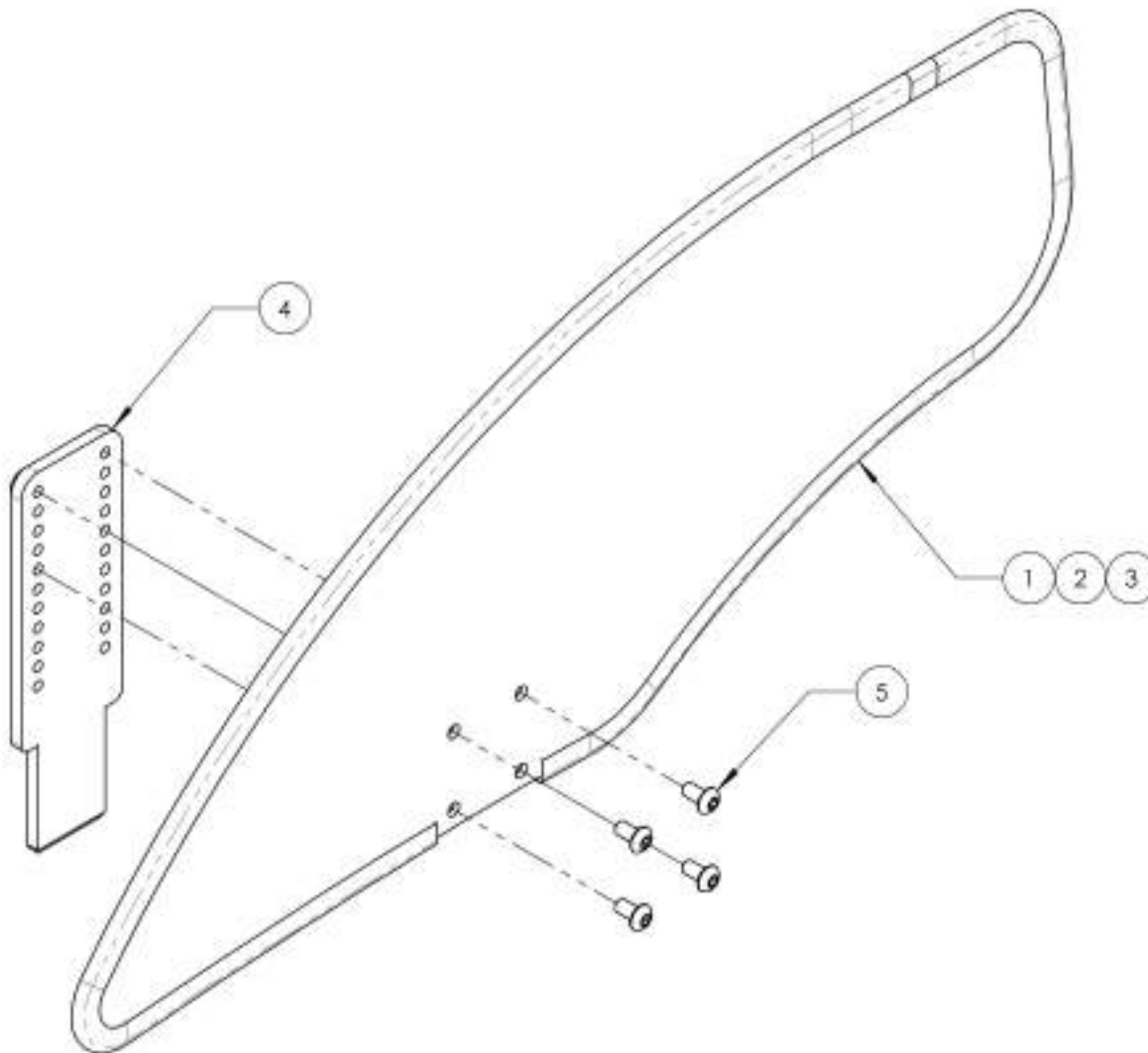
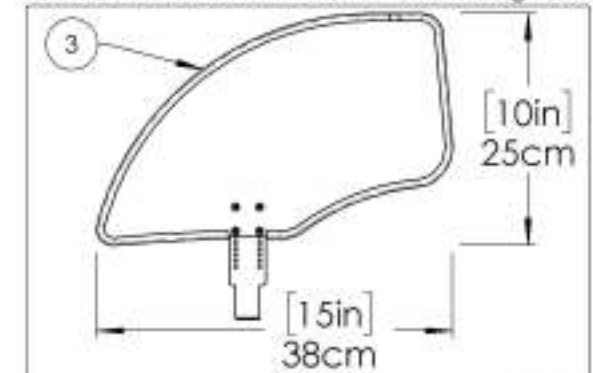
**9002490**

**Side Guard - Carbon Fiber, Removable, Right, Medium**



**9002491**

**Side Guard - Carbon Fiber, Removable, Right, Large**

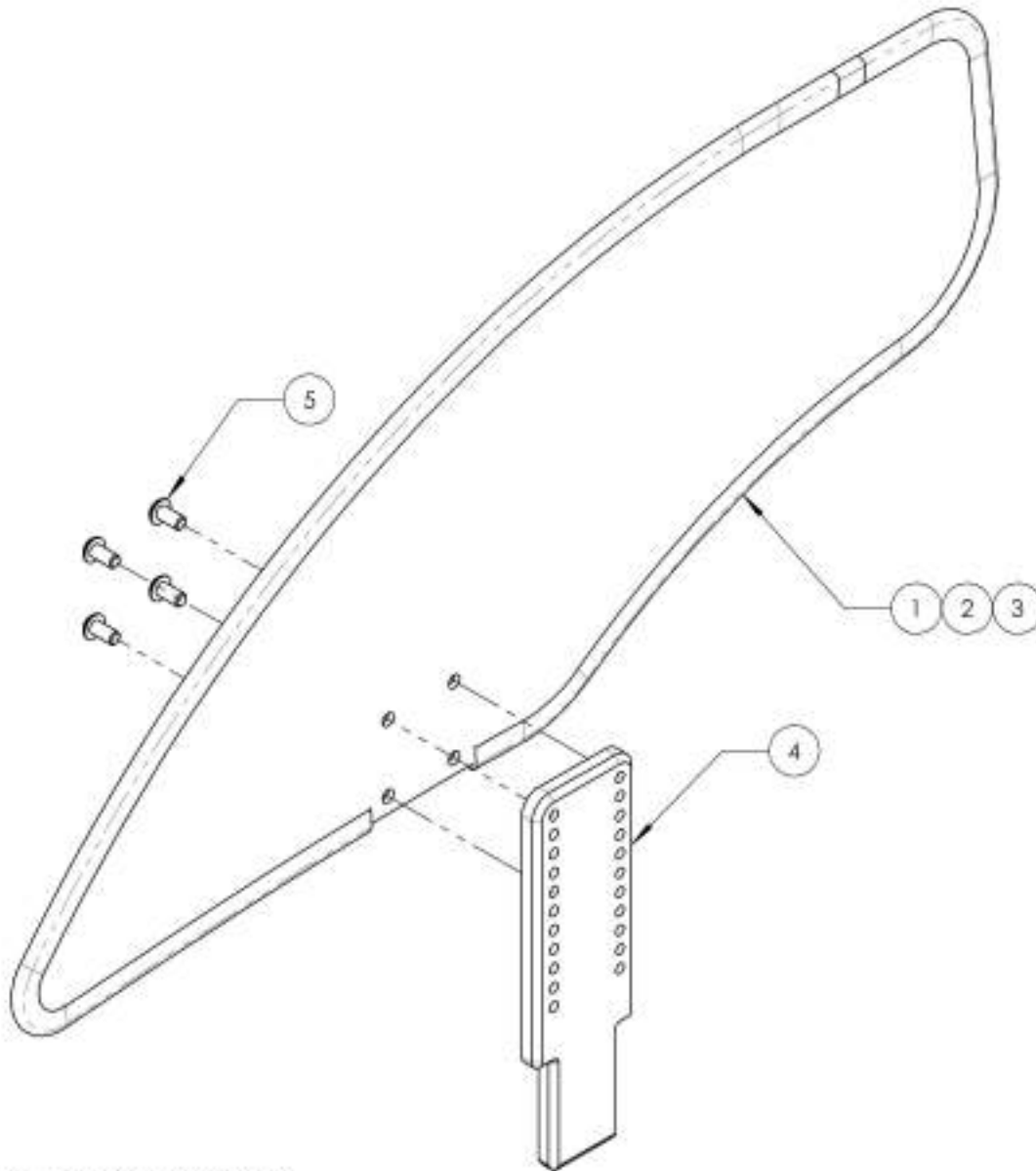


MAKE SURE TO HAVE YOUR SERIAL NUMBER NEARBY WHEN ORDERING PARTS FOR YOUR MOTION COMPOSITES WHEELCHAIR

**9002492\_9002494**

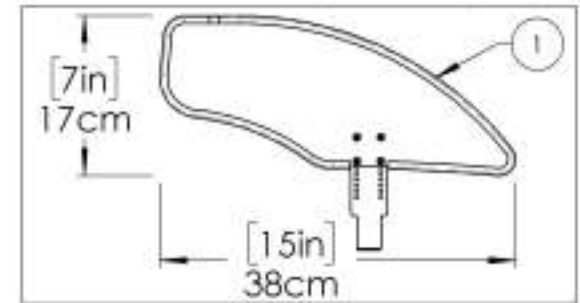
**Side Guard - Carbon Fiber, Removable, Left,**

ITEM NO.	PARTNO	DESCRIPTION	9002492 /QTY.	9002493 /QTY.	9002494 /QTY.
1	51213	SMALL ADJUSTABLE CARBON FIBER SIDE GUARD, H-163mm L-372mm - ASSEMBLY	1	-	-
2	51214	MEDIUM ADJUSTABLE CARBON FIBER SIDE GUARD, H-203mm L-372mm - ASSEMBLY	-	1	-
3	51215	LARGE ADJUSTABLE CARBON FIBER SIDE GUARD, H-241mm L-372mm - ASSEMBLY	-	-	1
4	51118	MIDGUARD & SIDE GUARD ADJUSTING PLATE	1	1	1
5	90631	BUTTON HEAD CAP SCREW AN4X0.7 X 8mm LONG, FULLY THREADED + BLUE THREADLOCKER - BLACK ZINC	4	4	4



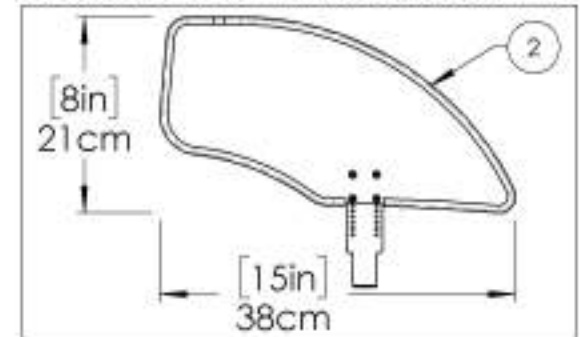
**9002492**

**Side Guard - Carbon Fiber, Removable, Left, Small**



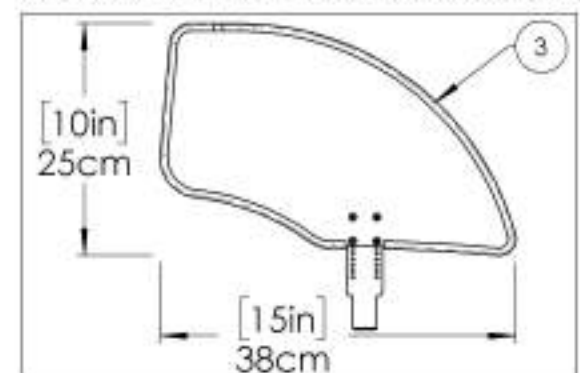
**9002493**

**Side Guard - Carbon Fiber, Removable, Left, Medium**



**9002494**

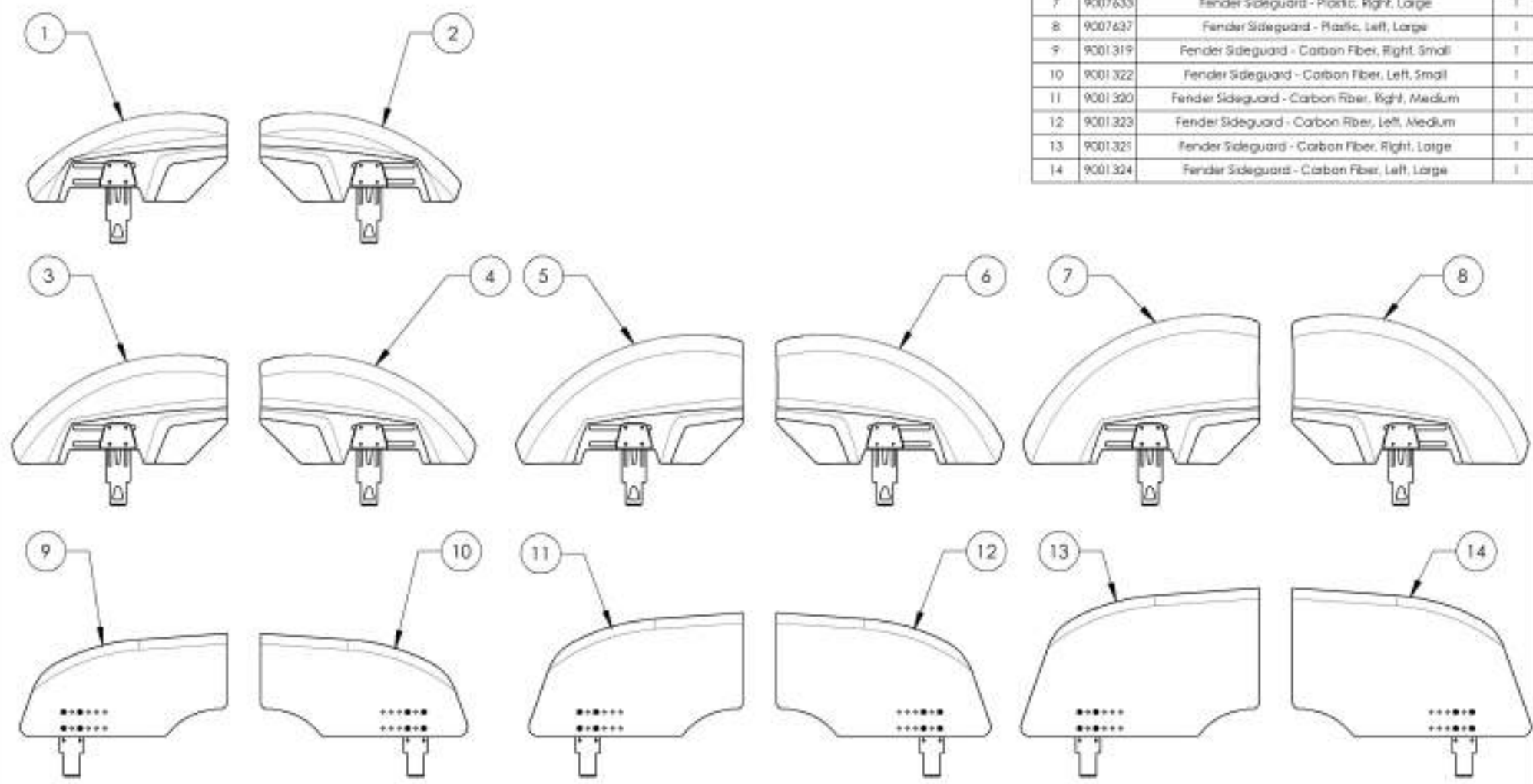
**Side Guard - Carbon Fiber, Removable, Left, Large**



MAKE SURE TO HAVE YOUR SERIAL NUMBER NEARBY WHEN ORDERING PARTS FOR YOUR MOTION COMPOSITES WHEELCHAIR.

**Sideguard Catalogue**  
**Fender Sideguards**

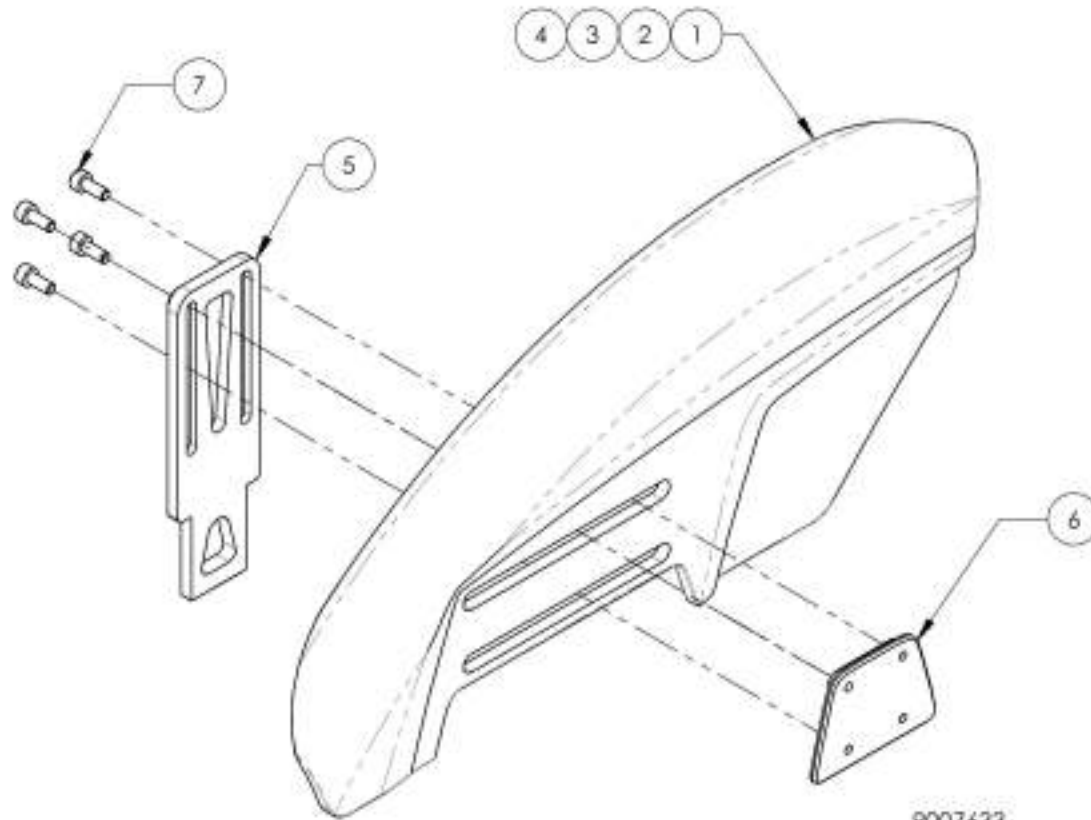
ITEM NO.	PARTNO	DESCRIPTION	QTY.
1	9007630	Fender Sideguard - Plastic, Right, X-Small	1
2	9007634	Fender Sideguard - Plastic, Left, X-Small	1
3	9007631	Fender Sideguard - Plastic, Right, Small	1
4	9007635	Fender Sideguard - Plastic, Left, Small	1
5	9007632	Fender Sideguard - Plastic, Right, Medium	1
6	9007636	Fender Sideguard - Plastic, Left, Medium	1
7	9007633	Fender Sideguard - Plastic, Right, Large	1
8	9007637	Fender Sideguard - Plastic, Left, Large	1
9	9001319	Fender Sideguard - Carbon Fiber, Right, Small	1
10	9001322	Fender Sideguard - Carbon Fiber, Left, Small	1
11	9001320	Fender Sideguard - Carbon Fiber, Right, Medium	1
12	9001323	Fender Sideguard - Carbon Fiber, Left, Medium	1
13	9001321	Fender Sideguard - Carbon Fiber, Right, Large	1
14	9001324	Fender Sideguard - Carbon Fiber, Left, Large	1



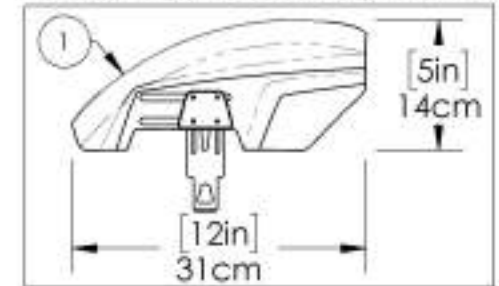
MAKE SURE TO HAVE YOUR SERIAL NUMBER  
 NEARBY WHEN ORDERING PARTS FOR YOUR  
 MOTION COMPOSITES WHEELCHAIR

**9007630 9007633**  
**Fender Sideguard - Plastic, Right**

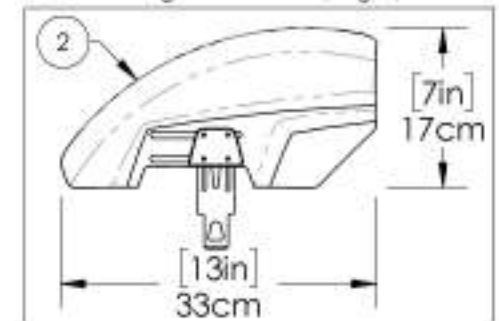
ITEM NO.	PARTNO	DESCRIPTION	9007630 /QTY.	9007631 /QTY.	9007632 /QTY.	9007633 /QTY.
1	51385	REMOVABLE FENDERED PLASTIC SIDEGUARDS X-SMALL, RIGHT	1	-	-	-
2	51386	REMOVABLE FENDERED PLASTIC SIDEGUARDS SMALL, RIGHT	-	1	-	-
3	51387	REMOVABLE FENDERED PLASTIC SIDEGUARDS MEDIUM, RIGHT	-	-	1	-
4	51388	REMOVABLE FENDERED PLASTIC SIDEGUARDS LARGE, RIGHT	-	-	-	1
5	51393	FENDERED SIDEGUARDS ADJUSTING PLATE	1	1	1	1
6	51395	FENDERED SIDEGUARDS INNER PLATE	1	1	1	1
7	90724	SOCKET CAP SCREW M4X0.7 X 10mm LONG, FULLY THREADED + BLUE TREADLOCKER - BLACK ZINC	4	4	4	4



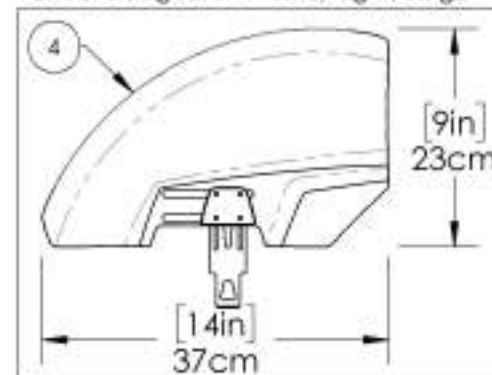
**9007630**  
**Fender Sideguard - Plastic, Right, X-Small**



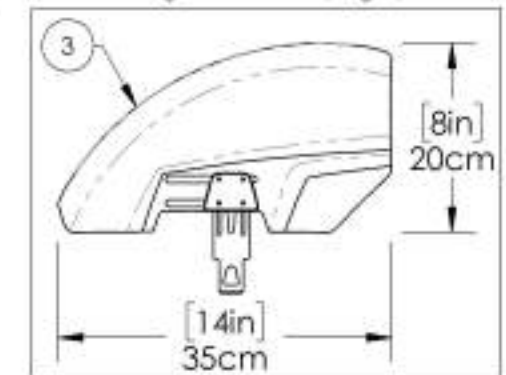
**9007631**  
**Fender Sideguard - Plastic, Right, Small**



**9007633**  
**Fender Sideguard - Plastic, Right, Large**



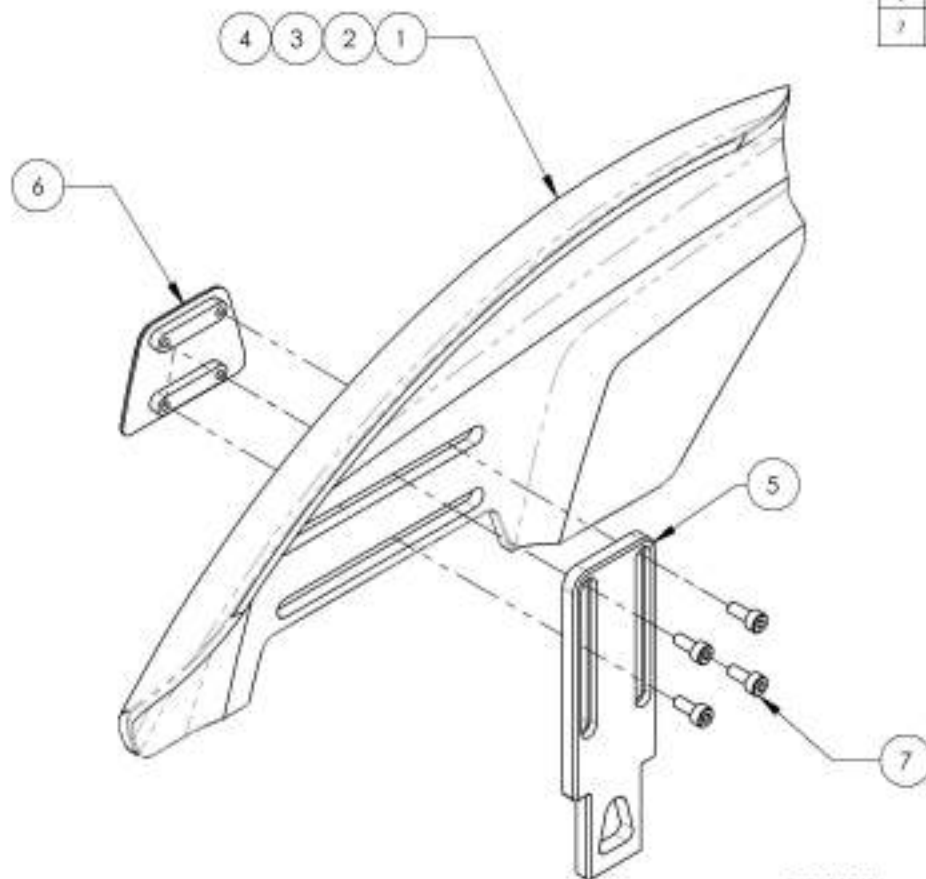
**9007632**  
**Fender Sideguard - Plastic, Right, Medium**



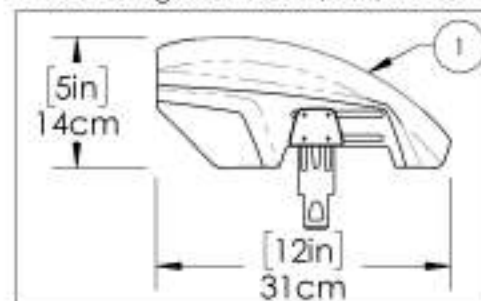
MAKE SURE TO HAVE YOUR SERIAL NUMBER  
 NEARBY WHEN ORDERING PARTS FOR YOUR  
 MOTION COMPOSITES WHEELCHAIR.

**9007634 9007637**  
**Fender Sideguard - Plastic, Left**

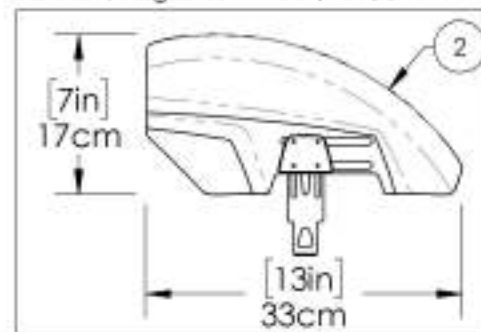
ITEM NO.	PART NO.	DESCRIPTION	9007634 /QTY.	9007635 /QTY.	9007636 /QTY.	9007637 /QTY.
1	51389	REMOVABLE FENDERED PLASTIC SIDEGUARDS X-SMALL, LEFT	1	-	-	-
2	51390	REMOVABLE FENDERED PLASTIC SIDEGUARDS SMALL, LEFT	-	1	-	-
3	51391	REMOVABLE FENDERED PLASTIC SIDEGUARDS MEDIUM, LEFT	-	-	1	-
4	51392	REMOVABLE FENDERED PLASTIC SIDEGUARDS LARGE, LEFT	-	-	-	1
5	51393	FENDERED SIDEGUARDS ADJUSTING PLATE	1	1	1	1
6	51395	FENDERED SIDEGUARDS INNER PLATE	1	1	1	1
7	90724	SOCKET CAP SCREW 3MMX7 X 10mm LONG, FULLY THREADED + BLUE TREADLOCKER - BLACK ZINC	4	4	4	4



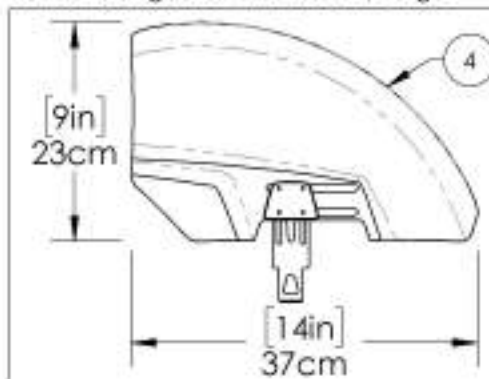
**9007634**  
**Fender Sideguard - Plastic, Left, X-Small**



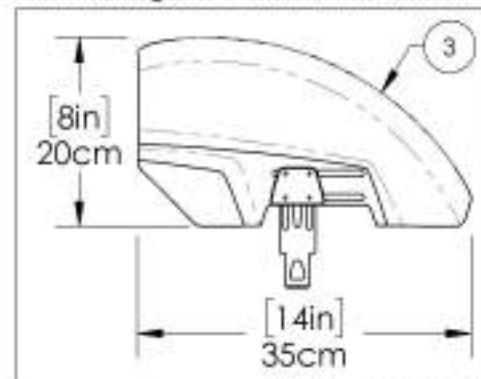
**9007635**  
**Fender Sideguard - Plastic, Left, Small**



**9007637**  
**Fender Sideguard - Plastic, Left, Large**



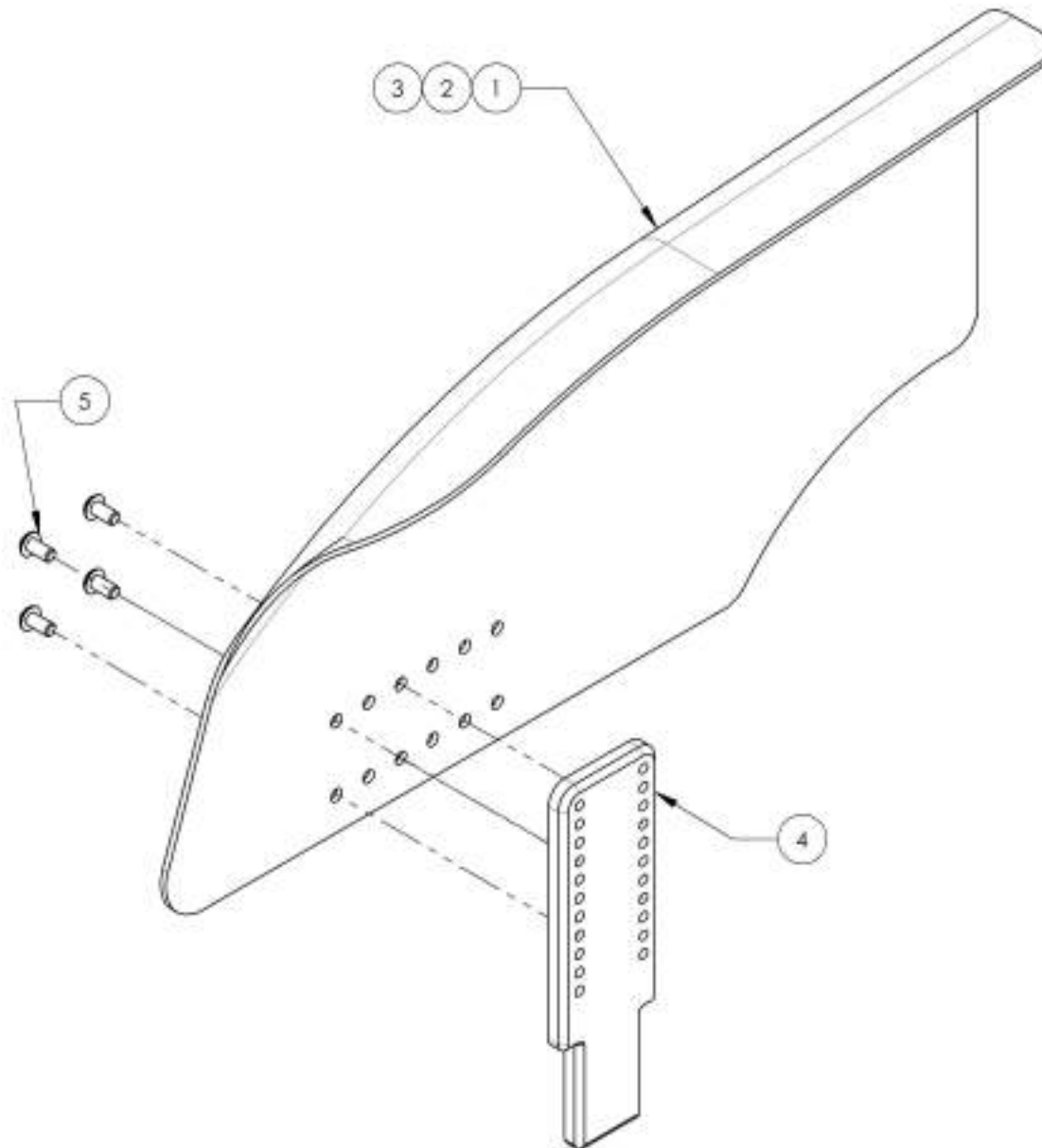
**9007636**  
**Fender Sideguard - Plastic, Left, Medium**



MAKE SURE TO HAVE YOUR SERIAL NUMBER NEARBY WHEN ORDERING PARTS FOR YOUR MOTION COMPOSITES WHEELCHAIR.

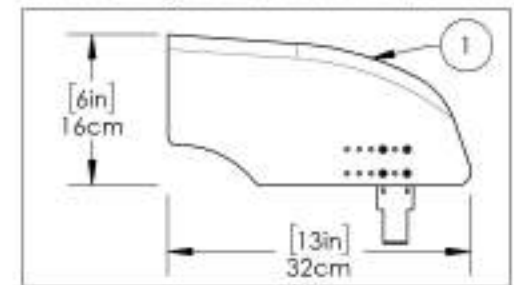
**9001322 9001324**  
**Fender Sideguard - Carbon Fiber, Left**

ITEM NO.	PART NO.	DESCRIPTION	9001322 /QTY.	9001323 /QTY.	9001324 /QTY.
1	51107	CARBON FENDER SIDEGUARD SMALL, LEFT (H-160mm L-321mm)	1	-	-
2	51109	CARBON FENDER SIDEGUARD MEDIUM, LEFT (H-192mm L-332mm)	-	1	-
3	51111	CARBON FENDER SIDEGUARD LARGE, LEFT (H-230mm L-370mm)	-	-	1
4	51118	MIDGUARD & SIDEGUARD ADJUSTING PLATE	1	1	1
5	90631	BUTTON HEAD CAP SCREW M4X0.7 X 8mm LONG, FULLY THREADED + BLUE THREADLOCKER - BLACK DYC	4	4	4



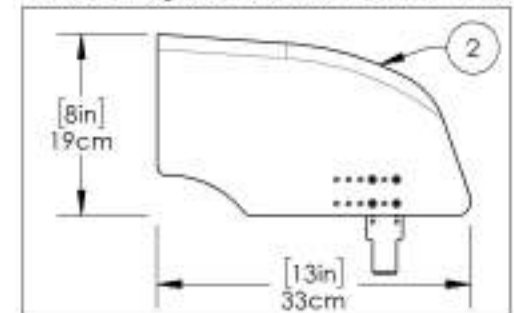
9001322

Fender Sideguard - Carbon Fiber, Left, Small



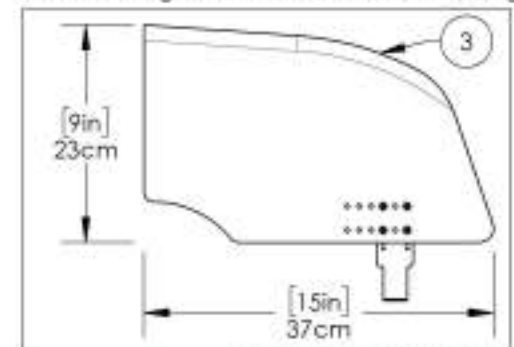
9001323

Fender Sideguard - Carbon Fiber, Left, Medium



9001324

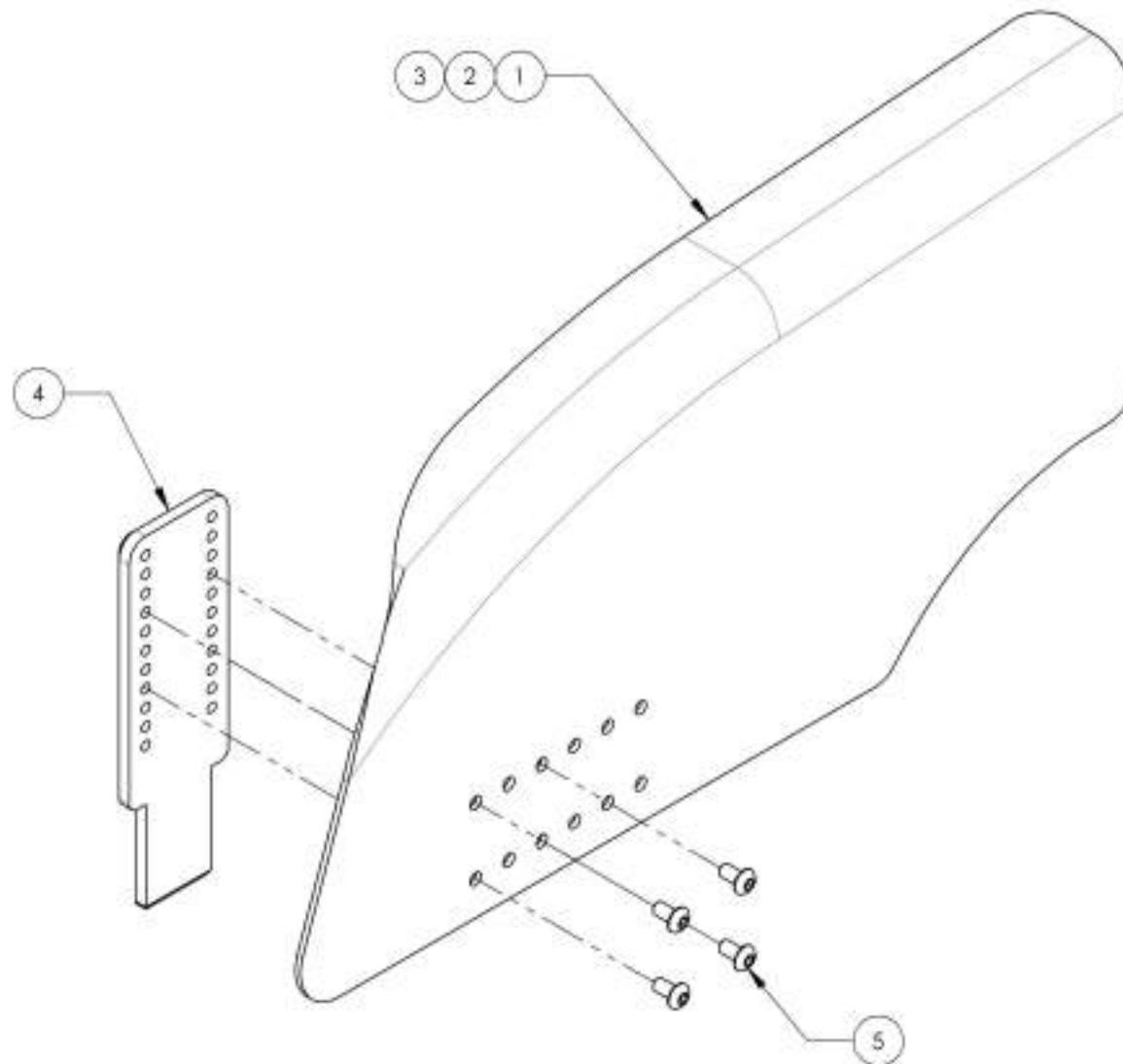
Fender Sideguard - Carbon Fiber, Left, Large



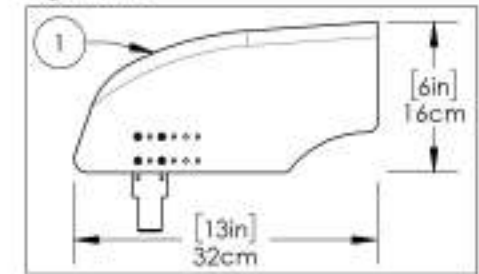
MAKE SURE TO HAVE YOUR SERIAL NUMBER NEARBY WHEN ORDERING PARTS FOR YOUR MOTION COMPOSITES WHEELCHAIR

**9001319 9001321**  
**Fender Sideguard - Carbon Fiber, Right**

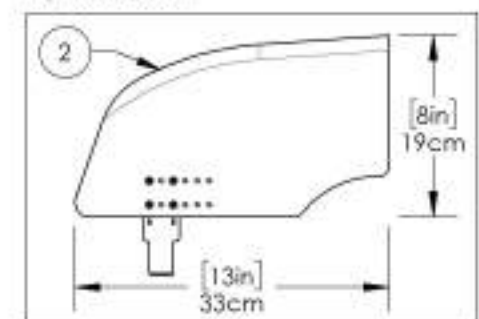
ITEM NO.	PART NO.	DESCRIPTION	9001319 /QTY.	9001320 /QTY.	9001321 /QTY.
1	51106	CARBON FENDER SIDEGUARD SMALL, RIGHT (H-160mm L-321mm)	1	-	-
2	51108	CARBON FENDER SIDEGUARD MEDIUM, RIGHT (H-192mm L-332mm)	-	1	-
3	51110	CARBON FENDER SIDEGUARD LARGE, RIGHT (H-200mm L-370mm)	-	-	1
4	51118	MUDGUARD & SIDEGUARD ADJUSTING PLATE	1	1	1
5	90631	BUTTON HEAD CAP SCREW M4X0.7 X 8mm LONG, FULLY THREADED + BLUE THREADLOCKER - BLACK DYC	4	4	4



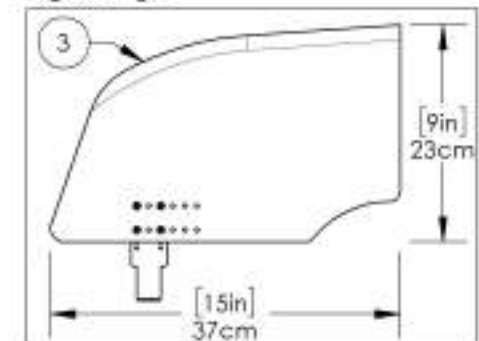
**9001319**  
 Fender Sideguard - Carbon Fiber,  
 Right, Small



**9001320**  
 Fender Sideguard - Carbon Fiber,  
 Right, Medium



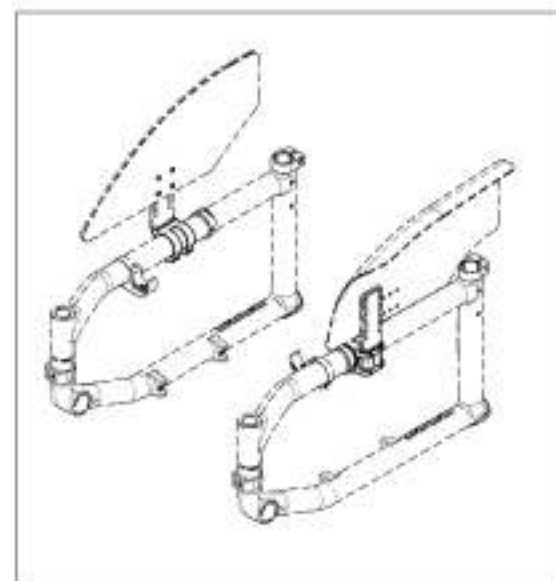
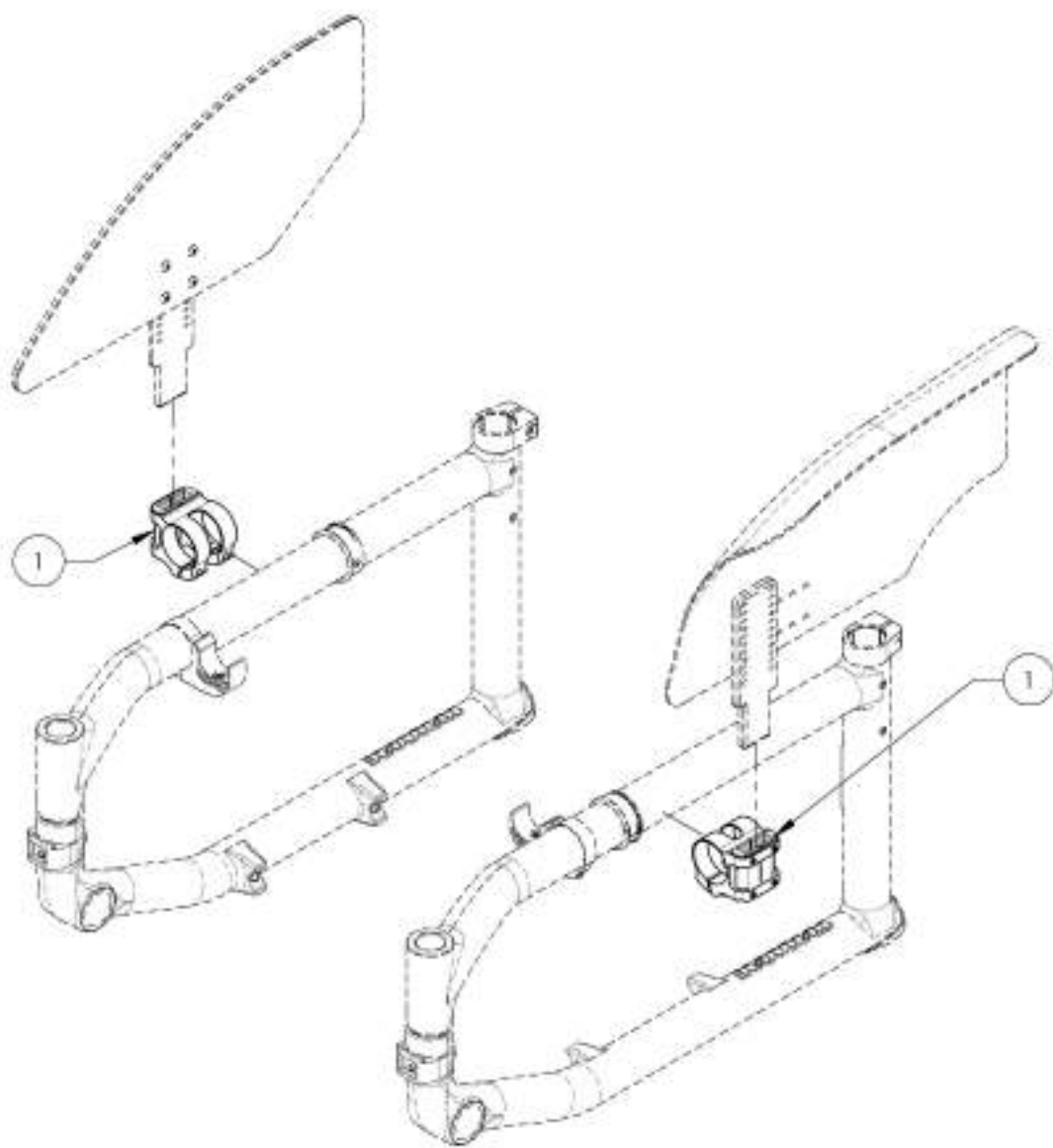
**9001321**  
 Fender Sideguard - Carbon Fiber,  
 Right, Large



MAKE SURE TO HAVE YOUR SERIAL NUMBER  
 NEARBY WHEN ORDERING PARTS FOR YOUR  
 MOTION COMPOSITES WHEELCHAIR

**Sideguard Catalogue**  
**Removable Sideguard & Mudguard Receivers**

ITEM NO.	PARTNO	DESCRIPTION	QTY
1	9001327	Removable Mud Guard & Side Guard - Receiver	2

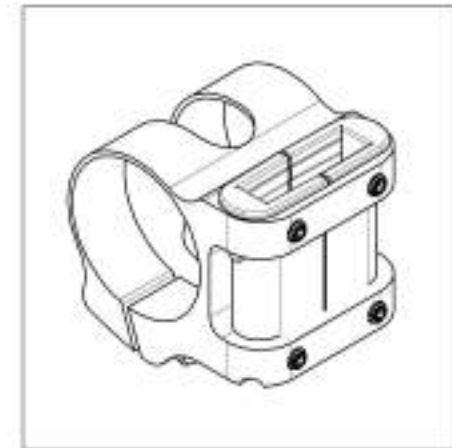
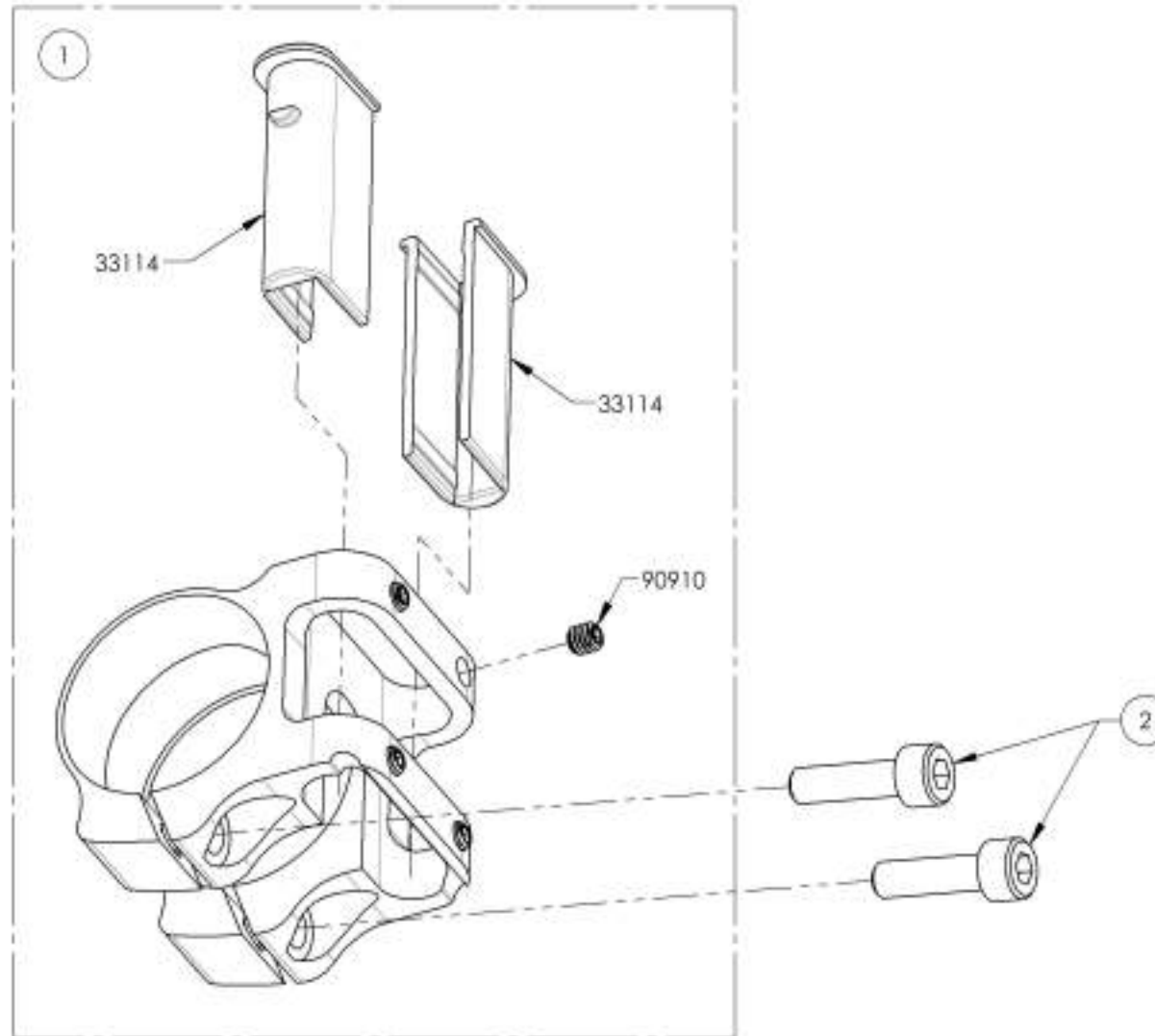


MAKE SURE TO HAVE YOUR SERIAL NUMBER  
NEARBY WHEN ORDERING PARTS FOR YOUR  
MOTION COMPOSITES WHEELCHAIR



**9001327**  
**Removable Mud Guard & Side Guard - Receiver**

ITEM NO.	PARTNO	DESCRIPTION	9001327 /QTY.
1	33557	V2 SIDE GUARD RECEIVER - ASSEMBLY	1
2	90748	SOCKET CAP SCREW M5X0.8 X 18mm LONG, FULLY THREADED + BLUE TREADLOCKER - BLACK DMC	2



MAKE SURE TO HAVE YOUR SERIAL NUMBER  
NEARBY WHEN ORDERING PARTS FOR YOUR  
MOTION COMPOSITES WHEELCHAIR

**Sideguard Catalogue**  
**Sideguards - Cloth**

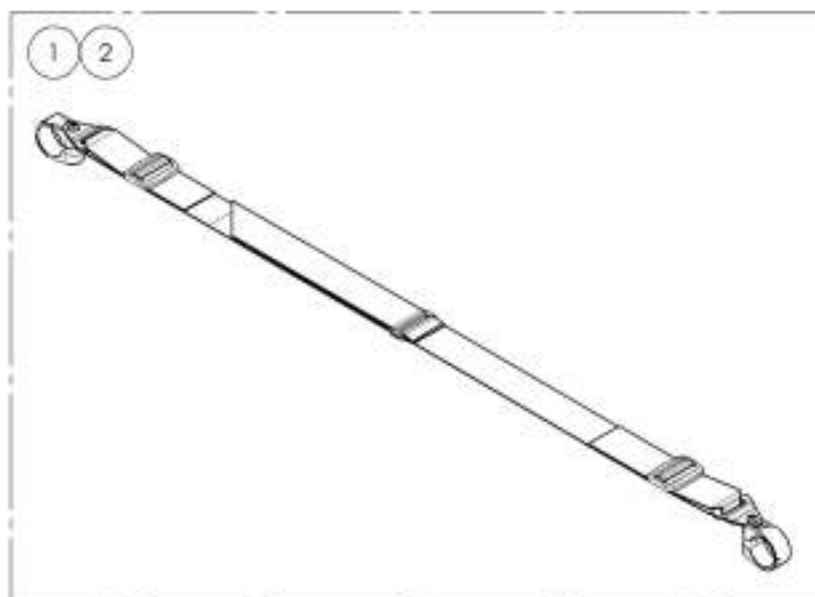
ITEM NO.	PARTNO	DESCRIPTION	QTY
1	9002523	Side Guard - Clothes	1



MAKE SURE TO HAVE YOUR SERIAL NUMBER  
NEARBY WHEN ORDERING PARTS FOR YOUR  
MOTION COMPOSITES WHEELCHAIR

**Seatbelt Catalogue**  
**Positioning Seatbelts**

ITEM NO.	PARTNO	DESCRIPTION	QTY.
1	9001587	Positioning Seatbelt - Velcro Adjustable 35 in	1
2	9002135	Positioning Seatbelt - Velcro Adjustable 60 in	1
3	9001588	Positioning Seatbelt - Auto Buckle 35 in	1
4	9002139	Positioning Seatbelt - Auto Buckle 60 in	1



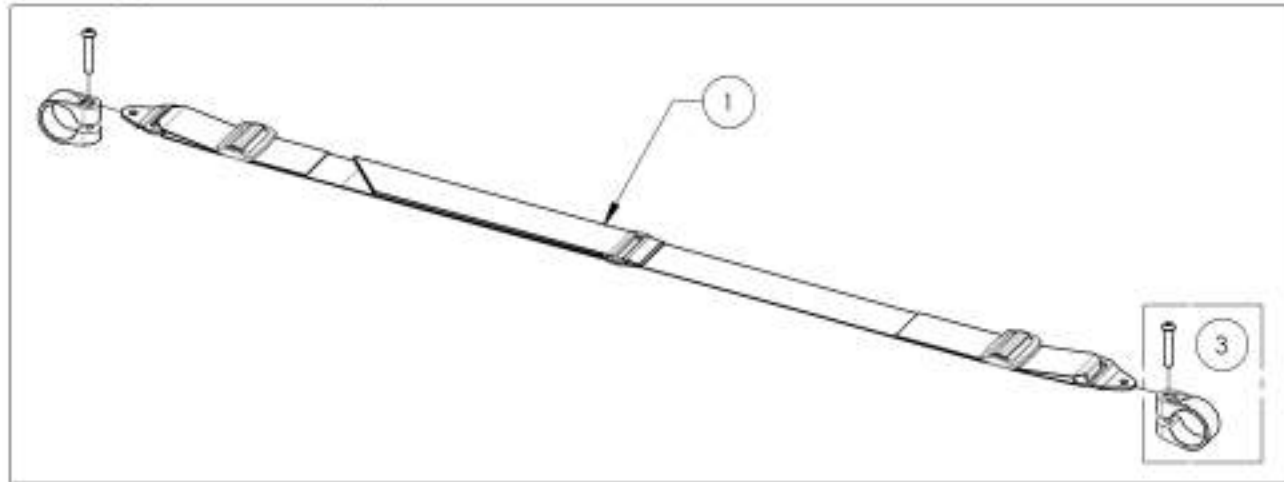
BOTH ITEMS ALREADY INCLUDE THE APPROPRIATE  
 NUMBER OF COMPOSITE CLAMPS

MAKE SURE TO HAVE YOUR SERIAL NUMBER  
 NEARBY WHEN ORDERING PARTS FOR YOUR  
 MOTION COMPOSITES WHEELCHAIR

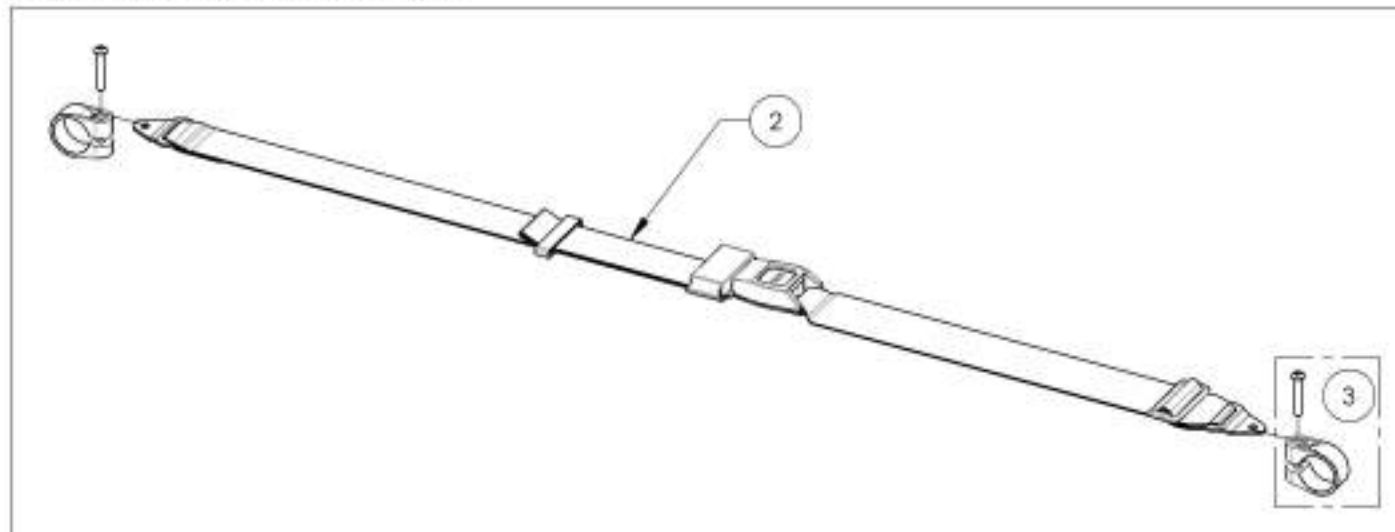
**9001587\_9001588**  
**Positioning Seatbelts 35 in**

ITEM NO.	PARTNO	DESCRIPTION	9001587 /QTY.	9001588 /QTY.
1	51589	VELCRO SEATBELT 35in - ASSEMBLY	1	-
2	51027	POSITIONING SEAT BELT ASSEMBLY	-	1
3	60600	FRAME SAVER ASSEMBLY (PAIR)	1	1

9001587  
Positioning Seatbelt - Velcro Adjustable 35 in



9001588  
Positioning Seatbelt - Auto Buckle 35 in



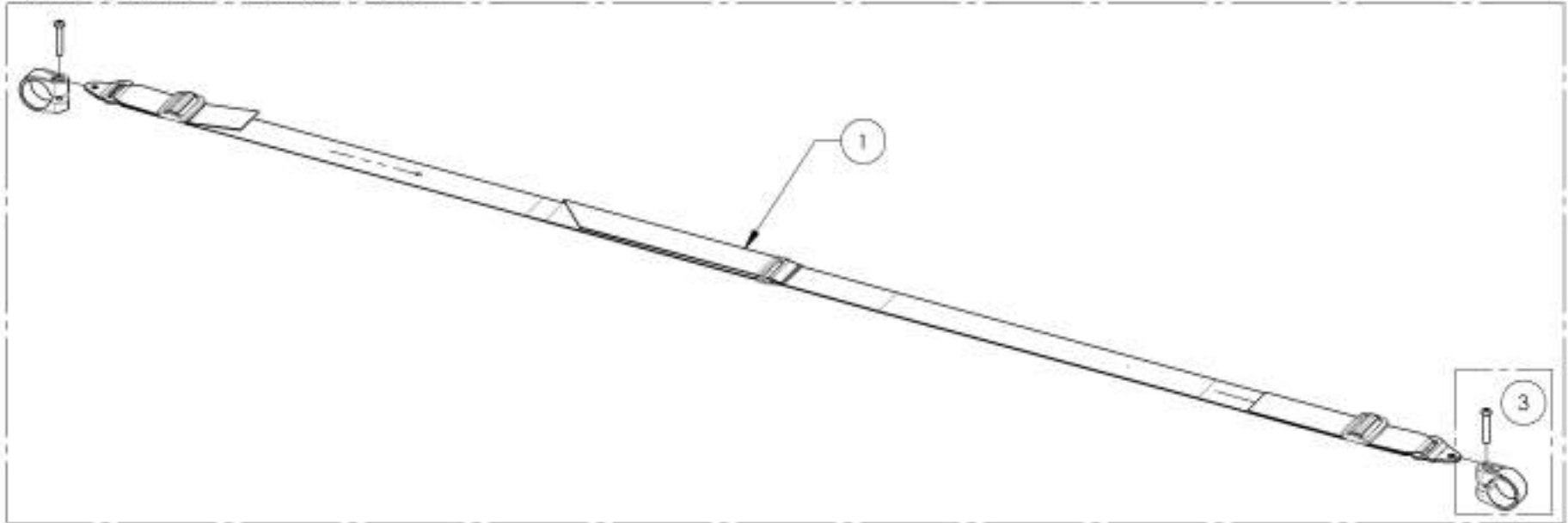
MAKE SURE TO HAVE YOUR SERIAL NUMBER  
NEARBY WHEN ORDERING PARTS FOR YOUR  
MOTION COMPOSITES WHEELCHAIR

**9002138 9002139**  
**Positioning Seatbelts 60 in**

ITEM NO.	PARTNO	DESCRIPTION	9002138 /QTY.	9002139 /QTY.
1	51584	VELCRO-SEATBELT 60in - ASSEMBLY	1	-
2	51583	POSITIONING SEAT BELT 60in - ASSEMBLY	-	1
3	60500	FRAME SAVER ASSEMBLY (PAIR)	1	1

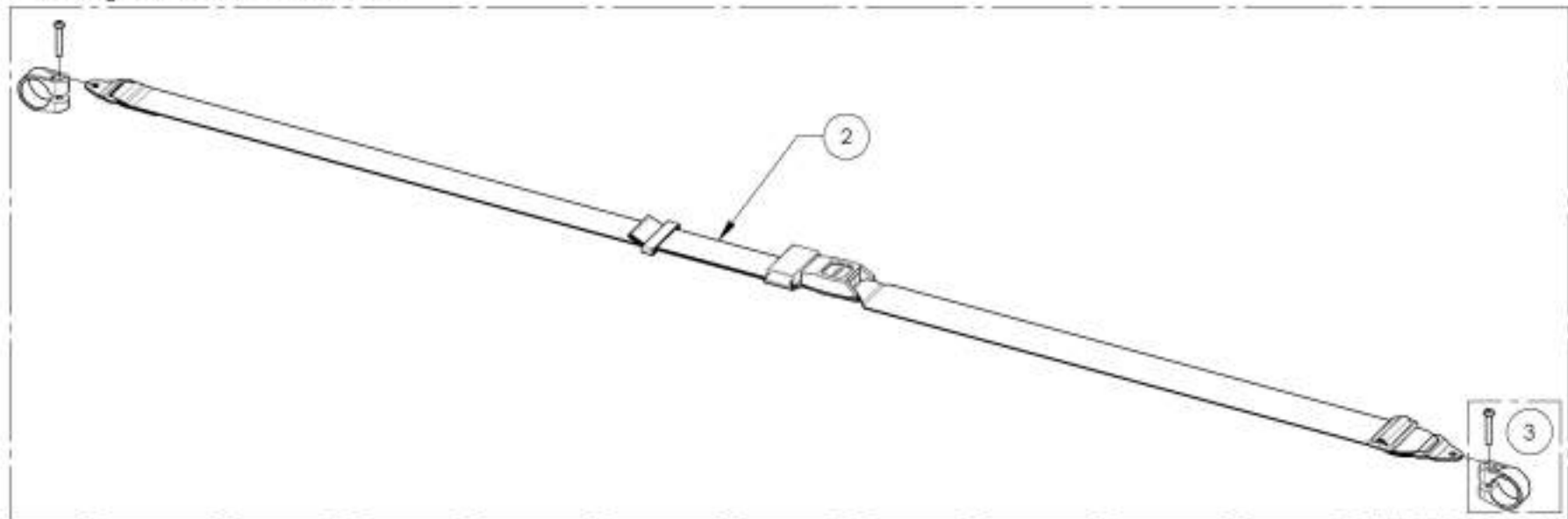
9002138

Positioning Seatbelt - Velcro Adjustable 60 in



9002139

Positioning Seatbelt - Auto Buckle 60 in



MAKE SURE TO HAVE YOUR SERIAL NUMBER  
 NEARBY WHEN ORDERING PARTS FOR YOUR  
 MOTION COMPOSITES WHEELCHAIR

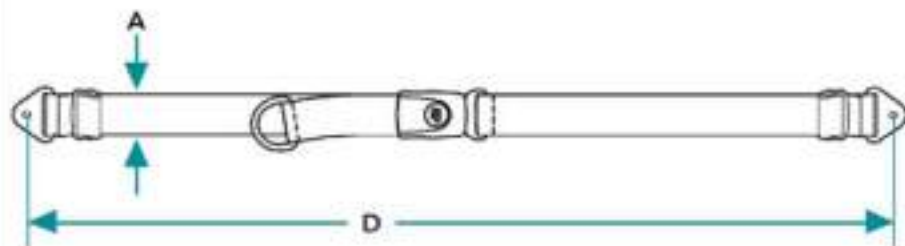
**Seatbelts Catalogue**  
**Positioning Seatbelts - Bodypoint**

ITEMS 1-8 ALREADY INCLUDE THE APPROPRIATE  
 NUMBER OF COMPOSITE CLAMPS

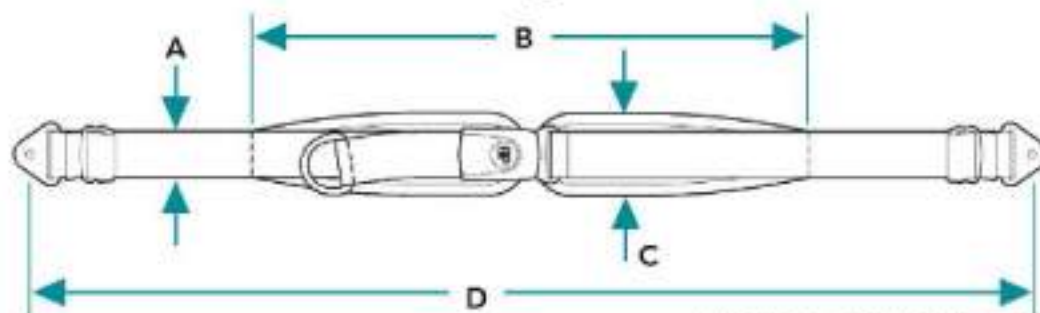


Item#	Part#	Description	A	B	C	D
1	9002221	Positioning Seatbelt - Bodypoint 2 Point, Non-Padded, Medium	4cm (1 ½")	-	-	142cm (56")
2	9002222	Positioning Seatbelt - Bodypoint 2 Point, Non-Padded, Large	5cm (2")	-	-	155cm (61")
3	9002223	Positioning Seatbelt - Bodypoint 2 Point, Padded, Small	4cm (1 ½")	36cm (14")	5.5cm (2 ¼")	130cm (51")
4	9002224	Positioning Seatbelt - Bodypoint 2 Point, Padded, Medium	4cm (1 ½")	46cm (18")	5.5cm (2 ¼")	142cm (56")
5	9002225	Positioning Seatbelt - Bodypoint 2 Point, Padded, Large	5cm (2")	62cm (24 ½")	7cm (2 ¾")	155cm (61")
6	9002226	Positioning Seatbelt - Bodypoint 4 Point, Padded, Small	4cm (1 ½")	36cm (14")	5.5cm (2 ¼")	130cm (51")
7	9002227	Positioning Seatbelt - Bodypoint 4 Point, Padded, Medium	4cm (1 ½")	46cm (18")	5.5cm (2 ¼")	142cm (56")
8	9002228	Positioning Seatbelt - Bodypoint 4 Point, Padded, Large	5cm (2")	62cm (24 ½")	7cm (2 ¾")	155cm (61")

**Non-Padded Hip Belts**



**Padded Hip Belts**



MAKE SURE TO HAVE YOUR SERIAL NUMBER  
 NEARBY WHEN ORDERING PARTS FOR YOUR  
 MOTION COMPOSITES WHEELCHAIR

**9002221\_9002228**  
**Positioning Seatbelts - Bodypoint**

ITEM NO.	PARTNO	DESCRIPTION	9002221 /QTY.	9002222 /QTY.	9002223 /QTY.	9002224 /QTY.	9002225 /QTY.	9002226 /QTY.	9002227 /QTY.	9002228 /QTY.	REPLACEMENT PART/QTY.
1	51131	POSITIONING SEATBELT - BODYPOINT 2 POINT, NON PADDED MEDIUM	1	-	-	-	-	-	-	-	-
2	51211	POSITIONING SEATBELT - BODYPOINT 2 POINT, NON PADDED LARGE	-	1	-	-	-	-	-	-	-
3	51132	POSITIONING SEATBELT - BODYPOINT 2 POINT, PADDED SMALL	-	-	1	-	-	-	-	-	-
4	51133	POSITIONING SEATBELT - BODYPOINT 2 POINT, PADDED MEDIUM	-	-	-	1	-	-	-	-	-
5	51134	POSITIONING SEATBELT - BODYPOINT 2 POINT, PADDED LARGE	-	-	-	-	1	-	-	-	-
6	51212	POSITIONING SEATBELT - BODYPOINT 4 POINT, PADDED SMALL	-	-	-	-	-	1	-	-	-
7	51135	POSITIONING SEATBELT - BODYPOINT 4 POINT, PADDED MEDIUM	-	-	-	-	-	-	1	-	-
8	51136	POSITIONING SEATBELT - BODYPOINT 4 POINT, PADDED LARGE	-	-	-	-	-	-	-	1	-
9	60500	FRAME SAVER ASSEMBLY (PAIR)	1	1	1	1	1	2	2	2	1

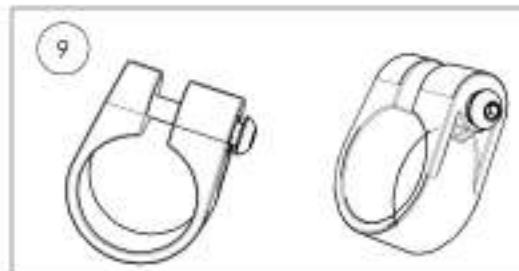
9002221 To 9002222  
 Positioning Seatbelt - Bodypoint 2 Point,  
 Non Padded, Medium, Large

9002223 To 9002225  
 Positioning Seatbelt - Bodypoint 2 Point,  
 Padded, Small, Medium, Large

9002226 To 9002228  
 Positioning Seatbelt - Bodypoint 4 Point,  
 Padded, Small, Medium, Large



+



MAKE SURE TO HAVE YOUR SERIAL NUMBER  
 NEARBY WHEN ORDERING PARTS FOR YOUR  
 MOTION COMPOSITES WHEELCHAIR

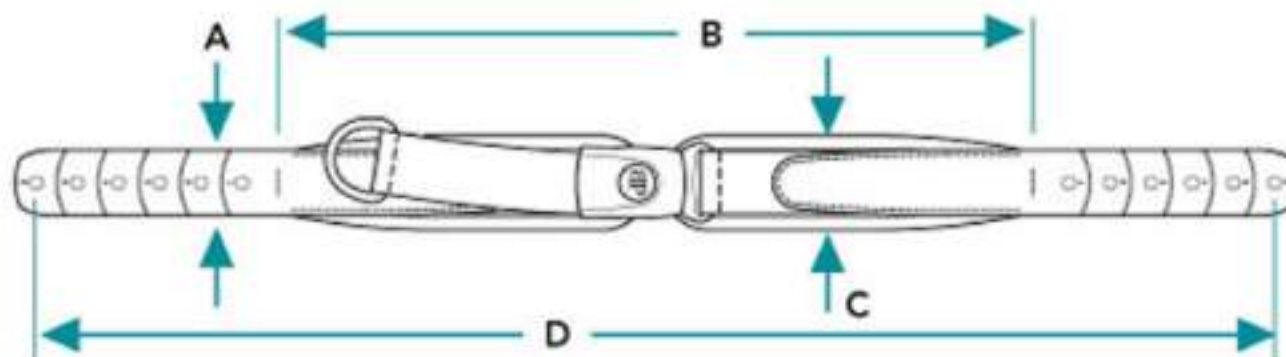




**ALL ITEMS ALREADY INCLUDE A PAIR OF CLAMPS**



Item#	Part#	Description	A	B	C	D
1	9007790	Hip Belt - Bodypoint Evoflex, Rehab Latch, Medium 46cm (18in)	2.5cm (1")	38cm (15")	5cm (2")	63cm (24 3/4")
2	9007791	Hip Belt - Bodypoint Evoflex, Rehab Latch, Large 62cm (24in)	4cm (1 1/2")	46cm (18")	5.5cm (2 1/4")	76cm (29 3/4")
3	9007792	Hip Belt - Bodypoint Evoflex, Swivel, Small 38cm (15in)	4cm (1 1/2")	46cm (18")	5.5cm (2 1/4")	76cm (29 3/4")
4	9007793	Hip Belt - Bodypoint Evoflex, Swivel, Medium 46cm (18in)	5cm (2")	62cm (24 1/2")	7cm (2 3/4")	96cm (37 3/4")



MAKE SURE TO HAVE YOUR SERIAL NUMBER NEARBY WHEN ORDERING PARTS FOR YOUR MOTION COMPOSITES WHEELCHAIR



**9007790\_9007793**  
**Hip Belt - Bodypoint Evoflex**



ITEM NO.	PART NO	DESCRIPTION	9007790 /QTY.	9007791 /QTY.	9007792 /QTY.	9007793 /QTY.
1	51417	BODYPOINT HIP BELT EVOFLEX REHAB LATCH M46	1	-	-	-
2	51418	BODYPOINT HIP BELT EVOFLEX REHAB LATCH L62	-	1	-	-
3	51415	BODYPOINT HIP BELT EVOFLEX SWIVEL S38	-	-	1	-
4	51416	BODYPOINT HIP BELT EVOFLEX SWIVEL M46	-	-	-	1
5	51419	BODYPOINT BAND CLAMP 30mm (PAIR)	1	1	1	1

9007790 & 9007791  
 Hip Belt - Bodypoint Evoflex, Rehab Latch  
 Medium 46cm (18in) & Large 62cm (24in)

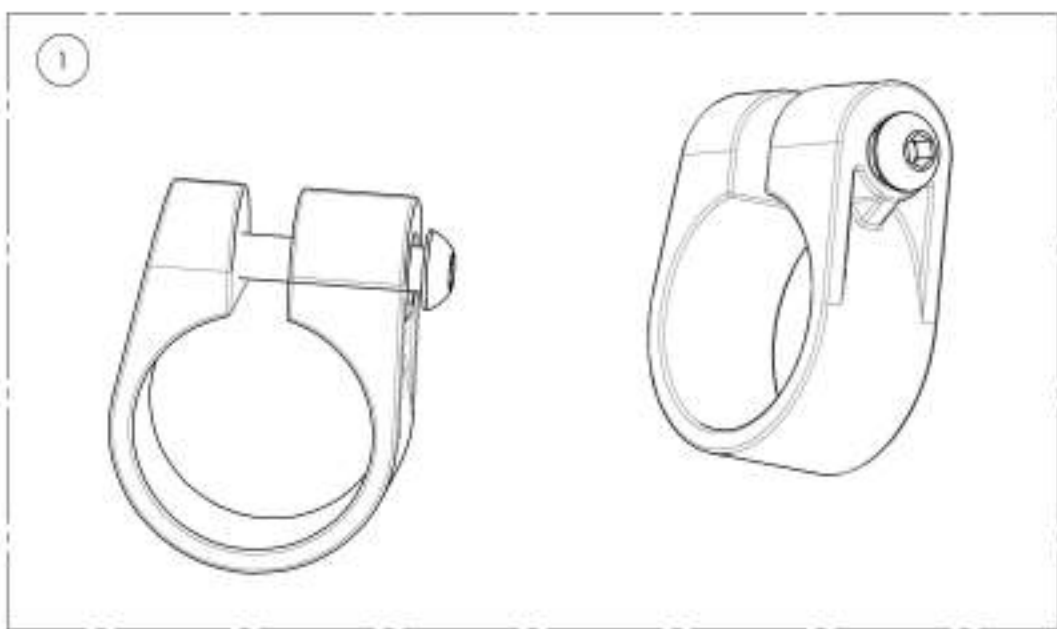
9007792 & 9007793  
 Hip Belt - Bodypoint Evoflex, Swivel  
 Small 38cm (15in) & Medium 46cm (18in)



MAKE SURE TO HAVE YOUR SERIAL NUMBER  
 NEARBY WHEN ORDERING PARTS FOR YOUR  
 MOTION COMPOSITES WHEELCHAIR

**Seatbelt Catalogue**  
**Positioning Seatbelts - Additional Hardware (2 Composite Clamps)**

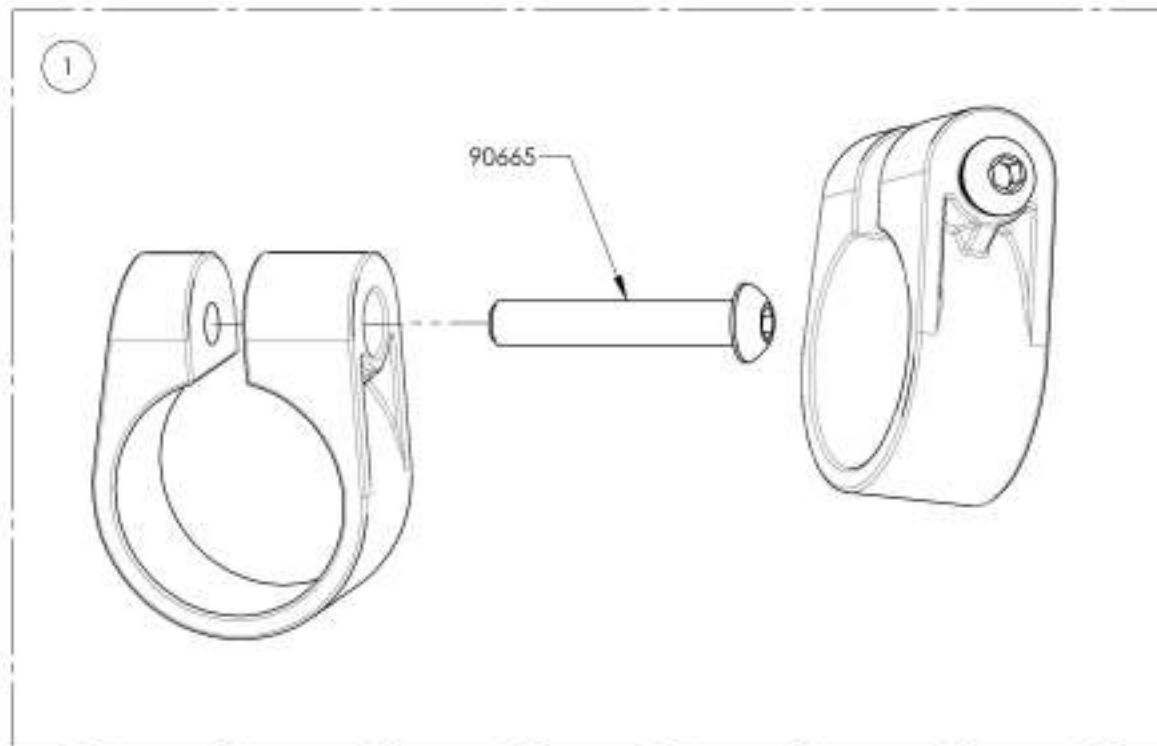
ITEM NO.	PARTNO	DESCRIPTION	QTY.
1	9002220	Positioning Seatbelt - Additional Hardware (2 Composite Clamps)	1



MAKE SURE TO HAVE YOUR SERIAL NUMBER  
NEARBY WHEN ORDERING PARTS FOR YOUR  
MOTION COMPOSITES WHEELCHAIR

**9002220**  
**Positioning Seatbelts - Additional Hardware (2 Composite Clamps)**

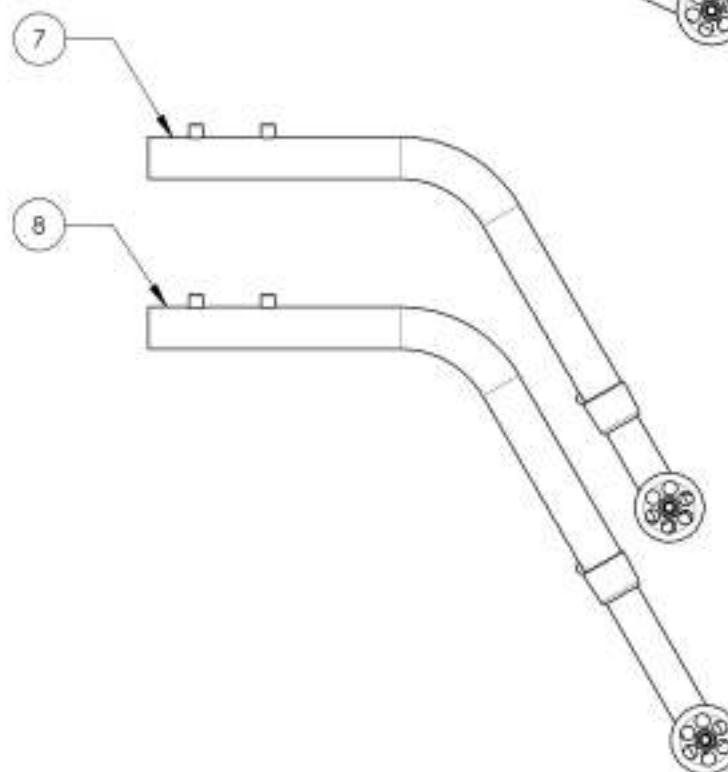
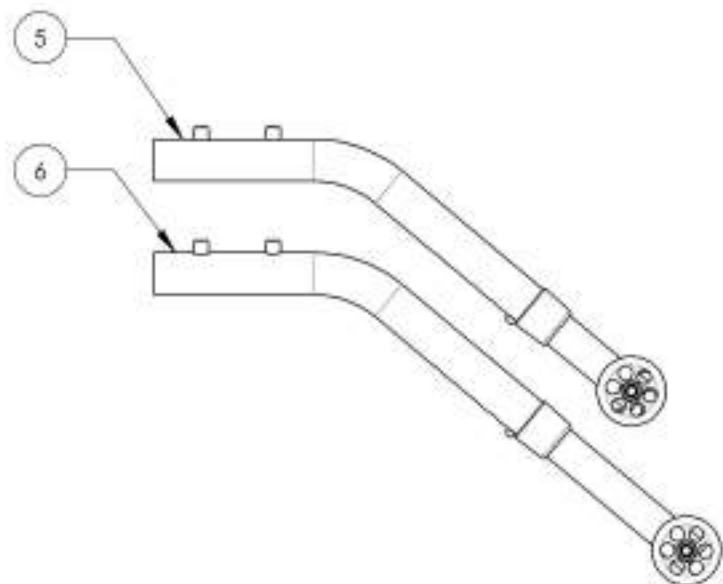
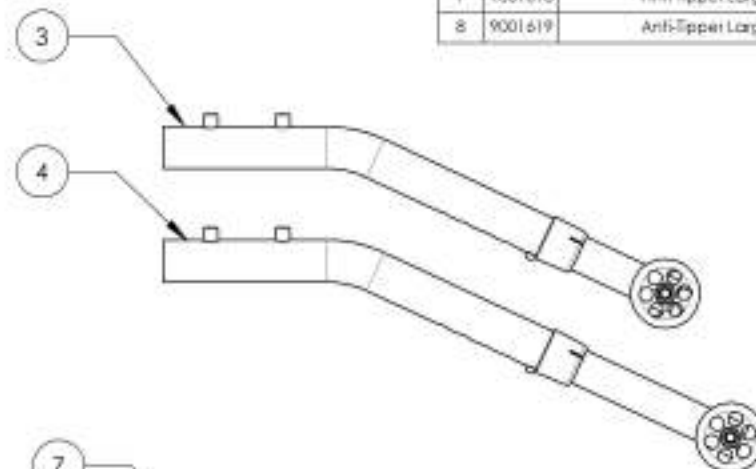
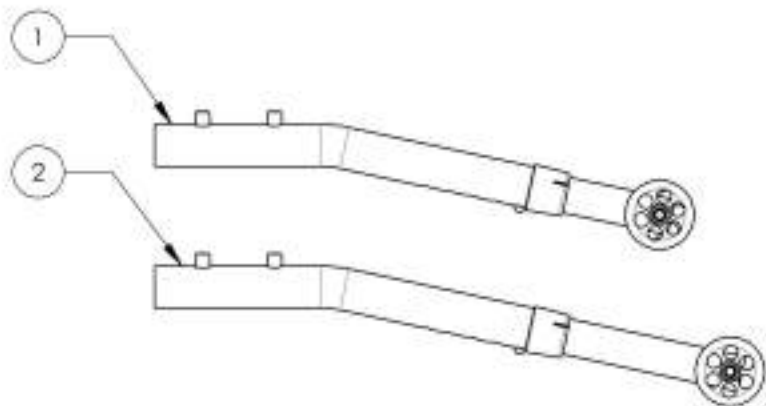
ITEM NO.	PARTNO	DESCRIPTION	9002220 /QTY.
1	60500	FRAME SAVER ASSEMBLY (PAIR)	1



MAKE SURE TO HAVE YOUR SERIAL NUMBER  
NEARBY WHEN ORDERING PARTS FOR YOUR  
MOTION COMPOSITES WHEELCHAIR

**Accessories Catalogue**  
**Anti-tippers**

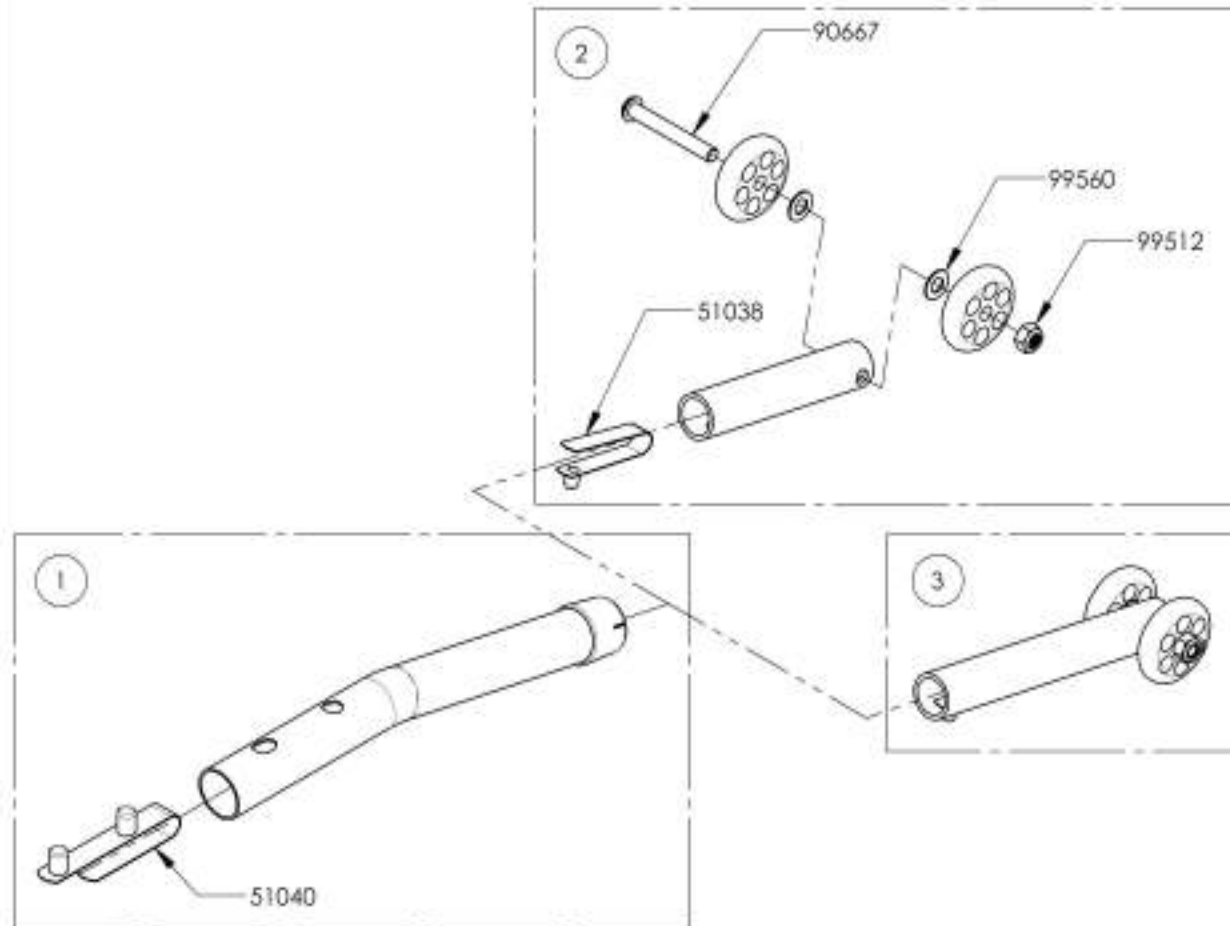
ITEM NO.	PART NO	DESCRIPTION	QTY.
1	9001 620	Anti-Tipper X- Small + Short Extension	1
2	9001 621	Anti-Tipper X- Small + Long Extension	1
3	9001 614	Anti-Tipper Small + Short Extension	1
4	9001 615	Anti-Tipper Small + Long Extension	1
5	9001 616	Anti-Tipper Medium + Short Extension	1
6	9001 617	Anti-Tipper Medium + Long Extension	1
7	9001 618	Anti-Tipper Large + Short Extension	1
8	9001 619	Anti-Tipper Large + Long Extension	1



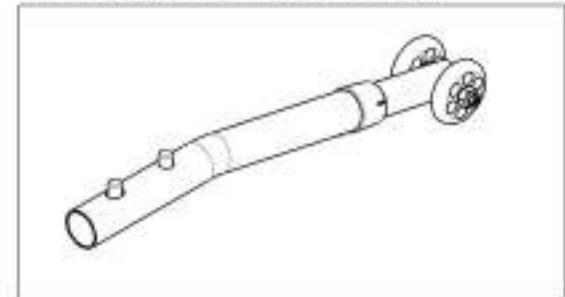
MAKE SURE TO HAVE YOUR SERIAL NUMBER  
NEARBY WHEN ORDERING PARTS FOR YOUR  
MOTION COMPOSITES WHEELCHAIR

**9001620\_9001621**  
**Anti-Tipper X- Small + Extension**

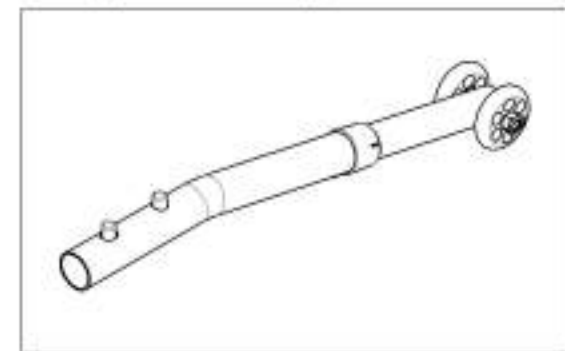
ITEM NO.	PARTNO	DESCRIPTION	9001620 /QTY.	9001621 /QTY.
1	51513	ANTI-TIPPER X-SMALL V2 - ASSEMBLY	1	1
2	51517	ANTI-TIPPER EXTENSION SHORT V2 - ASSEMBLY	1	-
3	51518	ANTI-TIPPER EXTENSION LONG V2 - ASSEMBLY	-	1



9001620  
 Anti-Tipper X- Small + Short Extension



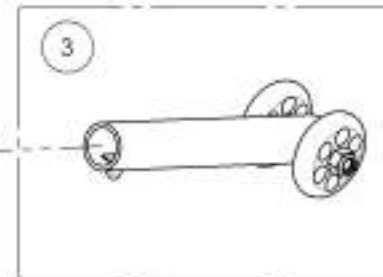
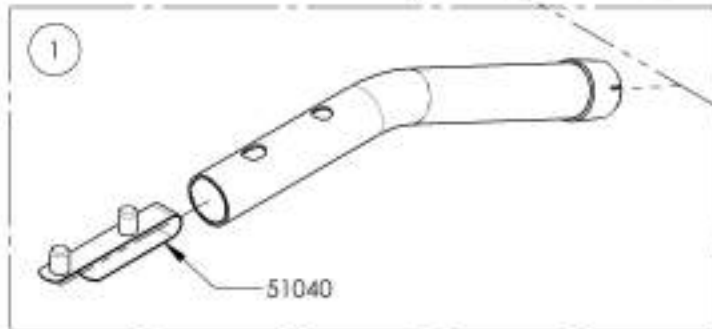
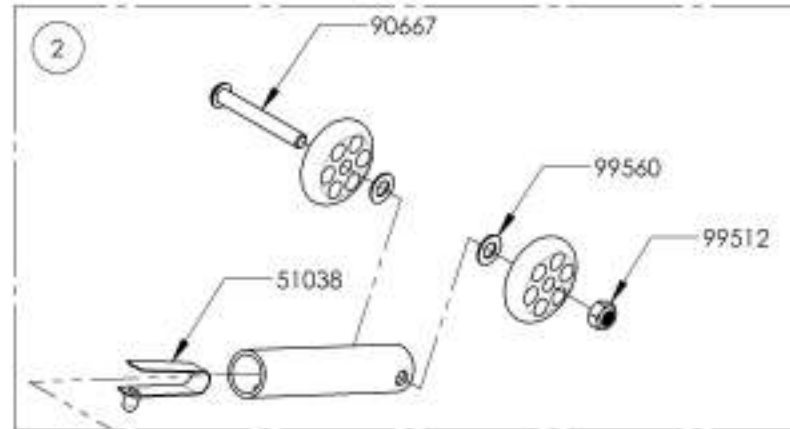
9001621  
 Anti-Tipper X- Small + Long Extension



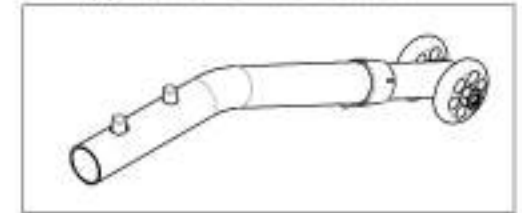
MAKE SURE TO HAVE YOUR SERIAL NUMBER  
 NEARBY WHEN ORDERING PARTS FOR YOUR  
 MOTION COMPOSITES WHEELCHAIR

**9001614\_9001615**  
**Anti-Tipper Small + Extension**

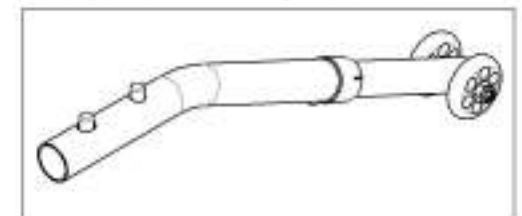
ITEM NO.	PARTNO	DESCRIPTION	9001614 /QTY.	9001615 /QTY.
1	51519	ANTI-TIPPER SMALL V2 - ASSEMBLY	1	1
2	51517	ANTI-TIPPER EXTENSION SHORT V2 - ASSEMBLY	1	-
3	51518	ANTI-TIPPER EXTENSION LONG V2 - ASSEMBLY	-	1



9001614  
 Anti-Tipper Small + Short Extension



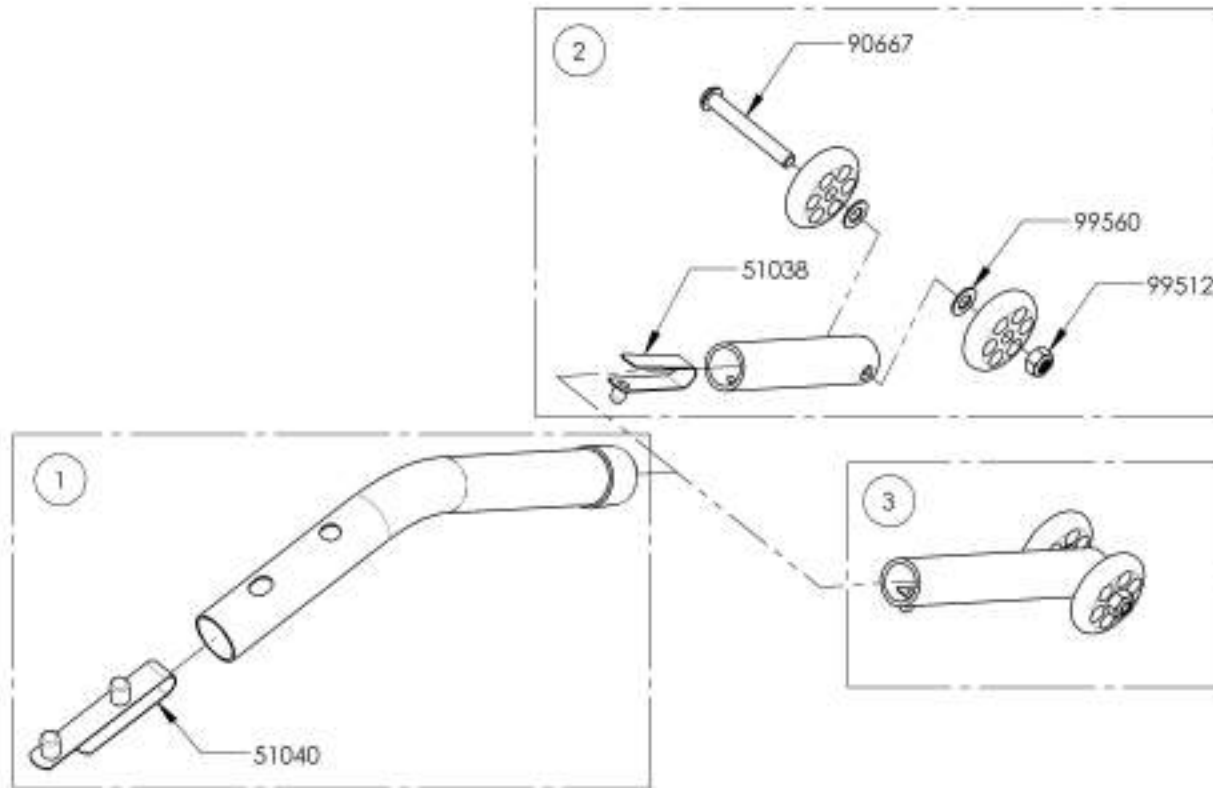
9001615  
 Anti-Tipper Small + Long Extension



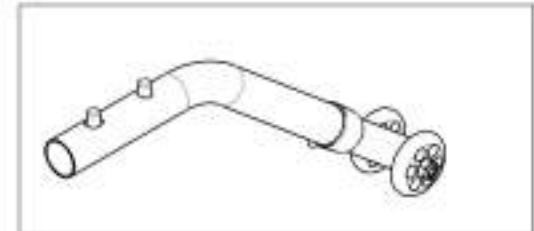
MAKE SURE TO HAVE YOUR SERIAL NUMBER  
 NEARBY WHEN ORDERING PARTS FOR YOUR  
 MOTION COMPOSITES WHEELCHAIR

**9001616\_9001617**  
**Anti-Tipper Medium + Extension**

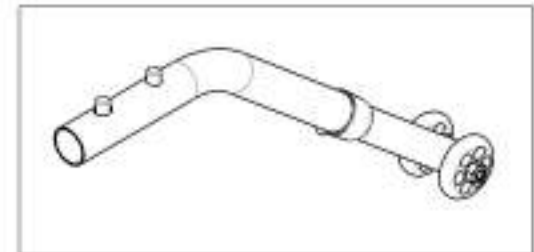
ITEM NO.	PARTNO	DESCRIPTION	9001616 /QTY.	9001617 /QTY.
1	51520	ANTI-TIPPER MEDIUM V2 - ASSEMBLY	1	1
2	51517	ANTI-TIPPER EXTENSION SHORT V2 - ASSEMBLY	1	-
3	51518	ANTI-TIPPER EXTENSION LONG V2 - ASSEMBLY	-	1



9001616  
 Anti-Tipper Medium + Short Extension



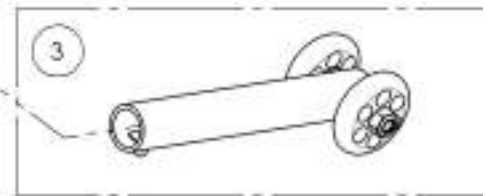
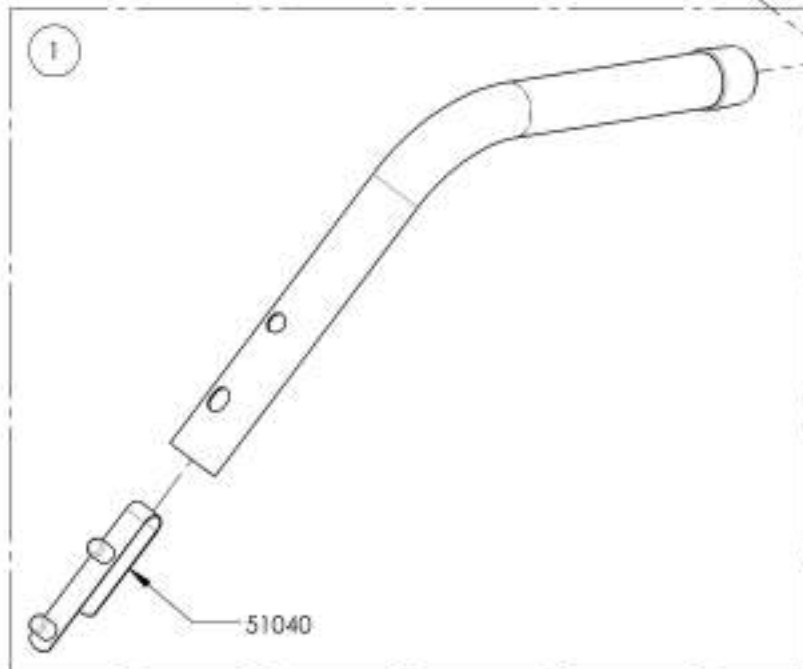
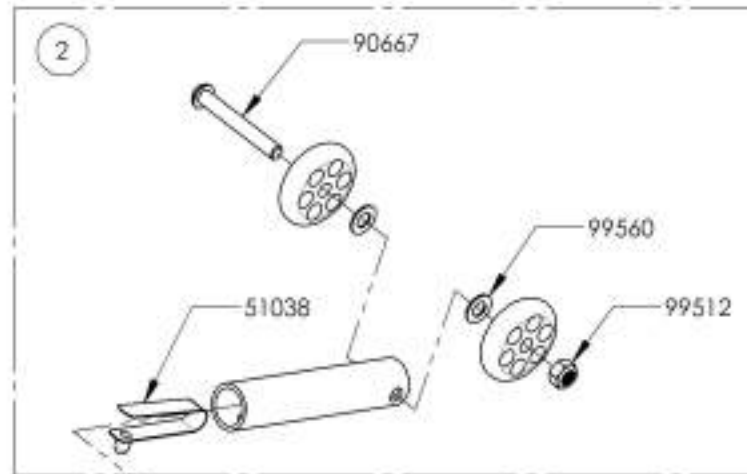
9001617  
 Anti-Tipper Medium + Long Extension



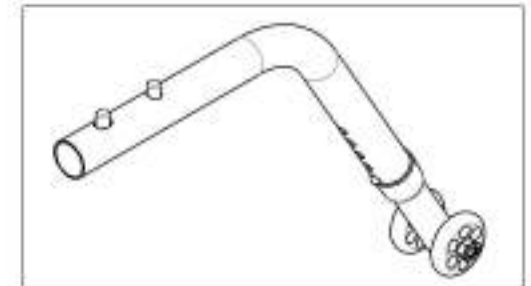
MAKE SURE TO HAVE YOUR SERIAL NUMBER  
 NEARBY WHEN ORDERING PARTS FOR YOUR  
 MOTION COMPOSITES WHEELCHAIR

**9001618\_9001619**  
**Anti-Tipper Large + Extension**

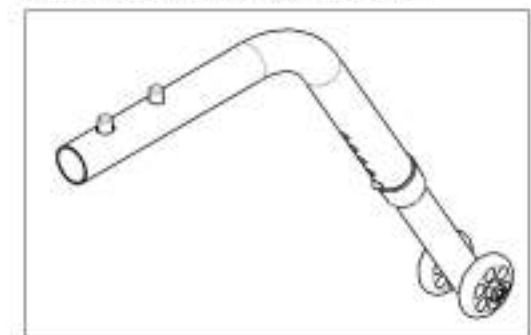
ITEM NO.	PARTNO	DESCRIPTION	9001618 /QTY.	9001619 /QTY.
1	51521	ANTI-TIPPER LARGE V2 - ASSEMBLY	1	1
2	51517	ANTI-TIPPER EXTENSION SHORT V2 - ASSEMBLY	1	-
3	51518	ANTI-TIPPER EXTENSION LONG V2 - ASSEMBLY	-	1



9001618  
 Anti-Tipper Large + Short Extension



9001619  
 Anti-Tipper Large + Long Extension

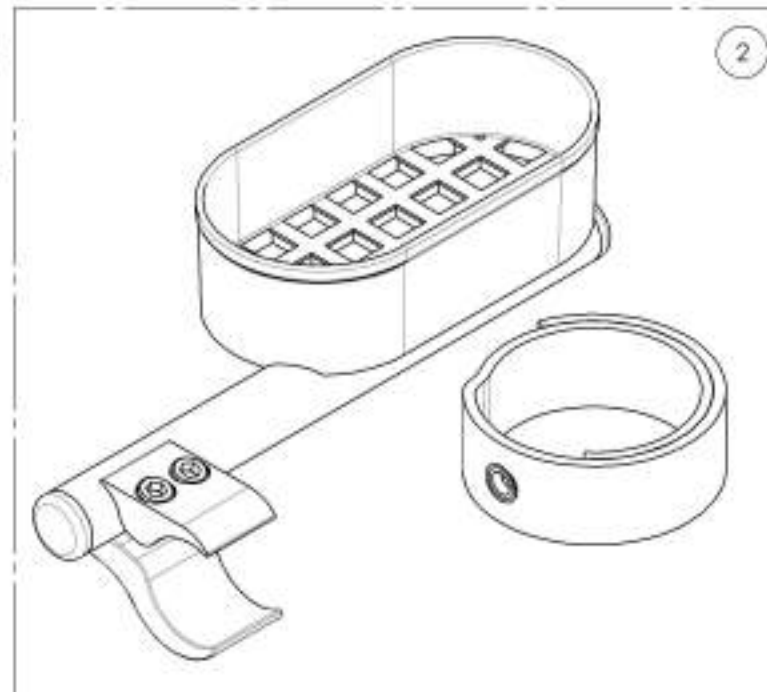
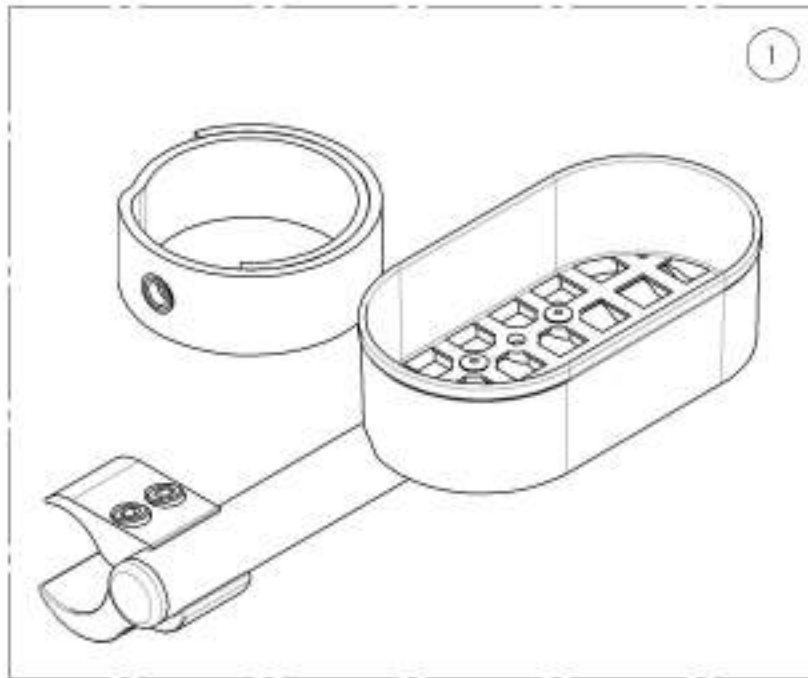


MAKE SURE TO HAVE YOUR SERIAL NUMBER  
 NEARBY WHEN ORDERING PARTS FOR YOUR  
 MOTION COMPOSITES WHEELCHAIR



**Accessories Catalogue**  
**Cane Holders**

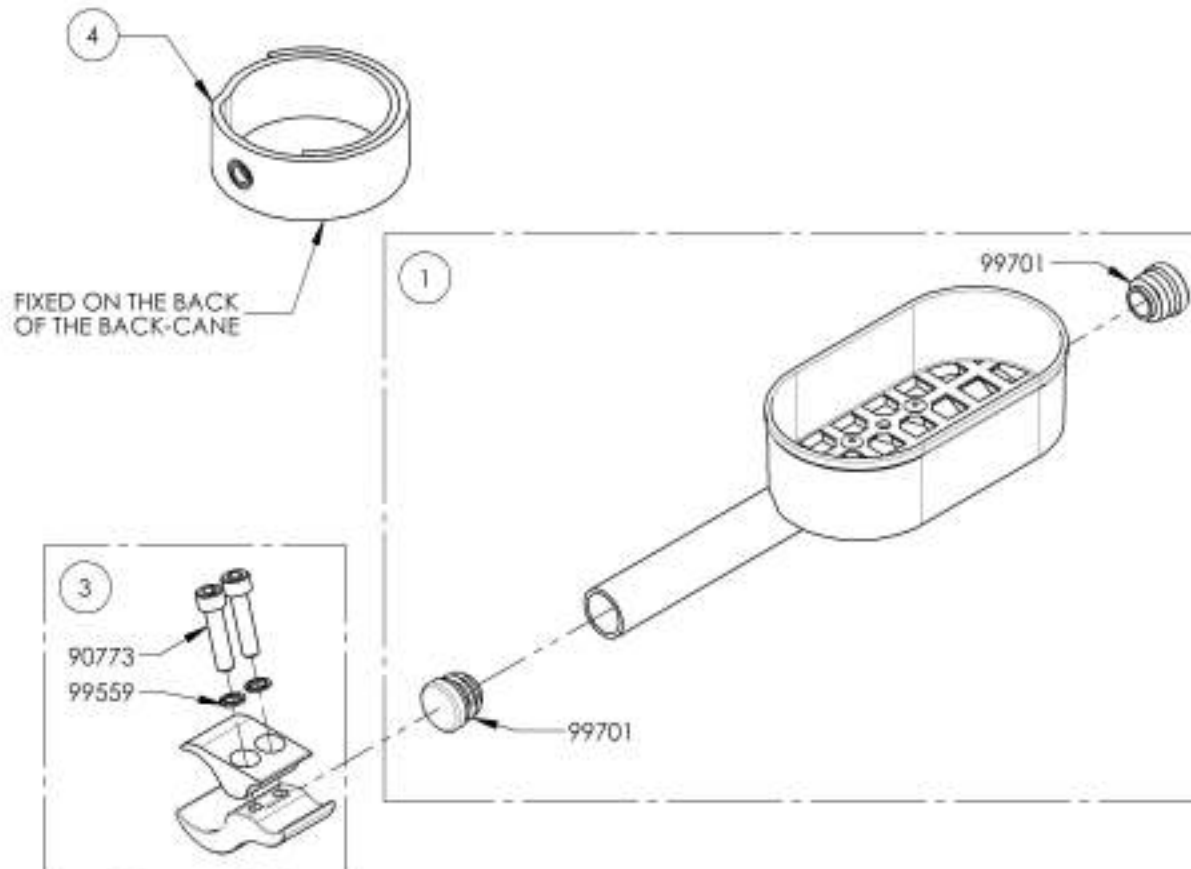
ITEM NO.	PARTNO	DESCRIPTION	QTY.
1	9001627	Cone Holder - Right	1
2	9001628	Cone Holder - Left	1



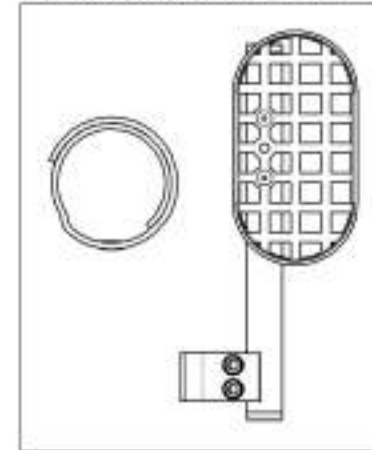
MAKE SURE TO HAVE YOUR SERIAL NUMBER  
NEARBY WHEN ORDERING PARTS FOR YOUR  
MOTION COMPOSITES WHEELCHAIR

**9001627\_9001628  
Cane Holders**

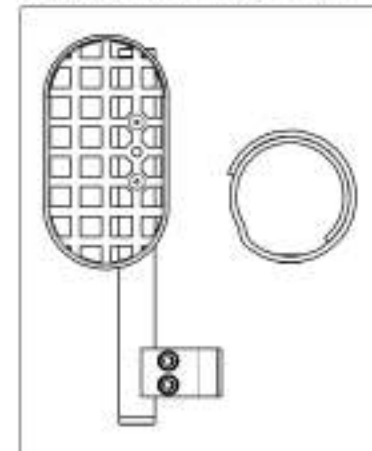
ITEM NO.	PARTNO	DESCRIPTION	9001628 /QTY.	9001627 /QTY.
1	51505	CANE HOLDER RIGHT - ASSEMBLY	-	1
2	51506	CANE HOLDER LEFT - ASSEMBLY	1	-
3	41501	BRAKE CLAMP	1	1
4	51023	CANE HOLDER STRAP	1	1



9001627 - Cane Holder - Right



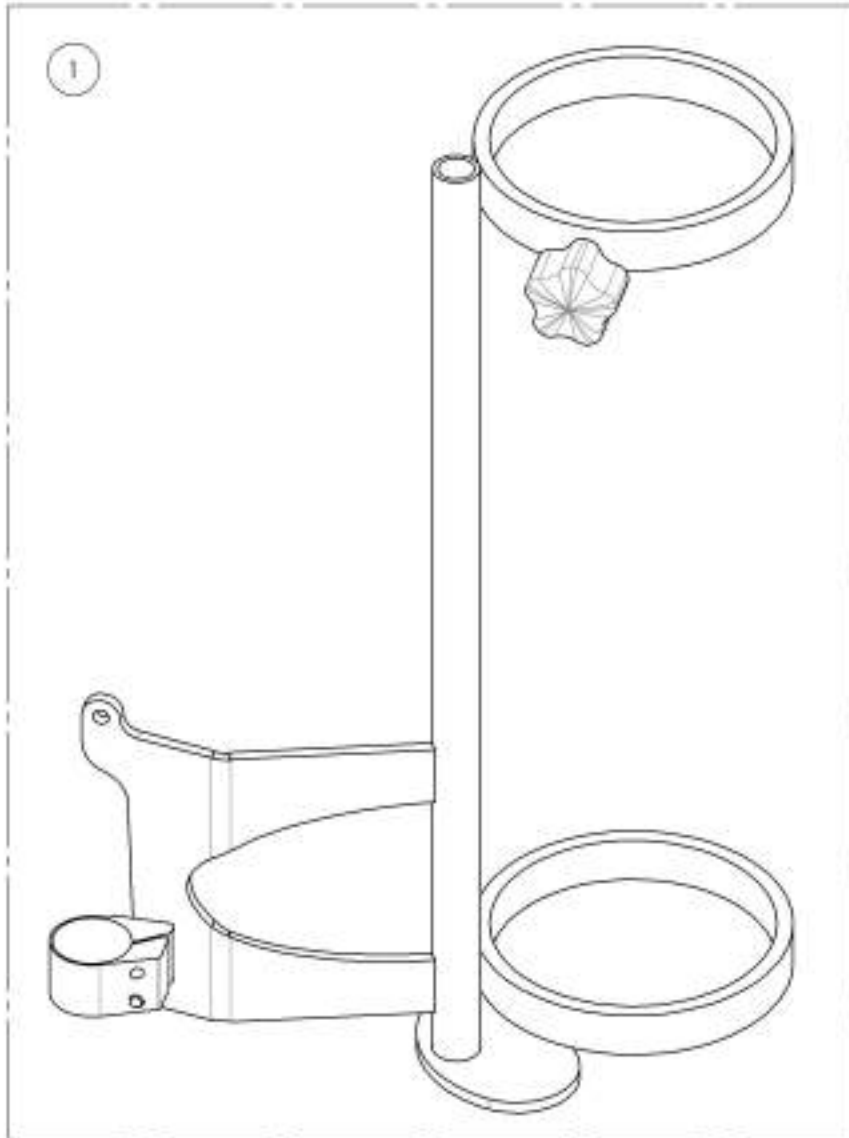
9001628 - Cane Holder - Left



MAKE SURE TO HAVE YOUR SERIAL NUMBER NEARBY WHEN ORDERING PARTS FOR YOUR MOTION COMPOSITES WHEELCHAIR

**Accessories Catalogue**  
**Oxygen Tank Holder**

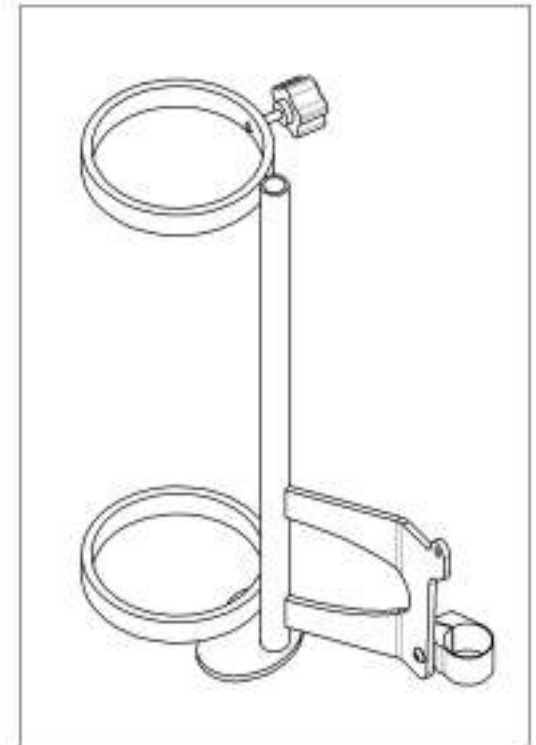
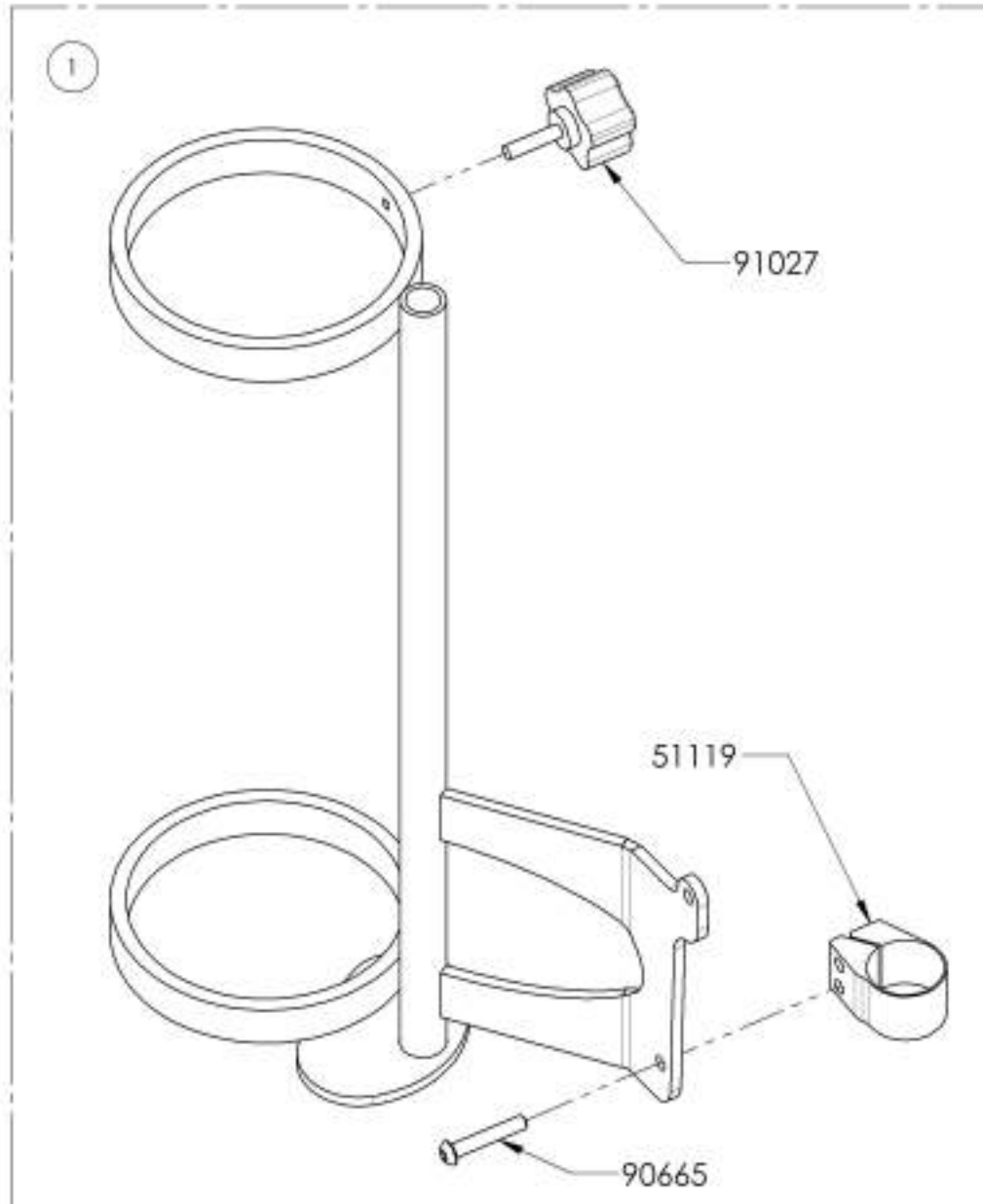
ITEM NO.	PARTNO	DESCRIPTION	QTY.
1	9001640	Oxygen Tank Holder	1



MAKE SURE TO HAVE YOUR SERIAL NUMBER  
NEARBY WHEN ORDERING PARTS FOR YOUR  
MOTION COMPOSITES WHEELCHAIR

**9001640  
Oxygen Tank Holder**

ITEM NO.	PARTNO	DESCRIPTION	9001640 /QTY.
1	.60501	OXYGEN TANK HOLDER - ASSEMBLY	1



MAKE SURE TO HAVE YOUR SERIAL NUMBER  
NEARBY WHEN ORDERING PARTS FOR YOUR  
MOTION COMPOSITES WHEELCHAIR

**Accessories Catalogue**  
**Footrest Neopren Impact Guards**

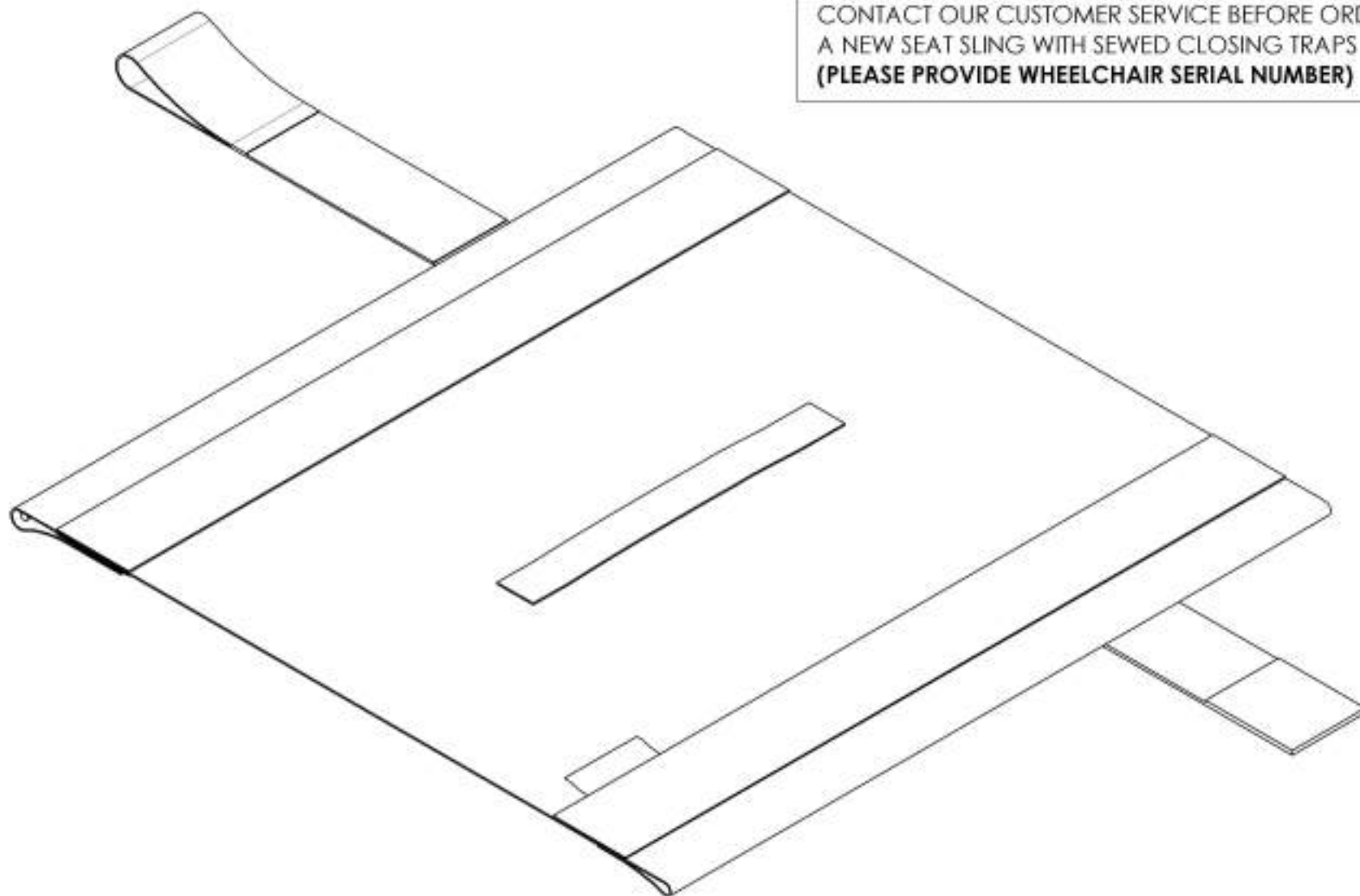
ITEM NO.	PARTNO	DESCRIPTION	QTY.
1	9001633	Footrest Impact Guard - Neoprene - Black (Pair)	1



MAKE SURE TO HAVE YOUR SERIAL NUMBER  
NEARBY WHEN ORDERING PARTS FOR YOUR  
MOTION COMPOSITES WHEELCHAIR

**Accessories Catalogue**  
**Closing Straps**

ITEM NO.	PARTNO	DESCRIPTION	QTY.
1	9007610	Closing Strap Sewed with Seat Sling (Specify Seat Width & Depth)	1



CONTACT OUR CUSTOMER SERVICE BEFORE ORDERING  
A NEW SEAT SLING WITH SEWED CLOSING TRAPS  
**(PLEASE PROVIDE WHEELCHAIR SERIAL NUMBER)**

MAKE SURE TO HAVE YOUR SERIAL NUMBER  
NEARBY WHEN ORDERING PARTS FOR YOUR  
MOTION COMPOSITES WHEELCHAIR

**Accessories Catalogue  
Newton Backpack**

ITEM NO.	PARTNO	DESCRIPTION	QTY
1	9003059	Backpack - Newton	1



20"  
51cm

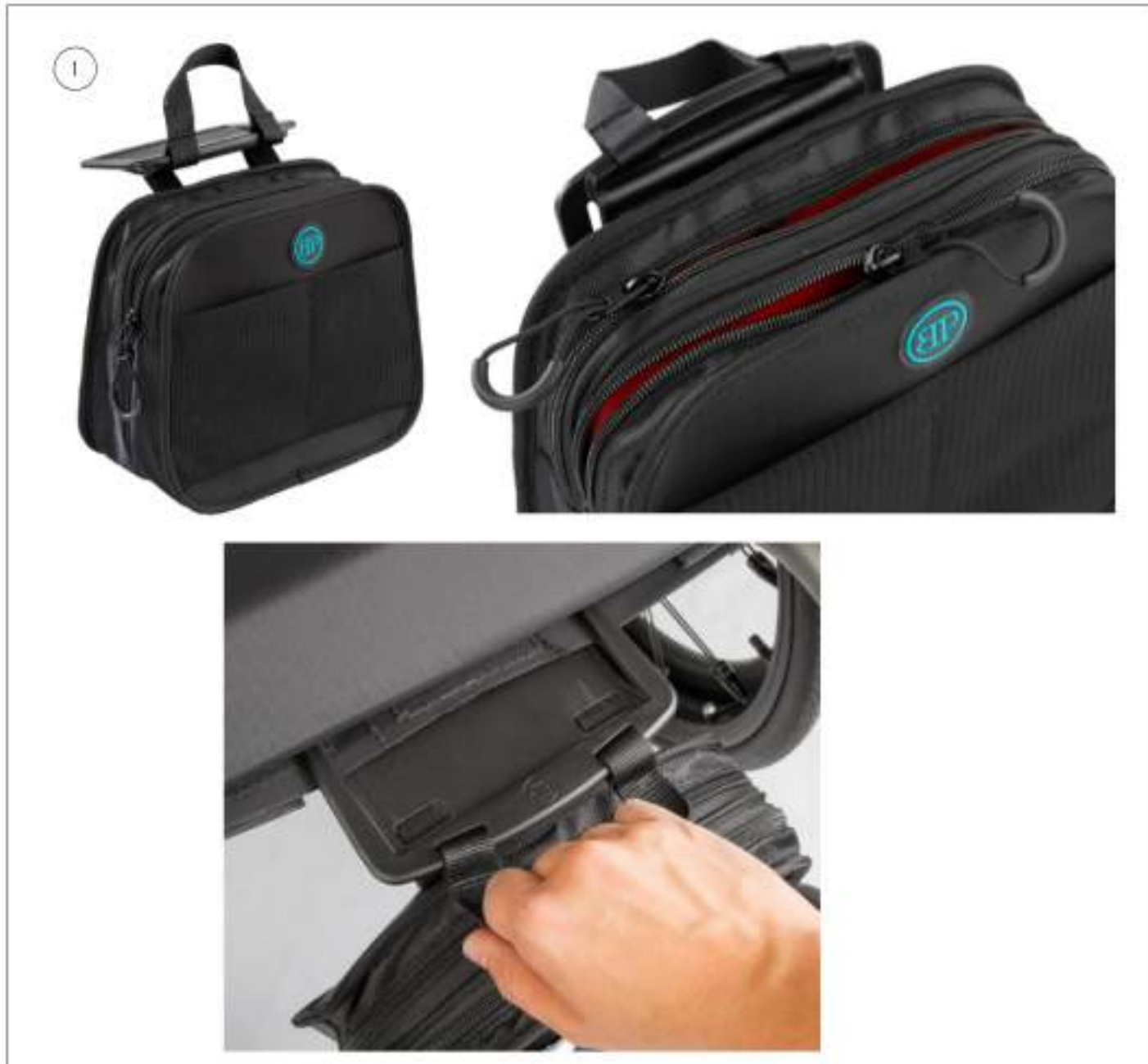
13"  
33cm



MAKE SURE TO HAVE YOUR SERIAL NUMBER  
NEARBY WHEN ORDERING PARTS FOR YOUR  
MOTION COMPOSITES WHEELCHAIR

**Accessories Catalogue**  
**Bodypoint Mobility Bag**

ITEM NO.	PARTNO	DESCRIPTION	QTY
1	9007794	Bag - Bodypoint Mobility	1



MAKE SURE TO HAVE YOUR SERIAL NUMBER  
NEARBY WHEN ORDERING PARTS FOR YOUR  
MOTION COMPOSITES WHEELCHAIR



**Accessories Catalogue**  
**Seat Pouch**

ITEM NO.	PARTNO	DESCRIPTION	QTY.
1	9001 634	Seat Pouch - Motion Composites	1



MAKE SURE TO HAVE YOUR SERIAL NUMBER  
NEARBY WHEN ORDERING PARTS FOR YOUR  
MOTION COMPOSITES WHEELCHAIR

**Accessories Catalogue**  
**Tool Kit**

ITEM NO.	PARTNO	DESCRIPTION	QTY.
1	9001643	Tool Kit	1
2	9002426	Tool - Screwdriver 1.5mm HEX	1



MAKE SURE TO HAVE YOUR SERIAL NUMBER  
NEARBY WHEN ORDERING PARTS FOR YOUR  
MOTION COMPOSITES WHEELCHAIR

**9001643  
Tool Kit**

ITEM NO.	PARTNO	DESCRIPTION	9001643 /QTY.
1	80001	THREADED KNOB	1
2	51120	METRIC TOOL KIT	1
3	80002	3" TOOL	1



MAKE SURE TO HAVE YOUR SERIAL NUMBER  
NEARBY WHEN ORDERING PARTS FOR YOUR  
MOTION COMPOSITES WHEELCHAIR

**Color Options Catalogue**  
**Stickers - Platine & Helio K**

ITEM NO.	PARTNO	DESCRIPTION	QTY
1	9007604	Sticker - Platine 1, Frame, Bottom Tube - Black (Pair)	1
2	9007605	Sticker - Platine 1, Frame, Bottom Tube - White (Pair)	1
3	9007606	Sticker - Platine 2, Frame, Bottom Tube - Black (Pair)	1
4	9007607	Sticker - Platine 2, Frame, Bottom Tube - White (Pair)	1
5	9007608	Sticker - Helio K, Frame, Bottom Tube - Black (Pair)	1
6	9007609	Sticker - Helio K, Frame, Bottom Tube - White (Pair)	1
7	9002439	Sticker - Motion Composites, Frame, Rear Tube, Right - Black	1
8	9002440	Sticker - Motion Composites, Frame, Rear Tube, Right - White	1



Place the sticker on superior part of frame tube at approximately 45°



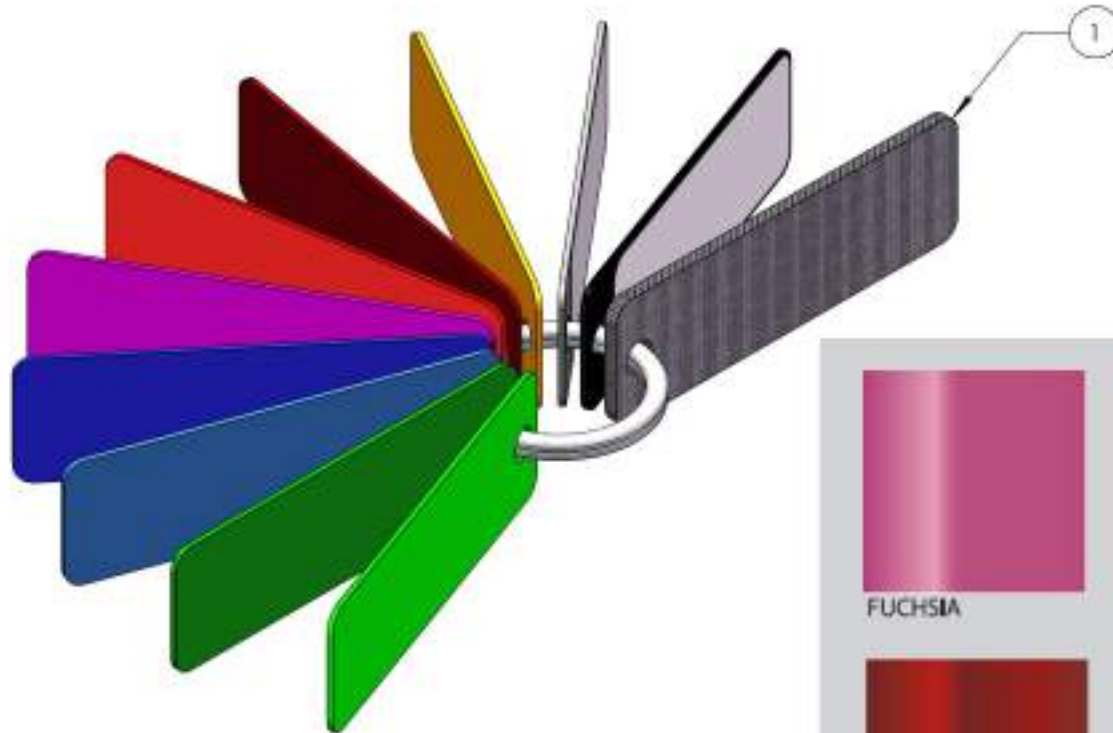
Aligned the grooves of the stickers with the crossbrace tab on frame



MAKE SURE TO HAVE YOUR SERIAL NUMBER NEARBY WHEN ORDERING PARTS FOR YOUR MOTION COMPOSITES WHEELCHAIR

**Color Options Catalogue**  
**Color Swatch**

ITEM NO.	PARTNO	DESCRIPTION	QTY
1	9001049	Color Swatch - All Colors, Key Ring Assembly	1



			
FUCHSIA	SUNKISSED ORANGE ORANGE TANGERINE	SAPPHIRE BLUE BLEU SAPHIRE	BLACK NOIR
			
BURGUNDY BOURGOGNE	ACID GREEN VERT ACIDE	STEEL BLUE BLEU ACIER	CARBON FINISH FINI CARBONE
			
FERRARI RED ROUGE FERRARI	MONSTER GREEN VERT MONSTRE	CHARCOAL ANTHRACITE	

MAKE SURE TO HAVE YOUR SERIAL NUMBER  
 NEARBY WHEN ORDERING PARTS FOR YOUR  
 MOTION COMPOSITES WHEELCHAIR



**Color Options Catalogue**  
**Color Touch-Up**

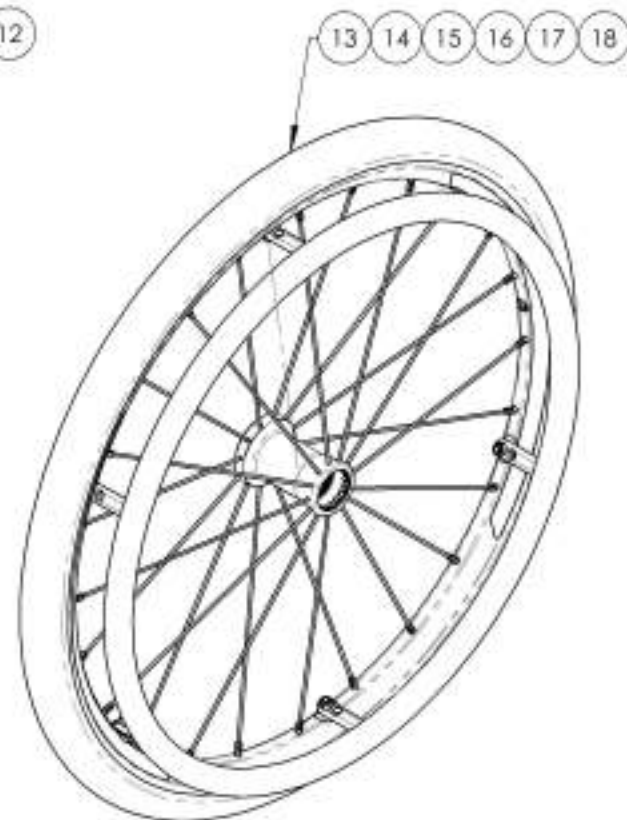
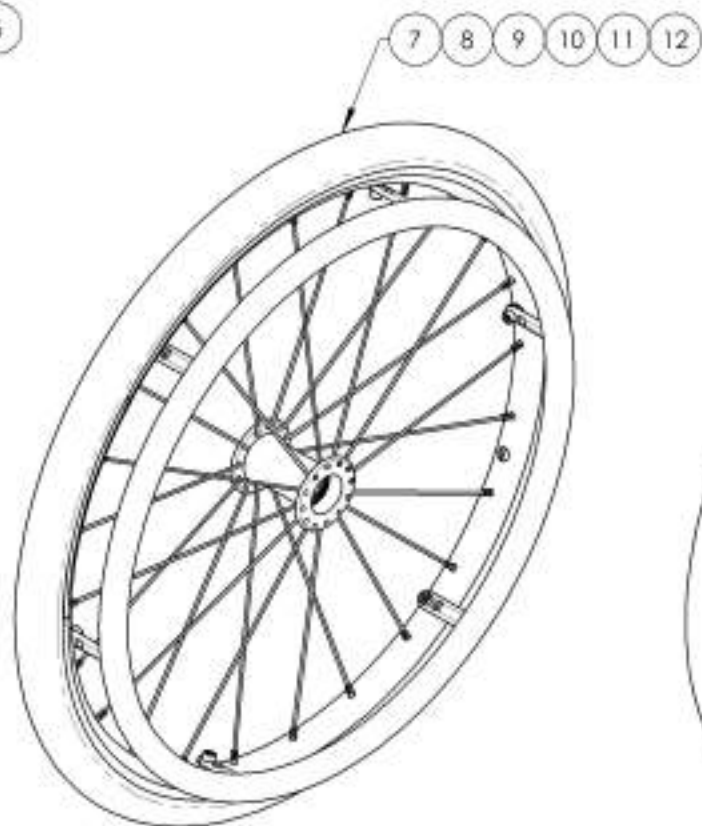
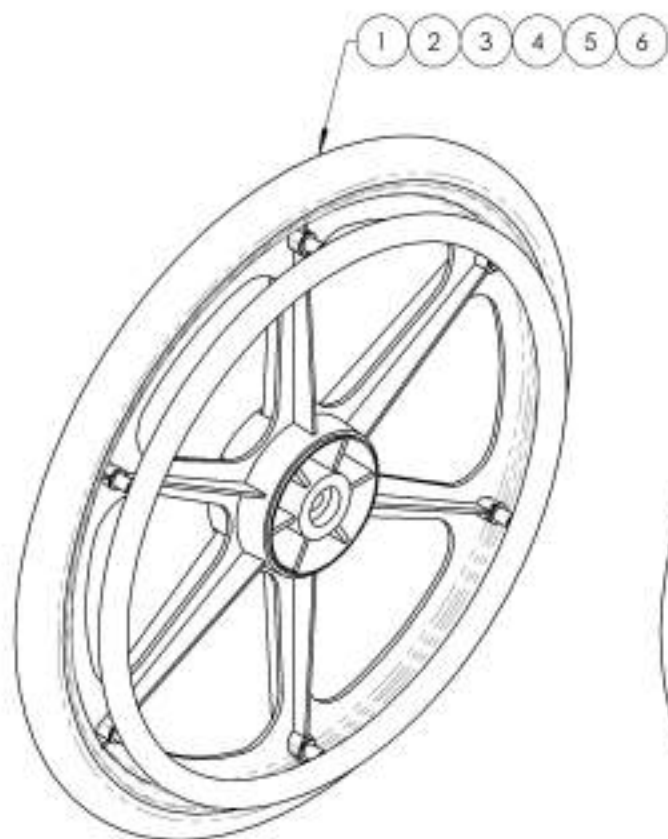
ITEM NO.	PARTNO	DESCRIPTION	QTY
1	9003033	Color Touch Up - Fuchsia	1
2	9003034	Color Touch Up - Burgundy	1
3	9003035	Color Touch Up - Ferrari Red	1
4	9003036	Color Touch Up - Sunkissed Orange	1
5	9003037	Color Touch Up - Acid Green	1
6	9003038	Color Touch Up - Monster Green	1
7	9003039	Color Touch Up - Sapphire Blue	1
8	9003040	Color Touch Up - Steel Blue	1
9	9003041	Color Touch Up - Charcoal	1
10	9003042	Color Touch Up - Black	1



MAKE SURE TO HAVE YOUR SERIAL NUMBER  
 NEARBY WHEN ORDERING PARTS FOR YOUR  
 MOTION COMPOSITES WHEELCHAIR

**Quick Order Catalogue**  
**Rear Wheel Assembly**

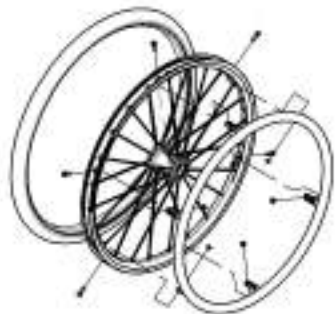
ITEM NO.	PARTNO	DESCRIPTION	QTY.
1	9002169	Rear Wheel - Mag + Soft Urethane Tire + Aluminium Handrim, 20 in	1
2	9002170	Rear Wheel - Mag + Soft Urethane Tire + Plastic Coated Handrim, 20 in	1
3	9002171	Rear Wheel - Mag + Soft Urethane Tire + Aluminium Handrim, 22 in	1
4	9002172	Rear Wheel - Mag + Soft Urethane Tire + Plastic Coated Handrim, 22 in	1
5	9002173	Rear Wheel - Mag + Soft Urethane Tire + Aluminium Handrim, 24 in	1
6	9002174	Rear Wheel - Mag + Soft Urethane Tire + Plastic Coated Handrim, 24 in	1
7	9002148	Rear Wheel - Newton One + Soft Urethane Tire + Aluminium Handrim, 20 in	1
8	9002149	Rear Wheel - Newton One + Soft Urethane Tire + Plastic Coated Handrim, 20 in	1
9	9002175	Rear Wheel - Newton One + Soft Urethane Tire + Aluminium Handrim, 22 in	1
10	9002176	Rear Wheel - Newton One + Soft Urethane Tire + Plastic Coated Handrim, 22 in	1
11	9002177	Rear Wheel - Newton One + Soft Urethane Tire + Aluminium Handrim, 24 in	1
12	9002178	Rear Wheel - Newton One + Soft Urethane Tire + Plastic Coated Handrim, 24 in	1
13	9002179	Rear Wheel - Newton Gravity + Soft Urethane Tire + Aluminium Handrim, 20 in	1
14	9002180	Rear Wheel - Newton Gravity + Soft Urethane Tire + Plastic Coated Handrim, 20 in	1
15	9002181	Rear Wheel - Newton Gravity + Soft Urethane Tire + Aluminium Handrim, 22 in	1
16	9002182	Rear Wheel - Newton Gravity + Soft Urethane Tire + Plastic Coated Handrim, 22 in	1
17	9002183	Rear Wheel - Newton Gravity + Soft Urethane Tire + Aluminium Handrim, 24 in	1
18	9002184	Rear Wheel - Newton Gravity + Soft Urethane Tire + Plastic Coated Handrim, 24 in	1



MAKE SURE TO HAVE YOUR SERIAL NUMBER  
 NEARBY WHEN ORDERING PARTS FOR YOUR  
 MOTION COMPOSITES WHEELCHAIR

**9002148\_9002149 & 9002169\_9002184**  
**Rear Wheel Assembly**

ITEM NO.	PARTNO	DESCRIPTION	9002169 /QTY.	9002170 /QTY.	9002171 /QTY.	9002172 /QTY.	9002173 /QTY.	9002174 /QTY.	9002148 /QTY.	9002149 /QTY.	9002175 /QTY.	9002176 /QTY.	9002177 /QTY.	9002178 /QTY.	9002179 /QTY.	9002180 /QTY.	9002181 /QTY.	9002182 /QTY.	9002183 /QTY.	9002184 /QTY.
1	21105	20" MAG WHEEL	1	1	-	-	-	-	-	-	-	-	-	-	-	-	-	-	-	-
2	21106	22" MAG WHEEL	-	-	1	1	-	-	-	-	-	-	-	-	-	-	-	-	-	-
3	21107	24" MAG WHEEL	-	-	-	-	1	1	-	-	-	-	-	-	-	-	-	-	-	-
4	21118	20 in NEWTON ONE WHEEL	-	-	-	-	-	-	1	1	-	-	-	-	-	-	-	-	-	-
5	21110	22 in NEWTON ONE WHEEL	-	-	-	-	-	-	-	-	1	1	-	-	-	-	-	-	-	-
6	21111	24 in NEWTON ONE WHEEL	-	-	-	-	-	-	-	-	-	-	1	1	-	-	-	-	-	-
7	21113	20" NEWTON GRAVITY WHEEL	-	-	-	-	-	-	-	-	-	-	-	-	1	1	-	-	-	-
8	21114	22" NEWTON GRAVITY WHEEL	-	-	-	-	-	-	-	-	-	-	-	-	-	-	1	1	-	-
9	21115	24" NEWTON GRAVITY WHEEL	-	-	-	-	-	-	-	-	-	-	-	-	-	-	-	-	1	1
10	21365	SOFT URETHANE TIRE 20 x 1 1/4in	1	1	-	-	-	-	1	1	-	-	-	-	1	1	-	-	-	-
11	21366	SOFT URETHANE TIRE 22 x 1 1/4in	-	-	1	1	-	-	-	-	1	1	-	-	-	-	1	1	-	-
12	21367	SOFT URETHANE TIRE 24 x 1 1/4in	-	-	-	-	1	1	-	-	-	-	1	1	-	-	-	-	1	1
13	21236	20" ALUMINUM ANODIZED HANDRM- MAG WHEEL	1	-	-	-	-	-	-	-	-	-	-	-	-	-	-	-	-	-
14	21205	22" ALUMINUM ANODIZED HANDRM- MAG WHEEL	-	-	1	-	-	-	-	-	-	-	-	-	-	-	-	-	-	-
15	21206	24" ALUMINUM ANODIZED HANDRM- MAG WHEEL	-	-	-	-	1	-	-	-	-	-	-	-	-	-	-	-	-	-
16	21237	20IN PLASTIC COATED HANDRM - MAG WHEEL	-	1	-	-	-	-	-	-	-	-	-	-	-	-	-	-	-	-
17	21207	22 IN PLASTIC COATED HANDRM - MAG WHEEL	-	-	-	1	-	-	-	-	-	-	-	-	-	-	-	-	-	-
18	21208	24 IN PLASTIC COATED HANDRM - MAG WHEEL	-	-	-	-	-	1	-	-	-	-	-	-	-	-	-	-	-	-
19	21200	20in ALUMINUM ANODIZED HANDRM	-	-	-	-	-	-	1	-	-	-	-	-	1	-	-	-	-	-
20	21201	22in ALUMINUM ANODIZED HANDRM	-	-	-	-	-	-	-	-	1	-	-	-	-	-	1	-	-	-
21	21202	24in ALUMINUM ANODIZED HANDRM	-	-	-	-	-	-	-	-	-	-	1	-	-	-	-	-	1	-
22	21210	20 in PLASTIC COATED HANDRM	-	-	-	-	-	-	-	1	-	-	-	-	-	1	-	-	-	-
23	21211	22 in PLASTIC COATED HANDRM	-	-	-	-	-	-	-	-	-	1	-	-	-	-	-	1	-	-
24	21212	24 in PLASTIC COATED HANDRM	-	-	-	-	-	-	-	-	-	-	-	1	-	-	-	-	-	1
25	99601	SPACER HANDRM MAG (set: 200 + 200 cent)	6	6	4	4	4	4	-	-	-	-	-	-	-	-	-	-	-	-
26	99013	SCREW PHILLIPS PAN HD #10_32 X 1_1_2 + BLUE THREADLOCKER	6	6	-	-	-	-	-	-	-	-	-	-	-	-	-	-	-	-
27	99564	FLAT WASHER MS FOUR HANDRM MAG	12	12	8	8	8	8	-	-	-	-	-	-	-	-	-	-	-	-
28	90989	M5 LOW NYLON LOCK	-	-	-	-	-	-	-	-	-	-	-	-	6	6	6	6	6	6
29	21500	REAR WHEEL LOCKNUT INSERT - ASSEMBLY	-	-	-	-	-	-	6	6	6	6	6	6	-	-	-	-	-	-
30	99015	SCREW PHILLIPS #10-32 X 2" HANDRM MAG + BLUE THREADLOCKER	-	-	4	4	4	4	-	-	-	-	-	-	-	-	-	-	-	-
31	90746	SOCKET CAP SCREW M5X0.8 X 15mm LONG, FULLY THREADED + BLUE TREADLOCKER - BLACK ZINC	-	-	-	-	-	-	6	6	6	6	6	6	-	-	-	-	-	-
32	90744	SOCKET CAP SCREW M5X0.8 X 12mm LONG, FULLY THREADED + BLUE TREADLOCKER - BLACK ZINC	-	-	-	-	-	-	-	-	-	-	-	-	6	6	6	6	6	6

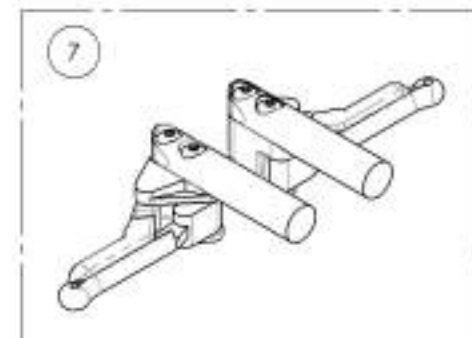
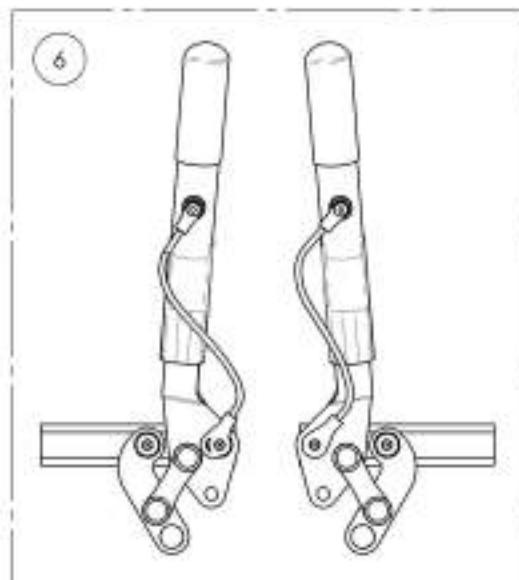
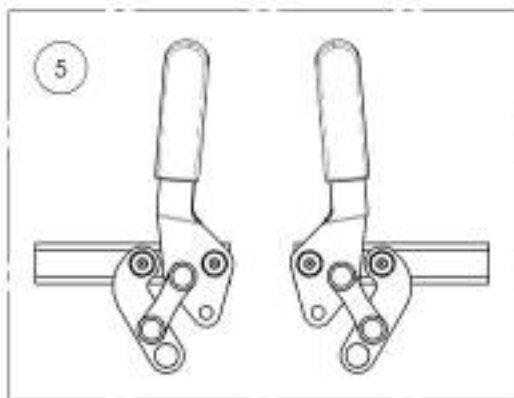
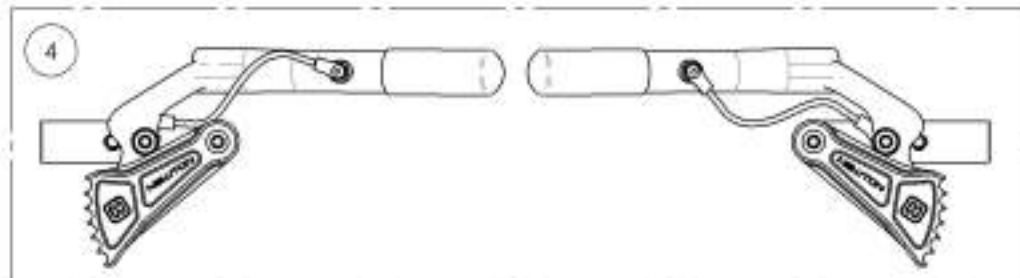
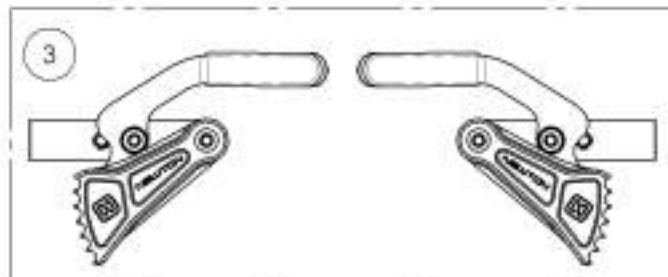
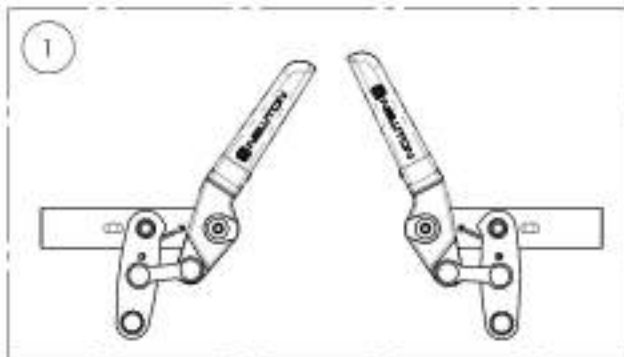


MAKE SURE TO HAVE YOUR SERIAL NUMBER NEARBY WHEN ORDERING PARTS FOR YOUR MOTION COMPOSITES WHEELCHAIR



**Quick Order Catalogue  
Wheel Lock Pair Assembly**

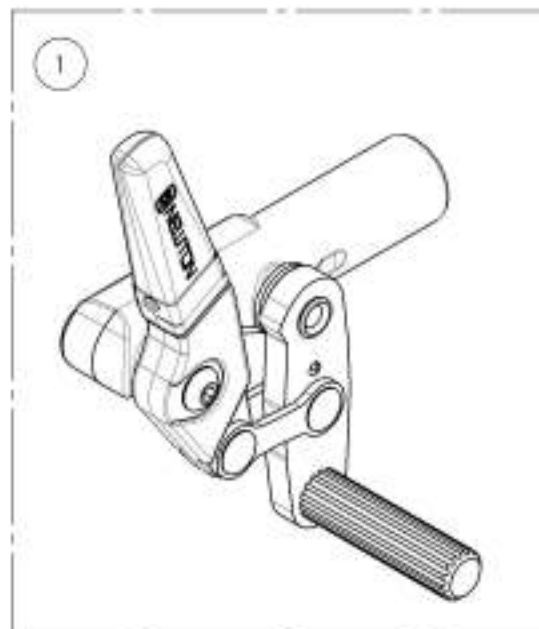
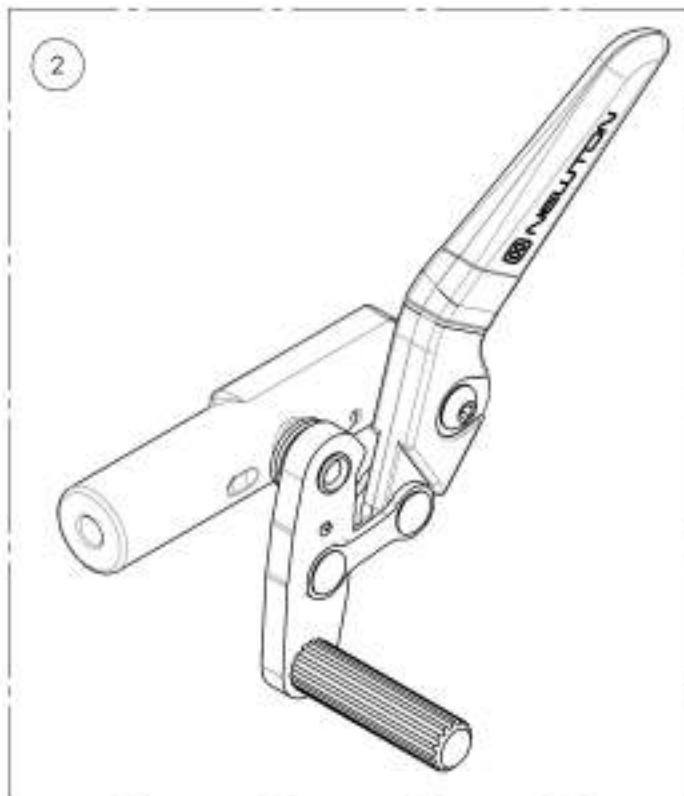
ITEM NO.	PARTNO	DESCRIPTION	QTY.
1	9003022	Wheel Lock - Newton Spring Loaded Push to Lock (Pair)	1
2	9003023	Wheel Lock - Newton Spring Loaded Push to Lock, 6 in Removable Extension Handle (Pair)	1
3	9002249	Wheel Lock - Newton Grade Aid, Push to Lock (Pair)	1
4	9003024	Wheel Lock - Newton Grade Aid, Push to Lock, 6 in Removable Extension Handle (Pair)	1
5	9001577	Wheel Lock - Pull to Lock (Pair)	1
6	9001579	Wheel Lock - Pull to Lock, 6 in Removable Extension Handle (Pair)	1
7	9002248	Wheel Lock - Scissor (Pair)	1



MAKE SURE TO HAVE YOUR SERIAL NUMBER  
NEARBY WHEN ORDERING PARTS FOR YOUR  
MOTION COMPOSITES WHEELCHAIR

**9003022**  
**Wheel Lock - Newton Spring Loaded Push to Lock (Pair)**

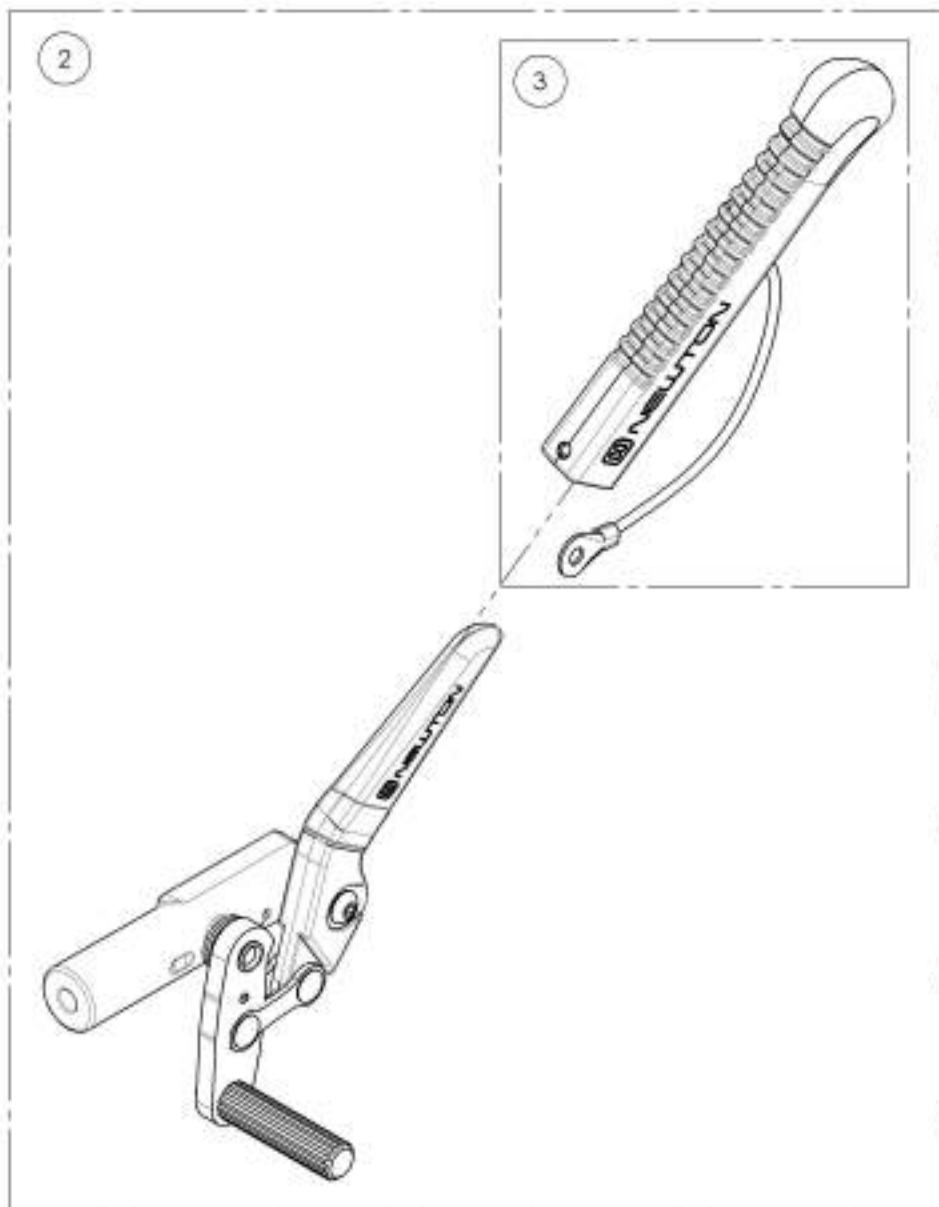
ITEM NO.	PARTNO	DESCRIPTION	9003022 QTY.
1	41056	NEWTON PUSH SPRING WHEEL LOCK, LEFT - ASSY	1
2	41057	NEWTON PUSH SPRING WHEEL LOCK, RIGHT - ASSY	1



MAKE SURE TO HAVE YOUR SERIAL NUMBER  
NEARBY WHEN ORDERING PARTS FOR YOUR  
MOTION COMPOSITES WHEELCHAIR

**9003023**  
**Wheel Lock - Newton Spring Loaded Push to Lock,**  
**6 in Removable Extension Handle (Pair)**

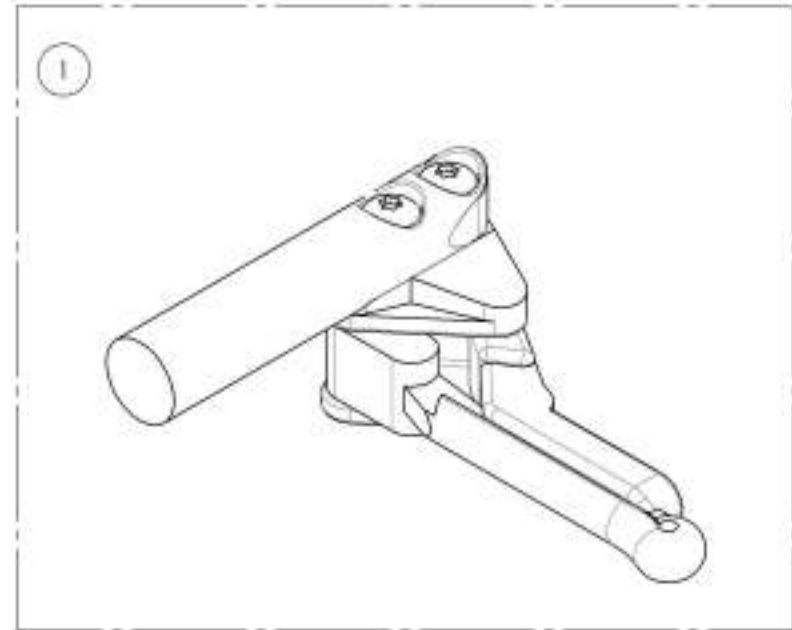
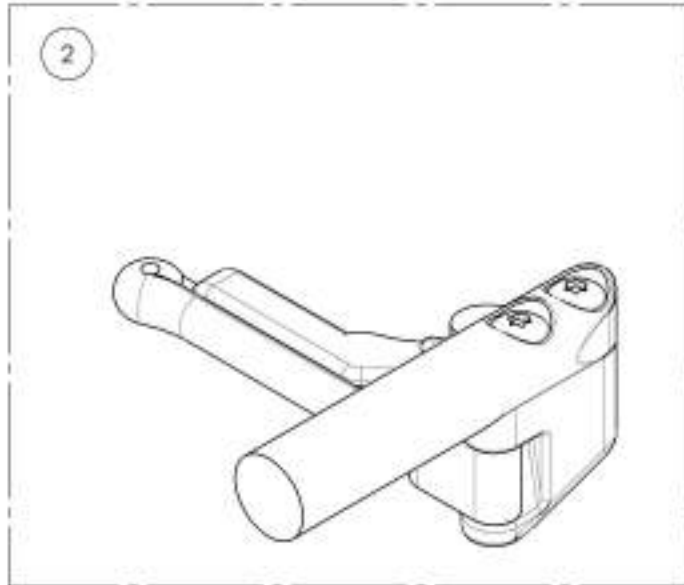
ITEM NO.	PARTNO	DESCRIPTION	9003023 /QTY.	REPLACEMENT PARTS/QTY.
1	41051	NEWTON PUSH SPRING WHEEL LOCK + EXTENSION, LEFT - ASSY	1	-
2	41052	NEWTON PUSH SPRING WHEEL LOCK + EXTENSION, RIGHT - ASSY	1	-
3	41500	NEWTON REMOVABLE EXTENSION HANDLE - ASSEMBLY	-	1



MAKE SURE TO HAVE YOUR SERIAL NUMBER  
 NEARBY WHEN ORDERING PARTS FOR YOUR  
 MOTION COMPOSITES WHEELCHAIR

**9002268**  
**Wheel Lock - Scissor (Pair)**

ITEM NO.	PART NO.	DESCRIPTION	9002268 QTY.
1	41 038	OUT-FRONT SCISSOR WHEEL LOCK, LEFT	1
2	41 039	OUT-FRONT SCISSOR WHEEL LOCK, RIGHT	1

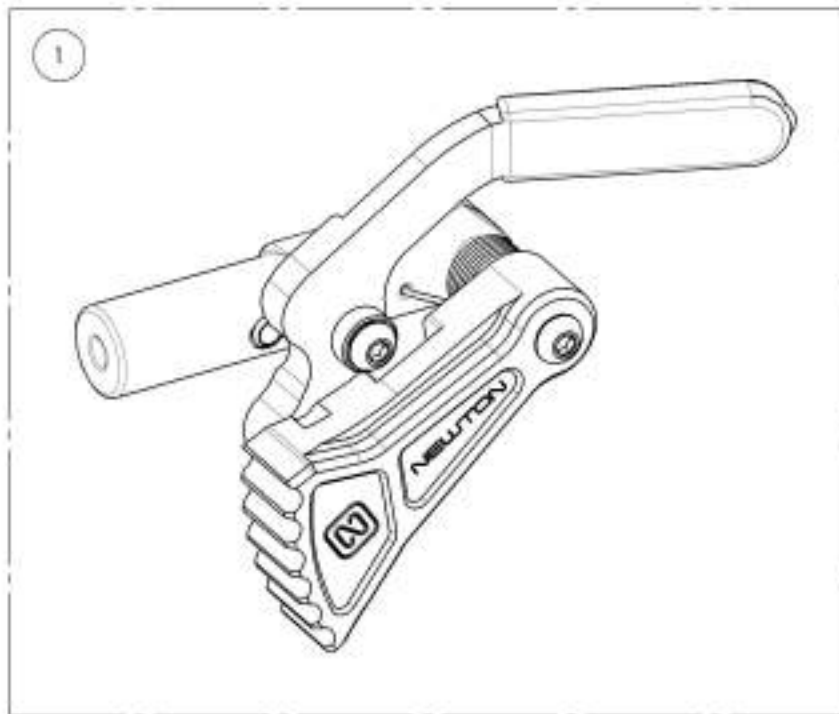


MAKE SURE TO HAVE YOUR SERIAL NUMBER  
NEARBY WHEN ORDERING PARTS FOR YOUR  
MOTION COMPOSITES WHEELCHAIR

9002269

Wheel Lock - Newton Grade Aid, Push to Lock (Pair)

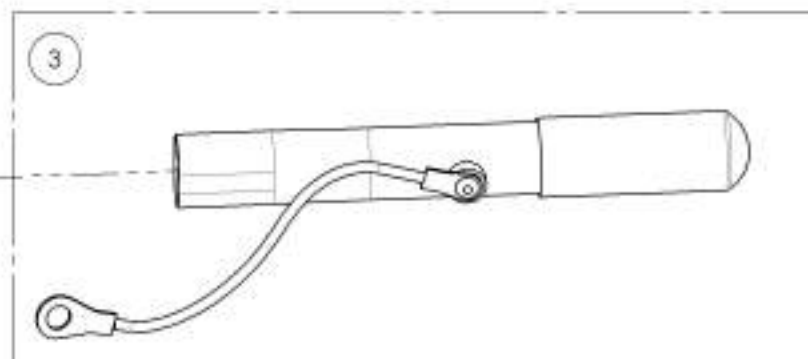
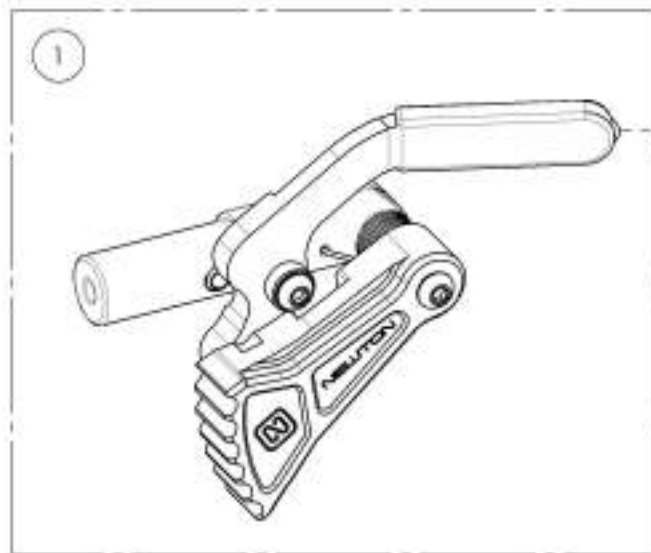
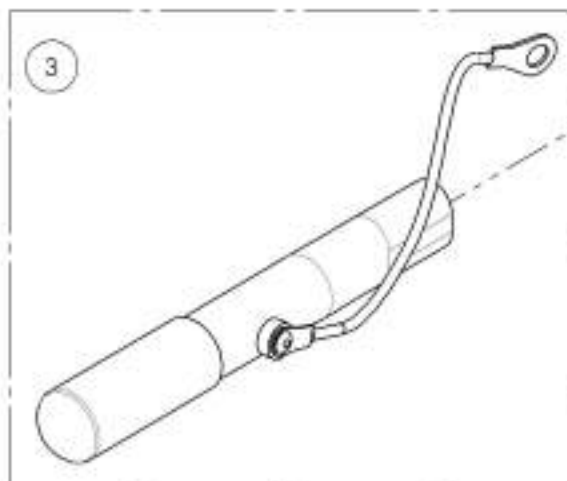
ITEM NO.	PARTNO	DESCRIPTION	9002269 QTY.
1	41035	GRADE AID WHEEL LOCK, RIGHT - ASSY	1
2	41036	GRADE AID WHEEL LOCK, LEFT - ASSY	1



MAKE SURE TO HAVE YOUR SERIAL NUMBER  
NEARBY WHEN ORDERING PARTS FOR YOUR  
MOTION COMPOSITES WHEELCHAIR

**9003024**  
**Wheel Lock - Newton Grade Aid, Push to Lock, 6 in Removable Extension Handle (Pair)**

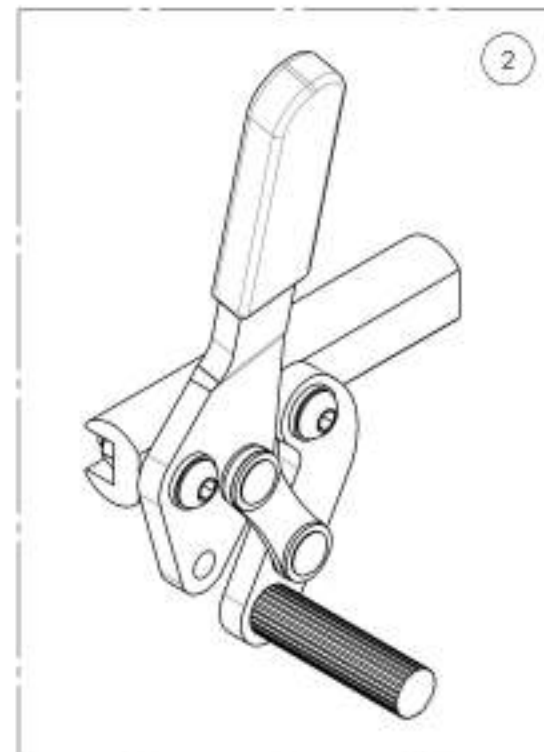
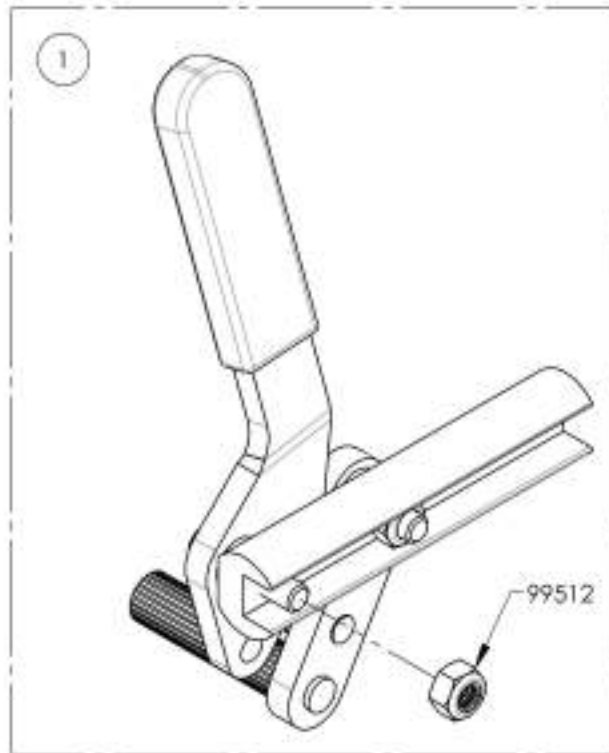
ITEM NO.	PARTNO	DESCRIPTION	9003024 QTY.
1	41035	GRADE AID WHEEL LOCK, RIGHT - ASSY	1
2	41036	GRADE AID WHEEL LOCK, LEFT - ASSY	1
3	41005	REMOVABLE EXTENSION HANDLE	2



MAKE SURE TO HAVE YOUR SERIAL NUMBER  
NEARBY WHEN ORDERING PARTS FOR YOUR  
MOTION COMPOSITES WHEELCHAIR

**9001577**  
**Wheel Lock - Pull to Lock (Pair)**

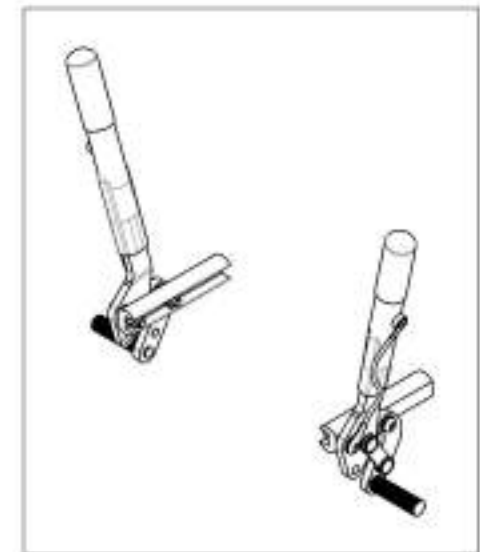
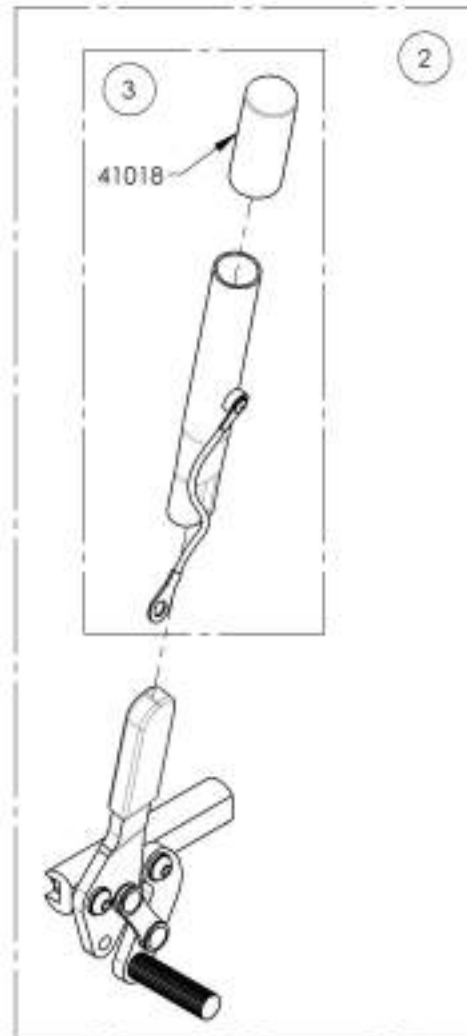
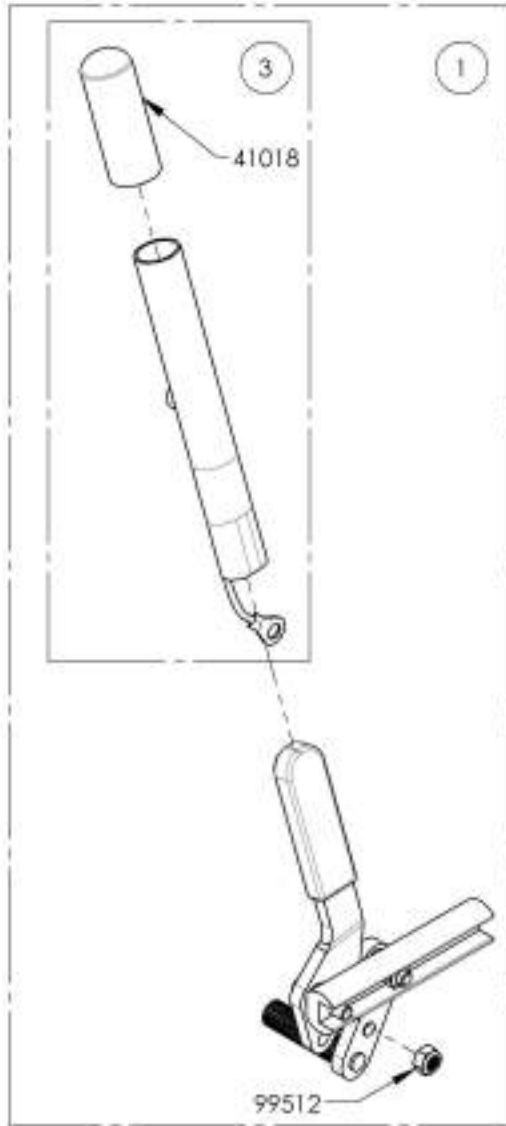
ITEM NO.	PARTNO	DESCRIPTION	9001577 QTY.
1	41078	PULL TO LOCK WHEEL LOCK, RIGHT	1
2	41079	PULL TO LOCK WHEEL LOCK, LEFT	1



MAKE SURE TO HAVE YOUR SERIAL NUMBER  
NEARBY WHEN ORDERING PARTS FOR YOUR  
MOTION COMPOSITES WHEELCHAIR

**9001579****Wheel Lock - Pull to Lock, 6 in Removable Extension Handle (Pair)**

ITEM NO.	PARTNO	DESCRIPTION	9001579 /QTY.	REPLACEMENT PARTS/QTY.
1	41080	PULL TO LOCK WHEEL LOCK + HANDLE, RIGHT	1	-
2	41081	PULL TO LOCK WHEEL LOCK + HANDLE, LEFT	1	-
3	41005	REMOVABLE EXTENSION HANDLE	-	1

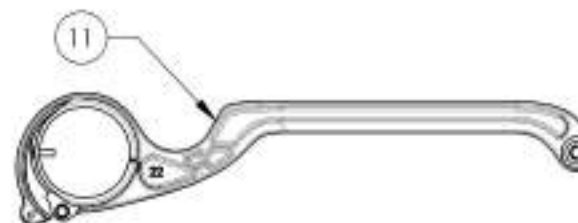
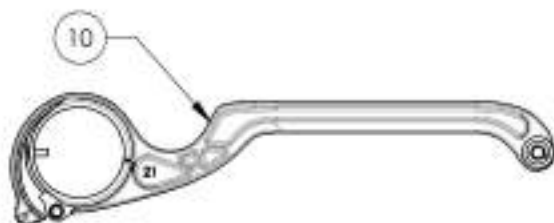
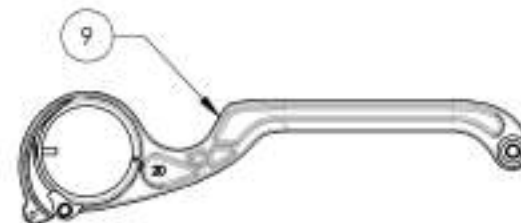
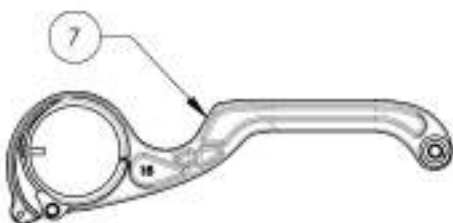
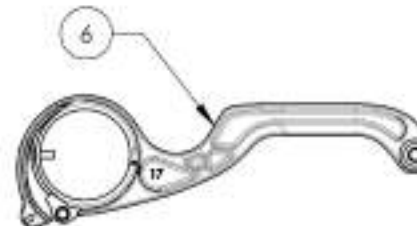
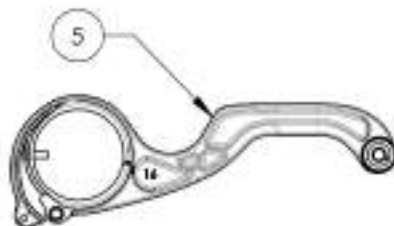
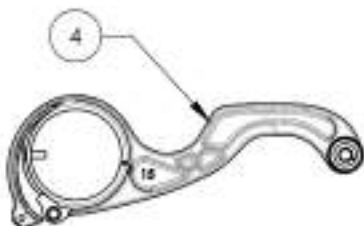
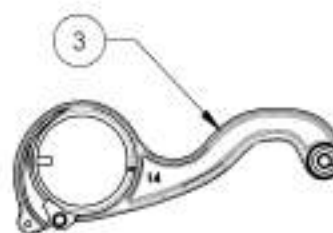
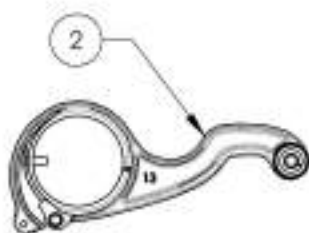
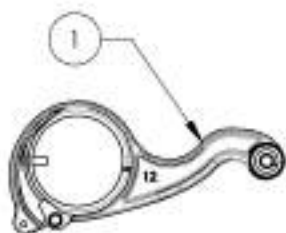


MAKE SURE TO HAVE YOUR SERIAL NUMBER  
NEARBY WHEN ORDERING PARTS FOR YOUR  
MOTION COMPOSITES WHEELCHAIR



**Quick Order Catalogue  
Link & Hardware**

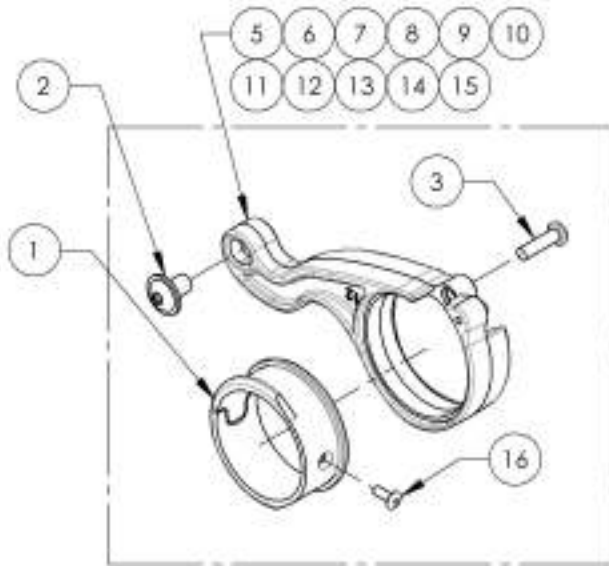
ITEM NO.	PART NO.	DESCRIPTION	QTY.
1	9002150	Link - 12 in + Hardware	1
2	9002151	Link - 13 in + Hardware	1
3	9002152	Link - 14 in + Hardware	1
4	9002153	Link - 15 in + Hardware	1
5	9002154	Link - 16 in + Hardware	1
6	9002155	Link - 17 in + Hardware	1
7	9002156	Link - 18 in + Hardware	1
8	9002157	Link - 19 in + Hardware	1
9	9002158	Link - 20 in + Hardware	1
10	9002159	Link - 21 in + Hardware	1
11	9002160	Link - 22 in + Hardware	1



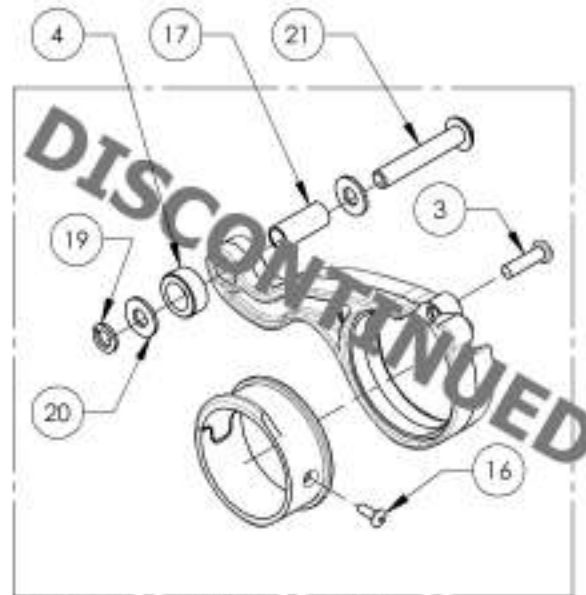
MAKE SURE TO HAVE YOUR SERIAL NUMBER  
NEARBY WHEN ORDERING PARTS FOR YOUR  
MOTION COMPOSITES WHEELCHAIR

**9002150\_9002160**  
**Link + Hardware**

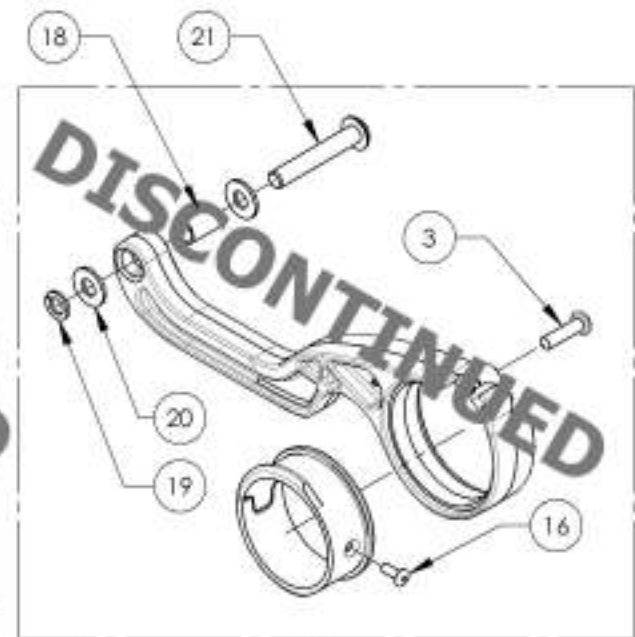
ITEM NO.	PARTNO	DESCRIPTION	9002150 /QTY.	9002151 /QTY.	9002152 /QTY.	9002153 /QTY.	9002154 /QTY.	9002155 /QTY.	9002156 /QTY.	9002157 /QTY.	9002158 /QTY.	9002159 /QTY.	9002160 /QTY.
1	12140	LINK GUIDE	1	1	1	1	1	1	1	1	1	1	1
2	91009	FLANGE BUTION HEAD CAP SCREW, MSX.8 X 8mm	1	1	1	1	1	1	1	1	1	1	1
3	99000	SCREW PHILLIPS PAN HD #6-32 X 1/2.	1	1	1	1	1	1	1	1	1	1	1
4	22028	CASTER SPACER SMALL	1	1	1	1	1	-	-	-	-	-	-
5	12152	12in A7_C2 LINK	1	-	-	-	-	-	-	-	-	-	-
6	12153	13in A7_C2 LINK	-	1	-	-	-	-	-	-	-	-	-
7	12154	14in A7_C2 LINK	-	-	1	-	-	-	-	-	-	-	-
8	12155	15in A7_C2 LINK	-	-	-	1	-	-	-	-	-	-	-
9	12156	16in A7_C2 LINK	-	-	-	-	1	-	-	-	-	-	-
10	12157	17in A7_C2 LINK	-	-	-	-	-	1	-	-	-	-	-
11	12158	18in A7_C2 LINK	-	-	-	-	-	-	1	-	-	-	-
12	12159	19in A7_C2 LINK	-	-	-	-	-	-	-	1	-	-	-
13	12160	20in A7_C2 LINK	-	-	-	-	-	-	-	-	1	-	-
14	12161	21in A7_C2 LINK	-	-	-	-	-	-	-	-	-	1	-
15	12162	22in A7_C2 LINK	-	-	-	-	-	-	-	-	-	-	1
16	99660	POP RIVET 3_32 D X .365 L X .126_250	1	1	1	1	1	1	1	1	1	1	1
17	99605	SPACER M5 BOLT, 16MM LG, 0.7MM WALL THK	1	1	1	1	1	-	-	-	-	-	-
18	99600	SPACER M5 BOLT, 10MM LG, 0.7MM WALL THK	-	-	-	-	-	1	1	1	1	1	1
19	99598	LOCKWASHER #10 (.062 WIDE X .047 THK)	1	1	1	1	1	1	1	1	1	1	1
20	99550	WASHER #10 .200 ID X .7_16 OD X .037 THK - BLACK ZINC	2	2	2	2	2	2	2	2	2	2	2
21	90651	BUTTON HEAD CAP SCREW M5X0.8 X 30mm LONG, FULLY THREADED	1	1	1	1	1	1	1	1	1	1	1



**ACTUAL ASSEMBLY**



**PREVIOUS ASSEMBLY (12" TO 16")**

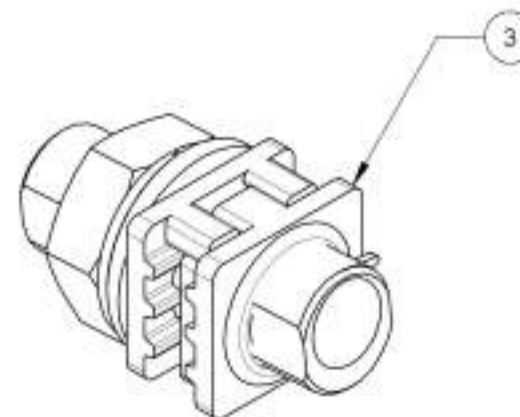
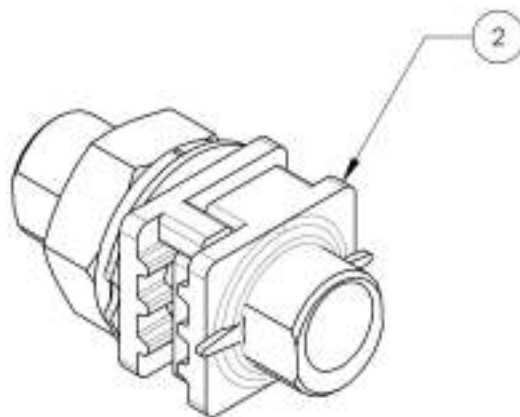
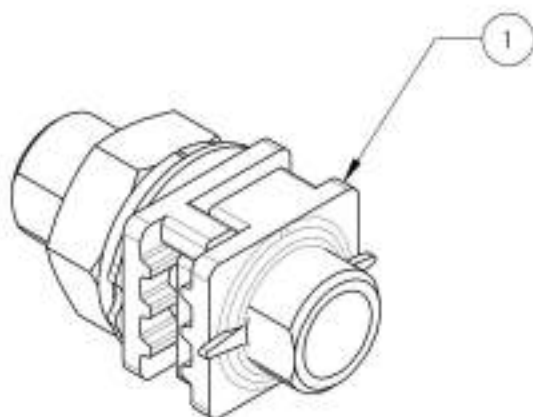


**PREVIOUS ASSEMBLY (17" TO 22")**

MAKE SURE TO HAVE YOUR SERIAL NUMBER  
 NEARBY WHEN ORDERING PARTS FOR YOUR  
 MOTION COMPOSITES WHEELCHAIR

**Quick Order Catalogue**  
**Rear Bushing Assembly**

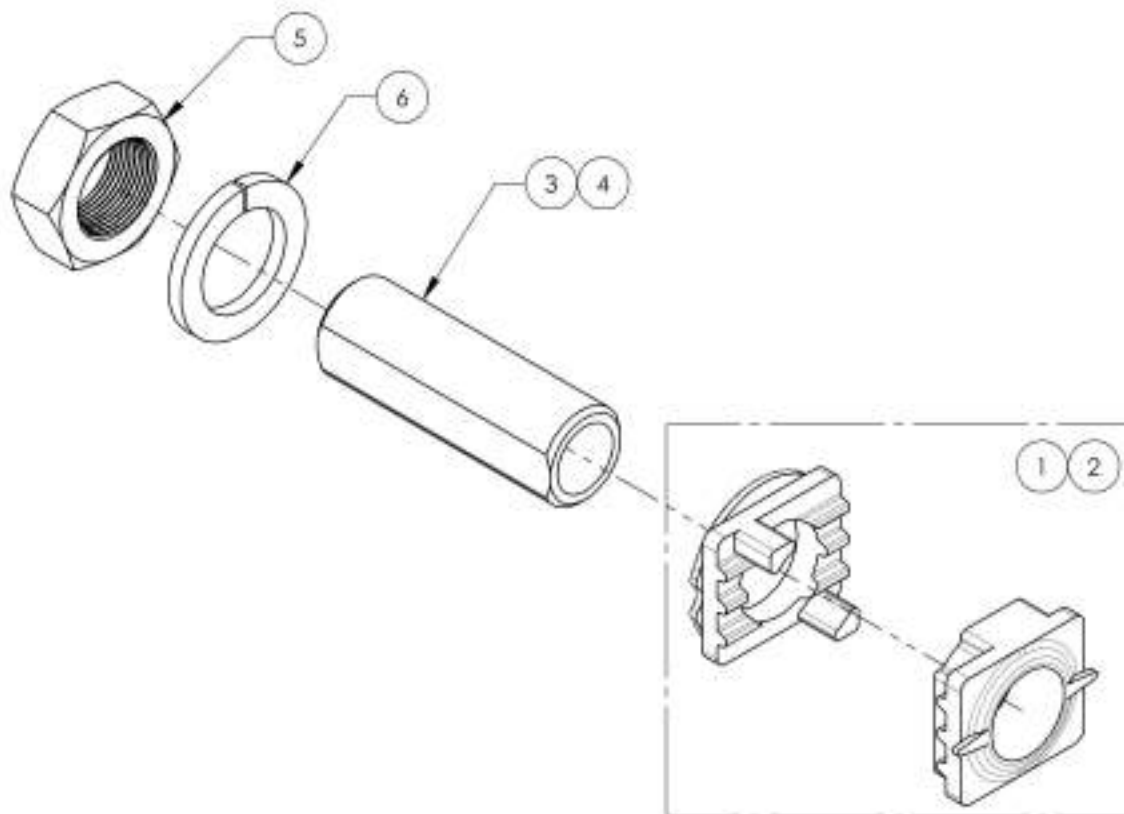
ITEM NO.	PARTNO	DESCRIPTION	QTY.
1	9002441	Rear Wheel - 0" Axle Bushing V2B + Hardware	1
2	9002442	Rear Wheel - 3" Axle Bushing V2B + Hardware	1
3	9002443	Rear Wheel - 6" Axle Bushing V2B + Hardware	1



MAKE SURE TO HAVE YOUR SERIAL NUMBER  
NEARBY WHEN ORDERING PARTS FOR YOUR  
MOTION COMPOSITES WHEELCHAIR

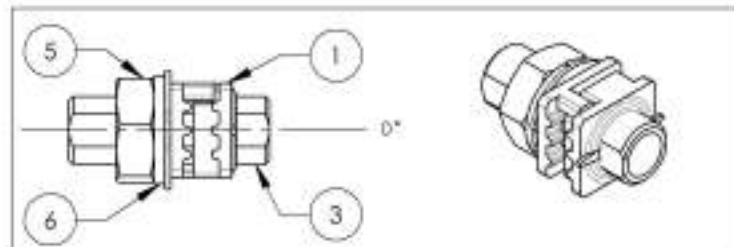
**9002441\_9002443**

**Rear Wheel - Axle Bushing V2B + Hardware**

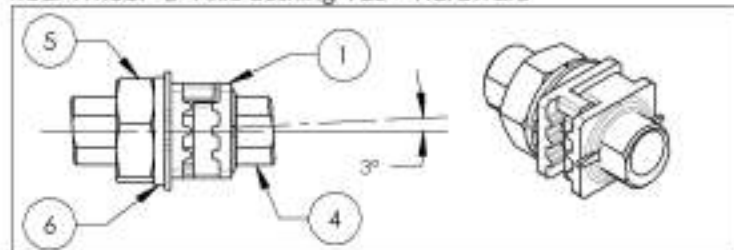


ITEM NO.	PART NO	DESCRIPTION	9002441 /QTY.	9002442 /QTY.	9002143 /QTY.
1	21514	V2B 0° POSITIONING NUT AND FACE PLATE ASSEMBLY	1	1	-
2	21513	V2B 3° POSITIONING NUT AND FACE PLATE ASSEMBLY	-	-	1
3	21041	0° BUSHING M18x1	1	-	-
4	21042	3° BUSHING M18x1	-	1	1
5	91031	JAM NUT M18 x 1.0	1	1	1
6	99597	LOCK WASHER M18	1	1	1

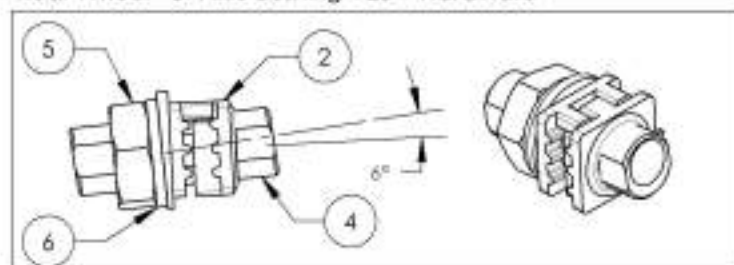
9002441  
Rear Wheel - 0° Axle Bushing V2B + Hardware



9002442  
Rear Wheel - 3° Axle Bushing V2B + Hardware

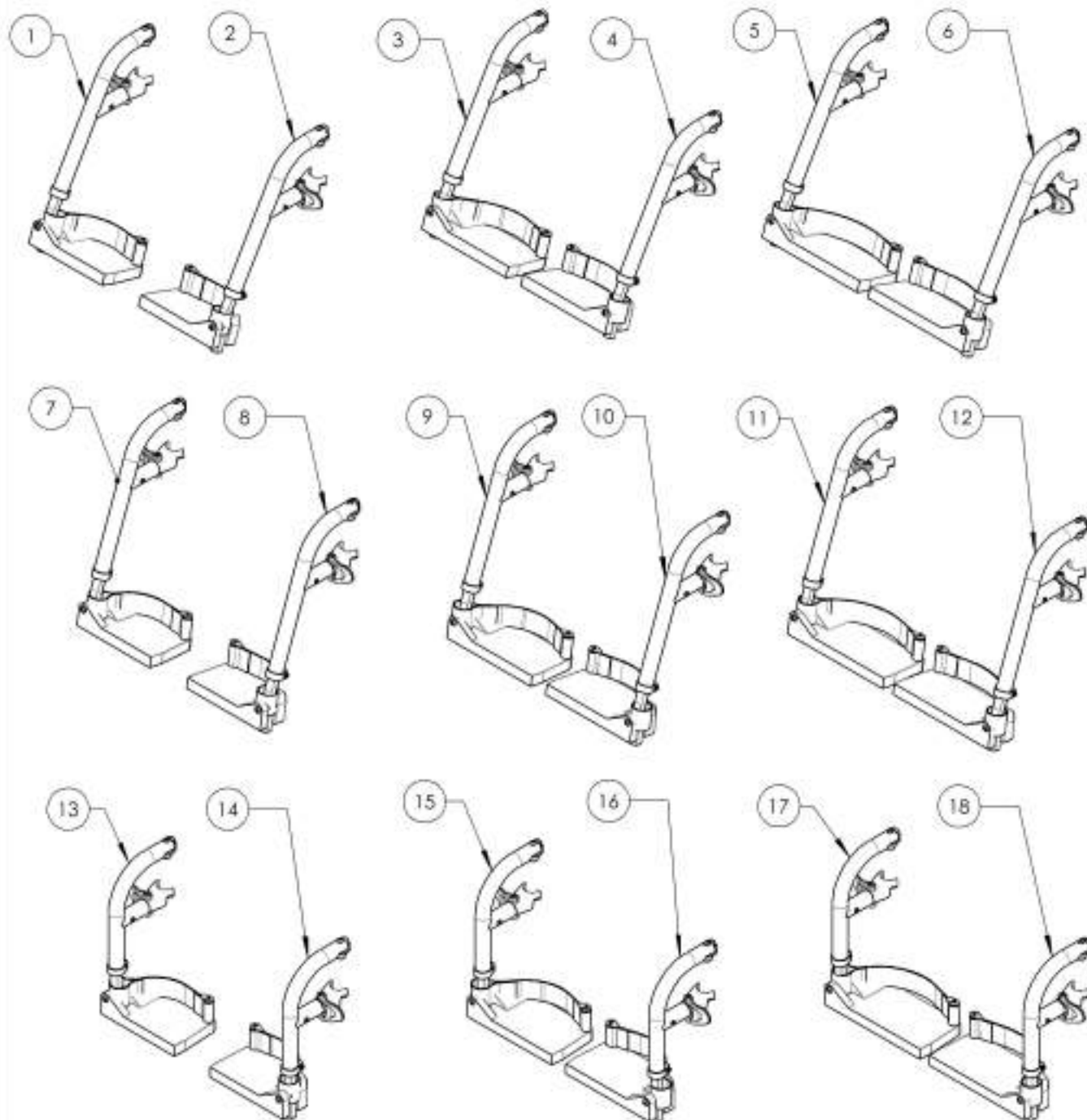


9002443  
Rear Wheel - 6° Axle Bushing V2B + Hardware



MAKE SURE TO HAVE YOUR SERIAL NUMBER  
NEARBY WHEN ORDERING PARTS FOR YOUR  
MOTION COMPOSITES WHEELCHAIR

**Quick Order Catalogue**  
**Footrest - Swing-In/Out + Short Ext. & Footplate**

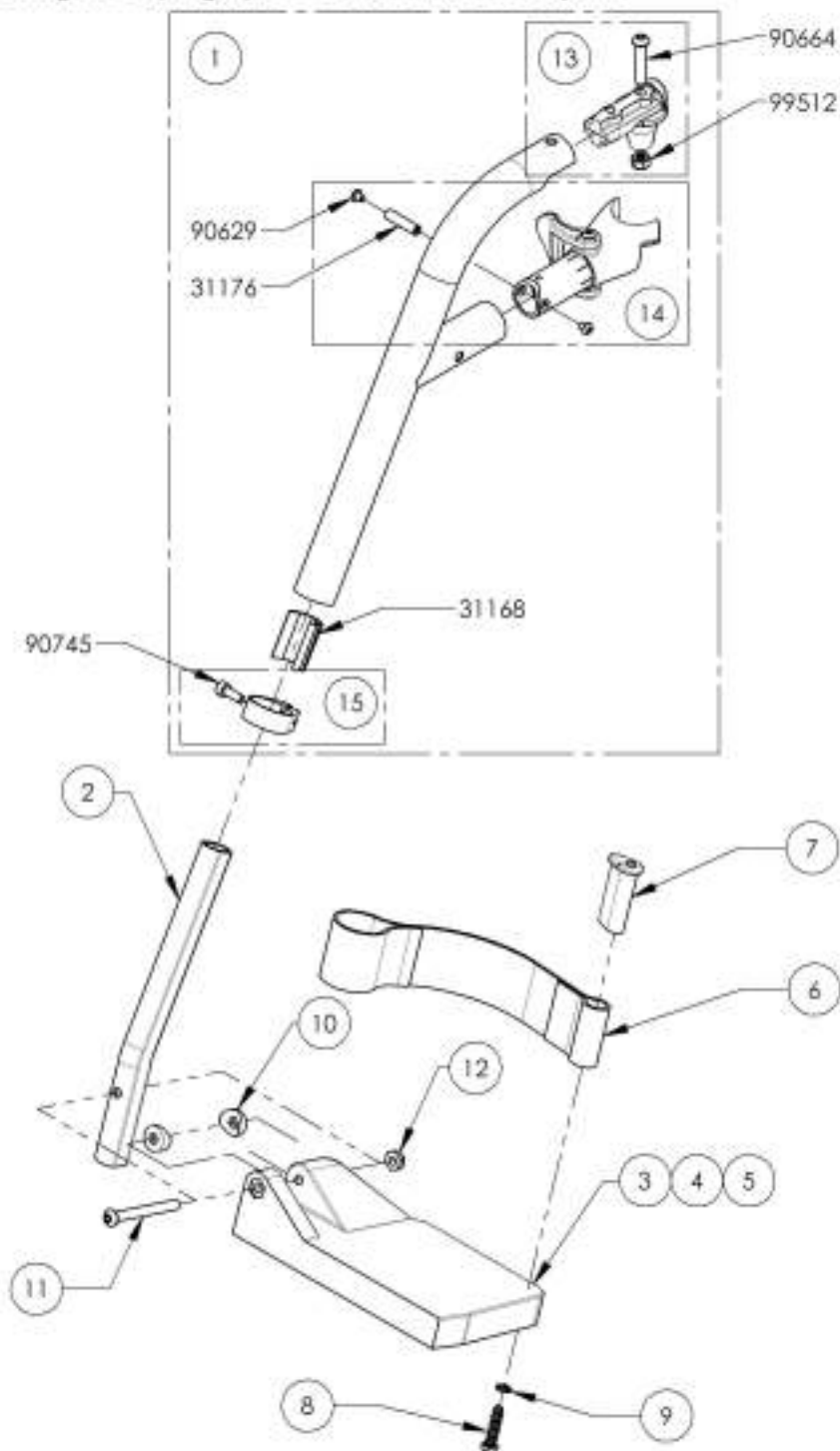


ITEM NO.	PARTNO	DESCRIPTION	QTY
1	9007860	Footrest - Swing-In/Out, Right, 60° + Short Ext. & Footplate (Width: 14 to 16 in)	1
2	9007863	Footrest - Swing-In/Out, Left, 60° + Short Ext. & Footplate (Width: 14 to 16 in)	1
3	9007861	Footrest - Swing-In/Out, Right, 60° + Short Ext. & Footplate (Width: 17 to 18 in)	1
4	9007864	Footrest - Swing-In/Out, Left, 60° + Short Ext. & Footplate (Width: 17 to 18 in)	1
5	9007862	Footrest - Swing-In/Out, Right, 60° + Short Ext. & Footplate (Width: 19 in +)	1
6	9007865	Footrest - Swing-In/Out, Left, 60° + Short Ext. & Footplate (Width: 19 in +)	1
7	9007866	Footrest - Swing-In/Out, Right, 70° + Short Ext. & Footplate (Width: 14 to 16 in)	1
8	9007869	Footrest - Swing-In/Out, Left, 70° + Short Ext. & Footplate (Width: 14 to 16 in)	1
9	9007867	Footrest - Swing-In/Out, Right, 70° + Short Ext. & Footplate (Width: 17 to 18 in)	1
10	9007870	Footrest - Swing-In/Out, Left, 70° + Short Ext. & Footplate (Width: 17 to 18 in)	1
11	9007868	Footrest - Swing-In/Out, Right, 70° + Short Ext. & Footplate (Width: 19 in +)	1
12	9007871	Footrest - Swing-In/Out, Left, 70° + Short Ext. & Footplate (Width: 19 in +)	1
13	9002470	Footrest - Swing-In/Out, Right, 90° + Short Ext. & Footplate (Width: 14 to 16 in)	1
14	9002473	Footrest - Swing-In/Out, Left, 90° + Short Ext. & Footplate (Width: 14 to 16 in)	1
15	9002471	Footrest - Swing-In/Out, Right, 90° + Short Ext. & Footplate (Width: 17 to 18 in)	1
16	9002474	Footrest - Swing-In/Out, Left, 90° + Short Ext. & Footplate (Width: 17 to 18 in)	1
17	9002472	Footrest - Swing-In/Out, Right, 90° + Short Ext. & Footplate (Width: 19 in +)	1
18	9002475	Footrest - Swing-In/Out, Left, 90° + Short Ext. & Footplate (Width: 19 in +)	1

MAKE SURE TO HAVE YOUR SERIAL NUMBER NEARBY WHEN ORDERING PARTS FOR YOUR MOTION COMPOSITES WHEELCHAIR

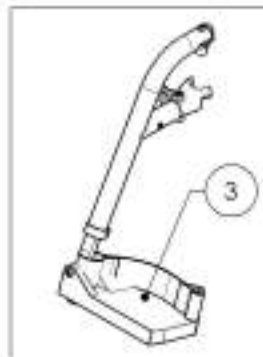
**9007860 9007862**

**Footrest - Swing-In/Out, Right, 60° + Short Ext. & Footplate**



ITEM NO.	PARTNO	DESCRIPTION	9007860 /QTY.	9007861 /QTY.	9007862 /QTY.	REPLACEMENT PARTS/QTY.
1	31543	V2 60 DEG LEGREST, RIGHT - ASSEMBLY	1	1	1	-
2	31154	V2 FOOTREST SHORT EXTENSION	1	1	1	-
3	31275	COMPOSITE FOOTPLATE 6 x 4 in, RIGHT (WHEELCHAIR WIDTH: 14-16 in)	1	-	-	-
4	31277	COMPOSITE FOOTPLATE 7 x 4 in, RIGHT (WHEELCHAIR WIDTH: 17-18 in)	-	1	-	-
5	31279	COMPOSITE FOOTPLATE 8 x 4 in, RIGHT (WHEELCHAIR WIDTH: 19 in +)	-	-	1	-
6	31045	ADJUSTABLE HEEL LOOP	1	1	1	-
7	31014	HEEL LOOP PIN (M)	1	1	1	-
8	91004	LOW PROFIL CAP SCREW M6 X 2.54 X 25mm	1	1	1	-
9	99559	COLLAR LOCKWASHER 1_4	1	1	1	-
10	31062	CONED WASHER 1_4 x 3_4	2	2	2	-
11	90670	BUTTON HEAD CAP SCREW M6X1 X 58mm LONG, 24mm THREADED	1	1	1	-
12	99510	THIN HEX LOCKNUT 1/4-20	1	1	1	-
13	31551	V2 FOOTREST PIVOT - ASSEMBLY	-	-	-	1
14	31550	V2 FOOTREST HOUSING RIGHT - ASSEMBLY	-	-	-	1
15	31552	SSv3 EXTENSION CLAMP, RIGHT - ASSEMBLY	-	-	-	1

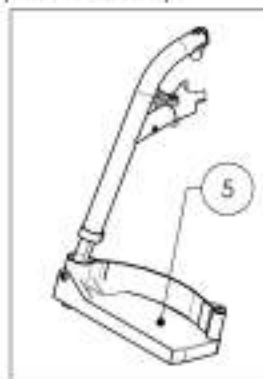
9007860 -  
Footrest - Swing-In/Out, Right,  
60° + Short Ext. & Footplate  
(Width: 14 to 16 in)



9007861 -  
Footrest - Swing-In/Out, Right,  
60° + Short Ext. & Footplate  
(Width: 17 to 18 in)



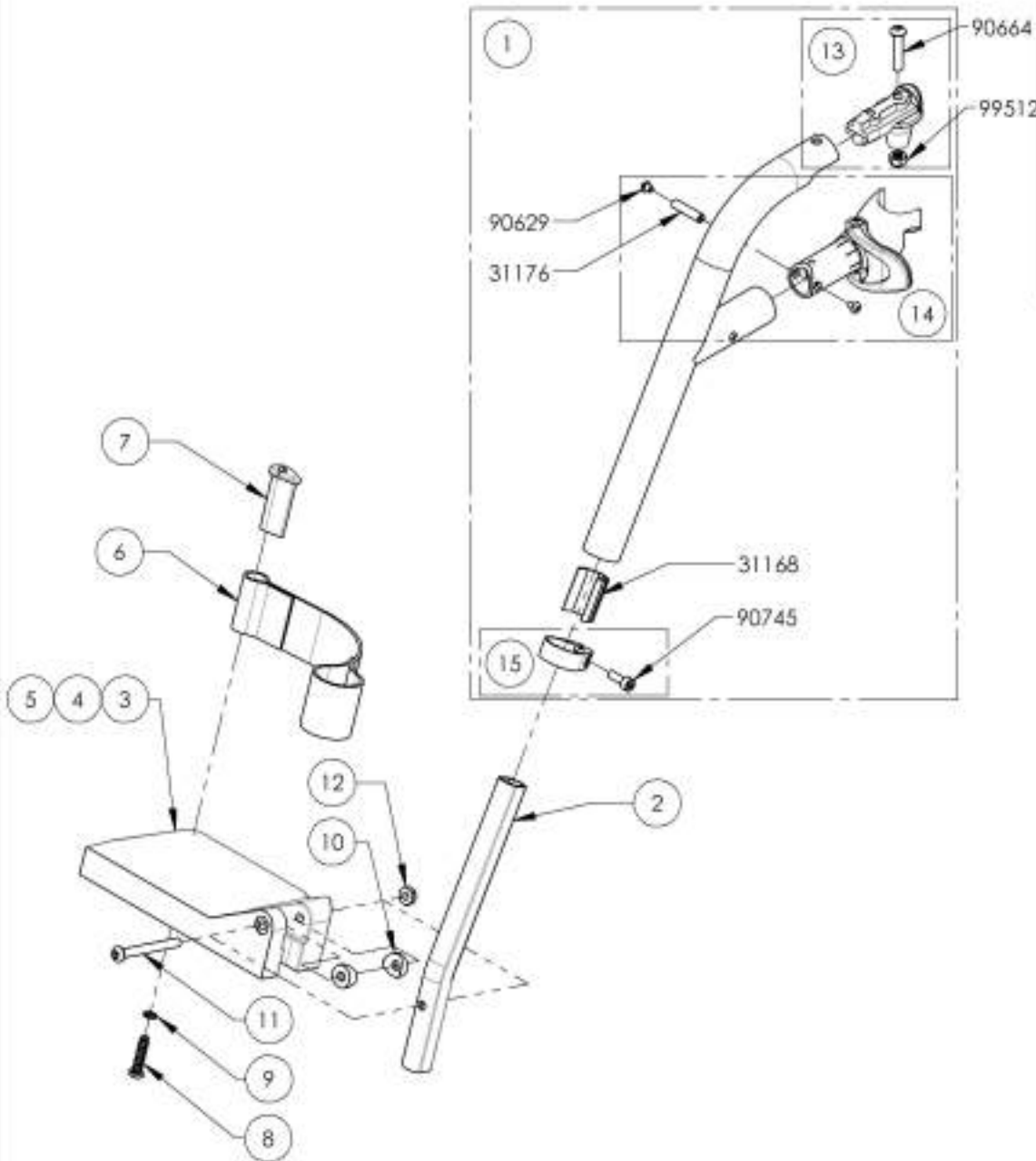
9007862 -  
Footrest - Swing-In/Out, Right,  
60° + Short Ext. & Footplate  
(Width: 19 in +)



MAKE SURE TO HAVE YOUR SERIAL NUMBER NEARBY WHEN ORDERING PARTS FOR YOUR MOTION COMPOSITES WHEELCHAIR

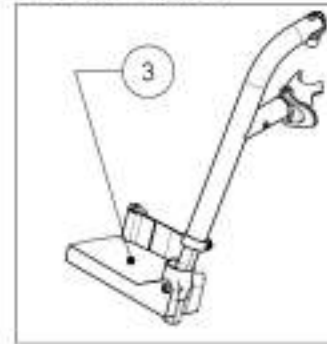
**9007863\_9007865**

**Footrest - Swing-In/Out, Left, 60° + Short Ext. & Footplate**

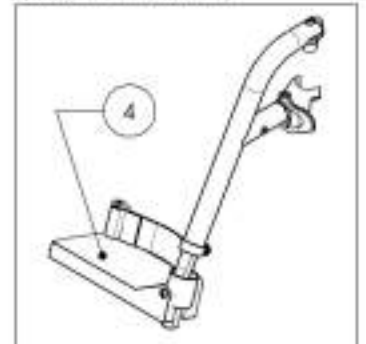


ITEM NO.	PARTNO	DESCRIPTION	9007863 /QTY.	9007864 /QTY.	9007865 /QTY.	REPLACEMENT PARTS/QTY.
1	31544	V2 60 DEG LEGREST. LEFT - ASSEMBLY	1	1	1	-
2	31154	V2 FOOTREST SHORT EXTENSION	1	1	1	-
3	31276	COMPOSITE FOOTPLATE 6 x 4 in, LEFT (WHEELCHAIR WIDTH: 14 -16 in)	1	-	-	-
4	31278	COMPOSITE FOOTPLATE 7 x 4 in, LEFT (WHEELCHAIR WIDTH: 17-18 in)	-	1	-	-
5	31280	COMPOSITE FOOTPLATE 8 x 4 in, LEFT (WHEELCHAIR WIDTH: 19 in +)	-	-	1	-
6	31045	ADJUSTABLE HEEL LOOP	1	1	1	-
7	31016	HEEL LOOP PIN (M)	1	1	1	-
8	91024	LOW PROFIL CAP SCREW M6 X 2.54 X 25mm	1	1	1	-
9	99559	COLLAR LOCKWASHER 1_4	1	1	1	-
10	31062	CONED WASHER 1_4 x 3_4	2	2	2	-
11	90670	BUTTON HEAD CAP SCREW MAX1 X 58mm LONG, 24mm THREADED	1	1	1	-
12	99510	THIN HEX LOCKNUT 1/4-20	1	1	1	-
13	31561	V2 FOOTREST PIVOT - ASSEMBLY	-	-	-	1
14	31549	V2 FOOTREST HOUSING LEFT - ASSEMBLY	-	-	-	1
15	31553	V2 FOOTREST EXTENSION LEFT CLAMP - ASSEMBLY	-	-	-	1

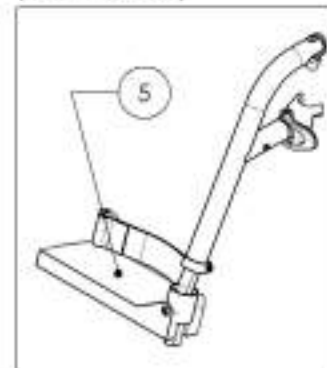
9007863 -  
Footrest - Swing-In/Out, Left,  
60° + Short Ext. & Footplate  
(Width: 14 to 16 in)



9007864 -  
Footrest - Swing-In/Out, Left,  
60° + Short Ext. & Footplate  
(Width: 17 to 18 in)



9007865 -  
Footrest - Swing-In/Out, Left,  
60° + Short Ext. & Footplate  
(Width: 19 in +)



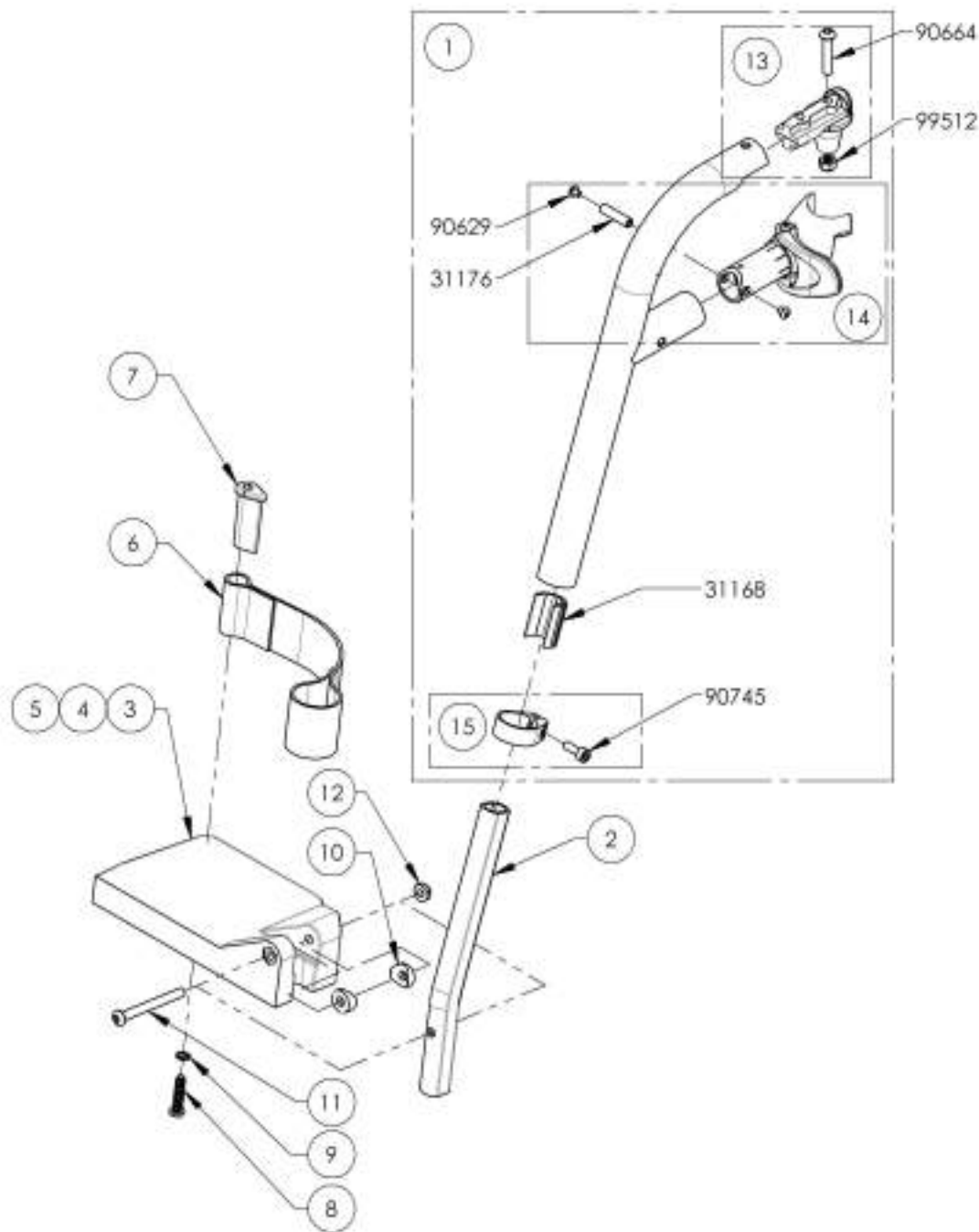
MAKE SURE TO HAVE YOUR SERIAL NUMBER  
NEARBY WHEN ORDERING PARTS FOR YOUR  
MOTION COMPOSITES WHEELCHAIR





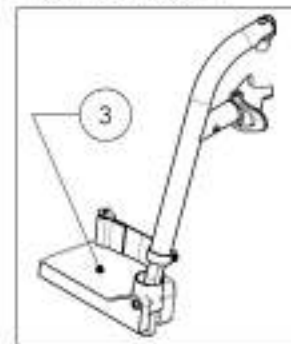
**9007869\_9007871**

**Footrest - Swing-In/Out, Left, 70° + Short Ext. & Footplate**

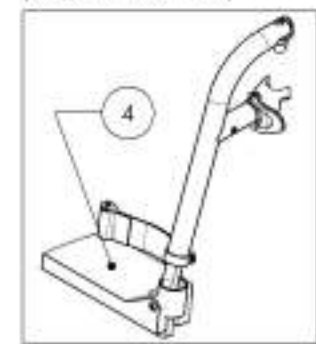


ITEM NO.	PARTNO	DESCRIPTION	9007869 /QTY.	9007870 /QTY.	9007871 /QTY.	REPLACEMENT PARTS/QTY.
1	31546	V2 70 DEG LEGREST, LEFT - ASSEMBLY	1	1	1	-
2	31154	V2 FOOTREST SHORT EXTENSION	1	1	1	-
3	31276	COMPOSITE FOOTPLATE 6 x 4 in, LEFT (WHEELCHAIR WIDTH: 14-16 in)	1	-	-	-
4	31278	COMPOSITE FOOTPLATE 7 x 4 in, LEFT (WHEELCHAIR WIDTH: 17-18 in)	-	1	-	-
5	31280	COMPOSITE FOOTPLATE 8 x 4 in, LEFT (WHEELCHAIR WIDTH: 19 in +)	-	-	1	-
6	31045	ADJUSTABLE HEEL LOOP	1	1	1	-
7	31016	HEEL LOOP PIN (M)	1	1	1	-
8	91024	LOW PROFIL CAP SCREW M6 X 2,54 X 25mm	1	1	1	-
9	99559	COLLAR LOCKWASHER 1/4	1	1	1	-
10	31052	COVED WASHER 1/4 x 3/4	2	2	2	-
11	90670	BUTTON HEAD CAP SCREW M6X1 X 58mm LONG, 24mm THREADED	1	1	1	-
12	99510	THIN HEX LOCKNUT 1/4-20	1	1	1	-
13	31551	V2 FOOTREST PIVOT - ASSEMBLY	-	-	-	1
14	31549	V2 FOOTREST HOUSING LEFT - ASSEMBLY	-	-	-	1
15	31553	V2 FOOTREST EXTENSION LEFT CLAMP - ASSEMBLY	-	-	-	1

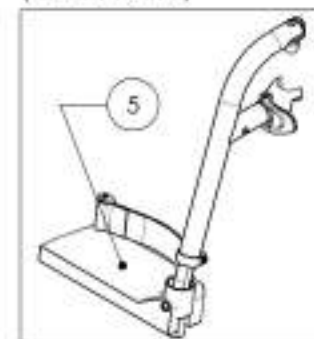
**9007869**  
Footrest - Swing-In/Out, Left, 70° + Short Ext. & Footplate (Width: 14 to 16 in)



**9007870**  
Footrest - Swing-In/Out, Left, 70° + Short Ext. & Footplate (Width: 17 to 18 in)



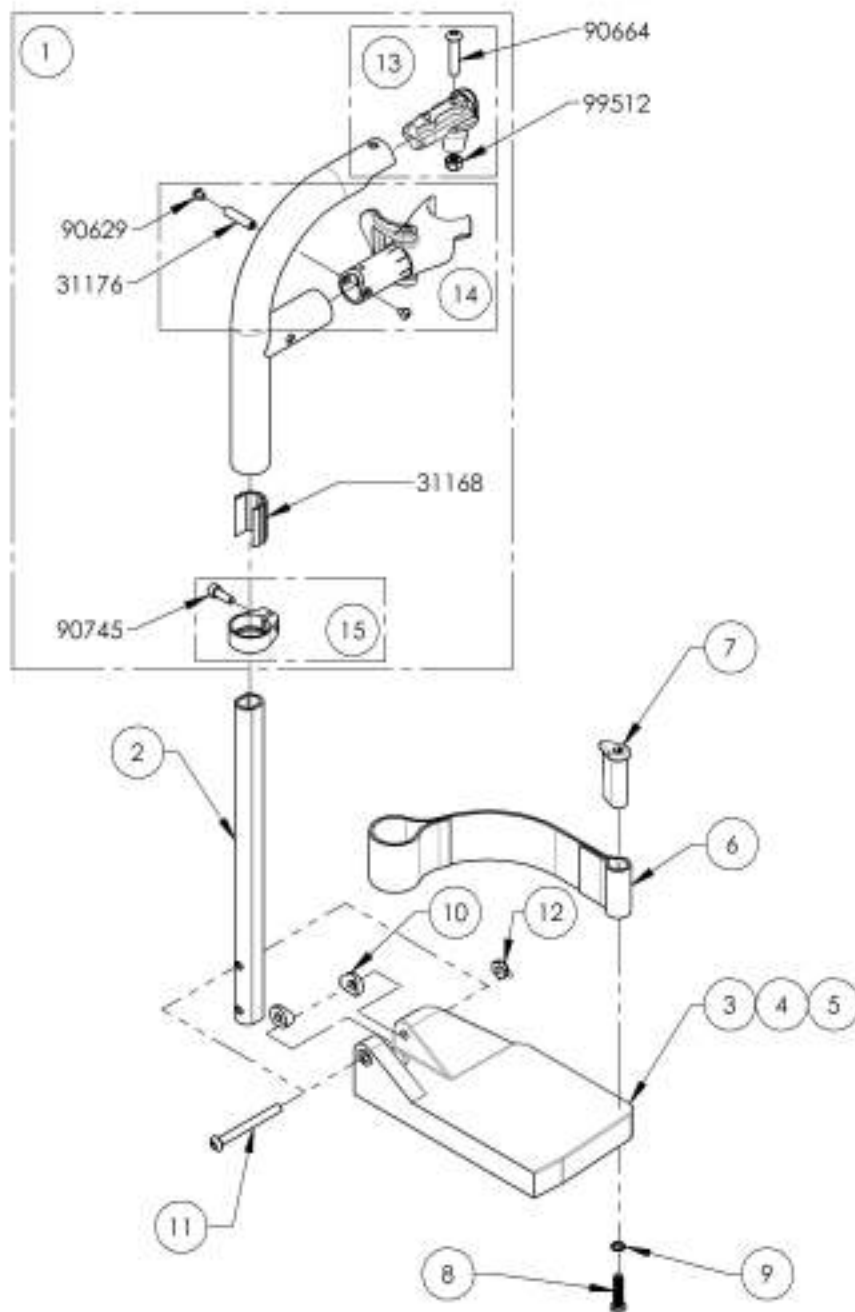
**9007871**  
Footrest - Swing-In/Out, Left, 70° + Short Ext. & Footplate (Width: 19 in +)



MAKE SURE TO HAVE YOUR SERIAL NUMBER NEARBY WHEN ORDERING PARTS FOR YOUR MOTION COMPOSITES WHEELCHAIR

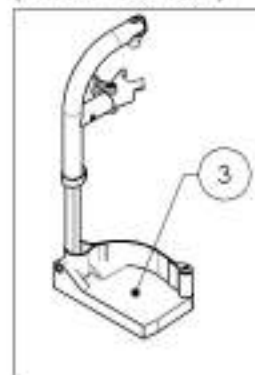
**9007872\_9007874**

**Footrest - Swing-In/Out, Right, 90° + Long Ext. & Footplate**

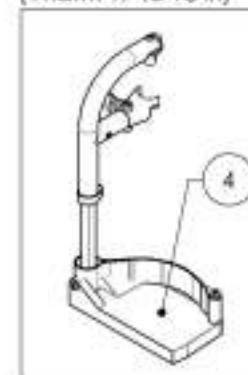


ITEM NO.	PARTNO	DESCRIPTION	9007872 /QTY.	9007873 /QTY.	9007874 /QTY.	REPLACEMENT PARTS/QTY.
1	31547	V2 90 DEG LEGREST, RIGHT - ASSEMBLY	1	1	1	-
2	31209	V2 FOOTREST 90° LONG EXTENSION	1	1	1	-
3	31275	COMPOSITE FOOTPLATE 6 x 4 in, RIGHT (WHEELCHAIR WIDTH: 14-16 in)	1	-	-	-
4	31277	COMPOSITE FOOTPLATE 7 x 4 in, RIGHT (WHEELCHAIR WIDTH: 17-18 in)	-	1	-	-
5	31279	COMPOSITE FOOTPLATE 8 x 4 in, RIGHT (WHEELCHAIR WIDTH: 19 in +)	-	-	1	-
6	31045	ADJUSTABLE HEEL LOOP	1	1	1	-
7	31016	HEEL LOOP PIN (M)	1	1	1	-
8	91024	LOW PROF. CAP SCREW M4 X 2.54 X 25mm	1	1	1	-
9	99559	COLLAR LOCKWASHER 1_4	1	1	1	-
10	31052	COVED WASHER 1_4 x 3_4	2	2	2	-
11	90670	BUTTON-HEAD CAP SCREW MAX 1 X .58mm LONG, 24mm THREADED	1	1	1	-
12	99510	THIN HEX LOCKNUT 1/4-20	1	1	1	-
13	31551	V2 FOOTREST PIVOT - ASSEMBLY	-	-	-	1
14	31550	V2 FOOTREST HOUSING RIGHT - ASSEMBLY	-	-	-	1
15	31552	SSV3 EXTENSION CLAMP, RIGHT - ASSEMBLY	-	-	-	1

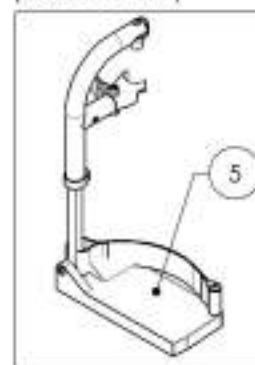
**9007872**  
Footrest - Swing-In/Out, Right,  
90° + Long Ext. & Footplate  
(Width: 14 to 16 in)



**9007873**  
Footrest - Swing-In/Out, Right,  
90° + Long Ext. & Footplate  
(Width: 17 to 18 in)



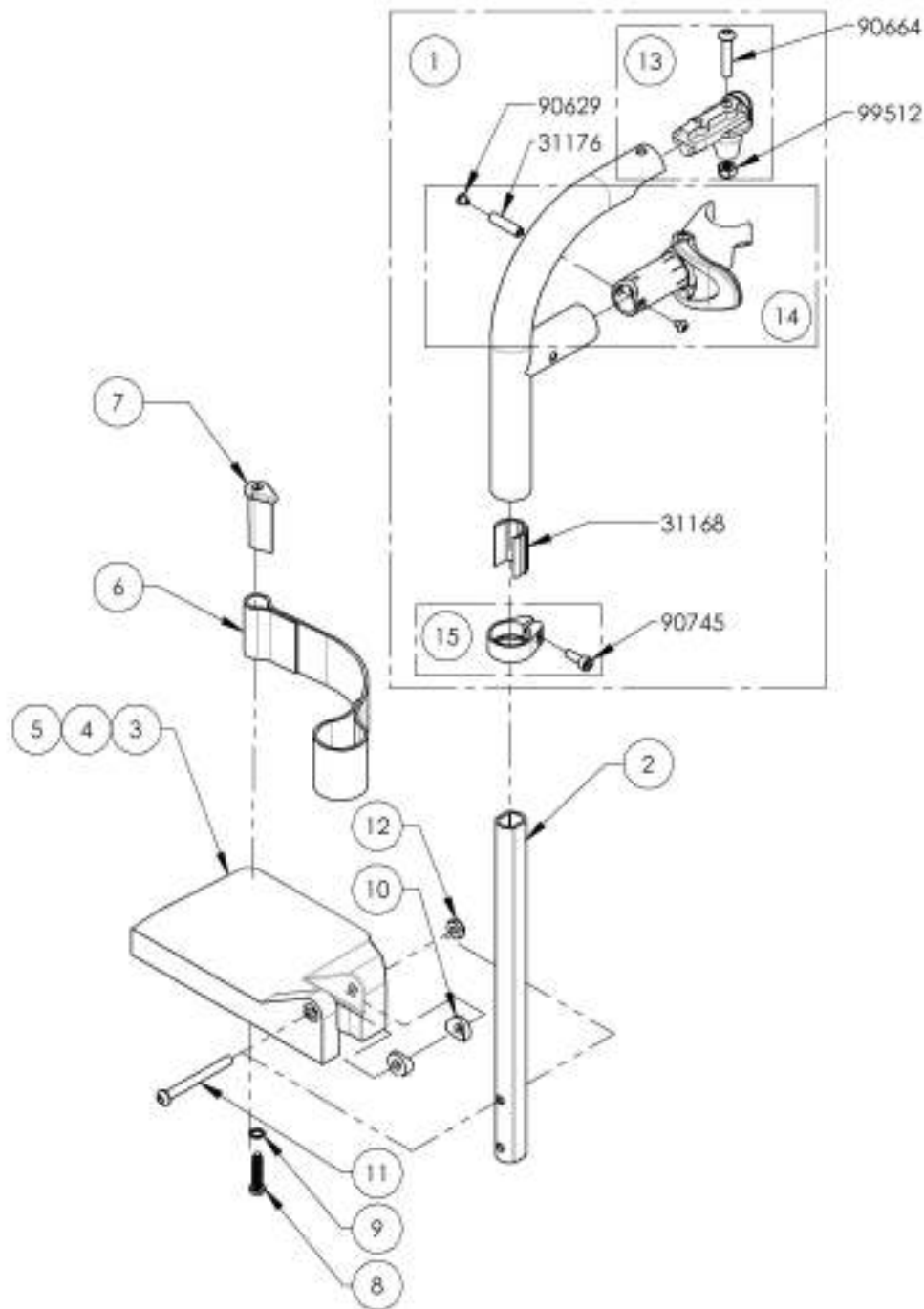
**9007874**  
Footrest - Swing-In/Out, Right,  
90° + Long Ext. & Footplate  
(Width: 19 in +)



MAKE SURE TO HAVE YOUR SERIAL NUMBER  
NEARBY WHEN ORDERING PARTS FOR YOUR  
MOTION COMPOSITES WHEELCHAIR

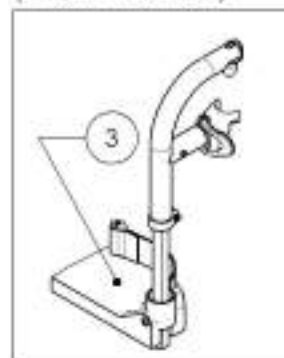
**9007875\_9007877**

**Footrest - Swing-In/Out, Left, 90° + Long Ext. & Footplate**



ITEM NO.	PART NO.	DESCRIPTION	9007875 /QTY.	9007876 /QTY.	9007877 /QTY.	REPLACEMENT PARTS/QTY.
1	31548	V2 90 DEG LEGREST, LEFT - ASSEMBLY	1	1	1	-
2	31209	V2 FOOTREST 90° LONG EXTENSION	1	1	1	-
3	31276	COMPOSITE FOOTPLATE 6 x 4 in, LEFT (WHEELCHAIR WIDTH: 14-16 in)	1	-	-	-
4	31278	COMPOSITE FOOTPLATE 7 x 4 in, LEFT (WHEELCHAIR WIDTH: 17-18 in)	-	1	-	-
5	31280	COMPOSITE FOOTPLATE 8 x 4 in, LEFT (WHEELCHAIR WIDTH: 19 in +)	-	-	1	-
6	31045	ADJUSTABLE HEEL LOOP	1	1	1	-
7	31016	HEEL LOOP PIN (M)	1	1	1	-
8	91024	LOW PROF. CAP SCREW M6 X 2.54 X 25mm	1	1	1	-
9	99559	COLLAR LOCKWASHER 1_4	1	1	1	-
10	31052	COVED WASHER 1_4 X 3_4	2	2	2	-
11	90670	BUTTON HEAD CAP SCREW M6 X 1 X 58mm LONG, 24mm THREADED	1	1	1	-
12	99510	THIN HEX LOCKNUT 1/4-20	1	1	1	-
13	31551	V2 FOOTREST PIVOT - ASSEMBLY	-	-	-	1
14	31549	V2 FOOTREST HOUSING LEFT - ASSEMBLY	-	-	-	1
15	31553	V2 FOOTREST EXTENSION LEFT CLAMP - ASSEMBLY	-	-	-	1

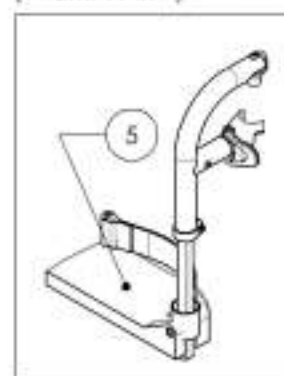
**9007875**  
Footrest - Swing-In/Out, Left, 90° + Long Ext. & Footplate (Width: 14 to 16 in)



**9007876**  
Footrest - Swing-In/Out, Left, 90° + Long Ext. & Footplate (Width: 17 to 18 in)

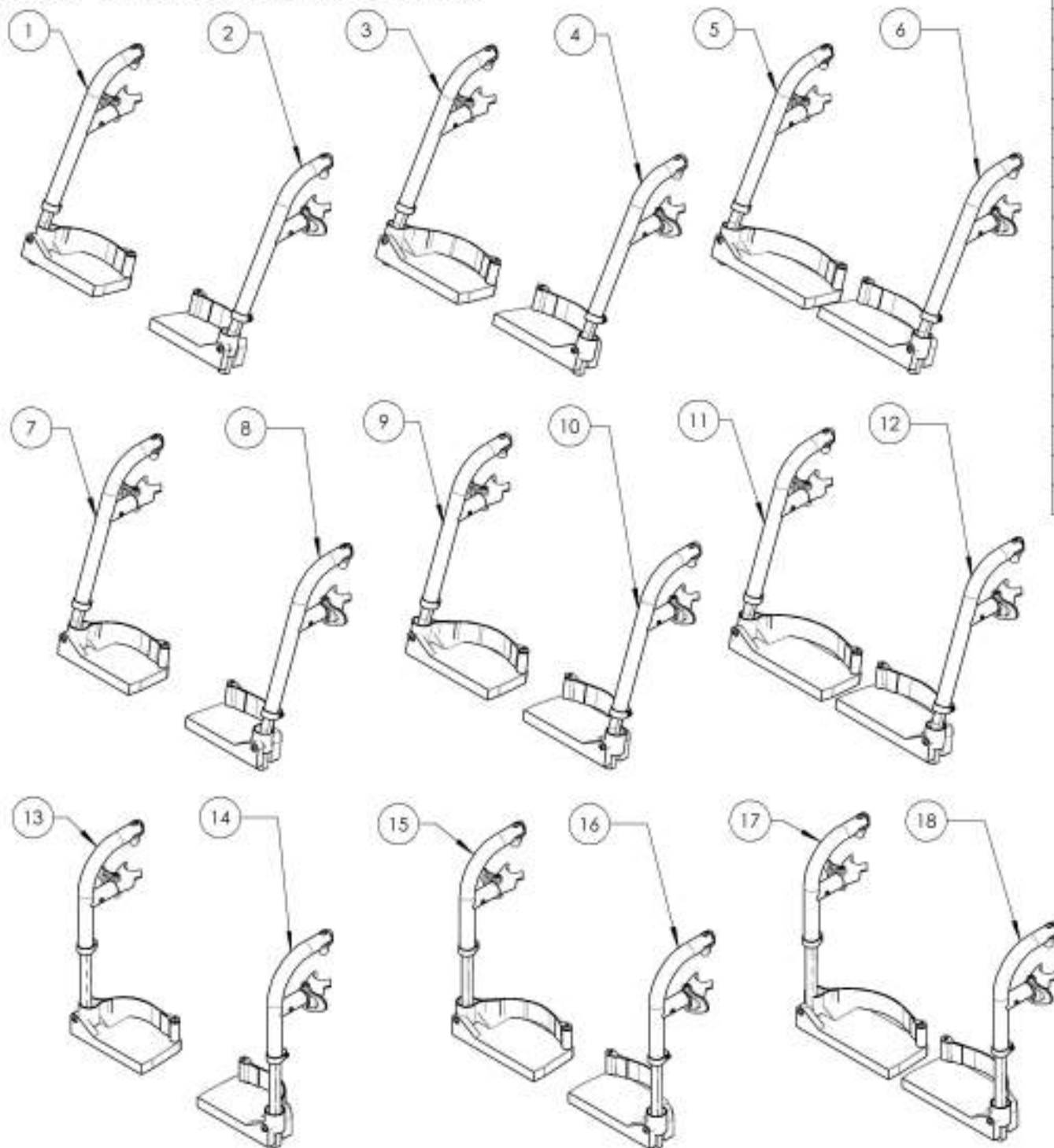


**9007877**  
Footrest - Swing-In/Out, Left, 90° + Long Ext. & Footplate (Width: 19 in +)



MAKE SURE TO HAVE YOUR SERIAL NUMBER NEARBY WHEN ORDERING PARTS FOR YOUR MOTION COMPOSITES WHEELCHAIR

**Quick Order Catalogue**  
**Footrest - Swing-In/Out + Long Ext. & Footplate**

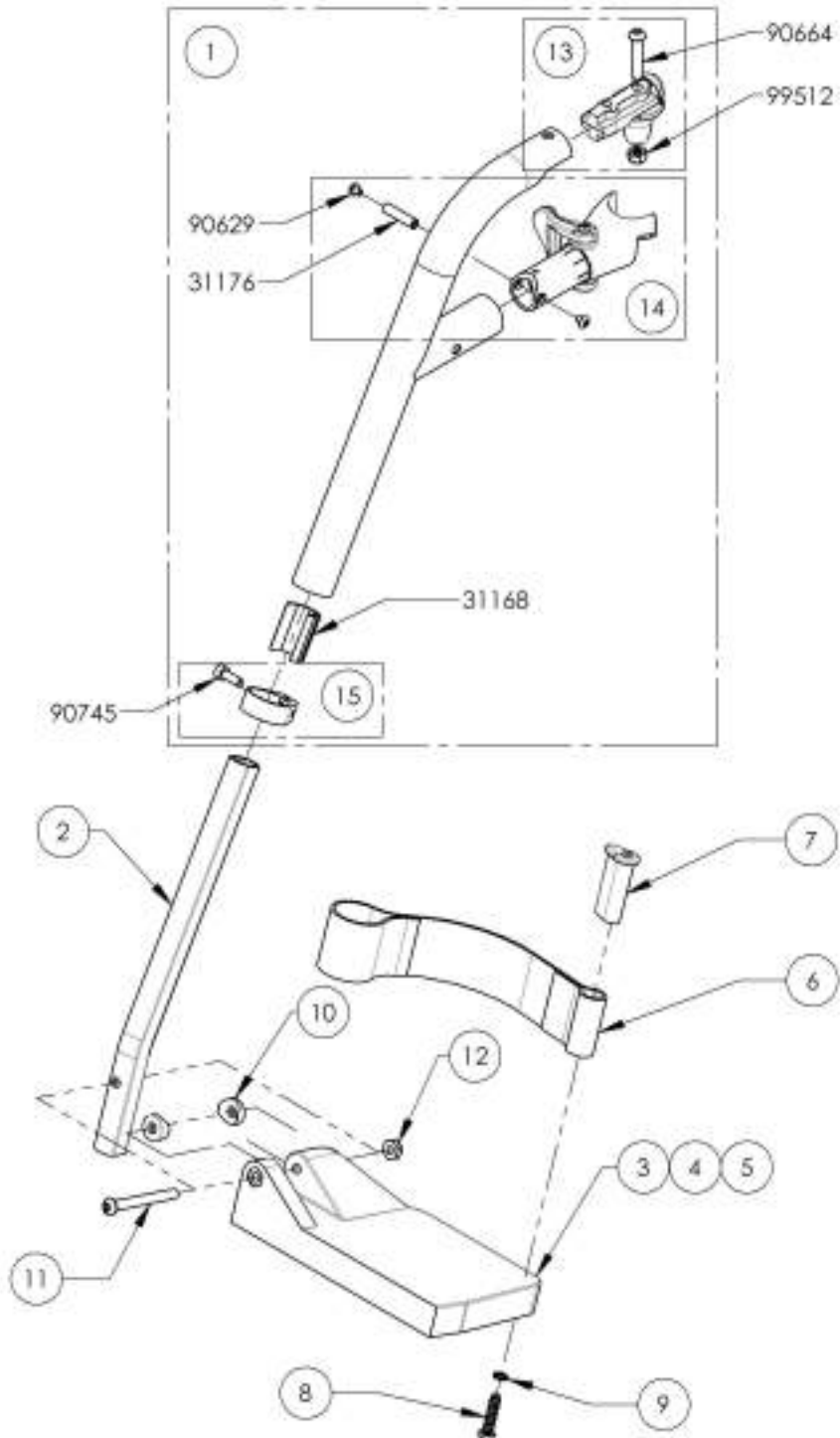


ITEM NO.	PARTNO	DESCRIPTION	QTY
1	9002458	Footrest - Swing-In/Out, Right, 60° + Long Ext. & Footplate (Width: 14 to 16 in)	1
2	9002461	Footrest - Swing-In/Out, Left, 60° + Long Ext. & Footplate (Width: 14 to 16 in)	1
3	9002459	Footrest - Swing-In/Out, Right, 60° + Long Ext. & Footplate (Width: 17 to 18 in)	1
4	9002462	Footrest - Swing-In/Out, Left, 60° + Long Ext. & Footplate (Width: 17 to 18 in)	1
5	9002460	Footrest - Swing-In/Out, Right, 60° + Long Ext. & Footplate (Width: 19 in +)	1
6	9002463	Footrest - Swing-In/Out, Left, 60° + Long Ext. & Footplate (Width: 19 in +)	1
7	9002464	Footrest - Swing-In/Out, Right, 70° + Long Ext. & Footplate (Width: 14 to 16 in)	1
8	9002467	Footrest - Swing-In/Out, Left, 70° + Long Ext. & Footplate (Width: 14 to 16 in)	1
9	9002465	Footrest - Swing-In/Out, Right, 70° + Long Ext. & Footplate (Width: 17 to 18 in)	1
10	9002468	Footrest - Swing-In/Out, Left, 70° + Long Ext. & Footplate (Width: 17 to 18 in)	1
11	9002466	Footrest - Swing-In/Out, Right, 70° + Long Ext. & Footplate (Width: 19 in +)	1
12	9002469	Footrest - Swing-In/Out, Left, 70° + Long Ext. & Footplate (Width: 19 in +)	1
13	9007872	Footrest - Swing-In/Out, Right, 90° + Long Ext. & Footplate (Width: 14 to 16 in)	1
14	9007875	Footrest - Swing-In/Out, Left, 90° + Long Ext. & Footplate (Width: 14 to 16 in)	1
15	9007873	Footrest - Swing-In/Out, Right, 90° + Long Ext. & Footplate (Width: 17 to 18 in)	1
16	9007876	Footrest - Swing-In/Out, Left, 90° + Long Ext. & Footplate (Width: 17 to 18 in)	1
17	9007874	Footrest - Swing-In/Out, Right, 90° + Long Ext. & Footplate (Width: 19 in +)	1
18	9007877	Footrest - Swing-In/Out, Left, 90° + Long Ext. & Footplate (Width: 19 in +)	1

MAKE SURE TO HAVE YOUR SERIAL NUMBER NEARBY WHEN ORDERING PARTS FOR YOUR MOTION COMPOSITES WHEELCHAIR

**9002458 9002460**

**Footrest - Swing-In/Out, Right, 60° + Long Ext. & Footplate**



ITEM NO.	PART NO.	DESCRIPTION	9002458 /QTY.	9002459 /QTY.	9002460 /QTY.	REPLACEMENT PARTS/QTY.
1	31543	V2 60 DEG LEGREST, RIGHT - ASSEMBLY	1	1	1	-
2	31168	V2 FOOTREST EXTENSION	1	1	1	-
3	31275	COMPOSITE FOOTPLATE 6 x 4 in, RIGHT (WHEELCHAIR WIDTH: 14-16 in)	1	-	-	-
4	31277	COMPOSITE FOOTPLATE 7 x 4 in, RIGHT (WHEELCHAIR WIDTH: 17-18 in)	-	1	-	-
5	31279	COMPOSITE FOOTPLATE 8 x 4 in, RIGHT (WHEELCHAIR WIDTH: 19 in +)	-	-	1	-
6	31045	ADJUSTABLE HEEL LOOP	1	1	1	-
7	31016	HEEL LOOP PIN (M)	1	1	1	-
8	91024	LOW PROFIL. CAP SCREW M6 X 2,54 X 25mm	1	1	1	-
9	99559	COLLAR LOCKWASHER 1_4	1	1	1	-
10	31052	COVED WASHER 1_4 x 3_4	2	2	2	-
11	90670	BUTTON HEAD CAP SCREW Mx1 X 58mm LONG, 24mm THREADED	1	1	1	-
12	99510	THIN HEX LOCKNUT 1/4-20	1	1	1	-
13	31551	V2 FOOTREST PIVOT - ASSEMBLY	-	-	-	1
14	31550	V2 FOOTREST HOUSING RIGHT - ASSEMBLY	-	-	-	1
15	31552	SSv3 EXTENSION CLAMP, RIGHT - ASSEMBLY	-	-	-	1

9002458 -  
Footrest - Swing-In/Out, Right,  
60° + Long Ext. & Footplate  
(Width: 14 to 16 in)



9002459 -  
Footrest - Swing-In/Out, Right,  
60° + Long Ext. & Footplate  
(Width: 17 to 18 in)



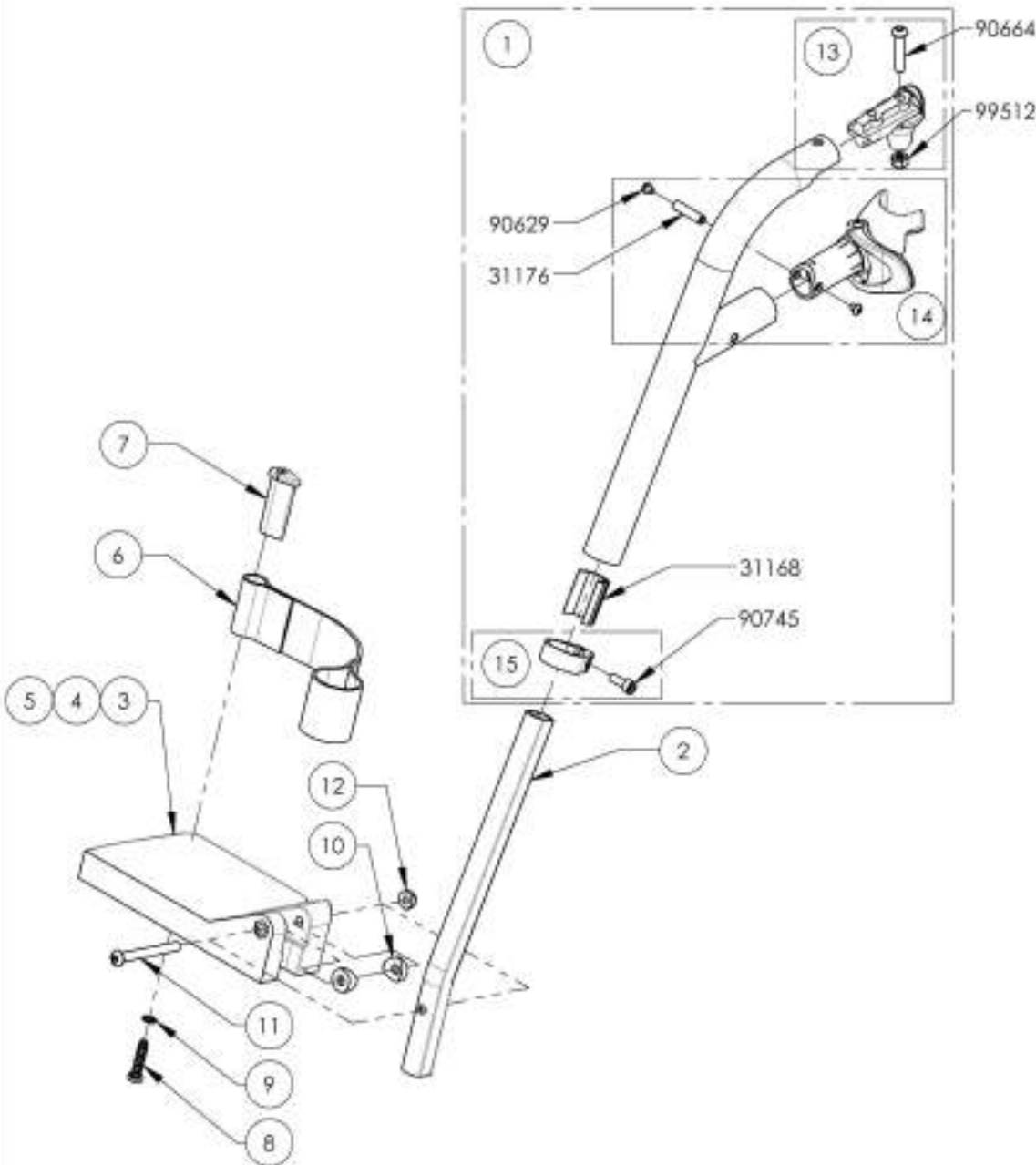
9002460 -  
Footrest - Swing-In/Out, Right,  
60° + Long Ext. & Footplate  
(Width: 19 in +)



MAKE SURE TO HAVE YOUR SERIAL NUMBER NEARBY WHEN ORDERING PARTS FOR YOUR MOTION COMPOSITES WHEELCHAIR

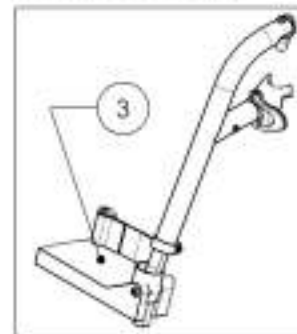
**9002461\_9002463**

**Footrest - Swing-In/Out, Left, 60° + Long Ext. & Footplate**

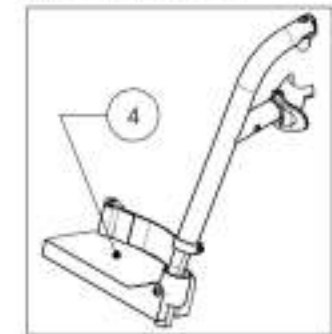


ITEM NO.	PART NO.	DESCRIPTION	9002461 /QTY.	9002462 /QTY.	9002463 /QTY.	REPLACEMENT PARTS/QTY.
1	31544	V2 60 DEG LEGREST. LEFT - ASSEMBLY	1	1	1	-
2	31169	V2 FOOTREST EXTENSION	1	1	1	-
3	31276	COMPOSITE FOOTPLATE 6 x 4 in, LEFT (WHEELCHAIR WIDTH: 14-16 in)	1	-	-	-
4	31278	COMPOSITE FOOTPLATE 7 x 4 in, LEFT (WHEELCHAIR WIDTH: 17-18 in)	-	1	-	-
5	31280	COMPOSITE FOOTPLATE 8 x 4 in, LEFT (WHEELCHAIR WIDTH: 19 in +)	-	-	1	-
6	31045	ADJUSTABLE HEEL LOOP.	1	1	1	-
7	31016	HEEL LOOP PIN (M)	1	1	1	-
8	91024	LOW PROF. CAP SCREW M6 X 2.54 X 25mm	1	1	1	-
9	99559	COLLAR LOCKWASHER 1_4	1	1	1	-
10	31052	COVED WASHER 1_4 X 3_4	2	2	2	-
11	90670	BUTTON HEAD CAP SCREW M6 X 1 X 58mm LONG, 24mm THREADED	1	1	1	-
12	99510	THIN HEX LOCKNUT 1/4-20	1	1	1	-
13	31551	V2 FOOTREST PIVOT - ASSEMBLY	-	-	-	1
14	31549	V2 FOOTREST HOUSING LEFT - ASSEMBLY	-	-	-	1
15	31553	V2 FOOTREST EXTENSION LEFT CLAMP - ASSEMBLY	-	-	-	1

9002461 -  
Footrest - Swing-In/Out, Left,  
60° + Long Ext. & Footplate  
(Width: 14 to 16 in)



9002462 -  
Footrest - Swing-In/Out, Left,  
60° + Long Ext. & Footplate  
(Width: 17 to 18 in)



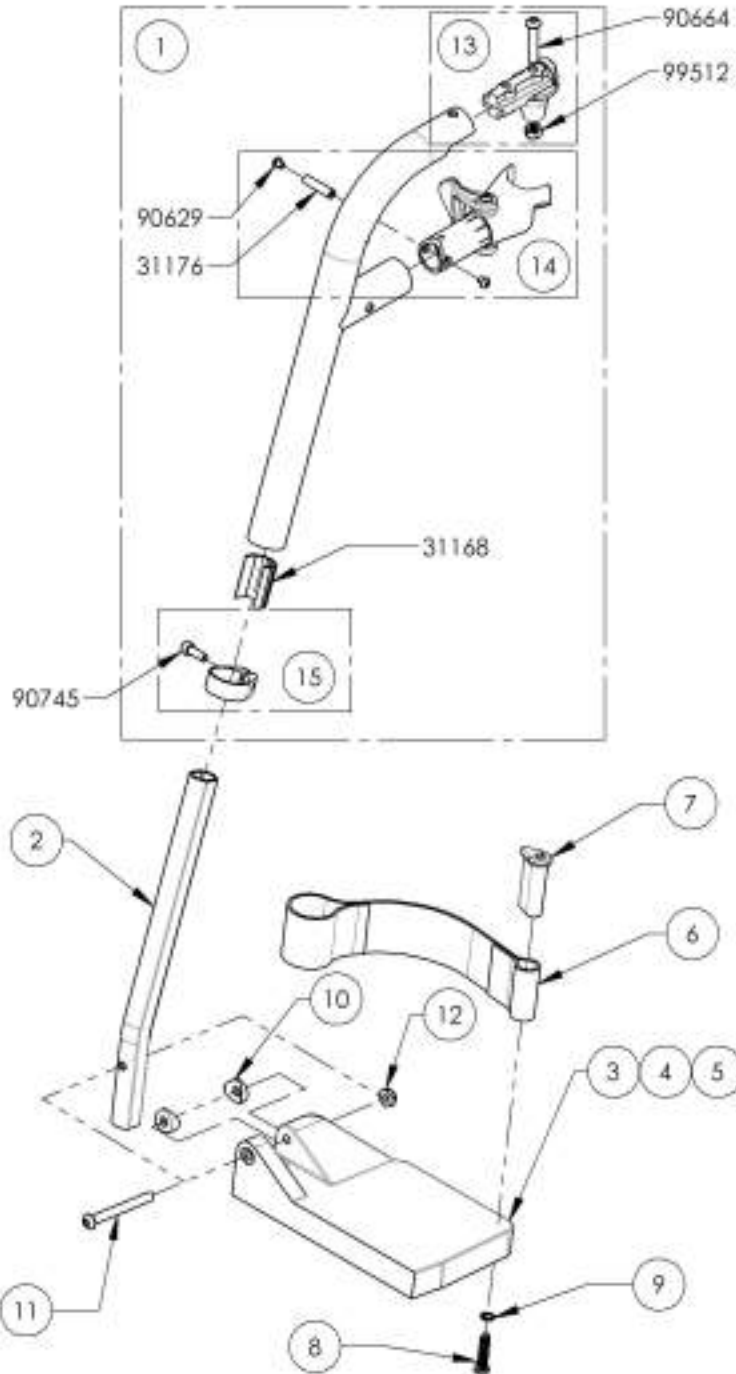
9002463 -  
Footrest - Swing-In/Out, Left,  
60° + Long Ext. & Footplate  
(Width: 19 in +)



MAKE SURE TO HAVE YOUR SERIAL NUMBER  
NEARBY WHEN ORDERING PARTS FOR YOUR  
MOTION COMPOSITES WHEELCHAIR

**9002464 9002466**

**Footrest - Swing-In/Out, Right, 70° + Long Ext. & Footplate**

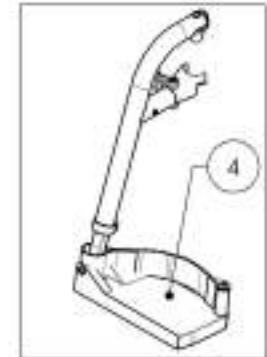


ITEM NO.	PARTNO	DESCRIPTION	9002464 /QTY.	9002465 /QTY.	9002466 /QTY.	REPLACEMENT PARTS/QTY.
1	31545	V2 70 DEG LEGREST, RIGHT - ASSEMBLY	1	1	1	-
2	31169	V2 FOOTREST EXTENSION	1	1	1	-
3	31275	COMPOSITE FOOTPLATE 6 x 4 in, RIGHT [WHEELCHAIR WIDTH: 14-16 in]	1	-	-	-
4	31277	COMPOSITE FOOTPLATE 7 x 4 in, RIGHT [WHEELCHAIR WIDTH: 17-18 in]	-	1	-	-
5	31279	COMPOSITE FOOTPLATE 8 x 4 in, RIGHT [WHEELCHAIR WIDTH: 19 in +]	-	-	1	-
6	31045	ADJUSTABLE HEEL LOOP	1	1	1	-
7	31016	HEEL LOOP PIN (M)	1	1	1	-
8	91024	LOW PROFL CAP SCREW #6 X 2.54 X 25mm	1	1	1	-
9	99559	COLLAR LOCKWASHER 1_4	1	1	1	-
10	31082	COVER WASHER 1_4x3_4	2	2	2	-
11	90070	BUTTON-HEAD CAP SCREW M6 X 36mm LONG, 14mm THREADED + BLUE THREADLOCKER - BLACK ZINC	1	1	1	-
12	90610	THIN HEX LOCKNUT 1/4-20	1	1	1	-
13	31551	V2 FOOTREST PIVOT - ASSEMBLY	-	-	-	1
14	31550	V2 FOOTREST HOUSING RIGHT - ASSEMBLY	-	-	-	1
15	31552	SSx3 EXTENSION CLAMP, RIGHT - ASSEMBLY	-	-	-	1

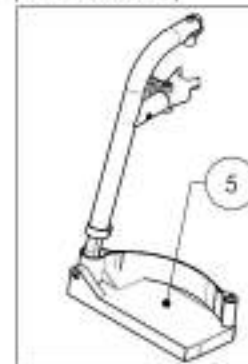
**9002464**  
Footrest - Swing-In/Out, Right,  
70° + Long Ext. & Footplate  
(Width: 14 to 16 in)



**9002465**  
Footrest - Swing-In/Out, Right,  
70° + Long Ext. & Footplate  
(Width: 17 to 18 in)



**9002466**  
Footrest - Swing-In/Out, Right,  
70° + Long Ext. & Footplate  
(Width: 19 in +)



MAKE SURE TO HAVE YOUR SERIAL NUMBER  
NEARBY WHEN ORDERING PARTS FOR YOUR  
MOTION COMPOSITES WHEELCHAIR

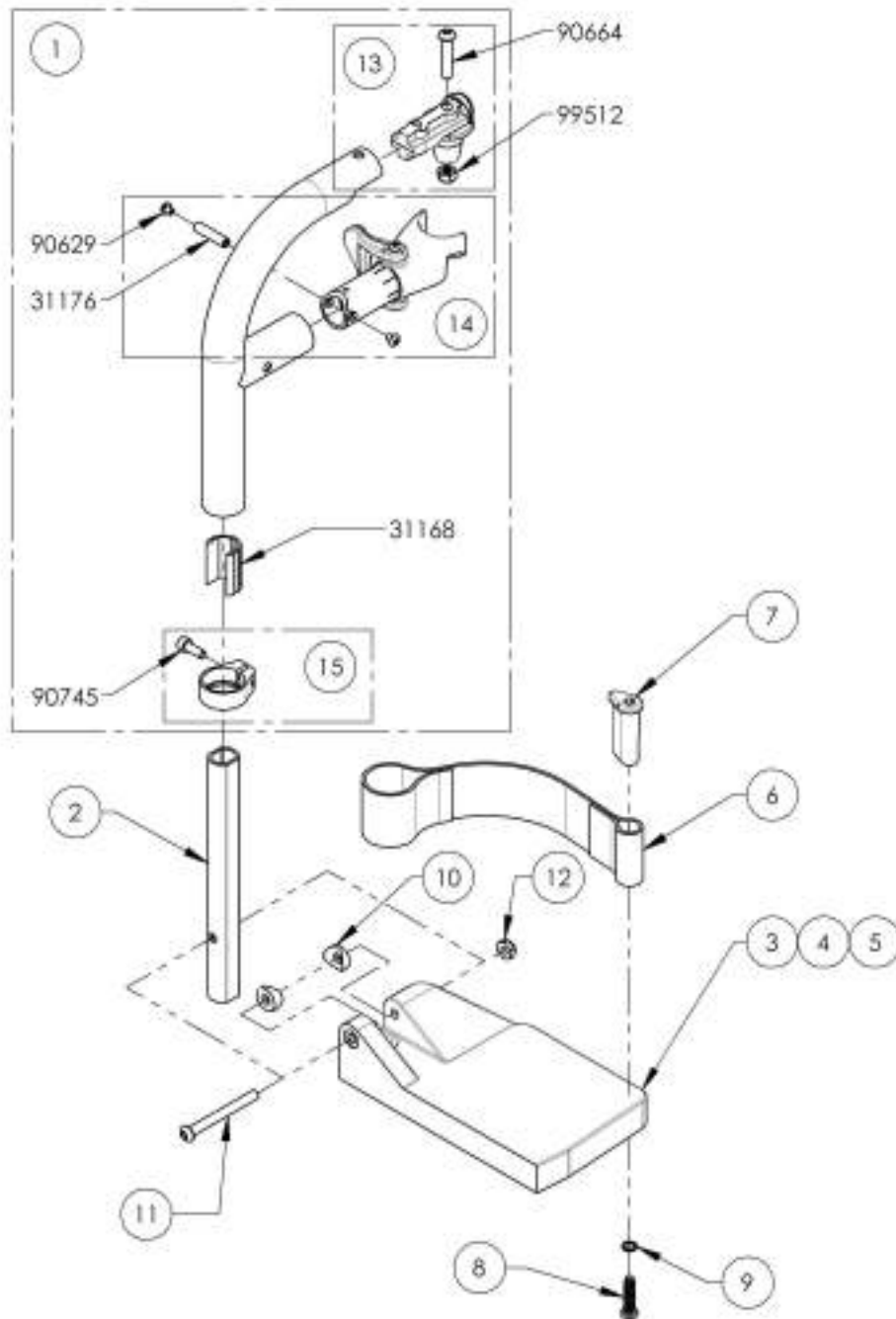






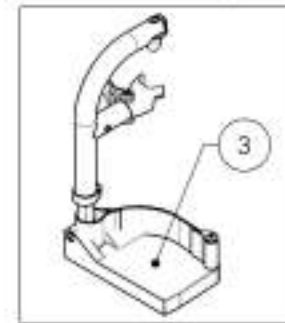
**9002470\_9002472**

**Footrest - Swing-In/Out, Right, 90° + Short Ext. & Footplate**

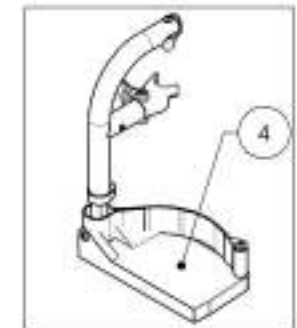


ITEM NO.	PARTNO	DESCRIPTION	9002470 /QTY.	9002471 /QTY.	9002472 /QTY.	REPLACEMENT PARTS/QTY.
1	31547	V2 90 DEG LEGREST, RIGHT - ASSEMBLY	1	1	1	-
2	31198	V2 FOOTREST 90° EXTENSION	1	1	1	-
3	31275	COMPOSITE FOOTPLATE 6 x 4 in, RIGHT (WHEELCHAIR WIDTH: 14-16 in)	1	-	-	-
4	31277	COMPOSITE FOOTPLATE 7 x 4 in, RIGHT (WHEELCHAIR WIDTH: 17-18 in)	-	1	-	-
5	31279	COMPOSITE FOOTPLATE 8 x 4 in, RIGHT (WHEELCHAIR WIDTH: 19 in +)	-	-	1	-
6	31045	ADJUSTABLE HEEL LOOP	1	1	1	-
7	31016	HEEL LOOP PIN (M)	1	1	1	-
8	91024	LOW PROF. CAP SCREW M4 X 2.54 X 25mm	1	1	1	-
9	99559	COLLAR LOCKWASHER 1_4	1	1	1	-
10	31052	COVED WASHER 1_4 x 3_4	2	2	2	-
11	90670	BUTTON-HEAD CAP SCREW MAX 1 X 58mm LONG, 24mm THREADED	1	1	1	-
12	99510	THIN HEX LOCKNUT 1/4-20	1	1	1	-
13	31551	V2 FOOTREST PIVOT - ASSEMBLY	-	-	-	1
14	31550	V2 FOOTREST HOUSING RIGHT - ASSEMBLY	-	-	-	1
15	31552	SSV3 EXTENSION CLAMP, RIGHT - ASSEMBLY	-	-	-	1

9002470  
Footrest - Swing-In/Out, Right,  
90° + Short Ext. & Footplate  
(Width: 14 to 16 in)



9002471  
Footrest - Swing-In/Out, Right,  
90° + Short Ext. & Footplate  
(Width: 17 to 18 in)



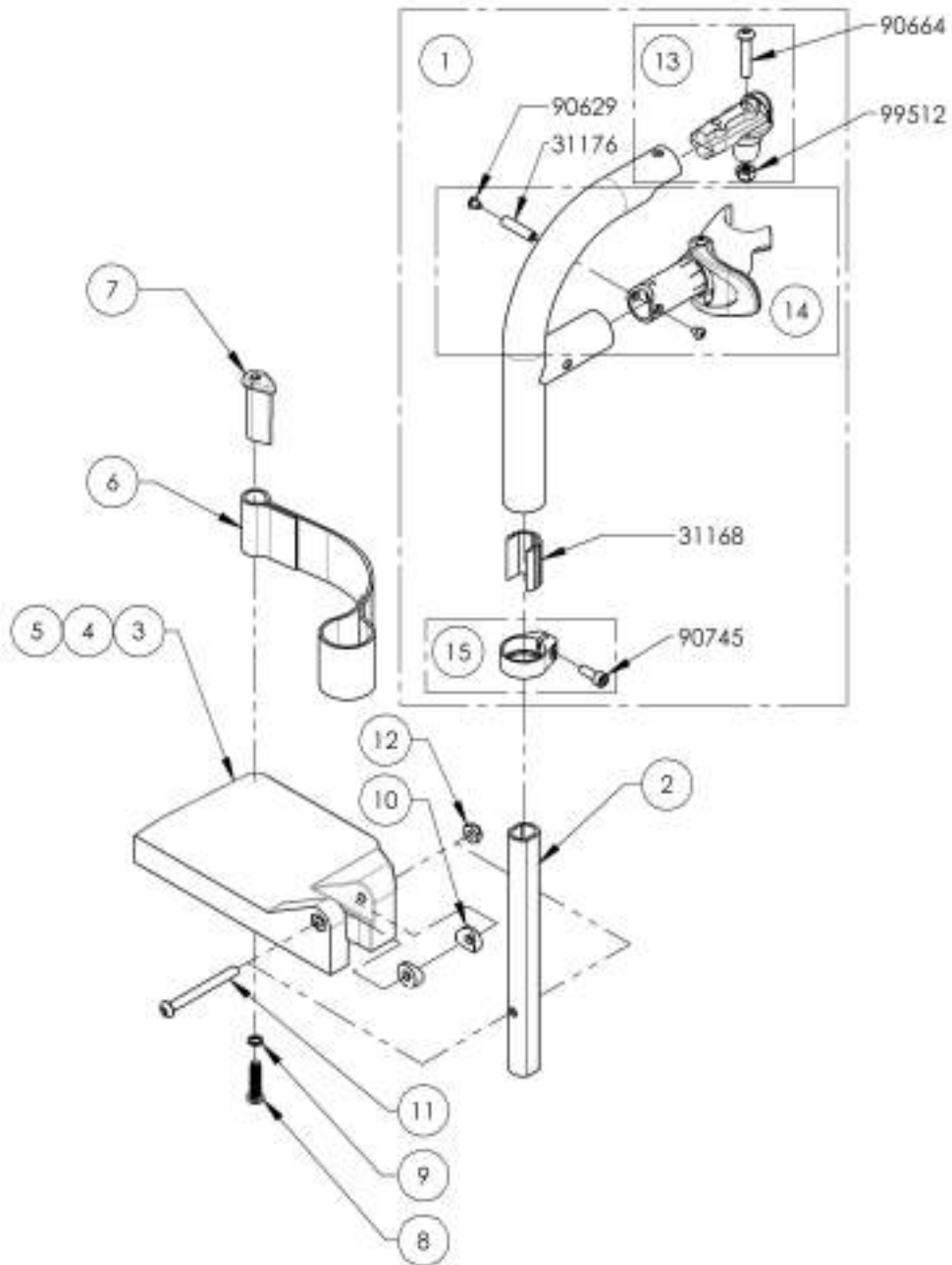
9002472  
Footrest - Swing-In/Out, Right,  
90° + Short Ext. & Footplate  
(Width: 19 in +)



MAKE SURE TO HAVE YOUR SERIAL NUMBER  
NEARBY WHEN ORDERING PARTS FOR YOUR  
MOTION COMPOSITES WHEELCHAIR

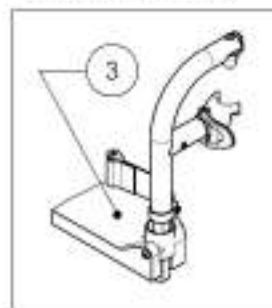
**9002473\_9002475**

**Footrest - Swing-In/Out, Left, 90° + Short Ext. & Footplate**



ITEM NO.	PART NO	DESCRIPTION	9002473 /QTY.	9002474 /QTY.	9002475 /QTY.	REPLACEMENT PARTS/QTY.
1	31548	V2 90 DEG LEGREST, LEFT - ASSEMBLY	1	1	1	-
2	31198	V2 FOOTREST 90° EXTENSION	1	1	1	-
3	31276	COMPOSITE FOOTPLATE 6 x 4 in, LEFT (WHEELCHAIR WIDTH: 14-16 in)	1	-	-	-
4	31278	COMPOSITE FOOTPLATE 7 x 4 in, LEFT (WHEELCHAIR WIDTH: 17-18 in)	-	1	-	-
5	31280	COMPOSITE FOOTPLATE 8 x 4 in, LEFT (WHEELCHAIR WIDTH: 19 in +)	-	-	1	-
6	31045	ADJUSTABLE HEEL LOOP	1	1	1	-
7	31016	HEEL LOOP PIN (M)	1	1	1	-
8	91024	LOW PROF. CAP SCREW M6 X 2.5 X 25mm	1	1	1	-
9	99559	COLLAR LOCKWASHER 1_4	1	1	1	-
10	31052	COVED WASHER 1_4 X 3_4	2	2	2	-
11	90670	BUTTON HEAD CAP SCREW M6 X 1 X 58mm LONG, 24mm THREADED	1	1	1	-
12	99510	THIN HEX LOCKNUT 1/4-20	1	1	1	-
13	31551	V2 FOOTREST PIVOT - ASSEMBLY	-	-	-	1
14	31549	V2 FOOTREST HOUSING LEFT - ASSEMBLY	-	-	-	1
15	31553	V2 FOOTREST EXTENSION LEFT CLAMP - ASSEMBLY	-	-	-	1

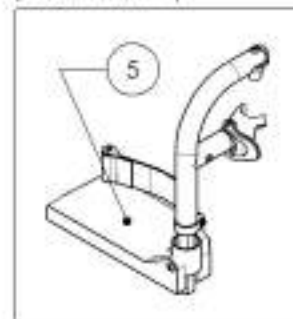
**9002473**  
Footrest - Swing-In/Out, Left, 90° + Short Ext. & Footplate (Width: 14 to 16 in)



**9002474**  
Footrest - Swing-In/Out, Left, 90° + Short Ext. & Footplate (Width: 17 to 18 in)



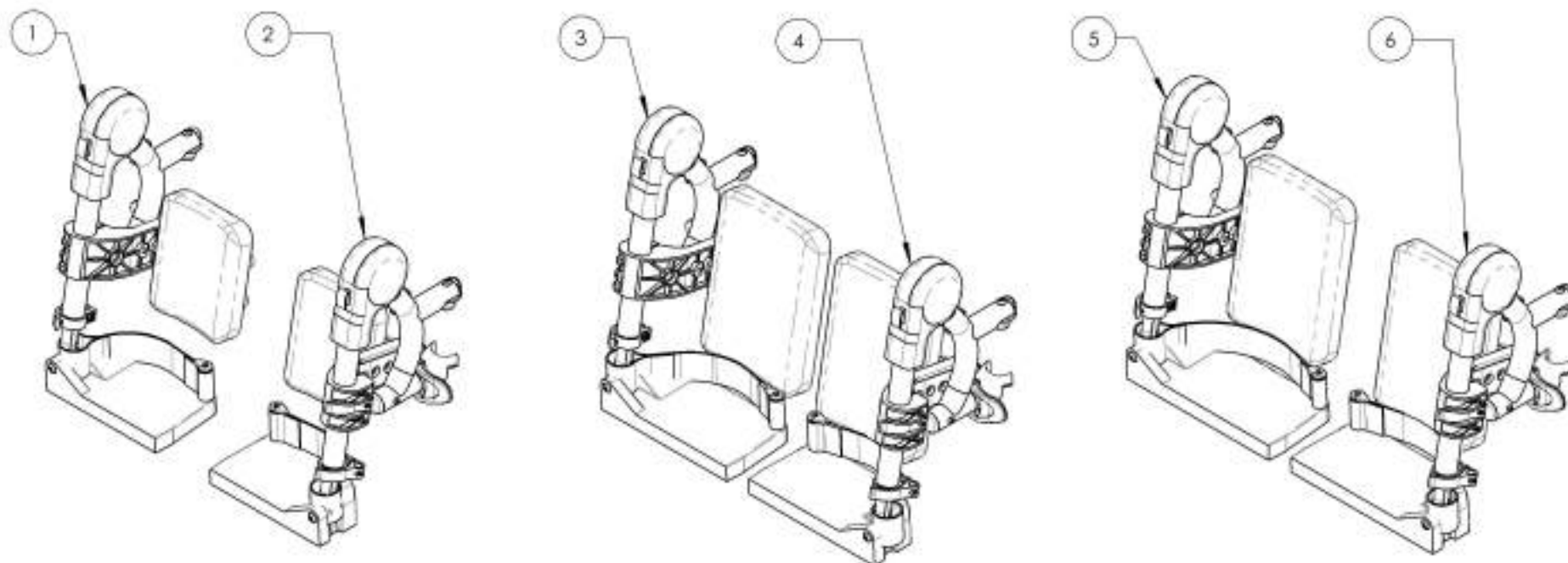
**9002475**  
Footrest - Swing-In/Out, Left, 90° + Short Ext. & Footplate (Width: 19 in +)



MAKE SURE TO HAVE YOUR SERIAL NUMBER NEARBY WHEN ORDERING PARTS FOR YOUR MOTION COMPOSITES WHEELCHAIR

**Quick Order Catalogue**  
**Complete Elevating Legrest, Swing-In & Swing-Out + Composite Footplate**

ITEM NO.	PARTNO	DESCRIPTION	QTY
1	9002482	Complete Elevating Legrest - Swing-In/Swing-Out, Right + Composite Footplate (Wheelchair Width: 14 to 16 in)	1
2	9002485	Complete Elevating Legrest - Swing-In/Swing-Out, Left + Composite Footplate (Wheelchair Width: 14 to 16 in)	1
3	9002483	Complete Elevating Legrest - Swing-In/Swing-Out, Right + Composite Footplate (Wheelchair Width: 17 to 18 in)	1
4	9002486	Complete Elevating Legrest - Swing-In/Swing-Out, Left + Composite Footplate (Wheelchair Width: 17 to 18 in)	1
5	9002484	Complete Elevating Legrest - Swing-In/Swing-Out, Right + Composite Footplate (Wheelchair Width: 19 in +)	1
6	9002487	Complete Elevating Legrest - Swing-In/Swing-Out, Left + Composite Footplate (Wheelchair Width: 19 in +)	1

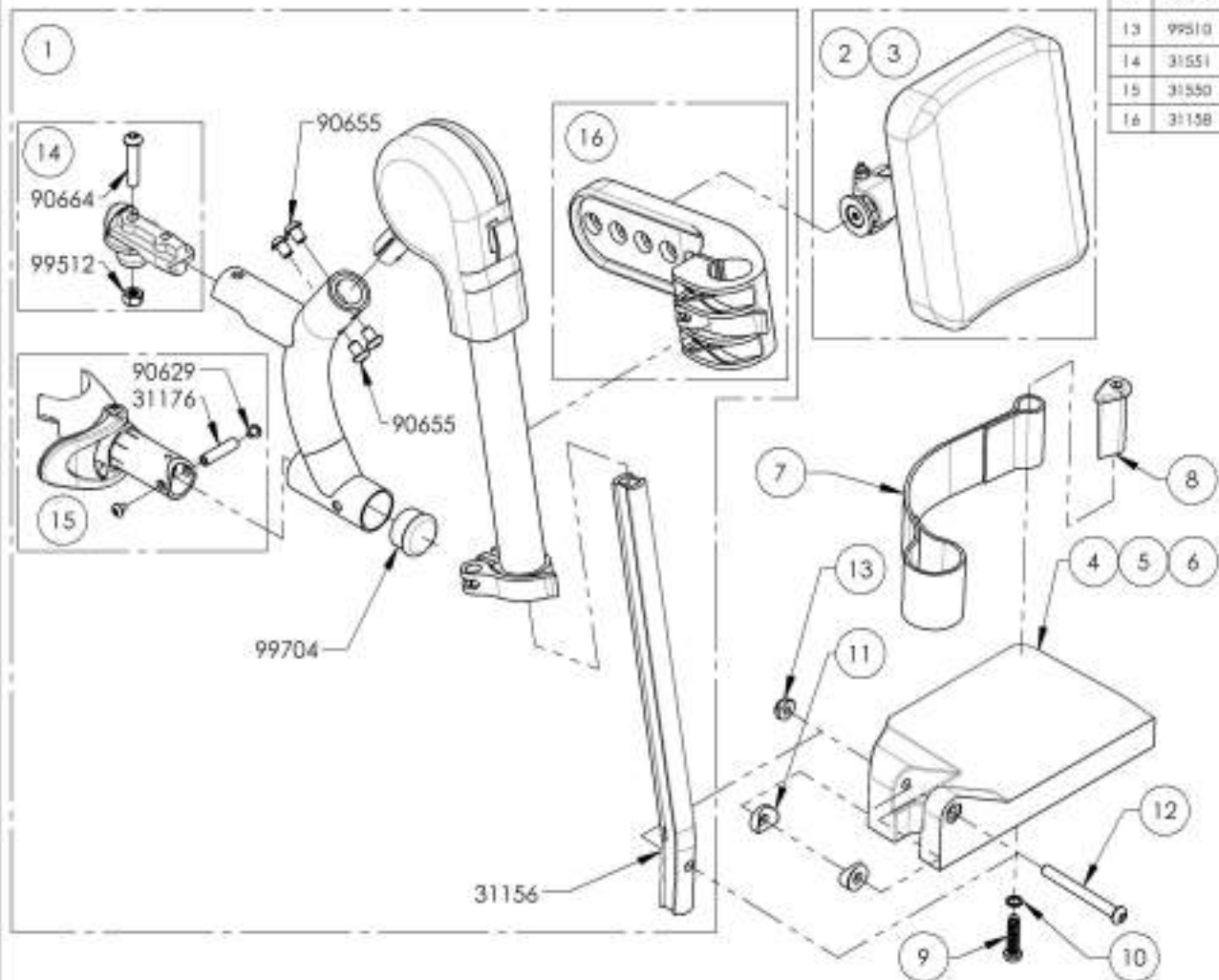


MAKE SURE TO HAVE YOUR SERIAL NUMBER  
 NEARBY WHEN ORDERING PARTS FOR YOUR  
 MOTION COMPOSITES WHEELCHAIR

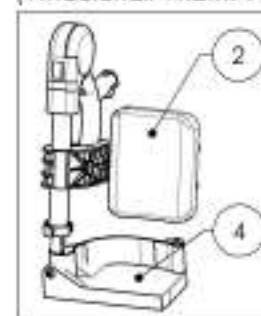
**9002482\_9002484**

**Complete Elevating Legrest - Swing-In/Swing-Out, Right + Composite Footplate**

ITEM NO.	PART NO.	DESCRIPTION	9002482 /QTY.	9002483 /QTY.	9002484 /QTY.	REPLACEMENT PARTS/QTY.
1	31564	V2 ELEVATING LEGREST RIGHT	1	1	1	-
2	31140	14-16" RIGHT ELEVATING LEGREST CALF PAD	1	-	-	-
3	31142	17-22" RIGHT ELEVATING LEGREST CALF PAD	-	1	1	-
4	31275	COMPOSITE FOOTPLATE 6 x 4 in. RIGHT (WHEELCHAIR WIDTH: 14-16 in)	1	-	-	-
5	31277	COMPOSITE FOOTPLATE 7 x 4 in. RIGHT (WHEELCHAIR WIDTH: 17-18 in)	-	1	-	-
6	31279	COMPOSITE FOOTPLATE 8 x 4 in. RIGHT (WHEELCHAIR WIDTH: 19 in +)	-	-	1	-
7	31045	ADJUSTABLE HEEL LOOP	1	1	1	-
8	31016	HEEL LOOP PIN (M)	1	1	1	-
9	91024	LOW PROFIL CAP SCREW M6 X 2.54 X 25mm	1	1	1	-
10	99559	COLLAR LOCKWASHER 1_4	1	1	1	-
11	31052	COVED WASHER 1_4 X 3_4	2	2	2	-
12	90670	BUTTON-HEAD CAP SCREW M4X1 X 58mm LONG, 24mm THREADED	1	1	1	-
13	99510	THIN HEX LOCKNUT 1/4-20	1	1	1	-
14	31551	V2 FOOTREST PIVOT - ASSEMBLY	-	-	-	1
15	31550	V2 FOOTREST HOUSING RIGHT - ASSEMBLY	-	-	-	1
16	31138	ELEVATING LEGREST CALF PAD SUPPORT	-	-	-	1



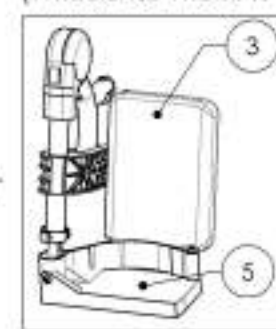
**9002482**  
Complete Elevating Legrest -  
Swing-In/Swing-Out, Right +  
Composite Footplate  
(Wheelchair Width: 14 to 16 in)



**9002484**  
Complete Elevating Legrest -  
Swing-In/Swing-Out, Right +  
Composite Footplate  
(Wheelchair Width: 19 in +)

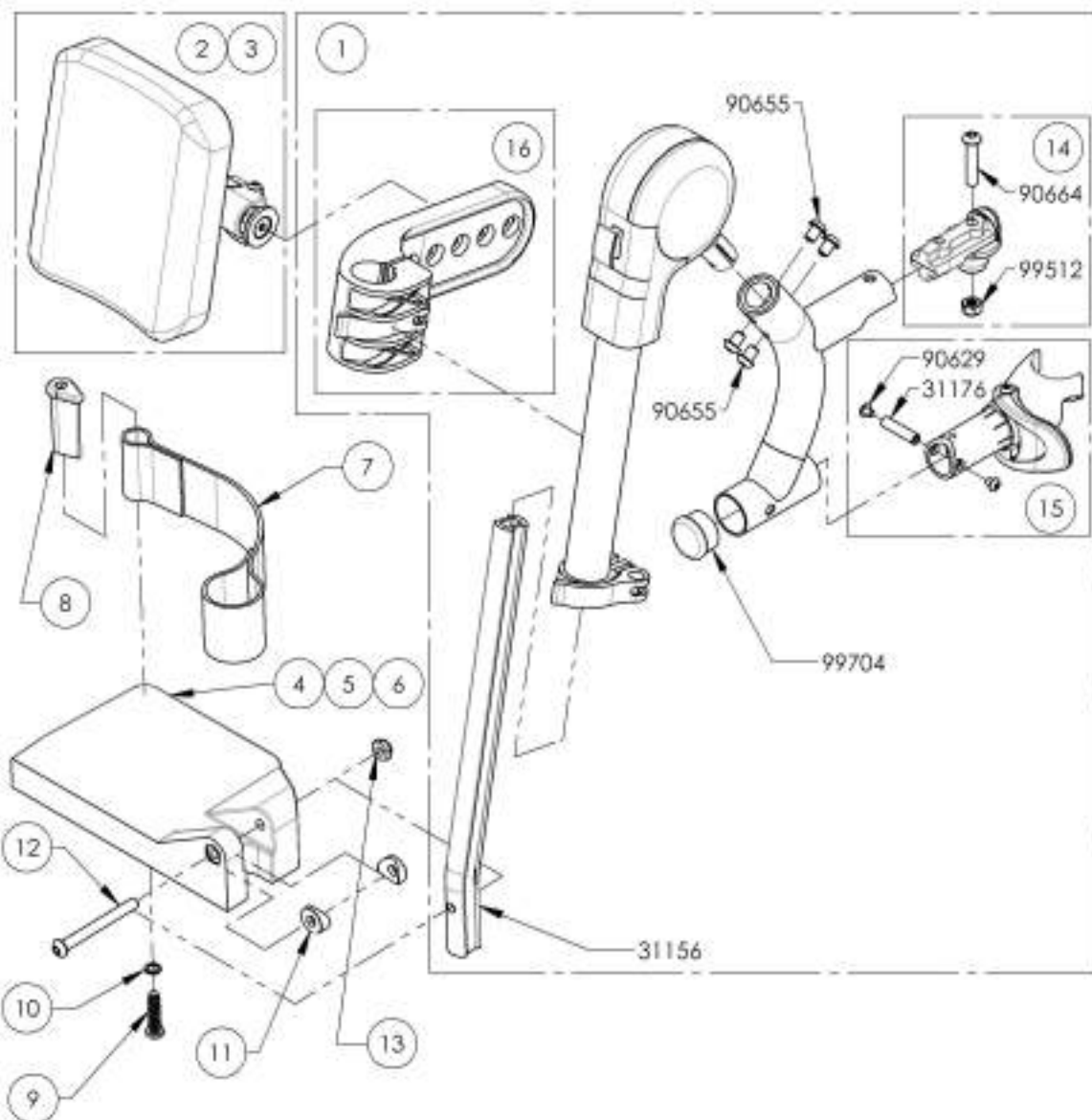


**9002483**  
Complete Elevating Legrest -  
Swing-In/Swing-Out, Right +  
Composite Footplate  
(Wheelchair Width: 17 to 18 in)



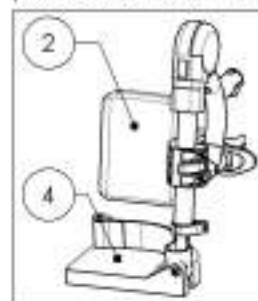
MAKE SURE TO HAVE YOUR SERIAL NUMBER NEARBY WHEN ORDERING PARTS FOR YOUR MOTION COMPOSITES WHEELCHAIR

**9002485\_9002487**  
**Complete Elevating Legrest - Swing-In/Swing-Out, Left + Composite Footplate**

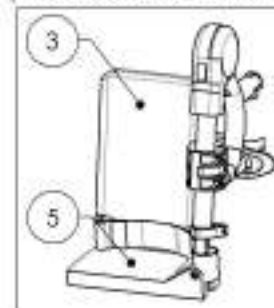


ITEM NO.	PART NO	DESCRIPTION	9002485 /QTY.	9002486 /QTY.	9002487 /QTY.	REPLACEMENT PARTS/QTY.
1	31565	V2 ELEVATING LEGREST LEFT	1	1	1	-
2	31141	14-16" LEFT ELEVATING LEGREST CALF PAD	1	-	-	-
3	31143	17-22" LEFT ELEVATING LEGREST CALF PAD	-	1	1	-
4	31276	COMPOSITE FOOTPLATE 6 x 4 in. LEFT (WHEELCHAIR WIDTH: 14-16 in)	1	-	-	-
5	31278	COMPOSITE FOOTPLATE 7 x 4 in. LEFT (WHEELCHAIR WIDTH: 17-18 in)	-	1	-	-
6	31280	COMPOSITE FOOTPLATE 8 x 4 in. LEFT (WHEELCHAIR WIDTH: 19 in +)	-	-	1	-
7	31045	ADJUSTABLE HEEL LOOP	1	1	1	-
8	31016	HEEL LOOP PIN (M)	1	1	1	-
9	91024	LOW PROFIL CAP SCREW M6 X 2.54 X 25mm	1	1	1	-
10	99539	COLLAR LOCKWASHER 1_4	1	1	1	-
11	31052	COVER WASHER 1_4 X 3_4	2	2	2	-
12	90670	BUTTON HEAD CAP SCREW M8 X 38mm LONG, 34mm THREADED	1	1	1	-
13	99510	THIN HEX LOCKNUT 1/4-20	1	1	1	-
14	31549	V2 FOOTREST HOUSING LEFT - ASSEMBLY	-	-	-	1
15	31551	V2 FOOTREST PIVOT - ASSEMBLY	-	-	-	1
16	31158	ELEVATING LEGREST CALF PAD SUPPORT	-	-	-	1

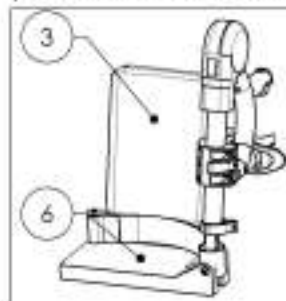
**9002485**  
 Complete Elevating Legrest -  
 Swing-In/Swing-Out, Left +  
 Composite Footplate  
 (Wheelchair Width: 14 to 16 in)



**9002486**  
 Complete Elevating Legrest -  
 Swing-In/Swing-Out, Left +  
 Composite Footplate  
 (Wheelchair Width: 17 to 18 in)



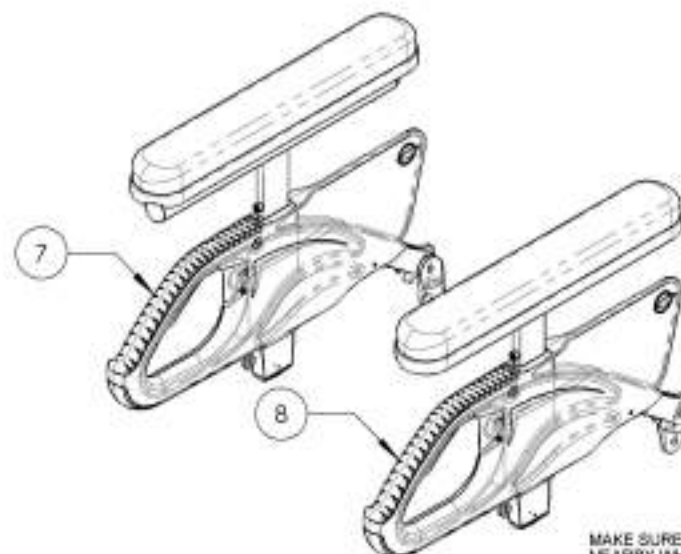
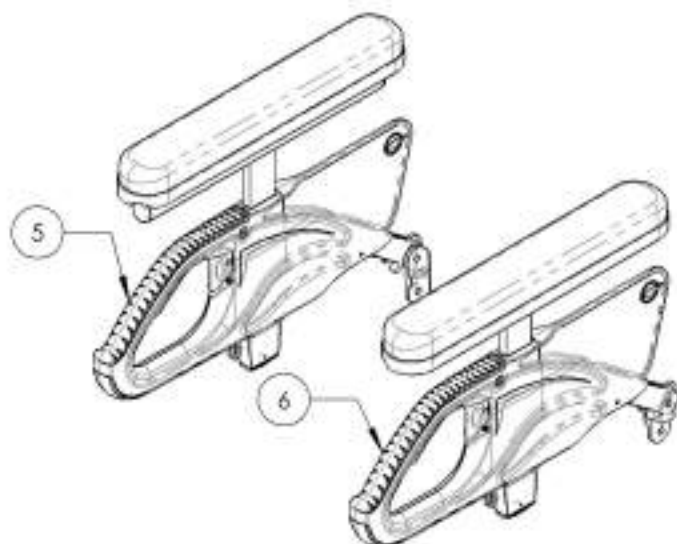
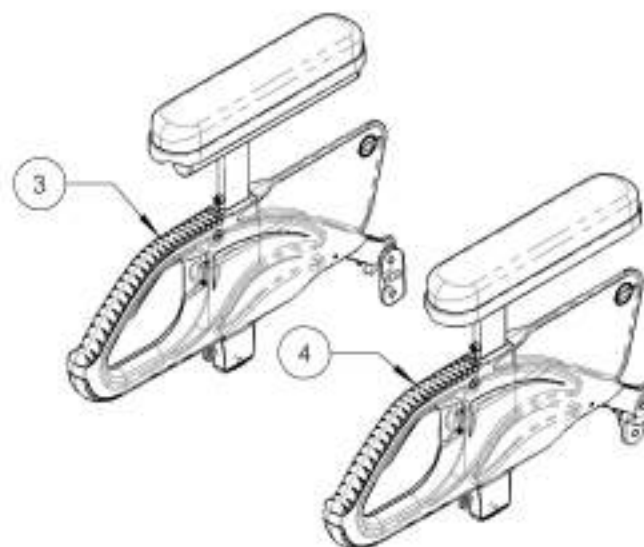
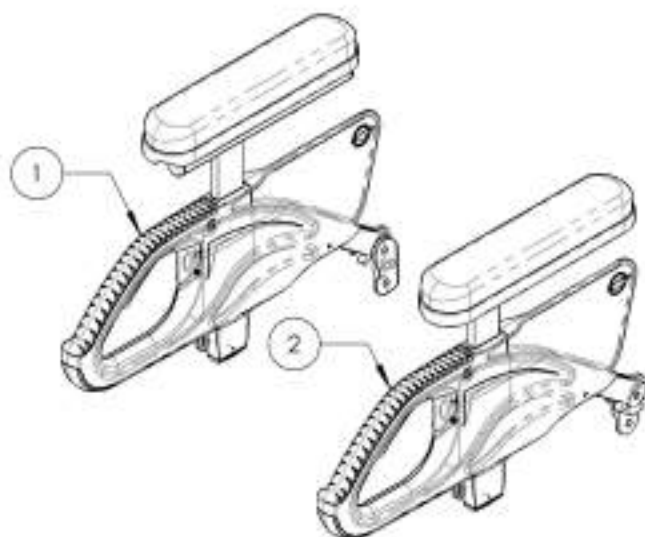
**9002487**  
 Complete Elevating Legrest -  
 Swing-In/Swing-Out, Left +  
 Composite Footplate  
 (Wheelchair Width: 19 in +)



MAKE SURE TO HAVE YOUR SERIAL NUMBER  
 NEARBY WHEN ORDERING PARTS FOR YOUR  
 MOTION COMPOSITES WHEELCHAIR

**Quick Order Catalogue**  
**Flip Back Type 2 Complete Armrest**

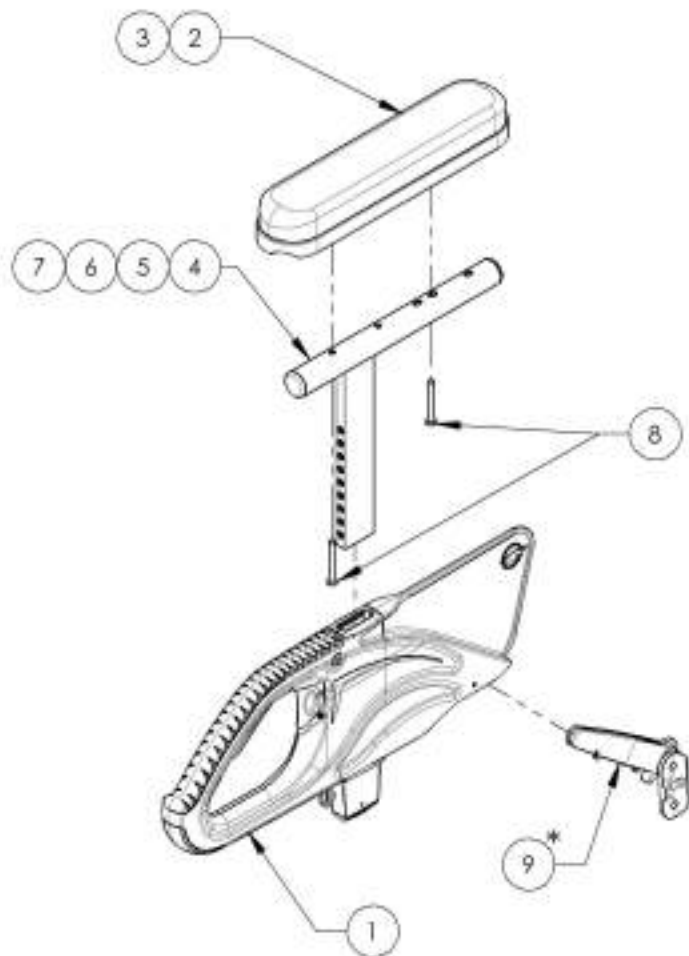
ITEM NO.	PARTNO	DESCRIPTION	QTY
1	9002888	Flip Back Type 2 Complete Armrest, 8-12 in. Desk Length, Right	1
2	9002892	Flip Back Type 2 Complete Armrest, 8-12 in. Desk Length, Left	1
3	9002889	Flip Back Type 2 Complete Armrest, 10-14 in. Desk Length, Right	1
4	9002893	Flip Back Type 2 Complete Armrest, 10-14 in. Desk Length, Left	1
5	9002890	Flip Back Type 2 Complete Armrest, 8-12 in. Full Length, Right	1
6	9002894	Flip Back Type 2 Complete Armrest, 8-12 in. Full Length, Left	1
7	9002891	Flip Back Type 2 Complete Armrest, 10-14 in. Full Length, Right	1
8	9002895	Flip Back Type 2 Complete Armrest, 10-14 in. Full Length, Left	1



MAKE SURE TO HAVE YOUR SERIAL NUMBER  
 NEARBY WHEN ORDERING PARTS FOR YOUR  
 MOTION COMPOSITES WHEELCHAIR

**9002888 9002891**  
**Flip Back Type 2 Complete Armrest, Desk & Full Length, Right**

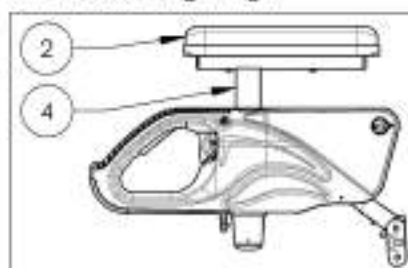
ITEM NO.	PARTNO	DESCRIPTION	9002888 /QTY.	9002889 /QTY.	9002890 /QTY.	9002891 /QTY.
1	33554	V2 ARMREST - MAIN BODY	1	1	1	1
2	33038	ARMREST DESK PAD	1	1	-	-
3	33039	ARMREST FULL LENGTH PAD	-	-	1	1
4	33579	V2 ARMREST STRUCTURE 8-12" FOR DESK LENGTH - ASSEMBLY	1	-	-	-
5	33580	V2 ARMREST STRUCTURE 10-14" FOR DESK LENGTH - ASSEMBLY	-	1	-	-
6	33559	V2 ARMREST STRUCTURE 8-12" FOR FULL LENGTH - ASSEMBLY	-	-	1	-
7	33560	V2 ARMREST STRUCTURE 10-14" FOR FULL LENGTH - ASSEMBLY	-	-	-	1
8	99013	SCREW PHILLIPS PAN HD #10_32 X 1_1_2+ BLUE THREADLOCKER	2	2	2	2
9	33558	V2 ARMREST REAR PIVOT - ASSEMBLY	1	1	1	1



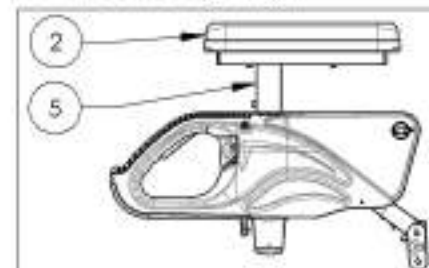
* DOUBLE TRIGGER INSTALLATION OPTIONS	
STANDARD RELEASE	LOCK POSITION
DETAIL A	DETAIL B

NOTICE THE DIRECTION OF THE DIAMOND SHAPE ON THE TRIGGER, HIS DISTANCE FROM THE SCREW INDICATES THE CONFIGURATION USED

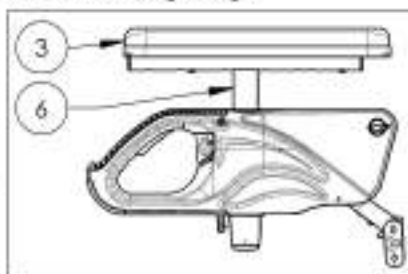
9002888  
 Flip Back Type 2 Complete Armrest,  
 8-12 in. Desk Length, Right



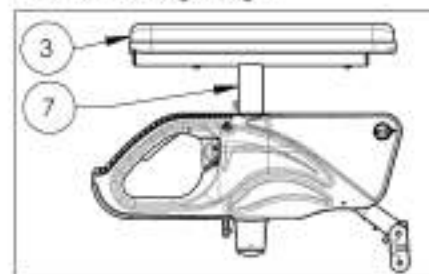
9002889  
 Flip Back Type 2 Complete Armrest,  
 10-14 in. Desk Length, Right



9002890  
 Flip Back Type 2 Complete Armrest,  
 8-12 in. Full Length, Right



9002891  
 Flip Back Type 2 Complete Armrest,  
 10-14 in. Full Length, Right

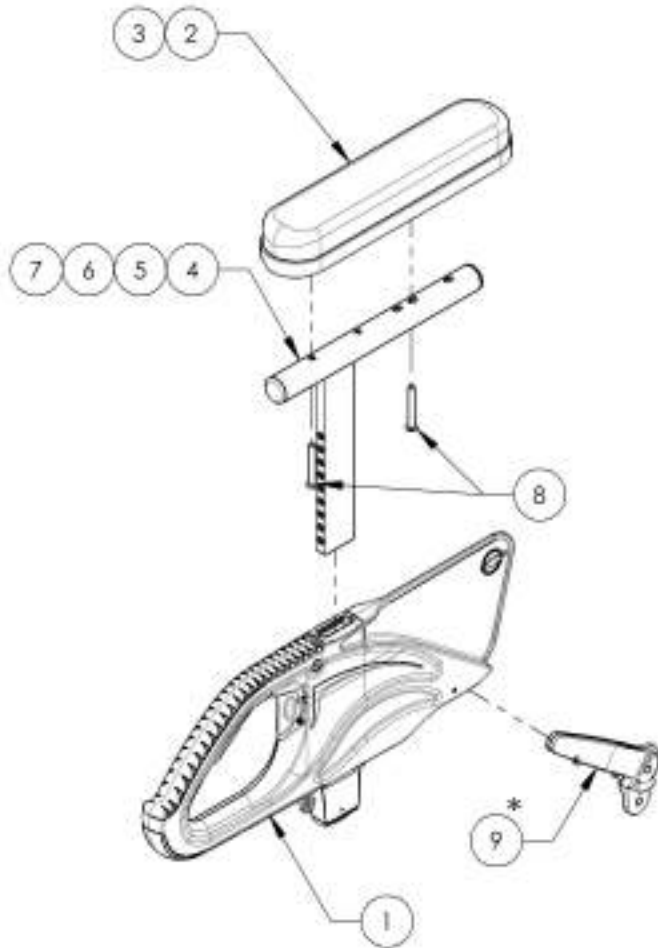


MAKE SURE TO HAVE YOUR SERIAL NUMBER  
 NEARBY WHEN ORDERING PARTS FOR YOUR  
 MOTION COMPOSITES WHEELCHAIR



**9002892\_9002895**  
**Flip Back Type 2 Complete Armrests, Desk & Full Length, Left**

ITEM NO.	PARTNO	DESCRIPTION	9002892 /QTY.	9002893 /QTY.	9002894 /QTY.	9002895 /QTY.
1	33054	V2 ARMREST - MAIN BODY	1	1	1	1
2	33038	ARMREST DESK PAD	1	1	-	-
3	33039	ARMREST FULL LENGTH PAD	-	-	1	1
4	33079	V2 ARMREST STRUCTURE 8-12" FOR DESK LENGTH - ASSEMBLY	1	-	-	-
5	33080	V2 ARMREST STRUCTURE 10-14" FOR DESK LENGTH - ASSEMBLY	-	1	-	-
6	33059	V2 ARMREST STRUCTURE 8-12" FOR FULL LENGTH - ASSEMBLY	-	-	1	-
7	33060	V2 ARMREST STRUCTURE 10-14" FOR FULL LENGTH - ASSEMBLY	-	-	-	1
8	99013	SCREW PHILLIPS PAN HD #10_32 X 1_1_2 + BLUE THREADLOCKER	2	2	2	2
9	33058	V2 ARMREST REAR PINCH - ASSEMBLY	1	1	1	1

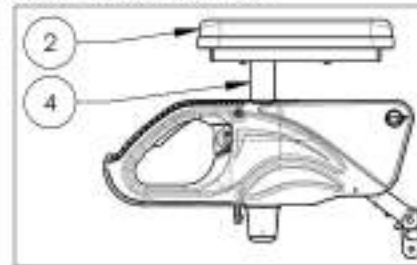


\* DOUBLE TRIGGER  
INSTALLATION OPTIONS

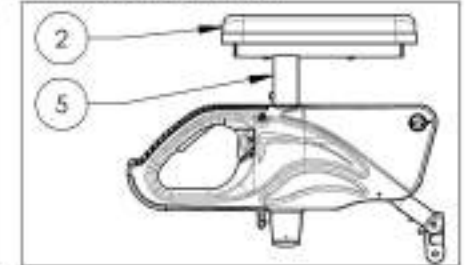
STANDARD RELEASE	LOCK POSITION
DETAIL A	DETAIL B

NOTICE THE DIRECTION OF THE DIAMOND SHAPE ON THE TRIGGER. HIS DISTANCE FROM THE SCREW INDICATES THE CONFIGURATION USED

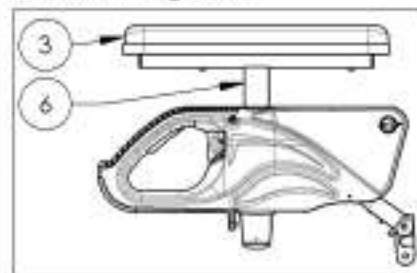
9002892  
 Flip Back Type 2 Complete Armrest,  
 8-12 in. Desk Length, Left



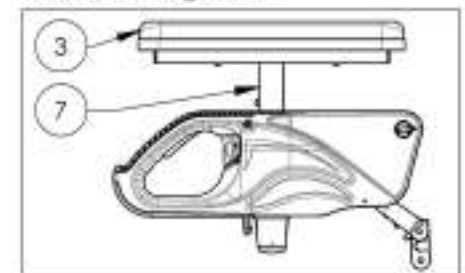
9002893  
 Flip Back Type 2 Complete Armrest,  
 10-14 in. Desk Length, Left



9002894  
 Flip Back Type 2 Complete Armrest,  
 8-12 in. Full Length, Left



9002895  
 Flip Back Type 2 Complete Armrest,  
 10-14 in. Full Length, Left



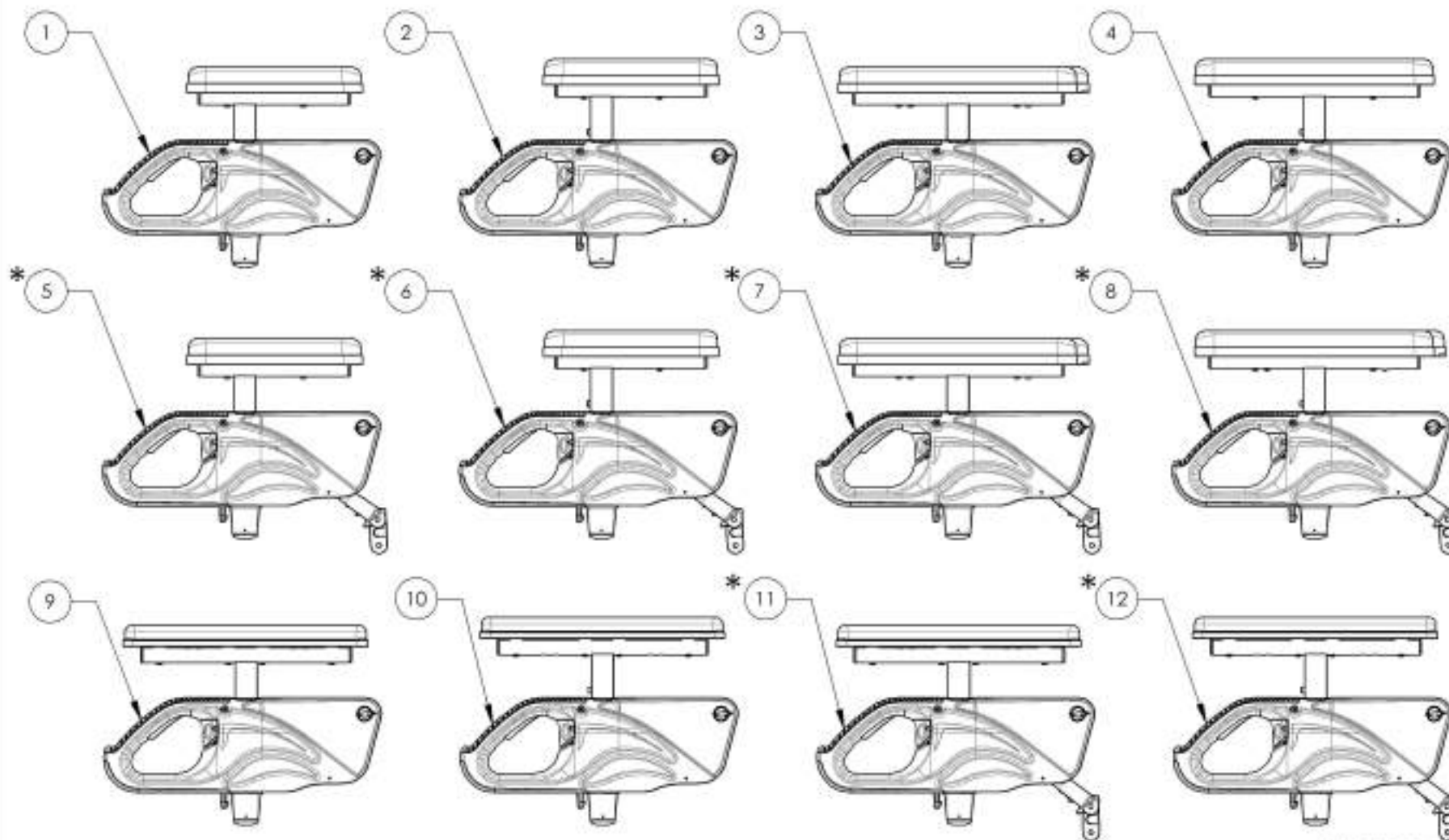
MAKE SURE TO HAVE YOUR SERIAL NUMBER  
 NEARBY WHEN ORDERING PARTS FOR YOUR  
 MOTION COMPOSITES WHEELCHAIR



**Quick Order Catalogue**  
**Complete Armrest Type 2 Pair Assembly**

ITEM NO.	PARTNO	DESCRIPTION	QTY.
1	9002524	T Type Complete Armrest, 8-12 in. Desk Length (Pair)	1
2	9002525	T Type Complete Armrest, 10-14 in. Desk Length (Pair)	1
3	9002526	T Type Complete Armrest, 8-12 in. Full Length (Pair)	1
4	9002527	T Type Complete Armrest, 10-14 in. Full Length (Pair)	1
5*	9002528	Flip Back Type 2 Complete Armrest, 8-12 in. Desk Length (Pair)	1
6*	9002529	Flip Back Type 2 Complete Armrest, 10-14 in. Desk Length (Pair)	1
7*	9002530	Flip Back Type 2 Complete Armrest, 8-12 in. Full Length (Pair)	1
8*	9002531	Flip Back Type 2 Complete Armrest, 10-14 in. Full Length (Pair)	1
9	9002937	T Type Complete Armrest, 8-12 in. Gel Pad, Full Length (Pair)	1
10	9002938	T Type Complete Armrest, 10-14 in. Gel Pad, Full Length (Pair)	1
11*	9002941	Flip Back Type 2 Complete Armrest, 8-12 in. Gel Pad, Full Length (Pair)	1
12*	9002942	Flip Back Type 2 Complete Armrest, 10-14 in. Gel Pad, Full Length (Pair)	1

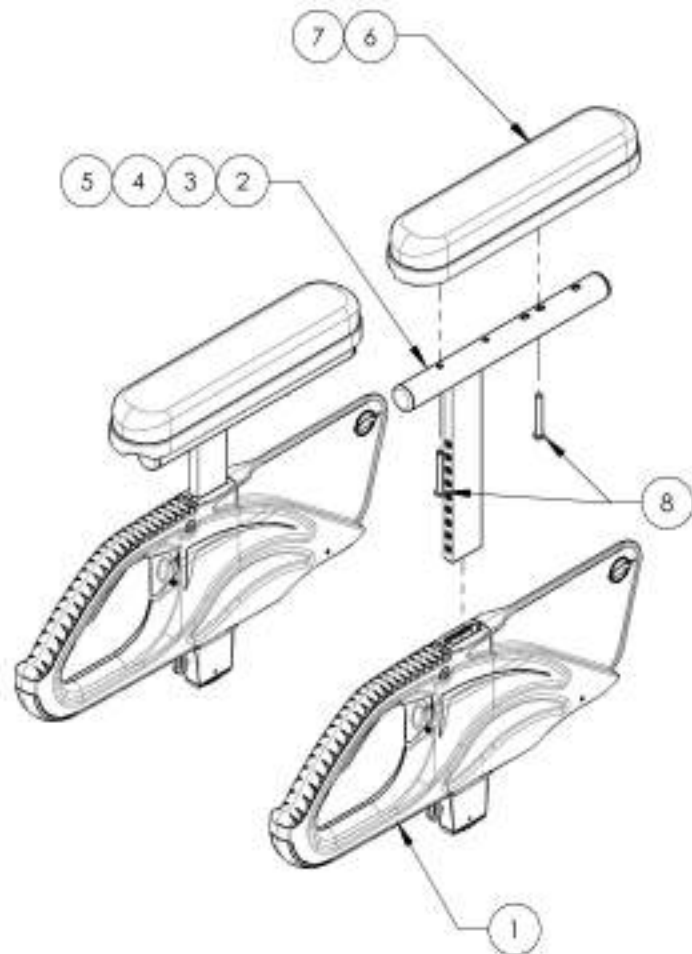
\*:NOT AVAILABLE FOR KIDS & APEX WHEELCHAIRS



MAKE SURE TO HAVE YOUR SERIAL NUMBER  
 NEARBY WHEN ORDERING PARTS FOR YOUR  
 MOTION COMPOSITES WHEELCHAIR

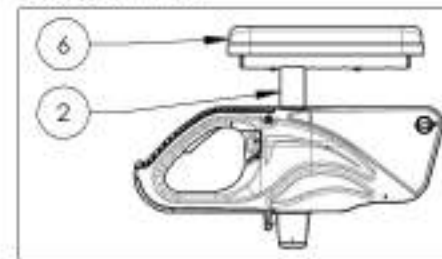
**9002524 9002527**

**T Type Complete Armrests, Desk & Full Length (Pair)**

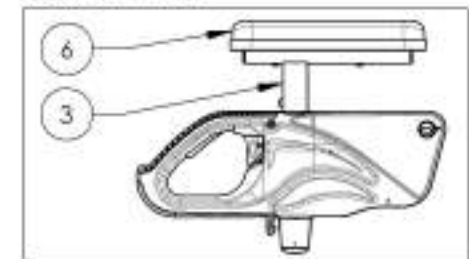


ITEM NO.	PARTNO	DESCRIPTION	9002524 /QTY.	9002525 /QTY.	9002526 /QTY.	9002527 /QTY.
1	33554	V2 ARMREST - MAIN BODY	2	2	2	2
2	33579	V2 ARMREST STRUCTURE 8-12" FOR DESK LENGTH - ASSEMBLY	2	-	-	-
3	33580	V2 ARMREST STRUCTURE 10-14" FOR DESK LENGTH - ASSEMBLY	-	2	-	-
4	33559	V2 ARMREST STRUCTURE 8-12" FOR FULL LENGTH - ASSEMBLY	-	-	2	-
5	33560	V2 ARMREST STRUCTURE 10-14" FOR FULL LENGTH - ASSEMBLY	-	-	-	2
6	33036	ARMREST DESK PAD	2	2	-	-
7	33039	ARMREST FULL LENGTH PAD	-	-	2	2
8	99013	SCREW PHILLIPS PAN HD #10_32 X 1_1_2 + BLUE THREADLOCKER	4	4	4	4

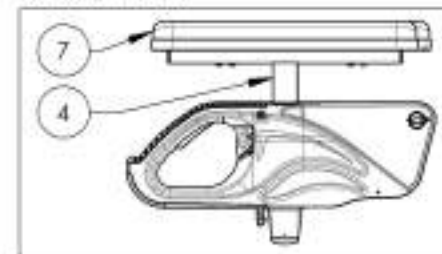
9002524  
T Type Complete Armrest, 8-12 in,  
Desk Length (Pair)



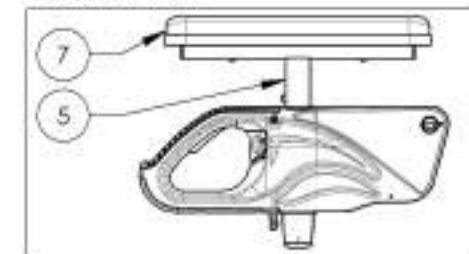
9002525  
T Type Complete Armrest, 10-14 in,  
Desk Length (Pair)



9002526  
T Type Complete Armrest, 8-12 in,  
Full Length (Pair)



9002527  
T Type Complete Armrest, 10-14 in,  
Full Length (Pair)

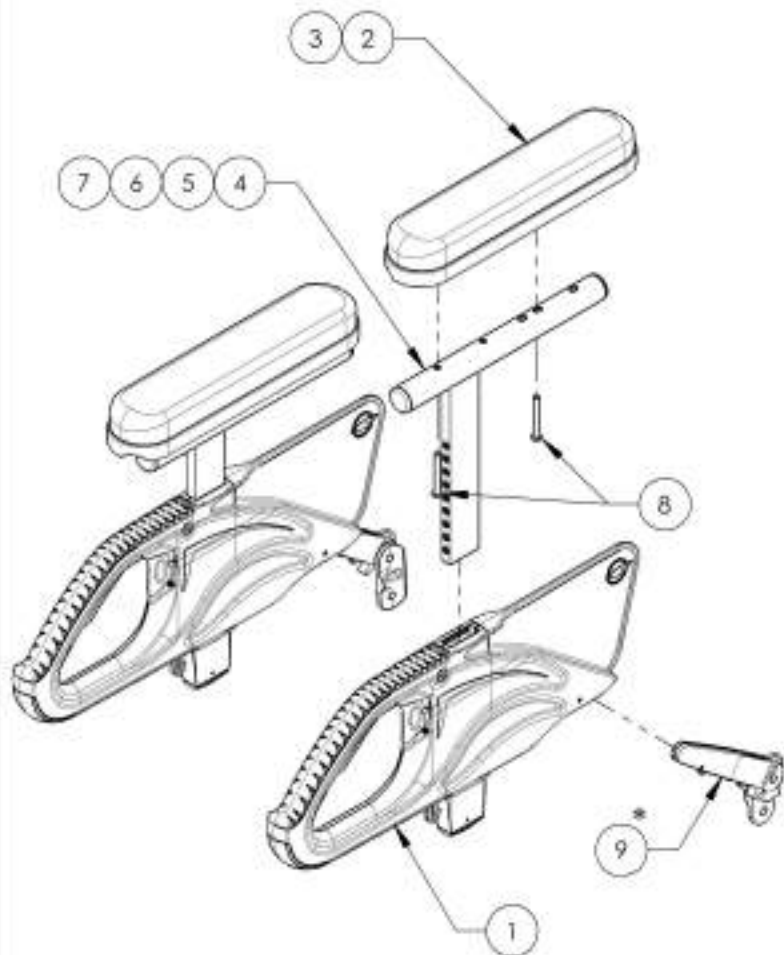


MAKE SURE TO HAVE YOUR SERIAL NUMBER NEARBY WHEN ORDERING PARTS FOR YOUR MOTION COMPOSITES WHEELCHAIR

**9002528 9002531**

**Flip Back Type 2 Complete Armrests, Desk & Full Length (Pair)**

ITEM NO.	PARTNO	DESCRIPTION	9002528 /QTY.	9002529 /QTY.	9002530 /QTY.	9002531 /QTY.
1	33054	V2 ARMREST - MAIN BODY	2	2	2	2
2	33038	ARMREST DESK PAD	2	2	-	-
3	33039	ARMREST FULL LENGTH PAD	-	-	2	2
4	33079	V2 ARMREST STRUCTURE 8-12" FOR DESK LENGTH - ASSEMBLY	2	-	-	-
5	33080	V2 ARMREST STRUCTURE 10-14" FOR DESK LENGTH - ASSEMBLY	-	2	-	-
6	33059	V2 ARMREST STRUCTURE 8-12" FOR FULL LENGTH - ASSEMBLY	-	-	2	-
7	33060	V2 ARMREST STRUCTURE 10-14" FOR FULL LENGTH - ASSEMBLY	-	-	-	2
8	99013	SCREW PHILLIPS PAN HD #10_32 X 1_1_2 + BLUE THREADLOCKER	4	4	4	4
9	33058	V2 ARMREST REAR PINOT - ASSEMBLY	2	2	2	2

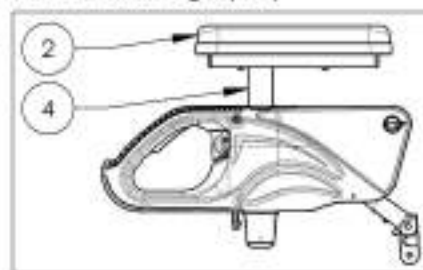


**\* DOUBLE TRIGGER INSTALLATION OPTIONS**

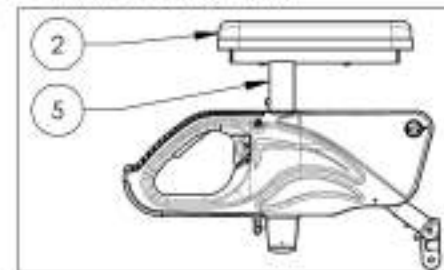
STANDARD RELEASE	LOCK POSITION
<b>DETAIL A</b>	<b>DETAIL B</b>

NOTICE THE DIRECTION OF THE DIAMOND SHAPE ON THE TRIGGER, HIS DISTANCE FROM THE SCREW INDICATES THE CONFIGURATION USED

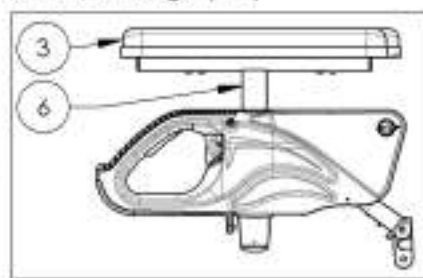
**9002528**  
Flip Back Type 2 Complete Armrest,  
8-12 in, Desk Length (Pair)



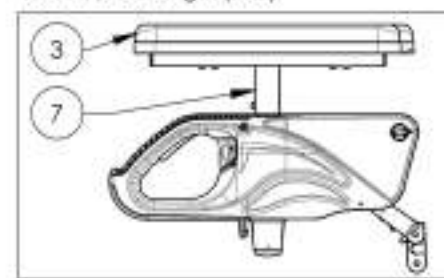
**9002529**  
Flip Back Type 2 Complete Armrest,  
10-14 in, Desk Length (Pair)



**9002530**  
Flip Back Type 2 Complete Armrest,  
8-12 in, Full Length (Pair)



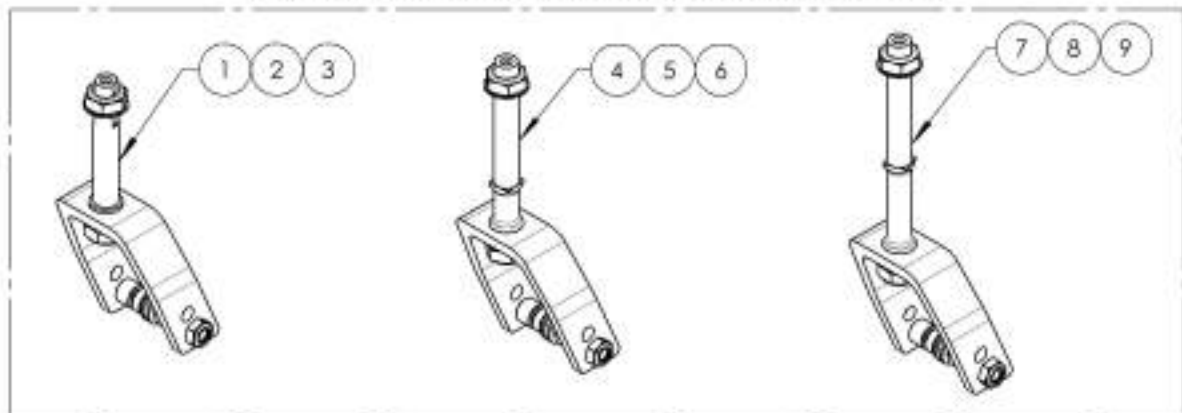
**9002531**  
Flip Back Type 2 Complete Armrest,  
10-14 in, Full Length (Pair)



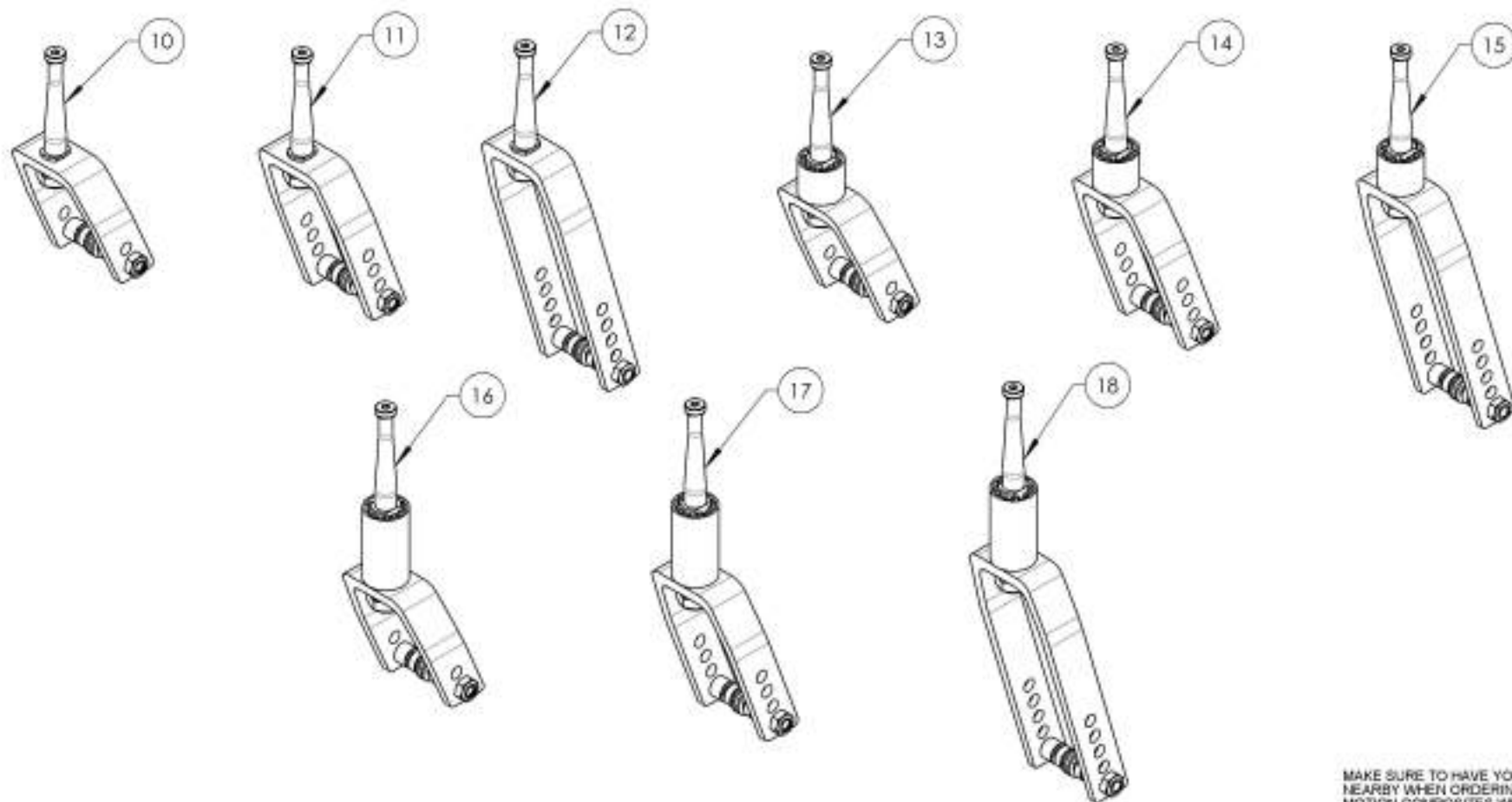
MAKE SURE TO HAVE YOUR SERIAL NUMBER NEARBY WHEN ORDERING PARTS FOR YOUR MOTION COMPOSITES WHEELCHAIR

**Quick Order Catalogue  
Fork Assembly**

**OLD STEM BOLT DESIGN  
(MUST BE VALIDATE WITH CUSTOMER SERVICE)**



ITEM NO.	PARTNO	DESCRIPTION	QTY.
1	9002185	Fork - 4 in, STD Stem bolt + Hardware	1
2	9002186	Fork - 5 in, STD Stem bolt + Hardware	1
3	9002187	Fork - 7 in, STD Stem bolt + Hardware	1
4	9002188	Fork - 4 in, Stem bolt +1 in + Hardware	1
5	9002189	Fork - 5 in, Stem bolt +1 in + Hardware	1
6	9002190	Fork - 7 in, Stem bolt +1 in + Hardware	1
7	9002191	Fork - 4 in, Stem bolt +2 in + Hardware	1
8	9002192	Fork - 5 in, Stem bolt +2 in + Hardware	1
9	9002193	Fork - 7 in, Stem bolt +2 in + Hardware	1
10	9002900	Fork - 4 in, STD Stem Bolt, Anti-Flutter + Hardware	1
11	9002901	Fork - 5 in, STD Stem Bolt, Anti-Flutter + Hardware	1
12	9002902	Fork - 7 in, STD Stem Bolt, Anti-Flutter + Hardware	1
13	9002903	Fork - 4 in, Stem Bolt +1 in, Anti-Flutter + Hardware	1
14	9002904	Fork - 5 in, Stem Bolt +1 in, Anti-Flutter + Hardware	1
15	9002905	Fork - 7 in, Stem Bolt +1 in, Anti-Flutter + Hardware	1
16	9002906	Fork - 4 in, Stem Bolt +2 in, Anti-Flutter + Hardware	1
17	9002907	Fork - 5 in, Stem Bolt +2 in, Anti-Flutter + Hardware	1
18	9002908	Fork - 7 in, Stem Bolt +2 in, Anti-Flutter + Hardware	1

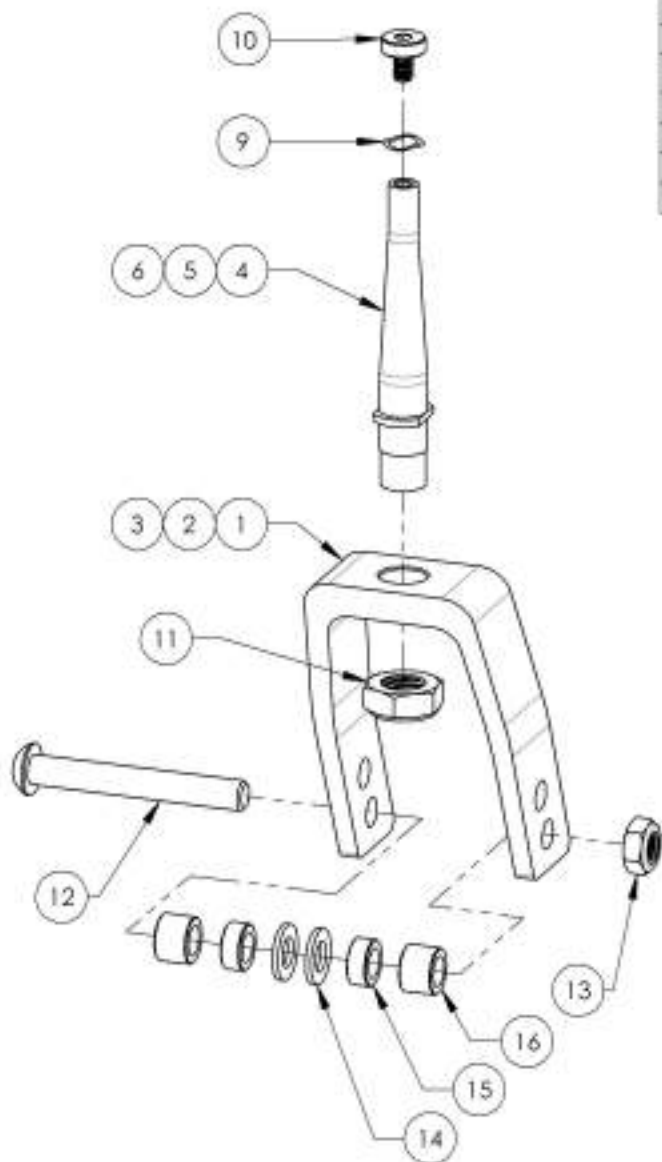


MAKE SURE TO HAVE YOUR SERIAL NUMBER  
NEARBY WHEN ORDERING PARTS FOR YOUR  
MOTION COMPOSITES WHEELCHAIR

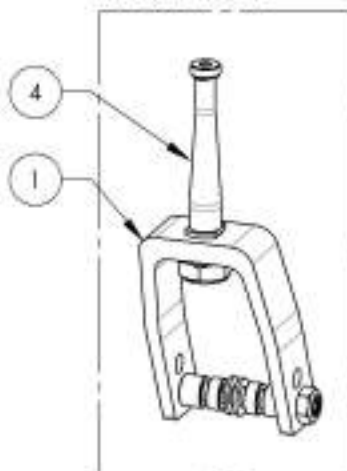
**9002900\_9002908**  
**Fork - Stem Bolt, Anti-Flutter + Hardware**

**APPLICABLE ON WHEELCHAIRS  
 SINCE 2017/02/13**

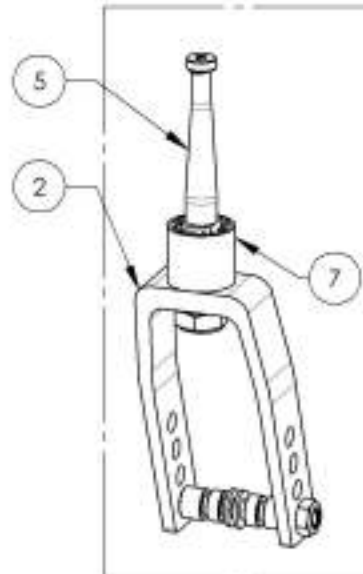
ITEM NO.	PARTNO	DESCRIPTION	9002900 /QTY.	9002901 /QTY.	9002902 /QTY.	9002903 /QTY.	9002904 /QTY.	9002905 /QTY.	9002906 /QTY.	9002907 /QTY.	9002908 /QTY.
1	22106	FORK 4x2in	1	-	-	1	-	-	1	-	-
2	22107	FORK 5x2in	-	1	-	-	1	-	-	1	-
3	22109	FORK 7x2in	-	-	1	-	-	1	-	-	1
4	22090	STEM BOLT STD	1	1	1	-	-	-	-	-	-
5	22091	STEM BOLT + 1 in	-	-	-	1	1	1	-	-	-
6	22092	STEM BOLT + 2 in	-	-	-	-	-	-	1	1	1
7	22149	STEM BOLT COVER +1 in	-	-	-	1	1	1	-	-	-
8	22150	STEM BOLT COVER +2 in	-	-	-	-	-	-	1	1	1
9	22095	TRIPLE-WAVE STEEL WASHER 0.320in ID, 0.437in OD	1	1	1	1	1	1	1	1	1
10	91038	STEM BOLT TOP SCREW	1	1	1	1	1	1	1	1	1
11	90992	M2 LOW NYLON LOCK	1	1	1	1	1	1	1	1	1
12	90685	BUTTON HEAD CAP SCREW M8X1.25 X 60mm (LONG, 28mm THREADED + BLUE THREADLOCKER - BLACK ZINC	1	1	1	1	1	1	1	1	1
13	90990	M8 LOW NYLON LOCK	1	1	1	1	1	1	1	1	1
14	99590	WASHER 5/16 - 21/64 ID X 19/32 OD X .062THK	2	2	2	2	2	2	2	2	2
15	22028	CASTER SPACER SMALL	2	2	2	2	2	2	2	2	2
16	22029	CASTER SPACER LARGE	2	2	2	2	2	2	2	2	2



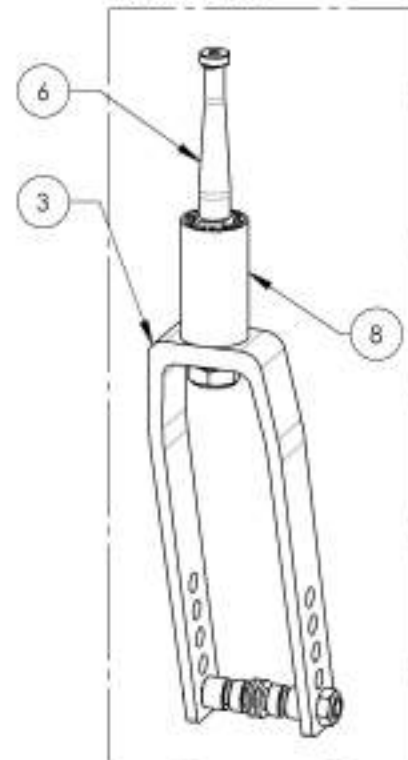
WITH 4" FORK AND  
 STD STEM BOLT



WITH 5" FORK AND  
 +1" STEM BOLT



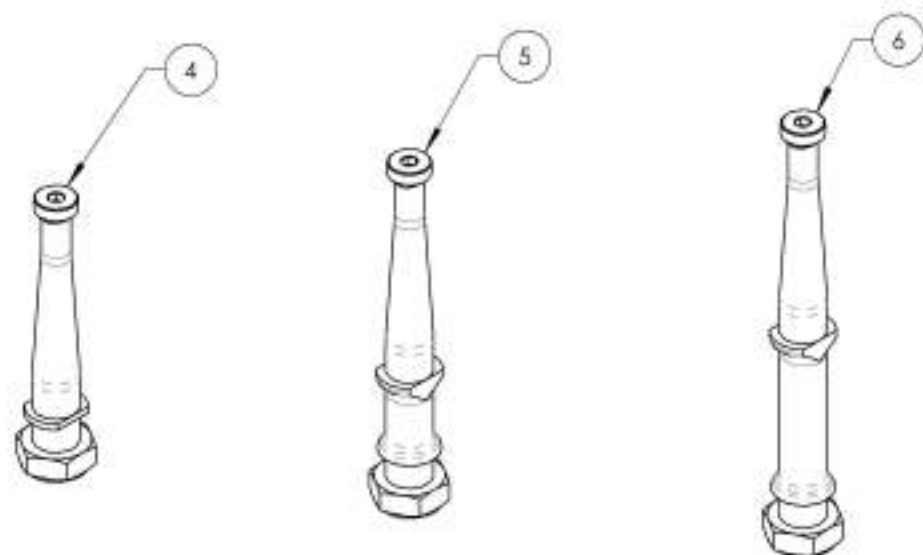
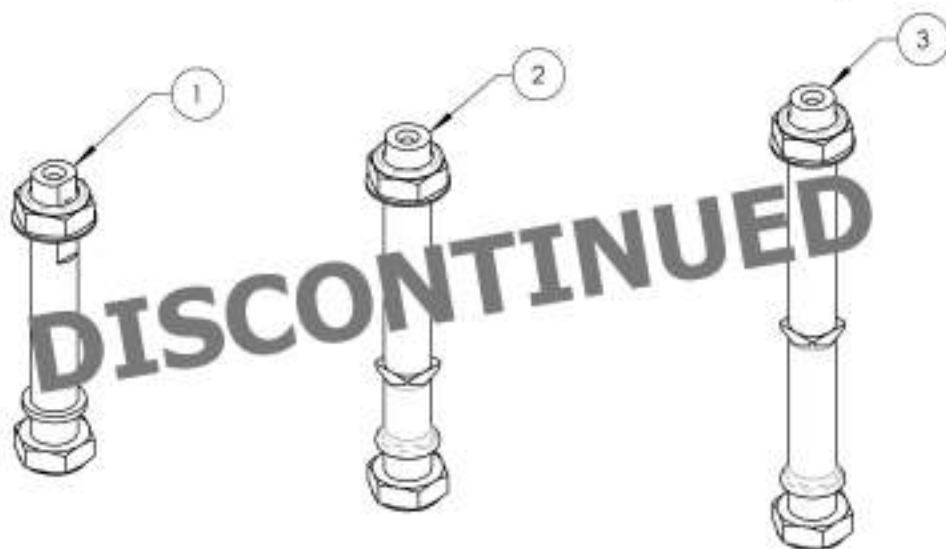
WITH 7" FORK AND  
 +2" STEM BOLT



MAKE SURE TO HAVE YOUR SERIAL NUMBER  
 NEARBY WHEN ORDERING PARTS FOR YOUR  
 MOTION COMPOSITES WHEELCHAIR

**Quick Order Catalogue  
Stem Bolt Assembly**

**REPLACED BY #9002943 TO #9002945**



ITEM NO.	PARTNO	DESCRIPTION	QTY.
1	9002161	Stem Bolt Standard	1
2	9002163	Stem Bolt +1 in. Anti-Flutter	1
3	9002163	Stem Bolt +2 in. + Hardware	1
4	9002943	Stem Bolt Standard, Anti-Flutter + Hardware	1
5	9002944	Stem Bolt +1 in. Anti-Flutter + Hardware	1
6	9002945	Stem Bolt +2 in. Anti-Flutter + Hardware	1

MAKE SURE TO HAVE YOUR SERIAL NUMBER  
NEARBY WHEN ORDERING PARTS FOR YOUR  
MOTION COMPOSITES WHEELCHAIR

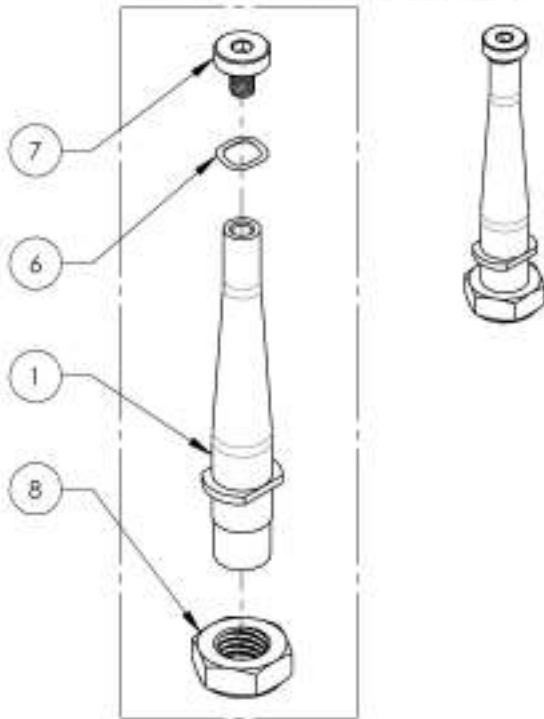
**9002943\_9002945**  
**Stem Bolt, Anti-Flutter + Hardware**

**APPLICABLE ON WHEELCHAIRS  
 SINCE 2017/02/13**

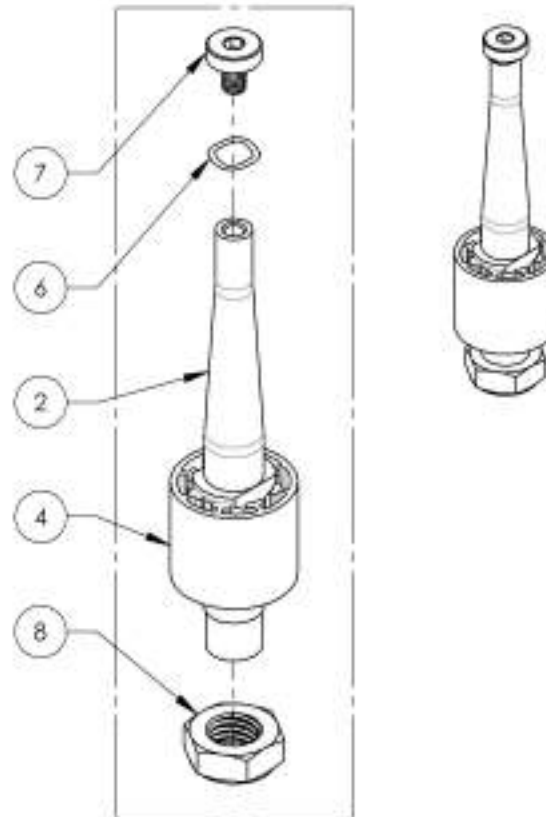
**APPLICABLE ON MOVE  
 WHEELCHAIRS SINCE 2018/03/22**

ITEM NO.	PARTNO	DESCRIPTION	9002943 /QTY.	9002944 /QTY.	9002945 /QTY.
1	22090	STEM BOLT STD	1	-	-
2	22091	STEM BOLT + 1 in	-	1	-
3	22092	STEM BOLT + 2 in	-	-	1
4	22149	STEM BOLT COVER +1 in	-	1	-
5	22150	STEM BOLT COVER +2 in	-	-	1
6	22095	TRIPLE-WAVE STEEL WASHER 0.300in ID, 0.437in OD	1	1	1
7	91038	MACHINE SCREW M5X0.8 X 12mm	1	1	1
8	90992	M12 LOW NYLON LOCK	1	1	1

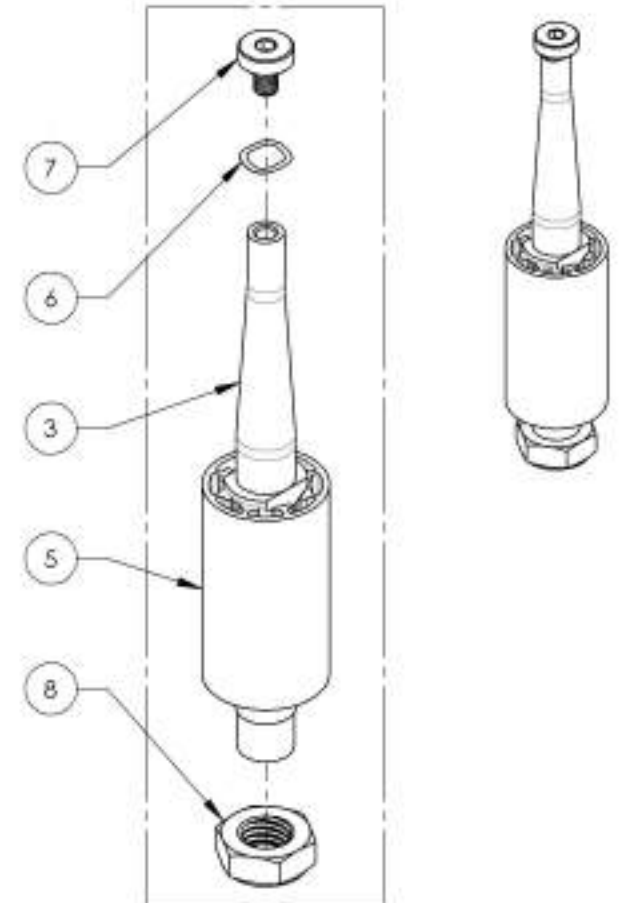
9002943  
 Stem Bolt Standard, Anti-Flutter + Hardware



9002944  
 Stem Bolt +1 in, Anti-Flutter + Hardware



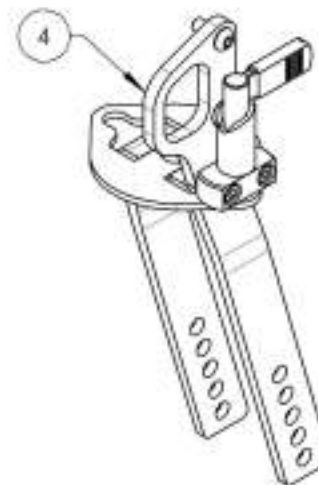
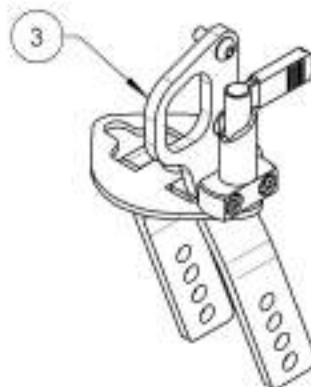
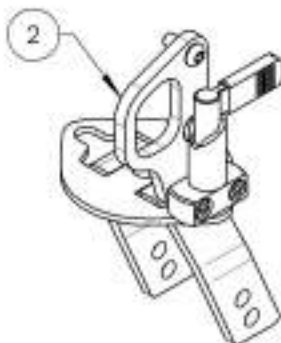
9002945  
 Stem Bolt +2 in, Anti-Flutter + Hardware



MAKE SURE TO HAVE YOUR SERIAL NUMBER  
 NEARBY WHEN ORDERING PARTS FOR YOUR  
 MOTION COMPOSITES WHEELCHAIR

**Quick Order Catalogue  
Caster Lock Pin Assembly**

ITEM NO.	PARTNO	DESCRIPTION	QTY
1	9002918	Fork - 3 in, Wheelchair Transit Tie Down, With +1 in Caster Lock Pin	1
2	9002919	Fork - 4 in, Wheelchair Transit Tie Down, With +1 in Caster Lock Pin	1
3	9002920	Fork - 5 in, Wheelchair Transit Tie Down, With +1 in Caster Lock Pin	1
4	9002921	Fork - 7 in, Wheelchair Transit Tie Down, With +1 in Caster Lock Pin	1
5	9002922	Fork - 3 in, Wheelchair Transit Tie Down, With +2 in Caster Lock Pin	1
6	9002923	Fork - 4 in, Wheelchair Transit Tie Down, With +2 in Caster Lock Pin	1
7	9002924	Fork - 5 in, Wheelchair Transit Tie Down, With +2 in Caster Lock Pin	1
8	9002925	Fork - 7 in, Wheelchair Transit Tie Down, With +2 in Caster Lock Pin	1



MAKE SURE TO HAVE YOUR SERIAL NUMBER  
NEARBY WHEN ORDERING PARTS FOR YOUR  
MOTION COMPOSITES WHEELCHAIR



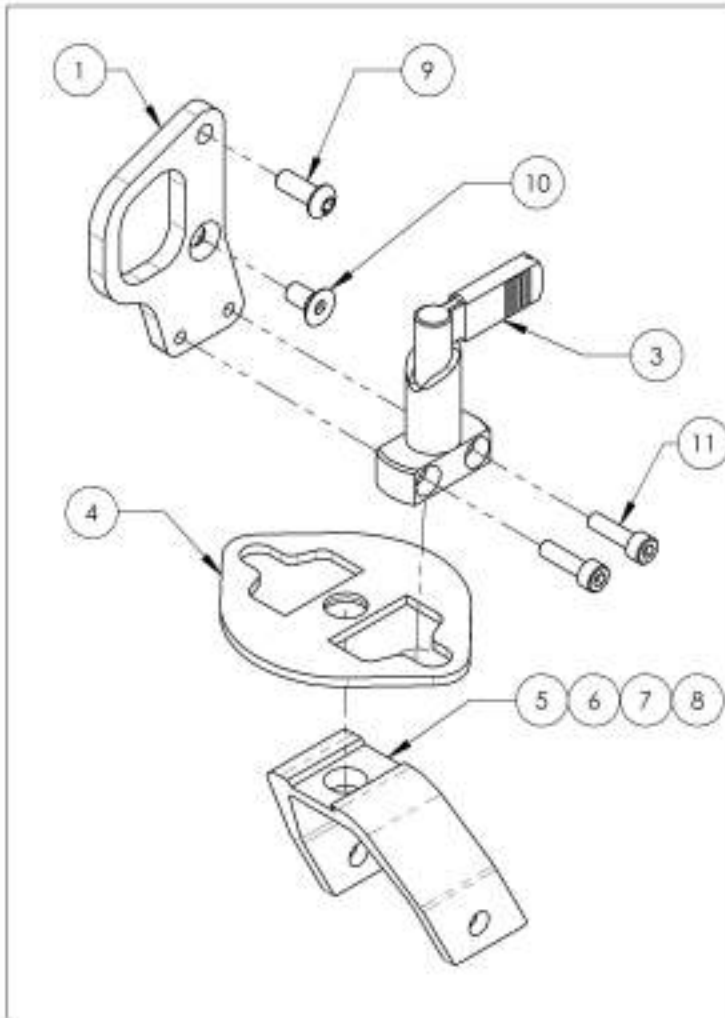
**9002918\_9002925**

**Fork - Wheelchair Transit Tie Down, With Caster Lock Pin**

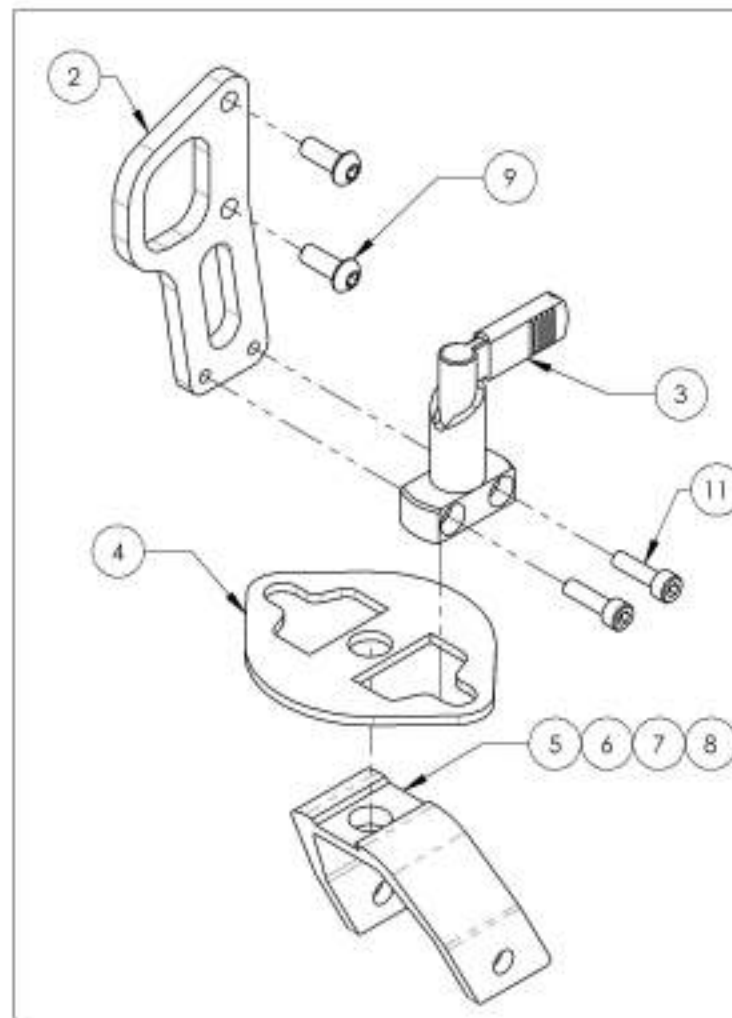
**\* 9002918 and 9002922 are discontinued**

ITEM NO.	PARTNO	DESCRIPTION	9002918 /QTY.*	9002919 /QTY.	9002920 /QTY.	9002921 /QTY.	9002922 /QTY.*	9002923 /QTY.	9002924 /QTY.	9002925 /QTY.
1	22061	FRONT TIE DOWN +1 FOR CASTER LOCK PIN	1	1	1	1	-	-	-	-
2	22062	FRONT TIE DOWN +2 FOR CASTER LOCK PIN	-	-	-	-	1	1	1	1
3	22063	SLIDER LOCK FOR CASTER LOCK PIN	1	1	1	1	1	1	1	1
4	22060	CASTER LOCK PIN PLATE	1	1	1	1	1	1	1	1
5	22067	3"x1" W" MACHINED FORK FOR CASTER LOCK PIN	1	-	-	-	1	-	-	-
6	22064	4"x2" MACHINED FORK FOR CASTER LOCK PIN	-	1	-	-	-	1	-	-
7	22065	5"x2" MACHINED FORK FOR CASTER LOCK PIN	-	-	1	-	-	-	1	-
8	22066	7"x2" MACHINED FORK FOR CASTER LOCK PIN	-	-	-	1	-	-	-	1
9	90659	BUTTON HEAD CAP SCREW M6X1 X 16mm LONG, FULLY THREADED + BLUE THREADLOCKER - BLACK ZINC	1	1	1	1	2	2	2	2
10	90664	FLAT HEAD CAP SCREW M6X1 X 12mm LONG, FULLY THREADED + BLUE LOCTITE	1	1	1	1	-	-	-	-
11	90748	SOCKET CAP SCREW M5X0.8 X 18mm LONG, FULLY THREADED + BLUE THREADLOCKER - BLACK ZINC	2	2	2	2	2	2	2	2

Front Wheelchair Transit Tie Down With Fork & +1" Castor Lock Pin



Front Wheelchair Transit Tie Down With Fork & +2" Castor Lock Pin



MAKE SURE TO HAVE YOUR SERIAL NUMBER NEARBY WHEN ORDERING PARTS FOR YOUR MOTION COMPOSITES WHEELCHAIR