

Frames Catalogue

CHRONOS FRAME ASSEMBLY	1
------------------------	---

Front Wheels Catalogue

FRONT CASTER WHEELS	6
FORKS	7
CASTER LOCK PIN	8
HARDWARE	12
MULTI-POSITION INSERT ANTI-FLUTTER CASTER HOUSING	13

Footrests Catalogue

FOOTPLATES	17
ROLLER BUMPER	30
FOOTRESTS - SWING-OUT	32
CALF STRAPS	41
BODYPOINT AEROMESH CALF SUPPORTS	45
ELEVATING LEGRESTS - SWING-OUT	46
PIVOT EXTENSION KIT	49
CALF PAD - COMPLETE ASSEMBLY	51
RESIDUAL LIMB SUPPORT - SWING-OUT	54
HIGH MOUNT, EXTENSION WITH CLAMPS	59

Backrests Catalogue

ALUMINUM BACK CANES	61
BACK CANE HARDWARE (ALU FRAME)	64
BACK CANE HARDWARE (L TYPE ARMREST)	70
BACK CANE HARDWARE (DEPTH ADJ. BACK CANE)	73
PUSH HANDLES & STRAIGHT EXTENSION	76
INTEGRATED PUSH HANDLE BACK CANES	80
NEWTON FOLDING STABILIZER BAR	84
STROLLER HANDLES	86
HEAD RESTS	88
PUSH HANDLES FOR HEAD RESTS	91

Upholsteries & Seatings Catalogue

BACK UPHOLSTERY - SLIP ON & TENSION BACK	96
SLIDING SEAT SLINGS TYPE 2	99
CUSHIONS	101

Rear Wheels Catalogue

REAR WHEELS & SPOKES	104
SPINERGY REAR WHEELS	105
SPINERGY CLX BLADE REAR WHEELS	106
TIRES	107
HANDRIMS	108
SURGE AND NATURAL FIT HANDRIMS	109
OBLIQUE PROJECTION HANDRIMS	110
NEWTON AIR GRIP HANDRIMS	111
BBRAVER HANDRIMS	112
HANDRIM HARDWARE	113
FLAT FREE INSERTS	115

SPOKE GUARDS	116
REAR WHEELS + TIRES	118
QUICK RELEASE & PERMANENT AXLE	122
6 POSITIONS MOUNTING PLATES T2	125
REAR BUSHING ASSEMBLY	127
AMPUTEE ADJUSTABLE AXLE PLATE FOR 6 POSITIONS MOUNTING PLATE T2	128

Wheel Locks Catalogue

WHEEL LOCK - PUSH & PULL	132
WHEEL LOCK - PUSH & PULL WITH EXTENDED RAIL	137
WHEEL LOCK - SCISSOR	142
WHEEL LOCK - GRADE AID	144
WHEEL LOCK - GRADE AID WITH EXTENDED RAIL	147
WHEEL LOCK - CLAMPS	150
FOOTREST STOPPER	152
ATTENDENT WHEEL LOCK KIT	154

Armrests Catalogue

ARMRESTS	156
FLIP BACK REAR PIVOT TYPE 2	171
ARMRESTS - SWING AWAY RECEIVER	176

Sideguards Catalogue

SIDEGUARDS	178
FENDER SIDEGUARDS	185
PLASTIC INSERT FOR V2 RECEIVER	190
SIDEGUARD - CLOTH	192

Seatbelts Catalogue

POSITIONING SEATBELTS	193
POSITIONING SEATBELTS - BODYPOINT	196
HIP BELT - BODYPOINT EVOFLEX	198
POSITIONING SEATBELTS - ADDITIONAL HARDWARE (2 COMPOSITES CLAMPS)	200

Accessories Catalogue

ANTI-TIPPERS	202
CANE HOLDERS	207
OXYGEN TANK HOLDER	209
FOOTREST NEOPREN IMPACT GUARDS	211
CLOSING STRAPS	212
NEWTON BACKPACK	213
BODYPOINT MOBILITY BAG	214
SEAT POUCH	215
TOOL KIT	216

Color Options Catalogue

STICKERS - CHRONOS & COBALT	218
COLOR SWATCH (RAMQ)	219
COLOR TOUCH-UP	220

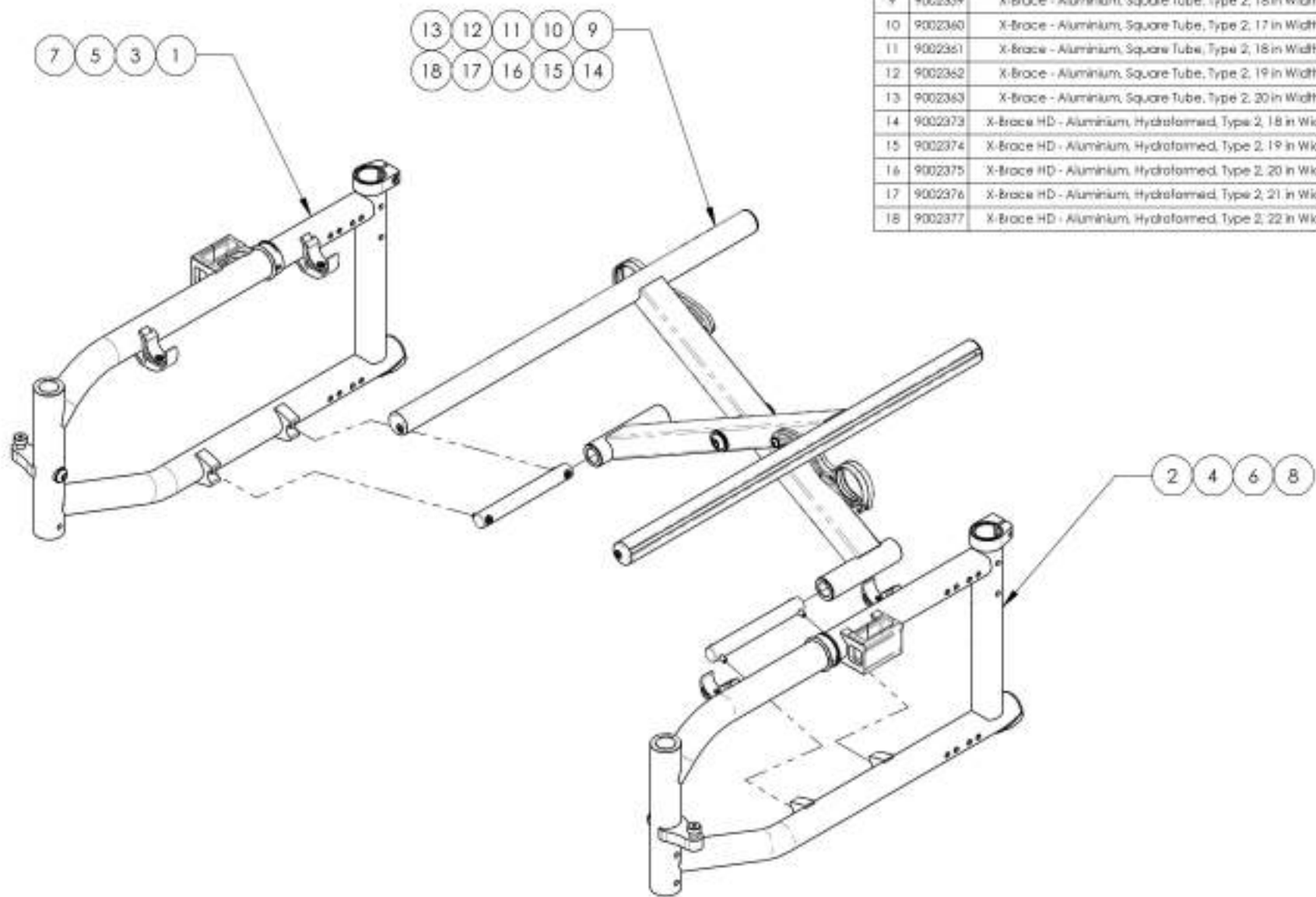
Quick Orders Catalogue

REAR WHEEL ASSEMBLY	221
---------------------	-----

WHEEL LOCK PAIR ASSEMBLY	223
LINK + HARDWARE	231
FOOTREST - SWING-OUT + SHORT EXT. & FOOTPLATE	233
FOOTREST - SWING-OUT + LONG EXT. & FOOTPLATE	238
COMPLETE ELEVATING LEGREST, SWING-OUT + COMPOSITE FOOTPLATE	243
FLIP BACK TYPE 2 COMPLETE ARMREST	246
COMPLETE ARMREST ASSEMBLY TYPE 2 (PAIR)	249
FORK ASSEMBLY	252
STEM BOLT ASSEMBLY	254
CASTER LOCK PIN ASSEMBLY	256

Frame Catalogue
Chronos Frame Assembly

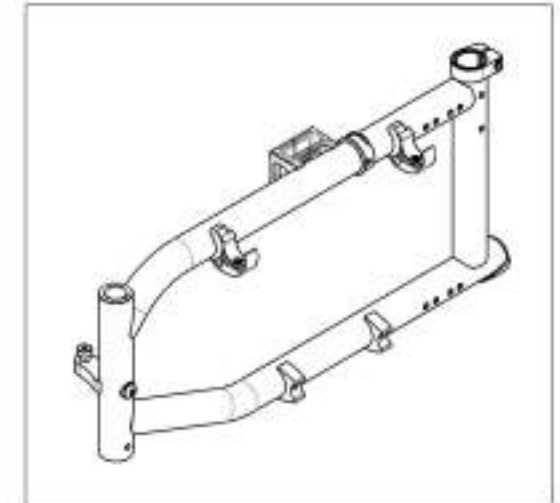
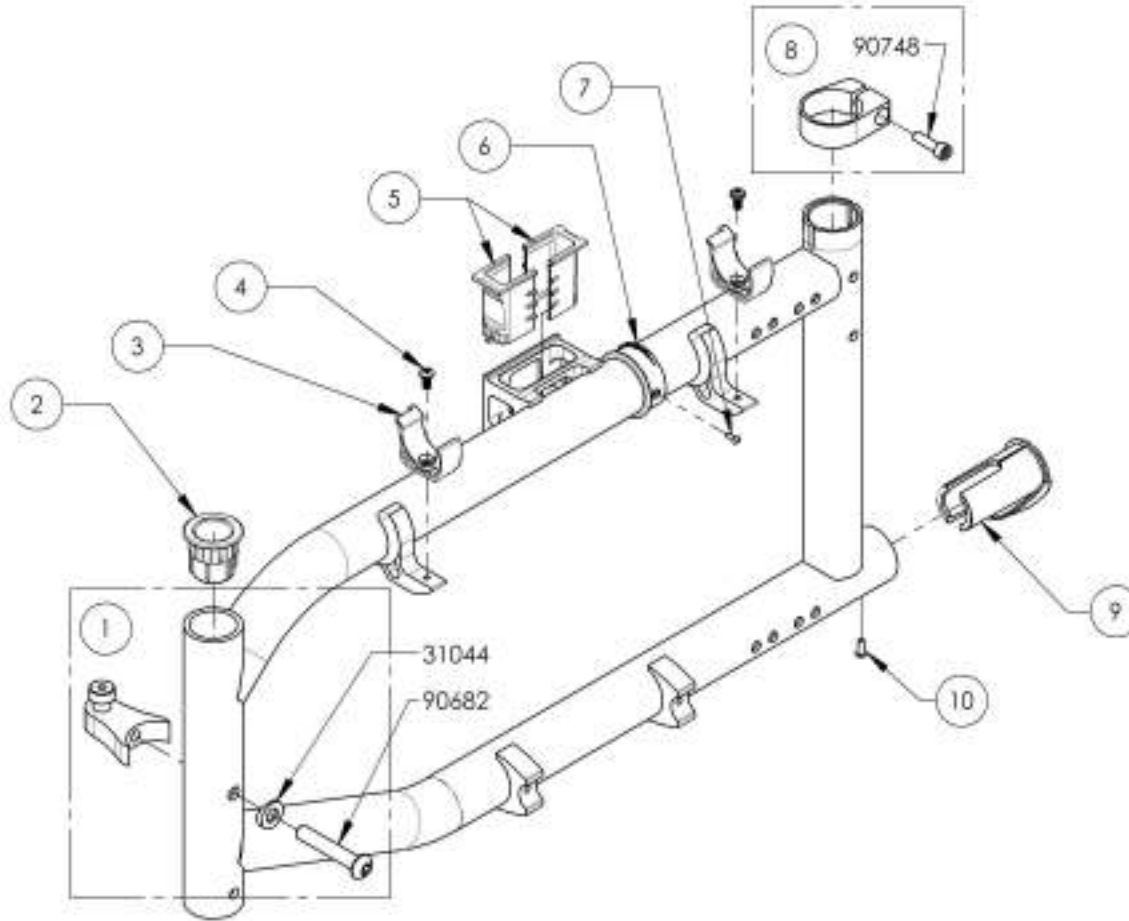
ITEM NO.	PARTNO	DESCRIPTION	QTY
1	9002287	Frame - Aluminium, Type 2, Right, 16 in Seat Depth, Regular - Black	1
2	9002294	Frame - Aluminium, Type 2, Left, 16 in Seat Depth, Regular - Black	1
3	9002288	Frame - Aluminium, Type 2, Right, 17 in Seat Depth, Regular - Black	1
4	9002295	Frame - Aluminium, Type 2, Left, 17 in Seat Depth, Regular - Black	1
5	9002289	Frame - Aluminium, Type 2, Right, 18 in Seat Depth, Regular - Black	1
6	9002296	Frame - Aluminium, Type 2, Left, 18 in Seat Depth, Regular - Black	1
7	9002291	Frame - Aluminium, Type 2, Right, 20 in Seat Depth, Regular - Black	1
8	9002298	Frame - Aluminium, Type 2, Left, 20 in Seat Depth, Regular - Black	1
9	9002359	X-Brace - Aluminium, Square Tube, Type 2, 16 in Width (Specify Seat Depth)	1
10	9002360	X-Brace - Aluminium, Square Tube, Type 2, 17 in Width (Specify Seat Depth)	1
11	9002361	X-Brace - Aluminium, Square Tube, Type 2, 18 in Width (Specify Seat Depth)	1
12	9002362	X-Brace - Aluminium, Square Tube, Type 2, 19 in Width (Specify Seat Depth)	1
13	9002363	X-Brace - Aluminium, Square Tube, Type 2, 20 in Width (Specify Seat Depth)	1
14	9002373	X-Brace HD - Aluminium, Hydroformed, Type 2, 18 in Width (Specify Seat Depth)	1
15	9002374	X-Brace HD - Aluminium, Hydroformed, Type 2, 19 in Width (Specify Seat Depth)	1
16	9002375	X-Brace HD - Aluminium, Hydroformed, Type 2, 20 in Width (Specify Seat Depth)	1
17	9002376	X-Brace HD - Aluminium, Hydroformed, Type 2, 21 in Width (Specify Seat Depth)	1
18	9002377	X-Brace HD - Aluminium, Hydroformed, Type 2, 22 in Width (Specify Seat Depth)	1



MAKE SURE TO HAVE YOUR SERIAL NUMBER
 NEARBY WHEN ORDERING PARTS FOR YOUR
 MOTION COMPOSITES WHEELCHAIR

9002287 9002291
Frame - Aluminium, Type 2, Right - Black

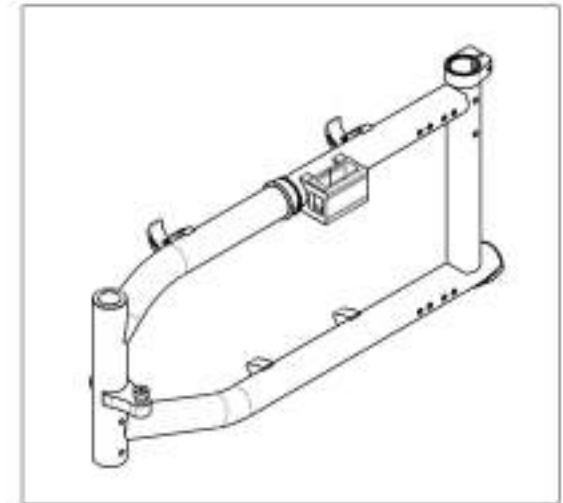
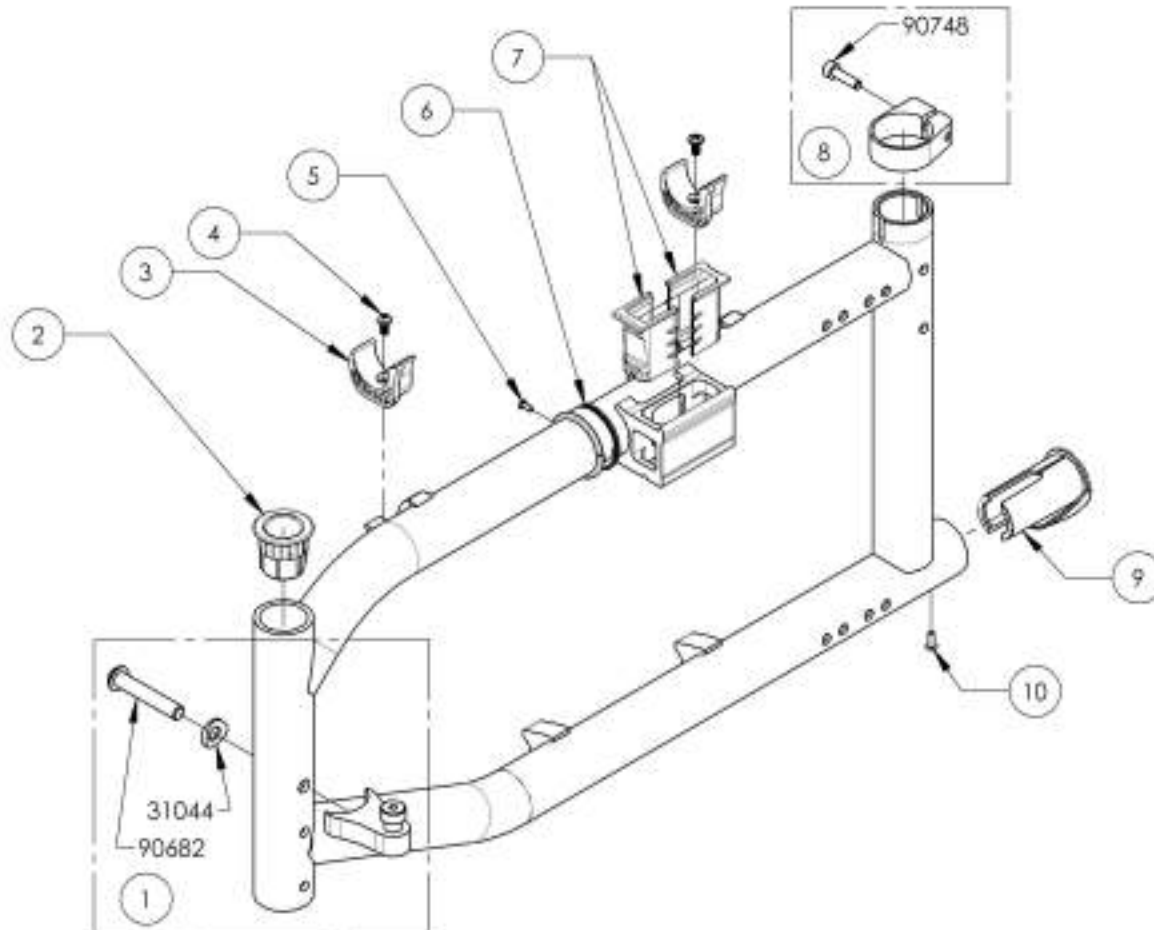
ITEM NO.	PARTNO	DESCRIPTION	QTY
1	31510	C1 V-BLOCK - ASSEMBLY	1
2	11013	FOOTREST RIVOT SLEEVE	1
3	21023	H-BLOCK V2	2
4	90988	PAN HEAD PHILLIPS MACHINE SCREW M4 X 0.7 X 8mm + BLUE THREADLOCKER	2
5	33112	V2 ARMREST U CLAMP SLEEVE	2
6	12140	LINK GUIDE	1
7	99660	POP RIVET 3_32 D X .365 L X .126_250	1
8	30538	BACKREST CLAMP ID 30mm - ASSEMBLY	1
9	11033	ANTI-FIPPER BUMPER SLEEVE ALU FRAME	1
10	99661	POP RIVET 1_8 DIA X .308 LGHT (.126_187 GRP)	1



MAKE SURE TO HAVE YOUR SERIAL NUMBER
 NEARBY WHEN ORDERING PARTS FOR YOUR
 MOTION COMPOSITES WHEELCHAIR

9002294 9002298
Frame - Aluminium, Type 2, Left - Black

ITEM NO.	PART NO	DESCRIPTION	QTY
1	31510	C1 V-BLOCK - ASSEMBLY	1
2	11013	FOOTREST RIVOT SLEEVE	1
3	21023	H-BLOCK V2	2
4	90988	PAN HEAD PHILLIPS MACHINE SCREW M4 X 0.7 X 8mm + BLUE THREADLOCKER	2
5	99660	POP RIVET 3_32 D X .365 L X .126_250	1
6	12140	LINK GUIDE	1
7	33112	V2 ARMREST U CLAMP SLEEVE	2
8	32538	BACKREST CLAMP ID 32mm - ASSEMBLY	1
9	11033	ANTI-FIPPER BUMPER SLEEVE ALU FRAME	1
10	99661	POP RIVET 1_8 DIA X .328 LGHT (.126_187 GRP)	1

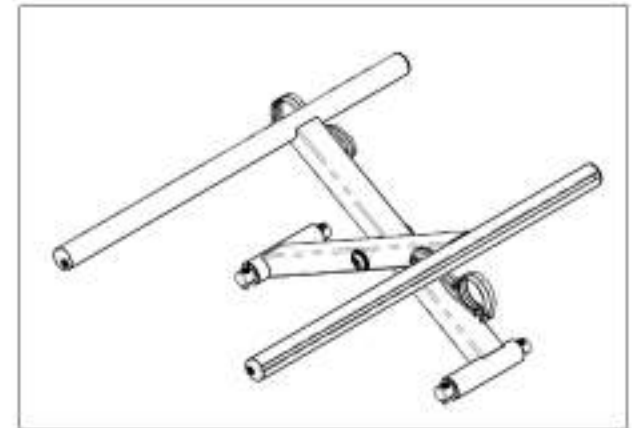
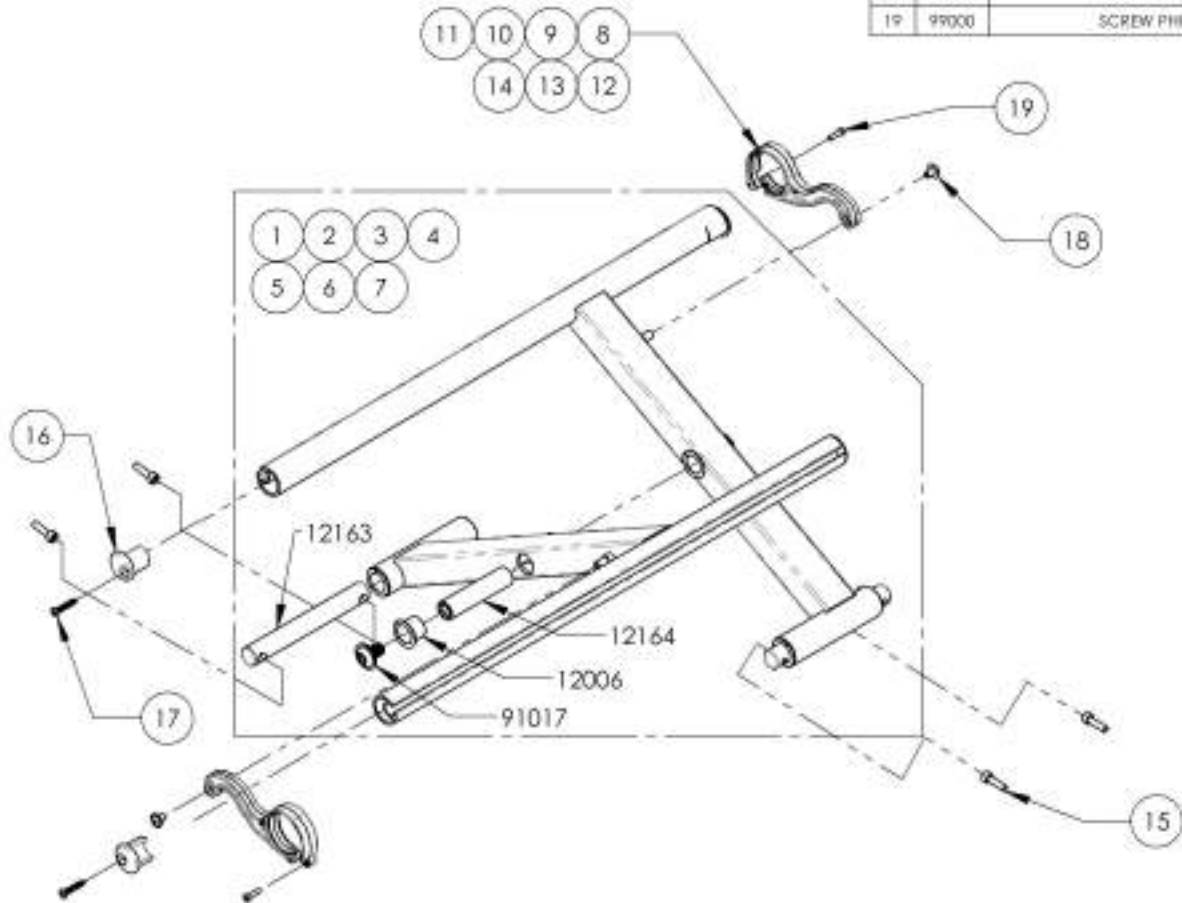


MAKE SURE TO HAVE YOUR SERIAL NUMBER
 NEARBY WHEN ORDERING PARTS FOR YOUR
 MOTION COMPOSITES WHEELCHAIR

9002357_9002363

X-Brace - Aluminium, Square Tube, Type 2 (Specify Seat Depth)

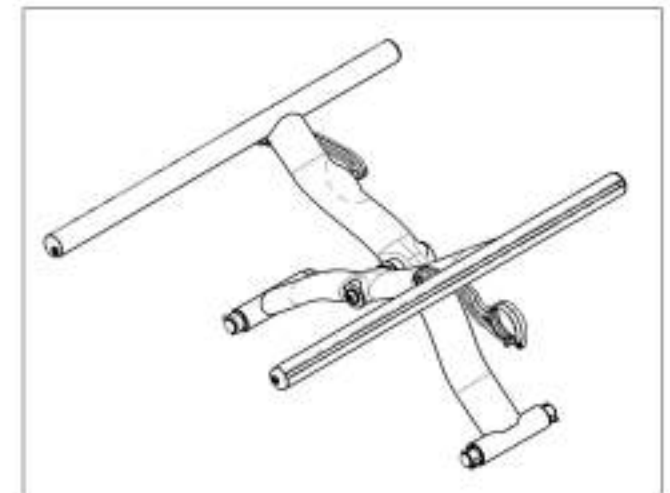
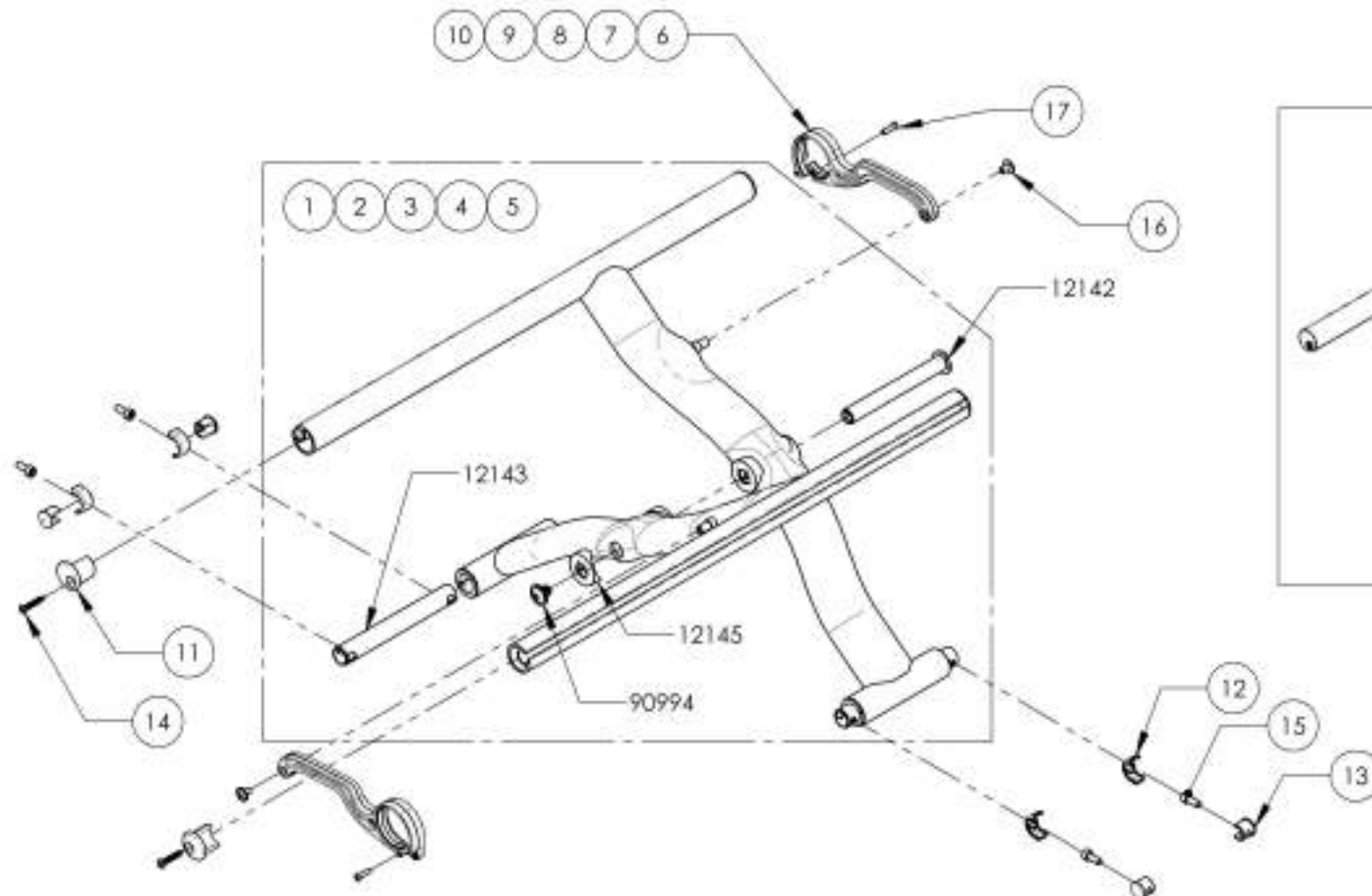
ITEM NO.	PARTNO	DESCRIPTION	9002357 /QTY.	9002358 /QTY.	9002359 /QTY.	9002360 /QTY.	9002361 /QTY.	9002362 /QTY.	9002363 /QTY.
1	10544	SQUARE TUBE XBRACE 14in - PAIR ASSEMBLY	1	-	-	-	-	-	-
2	10545	SQUARE TUBE XBRACE 15in - PAIR ASSEMBLY	-	1	-	-	-	-	-
3	10546	SQUARE TUBE XBRACE 16in - PAIR ASSEMBLY	-	-	1	-	-	-	-
4	10547	SQUARE TUBE XBRACE 17in - PAIR ASSEMBLY	-	-	-	1	-	-	-
5	10548	SQUARE TUBE XBRACE 18in - PAIR ASSEMBLY	-	-	-	-	1	-	-
6	10549	SQUARE TUBE XBRACE 19in - PAIR ASSEMBLY	-	-	-	-	-	1	-
7	10550	SQUARE TUBE XBRACE 20in - PAIR ASSEMBLY	-	-	-	-	-	-	1
8	12154	14in A7_C2 LINK	2	-	-	-	-	-	-
9	12155	15in A7_C2 LINK	-	2	-	-	-	-	-
10	12156	16in A7_C2 LINK	-	-	2	-	-	-	-
11	12157	17in A7_C2 LINK	-	-	-	2	-	-	-
12	12158	18in A7_C2 LINK	-	-	-	-	2	-	-
13	12159	19in A7_C2 LINK	-	-	-	-	-	2	-
14	12160	20in A7_C2 LINK	-	-	-	-	-	-	2
15	90748	SOCKET CAP SCREW M5X0.8 X 18mm LONG, FULLY THREADED + BLUE TREADLOCKER - BLACK ZINC	4	4	4	4	4	4	4
16	12009	SLOTTED SEAT TUBE PLUG	2	2	2	2	2	2	2
17	91013	Oval Head Philips Screw for Sheet Metal #8 X 1"	2	2	2	2	2	2	2
18	91009	FLANGE BUTTON HEAD CAP SCREW, M5X.8 X 8mm	2	2	2	2	2	2	2
19	99000	SCREW PHILLIPS PAN HD #6-32 X 1/2	2	2	2	2	2	2	2



MAKE SURE TO HAVE YOUR SERIAL NUMBER NEARBY WHEN ORDERING PARTS FOR YOUR MOTION COMPOSITES WHEELCHAIR

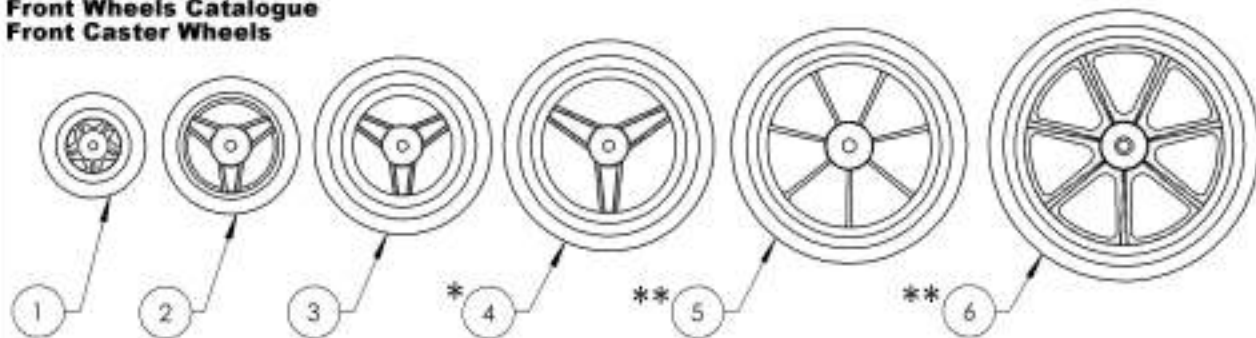
9002373_9002377
X-Brace HD - Aluminium, Hydroformed, Type 2 (Specify Seat Depth)

ITEM NO.	PARTNO	DESCRIPTION	9002373 /QTY.	9002374 /QTY.	9002375 /QTY.	9002376 /QTY.	9002377 /QTY.
1	10523	HYDROFORMED HD XBRACE 18in - PAIR ASSEMBLY	1	-	-	-	-
2	10524	HYDROFORMED HD XBRACE 19in - PAIR ASSEMBLY	-	1	-	-	-
3	10525	HYDROFORMED HD XBRACE 20in - PAIR ASSEMBLY	-	-	1	-	-
4	10526	HYDROFORMED HD XBRACE 21in - PAIR ASSEMBLY	-	-	-	1	-
5	10527	HYDROFORMED HD XBRACE 22in - PAIR ASSEMBLY	-	-	-	-	1
6	12158	18in A7_C2 UNK	2	-	-	-	-
7	12159	19in A7_C2 UNK	-	2	-	-	-
8	12160	20in A7_C2 UNK	-	-	2	-	-
9	12161	21in A7_C2 UNK	-	-	-	2	-
10	12162	22in A7_C2 UNK	-	-	-	-	2
11	12009	SLOTTED SEAT TUBE PLUG	2	2	2	2	2
12	12149	C2 XBRACE BASE PIVOT SHAFT PLASTIC CAP	4	4	4	4	4
13	12150	C2 XBRACE BASE PIVOT SHAFT ALU PLUG	4	4	4	4	4
14	91013	Oval Head Phillips Screw for Sheet Metal #8 X 1"	2	2	2	2	2
15	90744	SOCKET CAP SCREW M5X0.8 X 12mm LONG, FULLY THREADED + BLUE THREADLOCKER - BLACK ZINC	4	4	4	4	4
16	91009	FLANGE BUTTON HEAD CAP SCREW, M5X.8 X 8mm	2	2	2	2	2
17	99000	SCREW PHILLIPS PAN HD #6-32 X 1/2	2	2	2	2	2

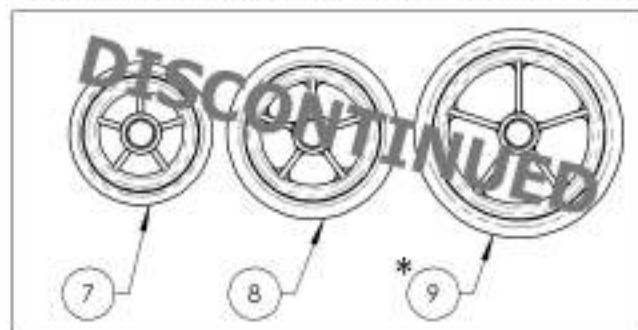


MAKE SURE TO HAVE YOUR SERIAL NUMBER
 NEARBY WHEN ORDERING PARTS FOR YOUR
 MOTION COMPOSITES WHEELCHAIR

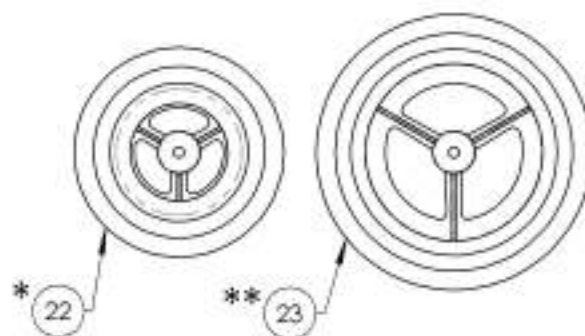
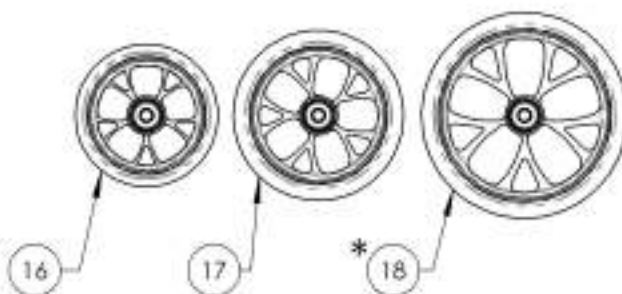
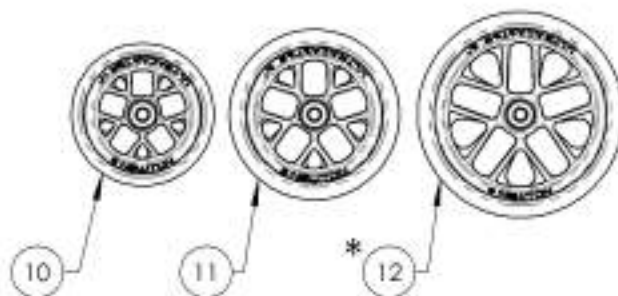
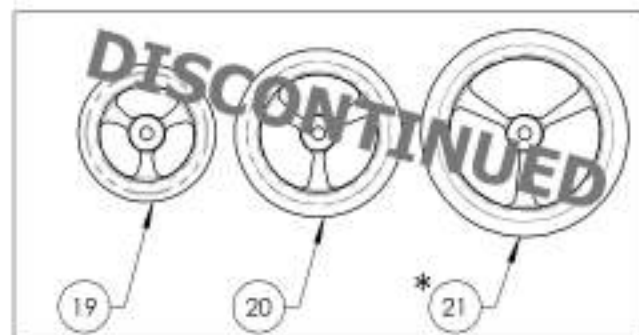
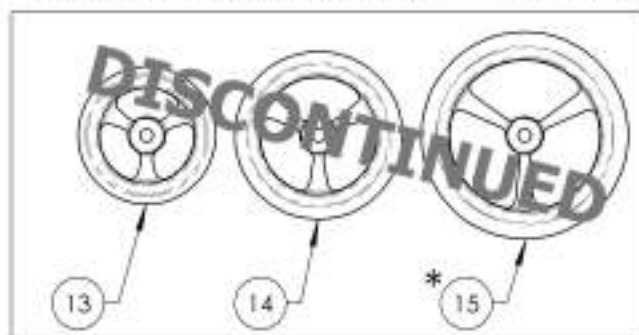
Front Wheels Catalogue
Front Caster Wheels



REPLACED BY #9002843, #9002844 & #9002845



REPLACED BY #9002846, #9002847 & #9002848



ITEM NO.	PARTNO	DESCRIPTION	QTY.
1	9001457	Caster - Composites, 3x1 in	1
2	9001458	Caster - Composites, 4x1 in	1
3	9001459	Caster - Composites, 5x1 in	1
4 *	9001460	Caster - Composites, 6x1 in	1
5 **	9001461	Caster - Composites, 7x1 in	1
6 **	9001462	Caster - Composites, 8x1 in	1
7	9001463	Caster - Composites Soft-Roll, 4x1 1/2 in	1
8	9001464	Caster - Composites Soft-Roll, 5x1 1/2 in	1
9 *	9001465	Caster - Composites Soft-Roll, 6x1 1/2 in	1
10	9002843	Newton UltraCaster - Composites, 4 x 1 1/2 in	1
11	9002844	Newton UltraCaster - Composites, 5 x 1 1/2 in	1
12 *	9002845	Newton UltraCaster - Composites, 6 x 1 1/2 in	1
13	9002213	Caster - Aluminum Soft-Roll, 4x1 1/2 in	1
14	9002214	Caster - Aluminum Soft-Roll, 5x1 1/2 in	1
15 *	9002215	Caster - Aluminum Soft-Roll, 6x1 1/2 in	1
16	9002846	Newton UltraCaster - Aluminum, 4 x 1 1/2 in	1
17	9002847	Newton UltraCaster - Aluminum, 5 x 1 1/2 in	1
18 *	9002848	Newton UltraCaster - Aluminum, 6 x 1 1/2 in	1
19	9001466	Caster - Court Wheel Aluminum, 4x1 in	1
20	9001467	Caster - Court Wheel Aluminum, 5x1 in	1
21 *	9001468	Caster - Court Wheel Aluminum, 6x1 in	1
22 *	9001469	Caster - Pneumatic, 6x1 1/2 in	1
23 **	9001470	Caster - Pneumatic, 8x1 1/2 in	1

*:NOT AVAILABLE WITH VELOCE MONOARM FORK
**:NOT AVAILABLE WITH VELOCE & APEX FORK

BEARING REPLACEMENT

NEWTON ULTRACASTER WHEELS

9002843, 9002844, 9002845,
9002846, 9002847, 9002848,

SOFT-ROLL & COURT WHEELS

9001463, 9001464, 9001465,
9002213, 9002214, 9002215,
9001466, 9001467 & 9001468

Part#: **22037**

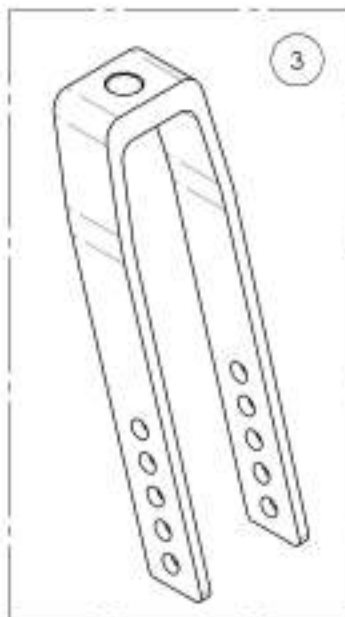
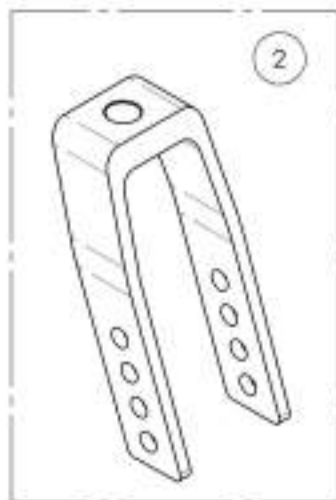
COMPOSITES & PNEUMATIC CASTER WHEELS

9001457, 9001458, 9001459, 9001460,
9001461, 9001462, 9001469 & 9001470

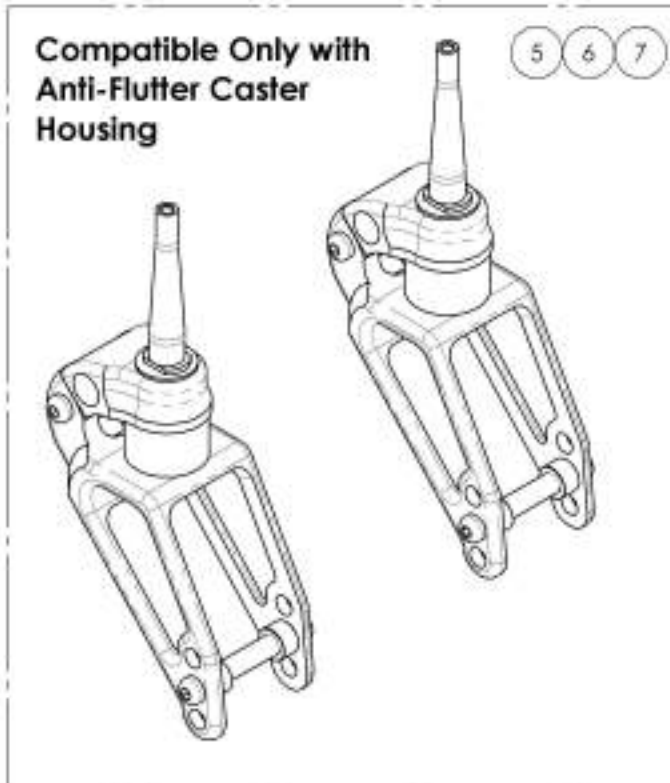
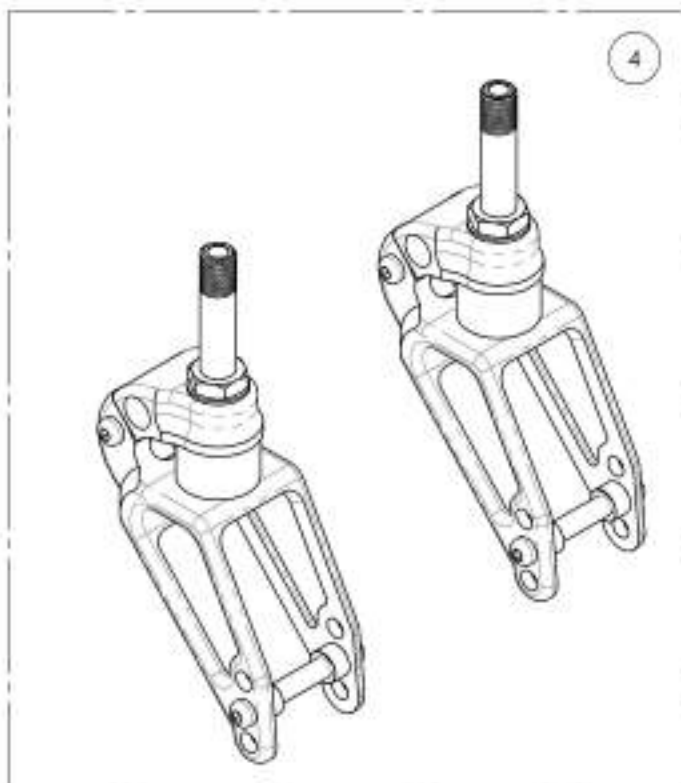
Part#: **22038**

MAKE SURE TO HAVE YOUR SERIAL NUMBER
NEARBY WHEN ORDERING PARTS FOR YOUR
MOTION COMPOSITES WHEELCHAIR

**Front Wheels Catalogue
Forks**



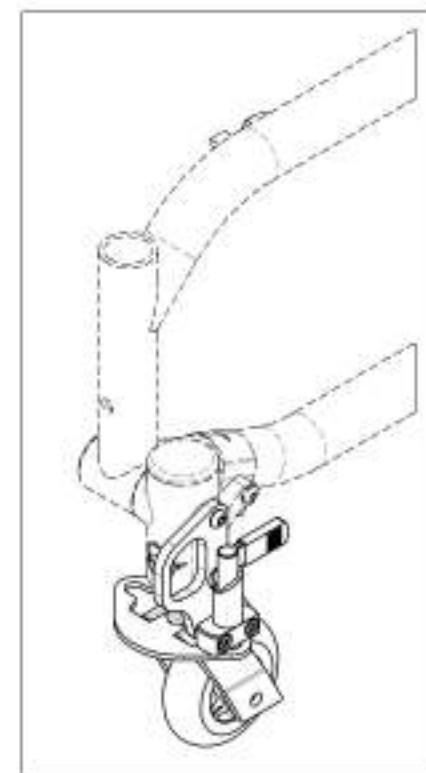
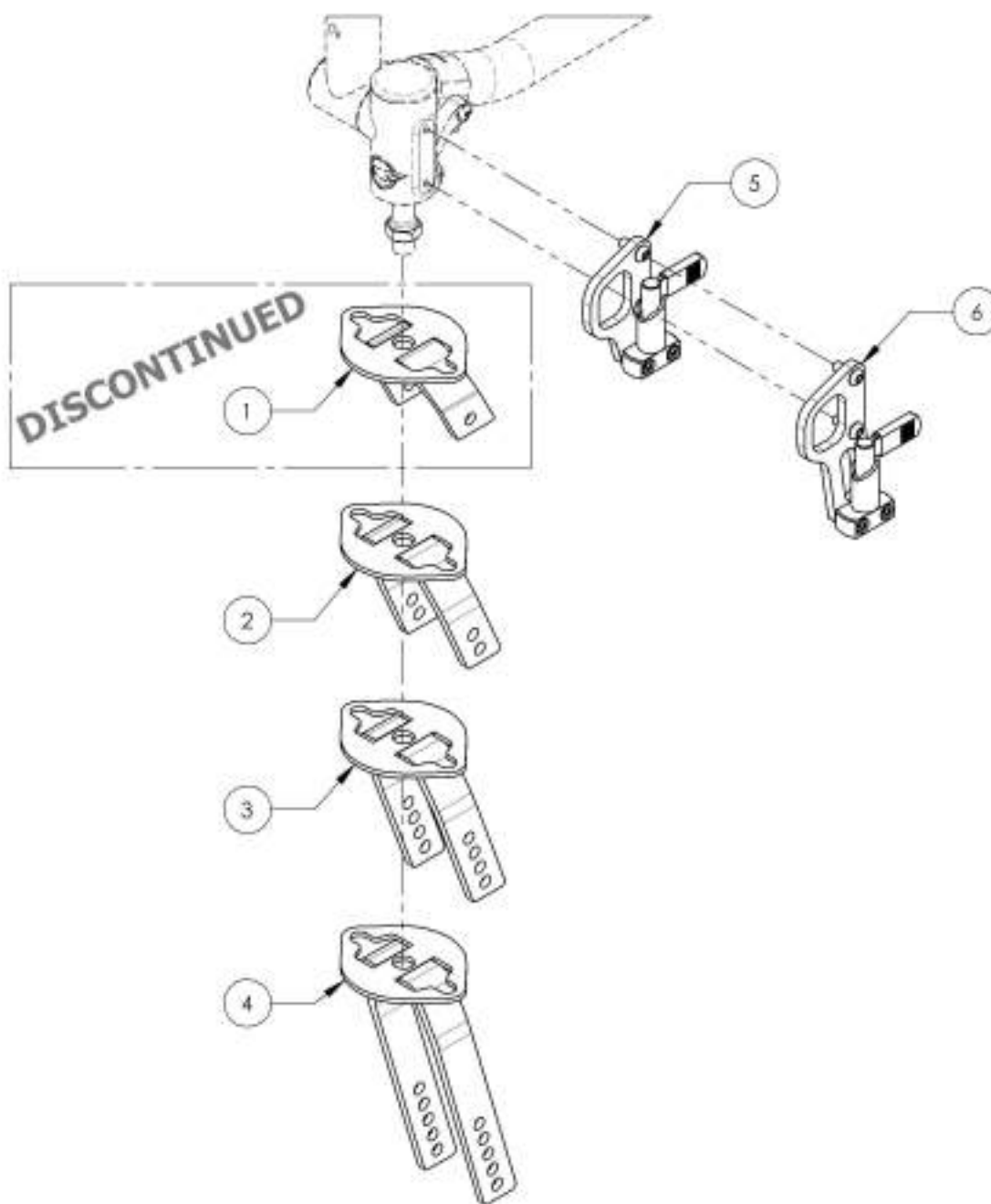
ITEM NO.	PARTNO	DESCRIPTION	QTY.
1	9001430	Fork - 4 in	1
2	9001451	Fork - 5 in	1
3	9001452	Fork - 7 in	1
4	900144P	Suspension Fork - Frog Leg	1
5	9002413	Suspension Fork - Frog Leg, Anti-Flutter Caster Housing, 3/16 Stem Bolt	1
6	9002414	Suspension Fork - Frog Leg, Anti-Flutter Caster Housing, +1 in Stem Bolt	1
7	9002415	Suspension Fork - Frog Leg, Anti-Flutter Caster Housing, +2 in Stem Bolt	1



MAKE SURE TO HAVE YOUR SERIAL NUMBER
NEARBY WHEN ORDERING PARTS FOR YOUR
MOTION COMPOSITES WHEELCHAIR

**Front Wheels Catalogue
Caster Lock Pin**

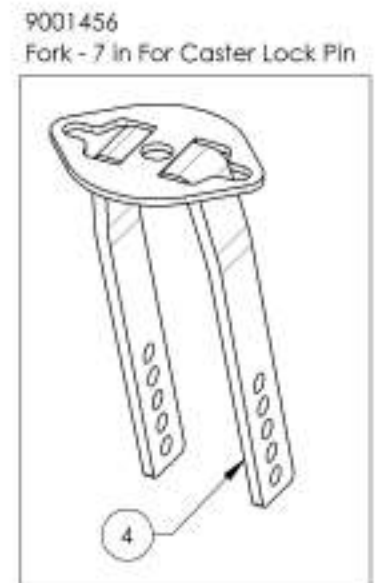
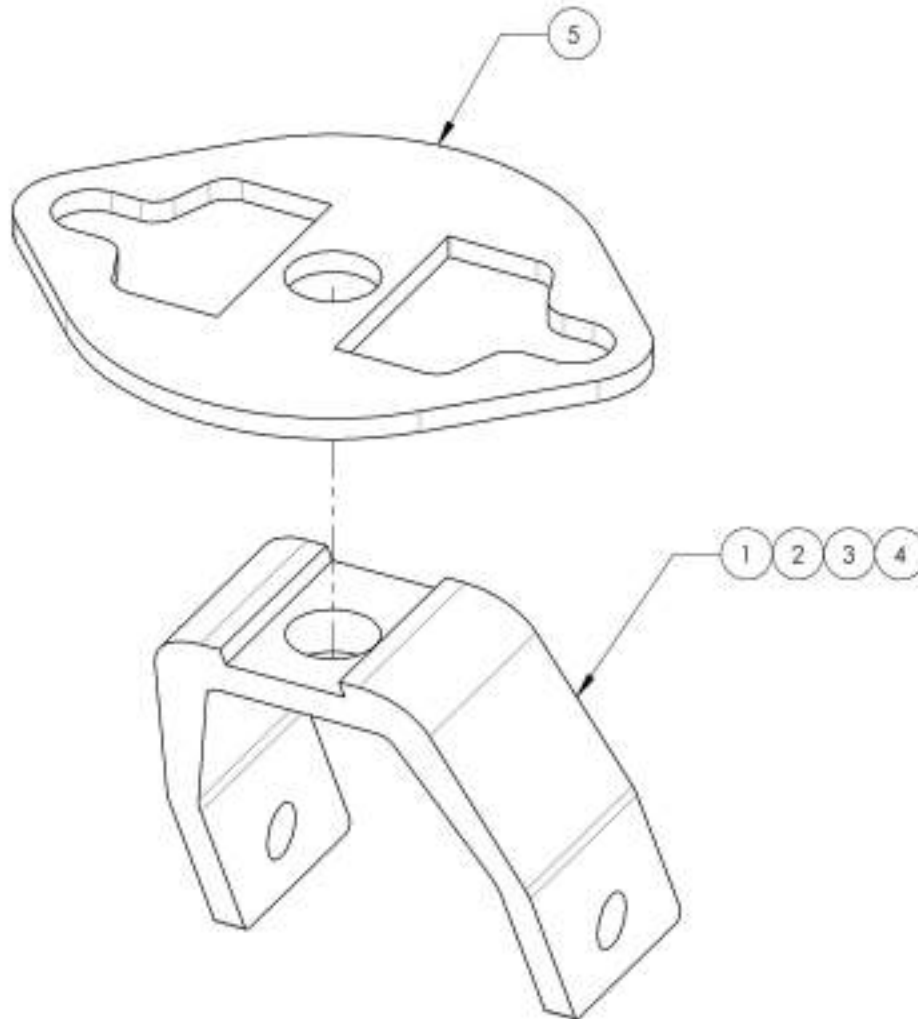
ITEM NO.	PARTNO	DESCRIPTION	QTY
1	9001453	Fork - 3 in For Caster Lock Pin	1
2	9001454	Fork - 4 in For Caster Lock Pin	1
3	9001455	Fork - 5 in For Caster Lock Pin	1
4	9001456	Fork - 7 in For Caster Lock Pin	1
5	9001623	Tie Down - Front, Wheelchair Transit, With +1 in Caster Lock Pin	1
6	9001624	Tie Down - Front, Wheelchair Transit, With +2 in Caster Lock Pin	1



MAKE SURE TO HAVE YOUR SERIAL NUMBER
NEARBY WHEN ORDERING PARTS FOR YOUR
MOTION COMPOSITES WHEELCHAIR

**9001453 9001456
Forks - For Caster Lock Pin**

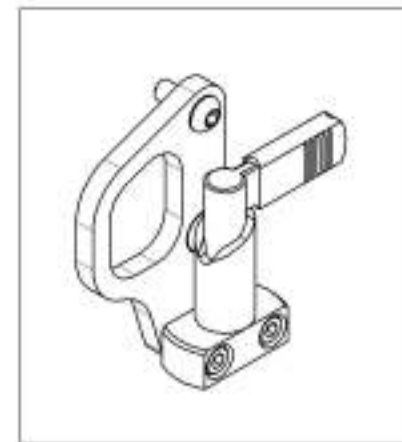
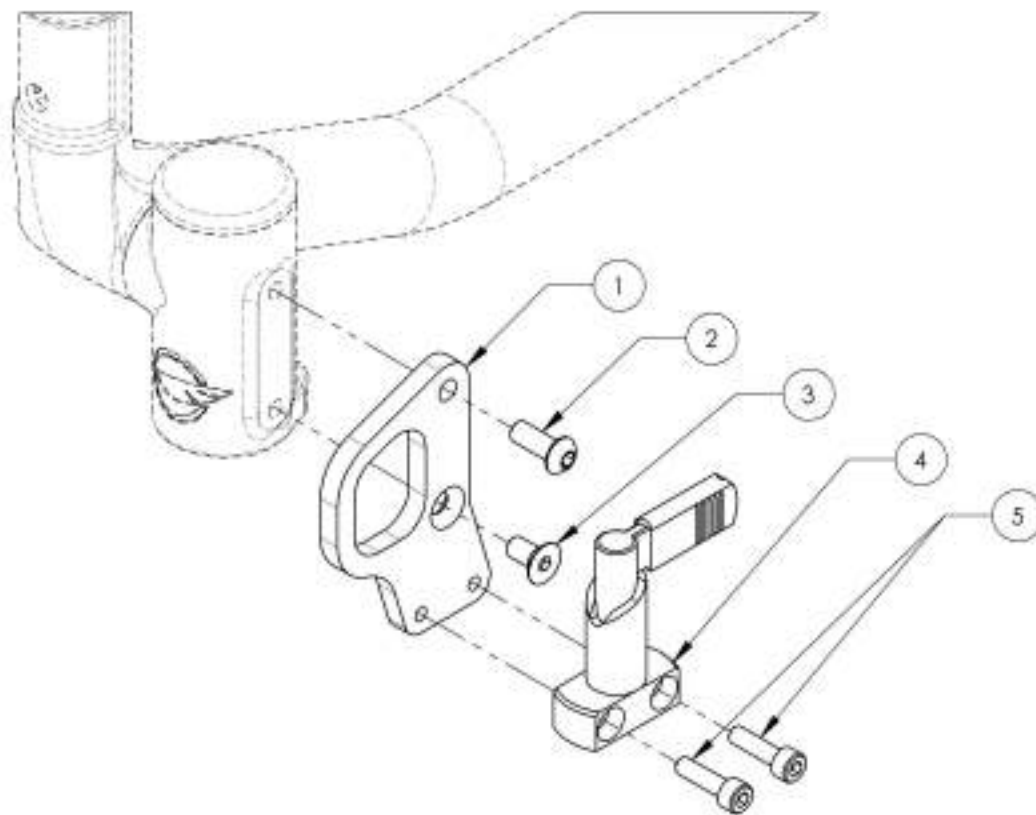
ITEM NO.	PARTNO	DESCRIPTION	9001453 /QTY.	9001454 /QTY.	9001455 /QTY.	9001456 /QTY.
1	22067	3"x1" W/ MACHINED FORK FOR CASTER LOCK PIN	1	-	-	-
2	22064	4"x2" MACHINED FORK FOR CASTER LOCK PIN	-	1	-	-
3	22065	5"x2" MACHINED FORK FOR CASTER LOCK PIN	-	-	1	-
4	22066	7"x2" MACHINED FORK FOR CASTER LOCK PIN	-	-	-	1
5	22060	CASTER LOCK PIN PLATE	1	1	1	1



MAKE SURE TO HAVE YOUR SERIAL NUMBER NEARBY WHEN ORDERING PARTS FOR YOUR MOTION COMPOSITES WHEELCHAIR

9001623
Tie Down - Front, Wheelchair Transit, With +1 in Caster Lock Pin

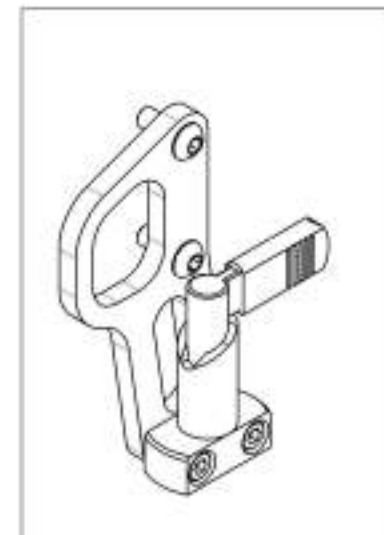
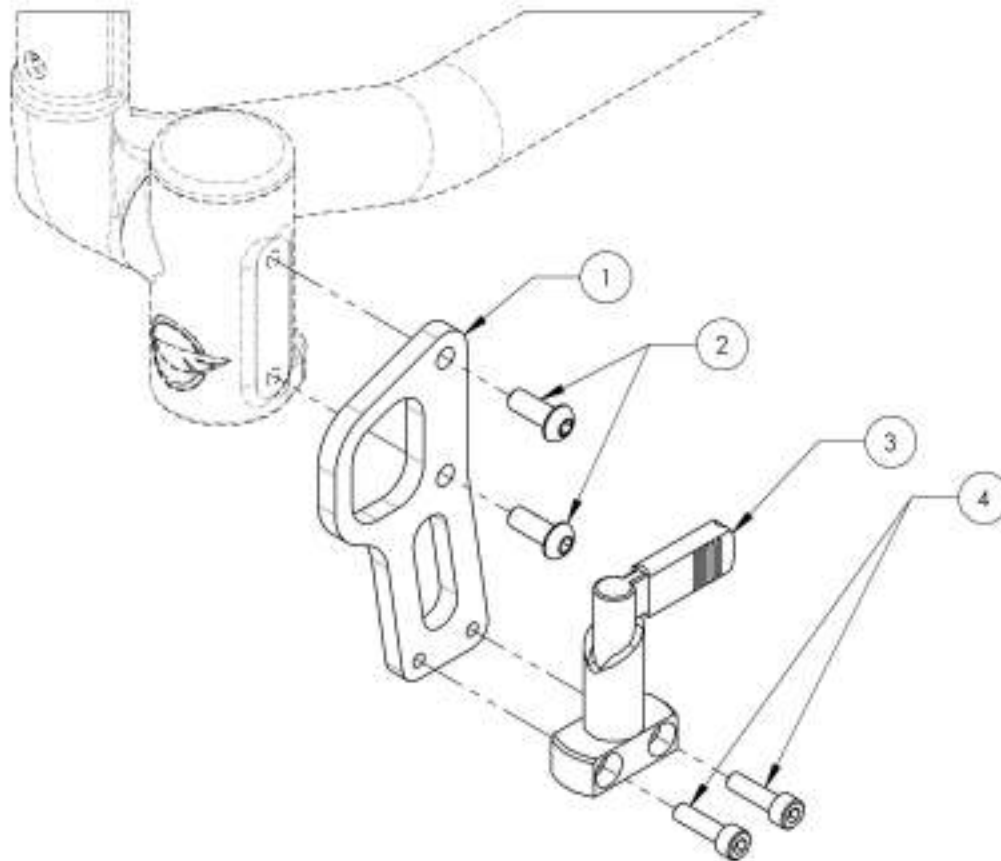
ITEM NO.	PARTNO	DESCRIPTION	9001623 /QTY.
1	22051	FRONT TIE DOWN +1 FOR CASTER LOCK PIN	1
2	90659	BUTTON HEAD CAP SCREW M6X1 X 16mm LONG, FULLY THREADED + BLUE THREADLOCKER - BLACK ZINC	1
3	90864	FLAT HEAD CAP SCREW M6X1 X 12mm LONG, FULLY THREADED + BLUE THREADLOCKER - BLACK ZINC	1
4	22063	SLIDER LOCK FOR CASTER LOCK PIN	1
5	90748	SOCKET CAP SCREW M5X0.8 X 18mm LONG, FULLY THREADED + BLUE THREADLOCKER - BLACK ZINC	2



MAKE SURE TO HAVE YOUR SERIAL NUMBER
 NEARBY WHEN ORDERING PARTS FOR YOUR
 MOTION COMPOSITES WHEELCHAIR

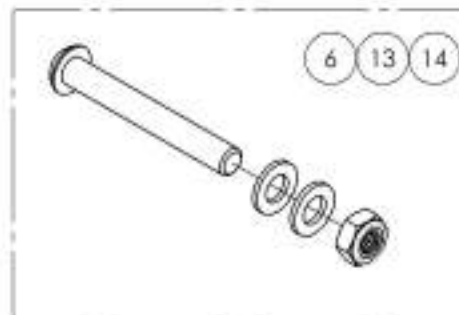
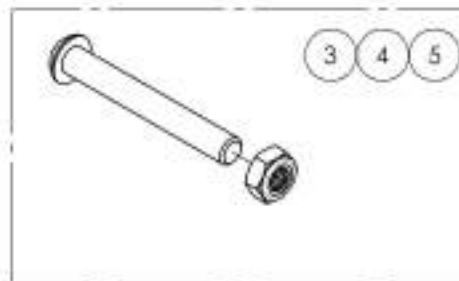
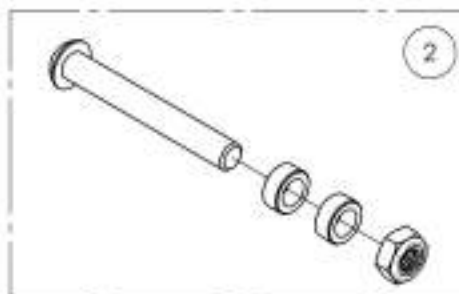
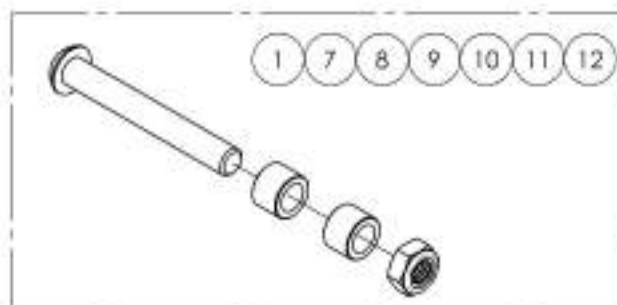
9001624
Tie Down - Front, Wheelchair Transit, With +2 in Caster Lock Pin

ITEM NO.	PARTNO	DESCRIPTION	9001624 /QTY.
1	22062	FRONT TIE DOWN +2 FOR CASTER LOCK PIN	1
2	90659	BUTTON HEAD CAP SCREW M6X1 X 16mm LONG, FULLY THREADED + BLUE THREADLOCKER - BLACK ZINC	2
3	22063	SLIDER LOCK FOR CASTER LOCK PIN	1
4	90748	SOCKET CAP SCREW M5X0.8 X 18mm LONG, FULLY THREADED + BLUE TREADLOCKER - BLACK ZINC	2



MAKE SURE TO HAVE YOUR SERIAL NUMBER
 NEARBY WHEN ORDERING PARTS FOR YOUR
 MOTION COMPOSITES WHEELCHAIR

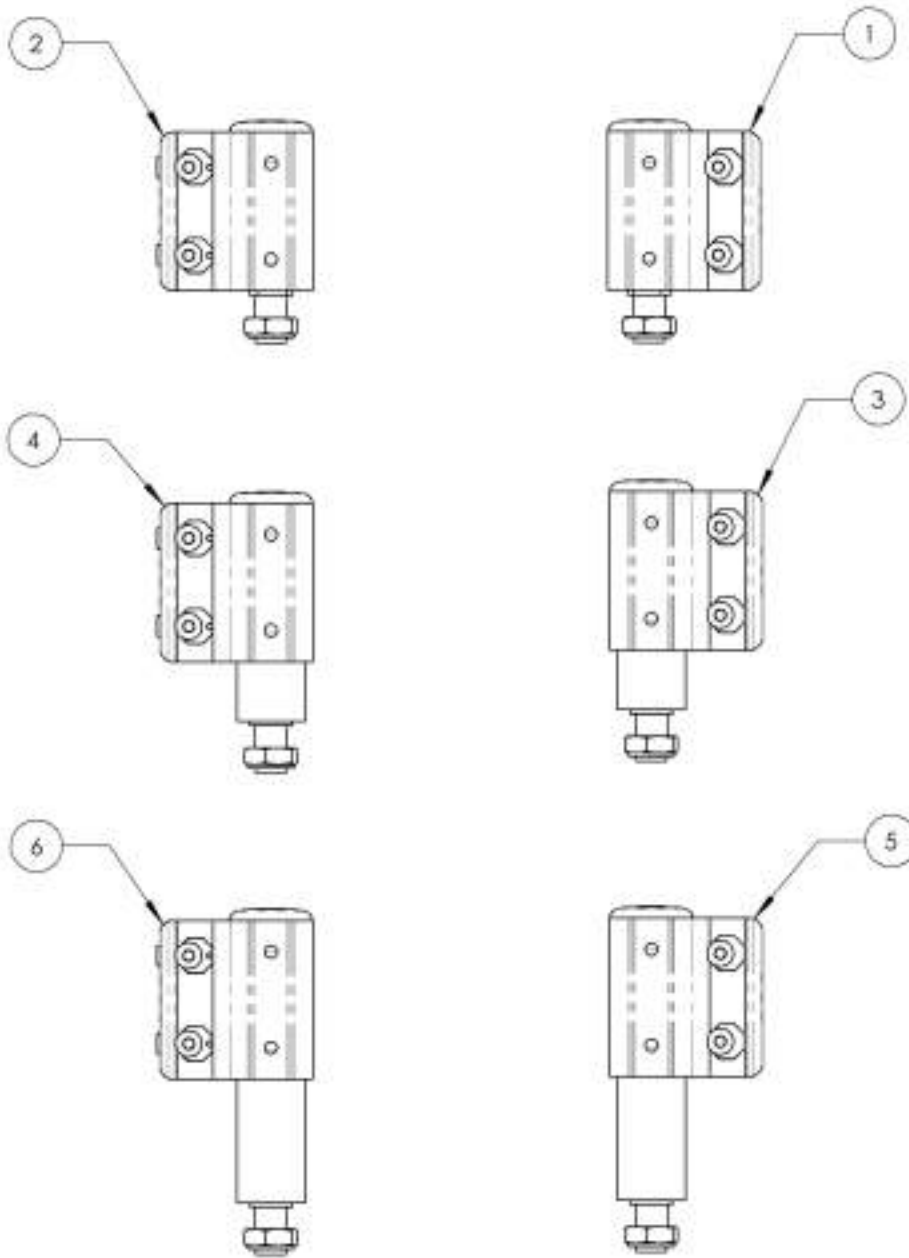
Front Wheels Catalogue Hardware



ITEM NO.	PART NO	DESCRIPTION	QTY.
1	9001416	Fork - Hardware For Composite Caster, 3x1 in	1
2	9001417	Fork - Hardware For Composite Caster, 4x1 in	1
3	9001418	Fork - Hardware For Composite Caster, 5x1 in	1
4	9001419	Fork - Hardware For Composite Caster, 6x1 in	1
5	9001420	Fork - Hardware For Composite Caster, 7x1 in	1
6	9001421	Fork - Hardware For Composite Caster, 8x1 in	1
7	9001422	Fork - Hardware For Newton Ultracaster, 4x1 1/2 in	1
8	9001423	Fork - Hardware For Newton Ultracaster, 5x1 1/2 in	1
9	9001424	Fork - Hardware For Newton Ultracaster, 6x1 1/2 in	1
10	9001425	Fork - Hardware For Court Wheel Aluminum Caster, 4x1 in	1
11	9001426	Fork - Hardware For Court Wheel Aluminum Caster, 5x1 in	1
12	9001427	Fork - Hardware For Court Wheel Aluminum Caster, 6x1 in	1
13	9001428	Fork - Hardware For Pneumatic Caster, 6x1 1/2 in	1
14	9001429	Fork - Hardware For Pneumatic Caster, 8x1 1/2 in	1

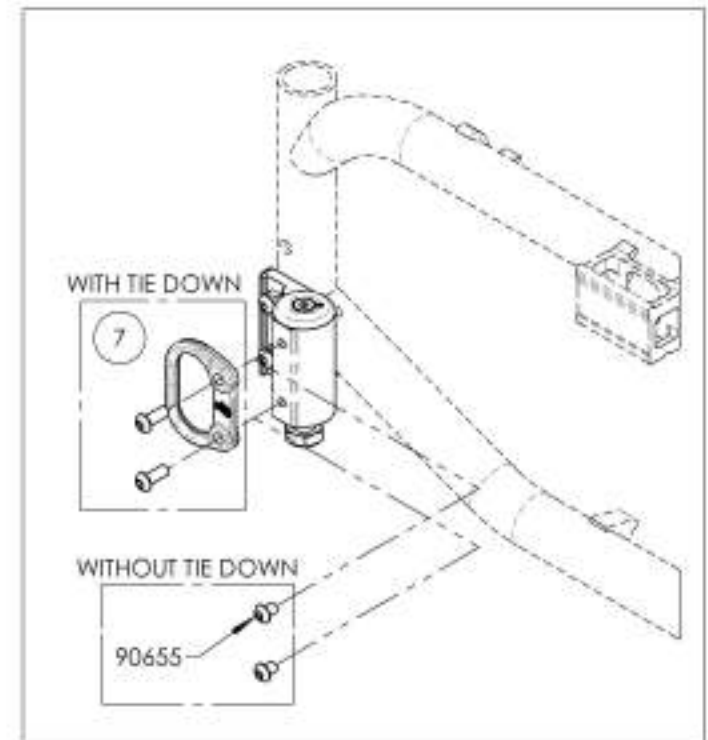
MAKE SURE TO HAVE YOUR SERIAL NUMBER
NEARBY WHEN ORDERING PARTS FOR YOUR
MOTION COMPOSITES WHEELCHAIR

Front Wheels Catalogue
Multi-Position Insert Anti-Flutter Caster Housing



ITEM NO.	PARTNO	DESCRIPTION	QTY
1	9002418	Caster Housing - Anti-Flutter, Right, STD Stem Bolt	1
2	9002421	Caster Housing - Anti-Flutter, Left, STD Stem Bolt	1
3	9002419	Caster Housing - Anti-Flutter, Right, +1 in Stem Bolt	1
4	9002422	Caster Housing - Anti-Flutter, Left, +1 in Stem Bolt	1
5	9002420	Caster Housing - Anti-Flutter, Right, +2 in Stem Bolt	1
6	9002423	Caster Housing - Anti-Flutter, Left, +2 in Stem Bolt	1
7	9001622	Tie Down - Front, Wheelchair Transit	1

**APPLICABLE ON MOVE
WHEELCHAIRS SINCE 2018/03/22**

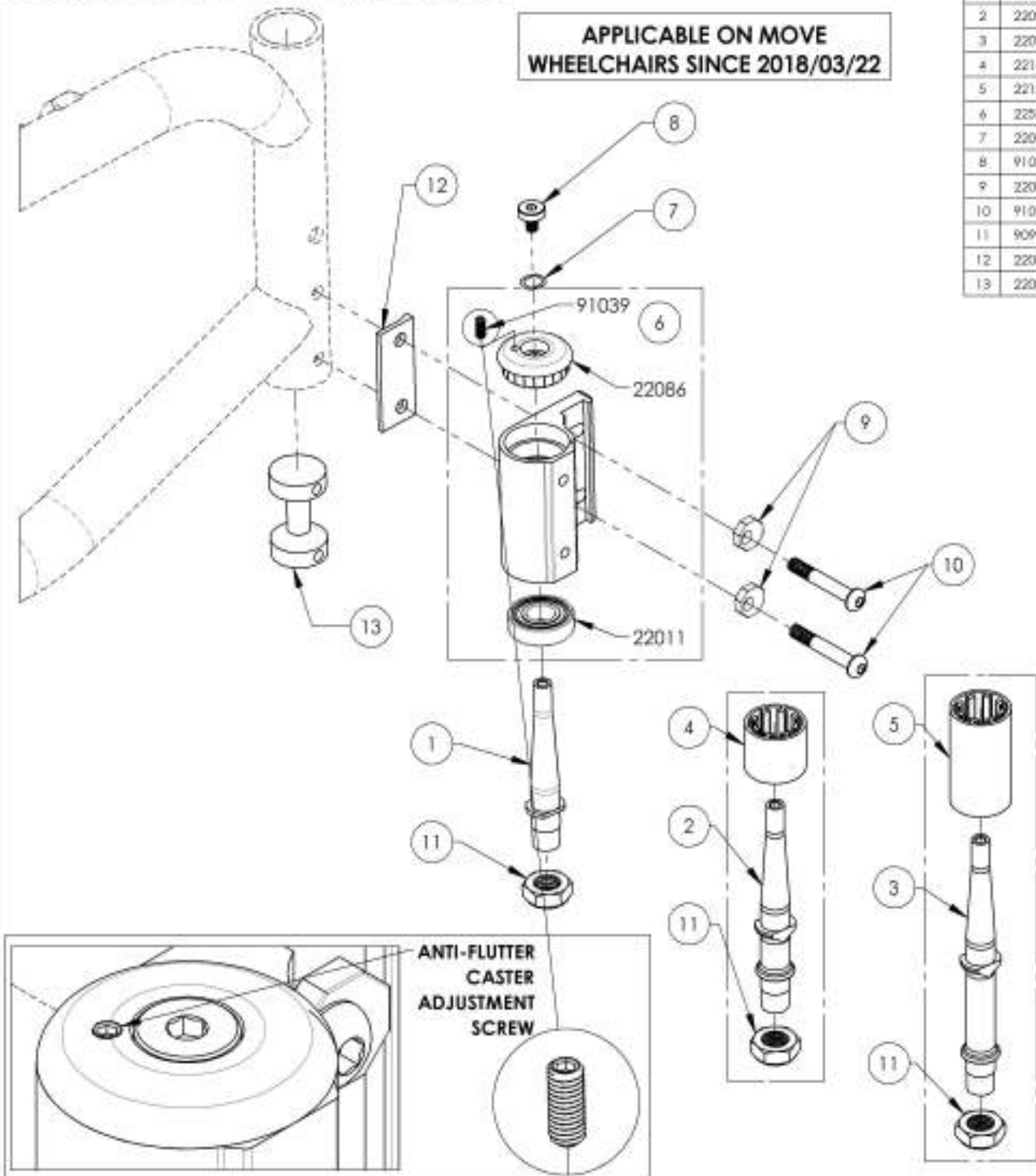


MAKE SURE TO HAVE YOUR SERIAL NUMBER
NEARBY WHEN ORDERING PARTS FOR YOUR
MOTION COMPOSITES WHEELCHAIR

9002418_9002420

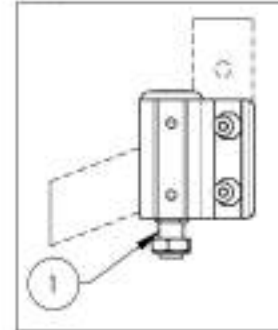
Caster Housing - Anti-Flutter, Right + Stem Bolt

**APPLICABLE ON MOVE
WHEELCHAIRS SINCE 2018/03/22**

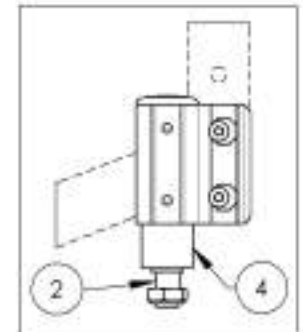


ITEM NO.	PARTNO	DESCRIPTION	9002418 /QTY.	9002419 /QTY.	9002420 /QTY.
1	22090	STEM BOLT STD	1	-	-
2	22091	STEM BOLT + 1 in	-	1	-
3	22092	STEM BOLT + 2 in	-	-	1
4	22149	STEM BOLT COVER +1 in	-	1	-
5	22150	STEM BOLT COVER +2 in	-	-	1
6	22524	T2 ANTI-FLUTTER CASTER HOUSING, RIGHT - ASSEMBLY	1	1	1
7	22095	TRIPLE-WAVE STEEL WASHER 0.320in ID, 0.437in OD	1	1	1
8	91038	MACHINE SCREW M5X0.8 X 12mm	1	1	1
9	22080	T2 ECCENTRIC CASTER HOUSING INSERT	2	2	2
10	91019	BUTTON HEAD CAP SCREW M6X1 X 40mm PARTIAL THREAD	2	2	2
11	90992	M1.2 LOW NYLON LOCK	1	1	1
12	22082	T2 CASTER HOUSING DOUBLE COVER	1	1	1
13	22081	T2 CASTER HOUSING PLUG	1	1	1

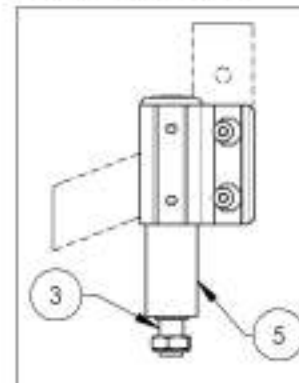
9002418
Caster Housing - Anti-Flutter,
Right, STD Stem Bolt



9002419
Caster Housing - Anti-Flutter,
Right, +1 in Stem Bolt



9002420
Caster Housing - Anti-Flutter,
Right, +2 in Stem Bolt

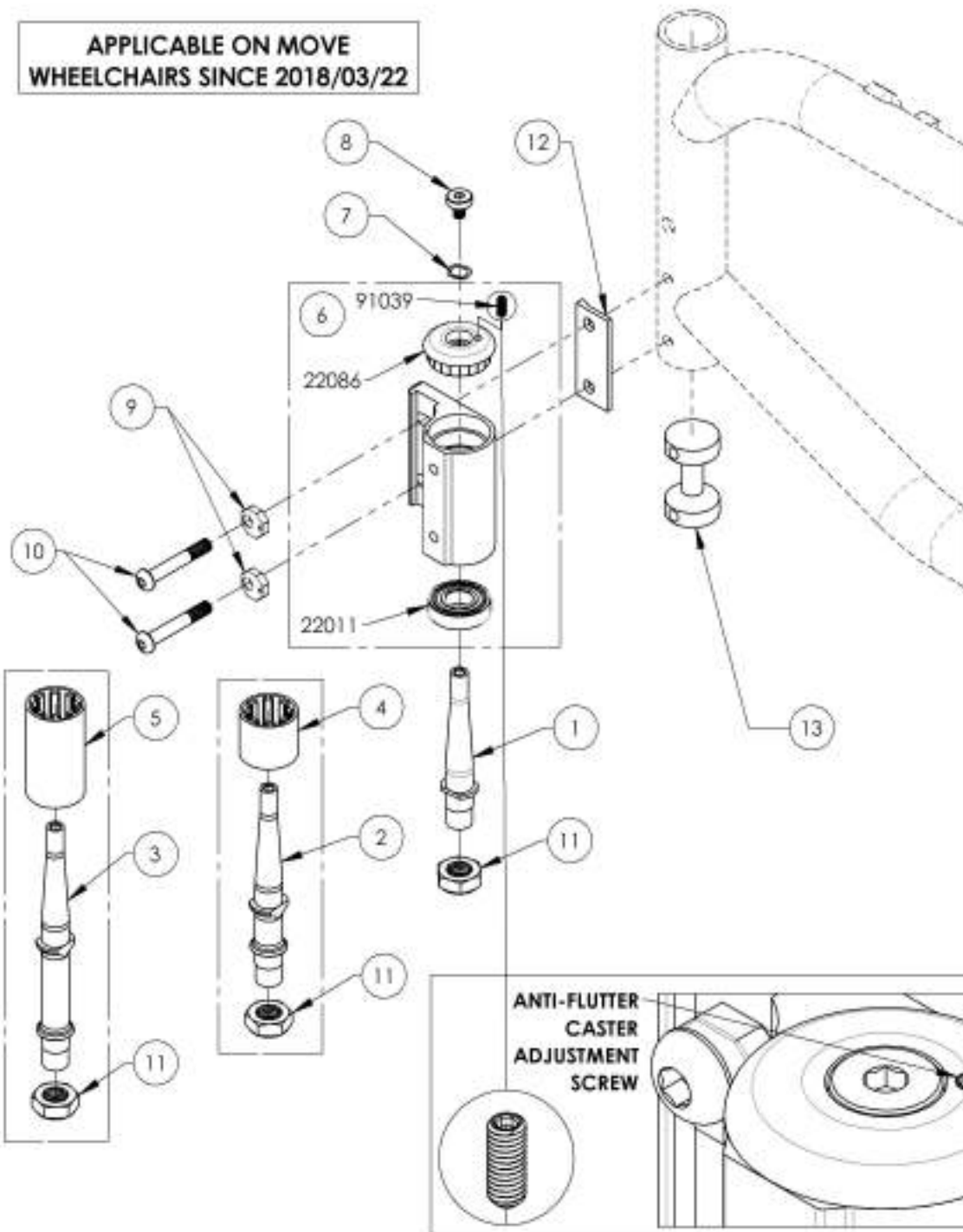


MAKE SURE TO HAVE YOUR SERIAL NUMBER
NEARBY WHEN ORDERING PARTS FOR YOUR
MOTION COMPOSITES WHEELCHAIR

9002421_9002423

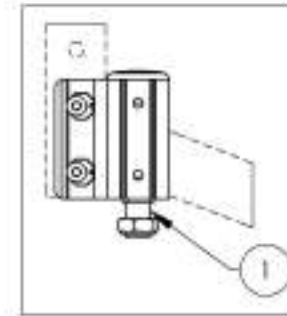
Caster Housing - Anti-Flutter, Left + Stem Bolt

APPLICABLE ON MOVE
WHEELCHAIRS SINCE 2018/03/22

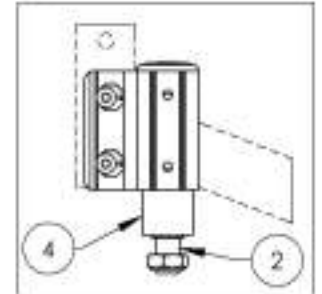


ITEM NO.	PARTNO	DESCRIPTION	9002421 /QTY.	9002422 /QTY.	9002423 /QTY.
1	22090	STEM BOLT STD	1	-	-
2	22091	STEM BOLT + 1 in	-	1	-
3	22092	STEM BOLT + 2 in	-	-	1
4	22149	STEM BOLT COVER +1 in	-	1	-
5	22150	STEM BOLT COVER +2 in	-	-	1
6	22525	T2 ANTI-FLUTTER CASTER HOUSING, LEFT - ASSEMBLY	1	1	1
7	22095	TRIPLE-WAVE STEEL WASHER 0.320in ID, 0.437in OD	1	1	1
8	91038	MACHINE SCREW M5X0.8 X 1.2mm	1	1	1
9	22080	T2 ECCENTRIC CASTER HOUSING INSERT	2	2	2
10	91019	BUTTON HEAD CAP SCREW M6X1 X 40mm PARTIAL THREAD	2	2	2
11	90992	M1.2 LOW NYLON LOCK	1	1	1
12	22082	T2 CASTER HOUSING DOUBLE COVERED	1	1	1
13	22081	T2 CASTER HOUSING PLUG	1	1	1

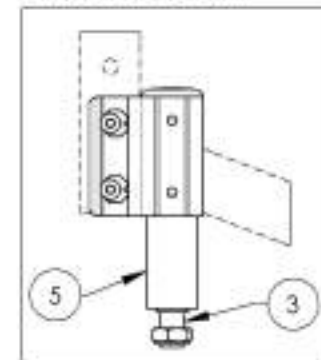
9002421
Caster Housing - Anti-Flutter,
Left, STD Stem Bolt



9002422
Caster Housing - Anti-Flutter,
Left, +1 in Stem Bolt



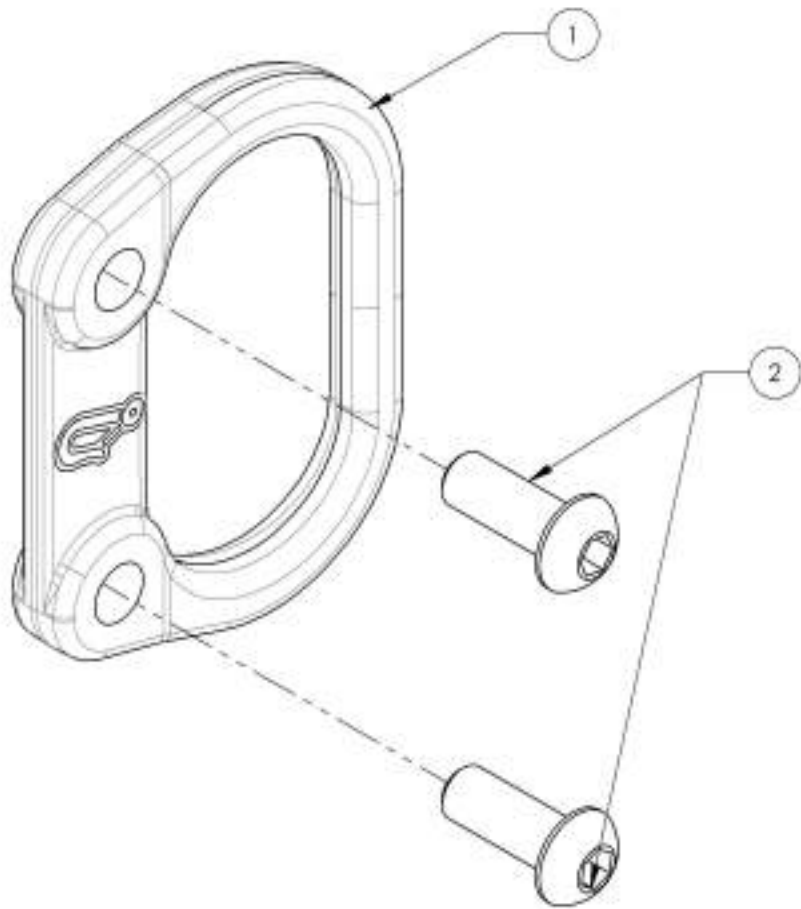
9002423
Caster Housing - Anti-Flutter,
Left, +2 in Stem Bolt



MAKE SURE TO HAVE YOUR SERIAL NUMBER
NEARBY WHEN ORDERING PARTS FOR YOUR
MOTION COMPOSITES WHEELCHAIR

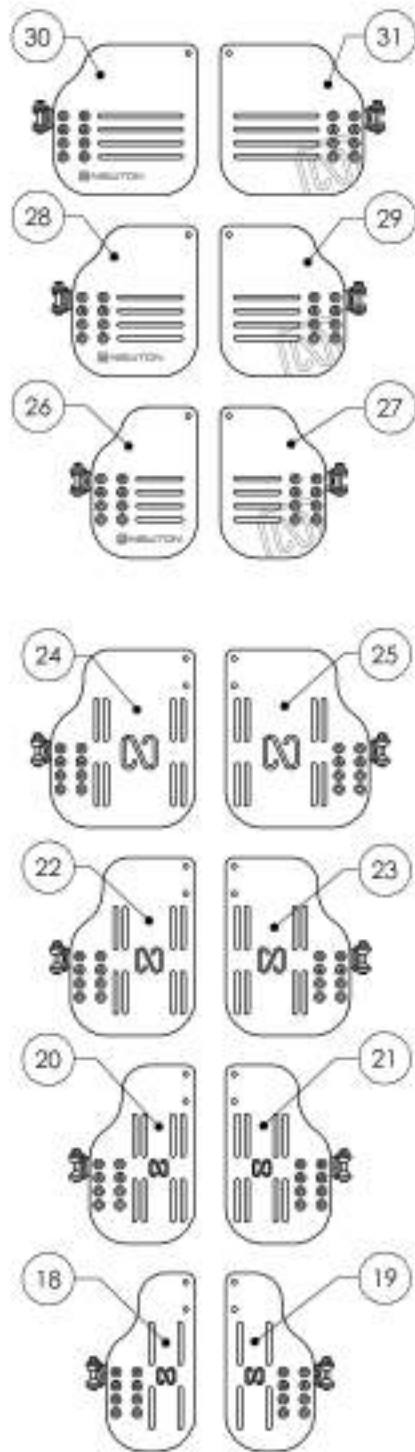
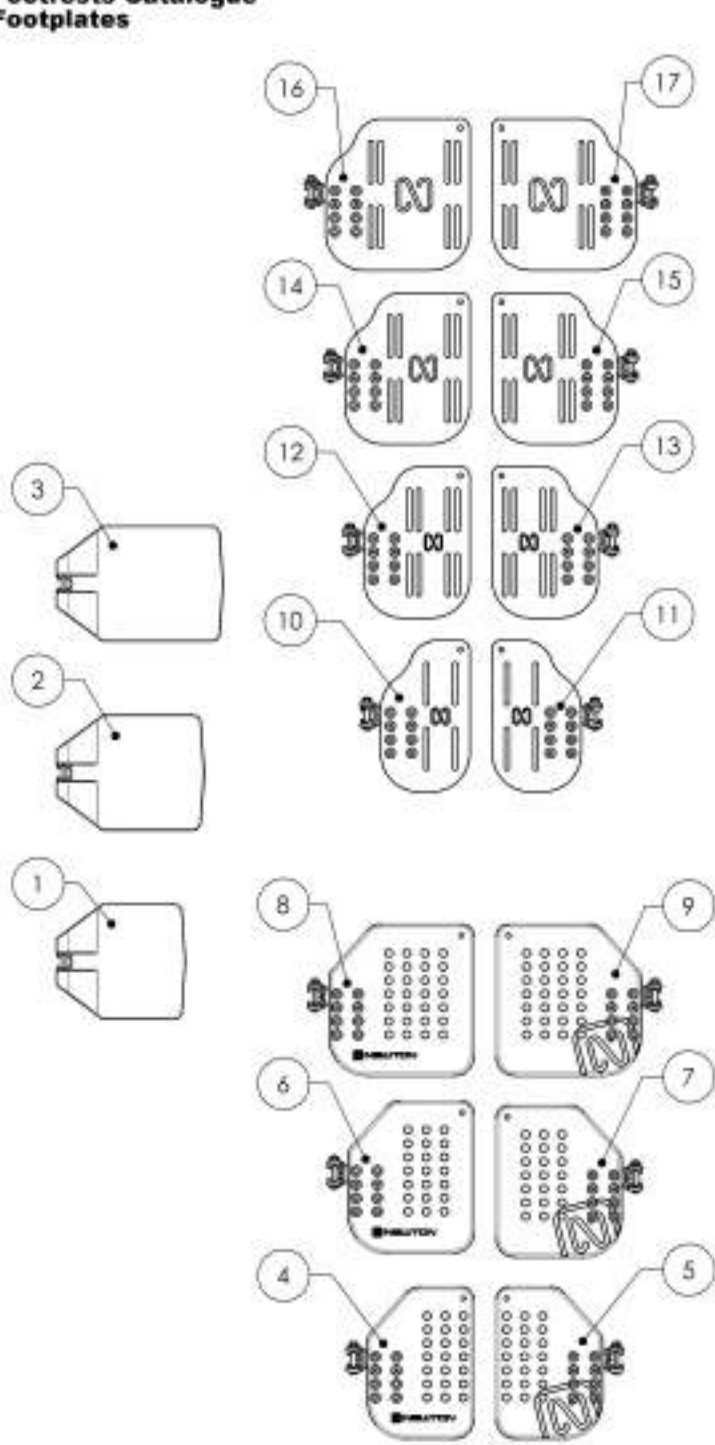
9001622
Tie Down - Front, Wheelchair Transit

ITEM NO.	PARTNO	DESCRIPTION	9001622 /QTY.
1	22004	FRONT TIE DOWN	1
2	90659	BUTTON HEAD CAP SCREW M6X1 X 16mm LONG, FULLY THREADED + BLUE THREADLOCKER - BLACK, ZINC	2

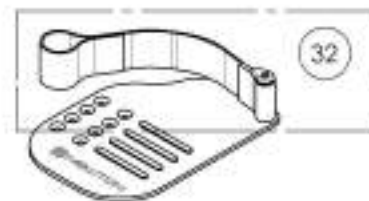


MAKE SURE TO HAVE YOUR SERIAL NUMBER
NEARBY WHEN ORDERING PARTS FOR YOUR
MOTION COMPOSITES WHEELCHAIR

Footrests Catalogue Footplates



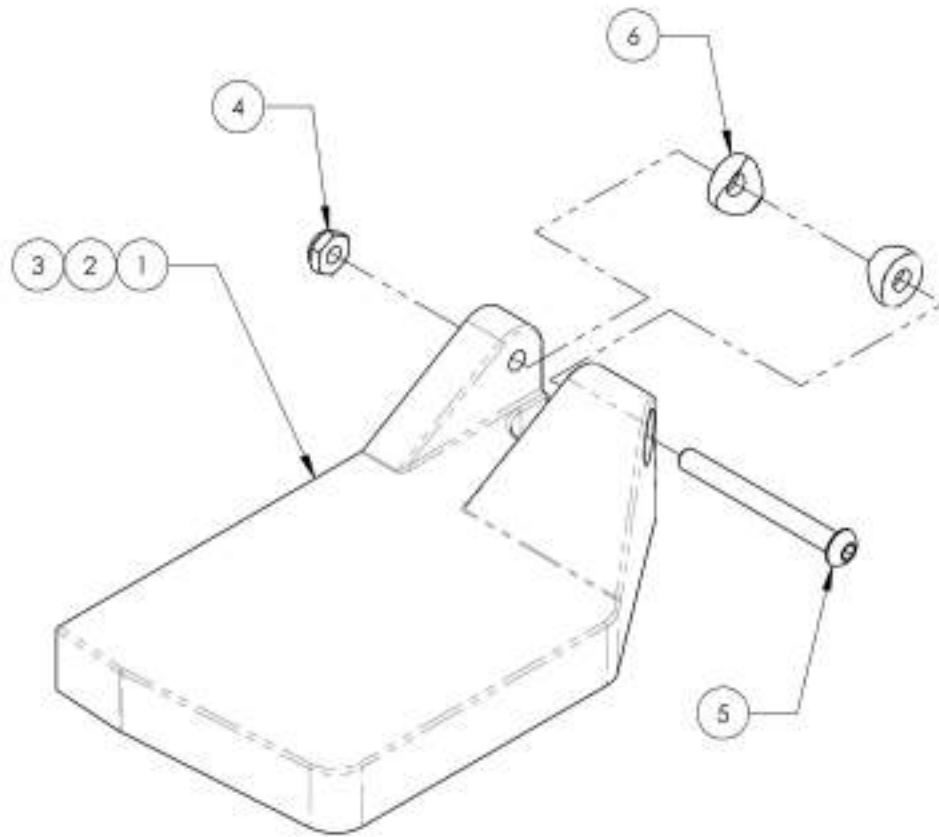
ITEM NO.	PARTNO	DESCRIPTION	QTY
1	9001360	Footplate - Composite, 6 x 6 in (Wheelchair Width: 14 to 16 in)	1
2	9001361	Footplate - Composite, 7 x 6 in (Wheelchair Width: 17 to 18 in)	1
3	9001362	Footplate - Composite, 8 x 6 in (Wheelchair Width: 19 in+)	1
4	9001430	Footplate - Plastic, Newton Angle Adjustable, Right, 5% x 8 in (Wheelchair Width: 14 to 16 in)	1
5	9001433	Footplate - Plastic, Newton Angle Adjustable, Left, 5% x 8 in (Wheelchair Width: 14 to 16 in)	1
6	9001431	Footplate - Plastic, Newton Angle Adjustable, Right, 6% x 8 in (Wheelchair Width: 17 to 18 in)	1
7	9001434	Footplate - Plastic, Newton Angle Adjustable, Left, 6% x 8 in (Wheelchair Width: 17 to 18 in)	1
8	9001432	Footplate - Plastic, Newton Angle Adjustable, Right, 7% x 8 in (Wheelchair Width: 19 in+)	1
9	9001435	Footplate - Plastic, Newton Angle Adjustable, Left, 7% x 8 in (Wheelchair Width: 19 in+)	1
10	9001363	Footplate - Aluminum, Angle Adjustable, Right, 4% x 8 in (Wheelchair Width: 12 to 13 in)	1
11	9001367	Footplate - Aluminum, Angle Adjustable, Left, 4% x 8 in (Wheelchair Width: 12 to 13 in)	1
12	9001364	Footplate - Aluminum, Angle Adjustable, Right, 5% x 8 in (Wheelchair Width: 14 to 16 in)	1
13	9001368	Footplate - Aluminum, Angle Adjustable, Left, 5% x 8 in (Wheelchair Width: 14 to 16 in)	1
14	9001365	Footplate - Aluminum, Angle Adjustable, Right, 6% x 8 in (Wheelchair Width: 17 to 18 in)	1
15	9001369	Footplate - Aluminum, Angle Adjustable, Left, 6% x 8 in (Wheelchair Width: 17 to 18 in)	1
16	9001366	Footplate - Aluminum, Angle Adjustable, Right, 7% x 8 in (Wheelchair Width: 19 in+)	1
17	9001370	Footplate - Aluminum, Angle Adjustable, Left, 7% x 8 in (Wheelchair Width: 19 in+)	1
18	9001398	Footplate - Aluminum, Newton Angle Adjustable, Right, 4% x 9% in (Wheelchair Width: 12 to 13 in)	1
19	9001400	Footplate - Aluminum, Newton Angle Adjustable, Left, 4% x 9% in (Wheelchair Width: 12 to 13 in)	1
20	9001399	Footplate - Aluminum, Newton Angle Adjustable, Right, 5% x 9% in (Wheelchair Width: 14 to 16 in)	1
21	9001401	Footplate - Aluminum, Newton Angle Adjustable, Left, 5% x 9% in (Wheelchair Width: 14 to 16 in)	1
22	9002869	Footplate - Aluminum, Newton Angle Adjustable, Right, 6% x 9% in (Wheelchair Width: 17 to 18 in)	1
23	9002871	Footplate - Aluminum, Newton Angle Adjustable, Left, 6% x 9% in (Wheelchair Width: 17 to 18 in)	1
24	9002870	Footplate - Aluminum, Newton Angle Adjustable, Right, 7% x 9% in (Wheelchair Width: 19 in+)	1
25	9002872	Footplate - Aluminum, Newton Angle Adjustable, Left, 7% x 9% in (Wheelchair Width: 19 in+)	1
26	9001384	Footplate - Carbon Fiber, Angle Adjustable, Right, 5% x 8 in (Wheelchair Width: 14 to 16 in)	1
27	9001387	Footplate - Carbon Fiber, Angle Adjustable, Left, 5% x 8 in (Wheelchair Width: 14 to 16 in)	1
28	9001385	Footplate - Carbon Fiber, Angle Adjustable, Right, 6% x 8 in (Wheelchair Width: 17 to 18 in)	1
29	9001388	Footplate - Carbon Fiber, Angle Adjustable, Left, 6% x 8 in (Wheelchair Width: 17 to 18 in)	1
30	9001386	Footplate - Carbon Fiber, Angle Adjustable, Right, 7% x 8 in (Wheelchair Width: 19 in+)	1
31	9001389	Footplate - Carbon Fiber, Angle Adjustable, Left, 7% x 8 in (Wheelchair Width: 19 in+)	1
32	9001411	Heel Loop - Length Adjustable	1



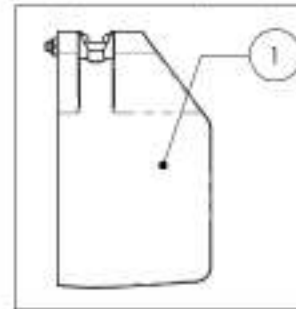
MAKE SURE TO HAVE YOUR SERIAL NUMBER NEARBY WHEN ORDERING PARTS FOR YOUR MOTION COMPOSITES WHEELCHAIR

9001132_9001134
Footplate - Composite, Right

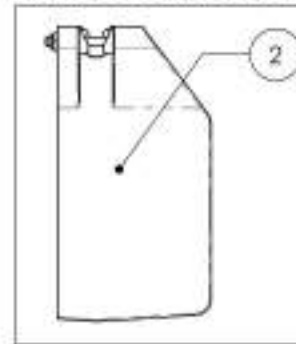
ITEM NO.	PARTNO	DESCRIPTION	9001132 /QTY.	9001133 /QTY.	9001134 /QTY.
1	31275	COMPOSITE FOOTPLATE 6 x 4 in, RIGHT (WHEELCHAIR WIDTH: 14 -16 in)	1	-	-
2	31277	COMPOSITE FOOTPLATE 7 x 4 in, RIGHT (WHEELCHAIR WIDTH: 17-18 in)	-	1	-
3	31279	COMPOSITE FOOTPLATE 8 x 4 in, RIGHT (WHEELCHAIR WIDTH: 19 in +)	-	-	1
4	99510	THIN HEX LOCKNUT 1/4-20	1	1	1
5	90670	BUTTON HEAD CAP SCREW MAX1 X 58mm LONG, 24mm THREADED + BLUE THREADLOCKER - BLACK DMC	1	1	1
6	31062	COVERED WASHER 1.4 x 3.4	2	2	2



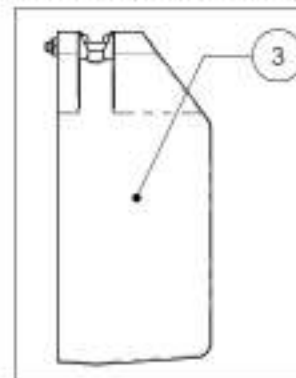
9001132
 Footplate - Composite, Right, 6 x 4 in (Wheelchair Width: 14 to 16 in)



9001133
 Footplate - Composite, Right, 7 x 4 in (Wheelchair Width: 17 to 18 in)



9001134
 Footplate - Composite, Right, 8 x 4 in (Wheelchair Width: 19 in +)

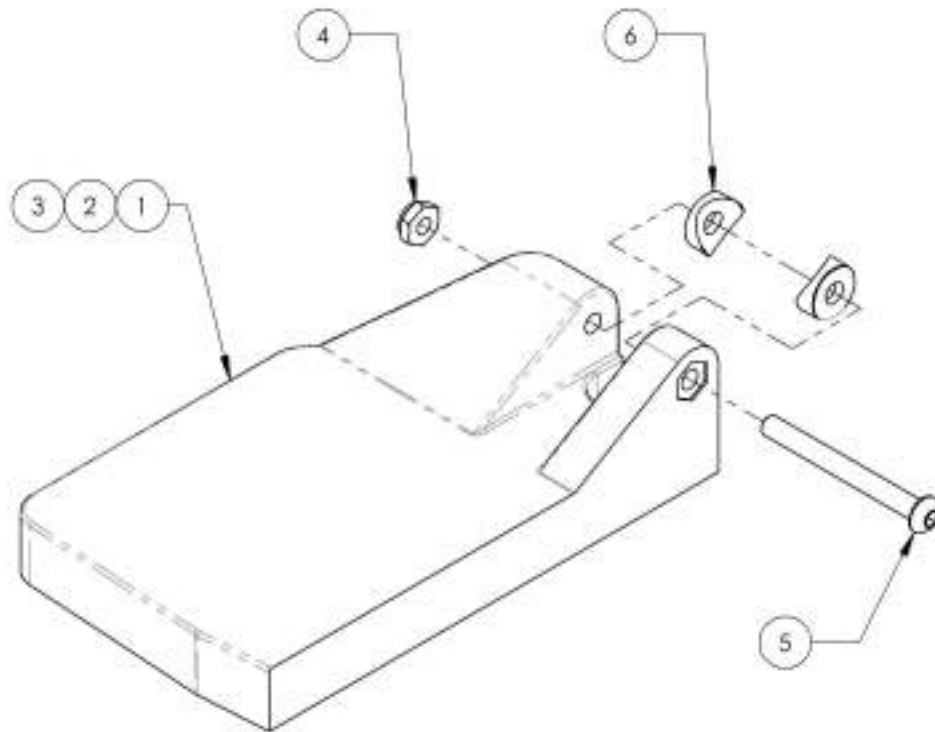


MAKE SURE TO HAVE YOUR SERIAL NUMBER
 NEARBY WHEN ORDERING PARTS FOR YOUR
 MOTION COMPOSITES WHEELCHAIR

9001135_9001137

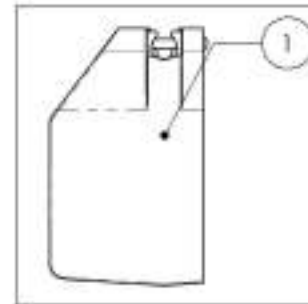
Footplate - Composite, Left

ITEM NO.	PARTNO	DESCRIPTION	9001135 /QTY.	9001136 /QTY.	9001137 /QTY.
1	31276	COMPOSITE FOOTPLATE 6 x 4 in. LEFT (WHEELCHAIR WIDTH: 14 -16 in)	1	-	-
2	31278	COMPOSITE FOOTPLATE 7 x 4 in. LEFT (WHEELCHAIR WIDTH: 17-18 in)	-	1	-
3	31280	COMPOSITE FOOTPLATE 8 x 4 in. LEFT (WHEELCHAIR WIDTH: 19 in +)	-	-	1
4	99510	THIN HEX LOCKNUT 1/4-20	1	1	1
5	90670	BUTTON HEAD CAP SCREW M4X1 X 58mm LONG, 24mm THREADED + BLUE THREADLOCKER - BLACK ZINC	1	1	1
6	31062	COVERED WASHER 1.4 x 3.4	2	2	2



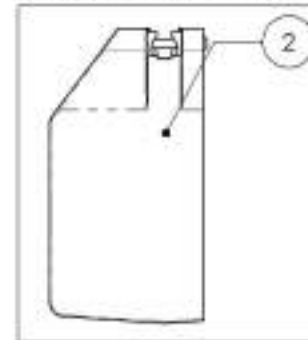
9001135

Footplate - Composite, Left, 6 x 4 in (Wheelchair Width: 14 to 16 in)



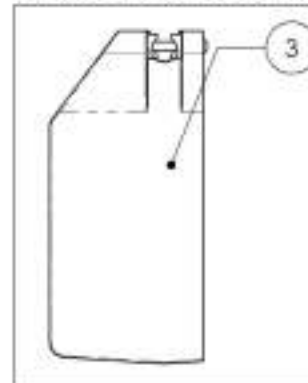
9001136

Footplate - Composite, Left, 7 x 4 in (Wheelchair Width: 17 to 18 in)



9001137

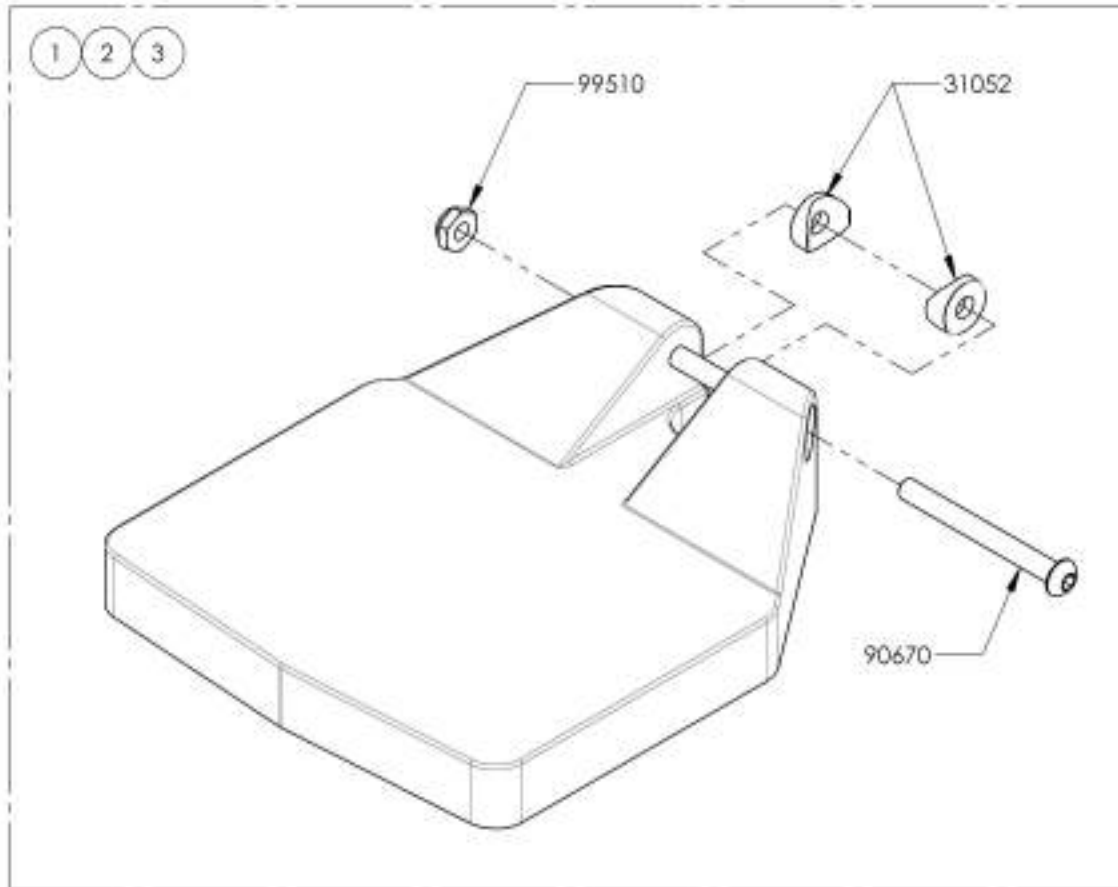
Footplate - Composite, Left, 8 x 4 in (Wheelchair Width: 19 in +)



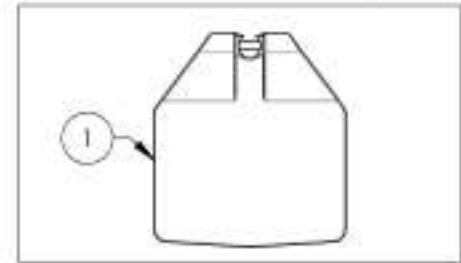
MAKE SURE TO HAVE YOUR SERIAL NUMBER NEARBY WHEN ORDERING PARTS FOR YOUR MOTION COMPOSITES WHEELCHAIR

9001360_9001362
Footplate - Composite, 6 in Depth

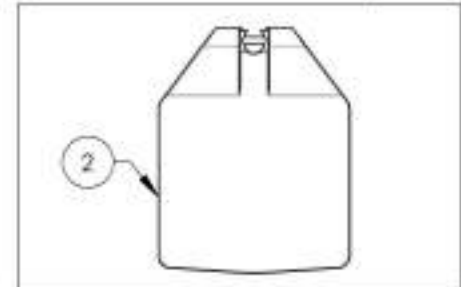
ITEM NO.	PART NO	DESCRIPTION	9001360 /QTY.	9001361 /QTY.	9001362 /QTY.
1	31025	Standard Footplates (Wheelchair Width: 14-16 in)	1	-	-
2	31026	Standard Footplates (Wheelchair Width: 17-18 in)	-	1	-
3	31027	Standard Footplates (Wheelchair Width: 19 in +)	-	-	1



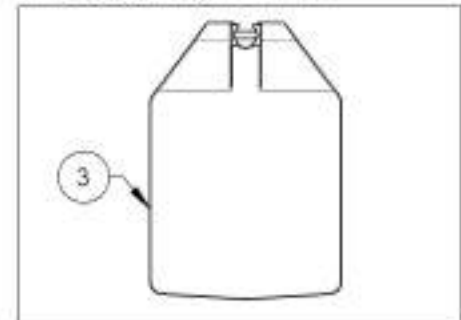
9001360
 Footplate - Composite, 6 x 6 in
 (Wheelchair Width: 14 to 16 in)



9001361
 Footplate - Composite, 7 x 6 in
 (Wheelchair Width: 17 to 18 in)



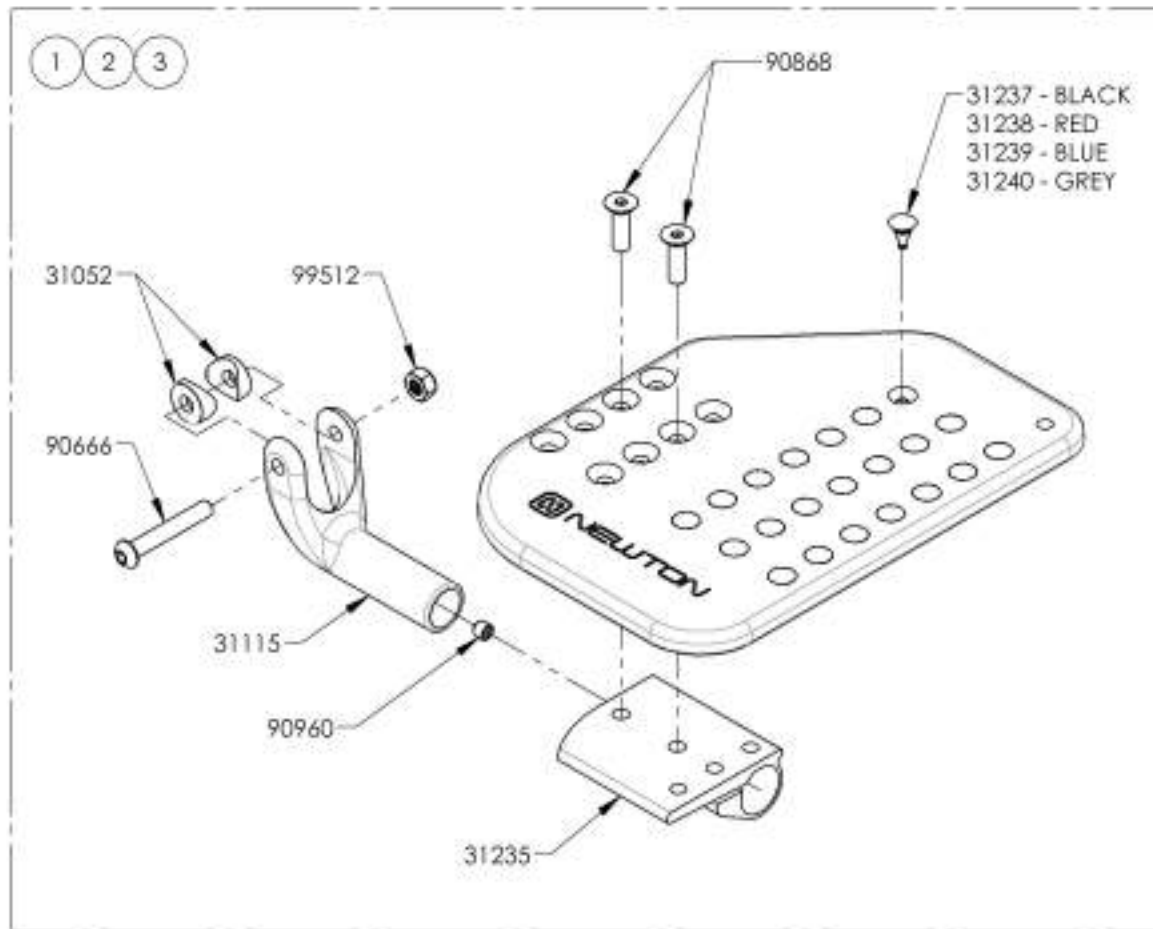
9001362
 Footplate - Composite, 8 x 6 in
 (Wheelchair Width: 19 in+)



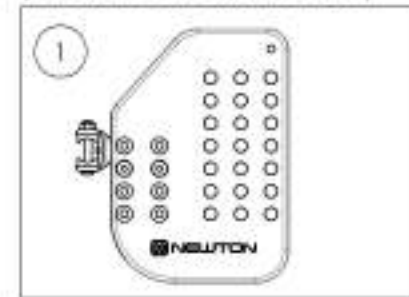
MAKE SURE TO HAVE YOUR SERIAL NUMBER
 NEARBY WHEN ORDERING PARTS FOR YOUR
 MOTION COMPOSITES WHEELCHAIR

9001430_9001432
Footplate - Plastic, Newton Angle Adjustable, Right, 8 in Depth

ITEM NO.	PART NO	DESCRIPTION	9001430 /QTY.	9001431 /QTY.	9001432 /QTY.
1	31589	14-16" PLASTIC ANGLE ADJUSTABLE FOOTPLATE RIGHT - ASSEMBLY	1	-	-
2	31591	17-18" PLASTIC ANGLE ADJUSTABLE FOOTPLATE RIGHT - ASSEMBLY	-	1	-
3	31593	19-20" PLASTIC ANGLE ADJUSTABLE FOOTPLATE RIGHT - ASSEMBLY	-	-	1



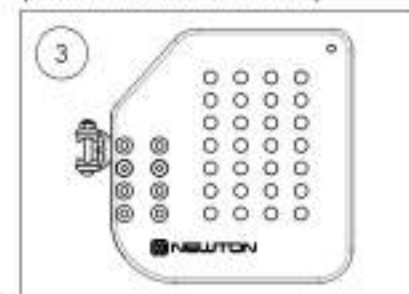
9001430
 Footplate - Plastic, Newton Angle Adjustable, Right, 5½ x 8 in
 (Wheelchair Width: 14 to 16 in)



9001431
 Footplate - Plastic, Newton Angle Adjustable, Right, 6½ x 8 in
 (Wheelchair Width: 17 to 18 in)



9001432
 Footplate - Plastic, Newton Angle Adjustable, Right, 7½ x 8 in
 (Wheelchair Width: 19 in+)

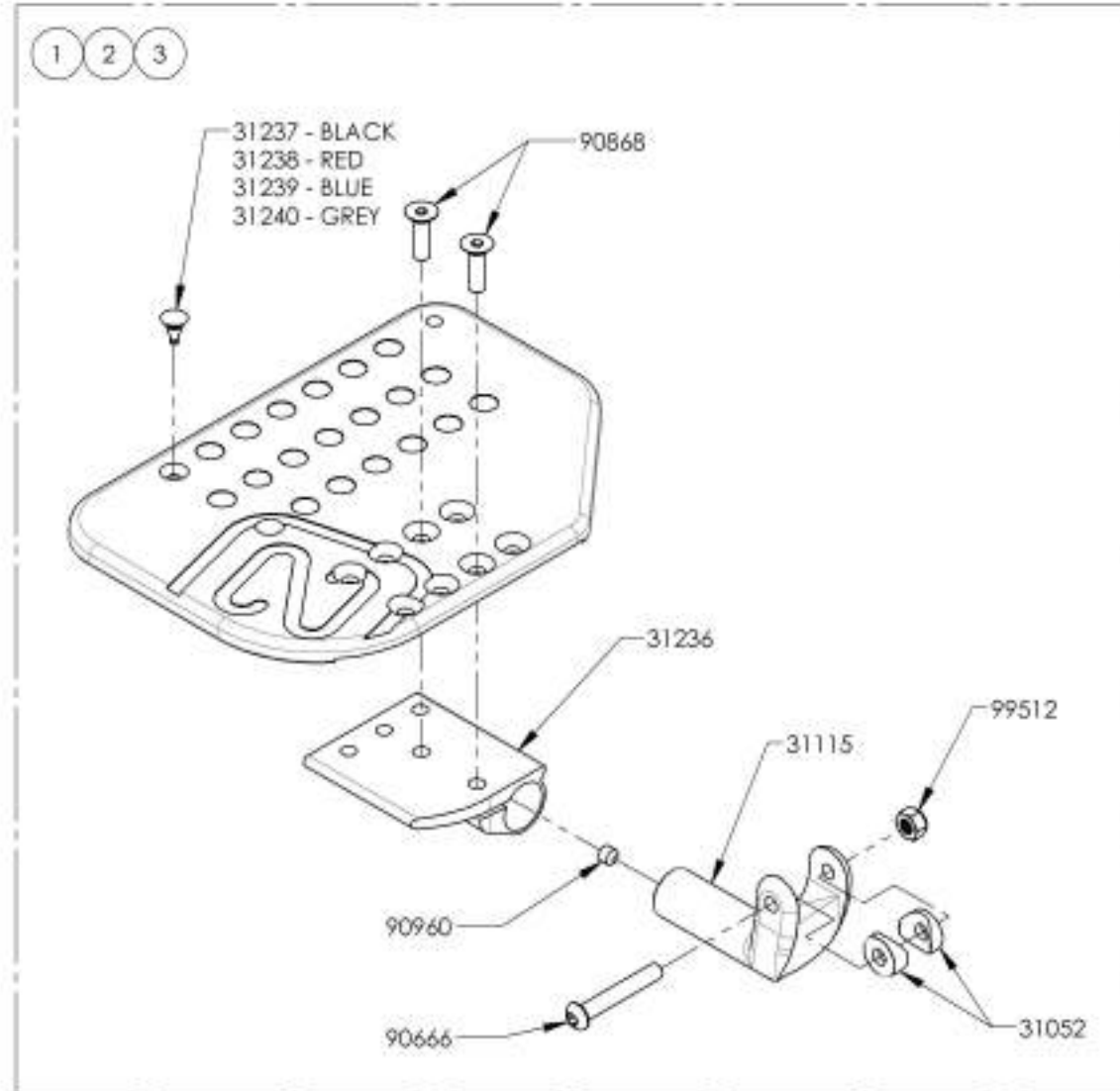


MAKE SURE TO HAVE YOUR SERIAL NUMBER
 NEARBY WHEN ORDERING PARTS FOR YOUR
 MOTION COMPOSITES WHEELCHAIR

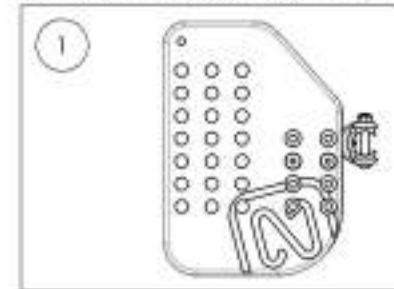
9001433_9001435

Footplate - Plastic, Newton Angle adjustable, Left, 8 in Depth

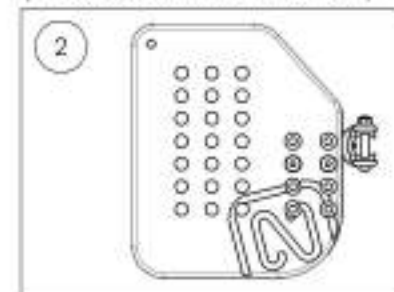
ITEM NO.	PARTNO	DESCRIPTION	9001433 /QTY.	9001434 /QTY.	9001435 /QTY.
1	31590	14-16" PLASTIC ANGLE ADJUSTABLE FOOTPLATE LEFT - ASSEMBLY	1	-	-
2	31592	17-18" PLASTIC ANGLE ADJUSTABLE FOOTPLATE LEFT - ASSEMBLY	-	1	-
3	31594	19-20" PLASTIC ANGLE ADJUSTABLE FOOTPLATE LEFT - ASSEMBLY	-	-	1



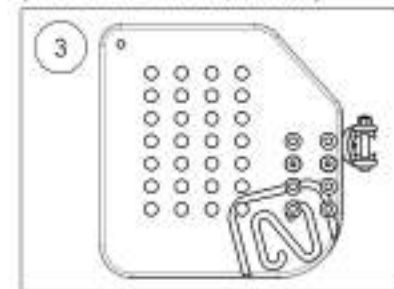
9001433
Footplate - Plastic, Newton
Angle Adjustable, Left, 5½ x 8 in
(Wheelchair Width: 14 to 16 in)



9001434
Footplate - Plastic, Newton
Angle Adjustable, Left, 6½ x 8 in
(Wheelchair Width: 17 to 18 in)



9001435
Footplate - Plastic, Newton
Angle Adjustable, Left, 7½ x 8 in
(Wheelchair Width: 19 in+)

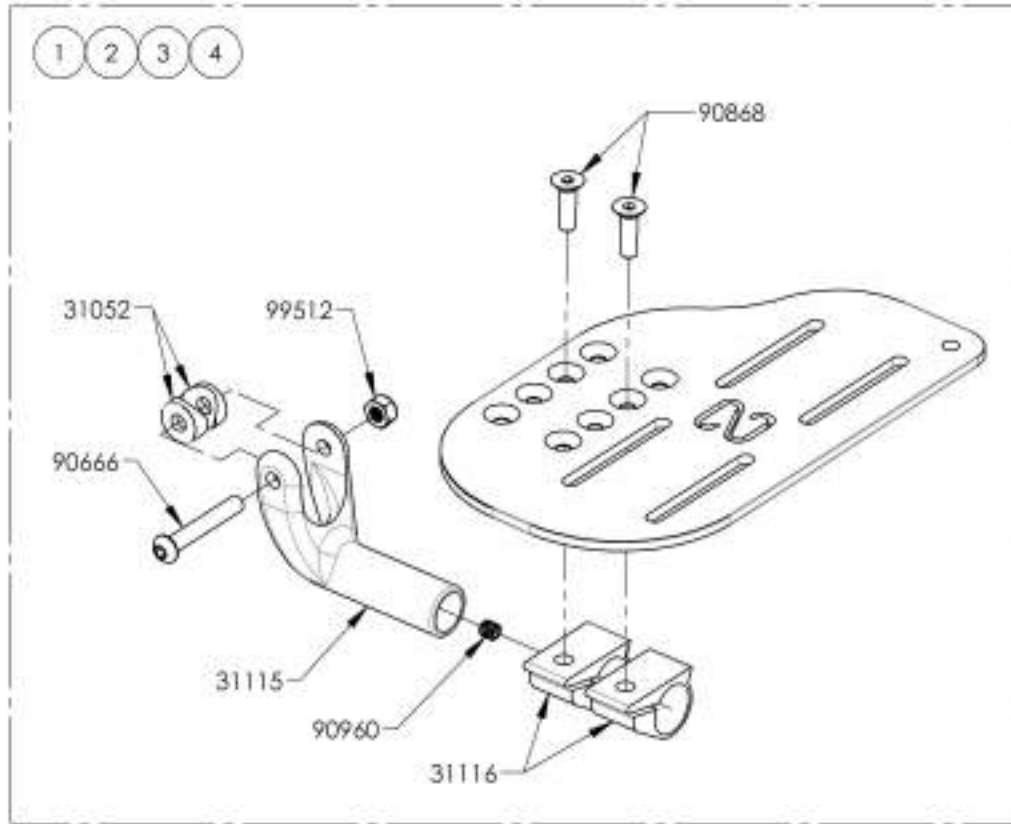


MAKE SURE TO HAVE YOUR SERIAL NUMBER
NEARBY WHEN ORDERING PARTS FOR YOUR
MOTION COMPOSITES WHEELCHAIR

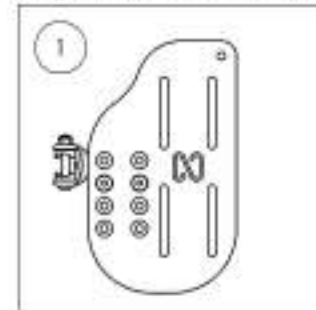
9001363_9001366

Footplate - Aluminium, Newton Angle Adjustable, Right, 8 in Depth

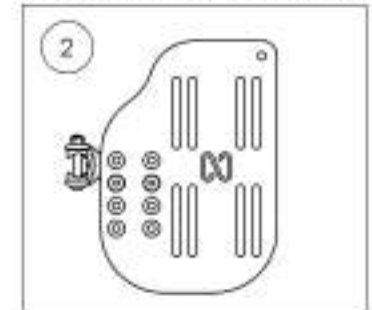
ITEM NO.	PARTNO	DESCRIPTION	9001363 /QTY.	9001364 /QTY.	9001365 /QTY.	9001366 /QTY.
1	31595	ADJUSTABLE NEWTON ALU FOOTPLATE 4.5 x 8 in, RIGHT (WC WIDTH 12-13 in) - ASSEMBLY	1	-	-	-
2	31597	ADJUSTABLE NEWTON ALU FOOTPLATE 5.5 x 8 in, RIGHT (WC WIDTH 14-16 in) - ASSEMBLY	-	1	-	-
3	31599	ADJUSTABLE NEWTON ALU FOOTPLATE 6.5 x 8 in, RIGHT (WC WIDTH 17-18 in) - ASSEMBLY	-	-	1	-
4	31601	ADJUSTABLE NEWTON ALU FOOTPLATE 7.5 x 8 in, RIGHT (WC WIDTH 19 in+) - ASSEMBLY	-	-	-	1



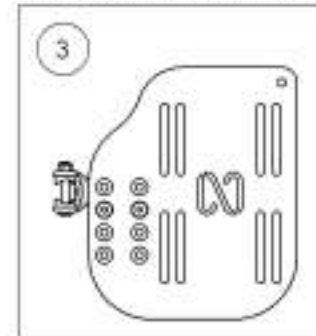
9001363
Footplate - Aluminium, Newton Angle Adjustable, Right, 4½ x 8 in (Wheelchair Width: 12 to 13 in)



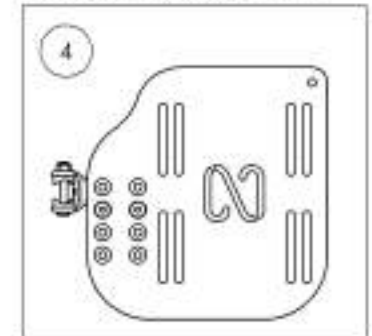
9001364
Footplate - Aluminium, Newton Angle Adjustable, Right, 5½ x 8 in (Wheelchair Width: 14 to 16 in)



9001365
Footplate - Aluminium, Newton Angle Adjustable, Right, 6½ x 8 in (Wheelchair Width: 17 to 18 in)



9001366
Footplate - Aluminium, Newton Angle Adjustable, Right, 7½ x 8 in (Wheelchair Width: 19 in+)

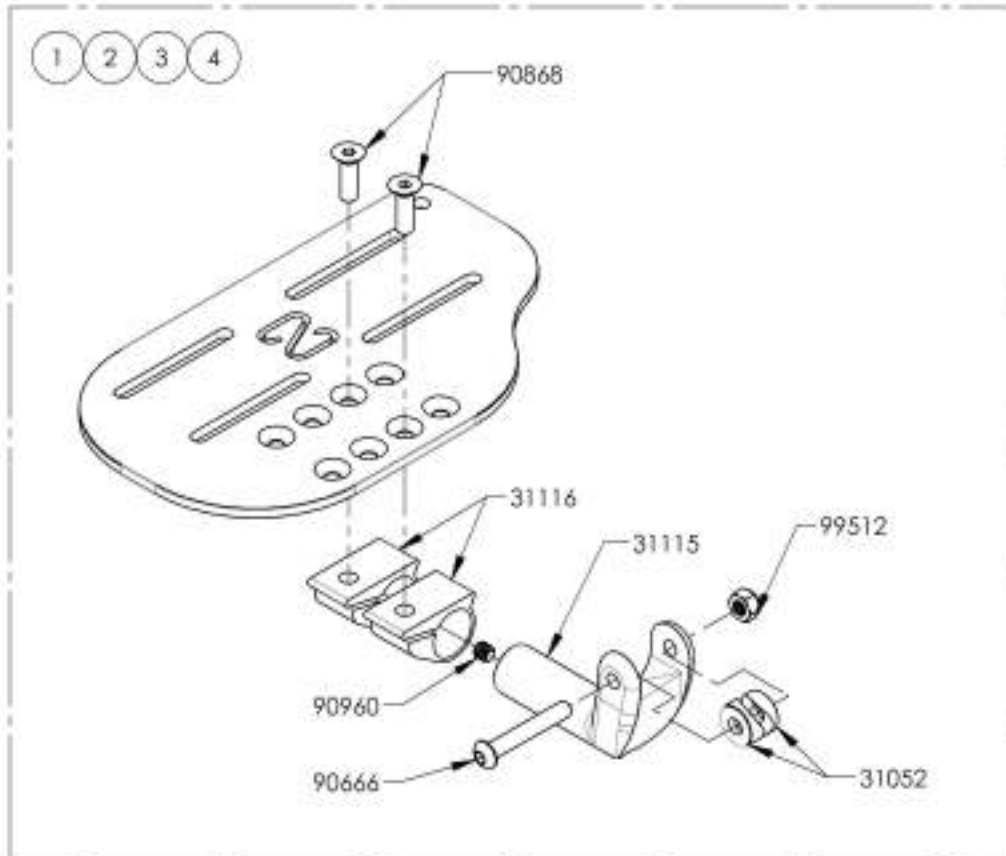


MAKE SURE TO HAVE YOUR SERIAL NUMBER NEARBY WHEN ORDERING PARTS FOR YOUR MOTION COMPOSITES WHEELCHAIR

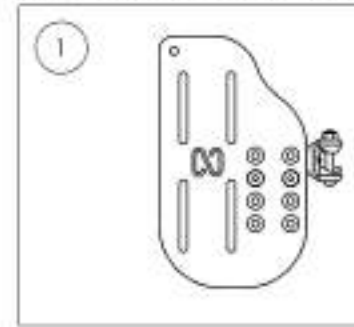
9001367_9001370

Footplate - Aluminium, Newton Angle Adjustable, Left, 8 in Depth

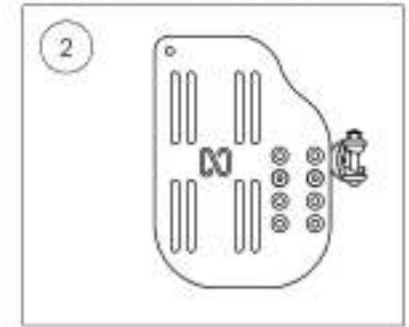
ITEM NO.	PARTNO	DESCRIPTION	9001367 /QTY.	9001368 /QTY.	9001369 /QTY.	9001370 /QTY.
1	31596	ADJUSTABLE NEWTON ALU FOOTPLATE 4.5 x 8 in. LEFT (WC WIDTH 12-13 in) - ASSEMBLY	1	-	-	-
2	31598	ADJUSTABLE NEWTON ALU FOOTPLATE 5.5 x 8 in. LEFT (WC WIDTH 14-16 in) - ASSEMBLY	-	1	-	-
3	31600	ADJUSTABLE NEWTON ALU FOOTPLATE 6.5 x 8 in. LEFT (WC WIDTH 17-18 in) - ASSEMBLY	-	-	1	-
4	31602	ADJUSTABLE NEWTON ALU FOOTPLATE 7.5 x 8 in. LEFT (WC WIDTH 19 in +) - ASSEMBLY	-	-	-	1



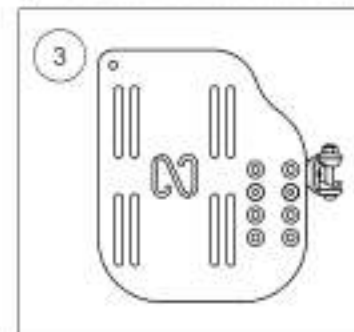
9001367
Footplate - Aluminium, Newton Angle Adjustable, Left, 4½ x 8 in (Wheelchair Width: 12 to 13 in)



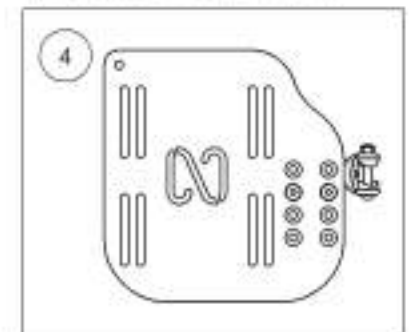
9001368
Footplate - Aluminium, Newton Angle Adjustable, Left, 5½ x 8 in (Wheelchair Width: 14 to 16 in)



9001369
Footplate - Aluminium, Newton Angle Adjustable, Left, 6½ x 8 in (Wheelchair Width: 17 to 18 in)



9001370
Footplate - Aluminium, Newton Angle Adjustable, Left, 7½ x 8 in (Wheelchair Width: 19 in +)

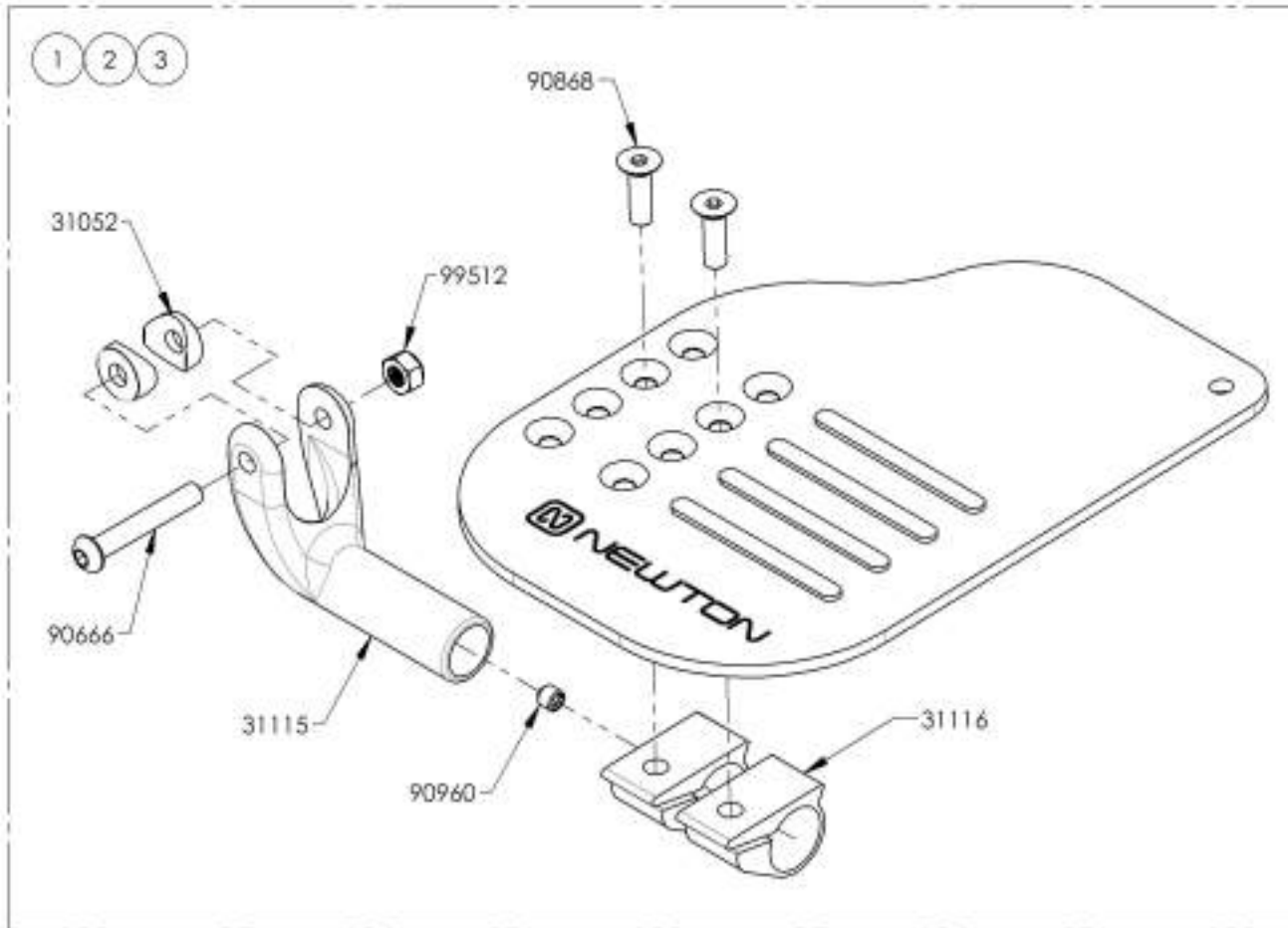


MAKE SURE TO HAVE YOUR SERIAL NUMBER NEARBY WHEN ORDERING PARTS FOR YOUR MOTION COMPOSITES WHEELCHAIR

9001384_9001386

Footplate - Carbon Fiber, Angle Adjustable, Right, 8 in Depth

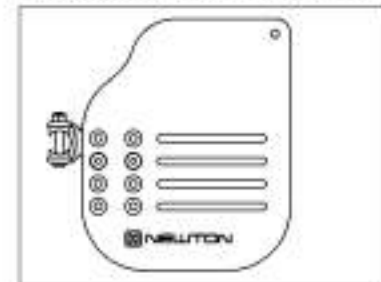
ITEM NO.	PARTNO	DESCRIPTION	9001384 /QTY.	9001385 /QTY.	9001386 /QTY.
1	31607	ADJUSTABLE NEWTON CARBON FOOTPLATE 5.5 x 8 in, RIGHT (WHEELCHAIR WIDTH 14-16 in) - ASSEMBLY	1	-	-
2	31609	ADJUSTABLE NEWTON CARBON FOOTPLATE 6.5 x 8 in, RIGHT (WHEELCHAIR WIDTH 17-18 in) - ASSEMBLY	-	1	-
3	31611	ADJUSTABLE NEWTON CARBON FOOTPLATE 7.5 x 8 in, RIGHT (WHEELCHAIR WIDTH 19 in+) - ASSEMBLY	-	-	1



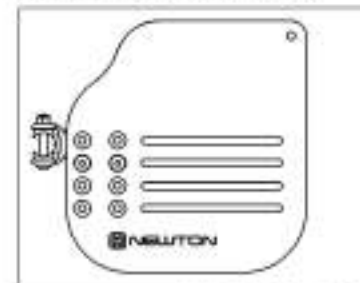
9001384
Footplate - Carbon Fiber, Angle Adjustable, Right, 5½ x 8 in (Wheelchair Width: 14 to 16 in)



9001385
Footplate - Carbon Fiber, Angle Adjustable, Right, 6½ x 8 in (Wheelchair Width: 17 to 18 in)



9001386
Footplate - Carbon Fiber, Angle Adjustable, Right, 7½ x 8 in (Wheelchair Width: 19 in+)

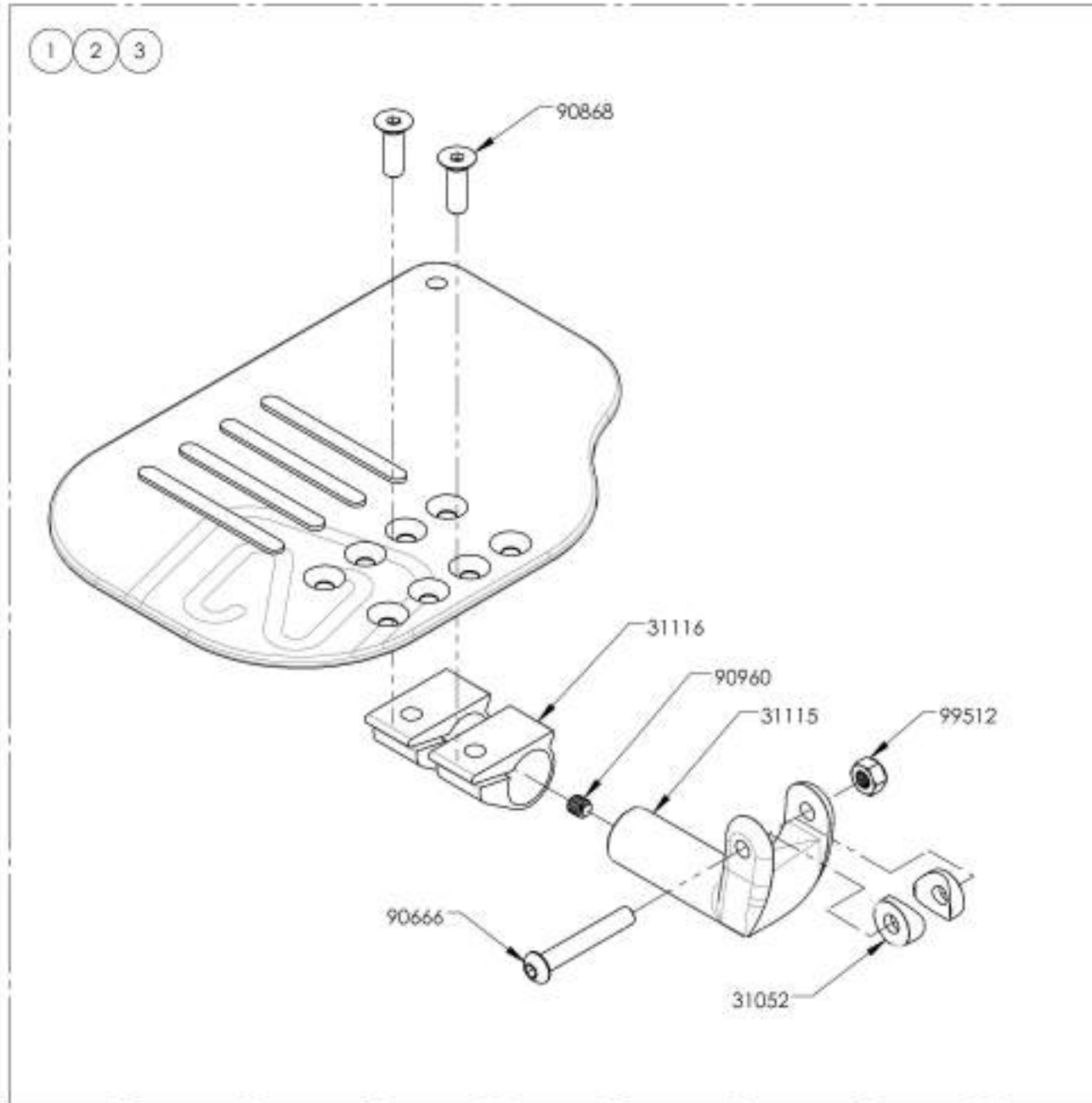


MAKE SURE TO HAVE YOUR SERIAL NUMBER NEARBY WHEN ORDERING PARTS FOR YOUR MOTION COMPOSITES WHEELCHAIR

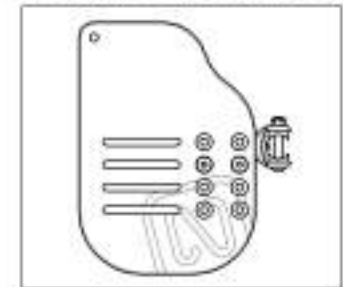
9001387_9001389

Footplate - Carbon Fiber, Angle adjustable, Left, 8 in Depth

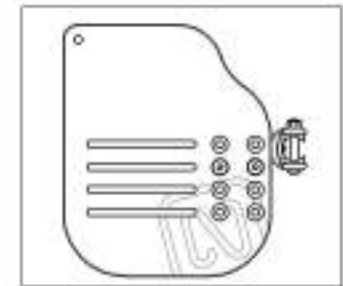
ITEM NO.	PARTNO	DESCRIPTION	9001387 /QTY.	9001388 /QTY.	9001389 /QTY.
1	31608	ADJUSTABLE NEWTON CARBON FOOTPLATE 5.5 x 8 in, LEFT (WHEELCHAIR WIDTH 14-16 in) - ASSEMBLY	1	-	-
2	31610	ADJUSTABLE NEWTON CARBON FOOTPLATE 6.5 x 8 in, LEFT (WHEELCHAIR WIDTH 17-18 in) - ASSEMBLY	-	1	-
3	31612	ADJUSTABLE NEWTON CARBON FOOTPLATE 7.5 x 8 in, LEFT (WHEELCHAIR WIDTH 19 in+) - ASSEMBLY	-	-	1



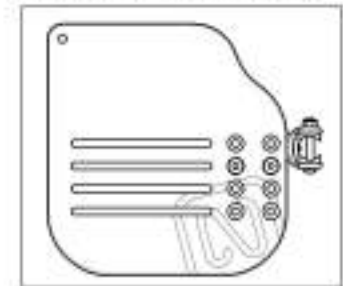
9001387
Footplate - Carbon Fiber, Angle Adjustable, Left, 5½ x 8 in (Wheelchair Width: 14 to 16 in)



9001388
Footplate - Carbon Fiber, Angle Adjustable, Left, 6½ x 8 in (Wheelchair Width: 17 to 18 in)



9001389
Footplate - Carbon Fiber, Angle Adjustable, Left, 7½ x 8 in (Wheelchair Width: 19 in+)

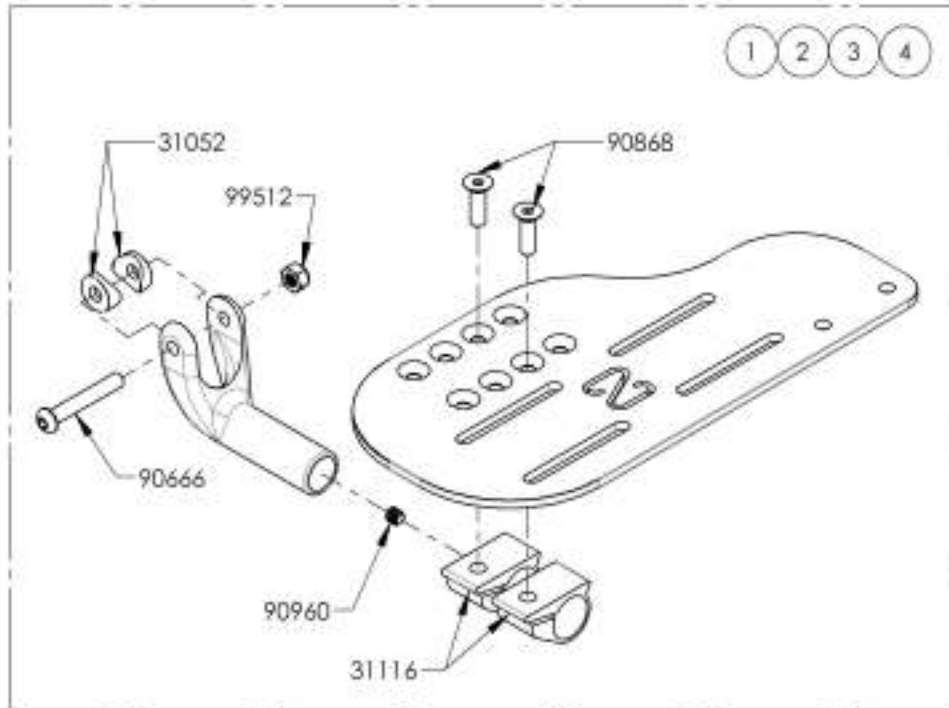


MAKE SURE TO HAVE YOUR SERIAL NUMBER NEARBY WHEN ORDERING PARTS FOR YOUR MOTION COMPOSITES WHEELCHAIR

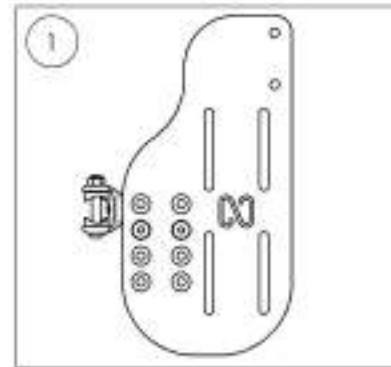
9001398_9001399 & 9002869_9002870

Footplate - Aluminium, Newton Angle Adjustable, Right, 9 1/2 in Depth

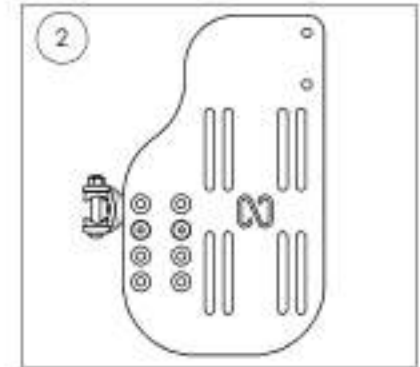
ITEM NO.	PART NO	DESCRIPTION	9001398 /QTY.	9001399 /QTY.	9002869 /QTY.	9002870 /QTY.
1	31 603	ADJUSTABLE NEWTON ALU FOOTPLATE 4.5 x 9.5 in. RIGHT (WHEELCHAIR WIDTH 12-13 in) - ASSEMBLY	1	-	-	-
2	31 605	ADJUSTABLE NEWTON ALU FOOTPLATE 5.5 x 9.5 in. RIGHT (WHEELCHAIR WIDTH 14-16 in) - ASSEMBLY	-	1	-	-
3	31 630	ADJUSTABLE NEWTON ALU FOOTPLATE 6.5 x 9.5 in. RIGHT (WHEELCHAIR WIDTH 17-18 in) - ASSEMBLY	-	-	1	-
4	31 632	ADJUSTABLE NEWTON ALU FOOTPLATE 7.5 x 9.5 in. RIGHT (WHEELCHAIR WIDTH 19 in +) - ASSEMBLY	-	-	-	1



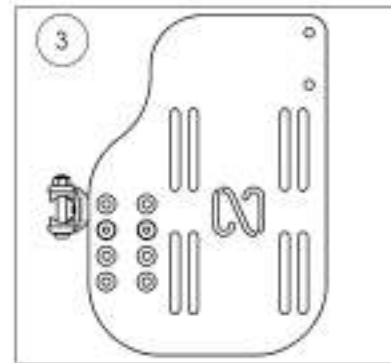
9001398
Footplate - Aluminium, Newton
Angle Adjustable, Right, 4 1/2 x 9 1/2 in
(Wheelchair Width: 12 to 13 in)



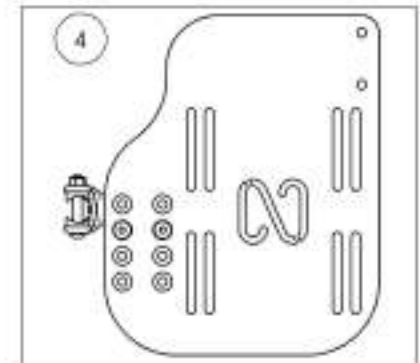
9001399
Footplate - Aluminium, Newton
Angle Adjustable, Right, 5 1/2 x 9 1/2 in
(Wheelchair Width: 14 to 16 in)



9002869
Footplate - Aluminium, Newton
Angle Adjustable, Right, 6 1/2 x 9 1/2 in
(Wheelchair Width: 17 to 18 in)



9002870
Footplate - Aluminium, Newton
Angle Adjustable, Right, 7 1/2 x 9 1/2 in
(Wheelchair Width: 19 in +)

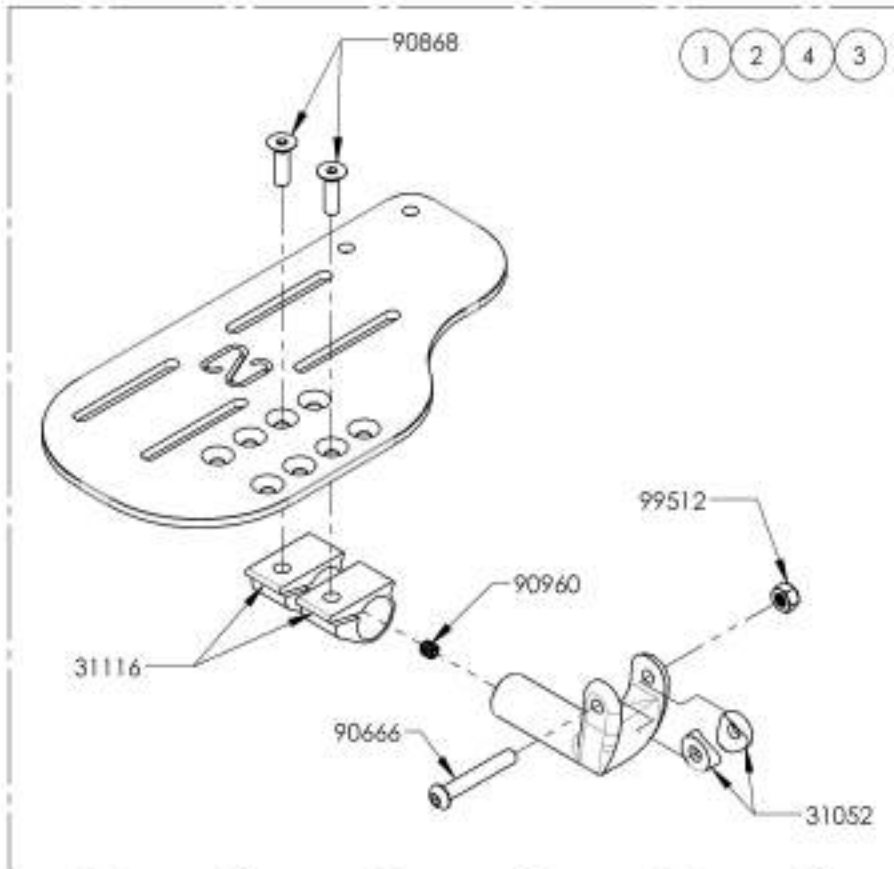


MAKE SURE TO HAVE YOUR SERIAL NUMBER
NEARBY WHEN ORDERING PARTS FOR YOUR
MOTION COMPOSITES WHEELCHAIR

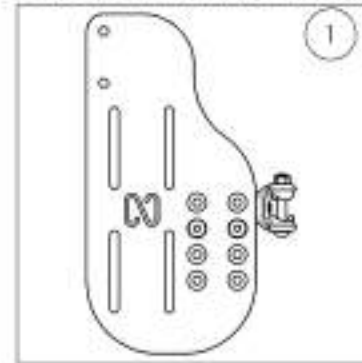
9001400_9001401 & 9002871_9002872

Footplate - Aluminium, Newton Angle Adjustable, Left, 9½ in Depth

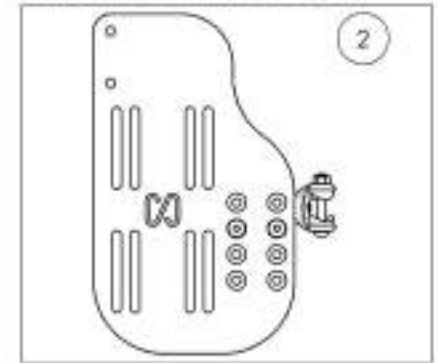
ITEM NO.	PARTNO	DESCRIPTION	9001400 /QTY.	9001401 /QTY.	9002871 /QTY.	9002872 /QTY.
1	31604	ADJUSTABLE NEWTON ALU FOOTPLATE 4.5 x 9.5 in, LEFT (WHEELCHAIR WIDTH 12-13 in) - ASSEMBLY	1	-	-	-
2	31606	ADJUSTABLE NEWTON ALU FOOTPLATE 5.5 x 9.5 in, LEFT (WHEELCHAIR WIDTH 14-16 in) - ASSEMBLY	-	1	-	-
3	31631	ADJUSTABLE NEWTON ALU FOOTPLATE 6.5 x 9.5 in, LEFT (WHEELCHAIR WIDTH 17-18 in) - ASSEMBLY	-	-	1	-
4	31633	ADJUSTABLE NEWTON ALU FOOTPLATE 7.5 x 9.5 in, LEFT (WHEELCHAIR WIDTH 19 in +) - ASSEMBLY	-	-	-	1



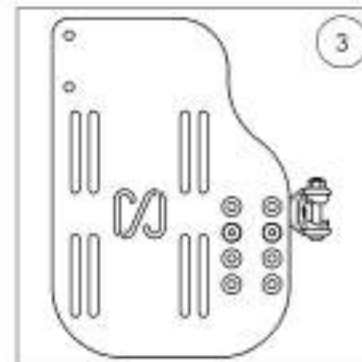
9001400
Footplate - Aluminium, Newton Angle Adjustable, Left, 4½ x 9½ in (Wheelchair Width: 12 to 13 in)



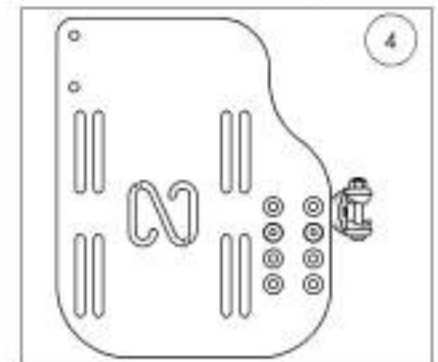
9001401
Footplate - Aluminium, Newton Angle Adjustable, Left, 5½ x 9½ in (Wheelchair Width: 14 to 16 in)



9002871
Footplate - Aluminium, Newton Angle Adjustable, Left, 6½ x 9½ in (Wheelchair Width: 17 to 18 in)



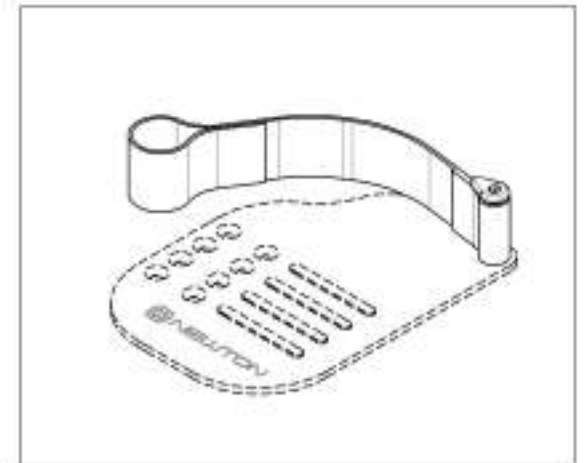
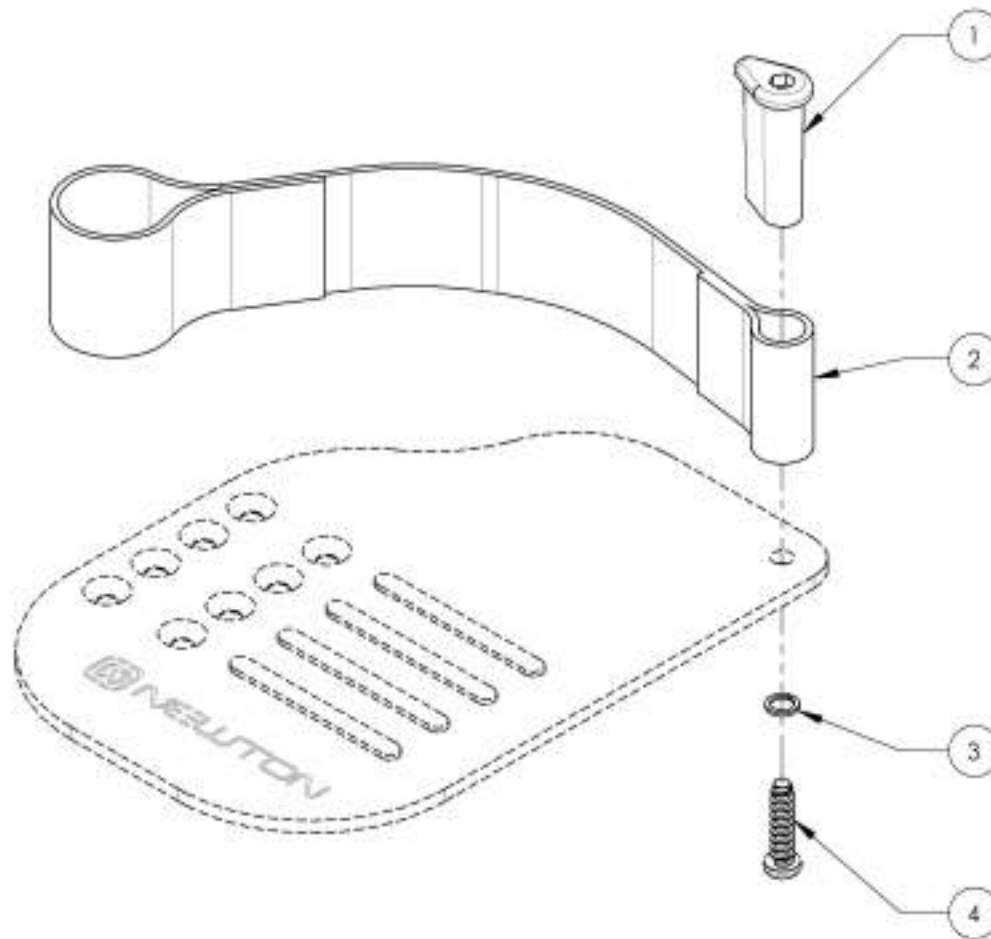
9002872
Footplate - Aluminium, Newton Angle Adjustable, Left, 7½ x 9½ in (Wheelchair Width: 19 in +)



MAKE SURE TO HAVE YOUR SERIAL NUMBER NEARBY WHEN ORDERING PARTS FOR YOUR MOTION COMPOSITES WHEELCHAIR

9001411
Heel Loop - Length Adjustable

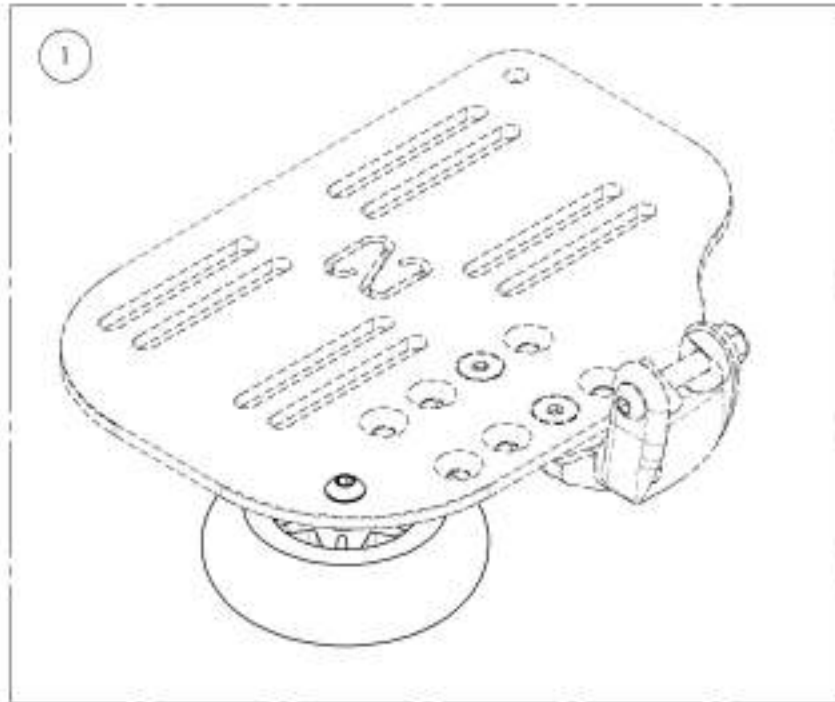
ITEM NO.	PARTNO	DESCRIPTION	9001411 /QTY.
1	31016	HEEL LOOP PIN (M)	1
2	31045	ADJUSTABLE HEEL LOOP	1
3	99559	COLLAR LOCKWASHER 1_4	1
4	91024	LOW PROFIL CAP SCREW M6 X 2,54 X 25mm	1



MAKE SURE TO HAVE YOUR SERIAL NUMBER
 NEARBY WHEN ORDERING PARTS FOR YOUR
 MOTION COMPOSITES WHEELCHAIR

Footrests Catalogue
Roller Bumper

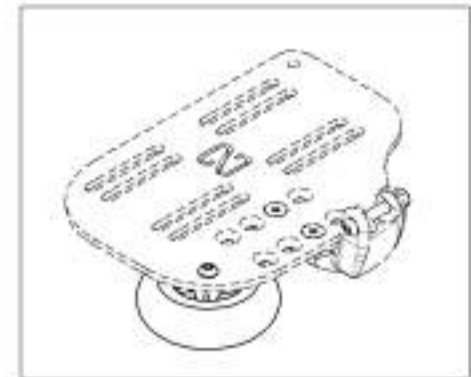
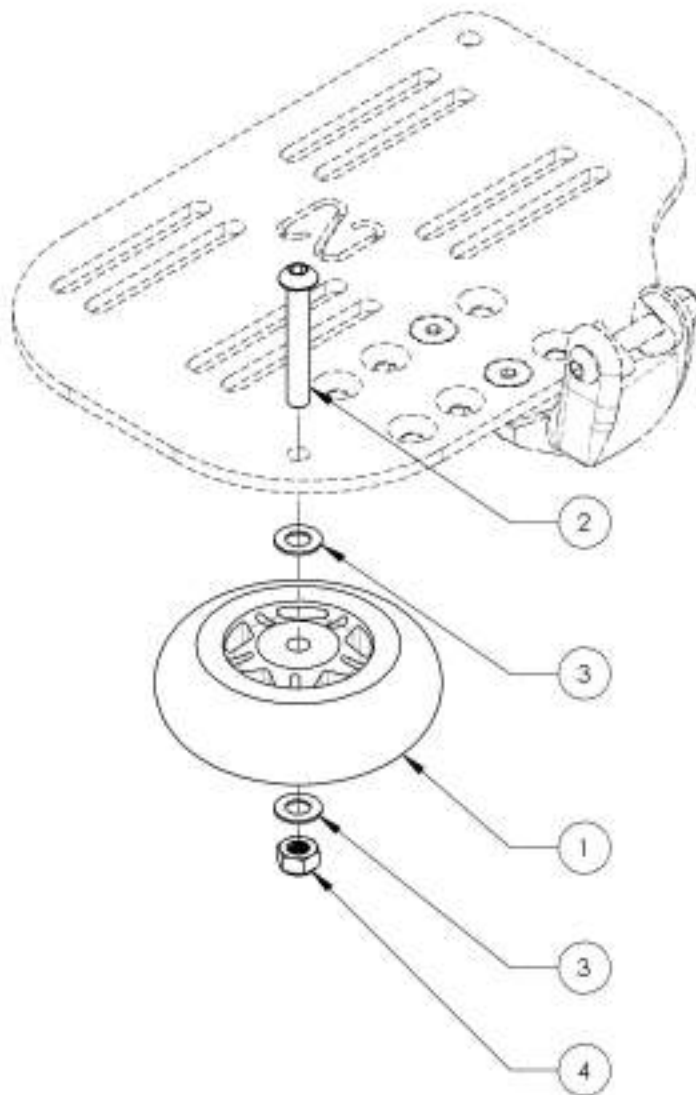
ITEM NO.	PARTNO	DESCRIPTION	QTY
1	9001753	Bumper - Roller Bumper, Front	1



MAKE SURE TO HAVE YOUR SERIAL NUMBER
NEARBY WHEN ORDERING PARTS FOR YOUR
MOTION COMPOSITES WHEELCHAIR

9001753
Bumper - Roller Bumper, Front

ITEM NO.	PARTNO	DESCRIPTION	9001753 /QTY.
1	2201 6	3" x 1" STANDARD CASTER	1
2	90666	BUTTON HEAD CAP SCREW MAX1 X 40mm LONG, 24mm THREADED + BLUE THREADLOCKER - BLACK ZINC	1
3	99560	WASHER 1/4 17/64 ID X 1/2 OD X .032 THK.	2
4	9901 2	M6 LOW NYLON LOCK	1



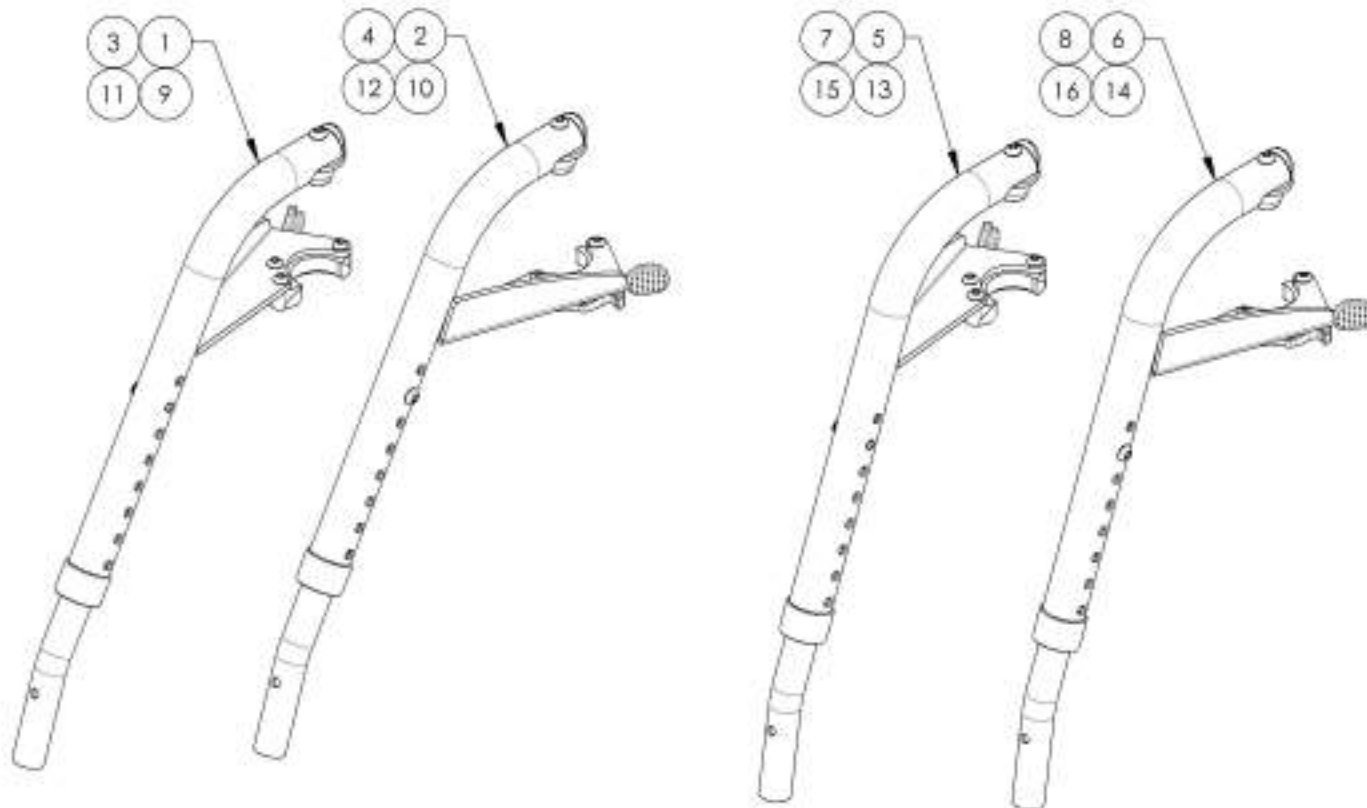
MAKE SURE TO HAVE YOUR SERIAL NUMBER
 NEARBY WHEN ORDERING PARTS FOR YOUR
 MOTION COMPOSITES WHEELCHAIR

Footrests Catalogue
Footrests - Swing-Out

AVAILABLE RANGES

- 13.5 - 17.5" = Short Extension
- 15.5 - 19.5" = Short Extension
- 17 - 21" = Long Extension

ITEM NO.	PARTNO	DESCRIPTION	QTY.
1	9001350	Footrest - Swing-Out, Right, 60°, Short Extension - Black	1
2	9001352	Footrest - Swing-Out, Left, 60°, Short Extension - Black	1
3	9002198	Footrest - Swing-Out, Right, 60°, Short Extension (Specify Color)	1
4	9002200	Footrest - Swing-Out, Left, 60°, Short Extension (Specify Color)	1
5	9001351	Footrest - Swing-Out, Right, 70°, Short Extension - Black	1
6	9001353	Footrest - Swing-Out, Left, 70°, Short Extension - Black	1
7	9002199	Footrest - Swing-Out, Right, 70°, Short Extension (Specify Color)	1
8	9002201	Footrest - Swing-Out, Left, 70°, Short Extension (Specify Color)	1
9	9003286	Footrest - Swing-Out, Right, 60°, Long Extension - Black	1
10	9003288	Footrest - Swing-Out, Left, 60°, Long Extension - Black	1
11	9003290	Footrest - Swing-Out, Right, 60°, Long Extension (Specify Color)	1
12	9003292	Footrest - Swing-Out, Left, 60°, Long Extension (Specify Color)	1
13	9003287	Footrest - Swing-Out, Right, 70°, Long Extension - Black	1
14	9003289	Footrest - Swing-Out, Left, 70°, Long Extension - Black	1
15	9003291	Footrest - Swing-Out, Right, 70°, Long Extension (Specify Color)	1
16	9003293	Footrest - Swing-Out, Left, 70°, Long Extension (Specify Color)	1

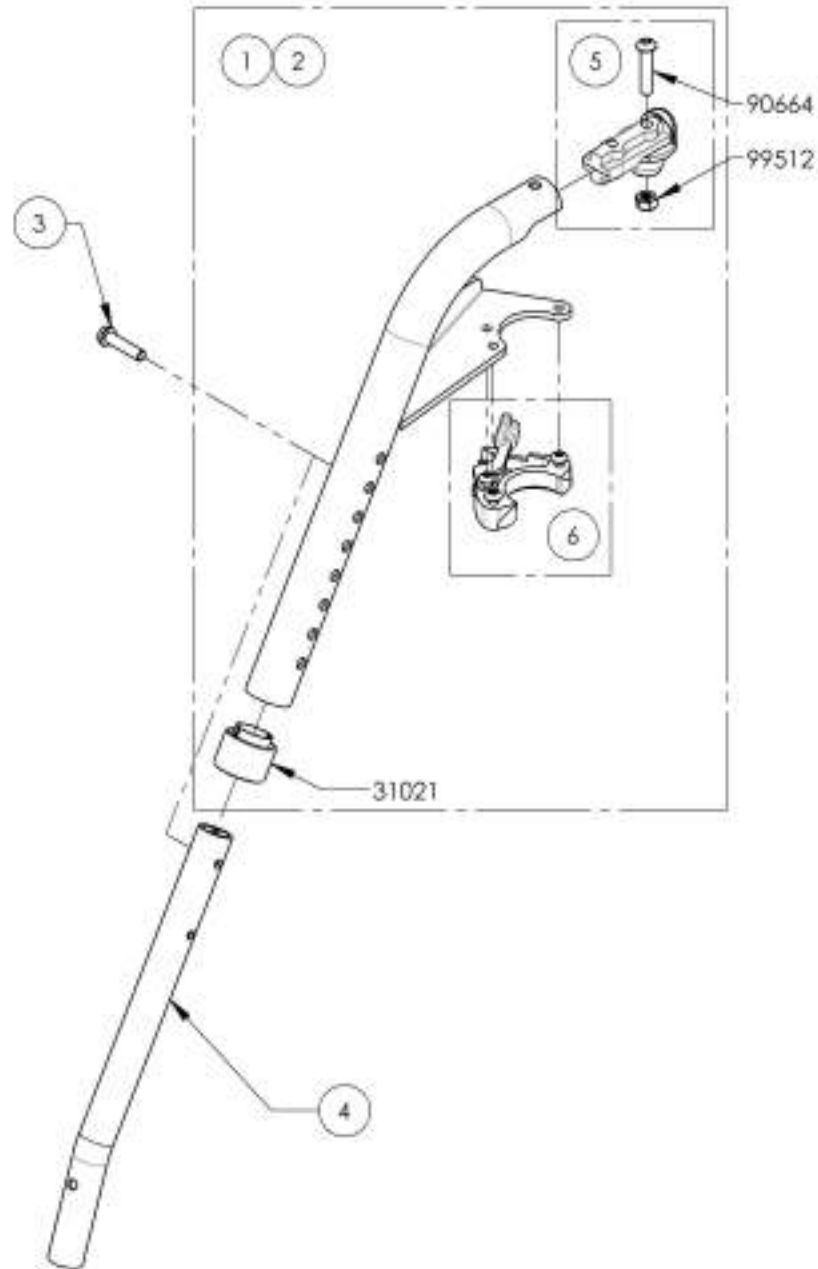


AVAILABLE COLORS
 (Specify Color)



MAKE SURE TO HAVE YOUR SERIAL NUMBER NEARBY WHEN ORDERING PARTS FOR YOUR MOTION COMPOSITES WHEELCHAIR

9001350_9001351
Footrest - Swing-Out, Right, Short Extension - Black



ITEM NO.	PARTNO	DESCRIPTION	9001350 /QTY.	9001351 /QTY.	REPLACEMENT PARTS/QTY.
1	31500	C1 60 DEG LEGREST RIGHT - ASSEMBLY	1	-	-
2	31502	C1 70 DEG LEGREST RIGHT - ASSEMBLY	-	1	-
3	91042	BUTTON HEAD SHOULDER M6X1X25 + BLUE THREADLOCKER	1	1	-
4	31020	FOOTREST EXTENSION MEDIUM	1	1	-
5	31551	V2 FOOTREST PIVOT - ASSEMBLY	-	-	1
6	31520	C1 HANGER LATCH + TRIGGER RIGHT SPARE PARTS KIT	-	-	1

9001350
 Footrest - Swing-Out, Right,
 60°, Short Extension - Black



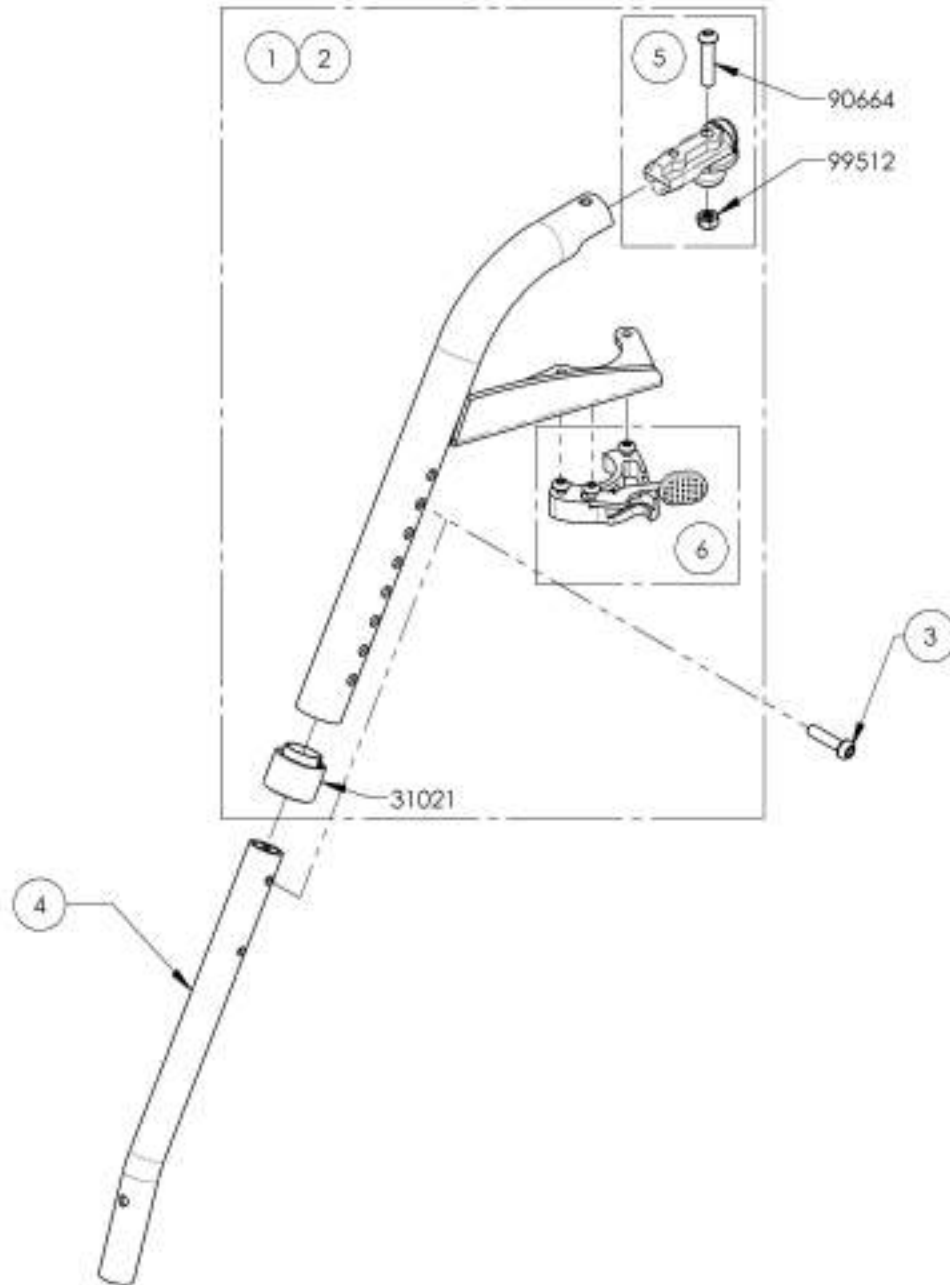
9001351 -
 Footrest - Swing-Out, Right,
 70°, Short Extension - Black



MAKE SURE TO HAVE YOUR SERIAL NUMBER
 NEARBY WHEN ORDERING PARTS FOR YOUR
 MOTION COMPOSITES WHEELCHAIR

9001352_9001353

Footrest - Swing-Out, Left, Short Extension - Black



ITEM NO.	PARTNO	DESCRIPTION	9001352 /QTY.	9001353 /QTY.	REPLACEMENT PARTS/QTY.
1	31501	C1 60 DEG LEGREST LEFT - ASSEMBLY	1	-	-
2	31503	C1 70 DEG LEGREST LEFT - ASSEMBLY	-	1	-
3	91042	BUTTON HEAD SHOULDER M&K1X25 + BLUE THREADLOCKER	1	1	-
4	31020	FOOTREST EXTENSION MEDIUM	1	1	-
5	31551	V2 FOOTREST PIVOT - ASSEMBLY	-	-	1
6	31519	C1 HANGER LATCH + TRIGGER LEFT SPARE PARTS KIT	-	-	1

9001352
Footrest - Swing-Out, Left,
60°, Short Extension - Black



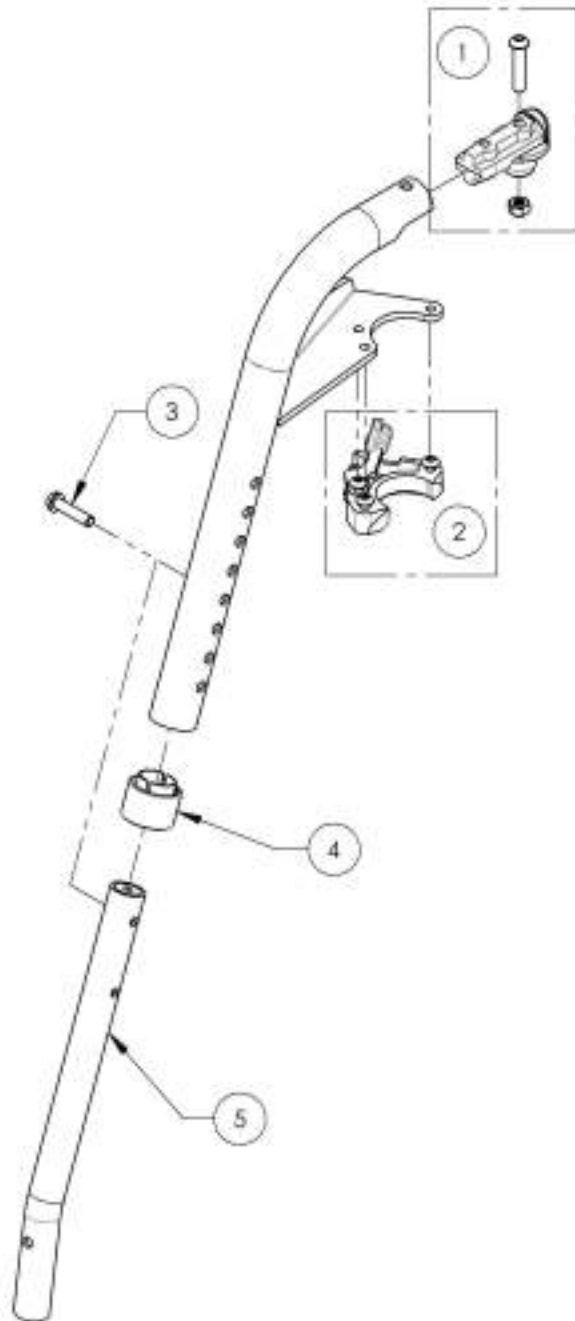
9001353
Footrest - Swing-Out, Left,
70°, Short Extension - Black



MAKE SURE TO HAVE YOUR SERIAL NUMBER
NEARBY WHEN ORDERING PARTS FOR YOUR
MOTION COMPOSITES WHEELCHAIR

9002198_9002199

Footrest - Swing-Out, Right, Short Extension (Specify Color)



ITEM NO.	PART NO.	DESCRIPTION	9002198 /QTY.	9002199 /QTY.
1	31551	V2 FOOTREST PIVOT - ASSEMBLY	1	1
2	31520	C1 HANDER LATCH + TRIGGER RIGHT SPARE PARTS KIT	1	1
3	91042	BUTTON HEAD SHOULDER M6X1 X25 + BLUE THREADLOCKER	1	1
4	31021	EXTENSION SLEEVE	1	1
5	31020	FOOTREST EXTENSION MEDIUM	1	1

9002198
Footrest - Swing-Out, Right, 60°
Short Extension (Specify Color)



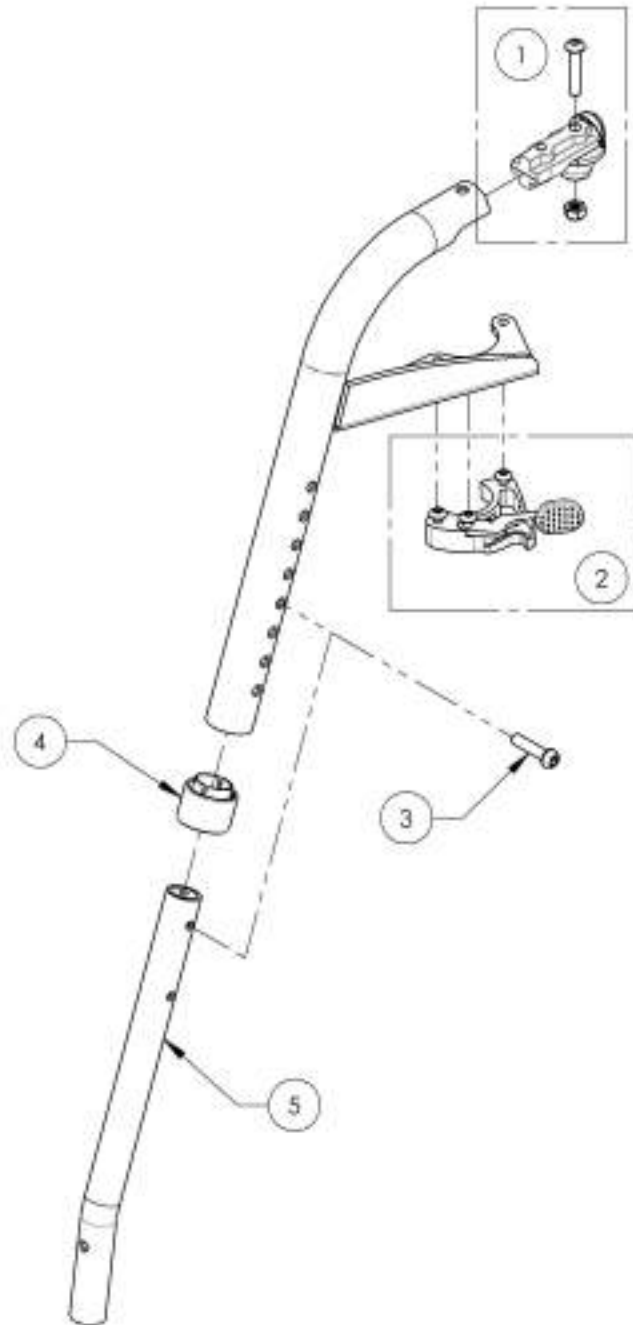
9002199
Footrest - Swing-Out, Right, 70°
Short Extension (Specify Color)



MAKE SURE TO HAVE YOUR SERIAL NUMBER
NEARBY WHEN ORDERING PARTS FOR YOUR
MOTION COMPOSITES WHEELCHAIR

9002200 9002201

Footrest - Swing-Out, Left, Short Extension (Specify Color)



ITEM NO.	PART NO	DESCRIPTION	9002200 /QTY.	9002201 /QTY.
1	31 551	V2 FOOTREST PIVOT - ASSEMBLY	1	1
2	31 519	C1 HANGER LATCH + TRIGGER LEFT SPARE PARTS KIT	1	1
3	91 042	BUTTON HEAD SHOULDER M6X1 X25 + BLUE THREADLOCKER	1	1
4	31 021	EXTENSION SLEEVE	1	1
5	31 020	FOOTREST EXTENSION MEDIUM	1	1

9002200
Footrest - Swing-Out, Left, 60°, Short Extension (Specify Color)



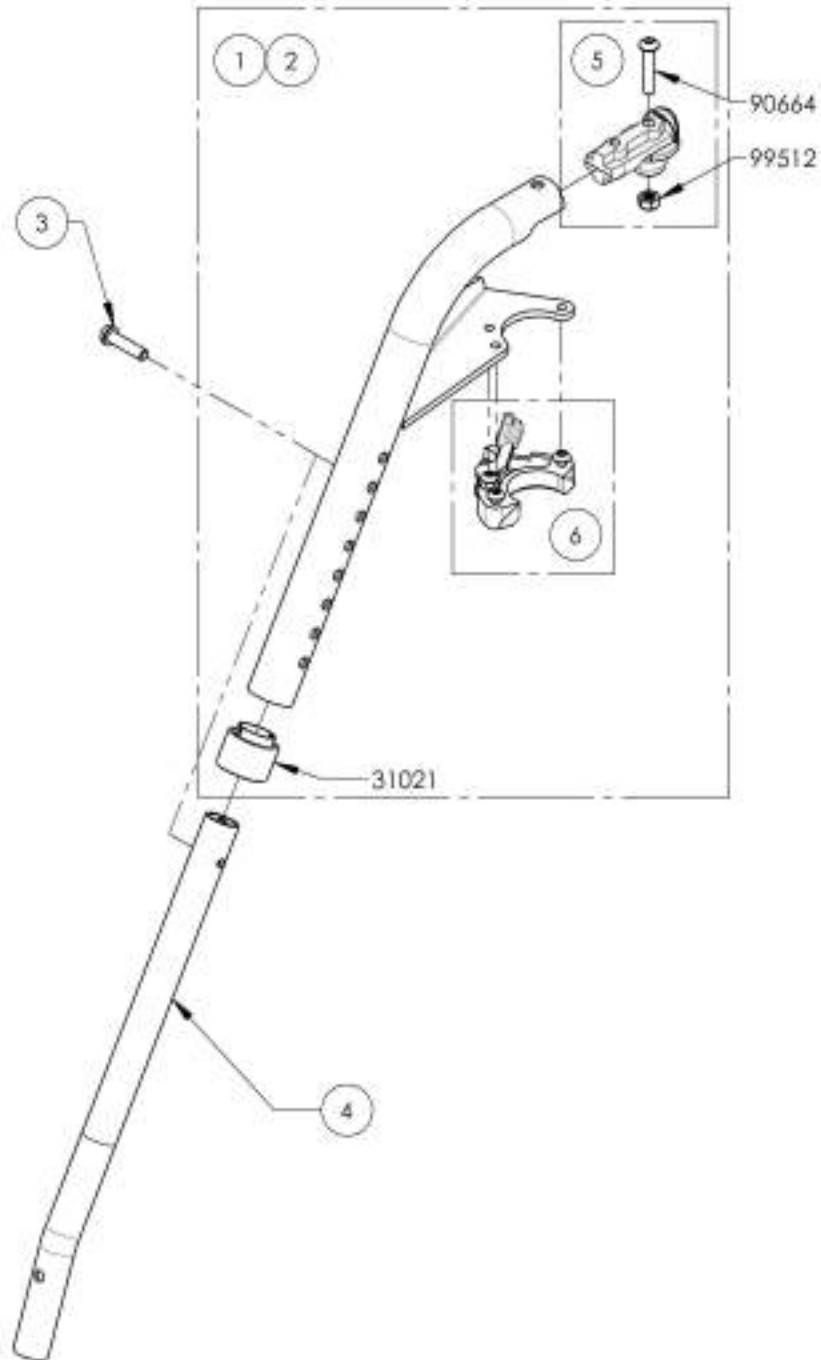
9002201
Footrest - Swing-Out, Left, 70°, Short Extension (Specify Color)



MAKE SURE TO HAVE YOUR SERIAL NUMBER NEARBY WHEN ORDERING PARTS FOR YOUR MOTION COMPOSITES WHEELCHAIR

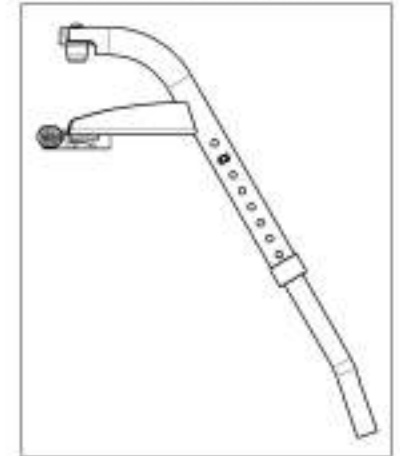
9003286_9003287

Footrest - Swing-Out, Right, Long Extension - Black



ITEM NO.	PARTNO	DESCRIPTION	9003286 /QTY.	9003287 /QTY.	REPLACEMENT PARTS/QTY.
1	31500	C1 60 DEG LEGREST RIGHT - ASSEMBLY	1	-	-
2	31502	C1 70 DEG LEGREST RIGHT - ASSEMBLY	-	1	-
3	91042	BUTTON HEAD SHOULDER M6X1X25 + BLUE THREADLOCKER	1	1	-
4	31059	FOOTREST EXTENSION LARGE	1	1	-
5	31551	V2 FOOTREST PIVOT - ASSEMBLY	1	-	1
6	31520	C1 HANGER LATCH + TRIGGER RIGHT SPARE PARTS KIT	-	-	1

9003286
Footrest - Swing-Out, Right,
60°, Long Extension - Black



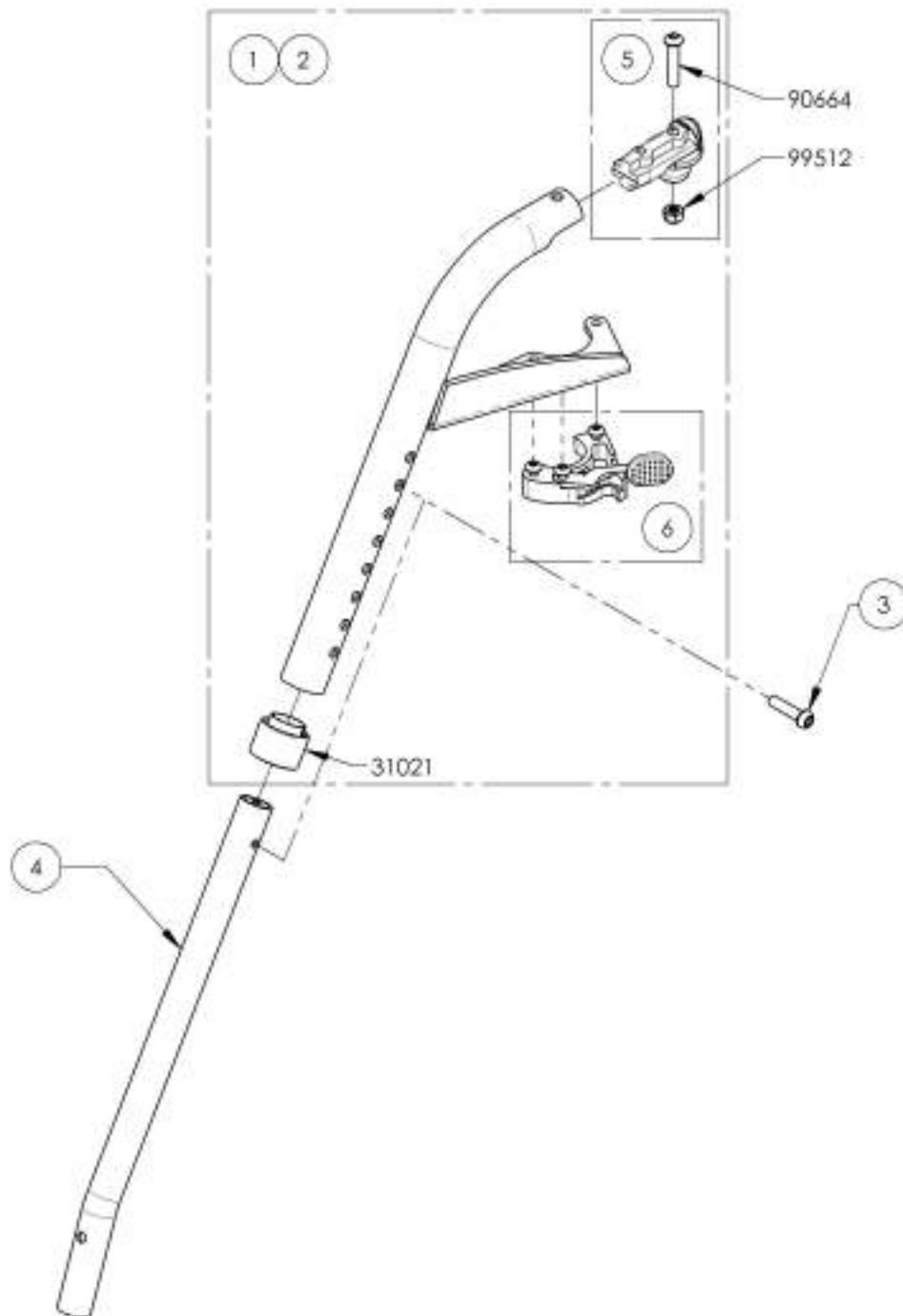
9003287 -
Footrest - Swing-Out, Right,
70°, Long Extension - Black



MAKE SURE TO HAVE YOUR SERIAL NUMBER
NEARBY WHEN ORDERING PARTS FOR YOUR
MOTION COMPOSITES WHEELCHAIR

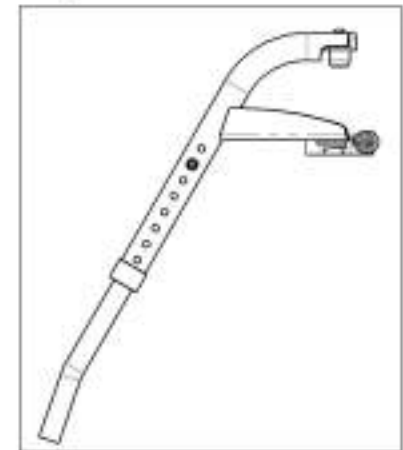
9003288 9003289

Footrest - Swing-Out, Left, Long Extension - Black

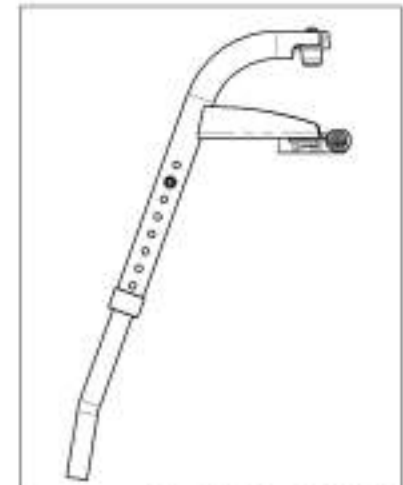


ITEM NO.	PARTNO	DESCRIPTION	9003288 /QTY.	9003289 /QTY.	REPLACEMENT PARTS/QTY.
1	31501	C1 60 DEG LEGREST LEFT - ASSEMBLY	1	-	-
2	31503	C1 70 DEG LEGREST LEFT - ASSEMBLY	-	1	-
3	91042	BUTTON HEAD SHOULDER #6X1X25 + BLUE THREADLOCKER	1	1	-
4	31059	FOOTREST EXTENSION LARGE	1	1	-
5	31551	V2 FOOTREST PIVOT - ASSEMBLY	-	-	1
6	31519	C1 HANGER LATCH + TRIGGER LEFT SPARE PARTS KIT	-	-	1

9003288
Footrest - Swing-Out, Left, 60°, Long Extension - Black



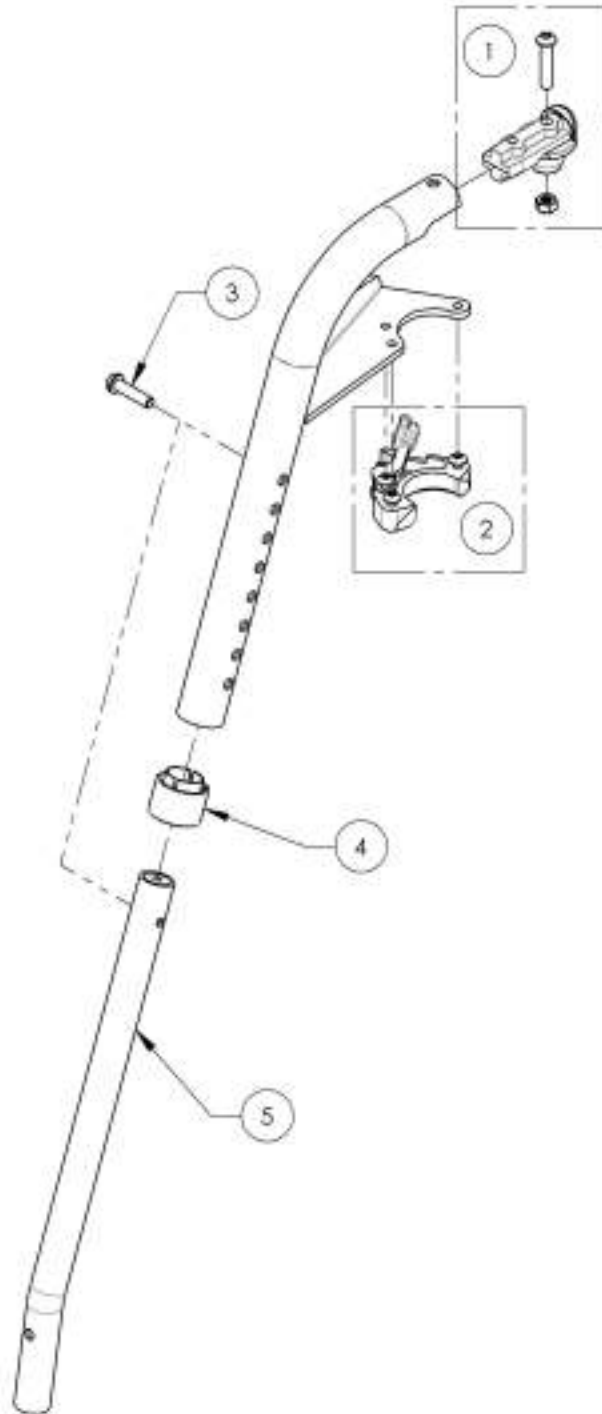
9003289
Footrest - Swing-Out, Left, 70°, Long Extension - Black



MAKE SURE TO HAVE YOUR SERIAL NUMBER NEARBY WHEN ORDERING PARTS FOR YOUR MOTION COMPOSITES WHEELCHAIR

9003290 9003291

Footrest - Swing-Out, Right, Long Extension (Specify Color)



ITEM NO.	PART NO.	DESCRIPTION	9003290 /QTY.	9003291 /QTY.
1	31551	V2 FOOTREST PIVOT - ASSEMBLY	1	1
2	31520	C1 HANDER LATCH + TRIGGER RIGHT SPARE PARTS KIT	1	1
3	91042	BUTTON HEAD SHOULDER M6X1 X25 + BLUE THREADLOCKER	1	1
4	31021	EXTENSION SLEEVE	1	1
5	31059	FOOTREST EXTENSION LARGE	1	1

9003290
Footrest - Swing-Out, Right, 60°
Long Extension (Specify Color)



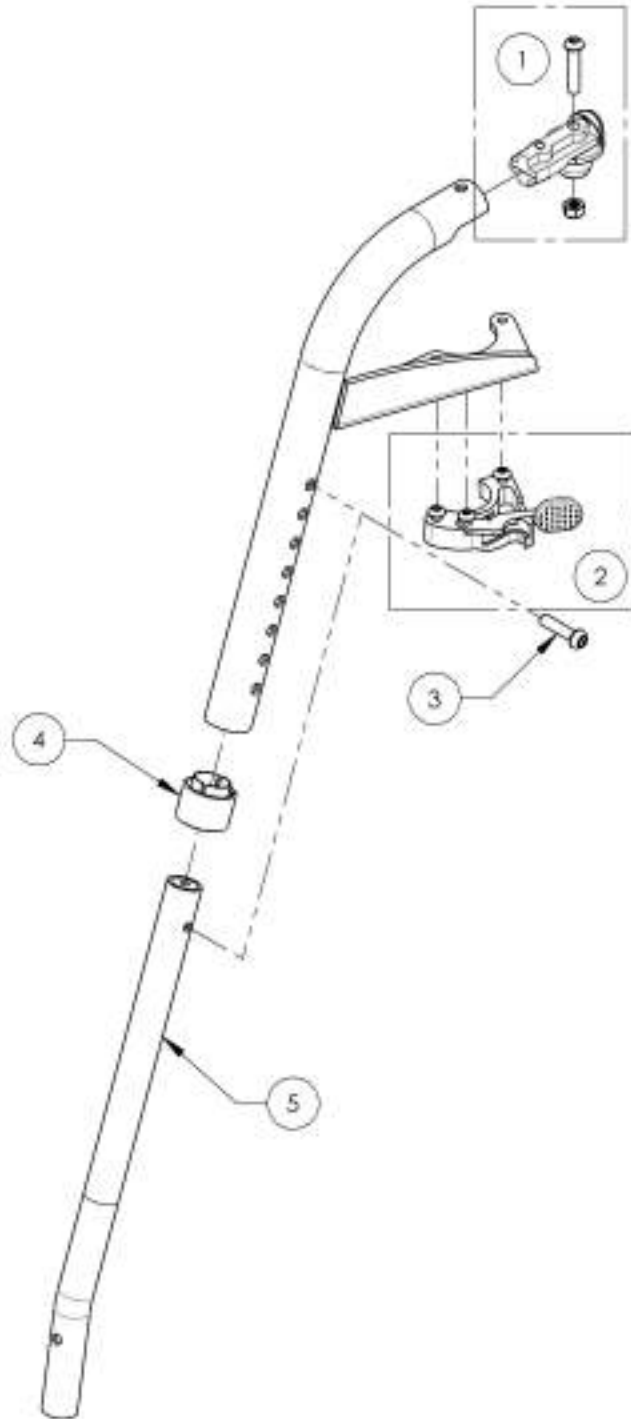
9003291
Footrest - Swing-Out, Right, 70°
Long Extension (Specify Color)



MAKE SURE TO HAVE YOUR SERIAL NUMBER
NEARBY WHEN ORDERING PARTS FOR YOUR
MOTION COMPOSITES WHEELCHAIR

9003292_9003293

Footrest - Swing-Out, Left, Long Extension (Specify Color)



ITEM NO.	PART NO	DESCRIPTION	9003292 /QTY.	9003293 /QTY.
1	31 551	V2 FOOTREST PIVOT - ASSEMBLY	1	1
2	31 519	C1 HANGER LATCH + TRIGGER LEFT SPARE PARTS KIT	1	1
3	91 042	BUTTON HEAD SHOULDER M6X1 X25 + BLUE THREADLOCKER	1	1
4	31 021	EXTENSION SLEEVE	1	1
5	31 059	FOOTREST EXTENSION LARGE	1	1

9003292
Footrest - Swing-Out, Left, 60°,
Long Extension (Specify Color)



9003293
Footrest - Swing-Out, Left, 70°,
Long Extension (Specify Color)



FUCHSIA



SUN-KISSED ORANGE
ORANGE TANGERINE



SAPPHIRE BLUE
BLEU SAPHIRE



BURGUNDY
BOURGOGNE



ACID GREEN
VERT ACIDE



STEEL BLUE
BLEU ACIER



FERRARI RED
ROUGE FERRARI



MONSTER GREEN
VERT MONSTRE

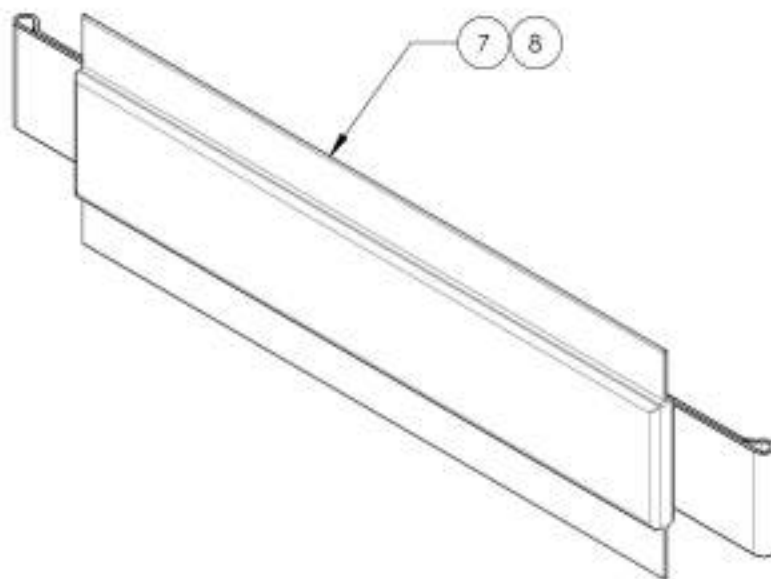
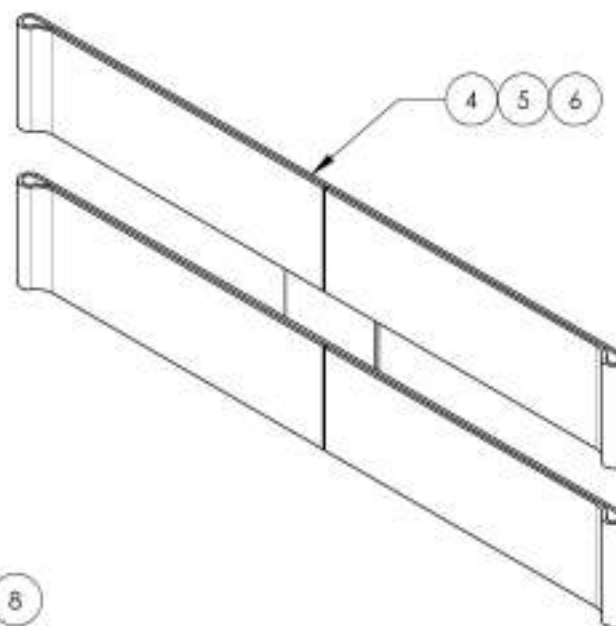
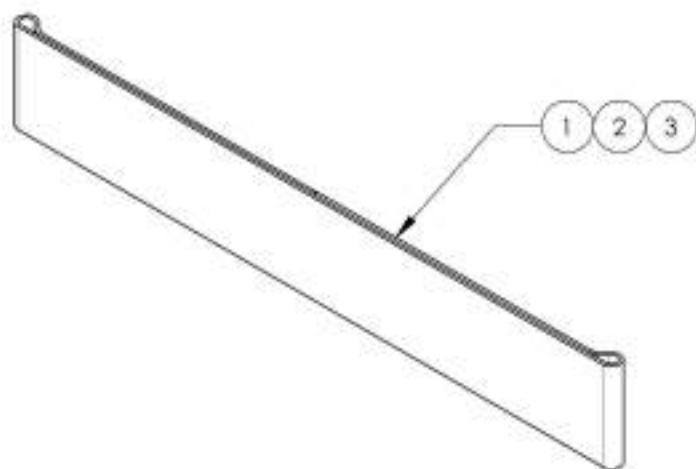


CHARCOAL
ANTHRACITE

MAKE SURE TO HAVE YOUR SERIAL NUMBER
NEARBY WHEN ORDERING PARTS FOR YOUR
MOTION COMPOSITES WHEELCHAIR

Footrests Catalogue
Calf Straps

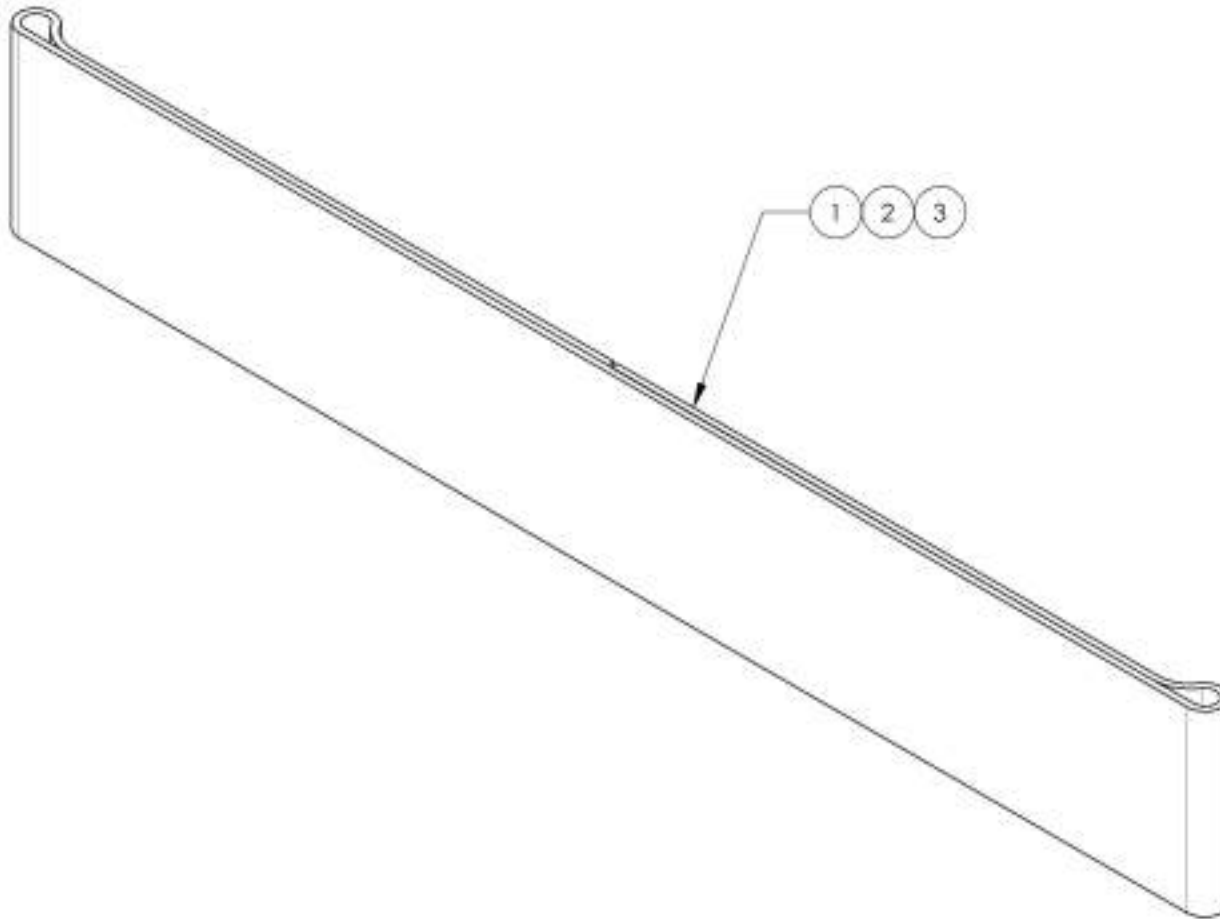
ITEM NO.	PARTNO	DESCRIPTION	QTY.
1	9001068	Calf Strap - Non-Padded (Wheelchair Width: 12 to 14 in)	1
2	9001412	Calf Strap - Non-Padded (Wheelchair Width: 15 to 17 in)	1
3	9001413	Calf Strap - Non-Padded (Wheelchair Width: 18 to 22 in)	1
4	9001580	Calf Strap - Double, Non-Padded (Wheelchair Width: 12 to 14 in)	1
5	9002140	Calf Strap - Double, Non-Padded (Wheelchair Width: 15 to 17 in)	1
6	9002141	Calf Strap - Double, Non-Padded (Wheelchair Width: 18 to 22 in)	1
7	9001414	Calf Strap - Padded (Wheelchair Width: 15 to 17 in)	1
8	9001415	Calf Strap - Padded (Wheelchair Width: 18 to 22 in)	1



MAKE SURE TO HAVE YOUR SERIAL NUMBER
 NEARBY WHEN ORDERING PARTS FOR YOUR
 MOTION COMPOSITES WHEELCHAIR

9001068 & 9001412_9001413
Calf Straps - Non Padded

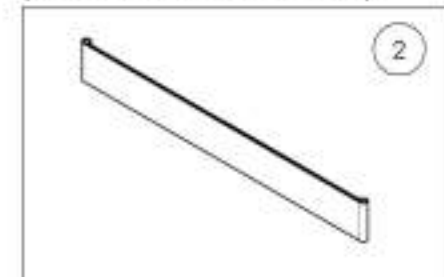
ITEM NO.	PARTNO	DESCRIPTION	9001068 /QTY.	9001412 /QTY.	9001413 /QTY.
1	31159	SIMPLE CALF STRAP 12-14 in	1	-	-
2	31046	SIMPLE CALF STRAP 15-17 in	-	1	-
3	31047	SIMPLE CALF STRAP 18-22 in	-	-	1



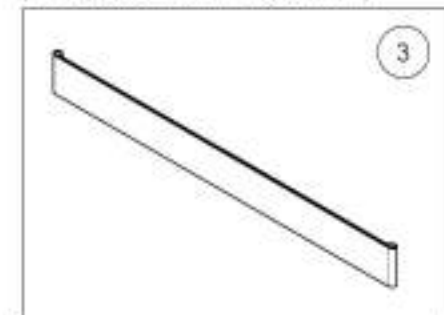
9001068
 Calf Strap - Non Padded
 (Wheelchair Width: 12 to 14 in)



9001412
 Calf Strap - Non Padded
 (Wheelchair Width: 15 to 17 in)



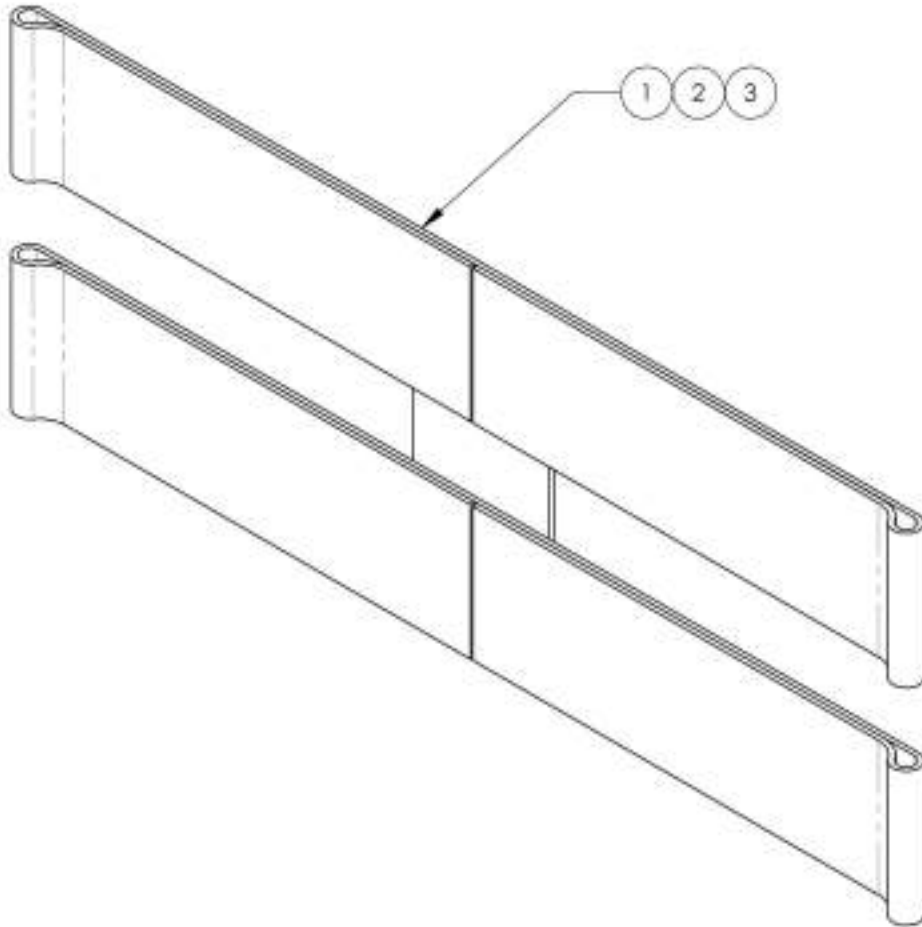
9001413
 Calf Strap - Non Padded
 (Wheelchair Width: 18 to 22 in)



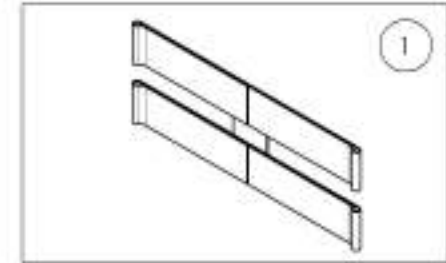
MAKE SURE TO HAVE YOUR SERIAL NUMBER
 NEARBY WHEN ORDERING PARTS FOR YOUR
 MOTION COMPOSITES WHEELCHAIR

**9001580 & 9002140 9002141
Calf Strap - Double, Non-Padded**

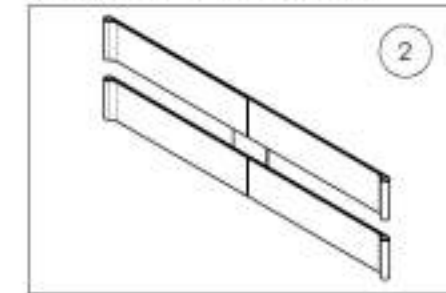
ITEM NO.	PART NO	DESCRIPTION	9001580 /QTY.	9002140 /QTY.	9002141 /QTY.
1	31293	DOUBLE CALF STRAP 12-14 in	1	-	-
2	31281	DOUBLE CALF STRAP 15-17 in	-	1	-
3	31282	DOUBLE CALF STRAP 18-22 in	-	-	1



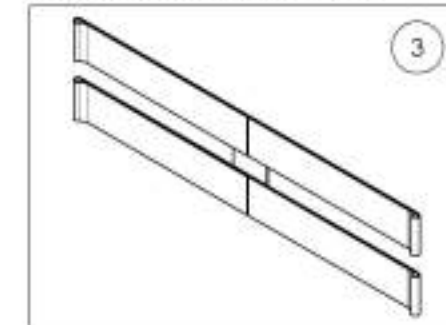
9001580
Calf Strap - Double, Non-Padded
(Wheelchair Width: 12 to 14 in)



9002140
Calf Strap - Double, Non-Padded
(Wheelchair Width: 15 to 17 in)



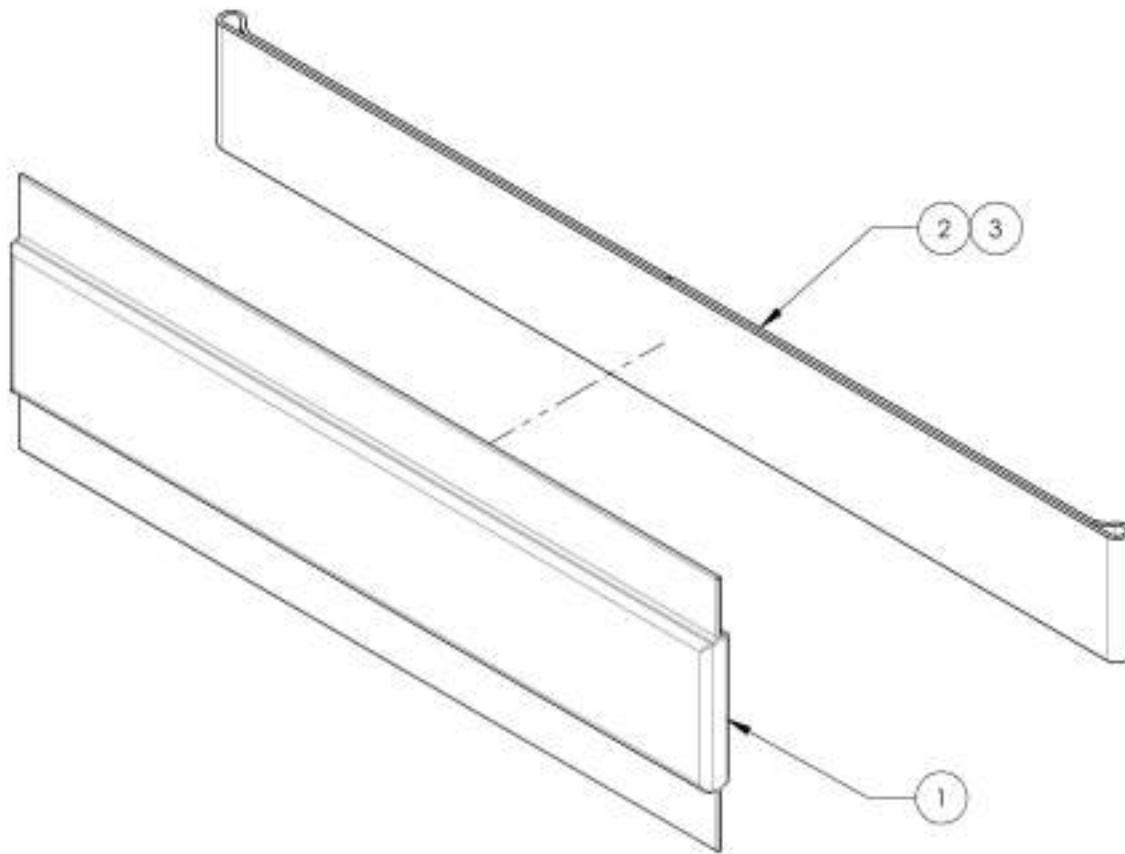
9002141
Calf Strap - Double, Non-Padded
(Wheelchair Width: 18 to 22 in)



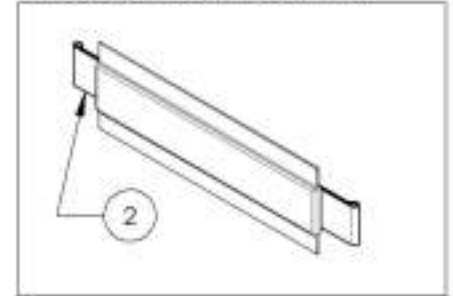
MAKE SURE TO HAVE YOUR SERIAL NUMBER
NEARBY WHEN ORDERING PARTS FOR YOUR
MOTION COMPOSITES WHEELCHAIR

9001414_9001415
Calf Straps - Padded

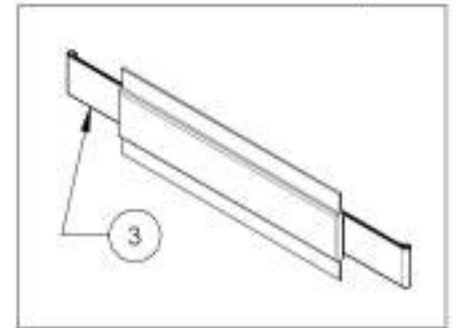
ITEM NO.	PART NO.	DESCRIPTION	9001414 /QTY.	9001415 /QTY.
1	31061	PADDED CALF PAD	1	1
2	31046	SIMPLE CALF STRAP 15-17 in.	1	-
3	31047	SIMPLE CALF STRAP 18-22 in.	-	1



9001414
 Calf Strap - Padded
 (Wheelchair Width: 15 to 17 in)



9001415
 Calf Strap - Padded
 (Wheelchair Width: 18 to 22 in)



MAKE SURE TO HAVE YOUR SERIAL NUMBER
 NEARBY WHEN ORDERING PARTS FOR YOUR
 MOTION COMPOSITES WHEELCHAIR

Footrests Catalogue
Bodypoint Aeromesh Calf Supports

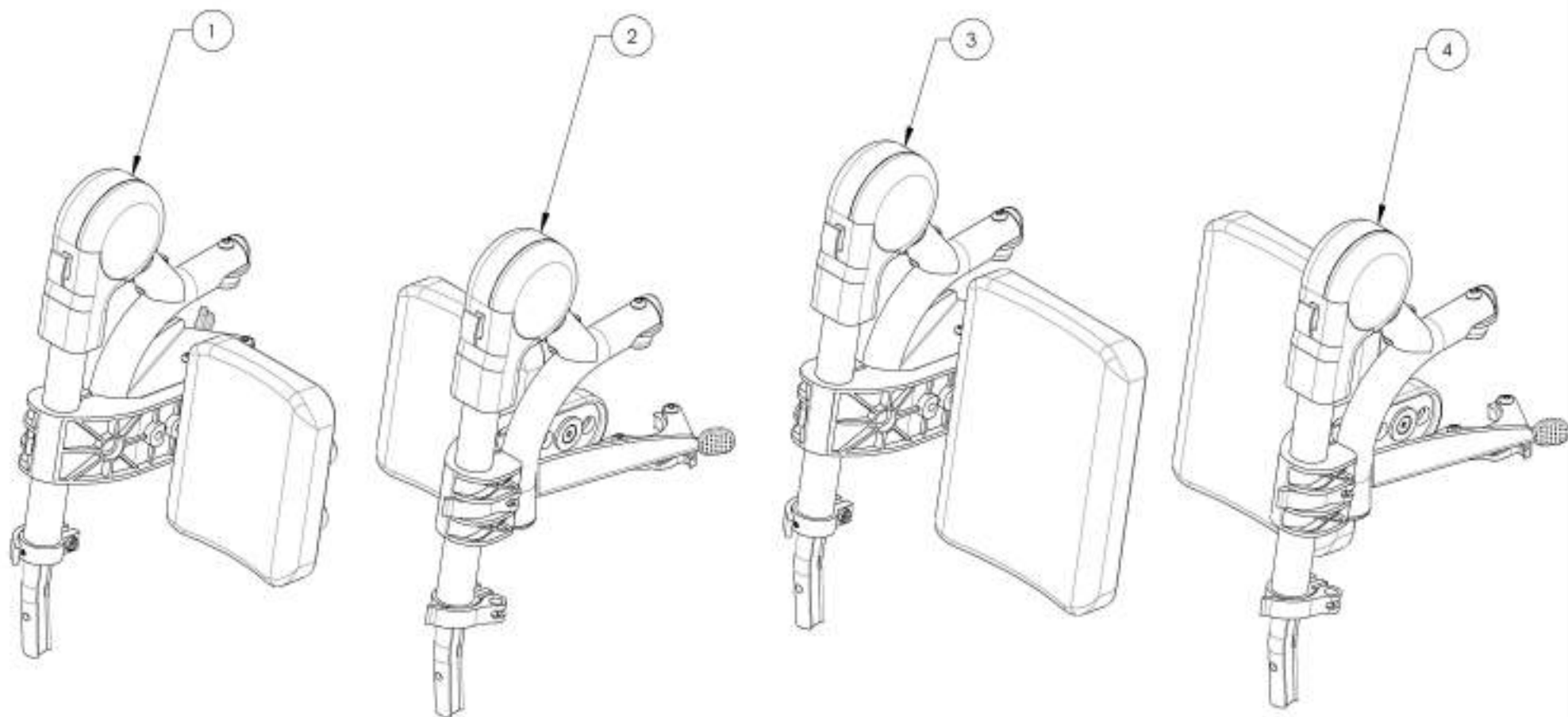
ITEM NO.	PARTNO	DESCRIPTION	QTY
1	9007795	Calf Strap - Bodypoint Aeromesh, Small (Width: 12 to 16 in) (30.4 to 40.6 cm)	1
2	9007796	Calf Strap - Bodypoint Aeromesh, Medium (Width: 17 to 20 in) (43.2 to 50.8 cm)	1
3	9007797	Calf Strap - Bodypoint Aeromesh, Large (Width: 21 to 24 in) (53.3 to 61 cm)	1
4	9007798	Calf Panel - Bodypoint Aeromesh, Small (Width: 12 to 16 in) (30.4 to 40.6 cm)	1
5	9007799	Calf Panel - Bodypoint Aeromesh, Medium (Width: 17 to 20 in) (43.2 to 50.8 cm)	1
6	9007800	Calf Panel - Bodypoint Aeromesh, Large (Width: 21 to 24 in) (53.3 to 61 cm)	1



MAKE SURE TO HAVE YOUR SERIAL NUMBER
 NEARBY WHEN ORDERING PARTS FOR YOUR
 MOTION COMPOSITES WHEELCHAIR

Footrests Catalogue
Elevating Legrests - Swing-Out

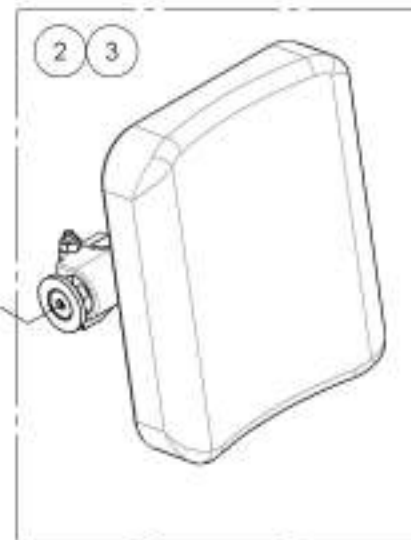
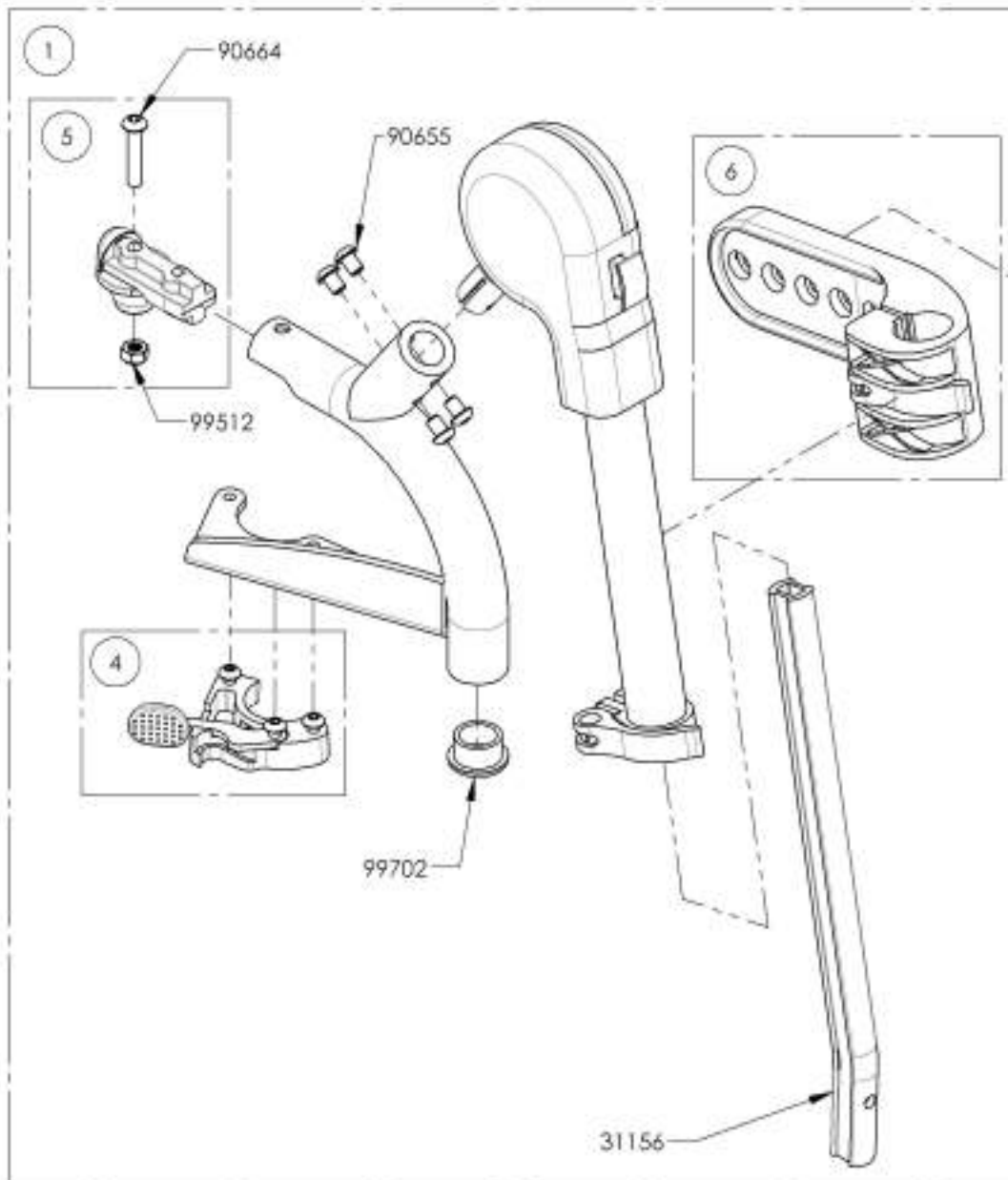
ITEM NO.	PARTNO	DESCRIPTION	QTY.
1	9001213	Beveling Legrest + Call Pad - Swing-Out, Right. (Wheelchair Width: 14 to 16 in)	1
2	9001215	Beveling Legrest + Call Pad - Swing-Out, Left. (Wheelchair Width: 14 to 16 in)	1
3	9001214	Beveling Legrest + Call Pad - Swing-Out, Right. (Wheelchair Width: 17 to 22 in)	1
4	9001216	Beveling Legrest + Call Pad - Swing-Out, Left. (Wheelchair Width: 17 to 22 in)	1



MAKE SURE TO HAVE YOUR SERIAL NUMBER
 NEARBY WHEN ORDERING PARTS FOR YOUR
 MOTION COMPOSITES WHEELCHAIR

9001213_9001214
Elevating Legrest + Calf Pad - Swing-Out, Right

ITEM NO.	PARTNO	DESCRIPTION	9001213 /QTY.	9001214 /QTY.	REPLACEMENT PARTS/QTY.
1	31583	C1-MOVE MBL ELEVATING LEGREST RIGHT	1	1	-
2	31140	14-16" RIGHT ELEVATING LEGREST CALF PAD	1	-	-
3	31142	17-22" RIGHT ELEVATING LEGREST CALF PAD	-	1	-
4	31520	C1 HANGER LATCH + TRIGGER RIGHT SPARE PARTS KIT	-	-	1
5	31551	V2 FOOTREST PIVOT - ASSEMBLY	-	-	1
6	31156	ELEVATING LEGREST CALF PAD SUPPORT	-	-	1



9001213
 Elevating Legrest + Calf Pad -
 Swing-Out, Right, (Wheelchair
 Width: 14 to 16 in)



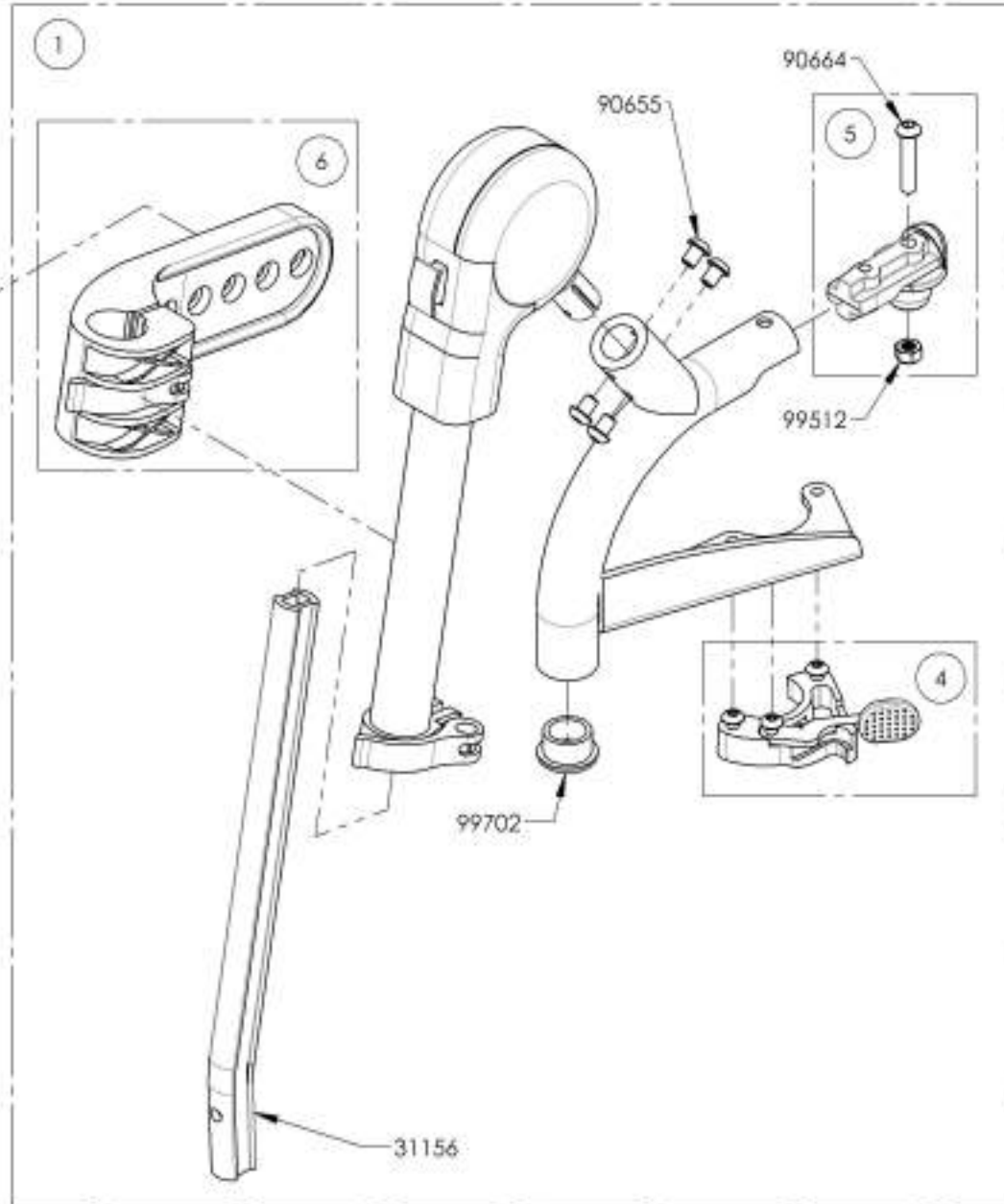
9001214
 Elevating Legrest + Calf Pad -
 Swing-Out, Right, (Wheelchair
 Width: 17 to 22 in)



MAKE SURE TO HAVE YOUR SERIAL NUMBER
 NEARBY WHEN ORDERING PARTS FOR YOUR
 MOTION COMPOSITES WHEELCHAIR

9001215_9001216
Elevating Legrest + Calf Pad - Swing-Out, Left

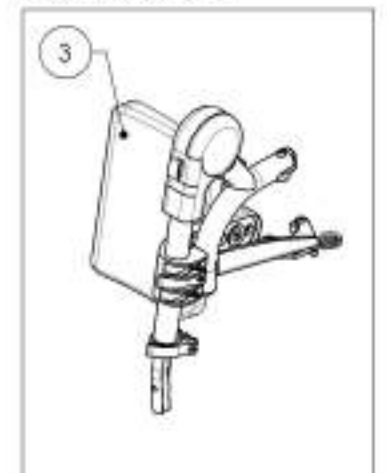
ITEM NO.	PARTNO	DESCRIPTION	9001215 /QTY.	9001216 /QTY.	REPLACEMENT PARTS/QTY.
1	31584	C1-MOVE MBL ELEVATING LEGREST LEFT	1	1	-
2	31141	14-16" LEFT ELEVATING LEGREST CALF PAD	1	-	-
3	31143	17-22" LEFT ELEVATING LEGREST CALF PAD	-	1	-
4	31519	C1 HANGER LATCH + TRIGGER LEFT SPARE PARTS KIT	-	-	1
5	31551	V2 FOOTREST PIVOT - ASSEMBLY	-	-	1
6	31158	ELEVATING LEGREST CALF PAD SUPPORT	-	-	1



9001215
 Elevating Legrest + Calf Pad -
 Swing-Out, Left, (Wheelchair
 Width: 14 to 16 in)



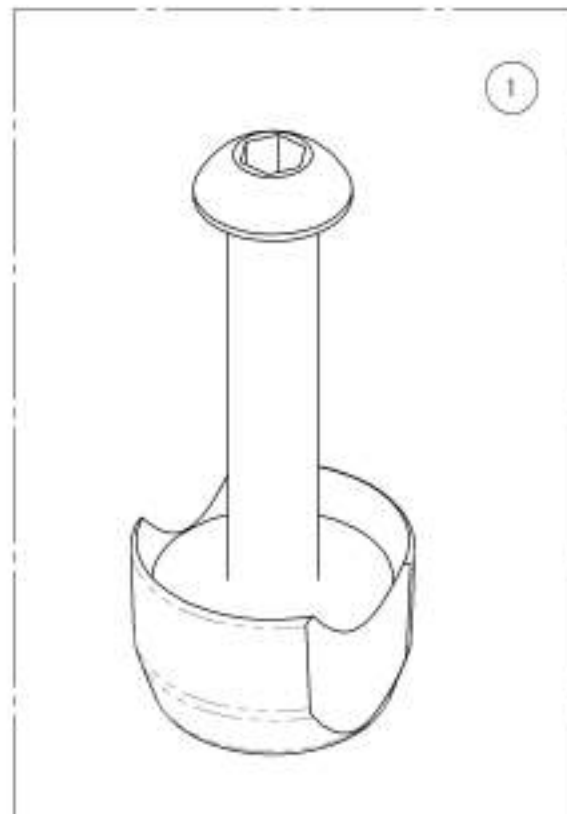
9001216
 Elevating Legrest + Calf Pad -
 Swing-Out, Left, (Wheelchair
 Width: 17 to 22 in)



MAKE SURE TO HAVE YOUR SERIAL NUMBER
 NEARBY WHEN ORDERING PARTS FOR YOUR
 MOTION COMPOSITES WHEELCHAIR

Footrests Catalogue
Pivot Extension Kit

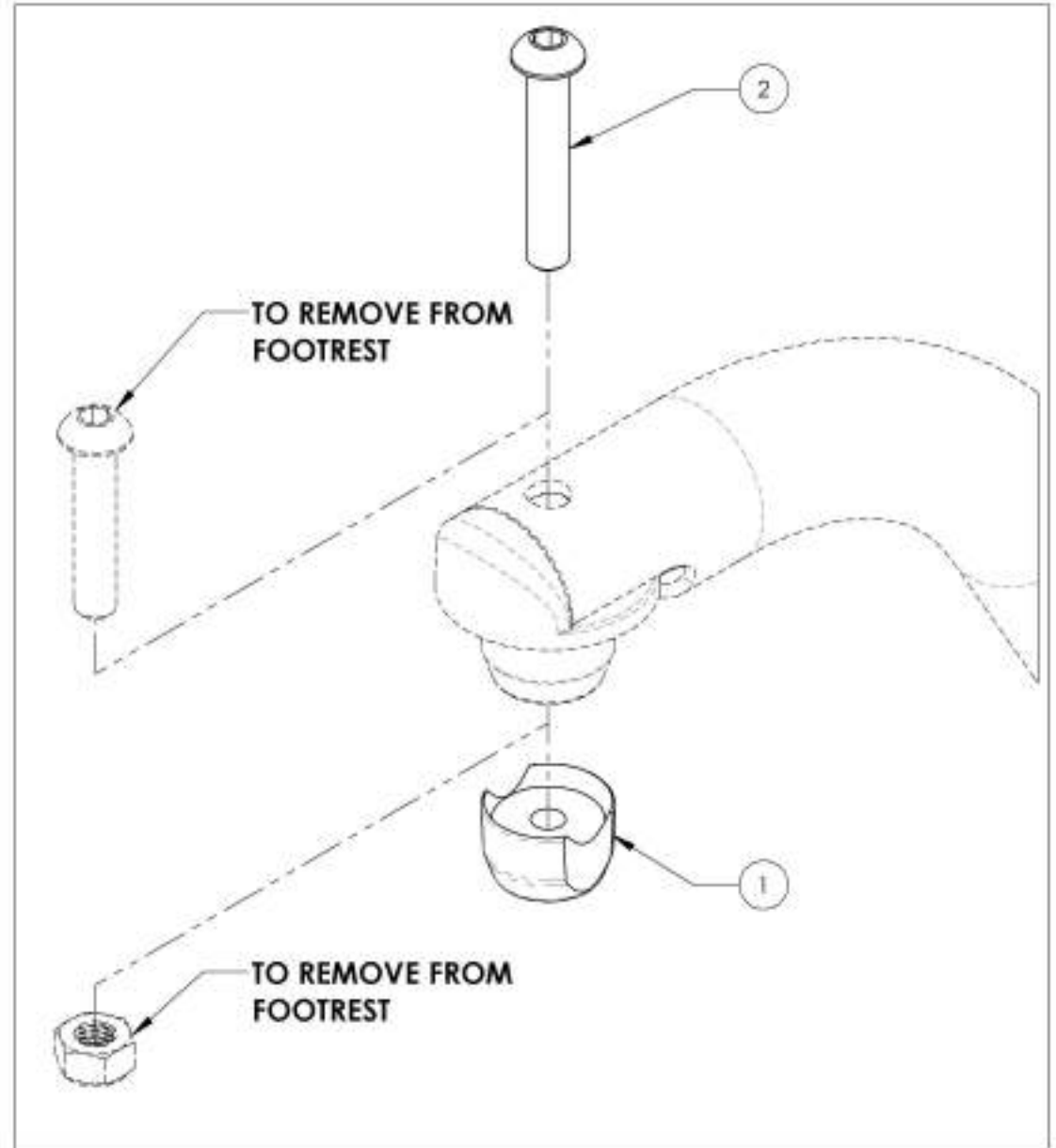
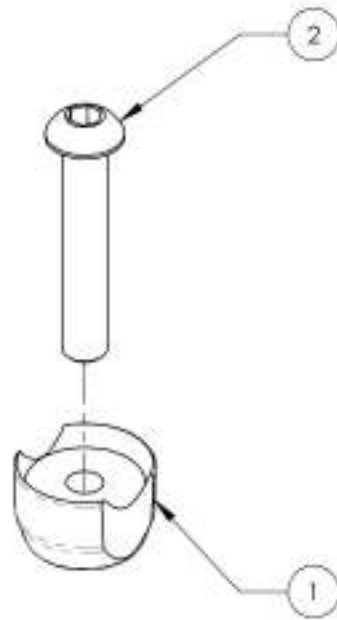
ITEM NO.	PARTNO	DESCRIPTION	QTY
1	9003079	Footrest - Pivot Extension Kit	1



MAKE SURE TO HAVE YOUR SERIAL NUMBER
NEARBY WHEN ORDERING PARTS FOR YOUR
MOTION COMPOSITES WHEELCHAIR

9003079
Footrest - Pivot Extension Kit

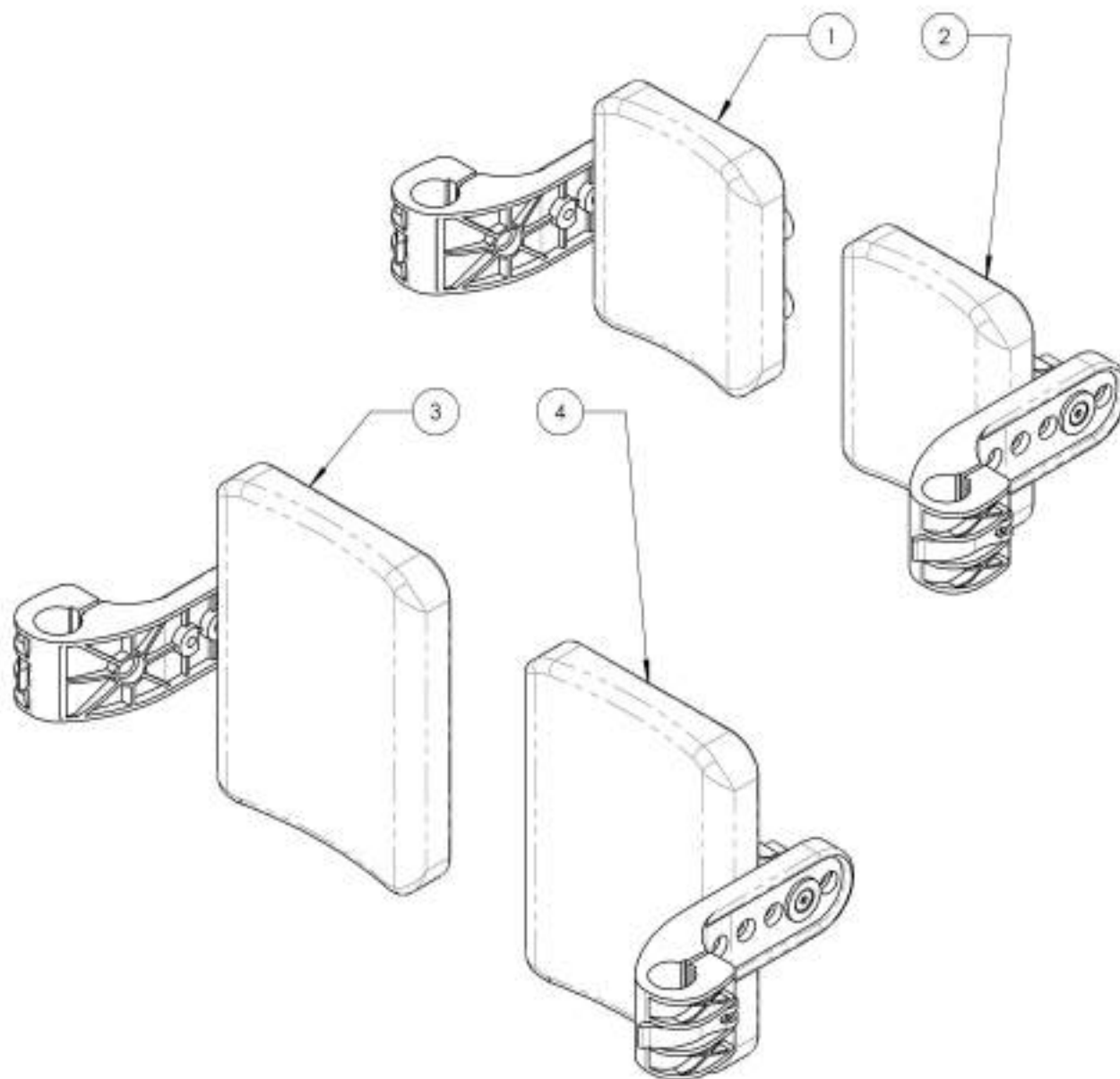
ITEM NO.	PARTNO	DESCRIPTION	9003079 /QTY.
1	31247	V2 FOOTREST PIVOT EXTENSION	1
2	90665	BUTTON HEAD CAP SCREW M6X1 X 35mm LONG, 28mm THREADED + BLUE THREADLOCKER - BLACK ZINC	1



MAKE SURE TO HAVE YOUR SERIAL NUMBER NEARBY WHEN ORDERING PARTS FOR YOUR MOTION COMPOSITES WHEELCHAIR

Footrests Catalogue
Calf Pad - Complete Assembly

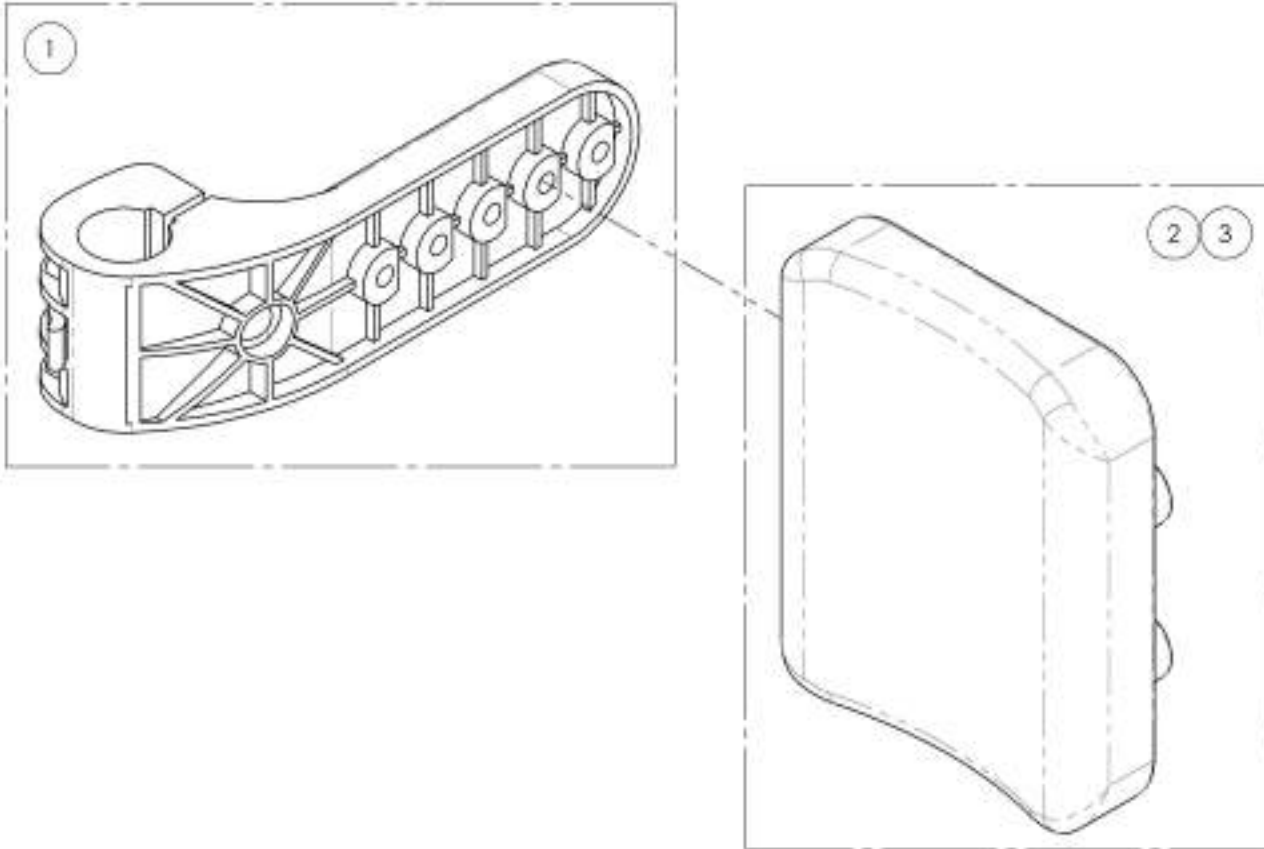
ITEM NO.	PARTNO	DESCRIPTION	QTY
1	9001109	Calf Pad - Complete Assembly, Right (Wheelchair Width: 14 to 16 in)	1
2	9001111	Calf Pad - Complete Assembly, Left (Wheelchair Width: 14 to 16 in)	1
3	9001110	Calf Pad - Complete Assembly, Right (Wheelchair Width: 17 to 22 in)	1
4	9001112	Calf Pad - Complete Assembly, Left (Wheelchair Width: 17 to 22 in)	1



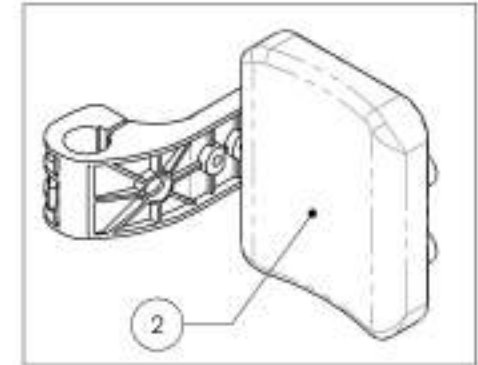
MAKE SURE TO HAVE YOUR SERIAL NUMBER NEARBY WHEN ORDERING PARTS FOR YOUR MOTION COMPOSITES WHEELCHAIR

9001109_9001110
Calf Pad - Complete Assembly, Right

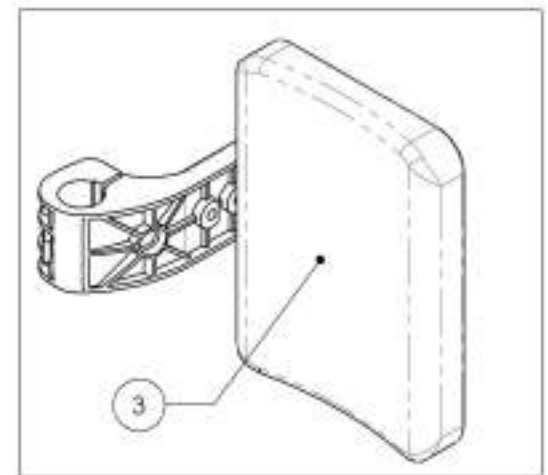
ITEM NO.	PARTNO	DESCRIPTION	9001109 /QTY.	9001110 /QTY.
1	31158	ELEVATING LEGREST CALF PAD SUPPORT	1	1
2	31140	14-16" RIGHT ELEVATING LEGREST CALF PAD	1	-
3	31142	17-22" RIGHT ELEVATING LEGREST CALF PAD	-	1



9001109
 Calf Pad - Complete Assembly, Right
 (Wheelchair Width: 14 to 16 in)



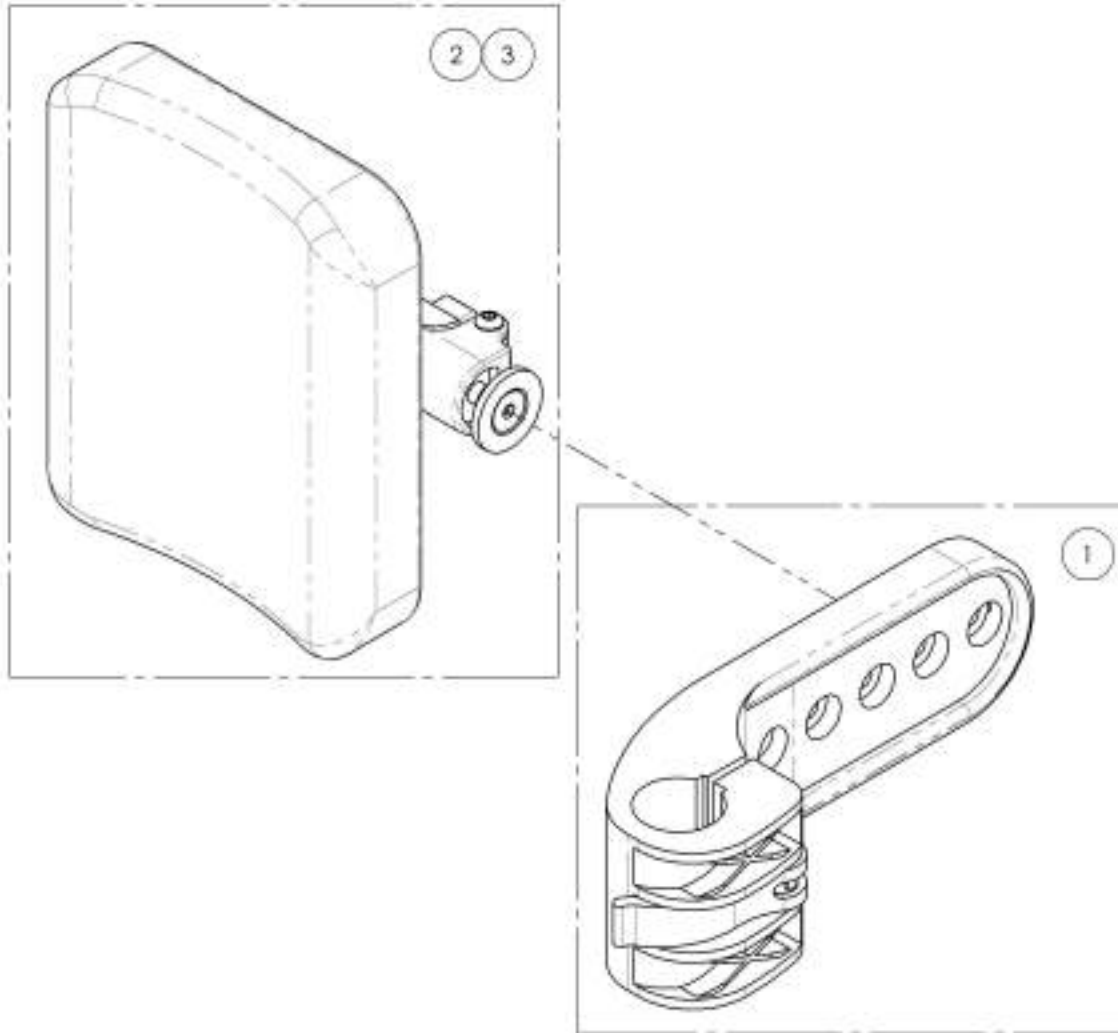
9001110
 Calf Pad - Complete Assembly, Right
 (Wheelchair Width: 17 to 22 in)



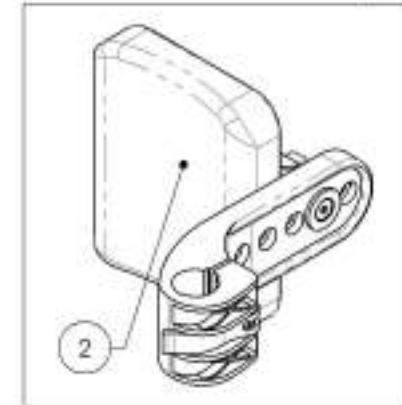
MAKE SURE TO HAVE YOUR SERIAL NUMBER
 NEARBY WHEN ORDERING PARTS FOR YOUR
 MOTION COMPOSITES WHEELCHAIR

9001111_9001112
Calf Pad - Complete Assembly, Left

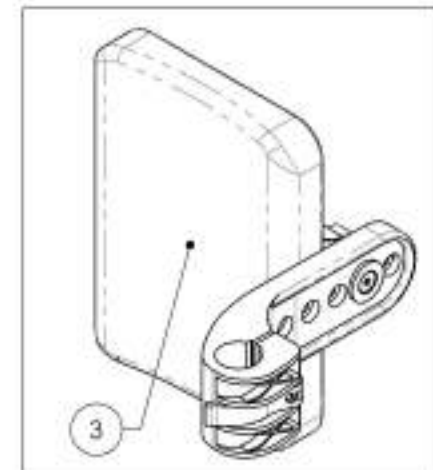
ITEM NO.	PARTNO	DESCRIPTION	9001111 /QTY.	9001112 /QTY.
1	31138	ELEVATING LEGREST CALF PAD SUPPORT	1	1
2	31141	14-16" LEFT ELEVATING LEGREST CALF PAD	1	-
3	31143	17-22" LEFT ELEVATING LEGREST CALF PAD	-	1



9001111
 Calf Pad - Complete Assembly, Left
 (Wheelchair Width: 14 to 16 in)



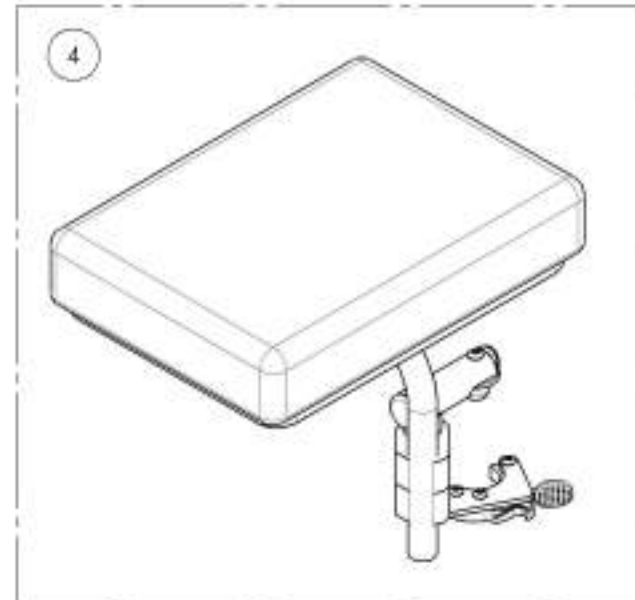
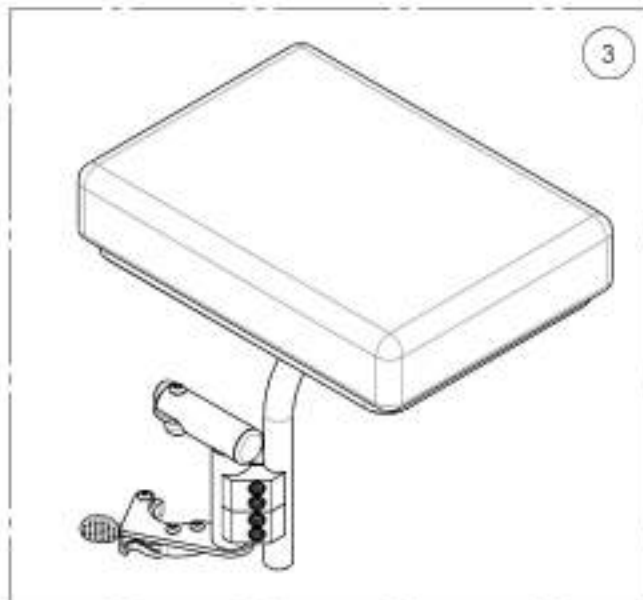
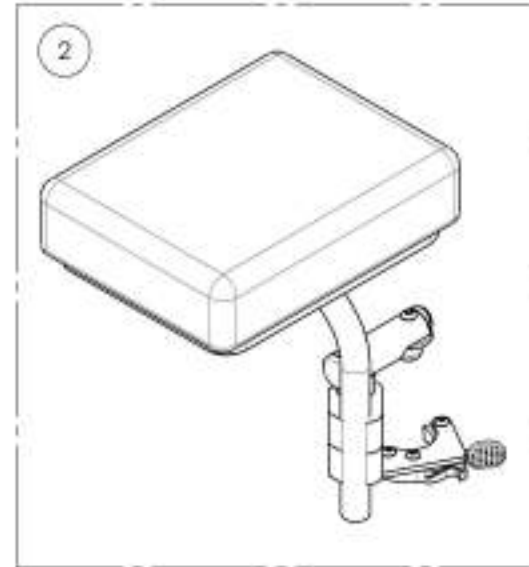
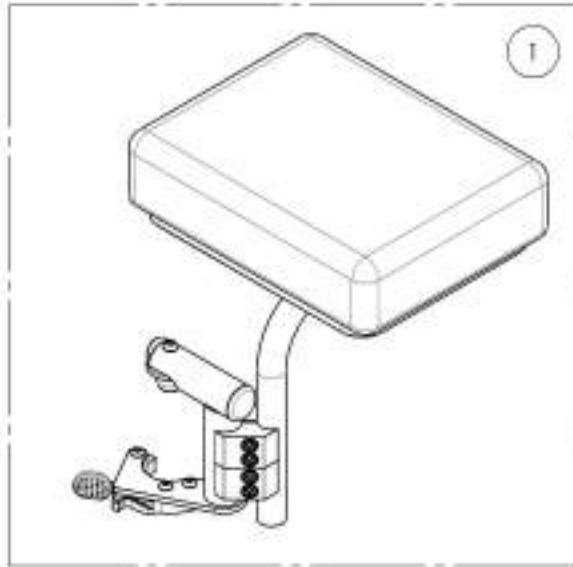
9001112
 Calf Pad - Complete Assembly, Left
 (Wheelchair Width: 17 to 22 in)



MAKE SURE TO HAVE YOUR SERIAL NUMBER
 NEARBY WHEN ORDERING PARTS FOR YOUR
 MOTION COMPOSITES WHEELCHAIR

Footrests Catalogue
Stump Supports - Swing-Out

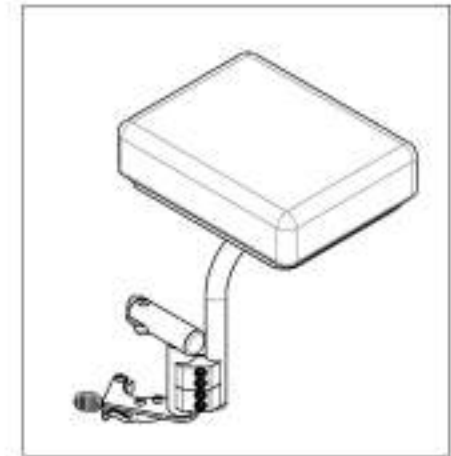
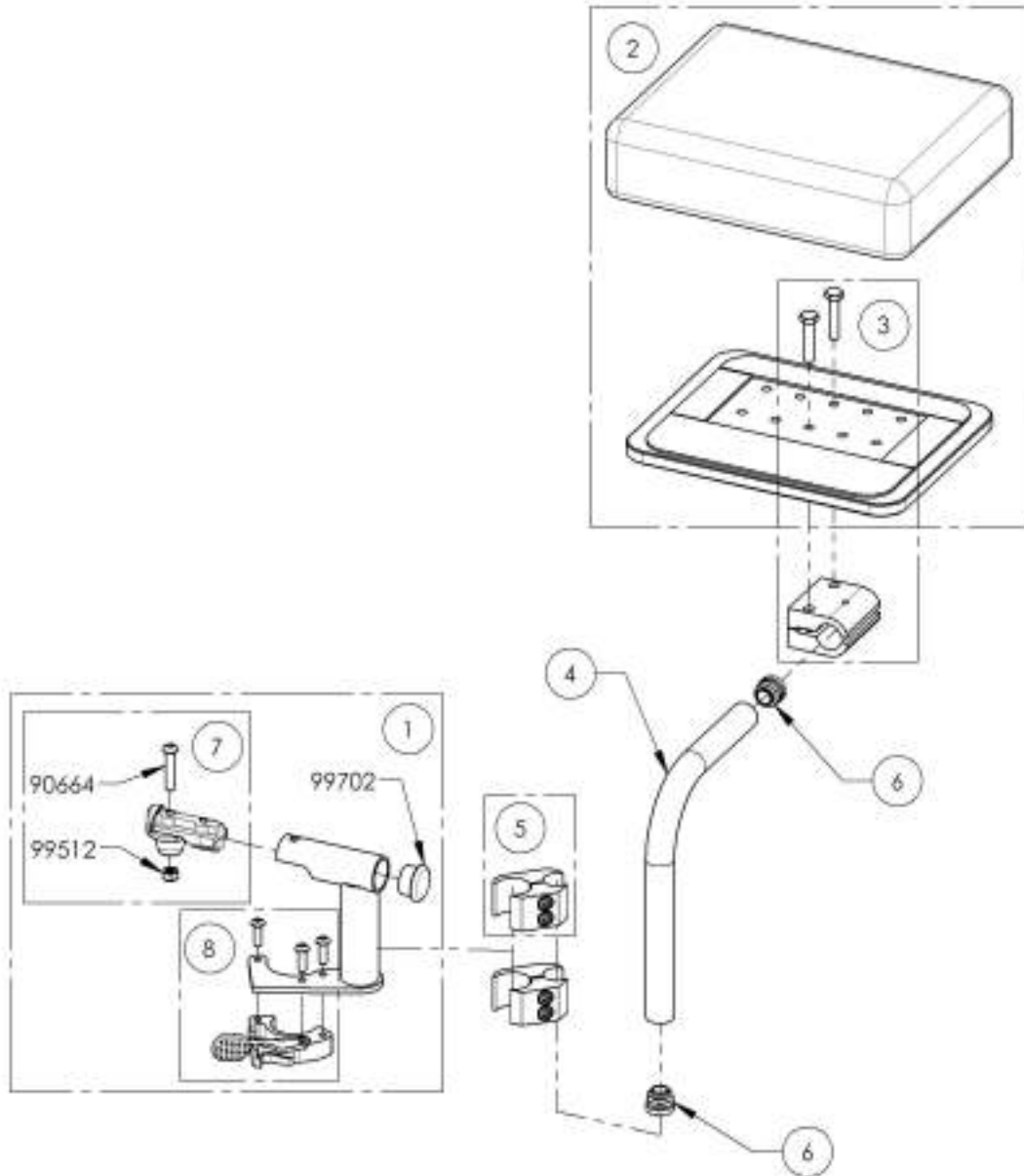
ITEM NO.	PARTNO	DESCRIPTION	QTY.
1	9002144	Stump Support - Swing-Out, Right, 7 x 9 in	1
2	9002145	Stump Support - Swing-Out, Left, 7 x 9 in	1
3	9001287	Stump Support - Swing-Out, Right, 8 x 11 in	1
4	9001288	Stump Support - Swing-Out, Left, 8 x 11 in	1



MAKE SURE TO HAVE YOUR SERIAL NUMBER
 NEARBY WHEN ORDERING PARTS FOR YOUR
 MOTION COMPOSITES WHEELCHAIR

9002144
Residual Limb Support - Swing-Out, Right, 7 x 9 in

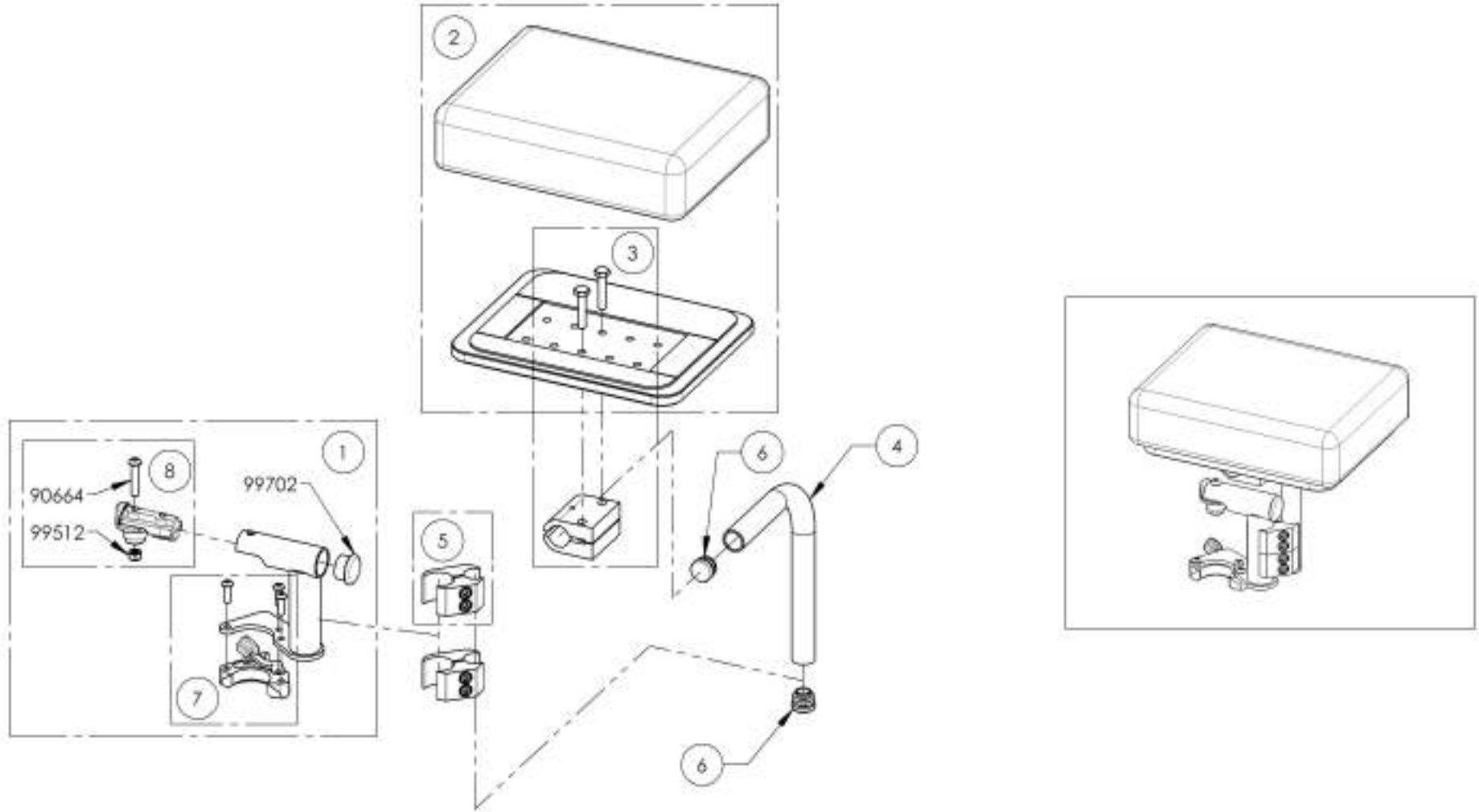
ITEM NO.	PARTNO	DESCRIPTION	9002144 /QTY.	REPLACEMENT PARTS/QTY.
1	31613	V1 UNIVERSAL LEGREST HANGER RIGHT - ASSEMBLY	1	-
2	31296	RESIDUAL LIMB SUPPORT PAD & BASE PLATE 7 x 9in - ASSY	1	-
3	31323	RESIDUAL LIMB SUPPORT STRUCTURE CLAMP	1	-
4	31322	RESIDUAL LIMB SUPPORT STRUCTURE TUBE	1	-
5	41703	0.75-1 in CLAMP - ASSY	2	-
6	99701	CAP 0.75 in	2	-
7	31551	V2 FOOTREST PIVOT - ASSEMBLY	-	1
8	31520	C1 HANGER LATCH + TRIGGER RIGHT SPARE PARTS KIT	-	1



MAKE SURE TO HAVE YOUR SERIAL NUMBER
 NEARBY WHEN ORDERING PARTS FOR YOUR
 MOTION COMPOSITES WHEELCHAIR

9002145
Residual Limb Support - Swing-Out, Left, 7 x 9 in

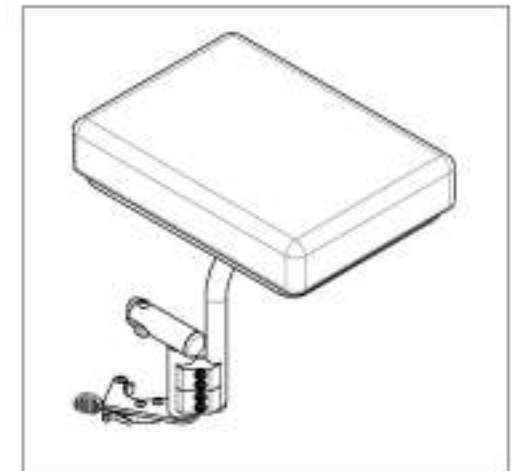
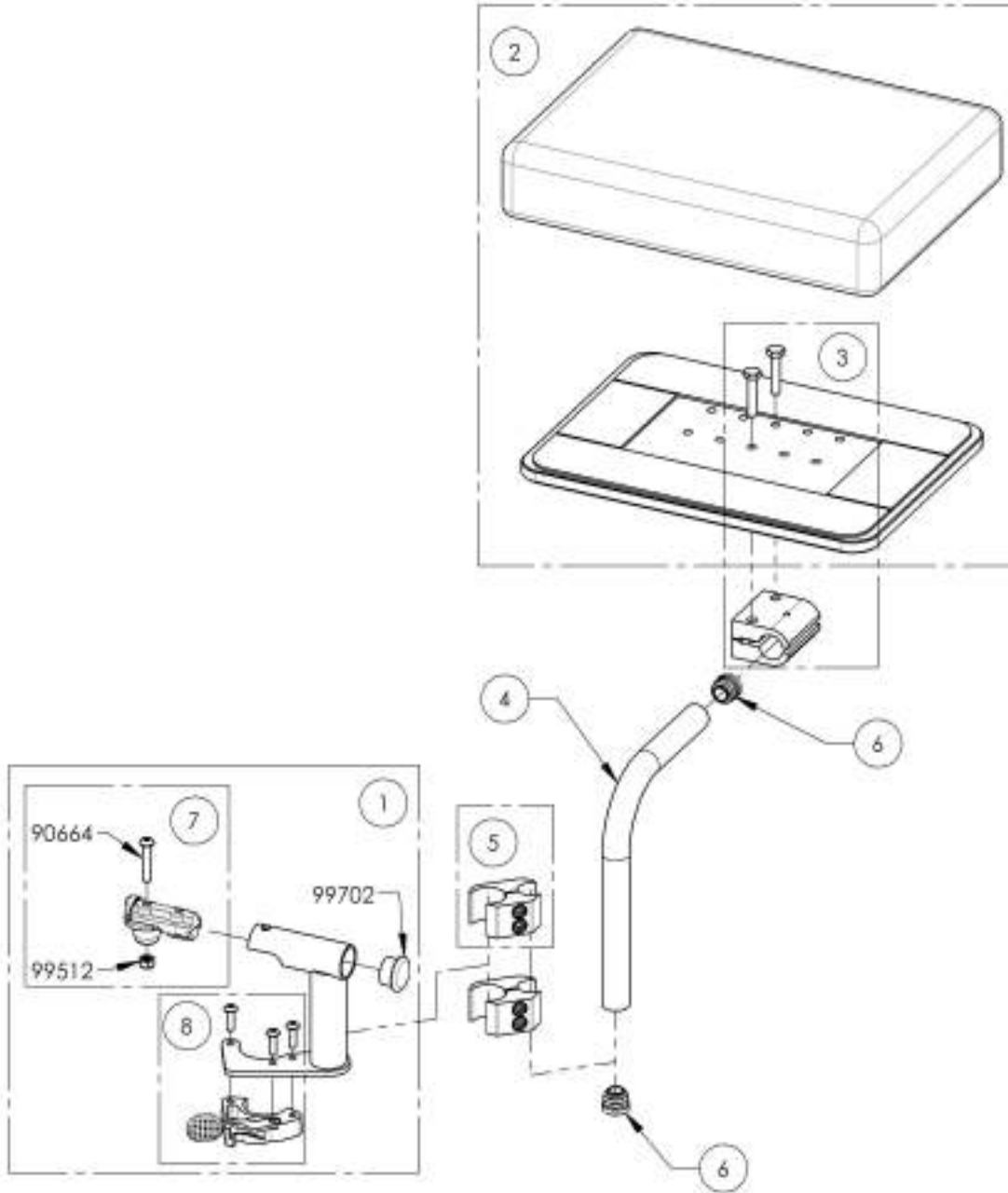
ITEM NO.	PARTNO	DESCRIPTION	9002145 /QTY.	REPLACEMENT PARTS/QTY.
1	31614	V1 UNIVERSAL LEGREST HANGER LEFT - ASSEMBLY	1	-
2	31296	RESIDUAL LIMB SUPPORT PAD & BASE PLATE 7 x 9in - ASSY	1	-
3	31323	RESIDUAL LIMB SUPPORT STRUCTURE CLAMP	1	-
4	31322	RESIDUAL LIMB SUPPORT STRUCTURE TUBE	1	-
5	41703	0.75-1 in CLAMP - ASSY	2	-
6	99701	CAP 0.75 in	2	-
7	31551	V2 FOOTREST PIVOT - ASSEMBLY	-	1
8	31519	C1 HANGER LATCH + TRIGGER LEFT SPARE PARTS KIT	-	1



MAKE SURE TO HAVE YOUR SERIAL NUMBER
 NEARBY WHEN ORDERING PARTS FOR YOUR
 MOTION COMPOSITES WHEELCHAIR

9001287
Residual Limb Support - Swing-Out, Right, 8 x 11 in

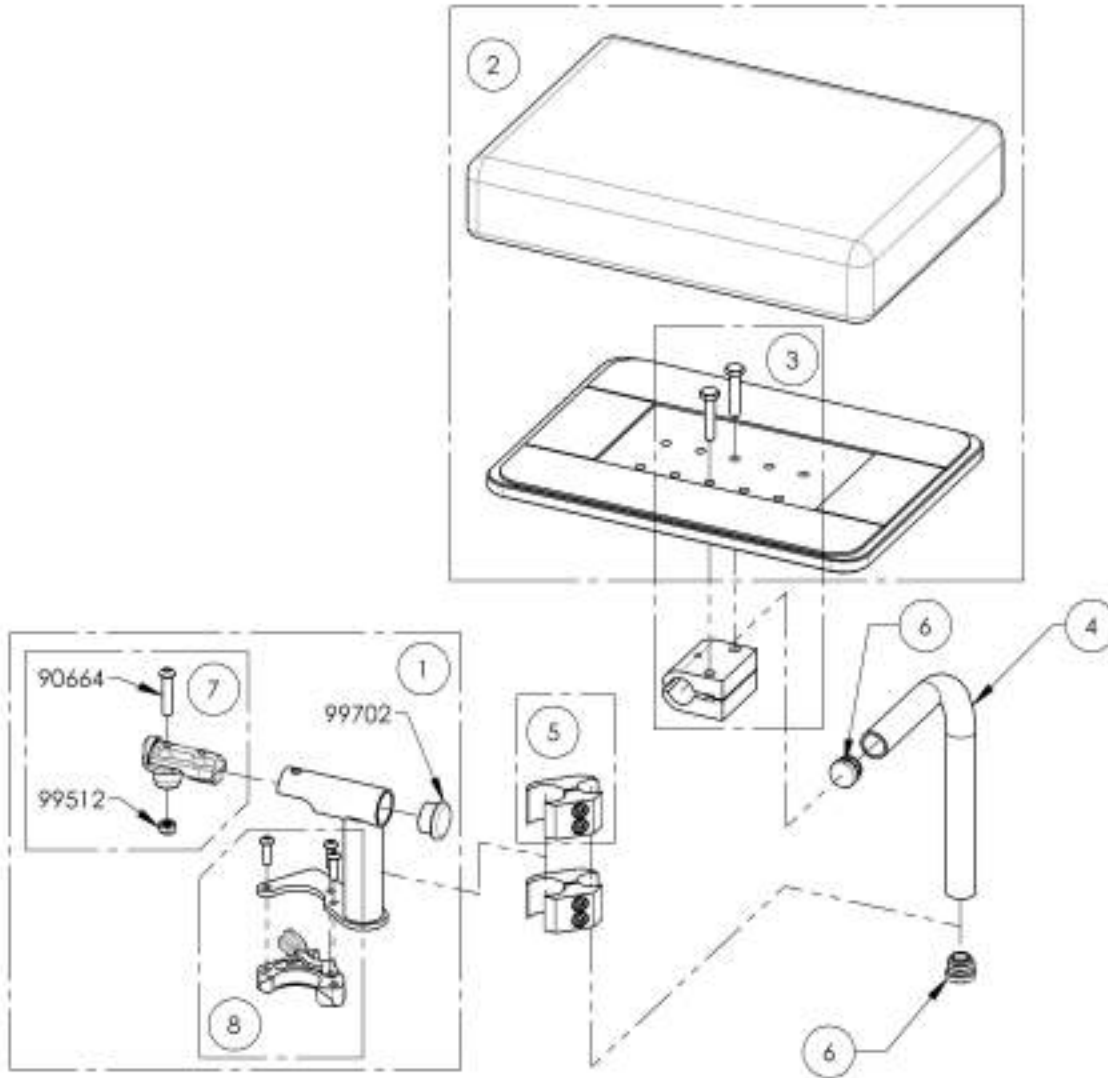
ITEM NO.	PARTNO	DESCRIPTION	9001287 /QTY.	REPLACEMENT PARTS/QTY.
1	31613	V1 UNIVERSAL LEGREST HANGER RIGHT - ASSEMBLY	1	-
2	31153	RESIDUAL LIMB SUPPORT PAD & BASE PLATE 8 x 11in - ASSY	1	-
3	31323	RESIDUAL LIMB SUPPORT STRUCTURE CLAMP	1	-
4	31322	RESIDUAL LIMB SUPPORT STRUCTURE TUBE	1	-
5	41703	0.75-1 in CLAMP - ASSY	2	-
6	99701	CAP 0.75 in	2	-
7	31551	V2 FOOTREST PIVOT - ASSEMBLY	-	1
8	31520	C1 HANGER LATCH + TRIGGER RIGHT SPARE PARTS KIT	-	1



MAKE SURE TO HAVE YOUR SERIAL NUMBER
 NEARBY WHEN ORDERING PARTS FOR YOUR
 MOTION COMPOSITES WHEELCHAIR

9001288
Residual Limb Support - Swing-Out, Left, 8 x 11 in

ITEM NO.	PARTNO	DESCRIPTION	9001288 /QTY.	REPLACEMENT PARTS/QTY.
1	31614	V1 UNIVERSAL LEGREST HANGER LEFT - ASSEMBLY	1	-
2	31153	RESIDUAL LIMB SUPPORT PAD & BASE PLATE 8x11in - ASSY	1	-
3	31323	RESIDUAL LIMB SUPPORT STRUCTURE CLAMP	1	-
4	31322	RESIDUAL LIMB SUPPORT STRUCTURE TUBE	1	-
5	41703	0.75-in CLAMP - ASSY	2	-
6	99701	CAP 0.75 in	2	-
7	31551	V2 FOOTREST PIVOT - ASSEMBLY	-	1
8	31519	C1 HANGER LATCH + TRIGGER LEFT SPARE PARTS KIT	-	1

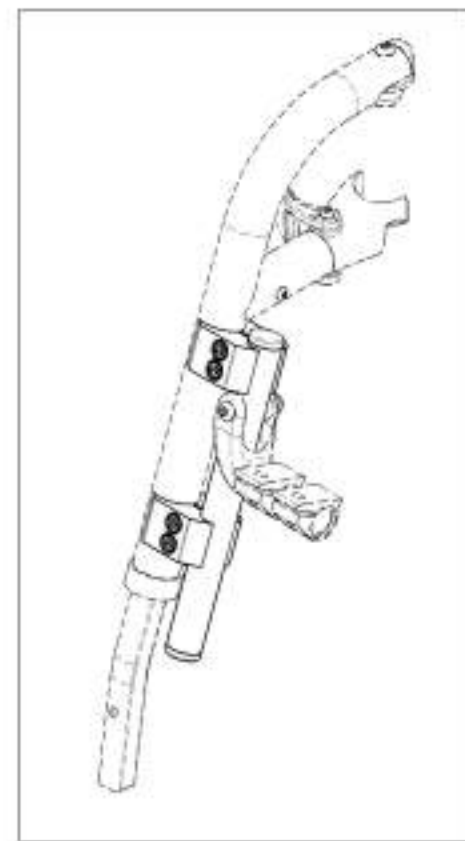
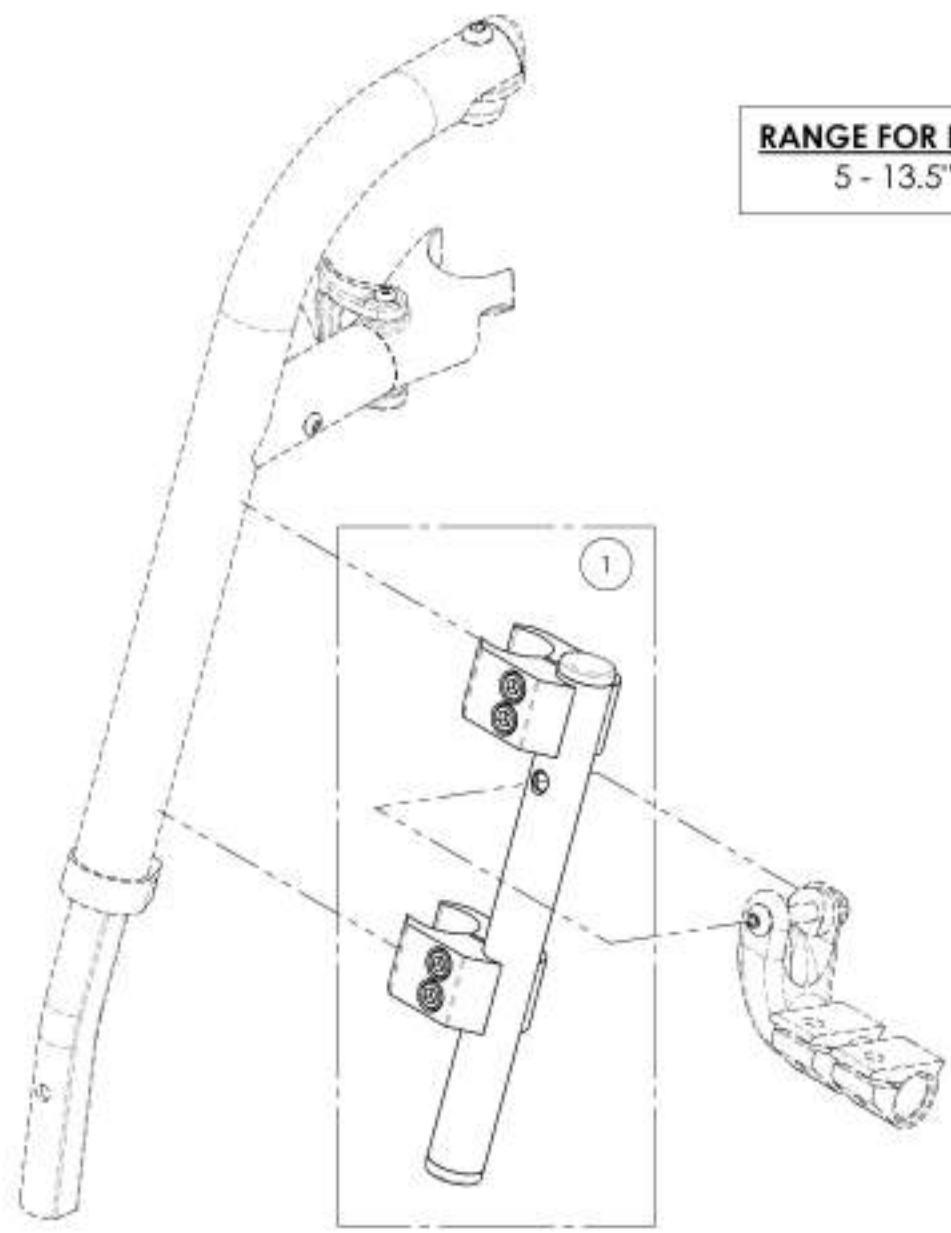


MAKE SURE TO HAVE YOUR SERIAL NUMBER
 NEARBY WHEN ORDERING PARTS FOR YOUR
 MOTION COMPOSITES WHEELCHAIR

Footrests Catalogue
High Mount Extension With Clamps

ITEM NO.	PARTNO	DESCRIPTION	QTY.
1	9001318	Footrest - High Mount, Extension with Clamps	1

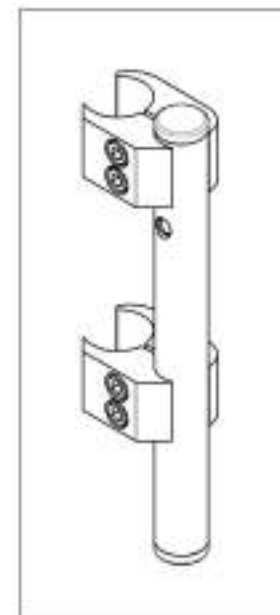
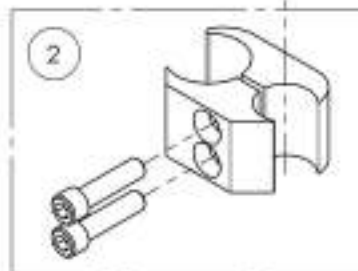
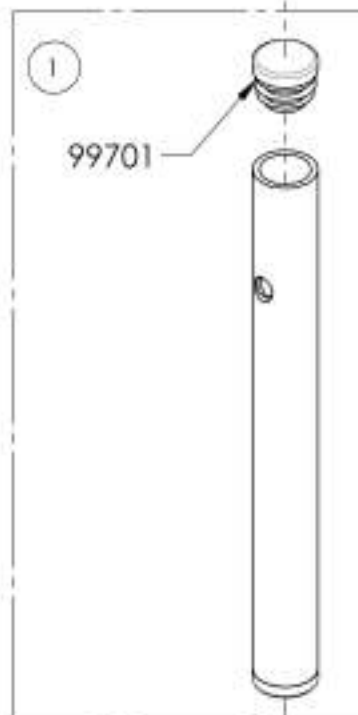
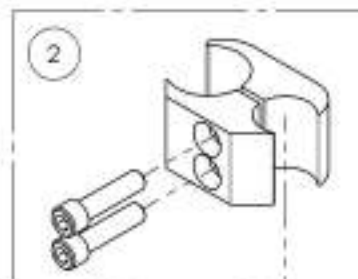
RANGE FOR HIGH MOUNT
5 - 13.5" (127 - 343mm)



MAKE SURE TO HAVE YOUR SERIAL NUMBER
NEARBY WHEN ORDERING PARTS FOR YOUR
MOTION COMPOSITES WHEELCHAIR

9001318
Footrest - High Mount, Extension with Clamps

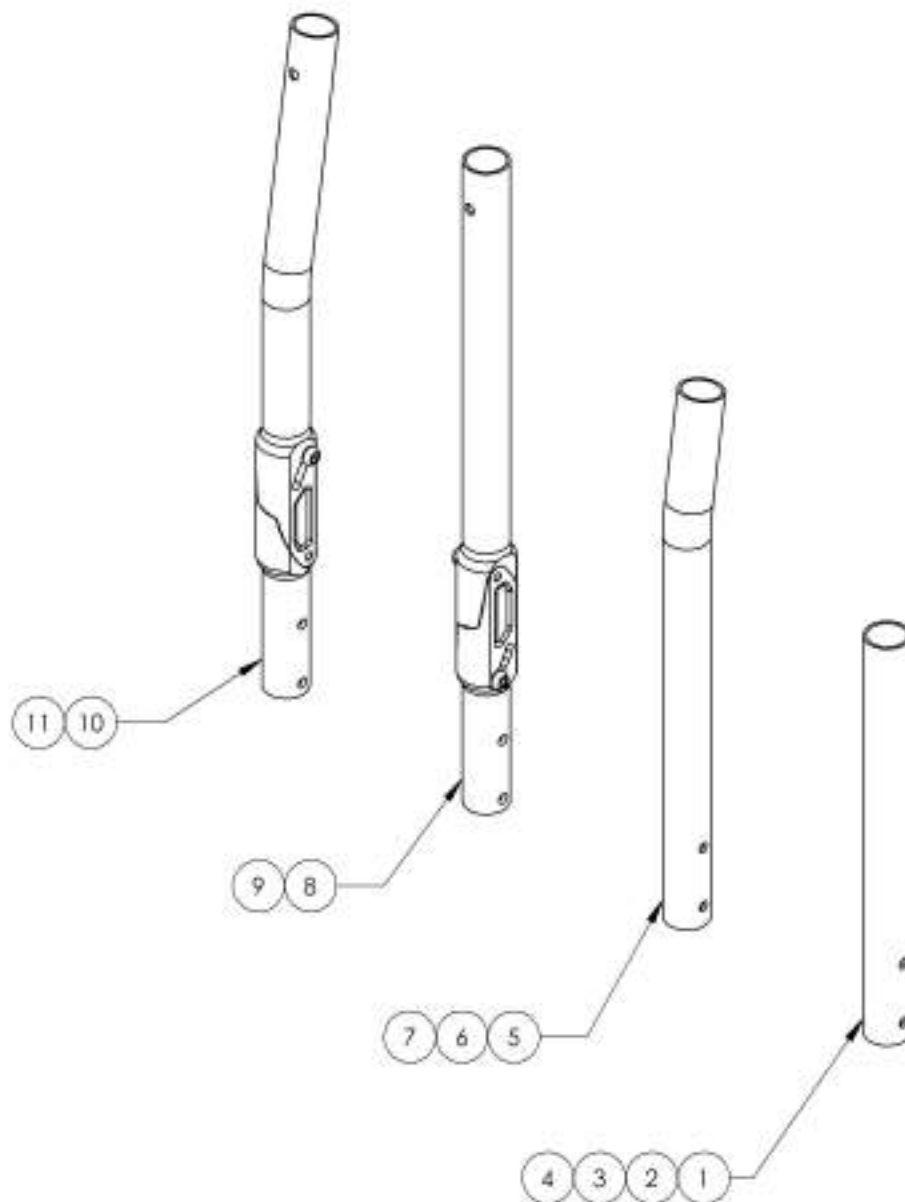
ITEM NO.	PARTNO	DESCRIPTION	QTY.
1	31638	HIGH MOUNT STRAIGHT EXTENSION - ASSY	1
2	41703	1/2" CLAMP - ASSEMBLY	2



MAKE SURE TO HAVE YOUR SERIAL NUMBER
NEARBY WHEN ORDERING PARTS FOR YOUR
MOTION COMPOSITES WHEELCHAIR

**Backrests Catalogue
Aluminum Back Canes**

ITEM NO.	PART NO	DESCRIPTION	QTY.
1	9001264	Back Cane - Aluminum, Straight, 9-12 in	1
2	9001265	Back Cane - Aluminum, Straight, 12-15 in	1
3	9001266	Back Cane - Aluminum, Straight, 15-18 in	1
4	9001267	Back Cane - Aluminum, Straight, 18-21 in	1
5	9001268	Back Cane - Aluminum, 8° bend, 13 1/2-15 in	1
6	9001269	Back Cane - Aluminum, 8° bend, 15-18 in	1
7	9001270	Back Cane - Aluminum, 8° bend, 18-21 in	1
8	9001271	Back Cane - Aluminum, Angle Adjustable, Straight, 15-18 in	1
9	9001272	Back Cane - Aluminum, Angle Adjustable, Straight, 18-21 in	1
10	9001273	Back Cane - Aluminum, Angle Adjustable, 8° bend, 13-18 in	1
11	9001274	Back Cane - Aluminum, Angle Adjustable, 8° bend, 18-21 in	1

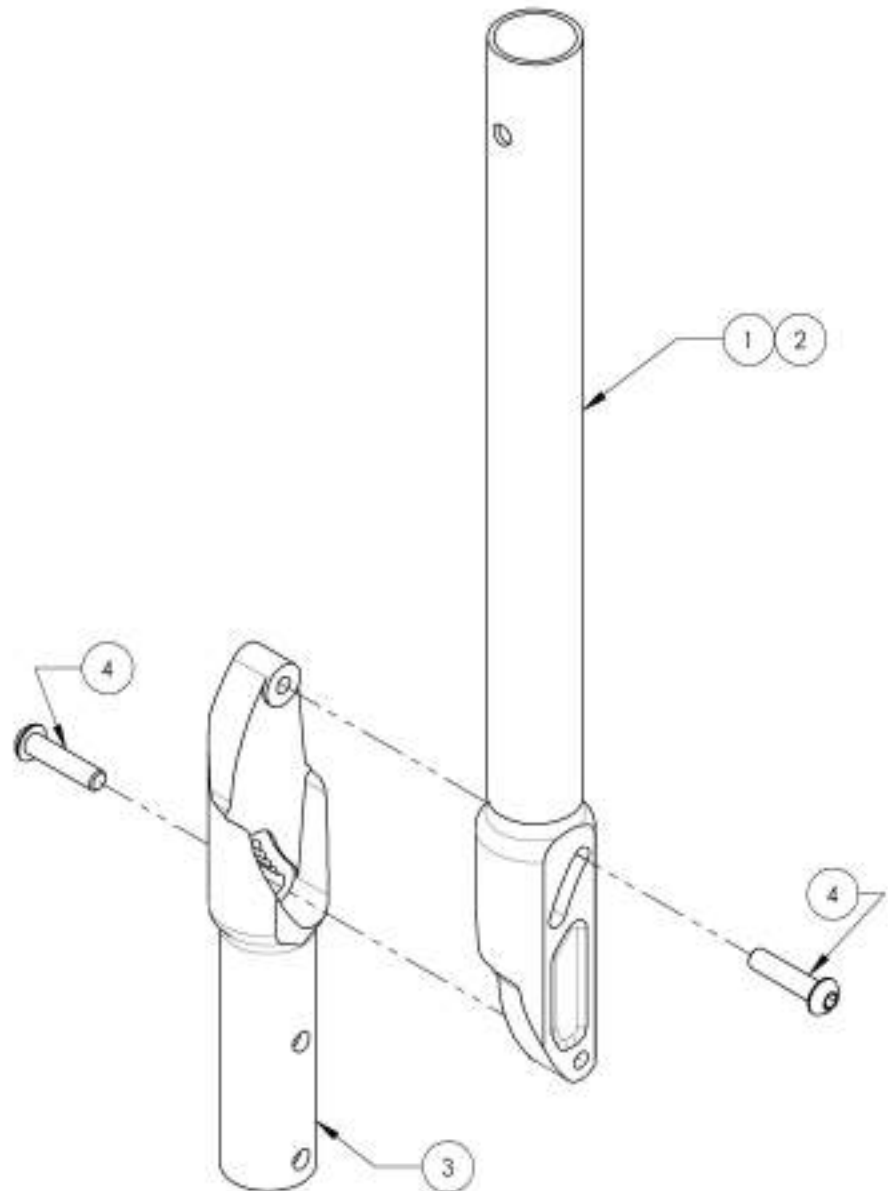


MAKE SURE TO HAVE YOUR SERIAL NUMBER
NEARBY WHEN ORDERING PARTS FOR YOUR
MOTION COMPOSITES WHEELCHAIR

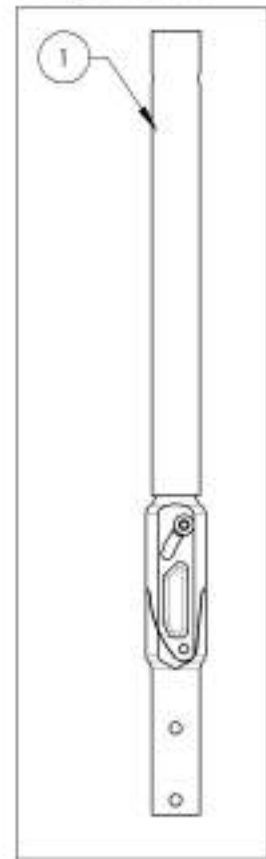
9001271_9001272

Back Cane - Aluminum, Angle adjustable, Straight

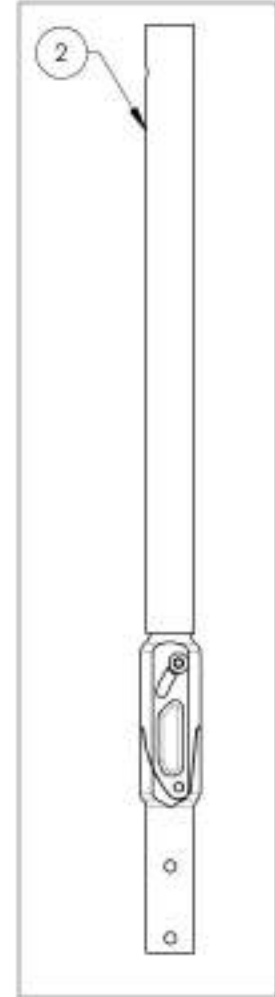
ITEM NO.	PART NO.	DESCRIPTION	9001271 /QTY.	9001272 /QTY.
1	32518	ALUMINUM ADJUSTABLE ANGLE BACK 15"-18" (M)	1	-
2	32519	ALUMINUM ADJUSTABLE ANGLE BACK 18"-21" (M)	-	1
3	32037	LOWER ADJUSTABLE BACKREST (M)	1	1
4	90663	BUTTON HEAD CAP SCREW M6X1 X 25mm LONG, FULLY THREADED	2	2



9001271
Back Cane - Aluminum,
Angle Adjustable,
Straight, 15-18 in



9001272
Back Cane - Aluminum,
Angle Adjustable,
Straight, 18-21 in

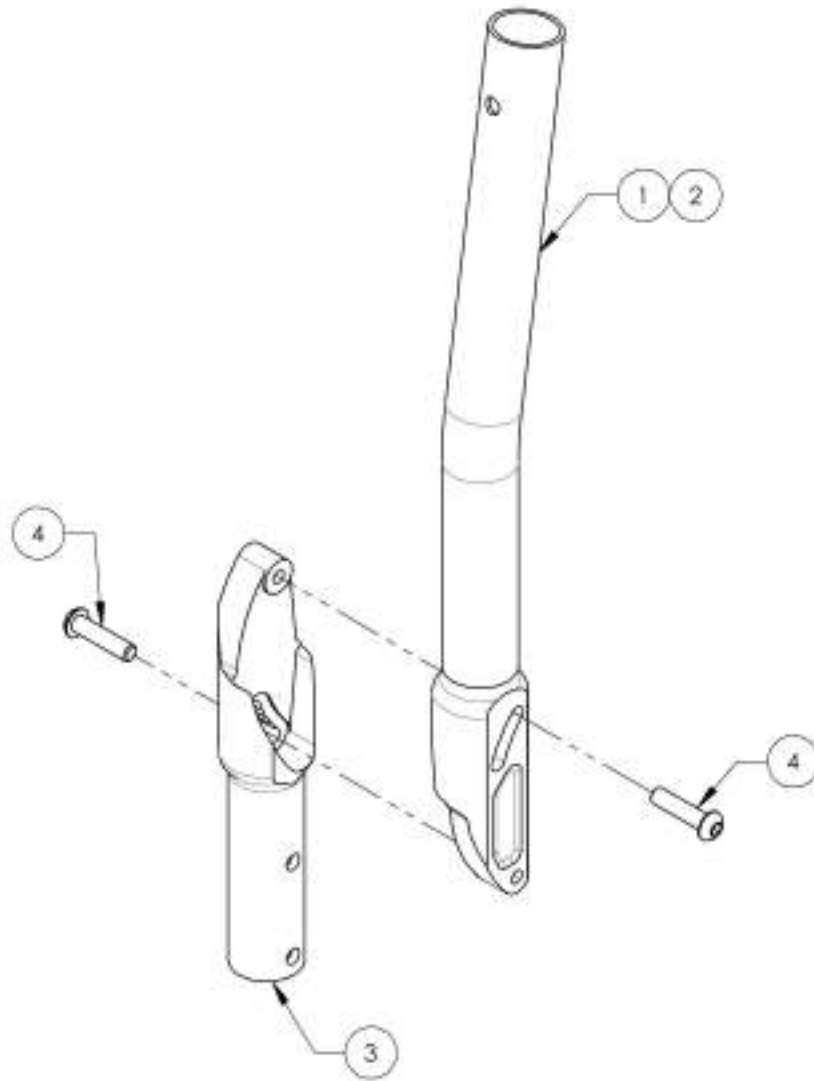


MAKE SURE TO HAVE YOUR SERIAL NUMBER NEARBY WHEN ORDERING PARTS FOR YOUR MOTION COMPOSITES WHEELCHAIR

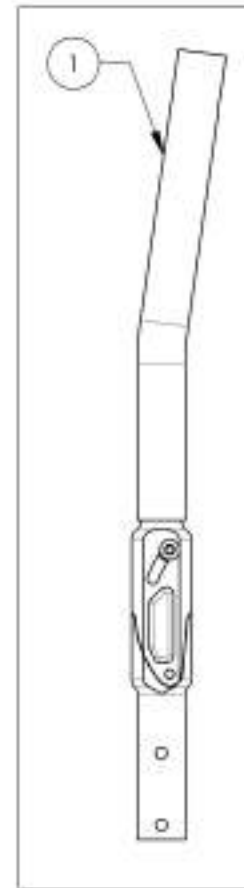
9001273_9001274

Back Cane - Aluminum, Angle adjustable, 8° bend

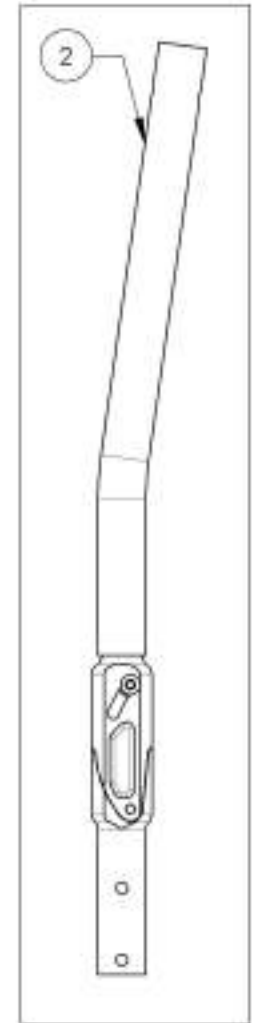
ITEM NO.	PARTNO	DESCRIPTION	9001273 /QTY.	9001274 /QTY.
1	32528	ALUMINUM ADJUSTABLE ANGLE 8° BEND BACK CANE 15"-18" (M)	1	-
2	32529	ALUMINUM ADJUSTABLE ANGLE 8° BEND BACK CANE 18"-21" (M)	-	1
3	32037	LOWER ADJUSTABLE BACKREST (M)	1	1
4	90663	BUTTON HEAD CAP SCREW M6X1 X 25mm LONG, FULLY THREADED	2	2



9001273
Back Cane - Aluminum,
Angle Adjustable, 8° bend,
15-18 in.



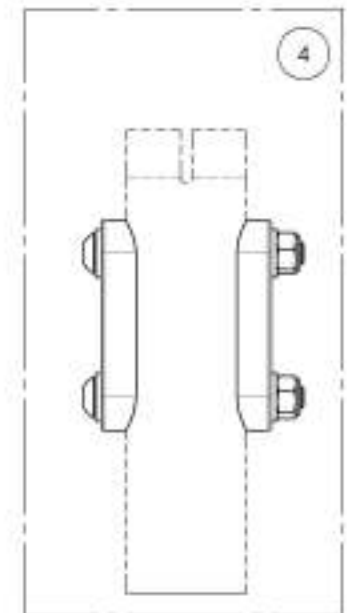
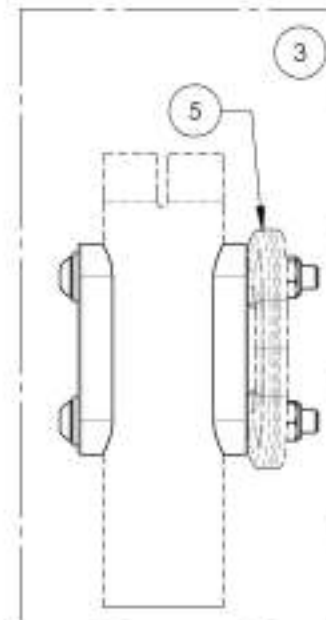
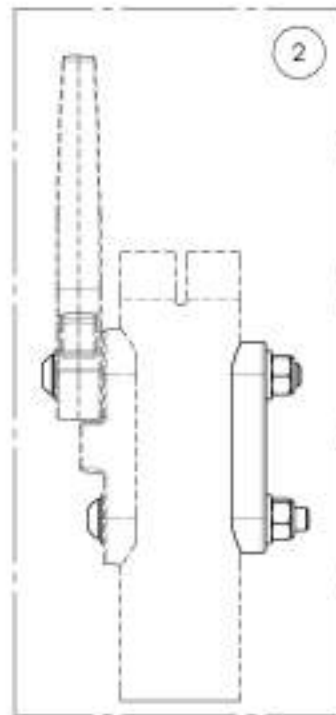
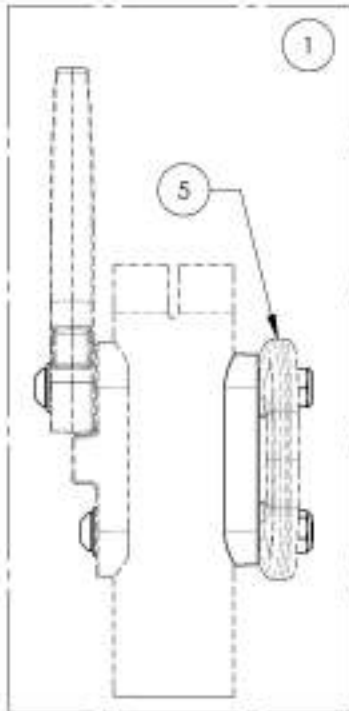
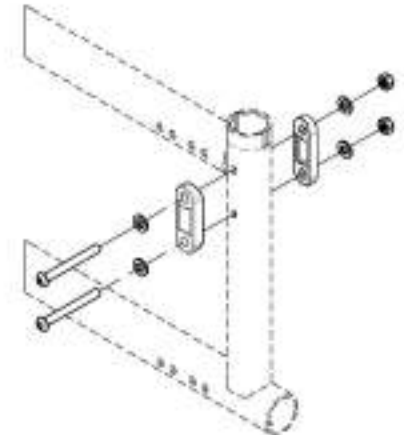
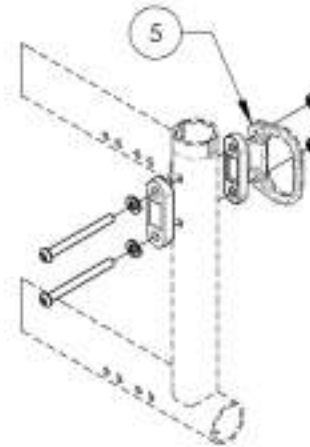
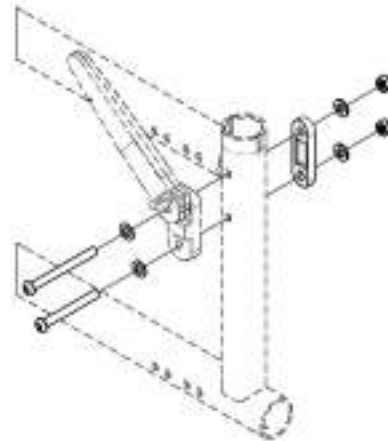
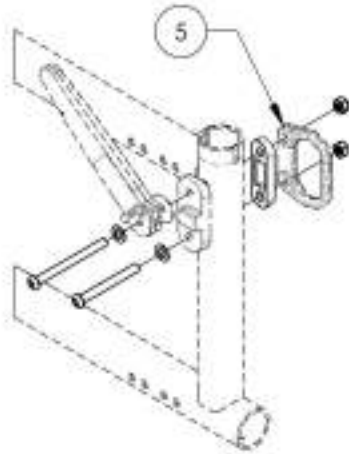
9001274
Back Cane - Aluminum,
Angle Adjustable, 8° bend,
18-21 in.



MAKE SURE TO HAVE YOUR SERIAL NUMBER
NEARBY WHEN ORDERING PARTS FOR YOUR
MOTION COMPOSITES WHEELCHAIR

Backrests Catalogue
Back Cane Hardware (Aluminum Frame)

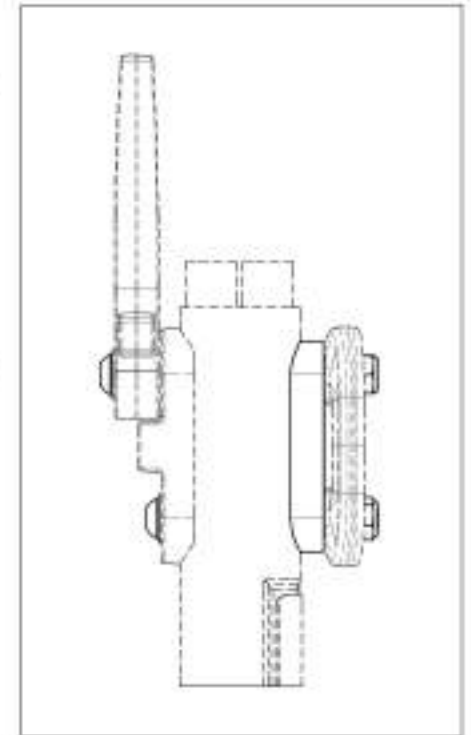
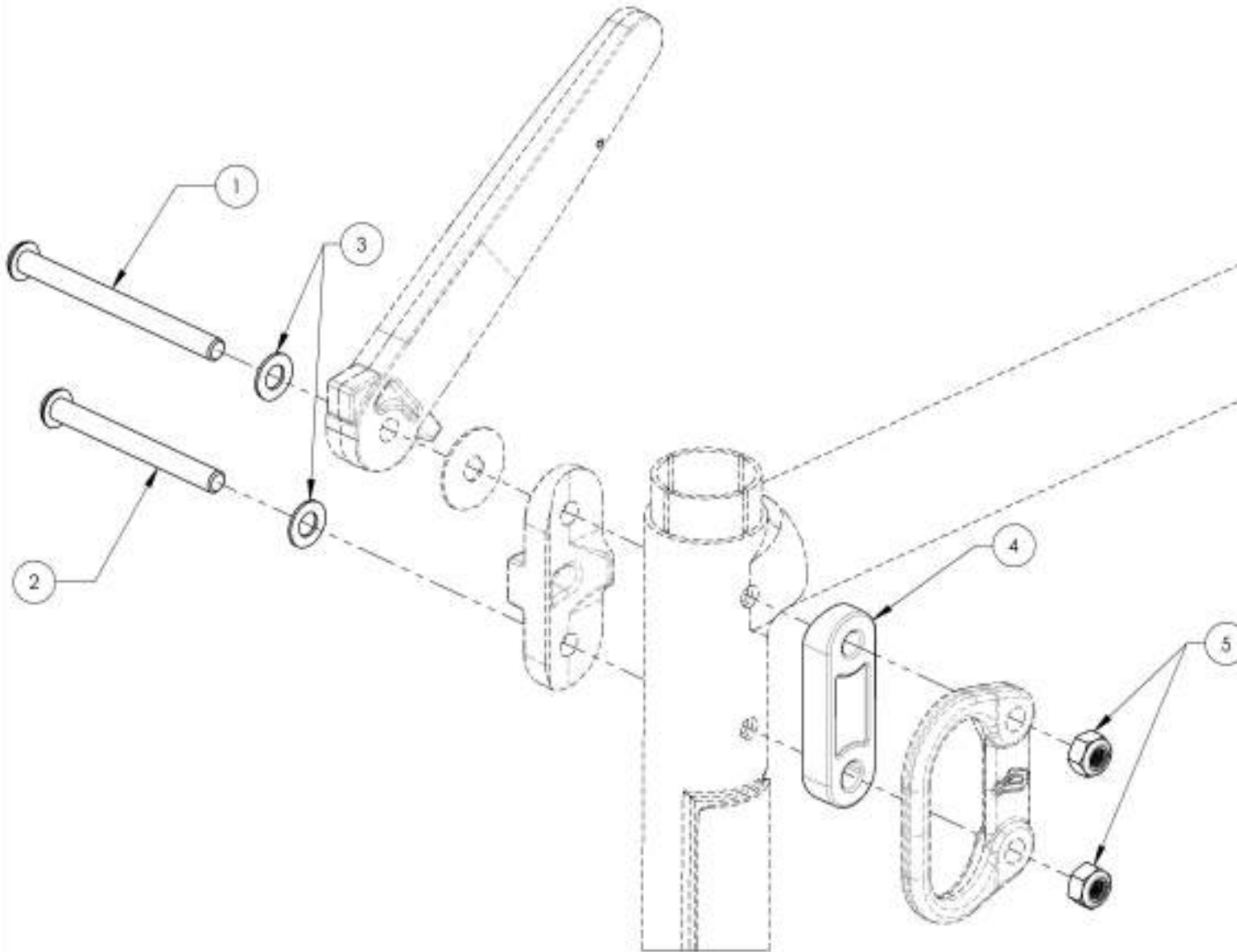
ITEM NO.	PARTNO	DESCRIPTION	QTY.
1	9001233	Back Cane - Hardware, With Tie Down for Flip Back Armrest	1
2	9001175	Back Cane - Hardware, Without Tie Down, for Flip Back Armrest	1
3	9001173	Back Cane - Hardware, With Tie Down, for T Armrest, Side Guards, Mud Guards, Locking Flip-Up Armrest, No Armrest	1
4	9001174	Back Cane - Hardware, Without Tie Down, for T Armrest, Side Guards, Mud Guards, Locking Flip-Up Armrest, No Armrest	1
5	9001625	Tie Down - Rear, Wheelchair Transit	1



MAKE SURE TO HAVE YOUR SERIAL NUMBER
 NEARBY WHEN ORDERING PARTS FOR YOUR
 MOTION COMPOSITES WHEELCHAIR

9001233
Back Cane - Hardware, With Tie Down for Flip Back Armrest

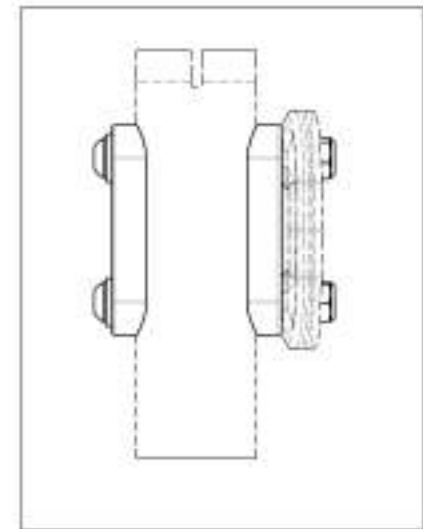
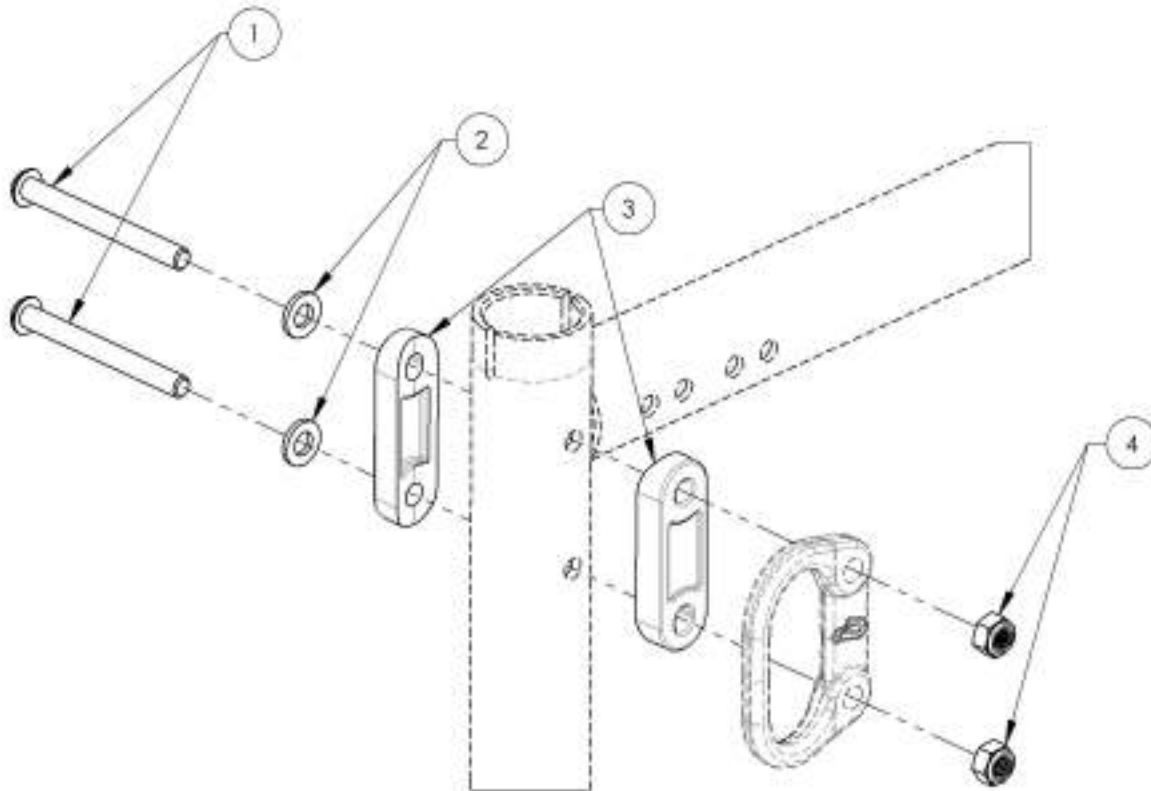
ITEM NO.	PARTNO	DESCRIPTION	9001233 /QTY.
1	90982	BUTTON HEAD CAP SCREW M6X1 X 70mm LONG, 24mm THREADED + BLUE THREADLOCKER - BLACK ZINC	1
2	90670	BUTTON HEAD CAP SCREW M6X1 X 58mm LONG, 24mm THREADED + BLUE THREADLOCKER - BLACK ZINC	1
3	99560	WASHER 1/4 17/64 ID X 1/2 OD X .032 THK	2
4	32066	DOUBLE COVERED WASHER	1
5	99512	M6 LOW NYLON LOCK	2



MAKE SURE TO HAVE YOUR SERIAL NUMBER
 NEARBY WHEN ORDERING PARTS FOR YOUR
 MOTION COMPOSITES WHEELCHAIR

9001173**Back Cane - Hardware, With Tie Down, for T Armrest, Side Guards,
Mud Guards, Locking Flip-Up Armrest, No Armrest**

ITEM NO.	PARTNO	DESCRIPTION	9001173 QTY.
1	90670	BUTTON HEAD CAP SCREW M6X1 X 58mm LONG, 24mm THREADED	2
2	99562	WASHER 1/4 17/64 ID X 5/8 OD X .062 THK.	2
3	32066	DOUBLE COVDED WASHER	2
4	99512	M6 LOW NYLON LOCK	2

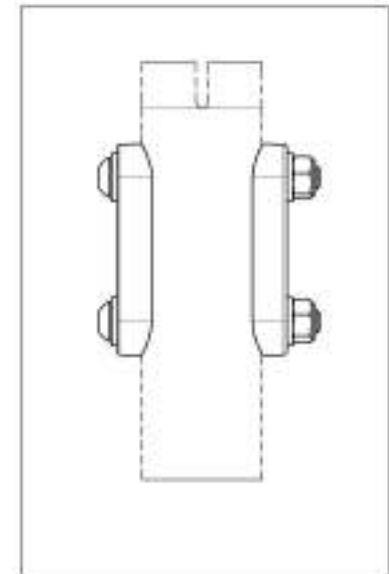
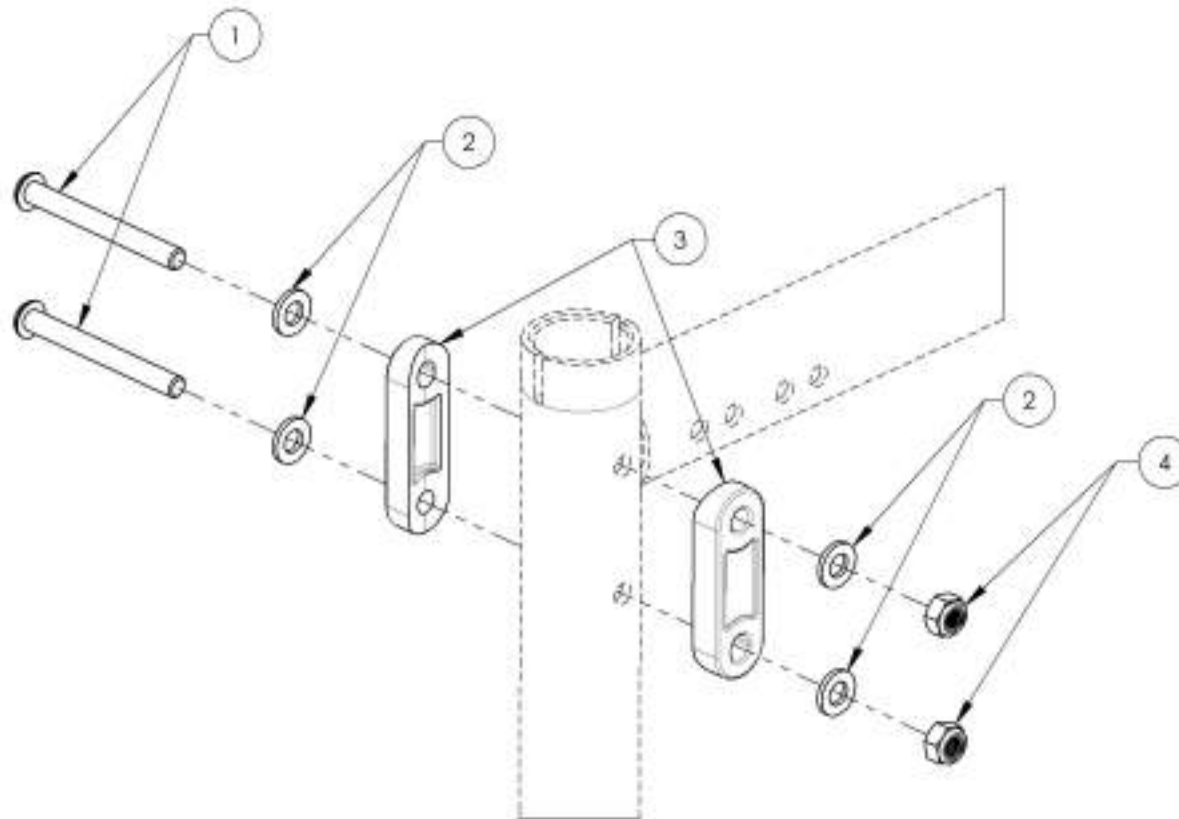


MAKE SURE TO HAVE YOUR SERIAL NUMBER
NEARBY WHEN ORDERING PARTS FOR YOUR
MOTION COMPOSITES WHEELCHAIR

9001174

**Back Cane - Hardware, Without Tie Down, for T Armrest, Side Guards,
Mud Guards, Locking Flip-Up Armrest, No Armrest**

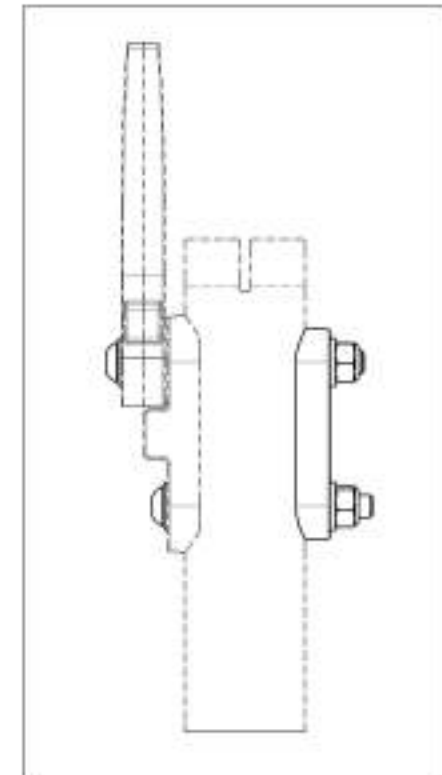
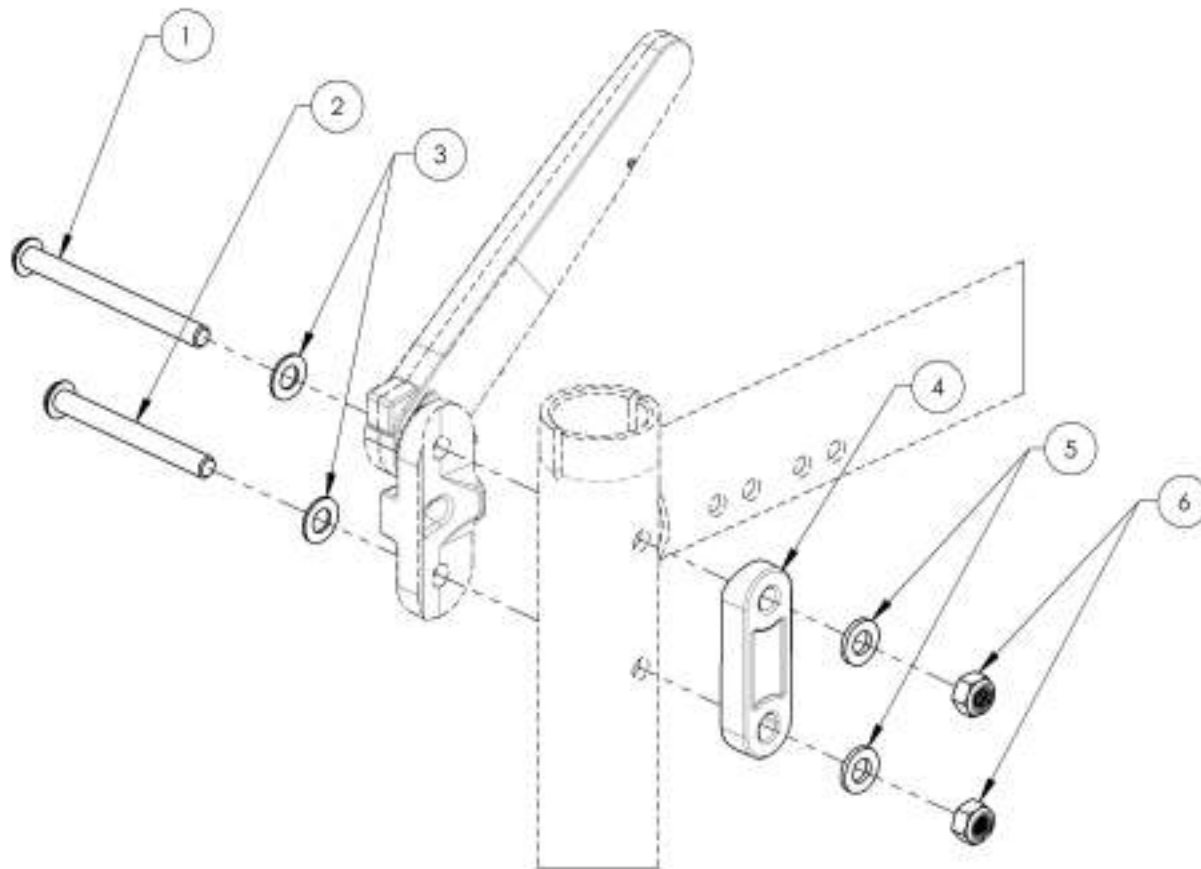
ITEM NO.	PARTNO	DESCRIPTION	9001174 /QTY.
1	90569	BUTTON HEAD CAP SCREW M6X1 X 55mm LONG, 24mm THREADED + BLUE THREADLOCKER - BLACK ZINC	2
2	99562	WASHER 1/4 17/64 ID X 5/8 OD X .062 THK.	4
3	32066	DOUBLE COVED WASHER	2
4	99512	M6 LOW NYLON LOCK	2



MAKE SURE TO HAVE YOUR SERIAL NUMBER
NEARBY WHEN ORDERING PARTS FOR YOUR
MOTION COMPOSITES WHEELCHAIR

9001175
Back Cane - Hardware, Without Tie Down, for Flip Back Armrest

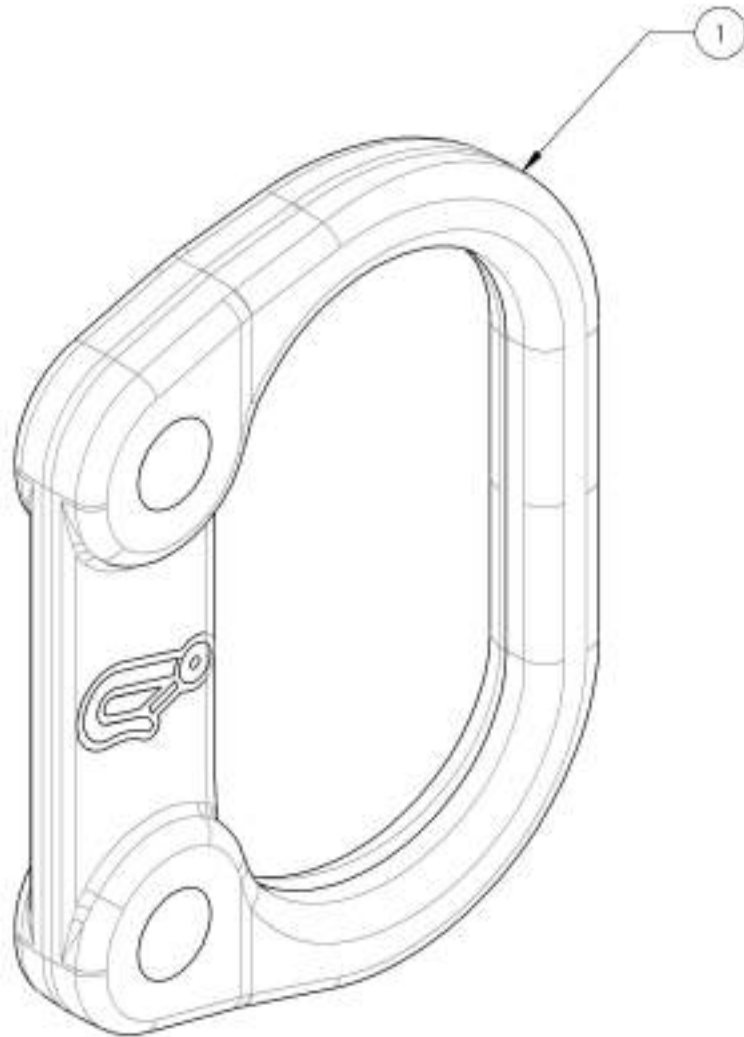
ITEM NO.	PARTNO	DESCRIPTION	9001175/ QTY.
1	91004	BUTTON HEAD CAP SCREW M6X1 X 65mm LONG, 24mm THREADED	1
2	90669	BUTTON HEAD CAP SCREW M6X1 X 35mm LONG, 24mm THREADED + BLUE THREADLOCKER - BLACK, INC	1
3	99560	WASHER 1/4 17/64 ID X 1/2 OD X .032 THK	2
4	32066	DOUBLE COVED WASHER	1
5	99562	WASHER 1/4 17/64 ID X 5/8 OD X .062 THK	2
6	99512	M6 LOW NYLON LOCK	2



MAKE SURE TO HAVE YOUR SERIAL NUMBER
 NEARBY WHEN ORDERING PARTS FOR YOUR
 MOTION COMPOSITES WHEELCHAIR

9001625
Tie Down - Rear, Wheelchair Transit

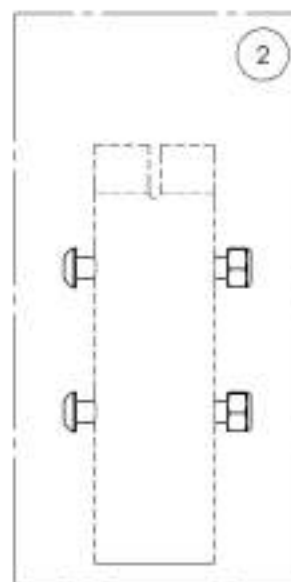
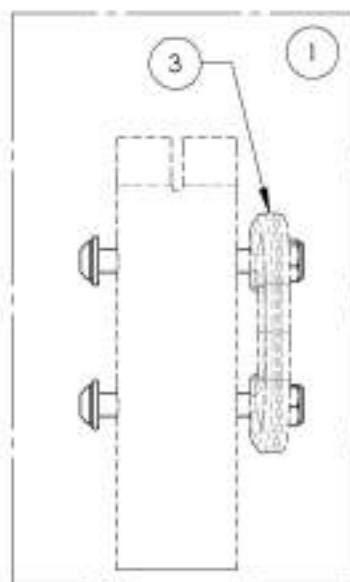
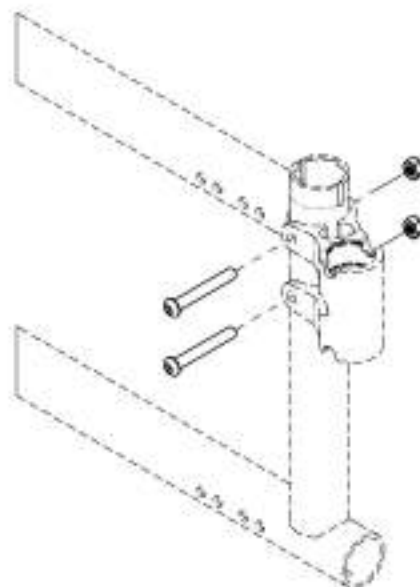
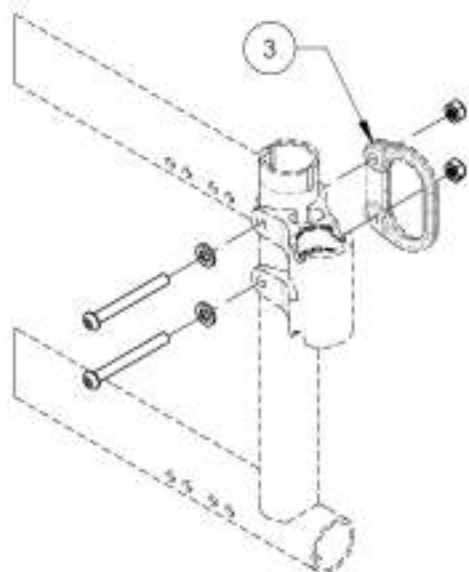
ITEM NO.	PARTNO	DESCRIPTION	9001625 /QTY.
1	22004	FRONT TIE DOWN	1



MAKE SURE TO HAVE YOUR SERIAL NUMBER
NEARBY WHEN ORDERING PARTS FOR YOUR
MOTION COMPOSITES WHEELCHAIR

Backrests Catalogue
Back Cane Hardware (L Type Armrest)

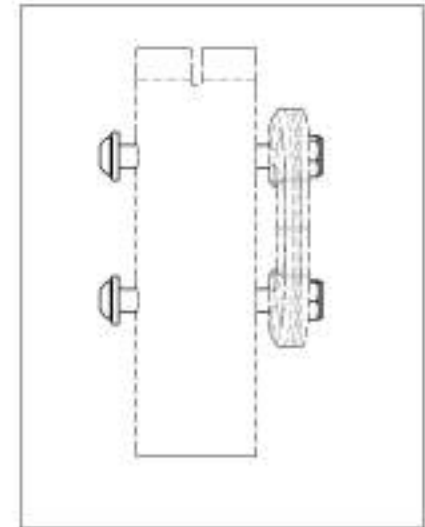
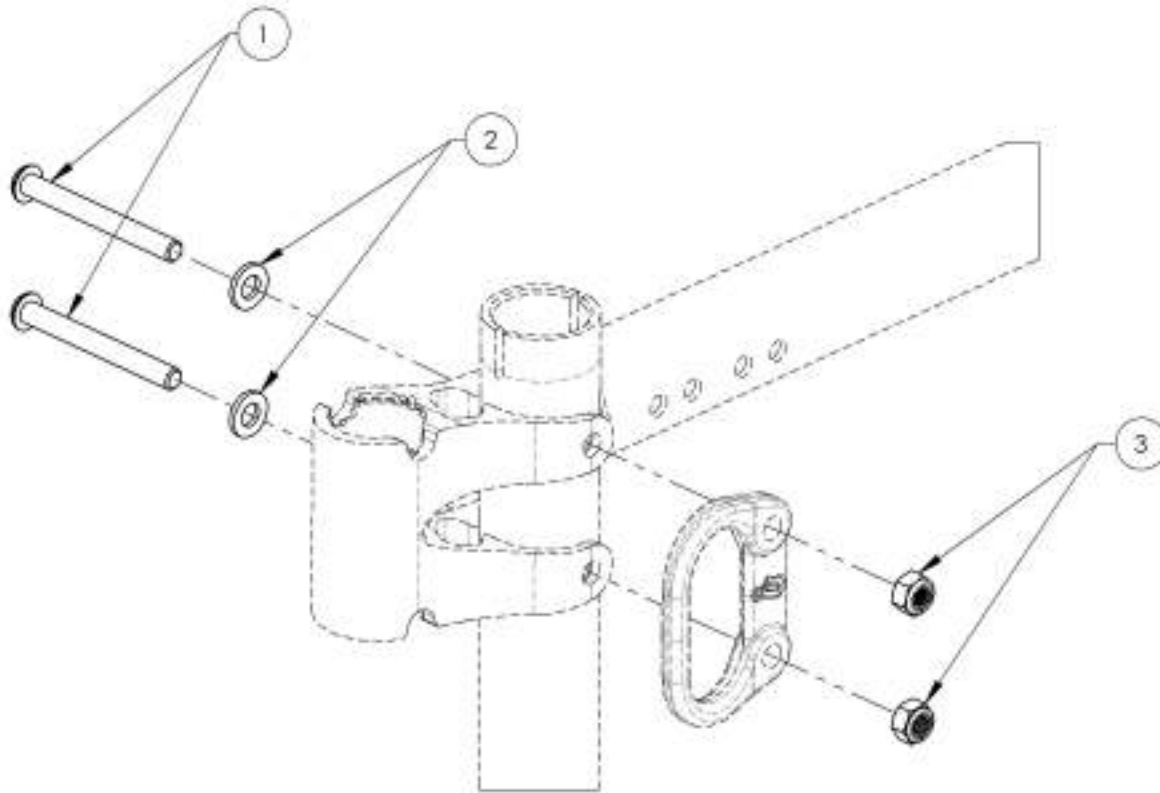
ITEM NO.	PARTNO	DESCRIPTION	QTY.
1	9007624	Hardware - For Swing Away Armrest, With Tie Down	1
2	9007625	Hardware - For Swing Away Armrest, Without Tie Down	1
3	9001625	Tie Down - Rear, Wheelchair Transit	1



MAKE SURE TO HAVE YOUR SERIAL NUMBER
 NEARBY WHEN ORDERING PARTS FOR YOUR
 MOTION COMPOSITES WHEELCHAIR

9007624
Hardware - For Swing Away Armrest, With Tie Down

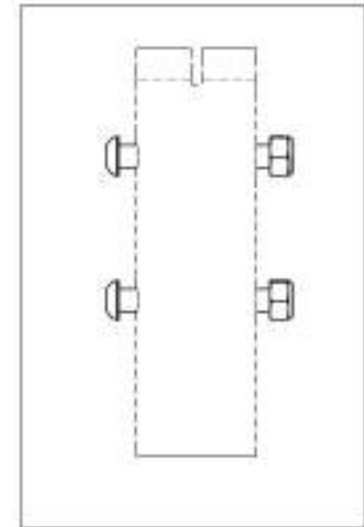
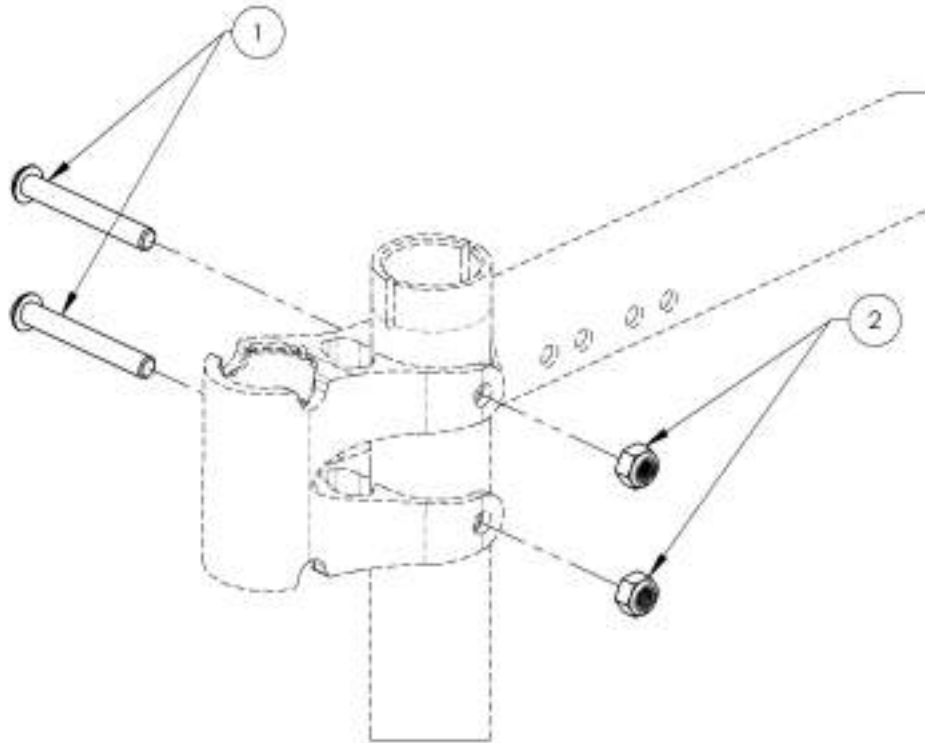
ITEM NO.	PARTNO	DESCRIPTION	9007624 /QTY.
1	90669	BUTTON HEAD CAP SCREW M6X1 X 50mm LONG, 24mm THREADED + BLUE THREADLOCKER - BLACK ZINC	2
2	99562	WASHER 1/4 17/64 ID X 5/8 OD X .062 THK.	2
3	99512	M6 LOW NYLON LOCK	2



MAKE SURE TO HAVE YOUR SERIAL NUMBER
 NEARBY WHEN ORDERING PARTS FOR YOUR
 MOTION COMPOSITES WHEELCHAIR

9007625
Hardware - For Swing Away Armrest, Without Tie Down

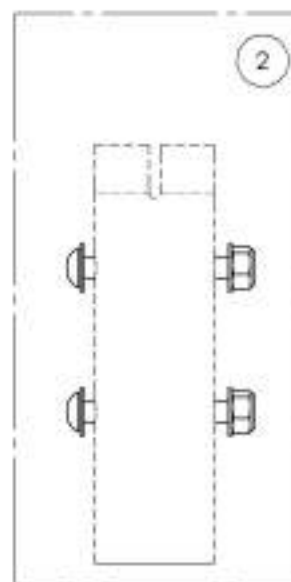
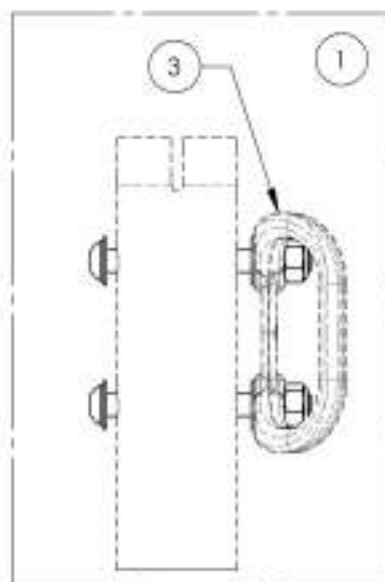
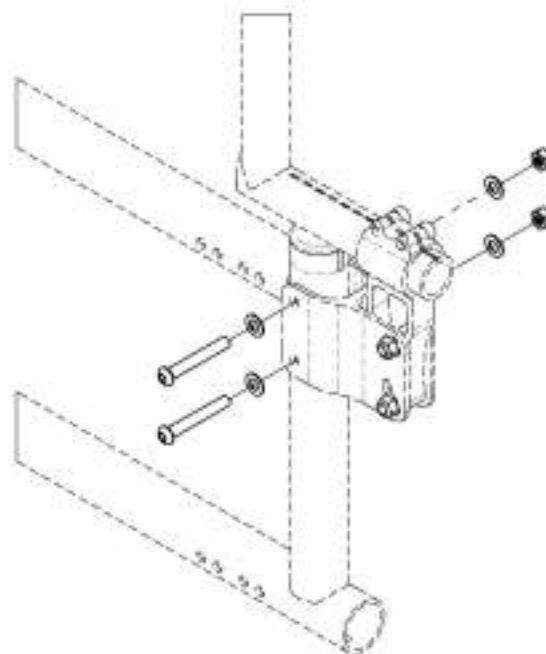
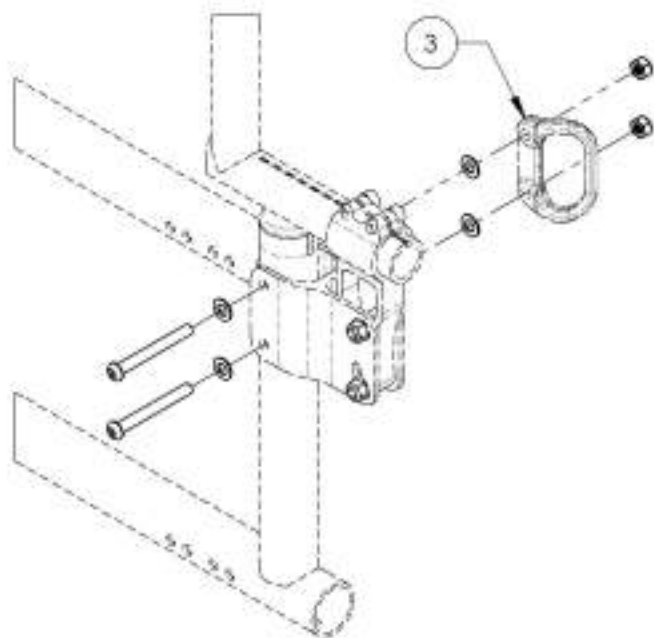
ITEM NO.	PARTNO	DESCRIPTION	9007625 QTY.
1	90667	BUTTON HEAD CAP SCREW M6X1 X 45mm LONG, 24mm THREADED + BLUE THREADLOCKER - BLACK ZINC	2
2	99512	M6 LOW NYLON LOCK	2



MAKE SURE TO HAVE YOUR SERIAL NUMBER
 NEARBY WHEN ORDERING PARTS FOR YOUR
 MOTION COMPOSITES WHEELCHAIR

Backrests Catalogue
Back Cane Hardware (Depth Adj. Back Cane)

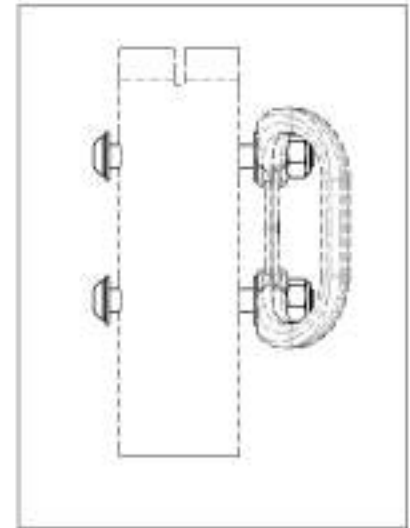
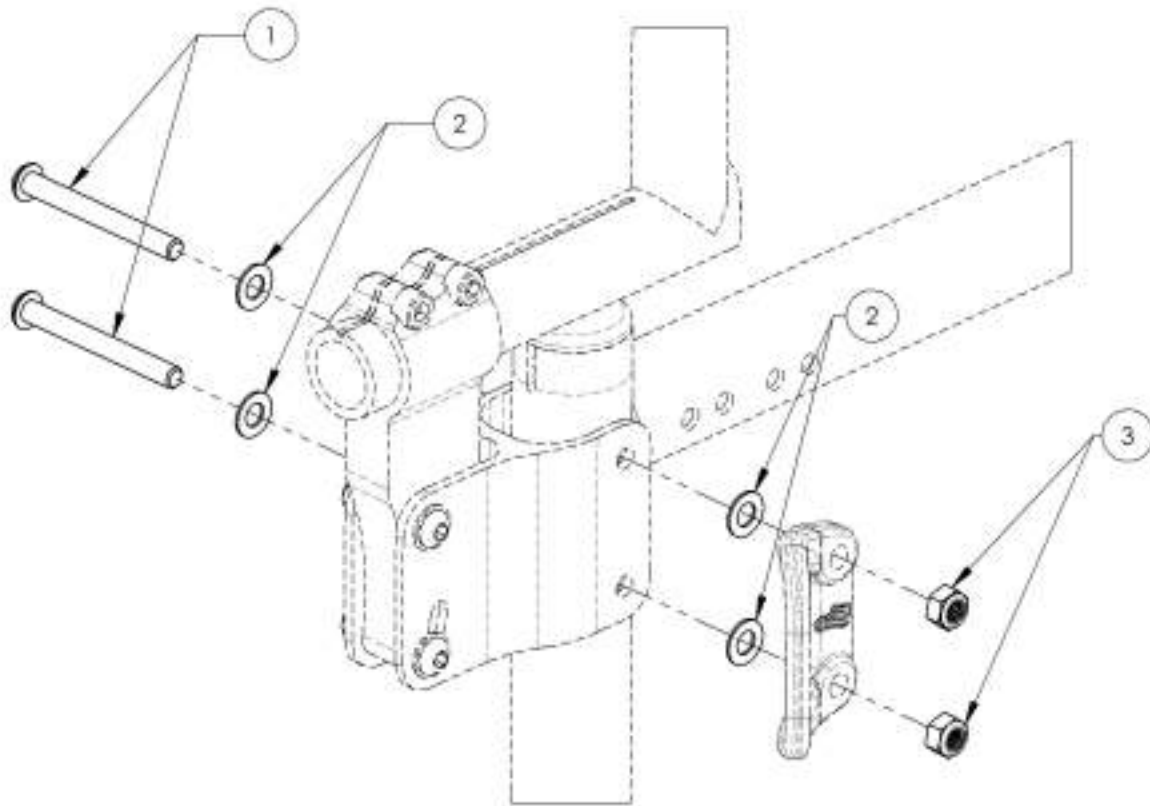
ITEM NO.	PARTNO	DESCRIPTION	QTY.
1	9007626	Hardware - For Depth Adjustable Back Cane, With Tie Down	1
2	9007627	Hardware - For Depth Adjustable Back Cane, Without Tie Down	1
3	9007626	Tie Down - Rear, Wheelchair Transit, Angled	1



MAKE SURE TO HAVE YOUR SERIAL NUMBER
 NEARBY WHEN ORDERING PARTS FOR YOUR
 MOTION COMPOSITES WHEELCHAIR

9007626**Hardware - For Depth Adjustable Back Cane, With Tie Down**

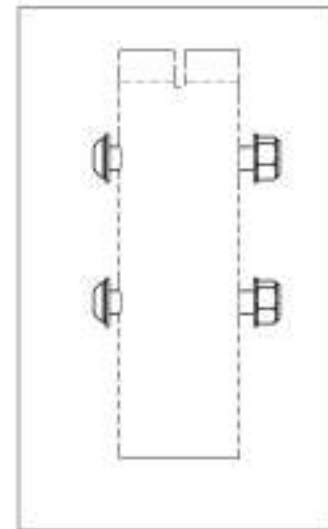
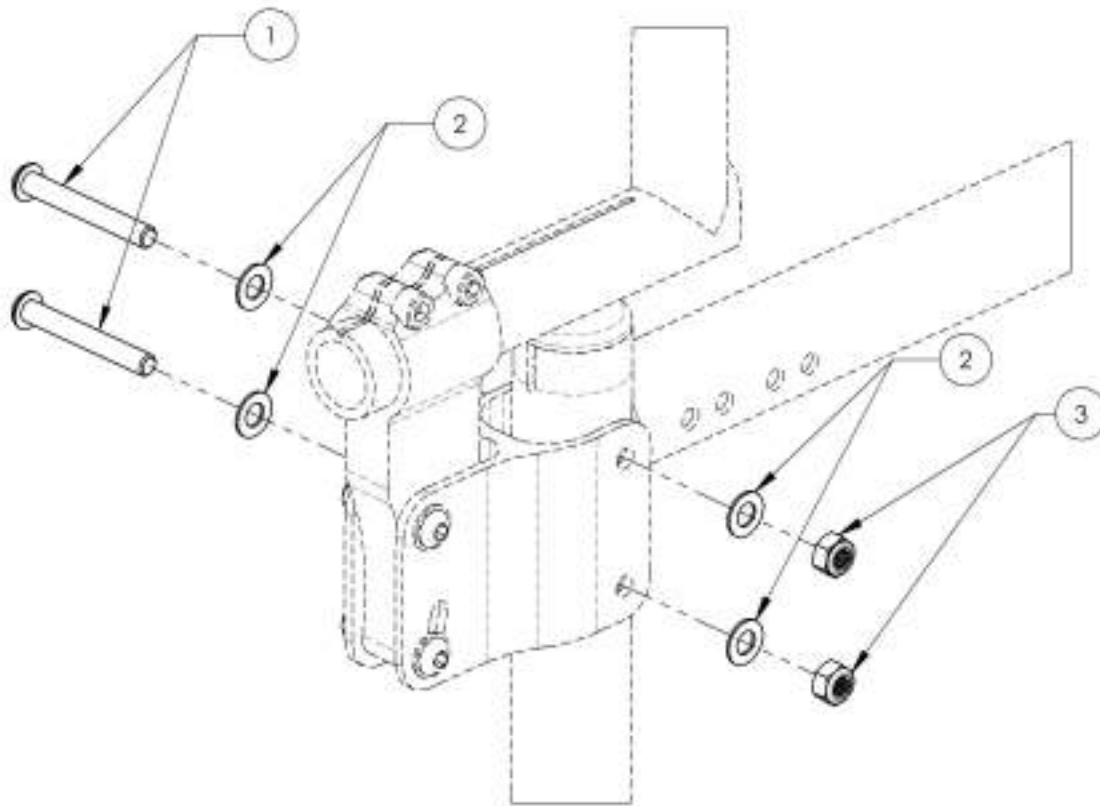
ITEM NO.	PARTNO	DESCRIPTION	9007626 /QTY.
1	90669	BUTTON HEAD CAP SCREW M6X1 X 55mm LONG, 24mm THREADED + BLUE THREADLOCKER - BLACK ZINC	2
2	99560	WASHER 1/4 17/64 ID X 1/2 OD X .032 THK	4
3	99512	M6 LOW NYLON LOCK	2



MAKE SURE TO HAVE YOUR SERIAL NUMBER
NEARBY WHEN ORDERING PARTS FOR YOUR
MOTION COMPOSITES WHEELCHAIR

9007627**Hardware - For Depth Adjustable Back Cane, Without Tie Down**

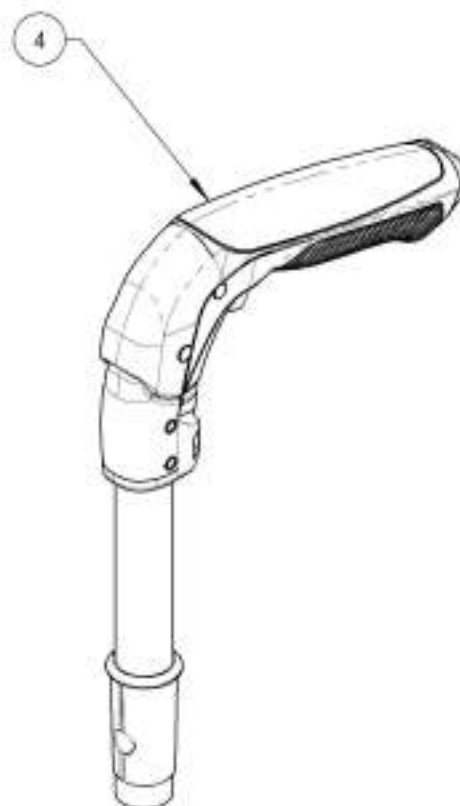
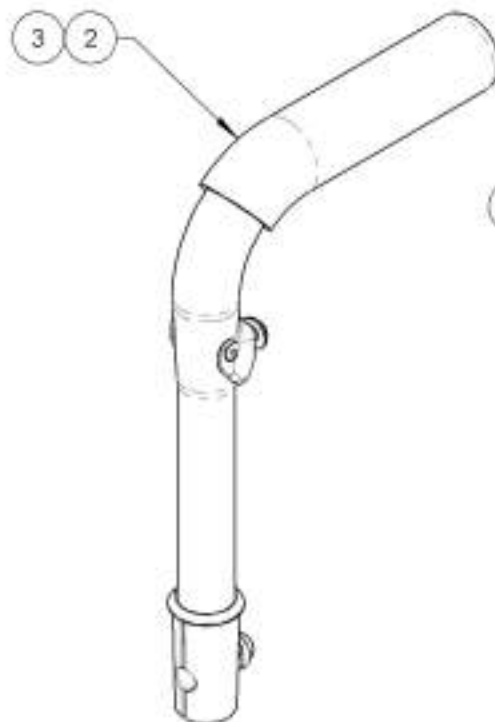
ITEM NO.	PARTNO	DESCRIPTION	9007627 QTY.
1	90667	BUTTON HEAD CAP SCREW M6X1 X 45mm LONG, 24mm THREADED + BLUE THREADLOCKER - BLACK ZINC	2
2	99560	WASHER 1/4 17/64 ID X 1/2 OD X .032 THK	4
3	99512	M6 LOW NYLON LOCK	2



MAKE SURE TO HAVE YOUR SERIAL NUMBER
NEARBY WHEN ORDERING PARTS FOR YOUR
MOTION COMPOSITES WHEELCHAIR

Backrest Catalogue
Push Handles & Straight Extension

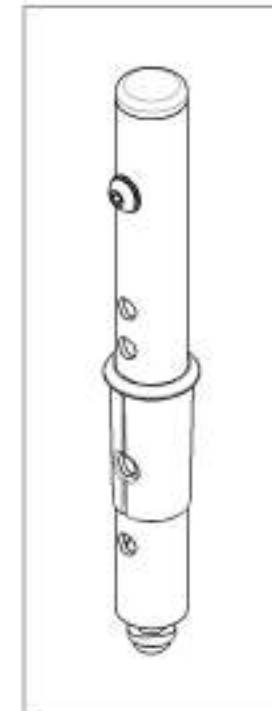
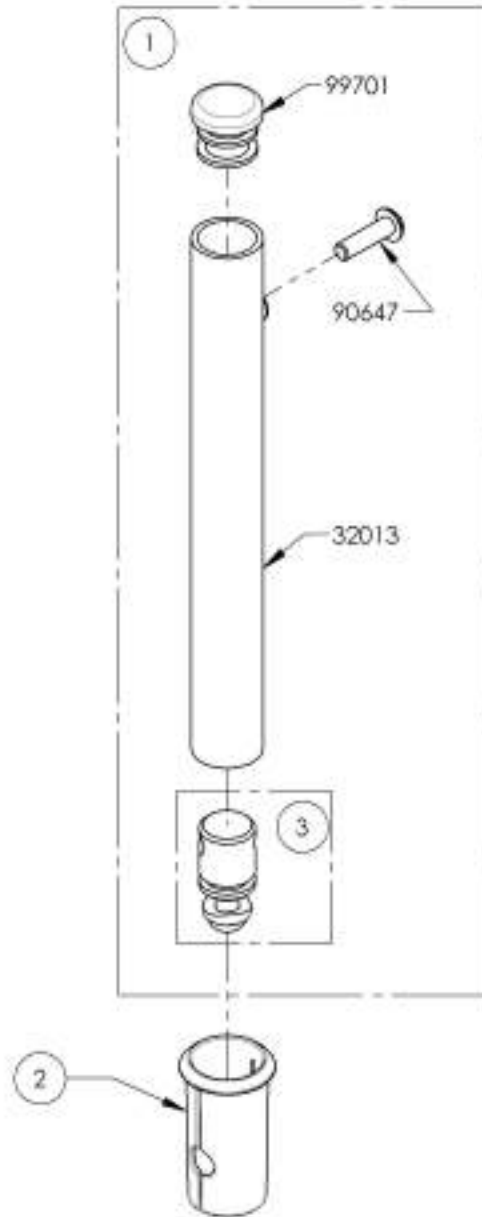
ITEM NO.	PARTNO	DESCRIPTION	QTY
1	9001286	Without Push Handle - Straight Extension	1
2	9001285	Push Handle - Adjustable	1
3	9002915	HD Push Handle - Adjustable	1
4	9000095	Push Handle - Fold Down, Adjustable	1



MAKE SURE TO HAVE YOUR SERIAL NUMBER
 NEARBY WHEN ORDERING PARTS FOR YOUR
 MOTION COMPOSITES WHEELCHAIR

9001286
Without Push Handle - Straight Extension

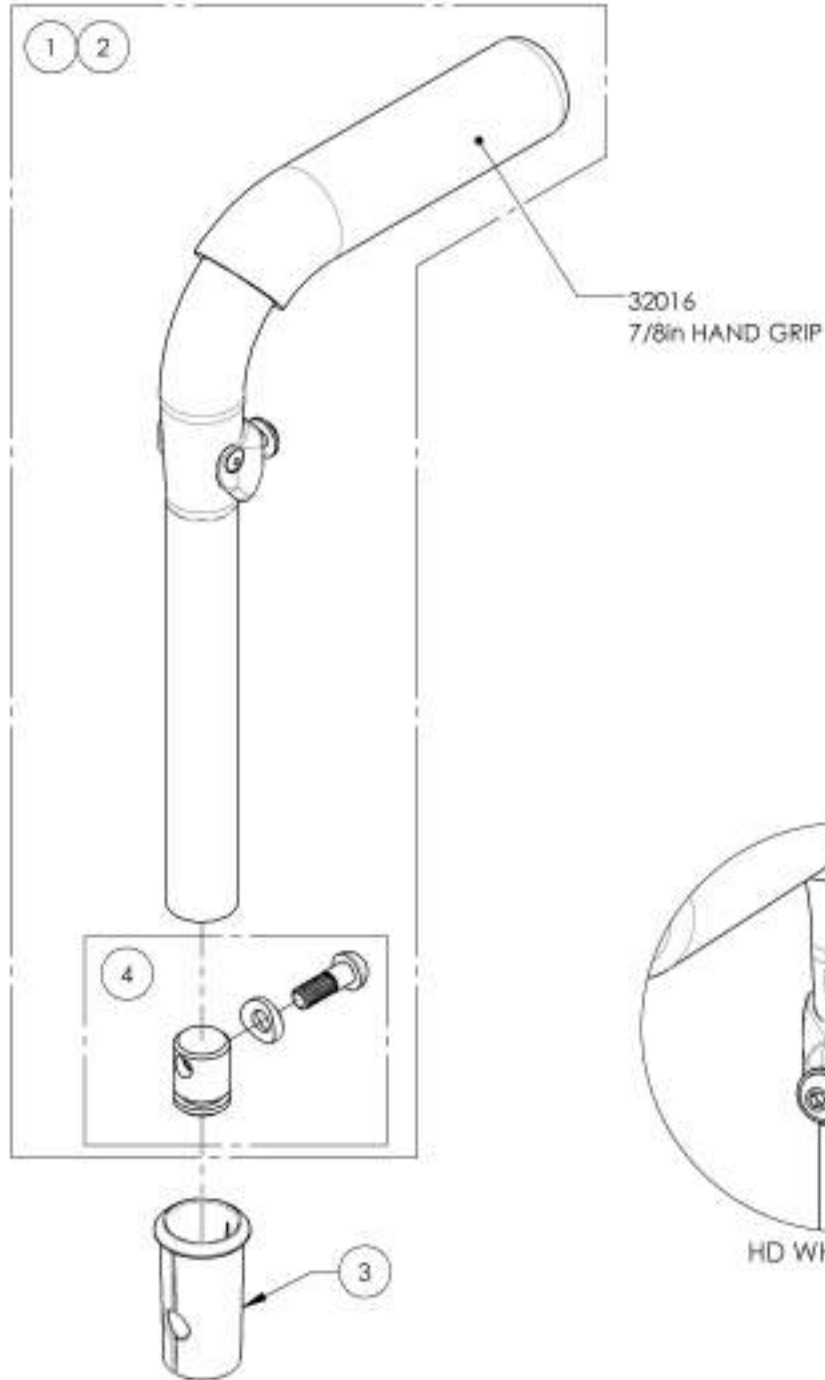
ITEM NO.	PARTNO	DESCRIPTION	9001286 /QTY.	REPLACEMENT PART/QTY.
1	32006	BACK EXTENSION - ASSEMBLY (M)	1	-
2	32017	PUSH HANDLE BACK SLEEVE	1	-
3	32014	DOWEL NUT PUSH HANDLE - ASSEMBLY (M)	-	1



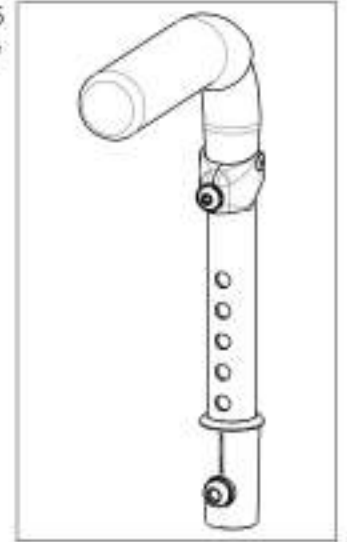
MAKE SURE TO HAVE YOUR SERIAL NUMBER
 NEARBY WHEN ORDERING PARTS FOR YOUR
 MOTION COMPOSITES WHEELCHAIR

**9001285 & 9002915
Standard & HD Push Handle - Adjustable**

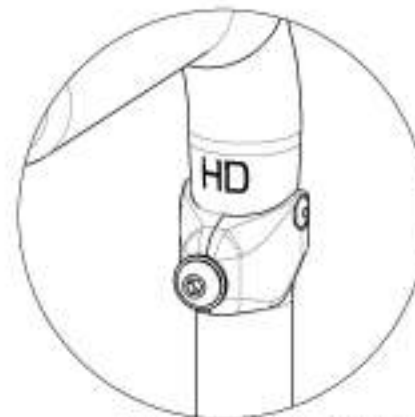
ITEM NO.	PART NO	DESCRIPTION	9001285 /QTY.	9002915 /QTY.	REPLACEMENT PARTS/QTY.
1	32507	7_8" PUSH HANDLE - ASSEMBLY (M)	1	-	-
2	32533	7_8in HD PUSH HANDLE - ASSEMBLY	-	1	-
3	32017	PUSH HANDLE BACK SLEEVE	1	1	-
4	32514	DOWEL NUT PUSH HANDLE - ASSEMBLY (M)	-	-	1



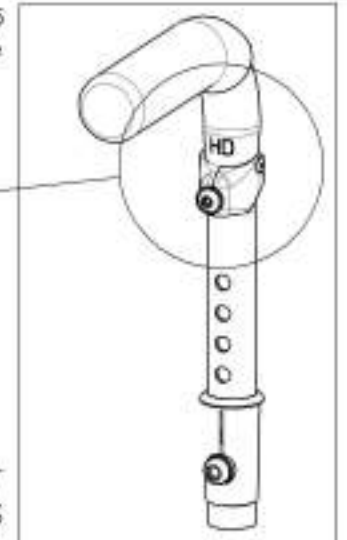
9001285
Push Handle - Adjustable



9002915
HD Push Handle - Adjustable



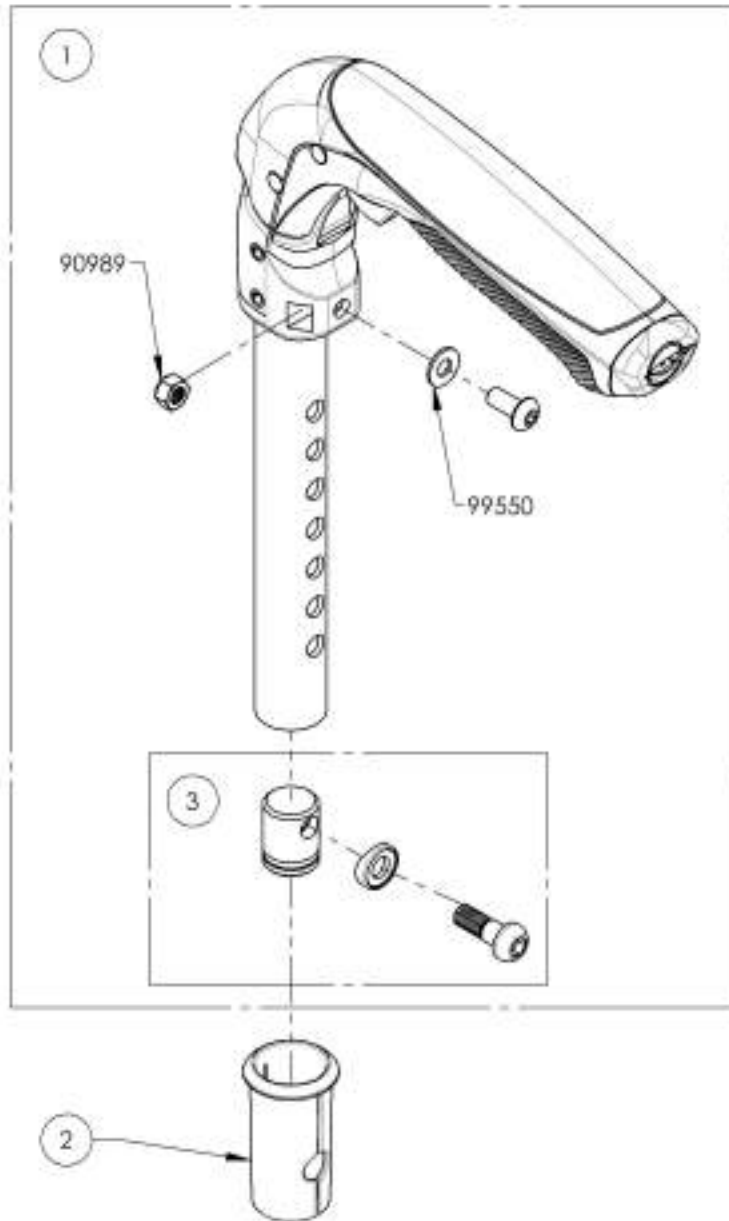
HD WHEELCHAIRS AND STROLLER HANDLE USERS MUST USE THE HD VERSION OF THE PUSH HANDLES



MAKE SURE TO HAVE YOUR SERIAL NUMBER NEARBY WHEN ORDERING PARTS FOR YOUR MOTION COMPOSITES WHEELCHAIR

9003095
Push Handle - Fold Down, Adjustable

ITEM NO.	PARTNO	DESCRIPTION	9003095 /QTY.	REPLACEMENT PARTS/QTY.
1	32542	FOLD DOWN PUSH HANDLE - ASSEMBLY	1	-
2	32017	PUSH HANDLE BACK SLEEVE	1	-
3	32514	DOWEL NUT PUSH HANDLE - ASSEMBLY (M)	-	1



9003095
 Push Handle - Fold Down, Adjustable

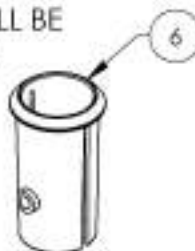


MAKE SURE TO HAVE YOUR SERIAL NUMBER
 NEARBY WHEN ORDERING PARTS FOR YOUR
 MOTION COMPOSITES WHEELCHAIR

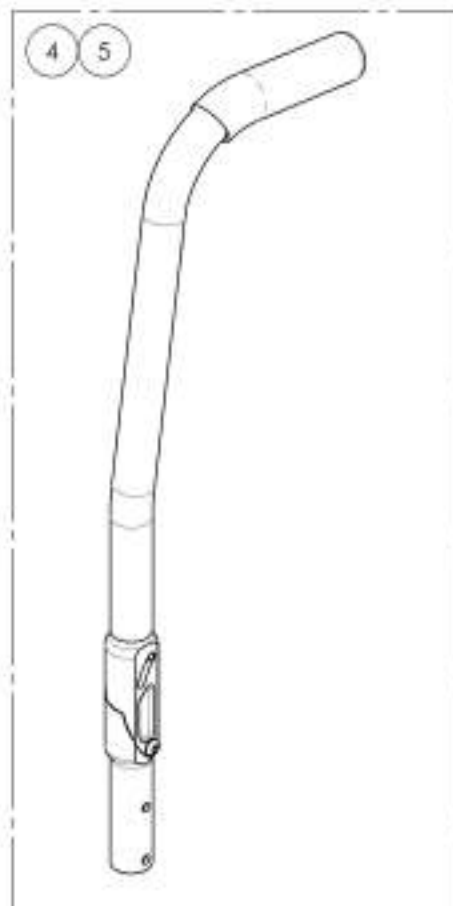
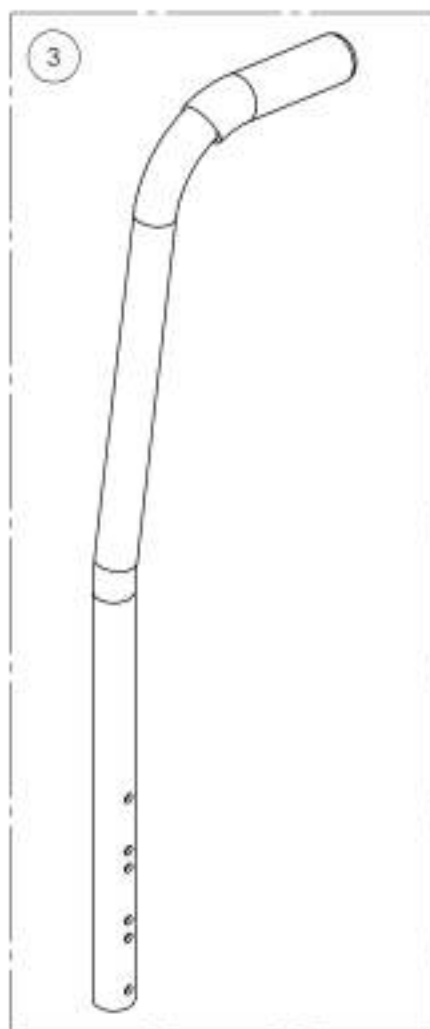
Backrests Catalogue
Integrated Push Handle Back Canes

***NOTE: USE SLEEVE #9001003 IF ANY OF THESE OPTIONS WILL BE INSTALLED WITH ALUMINUM STRAIGHT BACK CANES WITH INTEGRATED PUSH HANDLE (#9003298 OR #9003299)**

1. STROLLER HANDLE (#9001605 TO #9001613)
2. NEWTON STABILIZER BAR (#9001594 TO #9001604)



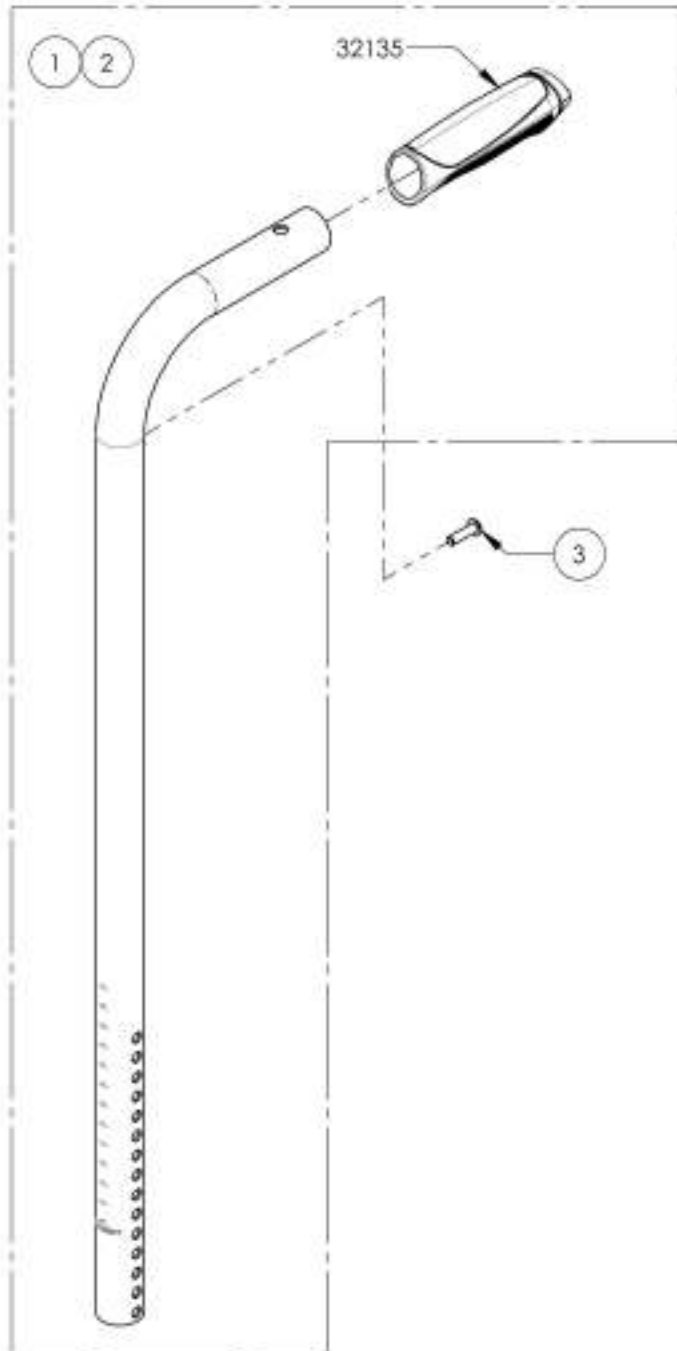
ITEM NO.	PARTNO	DESCRIPTION	QTY
1	9003298	Back Canes - Aluminium, Straight + Integrated Push Handle, 9-15 in	1
2	9003299	Back Canes - Aluminium, Straight + Integrated Push Handle, 15-21 in	1
3	9001275	Back Canes - Aluminium, 8° bend + Integrated Push Handle, 16, 18 or 20 in	1
4	9001276	Back Canes - Aluminium, Angle Adjustable, 8° bend + Integrated Push Handle, 16 in	1
5	9001277	Back Canes - Aluminium, Angle Adjustable, 8° bend + Integrated Push Handle, 20 in	1
6	9001003	Back Canes - Sleeve for Integrated Push Handle	1



MAKE SURE TO HAVE YOUR SERIAL NUMBER NEARBY WHEN ORDERING PARTS FOR YOUR MOTION COMPOSITES WHEELCHAIR

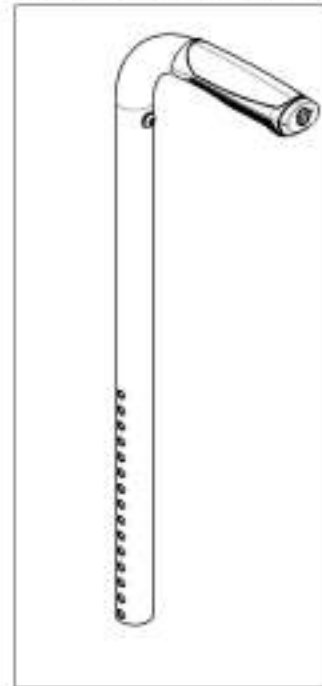
9003298_9003299

Back Cane - Aluminium, Straight + Integrated Push Handle

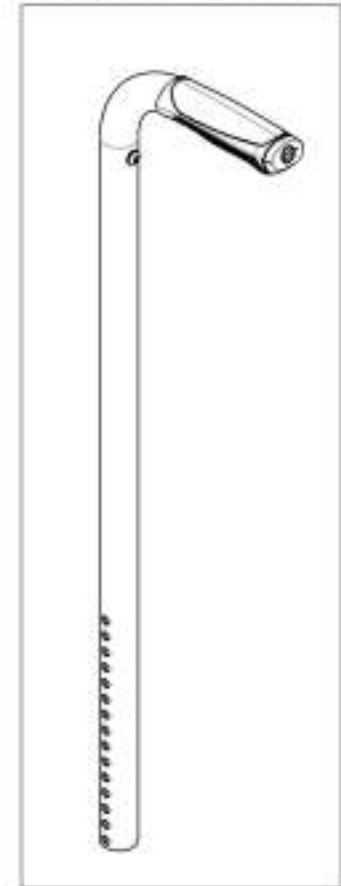


ITEM NO.	PARTNO	DESCRIPTION	9003298 /QTY.	9003299 /QTY.
1	32539	ALL STRAIGHT BACK CANE 9-15in WITH FIXED PUSH HANDLE - ASSY	1	-
2	32540	ALL STRAIGHT BACK CANE 15-21in WITH FIXED PUSH HANDLE - ASSY	-	1
3	90647	BUTTON HEAD CAP SCREW M6X0.8 X 18mm LONG, FULLY THREADED + BLUE THREADLOCKER - BLACK ZINC	1	1

9003298
Back Cane - Aluminium, Straight +
Integrated Push Handle, 9-15 in



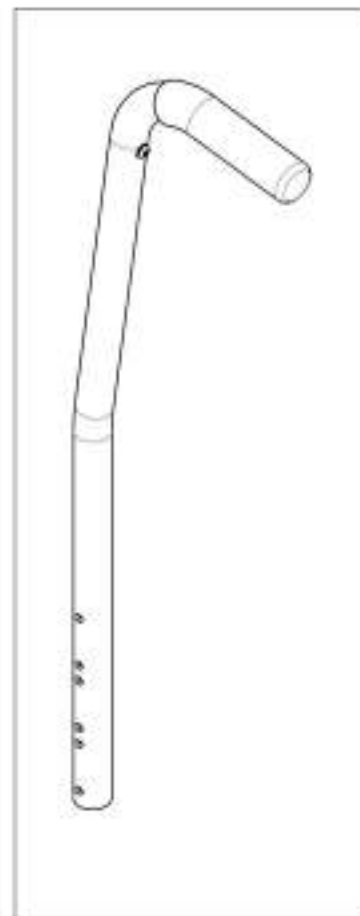
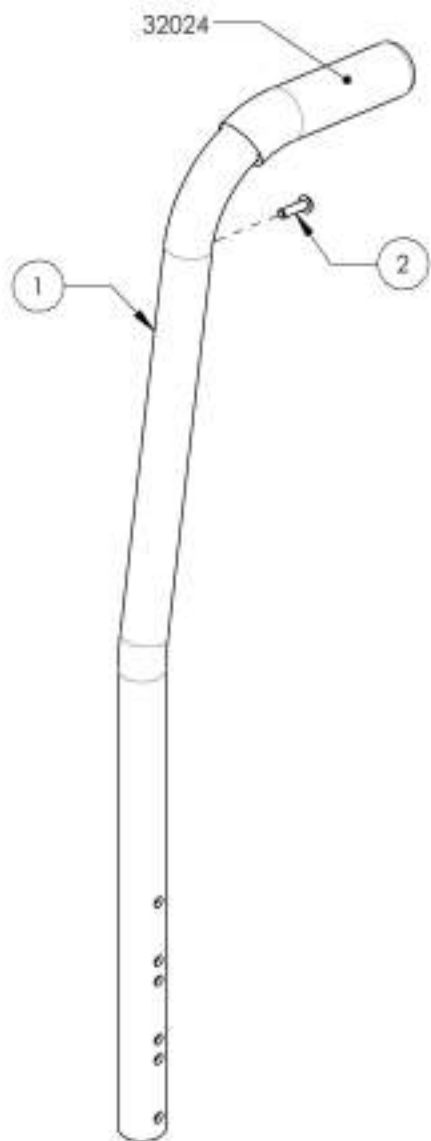
9003299
Back Cane - Aluminium, Straight +
Integrated Push Handle, 15-21 in



MAKE SURE TO HAVE YOUR SERIAL NUMBER
NEARBY WHEN ORDERING PARTS FOR YOUR
MOTION COMPOSITES WHEELCHAIR

9001275
Back Cane - Aluminium, 8° bend + Integrated Push Handle, 16, 18 or 20 in

ITEM NO.	PARTNO	DESCRIPTION	9001275 /QTY.
1	32500	ALU 8 DEG BACK CANE 16, 18 OR 20 in WITH FIXED PUSH HANDLE - ASSEMBLY (M)	1
2	90647	BUTTON HEAD CAP SCREW M3X0.8 X 18mm LONG, FULLY THREADED + BLUE THREADLOCKER - BLACK ZINC	1

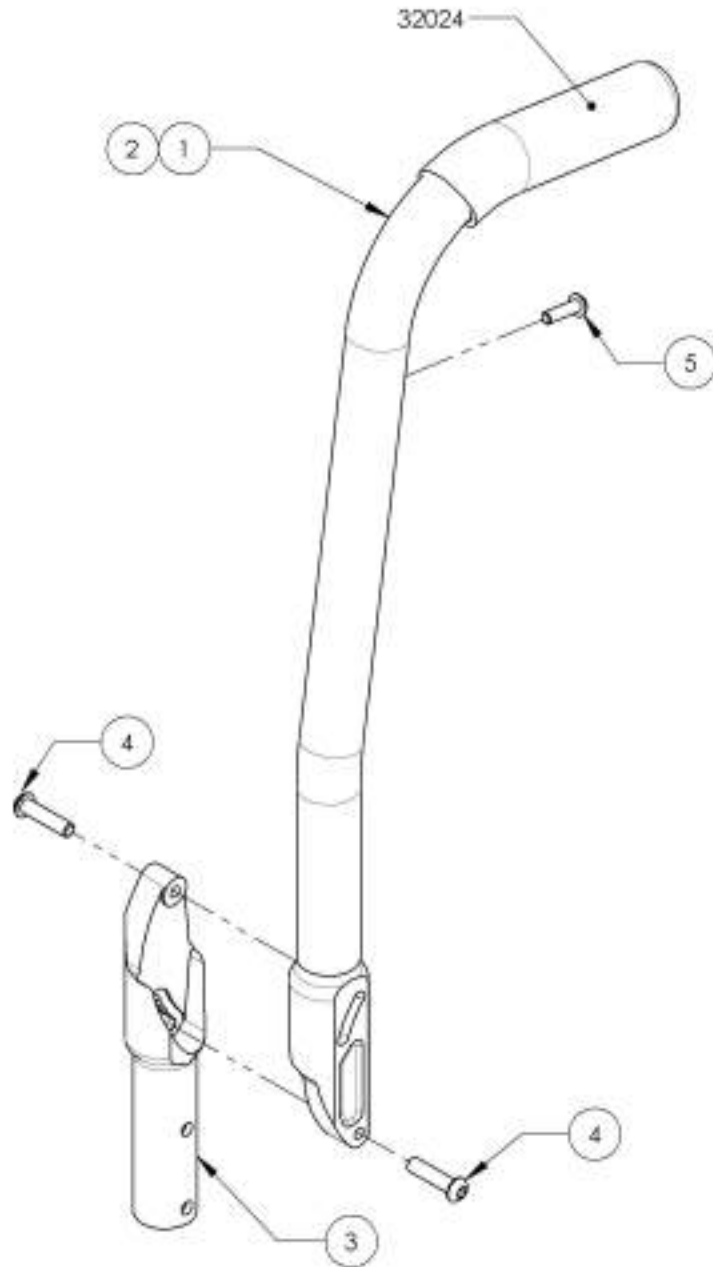


MAKE SURE TO HAVE YOUR SERIAL NUMBER
NEARBY WHEN ORDERING PARTS FOR YOUR
MOTION COMPOSITES WHEELCHAIR

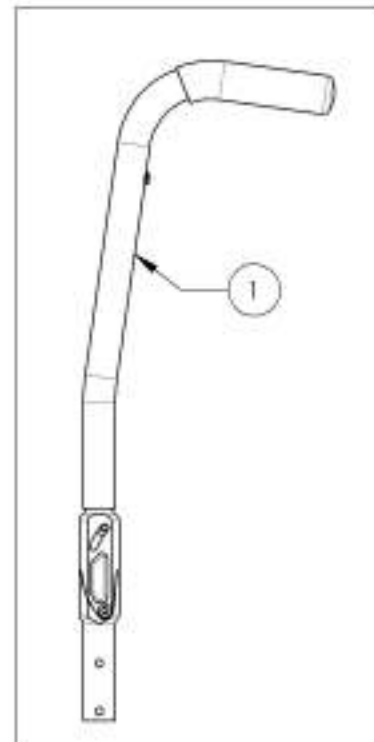
9001276_9001277

Back Cane - Aluminum, Angle adjustable, 8° bend + Integrated Push Handle

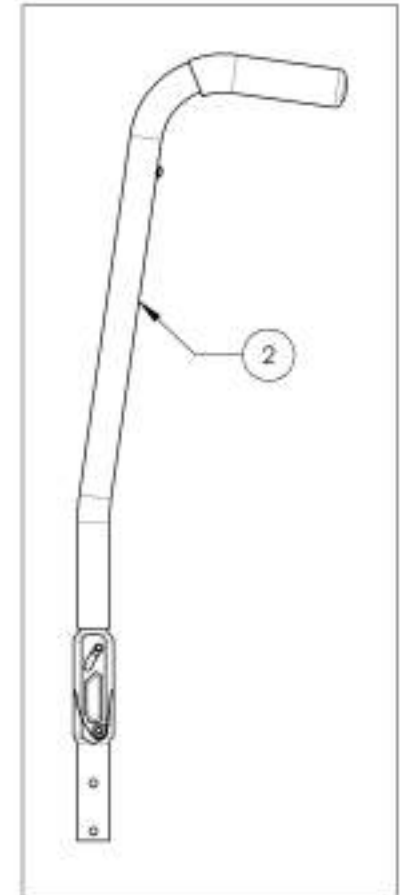
ITEM NO.	PARTNO	DESCRIPTION	9001276 /QTY.	9001277 /QTY.
1	32501	ALUMINIUM ADJUSTABLE ANGLE BACK 16" W_ FIXED PUSH HANDLE - ASSEMBLY (M)	1	-
2	32502	ALUMINIUM ADJUSTABLE ANGLE BACK 20" W_ FIXED PUSH HANDLE - ASSEMBLY (M)	-	1
3	32037	LOWER ADJUSTABLE BACKREST (M)	1	1
4	90663	BUTTON HEAD CAP SCREW M6X1 X 25mm LONG, FULLY THREADED	2	2
5	90647	BUTTON HEAD CAP SCREW M5X0.8 X 18mm LONG, FULLY THREADED + BLUE THREADLOCKER - BLACK ZINC	1	1



9001276
Back Cane - Aluminum, Angle Adjustable, 8° bend + Integrated Push Handle, 16 in



9001277
Back Cane - Aluminum, Angle Adjustable, 8° bend + Integrated Push Handle, 20 in



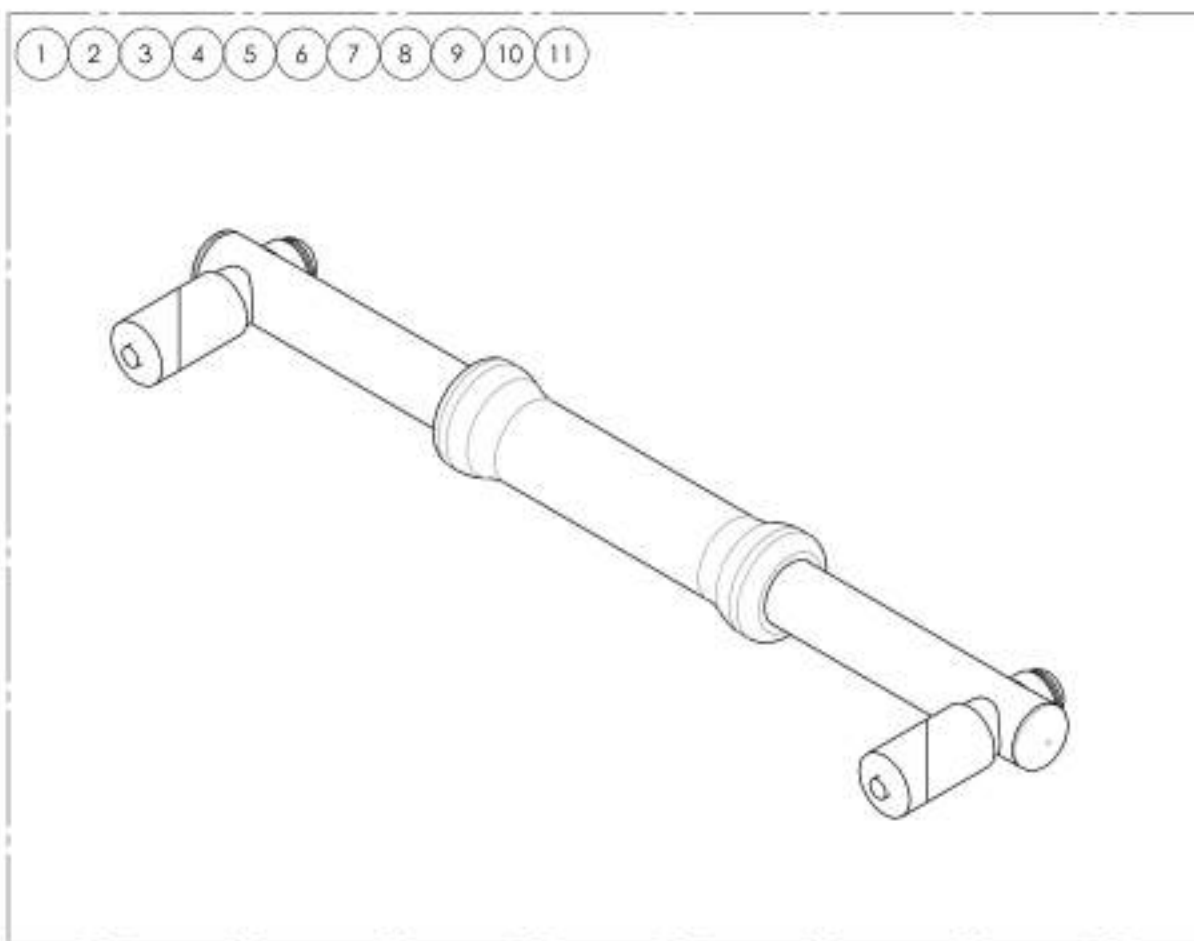
MAKE SURE TO HAVE YOUR SERIAL NUMBER NEARBY WHEN ORDERING PARTS FOR YOUR MOTION COMPOSITES WHEELCHAIR

Backrests Catalogue
Newton Folding Stabilizer Bar

USE SLEEVE #9001003 IF THE NEWTON STABILIZER BAR (#9001594 TO #9001604) WILL BE INSTALLED WITH ALUMINUM STRAIGHT BACK CANES WITH INTEGRATED PUSH HANDLE (#9003298 OR #9003299)



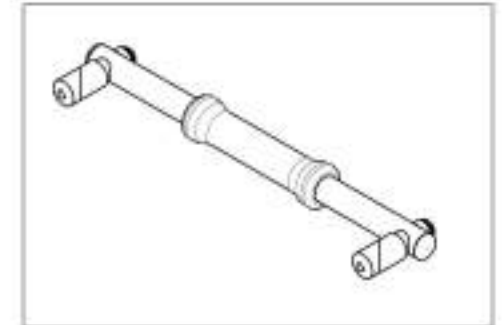
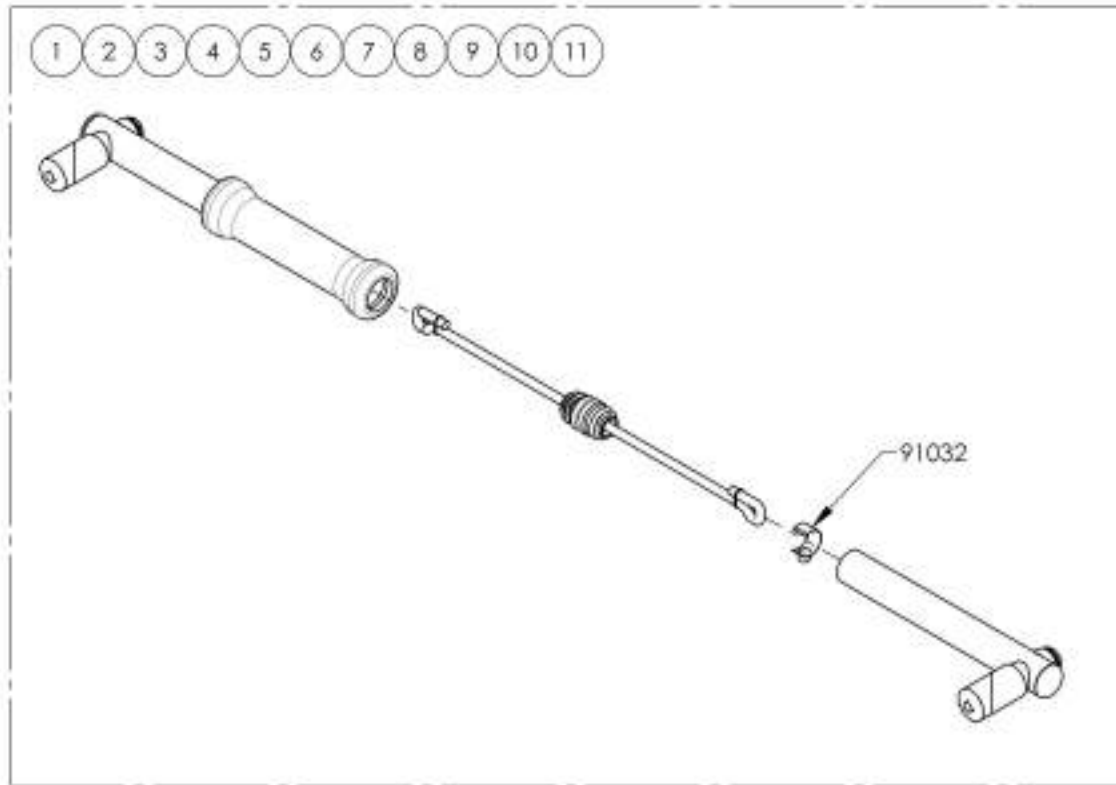
ITEM NO.	PARTNO	DESCRIPTION	QTY.
1	9001594	Newton Stabilizer Bar - Folding, 12 in	1
2	9001595	Newton Stabilizer Bar - Folding, 13 in	1
3	9001596	Newton Stabilizer Bar - Folding, 14 in	1
4	9001597	Newton Stabilizer Bar - Folding, 15 in	1
5	9001598	Newton Stabilizer Bar - Folding, 16 in	1
6	9001599	Newton Stabilizer Bar - Folding, 17 in	1
7	9001600	Newton Stabilizer Bar - Folding, 18 in	1
8	9001601	Newton Stabilizer Bar - Folding, 19 in	1
9	9001602	Newton Stabilizer Bar - Folding, 20 in	1
10	9001603	Newton Stabilizer Bar - Folding, 21 in	1
11	9001604	Newton Stabilizer Bar - Folding, 22 in	1
12	9001003	Back Cane - Sleeve for Integrated Push Handle	1



MAKE SURE TO HAVE YOUR SERIAL NUMBER NEARBY WHEN ORDERING PARTS FOR YOUR MOTION COMPOSITES WHEELCHAIR

**9001594 9001604
Newton Stabilizer Bar - Folding**

ITEM NO.	PARTNO	DESCRIPTION	9001594 /QTY.	9001595 /QTY.	9001596 /QTY.	9001597 /QTY.	9001598 /QTY.	9001599 /QTY.	9001600 /QTY.	9001601 /QTY.	9001602 /QTY.	9001603 /QTY.	9001604 /QTY.
1	60704	NEWTON FOLDING STABILIZER BAR 12 in - ASSEMBLY	1	-	-	-	-	-	-	-	-	-	-
2	60705	NEWTON FOLDING STABILIZER BAR 13 in - ASSEMBLY	-	1	-	-	-	-	-	-	-	-	-
3	60706	NEWTON FOLDING STABILIZER BAR 14 in - ASSEMBLY	-	-	1	-	-	-	-	-	-	-	-
4	60707	NEWTON FOLDING STABILIZER BAR 15 in - ASSEMBLY	-	-	-	1	-	-	-	-	-	-	-
5	60708	NEWTON FOLDING STABILIZER BAR 16 in - ASSEMBLY	-	-	-	-	1	-	-	-	-	-	-
6	60709	NEWTON FOLDING STABILIZER BAR 17 in - ASSEMBLY	-	-	-	-	-	1	-	-	-	-	-
7	60710	NEWTON FOLDING STABILIZER BAR 18 in - ASSEMBLY	-	-	-	-	-	-	1	-	-	-	-
8	60711	NEWTON FOLDING STABILIZER BAR 19 in - ASSEMBLY	-	-	-	-	-	-	-	1	-	-	-
9	60712	NEWTON FOLDING STABILIZER BAR 20 in - ASSEMBLY	-	-	-	-	-	-	-	-	1	-	-
10	60713	NEWTON FOLDING STABILIZER BAR 21 in - ASSEMBLY	-	-	-	-	-	-	-	-	-	1	-
11	60714	NEWTON FOLDING STABILIZER BAR 22 in - ASSEMBLY	-	-	-	-	-	-	-	-	-	-	1



MAKE SURE TO HAVE YOUR SERIAL NUMBER
NEARBY WHEN ORDERING PARTS FOR YOUR
MOTION COMPOSITES WHEELCHAIR

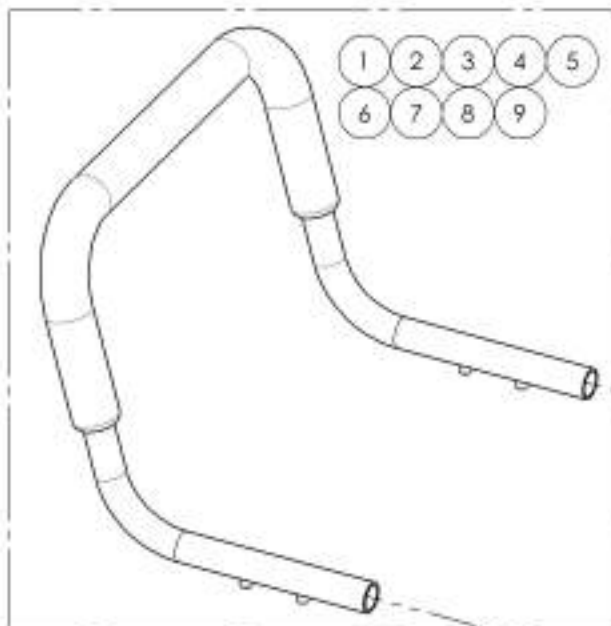
Important WARNING when using the Stroller Handle



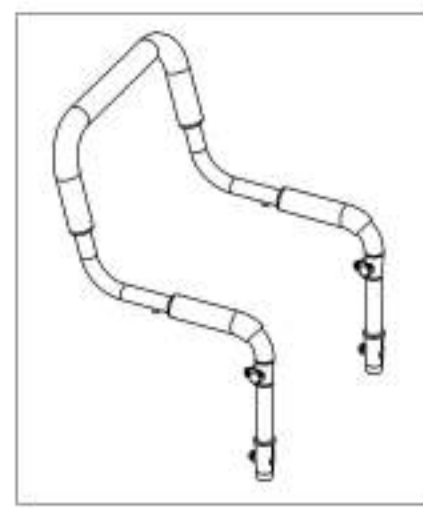
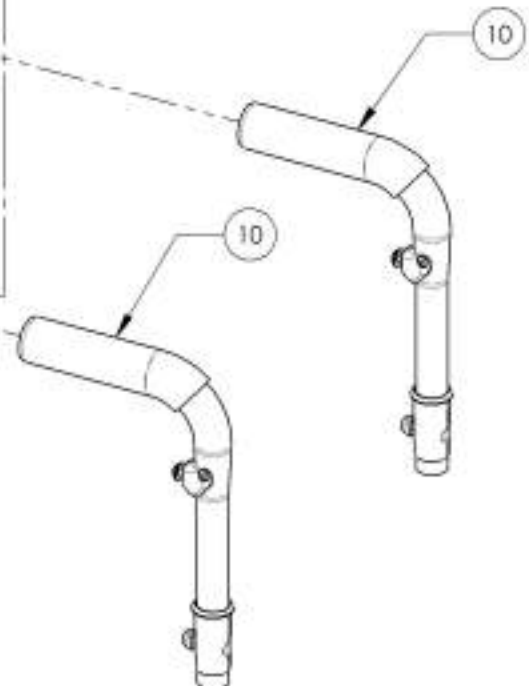
The Stroller Handle is not designed to lift or pull the weight of user in the wheelchair. It's designed to push and guide the wheelchair user.

Lifting or pulling the weight of the user in the wheelchair could initiate the breakage of the push handles and cause serious injury.
(PLEASE REFER TO USER MANUAL)

ITEM NO.	PARTNO	DESCRIPTION	QTY.
1	9001605	Stroller Handle - 12 in	1
2	9001606	Stroller Handle - 13 in	1
3	9001607	Stroller Handle - 14 in	1
4	9001608	Stroller Handle - 15 in	1
5	9001609	Stroller Handle - 16 in	1
6	9001610	Stroller Handle - 17 in	1
7	9001611	Stroller Handle - 18 in	1
8	9001612	Stroller Handle - 19 in	1
9	9001613	Stroller Handle - 20 in	1
10	9002915	HD Push Handle - Adjustable	2
11	9001003	Back Cane - Sleeve for Integrated Push Handle	1



USE SLEEVE #9001003 IF THE STROLLER HANDLE (#9001605 TO #9001613) WILL BE INSTALLED WITH ALUMINUM STRAIGHT BACK CANES WITH INTEGRATED PUSH HANDLE (#9003298 OR #9003299)



MAKE SURE TO HAVE YOUR SERIAL NUMBER NEARBY WHEN ORDERING PARTS FOR YOUR MOTION COMPOSITES WHEELCHAIR

**9001605_9001613
Stroller Handles**

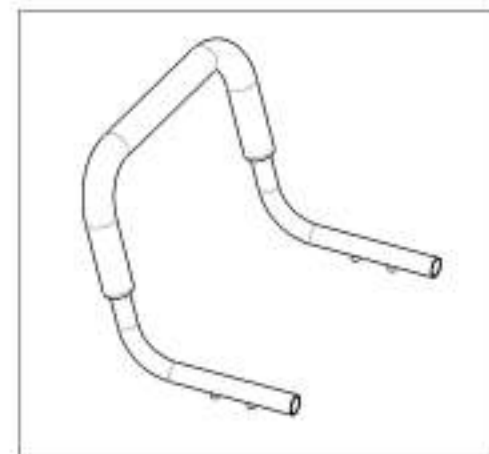
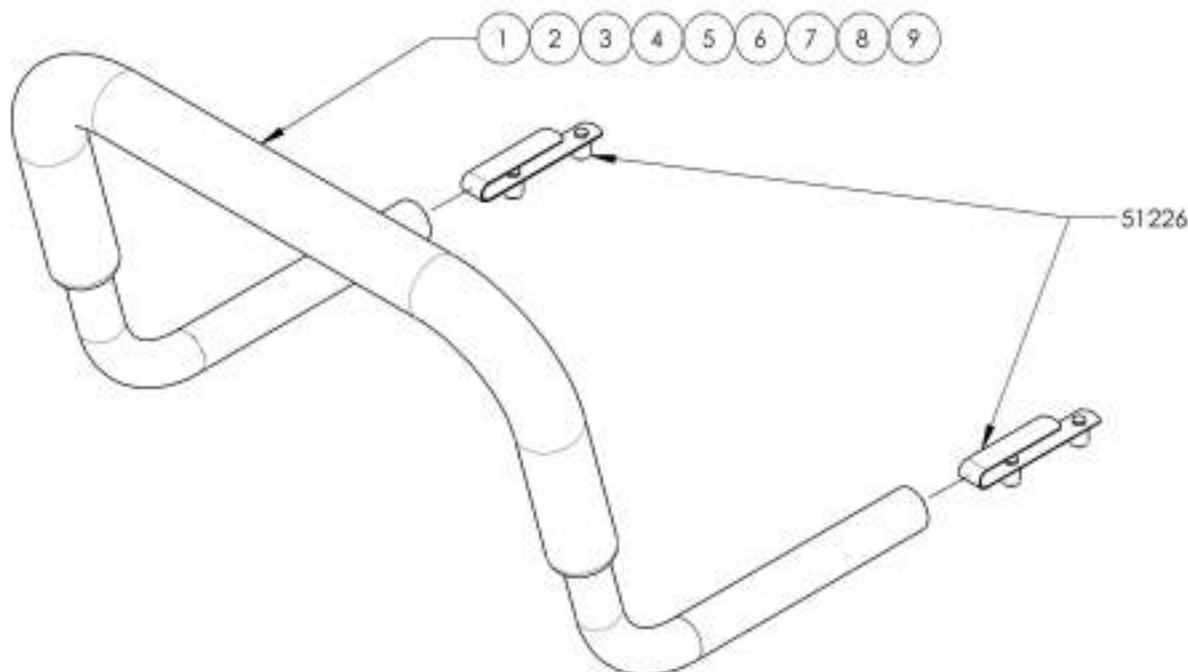
ITEM NO.	PART NO.	DESCRIPTION	9001605 /QTY.	9001606 /QTY.	9001607 /QTY.	9001608 /QTY.	9001609 /QTY.	9001610 /QTY.	9001611 /QTY.	9001612 /QTY.	9001613 /QTY.
1	51525	12in STROLLER HANDLE - ASSEMBLY	1	-	-	-	-	-	-	-	-
2	51526	13in STROLLER HANDLE - ASSEMBLY	-	1	-	-	-	-	-	-	-
3	51527	14in STROLLER HANDLE - ASSEMBLY	-	-	1	-	-	-	-	-	-
4	51528	15in STROLLER HANDLE - ASSEMBLY	-	-	-	1	-	-	-	-	-
5	51529	16in STROLLER HANDLE - ASSEMBLY	-	-	-	-	1	-	-	-	-
6	51530	17in STROLLER HANDLE - ASSEMBLY	-	-	-	-	-	1	-	-	-
7	51531	18in STROLLER HANDLE - ASSEMBLY	-	-	-	-	-	-	1	-	-
8	51532	19in STROLLER HANDLE - ASSEMBLY	-	-	-	-	-	-	-	1	-
9	51533	20in STROLLER HANDLE - ASSEMBLY	-	-	-	-	-	-	-	-	1

Important WARNING when using the Stroller Handle



The Stroller Handle is not designed to lift or pull the weight of user in the wheelchair. It's designed to push and guide the wheelchair user.

Lifting or pulling the weight of the user in the wheelchair could initiate the breakage of the push handles and cause serious injury.
(PLEASE REFER TO USER MANUAL)

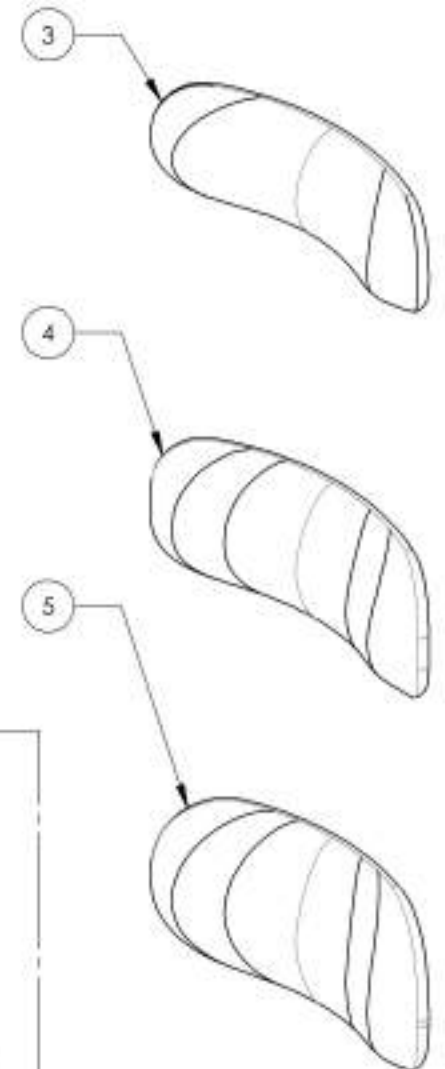
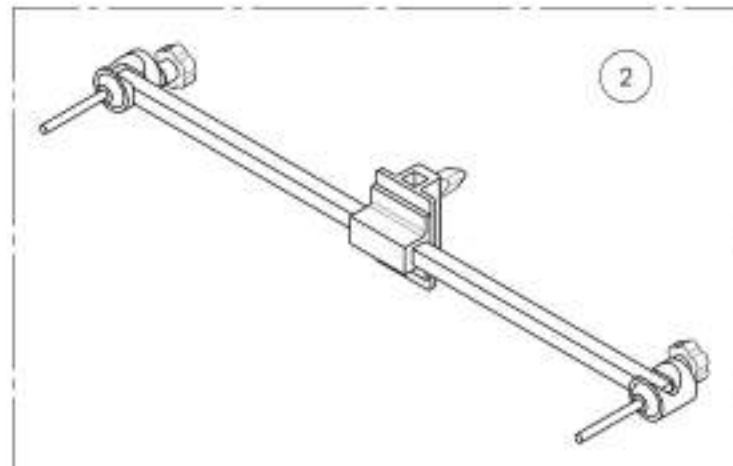
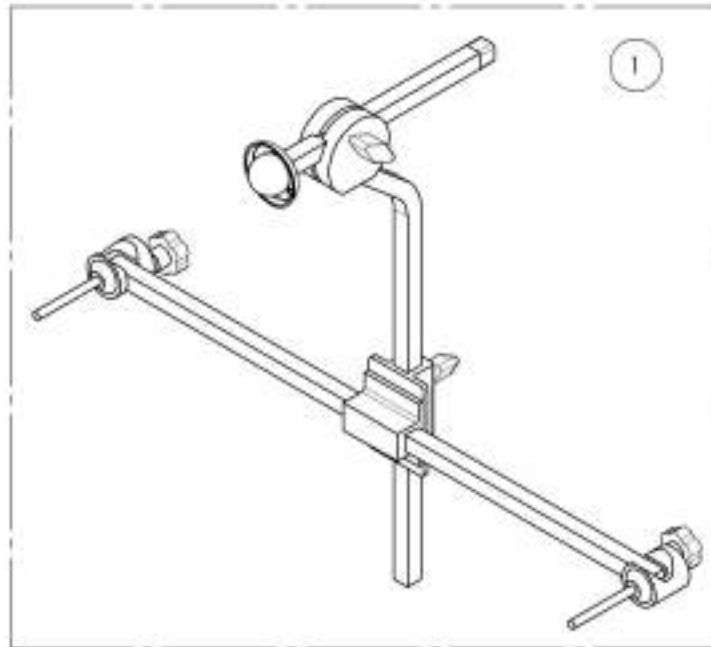


MAKE SURE TO HAVE YOUR SERIAL NUMBER NEARBY WHEN ORDERING PARTS FOR YOUR MOTION COMPOSITES WHEELCHAIR

**Backrest Catalogue
Head Rests**

***HD Push Handles or Integrated Push Handles are required to install Stabilizer Bar (#9001592 & #9001593)
Please refer to Push Handles for Head Rests Catalogue.**

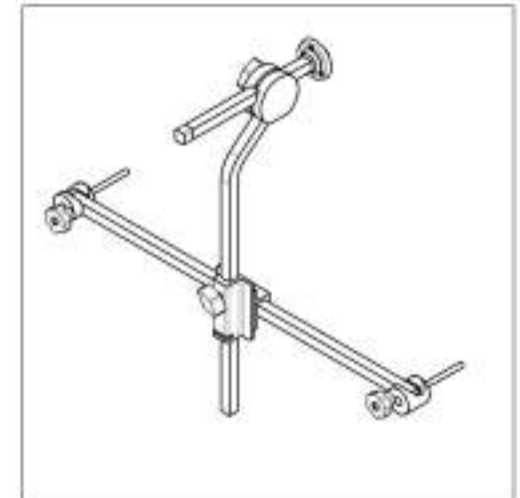
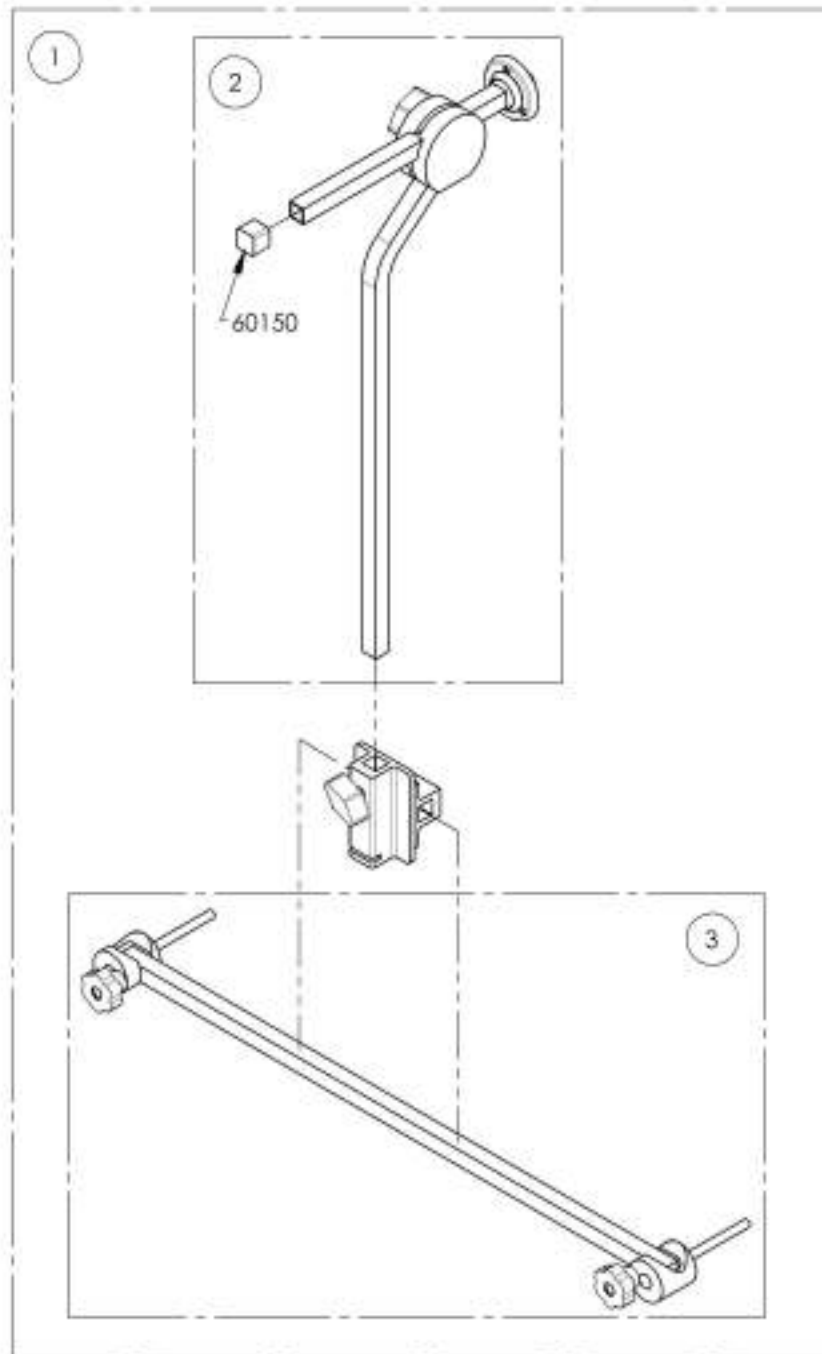
ITEM NO.	PARTNO	DESCRIPTION	QTY.
1	9001592	Stabilizer Bar - Non-Folding, With Anchor Plate & Swivel Mount Kit	1
2	9001593	Stabilizer Bar - Non-Folding, With Anchor Plate Kit	1
3	9001589	Head Rest Pad - Small	1
4	9001590	Head Rest Pad - Medium	1
5	9001591	Head Rest Pad - Large	1



MAKE SURE TO HAVE YOUR SERIAL NUMBER NEARBY WHEN ORDERING PARTS FOR YOUR MOTION COMPOSITES WHEELCHAIR

9001592
Stabilizer Bar - Non-Folding, With Anchor Plate & Swivel Mount Kit

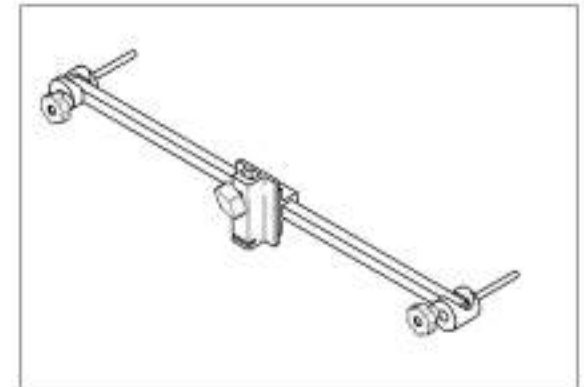
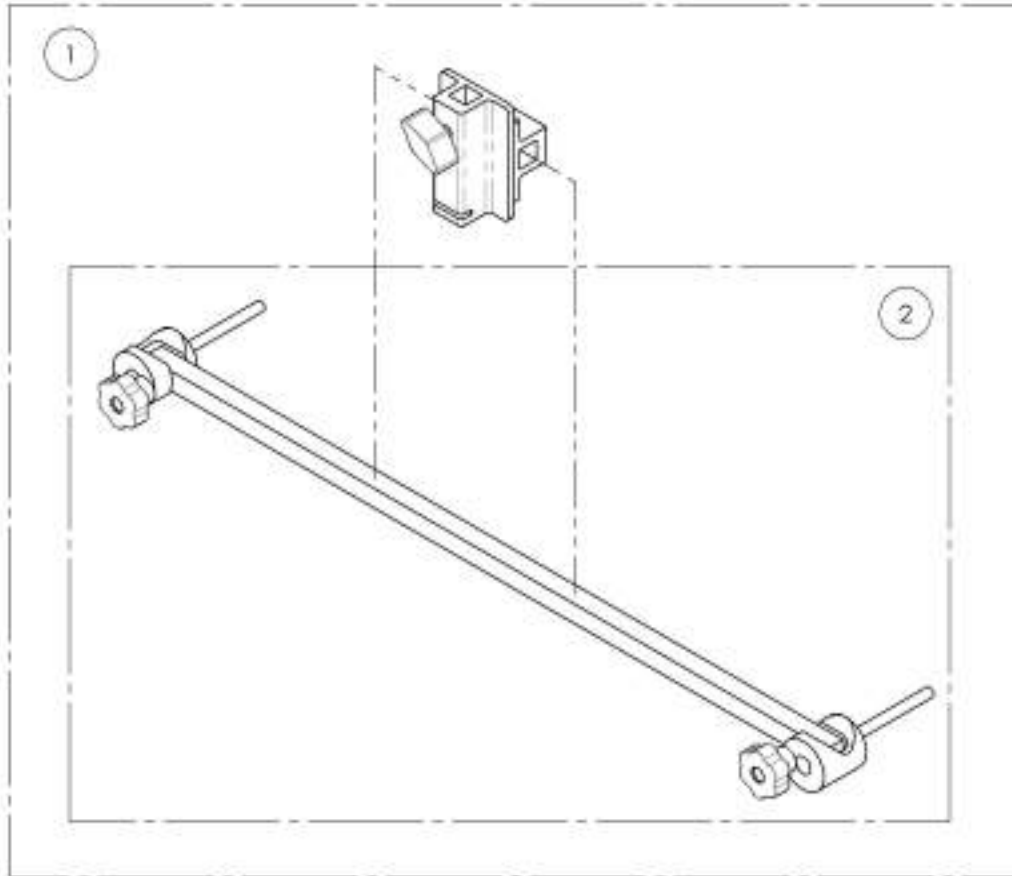
ITEM NO.	PARTNO	DESCRIPTION	9001592 /QTY.	REPLACEMENT PARTS/QTY.
1	60701	SWIVEL MOUNT/ANCHOR/STABILIZER BAR KIT	1	-
2	60106	SWIVEL MOUNT	-	1
3	60703	STABILIZER BAR	-	1



MAKE SURE TO HAVE YOUR SERIAL NUMBER
 NEARBY WHEN ORDERING PARTS FOR YOUR
 MOTION COMPOSITES WHEELCHAIR

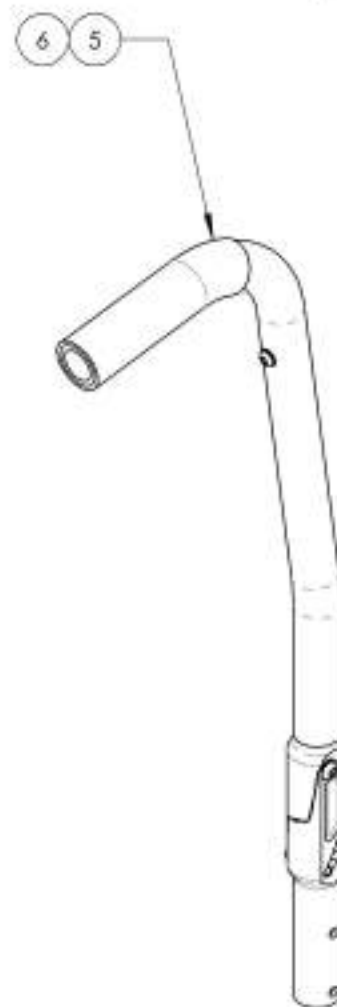
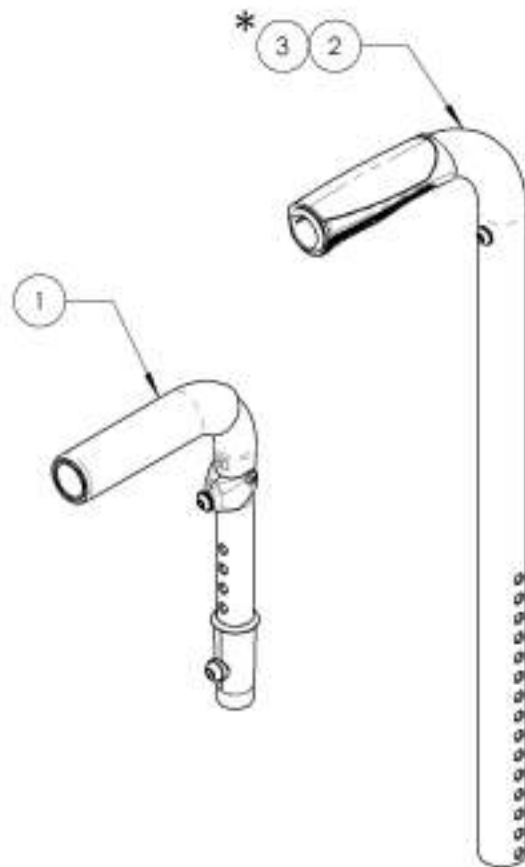
9001593
Stabilizer Bar - Non-Folding, With Anchor Plate Kit

ITEM NO.	PARTNO	DESCRIPTION	9001593 /QTY.	REPLACEMENT PARTS/QTY.
1	60702	STABILIZER BAR + ANCHOR PLATE KIT	1	-
2	60703	STABILIZER BAR	-	1



MAKE SURE TO HAVE YOUR SERIAL NUMBER
NEARBY WHEN ORDERING PARTS FOR YOUR
MOTION COMPOSITES WHEELCHAIR

Backrest Catalogue
Push Handles for Head Rests



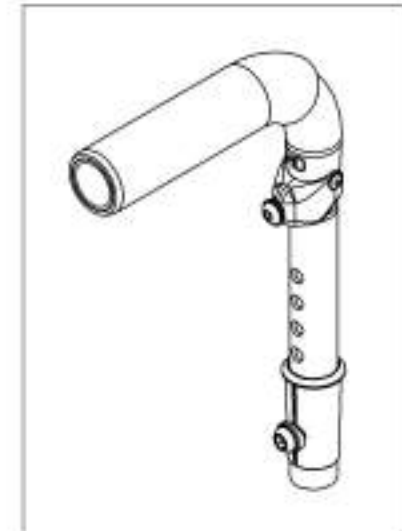
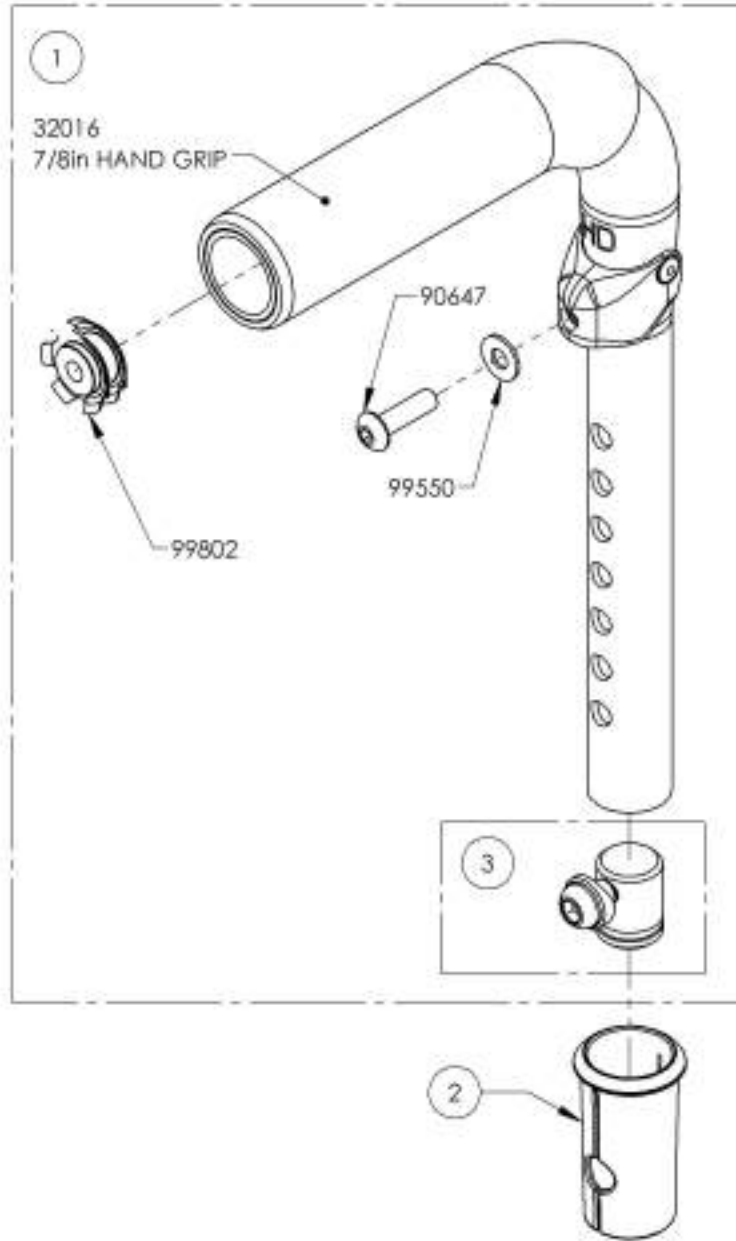
ITEM NO.	PARTNO	DESCRIPTION	QTY
1	900756E	HD Push Handle - Adjustable with Tube Connector	1
2	9007610*	Back Cone - Alu, Straight + Fixed Push Handle, 9-15 in with Tube Connect	1
3	9007611*	Back Cone - Alu, Straight + Fixed Push Handle, 15-21 in with Tube Connect	1
4	9007612*	Back Cone - Alu, 8° bend + fixed Push Handle, 16, 18 or 20 in with Tube Connect	1
5	9007613	Back Cone - Alu, Angle Adj, 8° bend + Fixed Push Handle, 16 in with Tube Connect	1
6	9007614	Back Cone - Alu, Angle Adj, 8° bend + Fixed Push Handle, 20 in with Tube Connect	1

* NOT AVAILABLE ON VELOCE WHEELCHAIRS

MAKE SURE TO HAVE YOUR SERIAL NUMBER
 NEARBY WHEN ORDERING PARTS FOR YOUR
 MOTION COMPOSITES WHEELCHAIR

9007565
HD Push Handle - Adjustable with Tube Connector

ITEM NO.	PARTNO	DESCRIPTION	9007565 /QTY.	REPLACEMENT PARTS/QTY.
1	32541	HD PUSH HANDLE + TUBE CONNECT 7/8" ASSY	1	-
2	32017	PUSH HANDLE BACK SLEEVE	1	-
3	32514	DOWEL NUT PUSH HANDLE - ASSEMBLY (M)	-	1

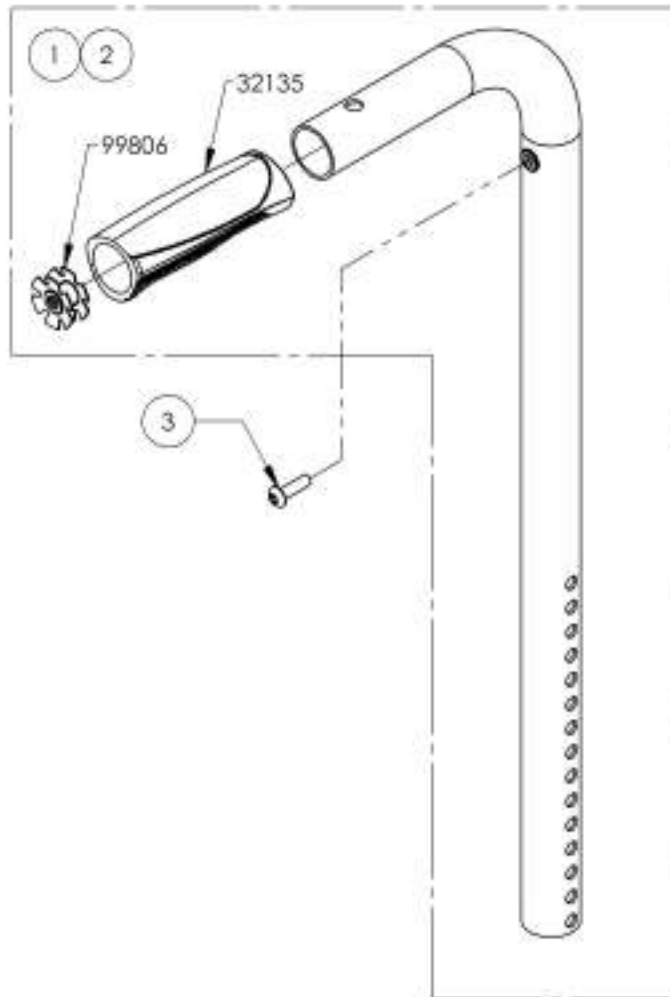


MAKE SURE TO HAVE YOUR SERIAL NUMBER
 NEARBY WHEN ORDERING PARTS FOR YOUR
 MOTION COMPOSITES WHEELCHAIR

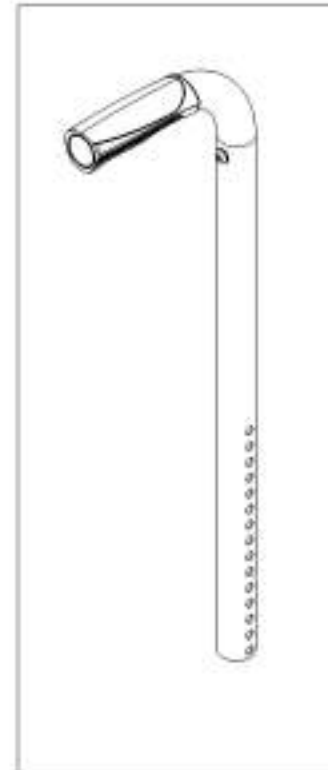
9007610_9007611

Back Cane - Alu, Straight + Fixed Push Handle, with Tube Connect

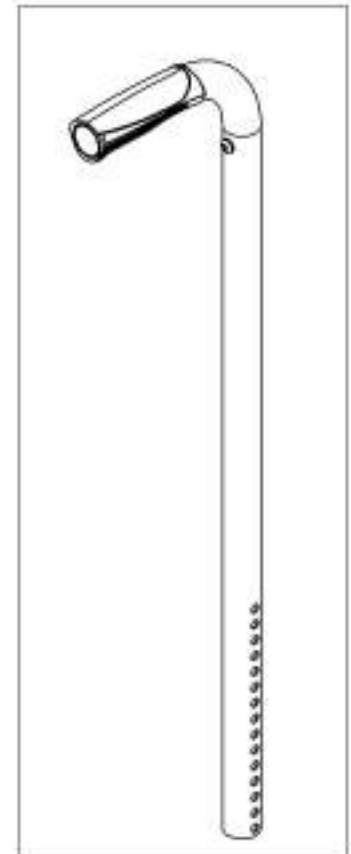
ITEM NO.	PARTNO	DESCRIPTION	9007610 /QTY.	9007611 /QTY.
1	32546	ALU STRAIGHT BACK CANE 9-15in IPH + TUBE CONNECT - ASSY	1	-
2	32547	ALU STRAIGHT BACK CANE 15-21in IPH + TUBE CONNECT - ASSY	-	1
3	90647	BUTTON HEAD CAP SCREW M5X0.8 X 18mm LONG, FULLY THREADED + BLUE THREADLOCKER - BLACK BNC	1	1



9007610
Back Cane - Alu, Straight + Fixed
Push Handle, 9-15 in with Tube
Connect



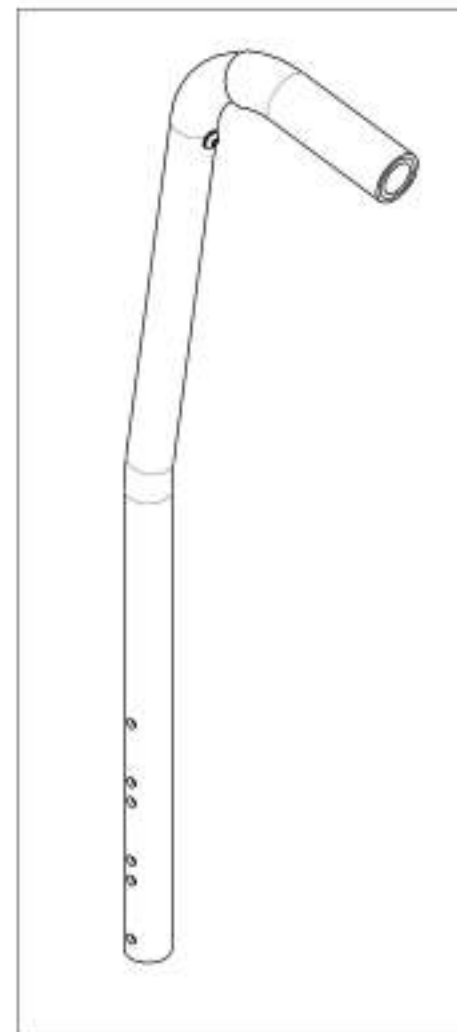
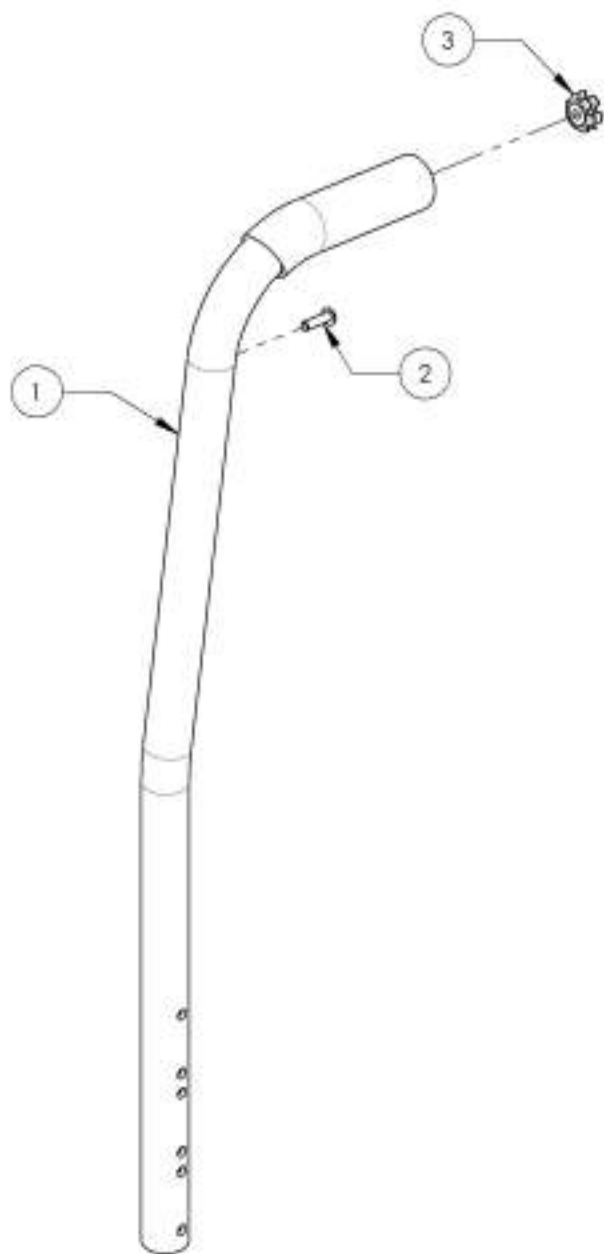
9007611
Back Cane - Alu, Straight + Fixed
Push Handle, 15-21 in with Tube
Connect



MAKE SURE TO HAVE YOUR SERIAL NUMBER
NEARBY WHEN ORDERING PARTS FOR YOUR
MOTION COMPOSITES WHEELCHAIR

9007612
Back Cane - Alu, 8° bend + Fixed Push Handle, 16, 18 or 20 in with Tube Connect

ITEM NO.	PARTNO	DESCRIPTION	9007612 /QTY.
1	32500	ALU 8 DEG BACK CANE 16, 18 OR 20 in WITH FIXED PUSH HANDLE - ASSEMBLY (M)	1
2	90647	BUTTON HEAD CAP SCREW M5X0.8 X 18mm LONG, FULLY THREADED + BLUE THREADLOCKER - BLACK ZINC	1
3	99802	TUBE CONNECT I_4-20 FOR 0.75 - 0.775in ID	1

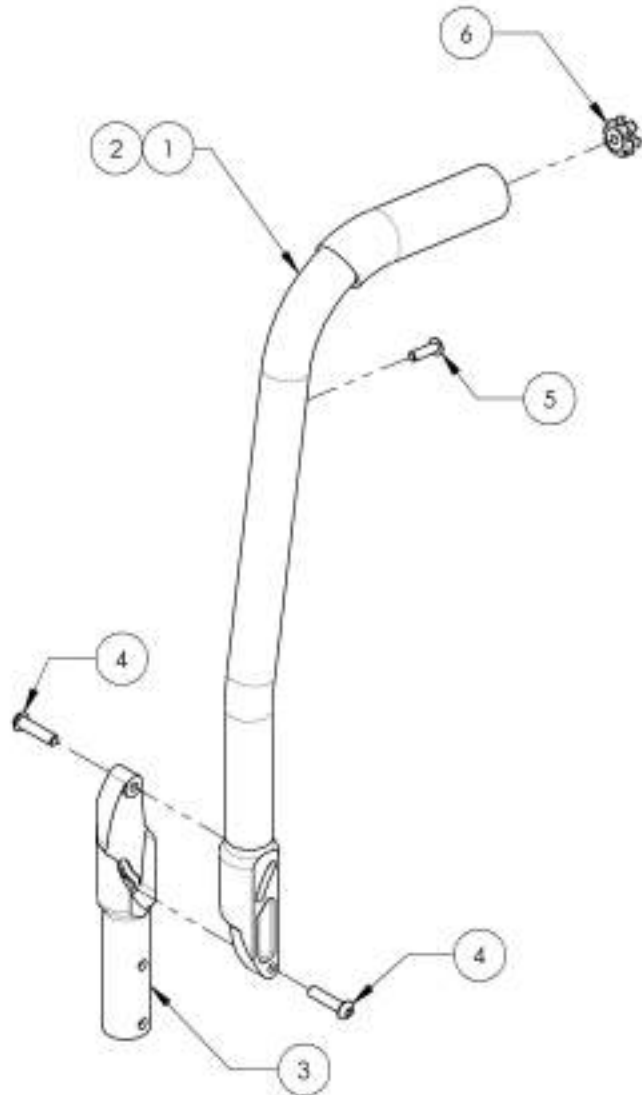


MAKE SURE TO HAVE YOUR SERIAL NUMBER
NEARBY WHEN ORDERING PARTS FOR YOUR
MOTION COMPOSITES WHEELCHAIR

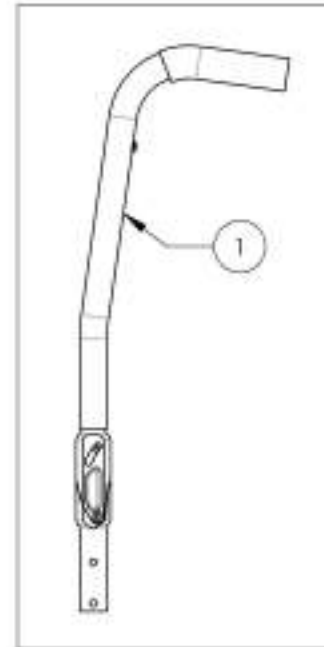
9007613_9007614

Back Cane - Alu, Angle Adj, 8° bend + Fixed Push Handle, with Tube Connect

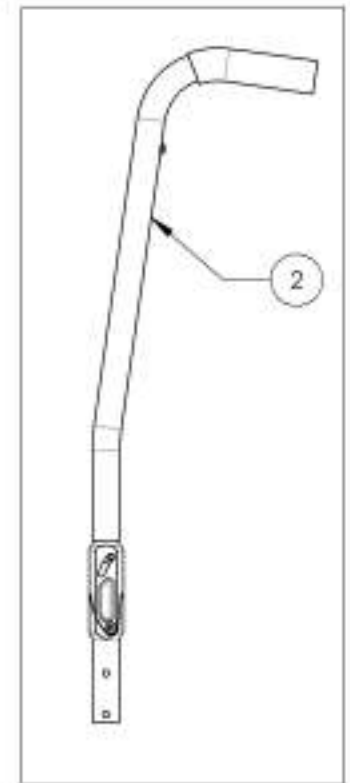
ITEM NO.	PARTNO	DESCRIPTION	9007613 /QTY.	9007614 /QTY.
1	32501	ALUMINIUM ADJUSTABLE ANGLE BACK 15° W_ FIXED PUSH HANDLE - ASSEMBLY (M)	1	-
2	32502	ALUMINIUM ADJUSTABLE ANGLE BACK 20° W_ FIXED PUSH HANDLE - ASSEMBLY (M)	-	1
3	32037	LOWER ADJUSTABLE BACKREST (M)	1	1
4	90663	BUTTON HEAD CAP SCREW M6X1 X 25mm LONG, FULLY THREADED	2	2
5	90647	BUTTON HEAD CAP SCREW M5X0.8 X 18mm LONG, FULLY THREADED + BLUE THREADLOCKER - BLACK ZINC	1	1
6	99802	TUBE CONNECT I_4-20 FOR Ø.75 - Ø.775in ID	1	1



9007613
Back Cane - Alu, Angle Adj,
8° bend + Fixed Push Handle,
16 in with Tube Connect



9007614
Back Cane - Alu, Angle Adj,
8° bend + Fixed Push Handle,
20 in with Tube Connect



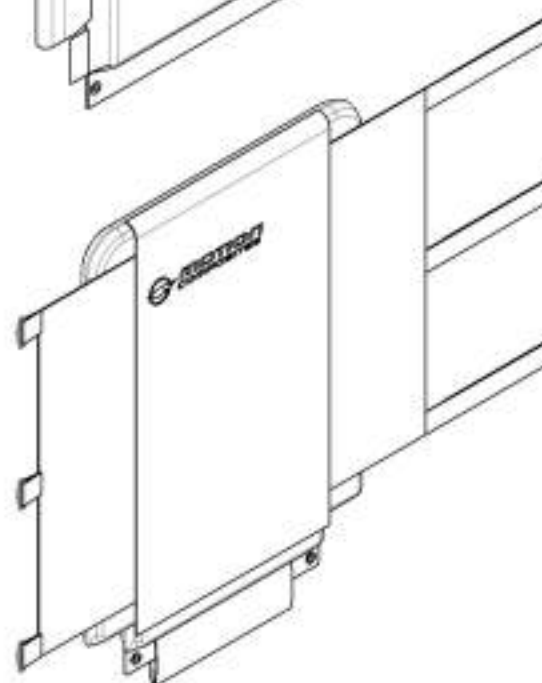
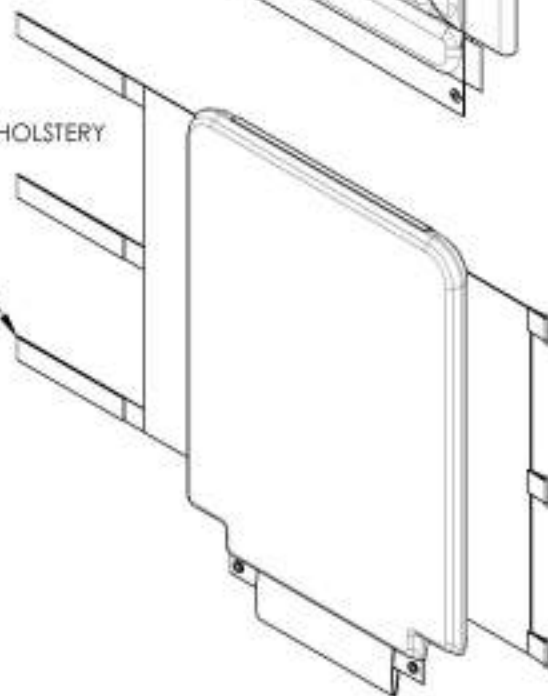
MAKE SURE TO HAVE YOUR SERIAL NUMBER
NEARBY WHEN ORDERING PARTS FOR YOUR
MOTION COMPOSITES WHEELCHAIR

Upholstery & Seating Catalogue
Back Upholstery - Slip On & Tension Back

SLIP ON BACK UPHOLSTERY
REFER TO ITEM
#9001809_9001863
FOR LENGTH & WIDTH

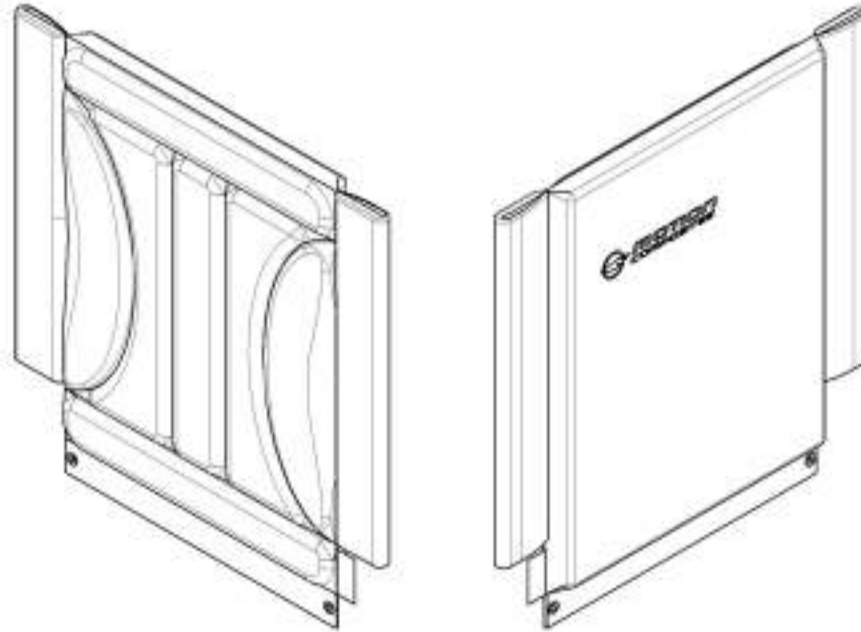


ADJUSTABLE TENSION BACK UPHOLSTERY
REFER TO ITEM
#9001754_9001808
FOR LENGTH & WIDTH



MAKE SURE TO HAVE YOUR SERIAL NUMBER
NEARBY WHEN ORDERING PARTS FOR YOUR
MOTION COMPOSITES WHEELCHAIR

9001809_9001863
Back Upholstery - Slip On (Specify Size)



SLIP ON BACK UPHOLSTERY		LENGTH in inches (cm)				
		9-12 (22.9-30.5)	12-15 (30.5-38.1)	15-18 (38.1-45.7)	18-21 (45.7-53.3)	21-24 (53.3-60.9)
WIDTH in inches (cm)	12 (30.5)	9001809	9001810	9001811	9001812	9001813
	13 (33.0)	9001814	9001815	9001816	9001817	9001818
	14 (35.6)	9001819	9001820	9001821	9001822	9001823
	15 (38.1)	9001824	9001825	9001826	9001827	9001828
	16 (40.6)	9001829	9001830	9001831	9001832	9001833
	17 (43.2)	9001834	9001835	9001836	9001837	9001838
	18 (45.7)	9001839	9001840	9001841	9001842	9001843
	19 (48.3)	9001844	9001845	9001846	9001847	9001848
	20 (50.8)	9001849	9001850	9001851	9001852	9001853
	21 (53.3)	9001854	9001855	9001856	9001857	9001858
	22 (55.9)	9001859	9001860	9001861	9001862	9001863

MAKE SURE TO HAVE YOUR SERIAL NUMBER
 NEARBY WHEN ORDERING PARTS FOR YOUR
 MOTION COMPOSITES WHEELCHAIR

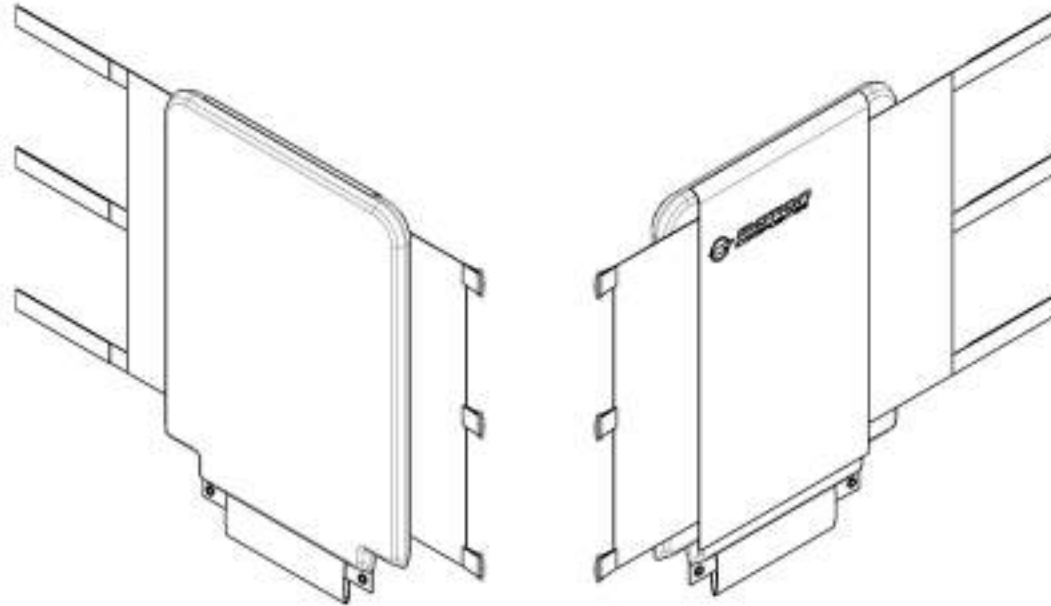
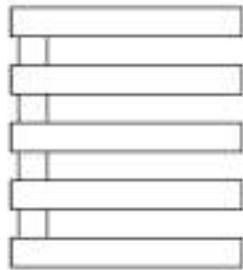
9001754_9001808

Back Upholstery - Adjustable Tension (Specify Size)

**ADJUSTABLE TENSION
BACK STRAPS**

FOR 9-12', 12-15" & 15-18"
USE #60092

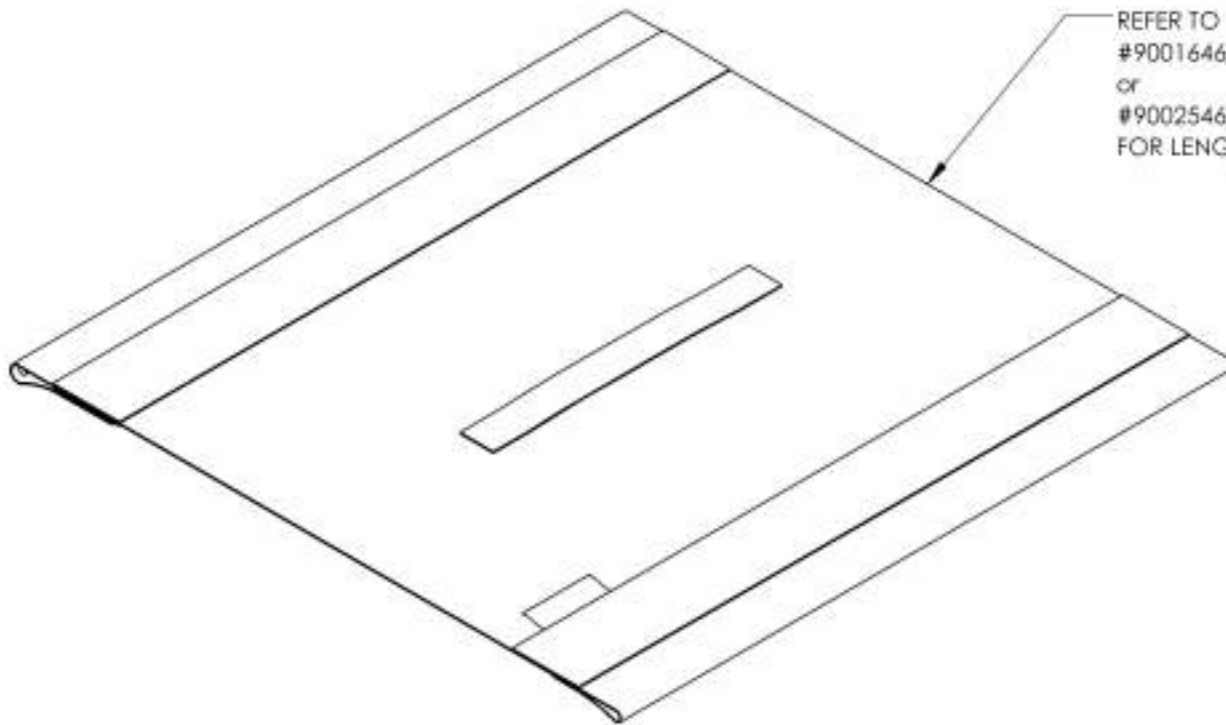
FOR 18-21" & 21-24"
USE #60093



ADJUSTABLE TENSION BACK UPHOLSTERY		LENGTH in inches (cm)				
		9-12 (22.9-30.5)	12-15 (30.5-38.1)	15-18 (38.1-45.7)	18-21 (45.7-53.3)	21-24 (53.3-60.9)
WIDTH in inches (cm)	12 (30.5)	9001754	9001755	9001756	9001757	9001758
	13 (33.0)	9001759	9001760	9001761	9001762	9001763
	14 (35.6)	9001764	9001765	9001766	9001767	9001768
	15 (38.1)	9001769	9001770	9001771	9001772	9001773
	16 (40.6)	9001774	9001775	9001776	9001777	9001778
	17 (43.2)	9001779	9001780	9001781	9001782	9001783
	18 (45.7)	9001784	9001785	9001786	9001787	9001788
	19 (48.3)	9001789	9001790	9001791	9001792	9001793
	20 (50.8)	9001794	9001795	9001796	9001797	9001798
	21 (53.3)	9001799	9001800	9001801	9001802	9001803
	22 (55.9)	9001804	9001805	9001806	9001807	9001808

MAKE SURE TO HAVE YOUR SERIAL NUMBER
NEARBY WHEN ORDERING PARTS FOR YOUR
MOTION COMPOSITES WHEELCHAIR

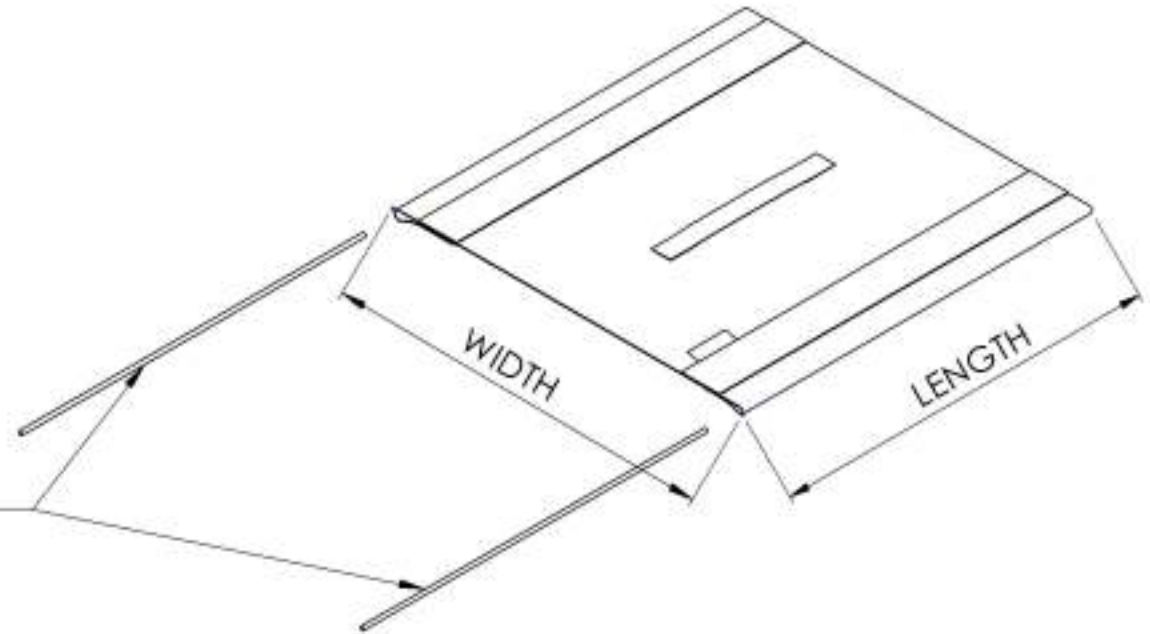
Upholstery & Seating Catalogue
Sliding Seat Slings Type 2



REFER TO ITEM
#9001646_9001744 (with Hook)
or
#9002546_9002644 (with Loop)
FOR LENGTH & WIDTH

MAKE SURE TO HAVE YOUR SERIAL NUMBER
NEARBY WHEN ORDERING PARTS FOR YOUR
MOTION COMPOSITES WHEELCHAIR

9001646 9001744
Sliding Seat Slings Type 2 with Hook (Specify Size)

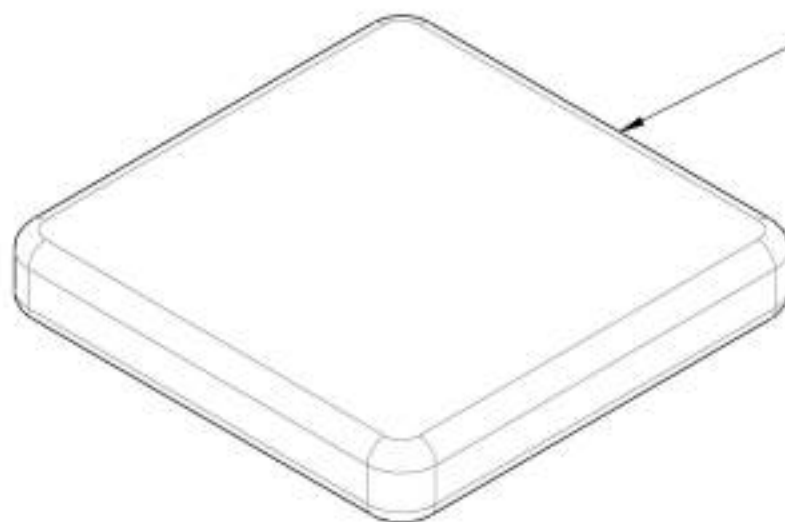


REPLACEMENT PARTS	
1x 12"Slotted Tube Guide	12173
1x 13"Slotted Tube Guide	12174
1x 14"Slotted Tube Guide	12175
1x 15"Slotted Tube Guide	12176
1x 16"Slotted Tube Guide	12177
1x 17"Slotted Tube Guide	12178
1x 18"Slotted Tube Guide	12179
1x 19"Slotted Tube Guide	12180
1x 20"Slotted Tube Guide	12181

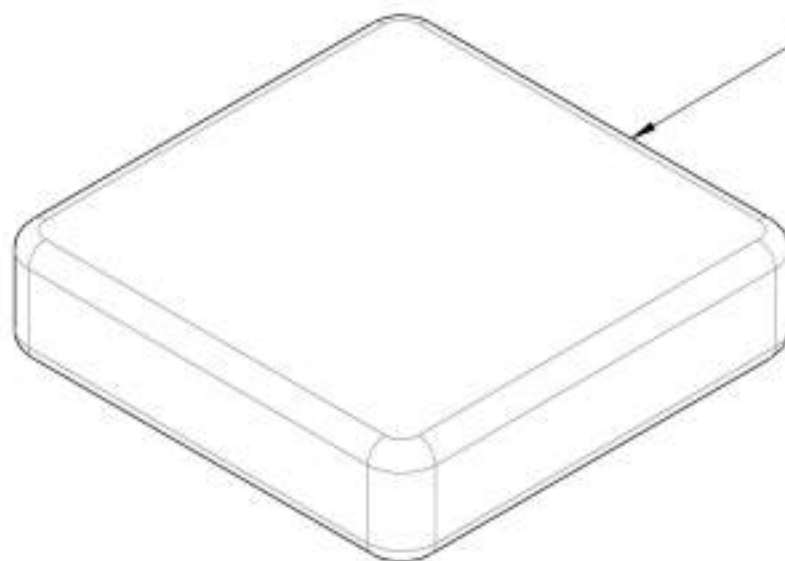
(2X slotted tube guide included)		LENGTH in inches (cm)								
		12 (30.5)	13 (33.0)	14 (35.6)	15 (38.1)	16 (40.6)	17 (43.2)	18 (45.7)	19 (48.3)	20 (50.8)
WIDTH in inches (cm)	12 (30.5)	9001646	9001647	9001648	9001649	9001650	9001651	9001652	9001653	9001654
	13 (33.0)	9001655	9001656	9001657	9001658	9001659	9001660	9001661	9001662	9001663
	14 (35.6)	9001664	9001665	9001666	9001667	9001668	9001669	9001670	9001671	9001672
	15 (38.1)	9001673	9001674	9001675	9001676	9001677	9001678	9001679	9001680	9001681
	16 (40.6)	9001682	9001683	9001684	9001685	9001686	9001687	9001688	9001689	9001690
	17 (43.2)	9001691	9001692	9001693	9001694	9001695	9001696	9001697	9001698	9001699
	18 (45.7)	9001700	9001701	9001702	9001703	9001704	9001705	9001706	9001707	9001708
	19 (48.3)	9001709	9001710	9001711	9001712	9001713	9001714	9001715	9001716	9001717
	20 (50.8)	9001718	9001719	9001720	9001721	9001722	9001723	9001724	9001725	9001726
	21 (53.3)	9001727	9001728	9001729	9001730	9001731	9001732	9001733	9001734	9001735
22 (55.9)	9001736	9001737	9001738	9001739	9001740	9001741	9001742	9001743	9001744	

MAKE SURE TO HAVE YOUR SERIAL NUMBER
 NEARBY WHEN ORDERING PARTS FOR YOUR
 MOTION COMPOSITES WHEELCHAIR

**Upholstery & Seating Catalogue
Cushions**



2 in CUSHIONS
REFER TO ITEM
#9001934_9002032 (with Loop)
or
#9002645_9002743 (with Hook)
for LENGTH & WIDTH

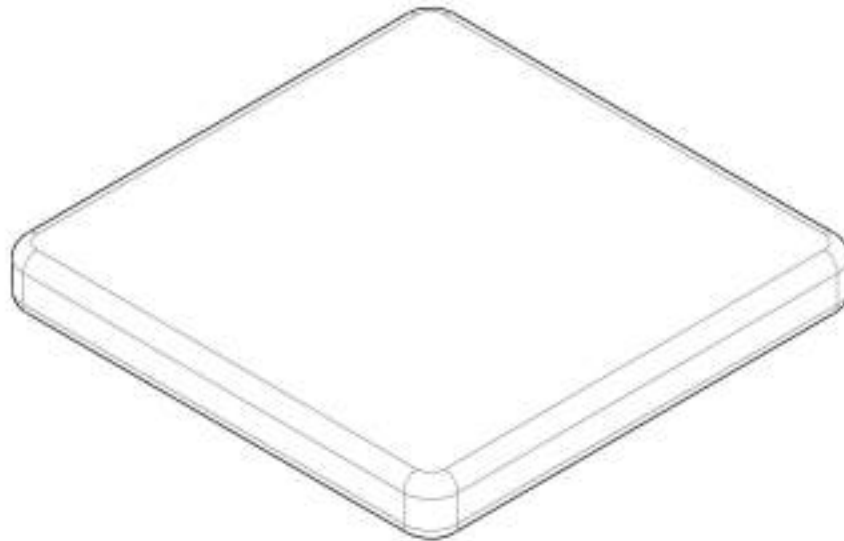


3 in CUSHIONS
REFER TO ITEM
#9002033_9002131 (with Loop)
or
#9002744_9002842 (with Hook)
for LENGTH & WIDTH

MAKE SURE TO HAVE YOUR SERIAL NUMBER
NEARBY WHEN ORDERING PARTS FOR YOUR
MOTION COMPOSITES WHEELCHAIR

9001934 9002032

Cushion 2 in with Velcro Loop (Specify Size)



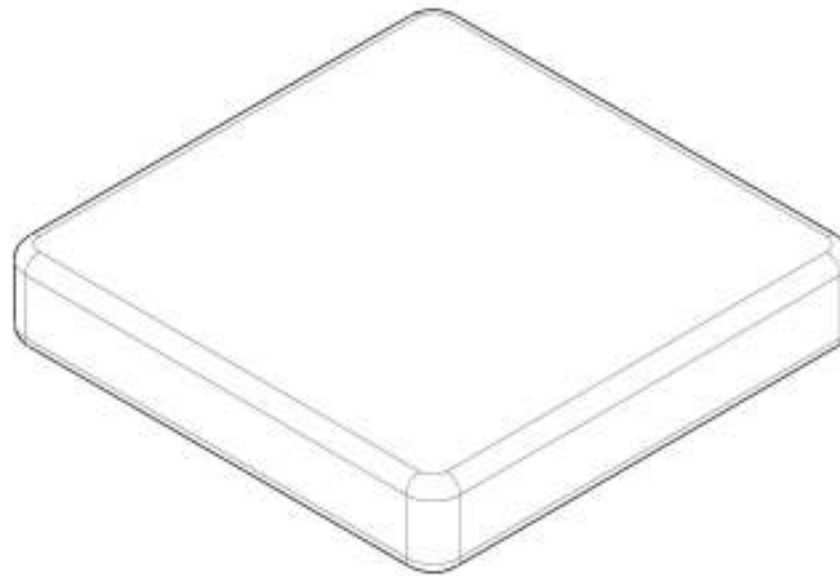
2 in CUSHIONS PART NUMBERS FOR THE APPROPRIATE LENGTH AND WIDTH

		LENGTH in inches (cm)								
		12 (30.5)	13 (33.0)	14 (35.6)	15 (38.1)	16 (40.6)	17 (43.2)	18 (45.7)	19 (48.3)	20 (50.8)
WIDTH in inches (cm)	12 (30.5)	9001934	9001935	9001936	9001937	9001938	9001939	9001940	9001941	9001942
	13 (33.0)	9001943	9001944	9001945	9001946	9001947	9001948	9001949	9001950	9001951
	14 (35.6)	9001952	9001953	9001954	9001955	9001956	9001957	9001958	9001959	9001960
	15 (38.1)	9001961	9001962	9001963	9001964	9001965	9001966	9001967	9001968	9001969
	16 (40.6)	9001970	9001971	9001972	9001973	9001974	9001975	9001976	9001977	9001978
	17 (43.2)	9001979	9001980	9001981	9001982	9001983	9001984	9001985	9001986	9001987
	18 (45.7)	9001988	9001989	9001990	9001991	9001992	9001993	9001994	9001995	9001996
	19 (48.3)	9001997	9001998	9001999	9002000	9002001	9002002	9002003	9002004	9002005
	20 (50.8)	9002006	9002007	9002008	9002009	9002010	9002011	9002012	9002013	9002014
	21 (53.3)	9002015	9002016	9002017	9002018	9002019	9002020	9002021	9002022	9002023
22 (55.9)	9002024	9002025	9002026	9002027	9002028	9002029	9002030	9002031	9002032	

MAKE SURE TO HAVE YOUR SERIAL NUMBER
NEARBY WHEN ORDERING PARTS FOR YOUR
MOTION COMPOSITES WHEELCHAIR

9002033 9002131

Cushion 3 in with Velcro Loop (Specify Size)

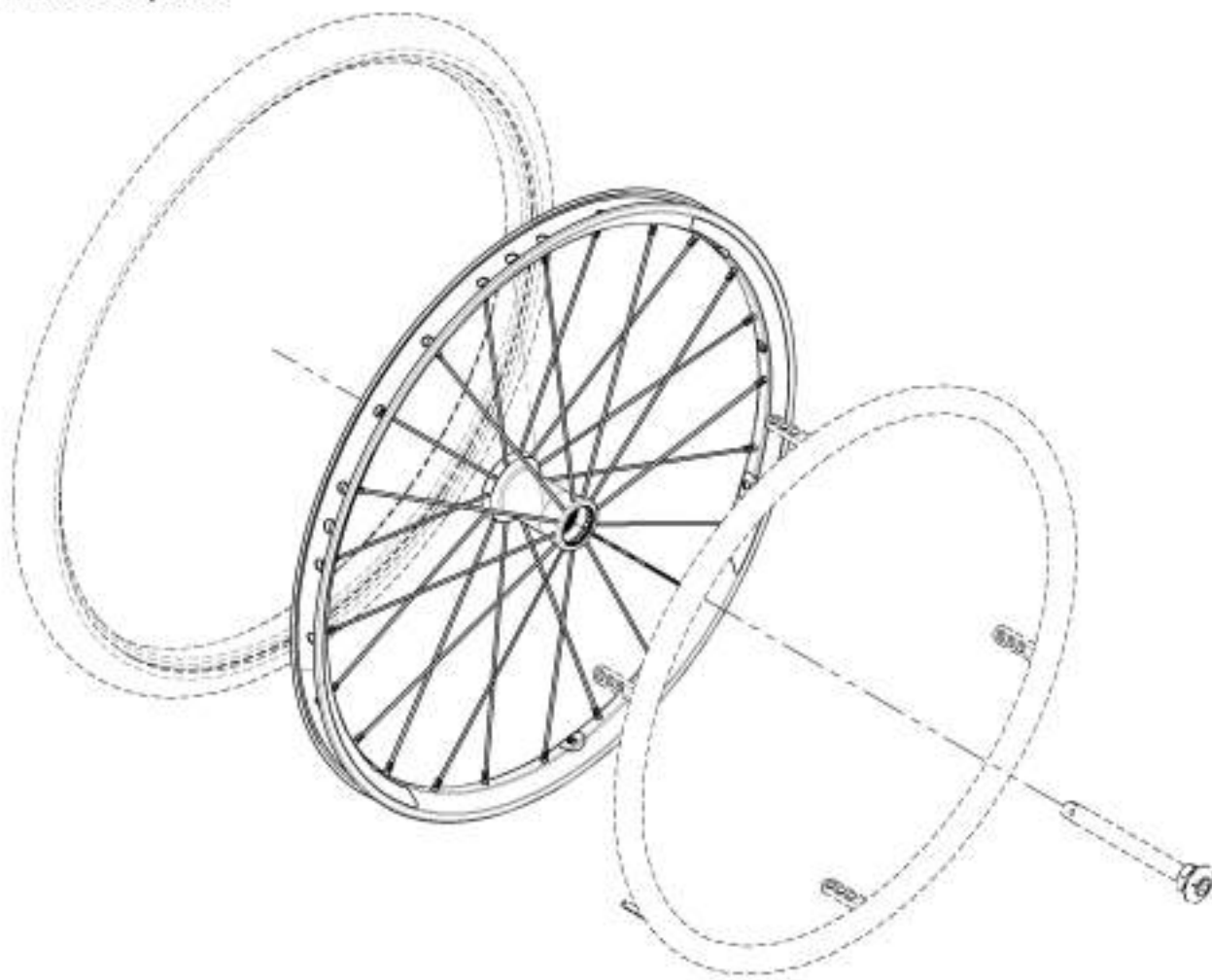


3 in CUSHIONS PART NUMBERS FOR THE APPROPRIATE LENGTH AND WIDTH

		LENGTH in inches (cm)								
		12 (30.5)	13 (33.0)	14 (35.6)	15 (38.1)	16 (40.6)	17 (43.2)	18 (45.7)	19 (48.3)	20 (50.8)
WIDTH in inches (cm)	12 (30.5)	9002033	9002034	9002035	9002036	9002037	9002038	9002039	9002040	9002041
	13 (33.0)	9002042	9002043	9002044	9002045	9002046	9002047	9002048	9002049	9002050
	14 (35.6)	9002051	9002052	9002053	9002054	9002055	9002056	9002057	9002058	9002059
	15 (38.1)	9002060	9002061	9002062	9002063	9002064	9002065	9002066	9002067	9002068
	16 (40.6)	9002069	9002070	9002071	9002072	9002073	9002074	9002075	9002076	9002077
	17 (43.2)	9002078	9002079	9002080	9002081	9002082	9002083	9002084	9002085	9002086
	18 (45.7)	9002087	9002088	9002089	9002090	9002091	9002092	9002093	9002094	9002095
	19 (48.3)	9002096	9002097	9002098	9002099	9002100	9002101	9002102	9002103	9002104
	20 (50.8)	9002105	9002106	9002107	9002108	9002109	9002110	9002111	9002112	9002113
	21 (53.3)	9002114	9002115	9002116	9002117	9002118	9002119	9002120	9002121	9002122
22 (55.9)	9002123	9002124	9002125	9002126	9002127	9002128	9002129	9002130	9002131	

MAKE SURE TO HAVE YOUR SERIAL NUMBER
NEARBY WHEN ORDERING PARTS FOR YOUR
MOTION COMPOSITES WHEELCHAIR

Rear Wheels Catalogue
Rear Wheels & Spokes

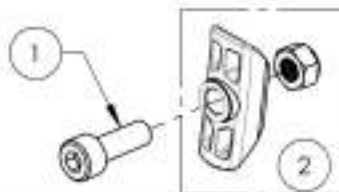


ITEM NO.	PARTNO	DESCRIPTION	QTY.
1	9001483	Rear Wheel - Mag, 20in	1
2	9001484	Rear Wheel - Mag, 22in	1
3	9001485	Rear Wheel - Mag, 24in	1
4	9001446	Rear Wheel - Newton One, 20in	1
5	9001486	Rear Wheel - Newton One, 22in	1
6	9001487	Rear Wheel - Newton One, 24in	1
7	9001488	Rear Wheel - Newton Gravity, 20in	1
8	9001489	Rear Wheel - Newton Gravity, 22in	1
9	9001490	Rear Wheel - Newton Gravity, 24in	1
10	9001491	Rear Wheel - Newton Gravity, 25in	1
11	9001492	Rear Wheel - Newton Gravity, 26in	1

**MAG WHEEL CAP
REPLACEMENT**
FOR 9001483, 9001484 & 9001485
Part#: 21108

**BEARING REPLACEMENT
FOR ALL REAR WHEELS**
Part#: 22011

HARDWARE INCLUDED WITH ALL NEWTON ONE WHEELS



ITEM NO.	PARTNO	DESCRIPTION	9001446 /QTY.	9001486 /QTY.	9001487 /QTY.
1	90746	SOCKET CAP SCREW M5X0.8 X 15mm LONG, FULLY THREADED + BLUE TREADLOCKER - BLACK ZINC	6	6	6
2	21500	REAR WHEEL LOCKNUT INSERT - ASSEMBLY	6	6	6

	WHEEL SPOKES				
	NEWTON ONE (24)	NEWTON ONE (36)	NEWTON GRAVITY (24)		
	EXT. & INT. SILVER	EXT. & INT. SILVER	EXT. WHITE (1)	EXT. BLACK (11)	INT. BLACK (12)
20"	21271 (1)		21157	21156 (1)	21155 (1)
22"		21153 (1)	21160	21159 (1)	21158 (1)
24"		21154 (1)	21163	21162 (1)	21161 (1)
25"	-	-	21166	21165 (1)	21164 (1)
26"	-	-	21169	21168 (1)	21167 (1)
NIPPLE	21181 (SILVER NIPPLE)		21180 (BLACK NIPPLE)		

MAKE SURE TO HAVE YOUR SERIAL NUMBER NEARBY WHEN ORDERING PARTS FOR YOUR MOTION COMPOSITES WHEELCHAIR

Rear Wheels Catalogue
Spinergy Rear Wheels

BEARING REPLACEMENT

FOR ALL REAR WHEELS

Part#: 22011



SPINERGY SPOX



SPINERGY LX

ITEM NO.	PARTNO	DESCRIPTION	QTY
1	9001494	Rear Wheel - Spinergy Spox, 22 in, Black	1
2	9001495	Rear Wheel - Spinergy Spox, 24 in, Black	1
3	9001496	Rear Wheel - Spinergy Spox, 25 in, Black	1
4	9001497	Rear Wheel - Spinergy Spox, 26 in, Black	1
5	9003413	Rear Wheel - Spinergy Spox, 22 in, Blue	1
6	9003414	Rear Wheel - Spinergy Spox, 24 in, Blue	1
7	9003415	Rear Wheel - Spinergy Spox, 25 in, Blue	1
8	9003416	Rear Wheel - Spinergy Spox, 26 in, Blue	1
9	9003418	Rear Wheel - Spinergy Spox, 22 in, Red	1
10	9003419	Rear Wheel - Spinergy Spox, 24 in, Red	1
11	9003420	Rear Wheel - Spinergy Spox, 25 in, Red	1
12	9003421	Rear Wheel - Spinergy Spox, 26 in, Red	1
13	9003433	Rear Wheel - Spinergy Spox, 22 in, Yellow	1
14	9003434	Rear Wheel - Spinergy Spox, 24 in, Yellow	1
15	9003435	Rear Wheel - Spinergy Spox, 25 in, Yellow	1
16	9003436	Rear Wheel - Spinergy Spox, 26 in, Yellow	1
17	9003443	Rear Wheel - Spinergy Spox, 22 in, White	1
18	9003444	Rear Wheel - Spinergy Spox, 24 in, White	1
19	9003445	Rear Wheel - Spinergy Spox, 25 in, White	1
20	9003446	Rear Wheel - Spinergy Spox, 26 in, White	1

ITEM NO.	PARTNO	DESCRIPTION	QTY
21	9001498	Rear Wheel - Spinergy LX, 22 in, Black	1
22	9001499	Rear Wheel - Spinergy LX, 24 in, Black	1
23	9001500	Rear Wheel - Spinergy LX, 25 in, Black	1
24	9001501	Rear Wheel - Spinergy LX, 26 in, Black	1
25	9003448	Rear Wheel - Spinergy LX, 22 in, Blue	1
26	9003449	Rear Wheel - Spinergy LX, 24 in, Blue	1
27	9003450	Rear Wheel - Spinergy LX, 25 in, Blue	1
28	9003451	Rear Wheel - Spinergy LX, 26 in, Blue	1
29	9003453	Rear Wheel - Spinergy LX, 22 in, Red	1
30	9003454	Rear Wheel - Spinergy LX, 24 in, Red	1
31	9003455	Rear Wheel - Spinergy LX, 25 in, Red	1
32	9003456	Rear Wheel - Spinergy LX, 26 in, Red	1
33	9003458	Rear Wheel - Spinergy LX, 22 in, Green	1
34	9003459	Rear Wheel - Spinergy LX, 24 in, Green	1
35	9003460	Rear Wheel - Spinergy LX, 25 in, Green	1
36	9003461	Rear Wheel - Spinergy LX, 26 in, Green	1
37	9003463	Rear Wheel - Spinergy LX, 22 in, Orange	1
38	9003464	Rear Wheel - Spinergy LX, 24 in, Orange	1
39	9003465	Rear Wheel - Spinergy LX, 25 in, Orange	1
40	9003466	Rear Wheel - Spinergy LX, 26 in, Orange	1
41	9003468	Rear Wheel - Spinergy LX, 22 in, Yellow	1
42	9003469	Rear Wheel - Spinergy LX, 24 in, Yellow	1
43	9003470	Rear Wheel - Spinergy LX, 25 in, Yellow	1
44	9003471	Rear Wheel - Spinergy LX, 26 in, Yellow	1
45	9003473	Rear Wheel - Spinergy LX, 22 in, Pink	1
46	9003474	Rear Wheel - Spinergy LX, 24 in, Pink	1
47	9003475	Rear Wheel - Spinergy LX, 25 in, Pink	1
48	9003476	Rear Wheel - Spinergy LX, 26 in, Pink	1
49	9003478	Rear Wheel - Spinergy LX, 22 in, White	1
50	9003479	Rear Wheel - Spinergy LX, 24 in, White	1
51	9003480	Rear Wheel - Spinergy LX, 25 in, White	1
52	9003481	Rear Wheel - Spinergy LX, 26 in, White	1
53	9003482	Rear Wheel - Spinergy LX, 22 in, Purple	1
54	9003483	Rear Wheel - Spinergy LX, 24 in, Purple	1
55	9003484	Rear Wheel - Spinergy LX, 25 in, Purple	1
56	9003485	Rear Wheel - Spinergy LX, 26 in, Purple	1



**ONLY COLORS AVAILABLE
 FOR SPINERGY SPOX**

**MAKE SURE TO HAVE YOUR SERIAL NUMBER
 NEARBY WHEN ORDERING PARTS FOR YOUR
 MOTION COMPOSITES WHEELCHAIR**

Rear Wheels Catalogue
Spinergy CLX Blade Rear Wheels



SPINERGY CLX BLADE

ITEM NO.	PARTNO	DESCRIPTION	QTY
1	9008122	Rear Wheel - Spinergy CLX Blade, 24 in, Black	1
2	9008123	Rear Wheel - Spinergy CLX Blade, 25 in, Black	1
3	9008127	Rear Wheel - Spinergy CLX Blade, 24 in, Blue	1
4	9008128	Rear Wheel - Spinergy CLX Blade, 25 in, Blue	1
5	9008132	Rear Wheel - Spinergy CLX Blade, 24 in, Red	1
6	9008133	Rear Wheel - Spinergy CLX Blade, 25 in, Red	1
7	9008137	Rear Wheel - Spinergy CLX Blade, 24 in, Green	1
8	9008138	Rear Wheel - Spinergy CLX Blade, 25 in, Green	1
9	9008142	Rear Wheel - Spinergy CLX Blade, 24 in, Orange	1
10	9008143	Rear Wheel - Spinergy CLX Blade, 25 in, Orange	1
11	9008147	Rear Wheel - Spinergy CLX Blade, 24 in, Yellow	1
12	9008148	Rear Wheel - Spinergy CLX Blade, 25 in, Yellow	1
13	9008152	Rear Wheel - Spinergy CLX Blade, 24 in, Pink	1
14	9008153	Rear Wheel - Spinergy CLX Blade, 25 in, Pink	1
15	9008157	Rear Wheel - Spinergy CLX Blade, 24 in, White	1
16	9008158	Rear Wheel - Spinergy CLX Blade, 25 in, White	1
17	9008162	Rear Wheel - Spinergy CLX Blade, 24 in, Purple	1
18	9008163	Rear Wheel - Spinergy CLX Blade, 25 in, Purple	1

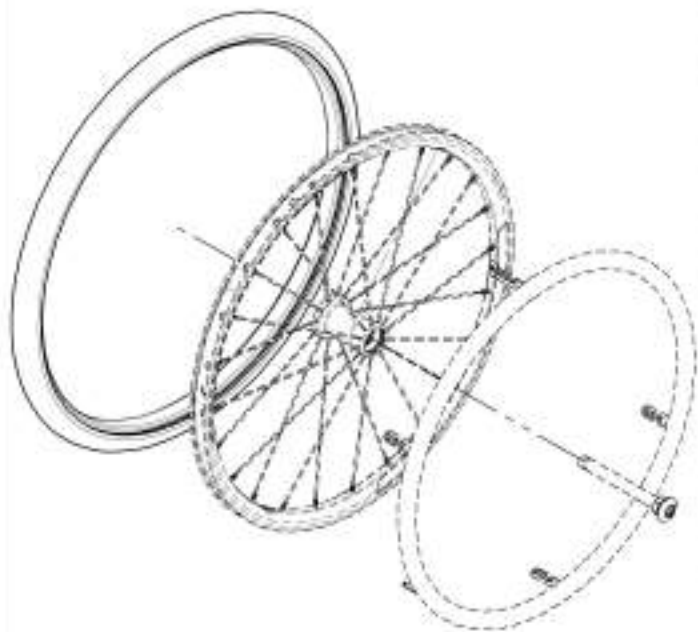


**BEARING REPLACEMENT
 FOR ALL REAR WHEELS**
 Part#: **22011**



MAKE SURE TO HAVE YOUR SERIAL NUMBER
 NEARBY WHEN ORDERING PARTS FOR YOUR
 MOTION COMPOSITES WHEELCHAIR

Rear Wheels Catalogue Tires



**TUBE AND RIM TAPE ARE ALREADY
INCLUDED WITH ALL PNEUMATIC TIRES**

ITEM NO.	PARTNO	DESCRIPTION	QTY.
1	9001507	Tire - Soft Urethane, 1 1/4 x 20 in	1
2	9001508	Tire - Soft Urethane, 1 1/4 x 22 in	1
3	9001509	Tire - Soft Urethane, 1 1/4 x 24 in	1
4	9001510	Tire & Components - Pneumatic, Standard Pressure, 1 3/8 x 20 in	1
	21315	PNEUMATIC TIRE 20x1-3/8in	1
	21255	20" x1 1/2" TUBE	1
	21064	RIM TAPE 20in	1
5	9001511	Tire & Components - Pneumatic, Standard Pressure, 1 3/8 x 22 in	1
	21316	PNEUMATIC TIRE 22x1-3/8in	1
	21256	22" x1 1/2" TUBE	1
	21065	RIM TAPE 22in	1
6	9001512	Tire & Components - Pneumatic, Standard Pressure, 1 3/8 x 24 in	1
	21317	PNEUMATIC TIRE 24x1-3/8in	1
	21257	24" x1 1/2" TUBE	1
	21066	RIM TAPE 24in	1
7	9001513	Tire & Components - Pneumatic, Standard Pressure, 1 3/8 x 25 in	1
	21318	PNEUMATIC TIRE 25x1-3/8in	1
	21253	25"x1" TUBE	1
	21067	RIM TAPE 25in	1
8	9001514	Tire & Components - Pneumatic, Standard Pressure, 1 3/8 x 26 in	1
	21319	PNEUMATIC TIRE 26x1-3/8in	1
	21259	26" x1 1/2" TUBE	1
	21068	RIM TAPE 26in	1
9	9001515	Tire - Pyramid, 1 x 22 in	1
10	9001516	Tire - Pyramid, 1 x 24 in	1
11	9001517	Tire & Components - Schwabe Rightrun HP, 1 x 20 in	1
	21305	IRONCAP/RIGHTRUN 1" HP TIRE 20"	1
	21250	20"x1" TUBE	1
	21064	RIM TAPE 20in	1
12	9001518	Tire & Components - Schwabe Rightrun HP, 1 x 22 in	1
	21306	IRONCAP/RIGHTRUN 1" HP TIRE 22"	1
	21251	22"x1" TUBE	1
	21065	RIM TAPE 22in	1
13	9001519	Tire & Components - Schwabe Rightrun HP, 1 x 24 in	1
	21307	IRONCAP/RIGHTRUN 1" HP TIRE 24"	1
	21252	24"x1" TUBE	1
	21066	RIM TAPE 24in	1
14	9001520	Tire & Components - Schwabe Rightrun HP, 1 x 25 in	1
	21308	IRONCAP/RIGHTRUN 1" HP TIRE 25"	1
	21253	25"x1" TUBE	1
	21067	RIM TAPE 25in	1
15	9001521	Tire & Components - Schwabe Rightrun HP, 1 x 26 in	1
	21309	IRONCAP/RIGHTRUN 1" HP TIRE 26"	1
	21254	26"x1" TUBE	1
	21068	RIM TAPE 26in	1

ITEM NO.	PARTNO	DESCRIPTION	QTY.
16	9001522	Tire & Components - Kenda Kourier HP, 1 3/8 x 24 in	1
	21322	24"x1 1/2" KOURIER TIRE	1
	21257	24" x1 1/2" TUBE	1
	21066	RIM TAPE 24in	1
17	9001523	Tire & Components - Kenda Kourier HP, 1 3/8 x 26 in	1
	21326	26"x1 1/2" KOURIER TIRE	1
	21259	26" x1 1/2" TUBE	1
	21068	RIM TAPE 26in	1
18	9001524	Tire - Soft Urethane SHOX HP, 1 x 22 in	1
19	9001525	Tire - Soft Urethane SHOX HP, 1 x 24 in	1
20	9001526	Tire - Soft Urethane SHOX HP, 1 x 25 in	1
21	9001527	Tire - Soft Urethane SHOX HP, 1 x 26 in	1
22	9001528	Tire & Components - Schwabe Marathon Plus, 1 x 24 in	1
	21252	24"x1" TUBE	1
	21066	RIM TAPE 24in	1
	21312	24x1in HP TIRE MARATHON PLUS	1
23	9001529	Tire & Components - Schwabe Marathon Plus, 1 x 25 in	1
	21253	25"x1" TUBE	1
	21067	RIM TAPE 25in	1
	21313	25x1in HP TIRE MARATHON PLUS	1
24	9001530	Tire & Components - Schwabe Marathon Plus, 1 x 26 in	1
	21254	26"x1" TUBE	1
	21068	RIM TAPE 26in	1
	21314	26x1in HP TIRE MARATHON PLUS	1
25	9002221	Tire - Soft Urethane, Knobby, 1 3/8 x 22 in	1
26	9002225	Tire - Soft Urethane, Knobby, 1 3/8 x 24 in	1
27	9002264	Tire - Soft Urethane, Knobby, 1 3/8 x 25 in	1
28	9002265	Tire - Soft Urethane, Knobby, 1 3/8 x 26 in	1
29	9003044	Tire & Components - Pneumatic, Knobby, 2 x 22 in	1
	21379	22nx2in KNOBBY STYLE PNEUMATIC TIRE	1
	21265	22nx2in TUBE	1
	21065	RIM TAPE 22in	1
30	9003045	Tire & Components - Pneumatic, Knobby, 2 x 24 in	1
	21380	24nx2in KNOBBY STYLE PNEUMATIC TIRE	1
	21266	24nx2in TUBE	1
	21066	RIM TAPE 24in	1
31	9003046	Tire & Components - Pneumatic, Knobby, 2 x 25 in	1
	21381	25nx2in KNOBBY STYLE PNEUMATIC TIRE	1
	21267	25nx2in TUBE	1
	21067	RIM TAPE 25in	1

MAKE SURE TO HAVE YOUR SERIAL NUMBER
NEARBY WHEN ORDERING PARTS FOR YOUR
MOTION COMPOSITES WHEELCHAIR

**Rear Wheels Catalogue
Handrims**

CUTTING FEES

Available only for 9001537, 9001539, 9001540 & 9001541

9003632

Handrim Tabs cutting, Narrow Position

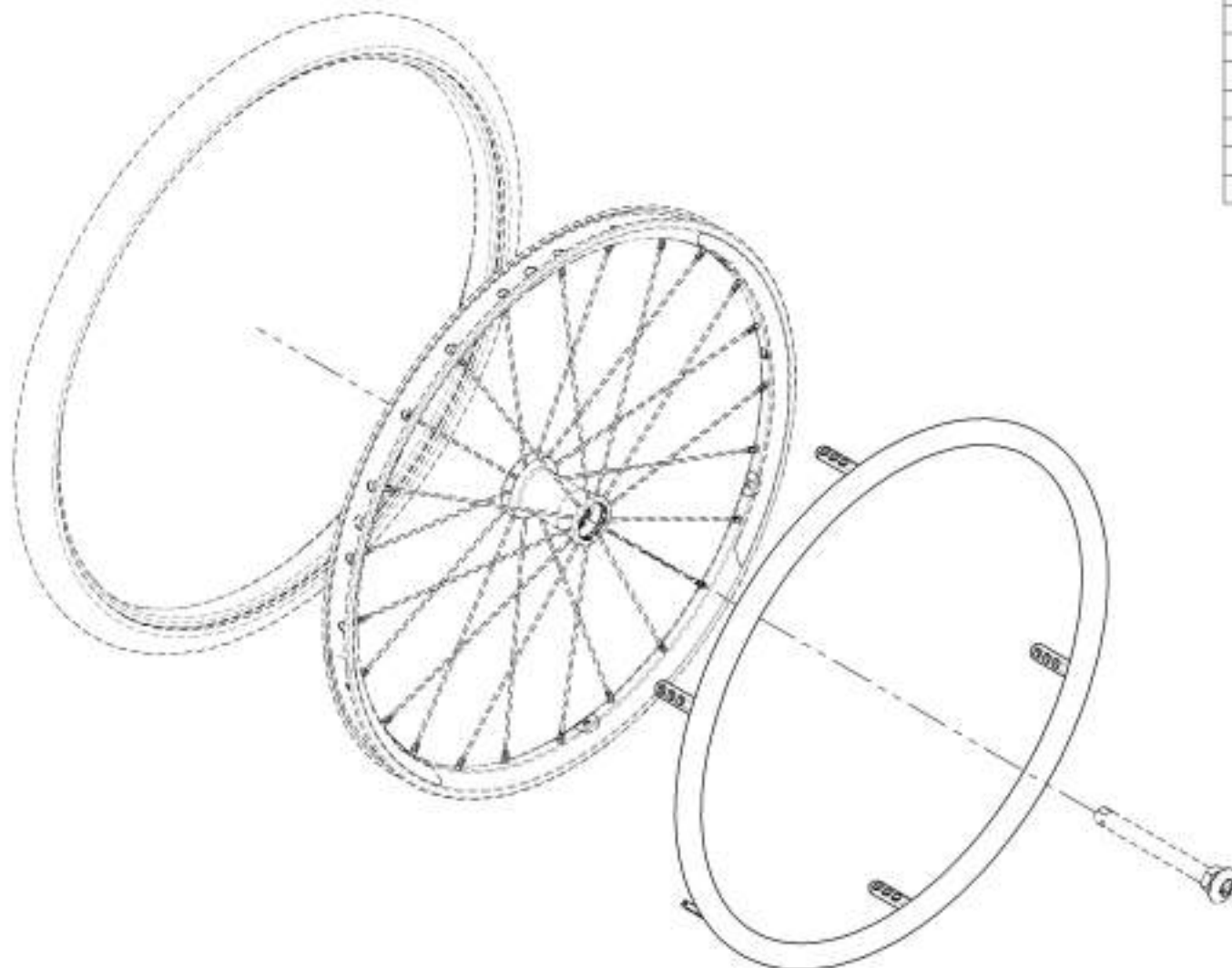
9003633

Handrim Tabs cutting, Super Narrow Position

HANDRIM TAB STICKERS

9003634

Contact Joint Stickers for Handrim Tabs



ITEM NO.	PARTNO	DESCRIPTION	QTY.
1	9001531	Handrim For Mag - Anodized Aluminum, 20 in	1
2	9001532	Handrim For Mag - Anodized Aluminum, 22 in	1
3	9001533	Handrim For Mag - Anodized Aluminum, 24 in	1
4	9001534	Handrim For Mag - Plastic Coated, 20 in	1
5	9001535	Handrim For Mag - Plastic Coated, 22 in	1
6	9001536	Handrim For Mag - Plastic Coated, 24 in	1
7	9001537	Handrim - Anodized Aluminum, 20 in	1
8	9001538	Handrim - Anodized Aluminum, 22 in	1
9	9001539	Handrim - Anodized Aluminum, 24 in	1
10	9001540	Handrim - Anodized Aluminum, 25 in	1
11	9001541	Handrim - Anodized Aluminum, 26 in	1
12	9001542	Handrim - Plastic Coated, 20 in	1
13	9001543	Handrim - Plastic Coated, 22 in	1
14	9001544	Handrim - Plastic Coated, 24 in	1
15	9001545	Handrim - Plastic Coated, 25 in	1
16	9001546	Handrim - Plastic Coated, 26 in	1
17	9001548	Handrim - Q-Grip High Friction Coated Foam, 22 in	1
18	9001549	Handrim - Q-Grip High Friction Coated Foam, 24 in	1
19	9001550	Handrim - Q-Grip High Friction Coated Foam, 25 in	1
20	9001551	Handrim - Q-Grip High Friction Coated Foam, 26 in	1

MAKE SURE TO HAVE YOUR SERIAL NUMBER
NEARBY WHEN ORDERING PARTS FOR YOUR
MOTION COMPOSITES WHEELCHAIR

**Rear Wheels Catalogue
Surge & Natural Fit Handrims**



The Surge

The Surge LT



ITEM NO.	PARTNO	DESCRIPTION	QTY
1	9002209	Handrim - Surge, 22 in	1
2	9002210	Handrim - Surge, 24 in	1
3	9002211	Handrim - Surge, 25 in	1
4	9002212	Handrim - Surge, 26 in	1
5	9001555	Handrim - Surge LT, 22 in	1
6	9001556	Handrim - Surge LT, 24 in	1
7	9001576	Handrim - Surge LT, 25 in	1
8	9001578	Handrim - Surge LT, 26 in	1
9	9003274	Handrim - Natural FR, 22 in	1
10	9003275	Handrim - Natural FR, 24 in	1
11	9003276	Handrim - Natural FR, 25 in	1
12	9003277	Handrim - Natural FR, 26 in	1
13	9001552	Handrim - Natural RI, Standard Grip, 22 in	1
	21 221	NATURAL FIT HANDRIM 22in	1
	21 226	NATURAL FIT THUMB PIECE 22in	1
14	9001553	Handrim - Natural RI, Standard Grip, 24 in	1
	21 222	NATURAL FIT HANDRIM 24in	1
	21 227	NATURAL FIT THUMB PIECE 24in	1
15	9002849	Handrim - Natural RI, Standard Grip, 25 in	1
	21 223	NATURAL FIT HANDRIM 25in	1
	21 228	NATURAL FIT THUMB PIECE 25in	1
16	9001554	Handrim - Natural RI, Standard Grip, 26 in	1
	21 224	NATURAL FIT HANDRIM 26in	1
	21 229	NATURAL FIT THUMB PIECE 26in	1



Standard Grip

Super Grip

ITEM NO.	PARTNO	DESCRIPTION	QTY
17	9003278	Handrim - Natural RI, Super Grip, 22 in	1
	21 221	NATURAL FIT HANDRIM 22in	1
	21 243	NATURAL FIT SUPER GRIP THUMB PIECE 22in	1
18	9003279	Handrim - Natural RI, Super Grip, 24 in	1
	21 222	NATURAL FIT HANDRIM 24in	1
	21 244	NATURAL FIT SUPER GRIP THUMB PIECE 24in	1
19	9003280	Handrim - Natural RI, Super Grip, 25 in	1
	21 223	NATURAL FIT HANDRIM 25in	1
	21 245	NATURAL FIT SUPER GRIP THUMB PIECE 25in	1
20	9003281	Handrim - Natural RI, Super Grip, 26 in	1
	21 224	NATURAL FIT HANDRIM 26in	1
	21 246	NATURAL FIT SUPER GRIP THUMB PIECE 26in	1
21	9002206	Handrim - Natural RI LT, 22 in	1
22	9002207	Handrim - Natural RI LT, 24 in	1
23	9002147	Handrim - Natural RI LT, 25 in	1
24	9002208	Handrim - Natural RI LT, 26 in	1
25	9003282	Handrim - Natural FR LT, Standard Grip, 22 in	1
	21 272	NATURAL FIT LT HANDRIM 22in	1
	21 226	NATURAL FIT THUMB PIECE 22in	1
26	9003283	Handrim - Natural FR LT, Standard Grip, 24 in	1
	21 273	NATURAL FIT LT HANDRIM 24in	1
	21 227	NATURAL FIT THUMB PIECE 24in	1
27	9003284	Handrim - Natural FR LT, Standard Grip, 25 in	1
	21 274	NATURAL FIT LT HANDRIM 25in	1
	21 228	NATURAL FIT THUMB PIECE 25in	1
28	9003285	Handrim - Natural FR LT, Standard Grip, 26 in	1
	21 275	NATURAL FIT LT HANDRIM 26in	1
	21 229	NATURAL FIT THUMB PIECE 26in	1



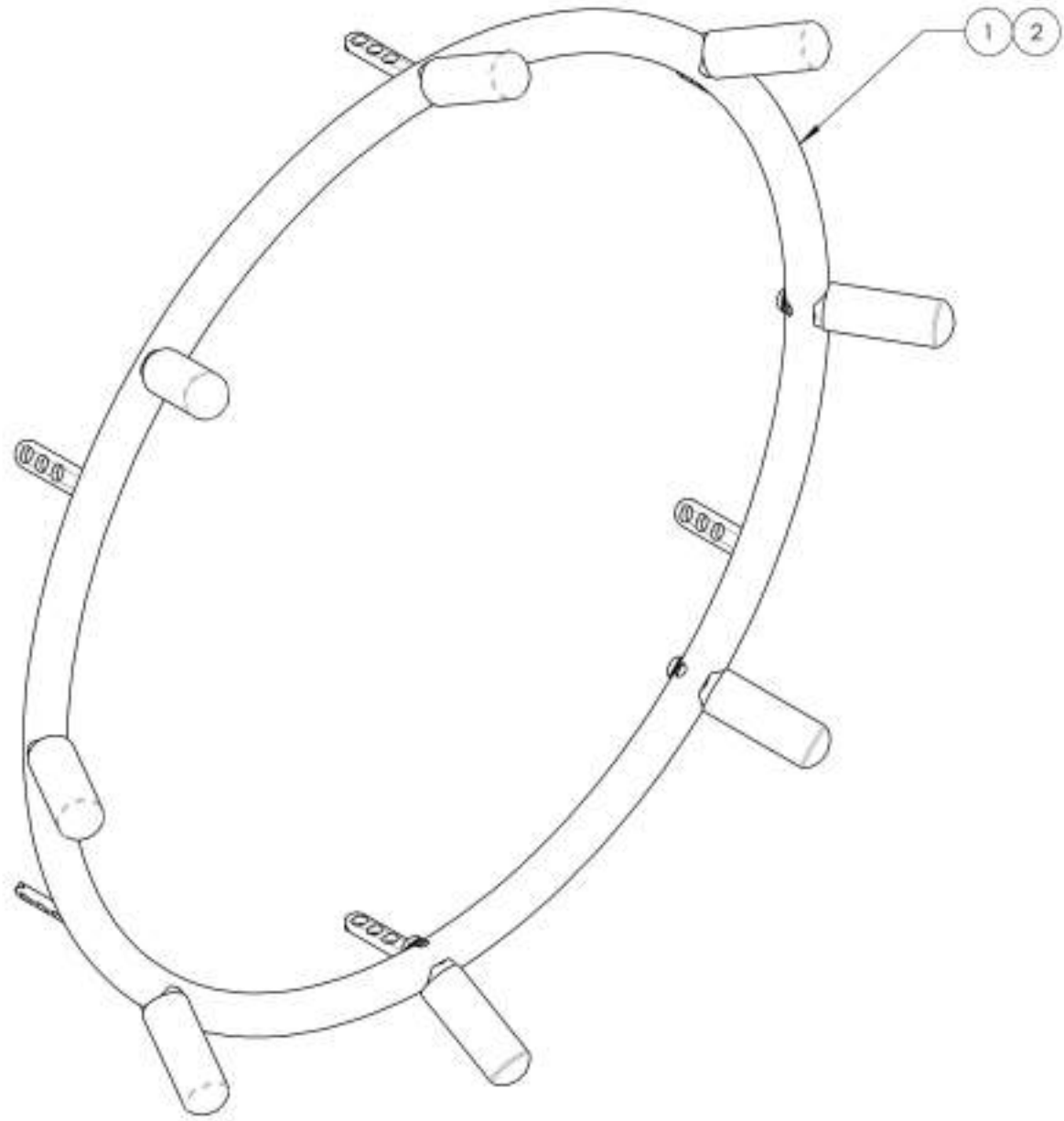
The Natural-Fit

The Natural-Fit LT

MAKE SURE TO HAVE YOUR SERIAL NUMBER NEARBY WHEN ORDERING PARTS FOR YOUR MOTION COMPOSITES WHEELCHAIR

Rear Wheels Catalogue
Oblique Projection Handrims

ITEM NO.	PARTNO	DESCRIPTION	QTY
1	9002517	Handrim - Oblique Projection, 22 in	1
2	9002518	Handrim - Oblique Projection, 24 in	1



MAKE SURE TO HAVE YOUR SERIAL NUMBER
NEARBY WHEN ORDERING PARTS FOR YOUR
MOTION COMPOSITES WHEELCHAIR

Rear Wheels Catalogue Newton Air Grip Handrims



BLACK
NOIR



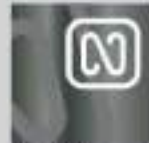
SUNKISSED ORANGE
ORANGE TANGERINE



STEEL BLUE
BLEU ACIER



SKY BLUE
BLEU CIEL



CHARCOAL
ANTHRACITE



FERRARI RED
ROUGE FERRARI



SAPPHIRE BLUE
BLEU SAPHIRE



WHITE
BLANC



BURGUNDY
BOURGOGNE



MONSTER GREEN
VERT MONSTRE



FUCHSIA



ACID GREEN
VERT ACIDE

ITEM NO.	PARTNO	DESCRIPTION	QTY.	ITEM NO.	PARTNO	DESCRIPTION	QTY.
1	9002962	Handrim - Newton Air Grip, 20 in - Black	1	31	9002992	Handrim - Newton Air Grip, 20 in - Sapphire Blue	1
2	9002963	Handrim - Newton Air Grip, 22 in - Black	1	32	9002993	Handrim - Newton Air Grip, 22 in - Sapphire Blue	1
3	9002964	Handrim - Newton Air Grip, 24 in - Black	1	33	9002994	Handrim - Newton Air Grip, 24 in - Sapphire Blue	1
4	9002965	Handrim - Newton Air Grip, 25 in - Black	1	34	9002995	Handrim - Newton Air Grip, 25 in - Sapphire Blue	1
5	9002966	Handrim - Newton Air Grip, 26 in - Black	1	35	9002996	Handrim - Newton Air Grip, 26 in - Sapphire Blue	1
6	9002967	Handrim - Newton Air Grip, 20 in - Sun-kissed Orange	1	36	9002997	Handrim - Newton Air Grip, 20 in - White	1
7	9002968	Handrim - Newton Air Grip, 22 in - Sun-kissed Orange	1	37	9002998	Handrim - Newton Air Grip, 22 in - White	1
8	9002969	Handrim - Newton Air Grip, 24 in - Sun-kissed Orange	1	38	9002999	Handrim - Newton Air Grip, 24 in - White	1
9	9002970	Handrim - Newton Air Grip, 25 in - Sun-kissed Orange	1	39	9003000	Handrim - Newton Air Grip, 25 in - White	1
10	9002971	Handrim - Newton Air Grip, 26 in - Sun-kissed Orange	1	40	9003001	Handrim - Newton Air Grip, 26 in - White	1
11	9002972	Handrim - Newton Air Grip, 20 in - Steel Blue	1	41	9003002	Handrim - Newton Air Grip, 20 in - Burgundy	1
12	9002973	Handrim - Newton Air Grip, 22 in - Steel Blue	1	42	9003003	Handrim - Newton Air Grip, 22 in - Burgundy	1
13	9002974	Handrim - Newton Air Grip, 24 in - Steel Blue	1	43	9003004	Handrim - Newton Air Grip, 24 in - Burgundy	1
14	9002975	Handrim - Newton Air Grip, 25 in - Steel Blue	1	44	9003005	Handrim - Newton Air Grip, 25 in - Burgundy	1
15	9002976	Handrim - Newton Air Grip, 26 in - Steel Blue	1	45	9003006	Handrim - Newton Air Grip, 26 in - Burgundy	1
16	9002977	Handrim - Newton Air Grip, 20 in - Sky Blue	1	46	9003007	Handrim - Newton Air Grip, 20 in - Monster Green	1
17	9002978	Handrim - Newton Air Grip, 22 in - Sky Blue	1	47	9003008	Handrim - Newton Air Grip, 22 in - Monster Green	1
18	9002979	Handrim - Newton Air Grip, 24 in - Sky Blue	1	48	9003009	Handrim - Newton Air Grip, 24 in - Monster Green	1
19	9002980	Handrim - Newton Air Grip, 25 in - Sky Blue	1	49	9003010	Handrim - Newton Air Grip, 25 in - Monster Green	1
20	9002981	Handrim - Newton Air Grip, 26 in - Sky Blue	1	50	9003011	Handrim - Newton Air Grip, 26 in - Monster Green	1
21	9002982	Handrim - Newton Air Grip, 20 in - Charcoal	1	51	9003012	Handrim - Newton Air Grip, 20 in - Fuchsia	1
22	9002983	Handrim - Newton Air Grip, 22 in - Charcoal	1	52	9003013	Handrim - Newton Air Grip, 22 in - Fuchsia	1
23	9002984	Handrim - Newton Air Grip, 24 in - Charcoal	1	53	9003014	Handrim - Newton Air Grip, 24 in - Fuchsia	1
24	9002985	Handrim - Newton Air Grip, 25 in - Charcoal	1	54	9003015	Handrim - Newton Air Grip, 25 in - Fuchsia	1
25	9002986	Handrim - Newton Air Grip, 26 in - Charcoal	1	55	9003016	Handrim - Newton Air Grip, 26 in - Fuchsia	1
26	9002987	Handrim - Newton Air Grip, 20 in - Ferrari Red	1	56	9003017	Handrim - Newton Air Grip, 20 in - Acid Green	1
27	9002988	Handrim - Newton Air Grip, 22 in - Ferrari Red	1	57	9003018	Handrim - Newton Air Grip, 22 in - Acid Green	1
28	9002989	Handrim - Newton Air Grip, 24 in - Ferrari Red	1	58	9003019	Handrim - Newton Air Grip, 24 in - Acid Green	1
29	9002990	Handrim - Newton Air Grip, 25 in - Ferrari Red	1	59	9003020	Handrim - Newton Air Grip, 25 in - Acid Green	1
30	9002991	Handrim - Newton Air Grip, 26 in - Ferrari Red	1	60	9003021	Handrim - Newton Air Grip, 26 in - Acid Green	1

CUTTING FEES

Only Available for 20, 24, 25 & 26 in Handrim

9003632

Handrim Tabs cutting, Narrow Position

9003633

Handrim Tabs cutting, Super Narrow Position

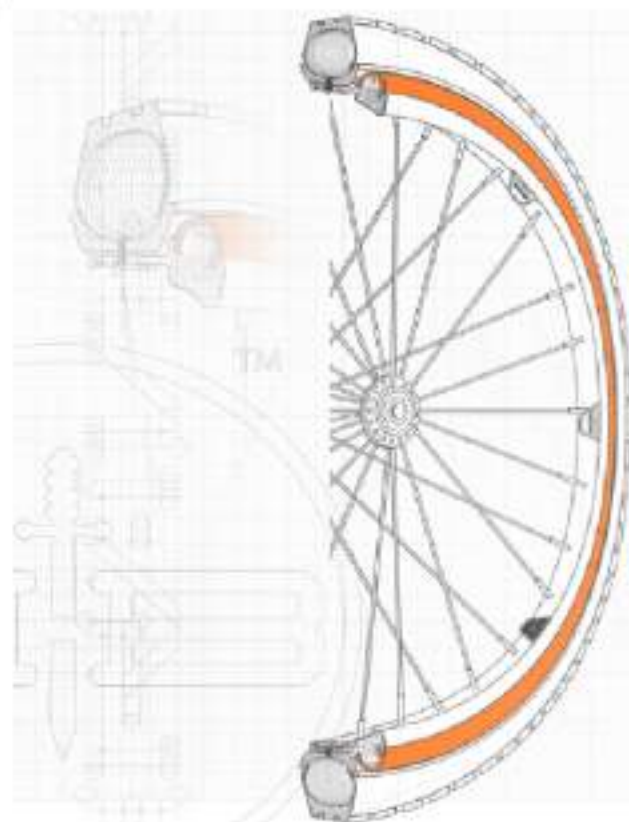
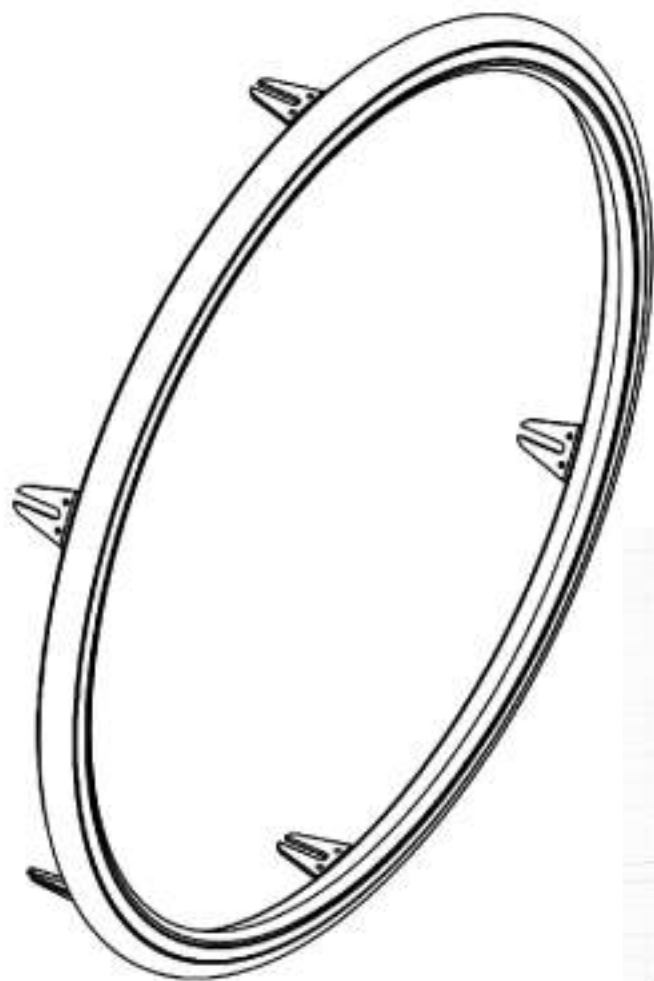
HANDRIM TAB STICKERS

9003634

Contact Joint Stickers for Handrim Tabs

MAKE SURE TO HAVE YOUR SERIAL NUMBER
NEARBY WHEN ORDERING PARTS FOR YOUR
MOTION COMPOSITES WHEELCHAIR

Rear Wheels Catalogue
BBraver Handrims



ITEM NO.	PART NO.	DESCRIPTION	QTY.
1	9002532	BBraver - Rough Rider Handrim, 24 in. White, Short (Pair) (RW-S-WW-24)	1
2	9002533	BBraver - Rough Rider Handrim, 24 in. White, Long (Pair) (RW-L-WW-24)	1
3	9002534	BBraver - Rough Rider Handrim, 25 in. White, Short (Pair) (RW-S-WW-25)	1
4	9002535	BBraver - Rough Rider Handrim, 25 in. White, Long (Pair) (RW-L-WW-25)	1
5	9002536	BBraver - Rough Rider Handrim, 24 in. Orange, Short (Pair) (RO-S-OB-24)	1
6	9002537	BBraver - Rough Rider Handrim, 24 in. Orange, Long (Pair) (RO-L-OB-24)	1
7	9002538	BBraver - Rough Rider Handrim, 25 in. Orange, Short (Pair) (RO-S-OB-25)	1
8	9002539	BBraver - Rough Rider Handrim, 25 in. Orange, Long (Pair) (RO-L-OB-25)	1
9	9002540	BBraver - Rough Rider Handrim, 24 in. Black, Short (Pair) (RB-S-OB-24)	1
10	9002541	BBraver - Rough Rider Handrim, 24 in. Black, Long (Pair) (RB-L-OB-24)	1
11	9002542	BBraver - Rough Rider Handrim, 25 in. Black, Short (Pair) (RB-S-OB-25)	1
12	9002543	BBraver - Rough Rider Handrim, 25 in. Black, Long (Pair) (RB-L-OB-25)	1
13	9002544	BBraver - Rough Rider Handrim, 26 in. Black, Short (Pair) (RB-S-OB-26)	1
14	9002545	BBraver - Rough Rider Handrim, 26 in. Black, Long (Pair) (RB-L-OB-26)	1

MAKE SURE TO HAVE YOUR SERIAL NUMBER NEARBY WHEN ORDERING PARTS FOR YOUR MOTION COMPOSITES WHEELCHAIR

**Rear Wheels Catalogue
Handrim Hardwares**

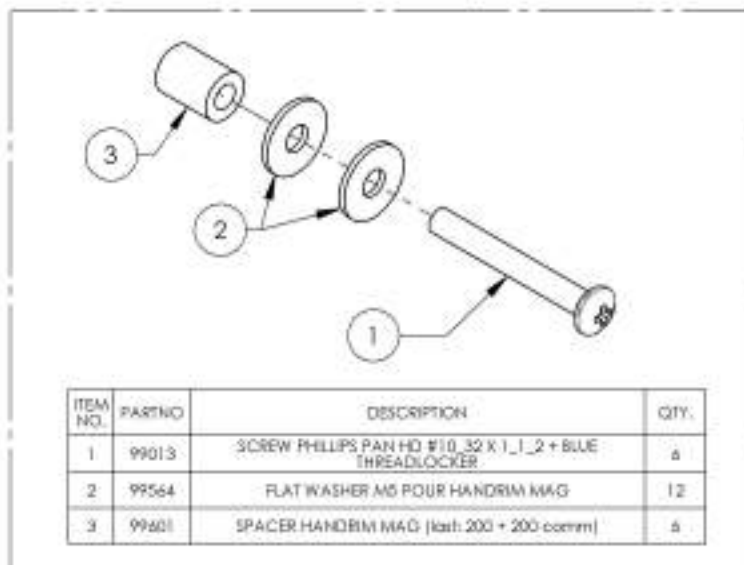
ITEM NO.	PARTNO	DESCRIPTION	QTY.
1	9001006	Handrim - Installation Hardware for Mag 20 in.	1
2	9001558	Handrim - Installation Hardware for Mag 22 & 24 in.	1
3	9001559	Handrim - Installation Hardware for Newton One	1
4	9001560	Handrim - Installation Hardware For Newton Gravity, Spinerge LX, Spinerge SPOX	1



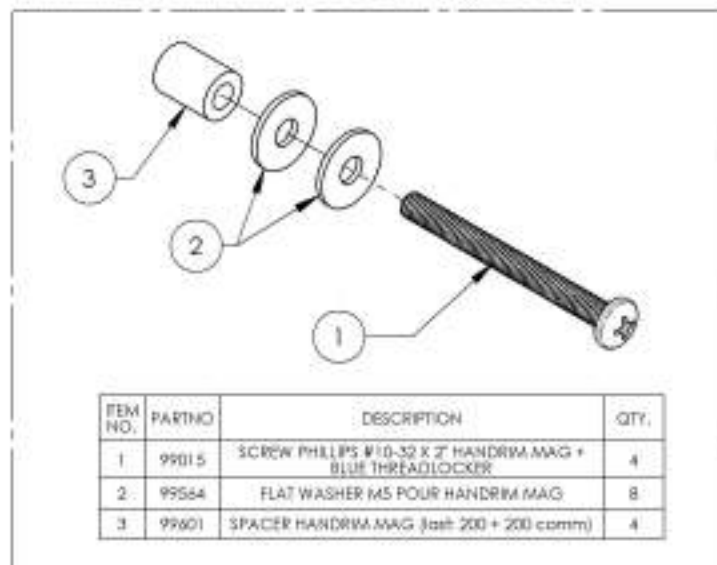
MAKE SURE TO HAVE YOUR SERIAL NUMBER
NEARBY WHEN ORDERING PARTS FOR YOUR
MOTION COMPOSITES WHEELCHAIR

9001006 & 9001558 9001560
Handrim - Installation Hardware

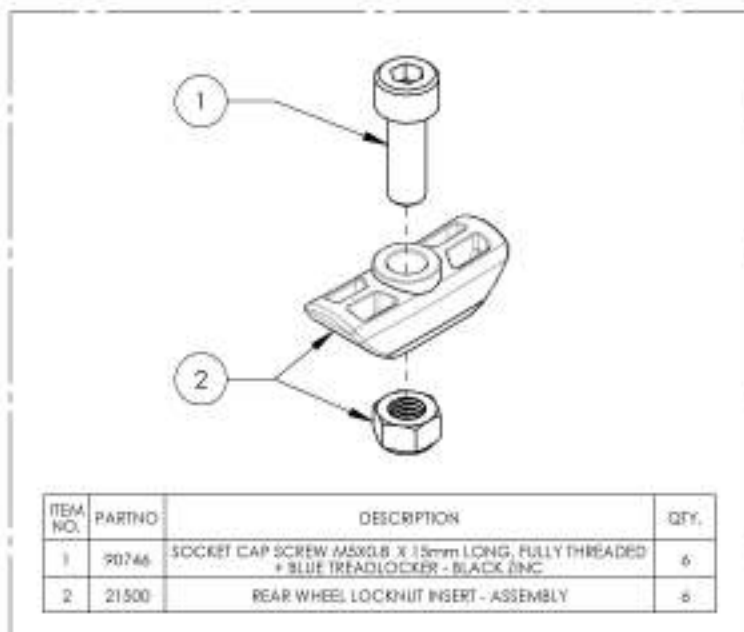
9001006
 Handrim - Installation Hardware for Mag 20 in



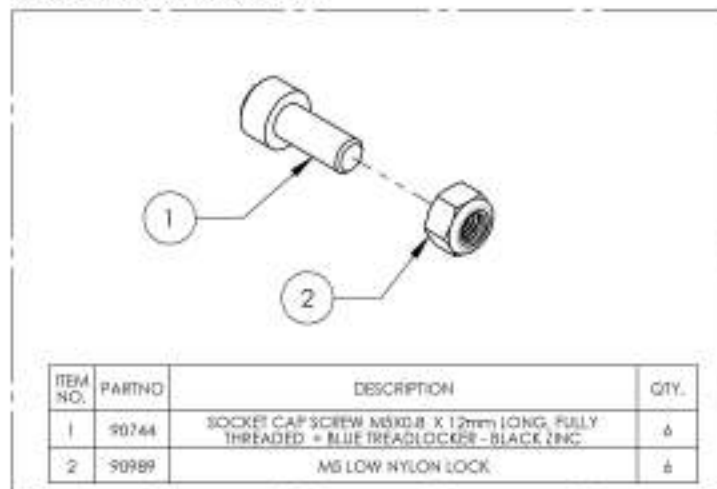
9001558
 Handrim - Installation Hardware for Mag 22 & 24 in



9001559
 Handrim - Installation Hardware For Newton One



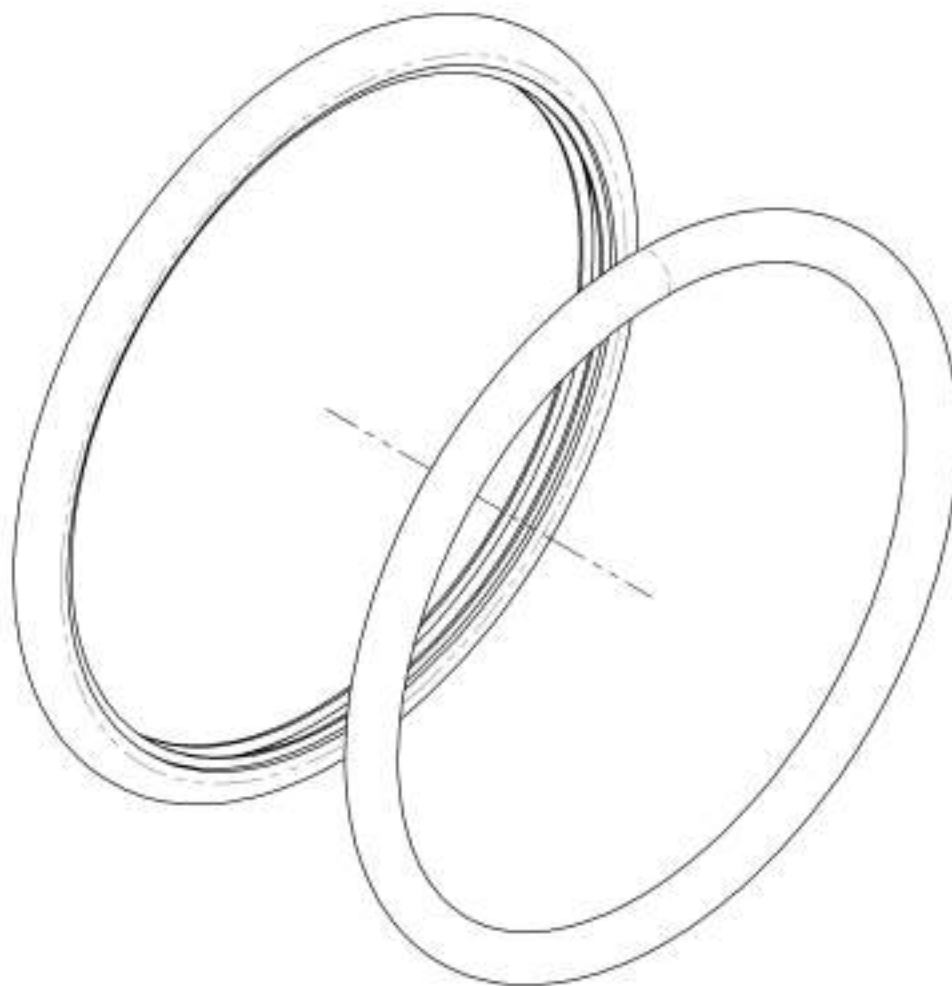
9001560
 Handrim - Installation Hardware For Newton Gravity, Spinerigy LX, Spinerigy SPOX



MAKE SURE TO HAVE YOUR SERIAL NUMBER NEARBY WHEN ORDERING PARTS FOR YOUR MOTION COMPOSITES WHEELCHAIR

Rear Wheels Catalogue
Flat Free Inserts for Pneumatics 1 3/8 in

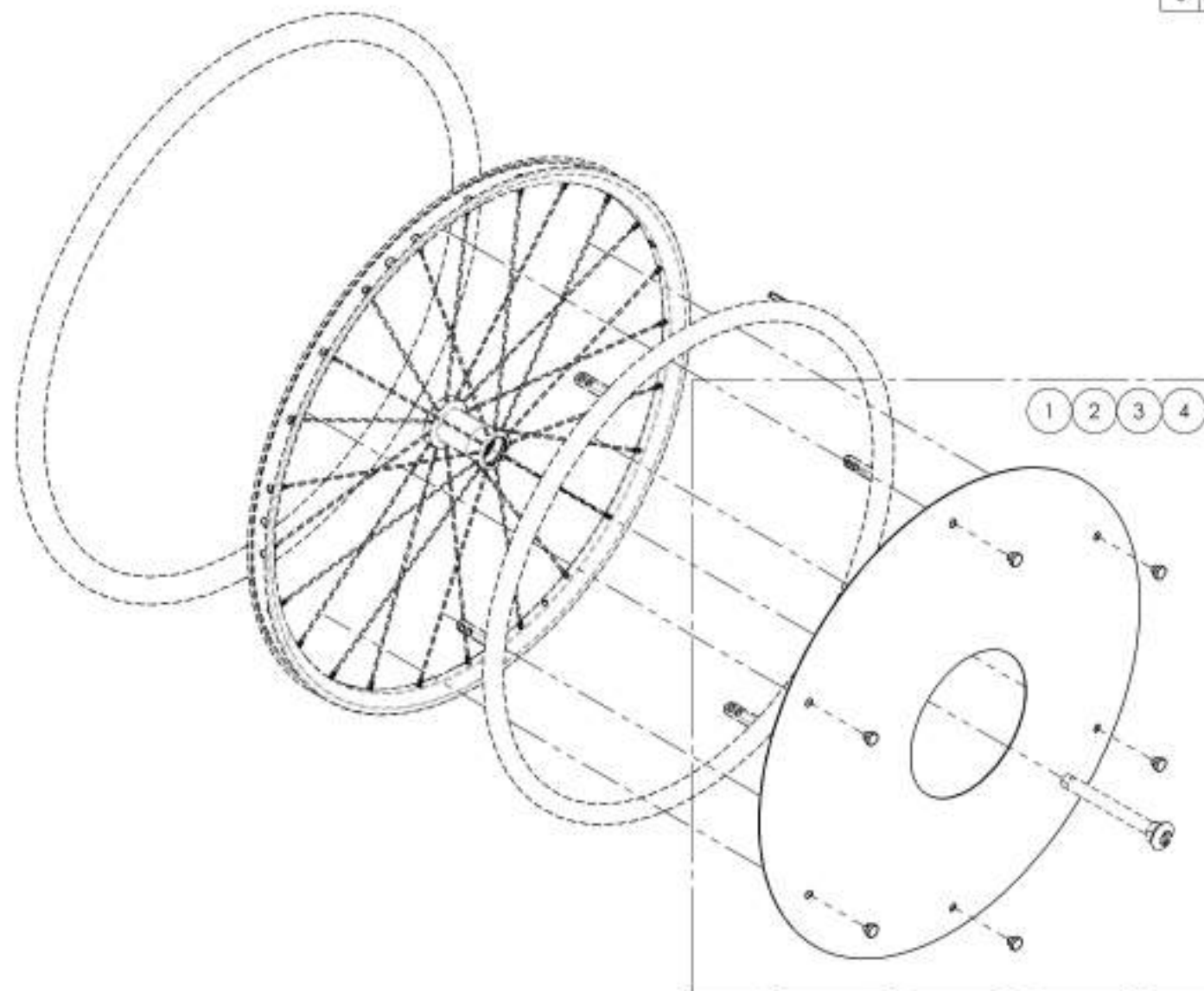
ITEM NO.	PART NO.	DESCRIPTION	QTY
1	9022409	Rear Wheel - Flat Free Insert, Pneumatic Tires 1 3/8 in, 22 in	1
	21371	FLAT FREE INSERT 22 x 1-3/8 in	1
	21316	PNEUMATIC TIRE 22x1-3/8in	1
2	9022410	Rear Wheel - Flat Free Insert, Pneumatic Tires 1 3/8 in, 24 in	1
	21372	FLAT FREE INSERT 24 x 1-3/8 in	1
	21317	PNEUMATIC TIRE 24x1-3/8in	1



MAKE SURE TO HAVE YOUR SERIAL NUMBER
NEARBY WHEN ORDERING PARTS FOR YOUR
MOTION COMPOSITES WHEELCHAIR

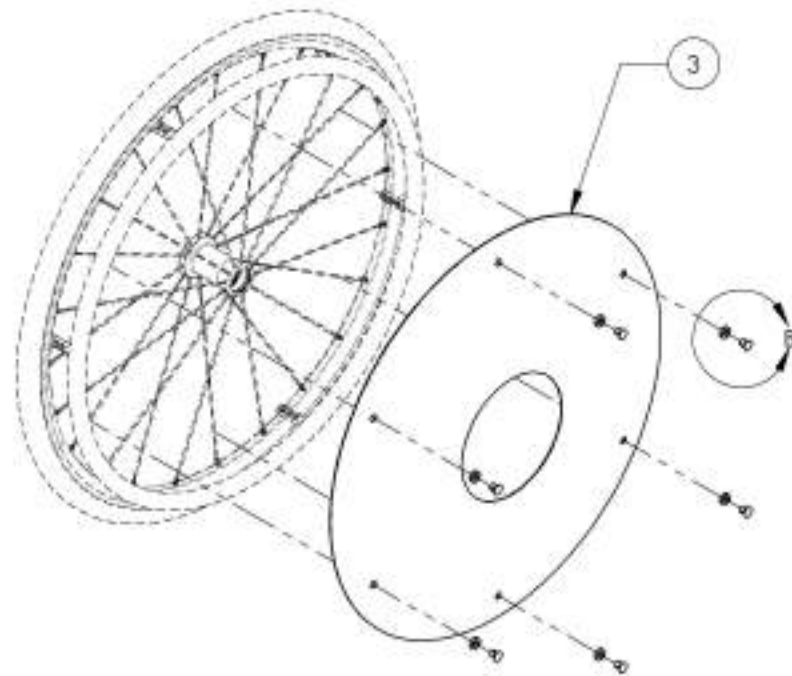
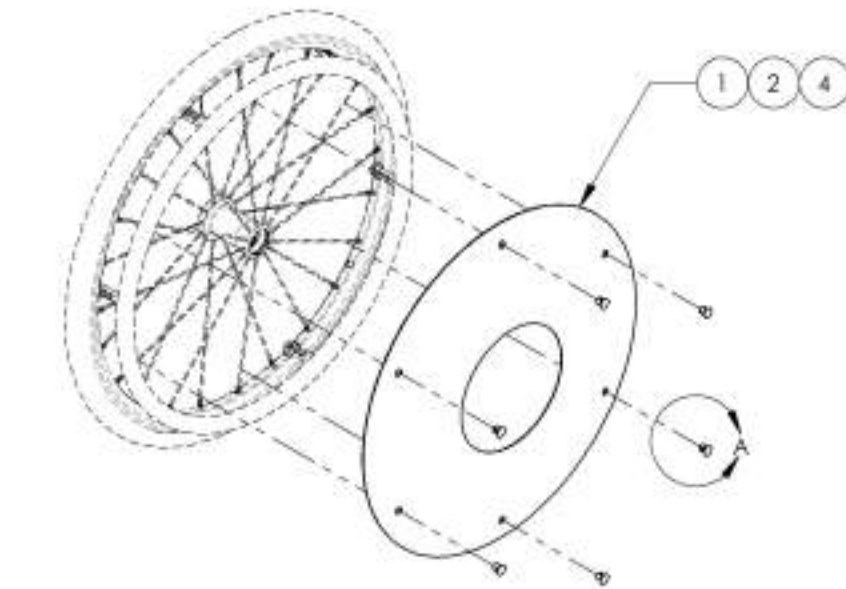
**Rear Wheels Catalogue
Spoke Guards**

ITEM NO.	PARTNO	DESCRIPTION	QTY.
1	9001629	Spoke Guard - 20 in	1
2	9001630	Spoke Guard - 22 in	1
3	9001631	Spoke Guard - 24 in	1
4	9001632	Spoke Guard - 26 in	1

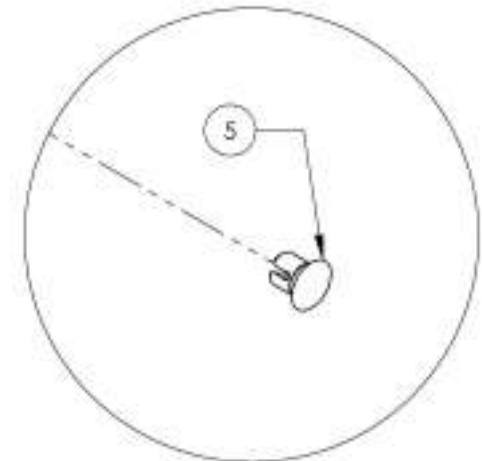


MAKE SURE TO HAVE YOUR SERIAL NUMBER
NEARBY WHEN ORDERING PARTS FOR YOUR
MOTION COMPOSITES WHEELCHAIR

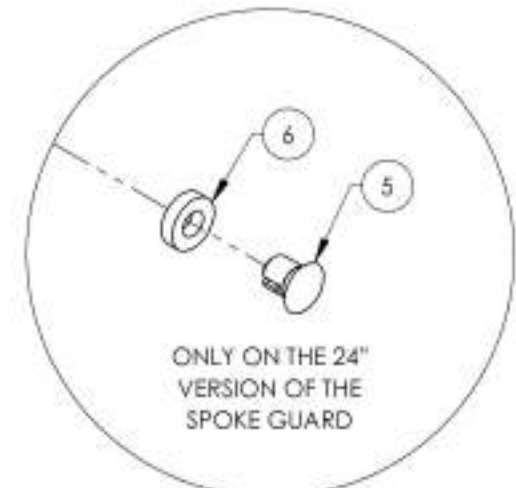
9001629_9001632
Spoke Guards



ITEM NO.	PARTNO	DESCRIPTION	9001629 /QTY.	9001630 /QTY.	9001631 /QTY.	9001632 /QTY.
1	51019	SPOKE GUARD 20in	1	-	-	-
2	51020	SPOKE GUARD 22in	-	1	-	-
3	51021	SPOKE GUARD 24in	-	-	1	-
4	51025	SPOKE GUARD 26in	-	-	-	1
5	51034	SPOKE SHIELD CUP	6	6	6	6
6	51033	SPOKE SHIELD CUP WASHER	-	-	6	-



DETAIL A
 SCALE 5 : 8

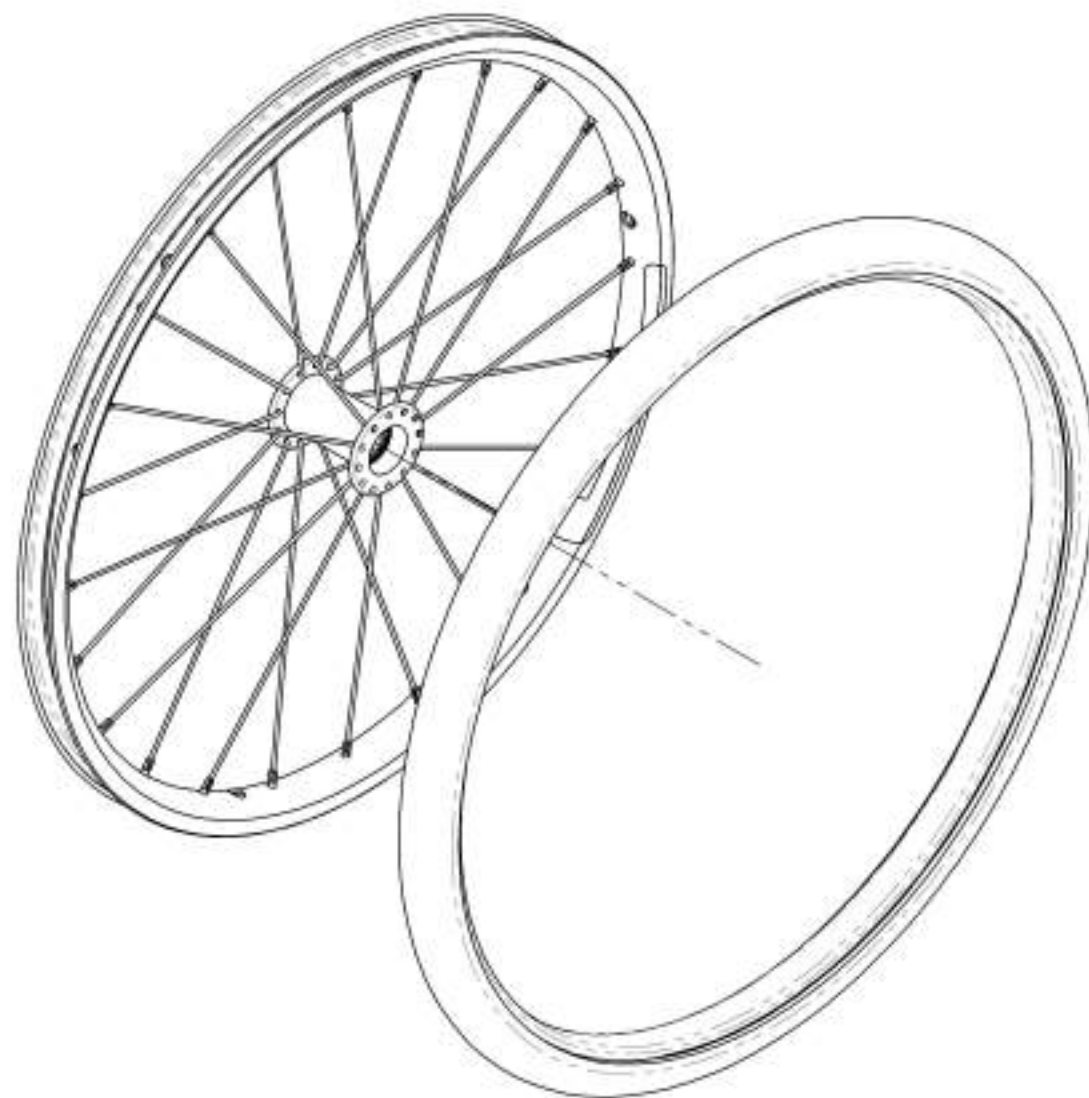


ONLY ON THE 24"
 VERSION OF THE
 SPOKE GUARD

DETAIL B
 SCALE 5 : 8

MAKE SURE TO HAVE YOUR SERIAL NUMBER
 NEARBY WHEN ORDERING PARTS FOR YOUR
 MOTION COMPOSITES WHEELCHAIR

Rear Wheels Catalogue
Rear Wheels + Tires



ITEM NO.	PARTNO	DESCRIPTION	QTY
1	9002499	Rear Wheel - Newton One + Soft Urethane Tire 20 in	1
2	9002500	Rear Wheel - Newton One + Soft Urethane Tire 22 in	1
3	9002501	Rear Wheel - Newton One + Soft Urethane Tire 24 in	1
4	9002502	Rear Wheel - Newton Gravity + Soft Urethane Tire 20 in	1
5	9002503	Rear Wheel - Newton Gravity + Soft Urethane Tire 22 in	1
6	9002504	Rear Wheel - Newton Gravity + Soft Urethane Tire 24 in	1
7	9002497	Rear Wheel - Newton One + HP, 20 in	1
8	9002505	Rear Wheel - Newton One + HP, 22 in	1
9	9002506	Rear Wheel - Newton One + HP, 24 in	1
10	9002507	Rear Wheel - Newton Gravity + HP, 20 in	1
11	9002508	Rear Wheel - Newton Gravity + HP, 22 in	1
12	9002509	Rear Wheel - Newton Gravity + HP, 24 in	1
13	9002519	Rear Wheel - Newton Gravity + HP, 25 in	1
14	9002510	Rear Wheel - Newton Gravity + HP, 26 in	1
15	9002498	Rear Wheel - Newton One + Standard Pressure, 20 in	1
16	9002511	Rear Wheel - Newton One + Standard Pressure, 22 in	1
17	9002512	Rear Wheel - Newton One + Standard Pressure, 24 in	1
18	9002513	Rear Wheel - Newton Gravity + Standard Pressure, 20 in	1
19	9002514	Rear Wheel - Newton Gravity + Standard Pressure, 22 in	1
20	9002515	Rear Wheel - Newton Gravity + Standard Pressure, 24 in	1
21	9002520	Rear Wheel - Newton Gravity + Standard Pressure, 25 in	1
22	9002516	Rear Wheel - Newton Gravity + Standard Pressure, 26 in	1

BEARING REPLACEMENT
FOR ALL REAR WHEELS

Part#: **22011**

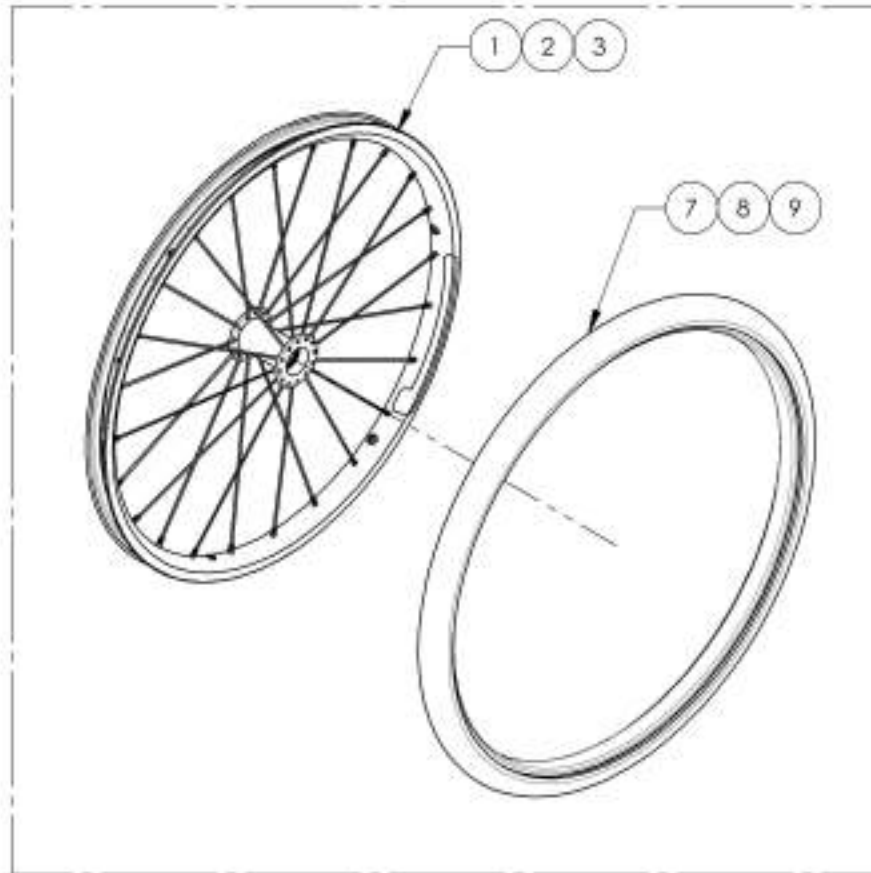
MAKE SURE TO HAVE YOUR SERIAL NUMBER
 NEARBY WHEN ORDERING PARTS FOR YOUR
 MOTION COMPOSITES WHEELCHAIR

9002499_9002504
Rear Wheel + Soft Urethane Tire

ITEM NO.	PARTNO	DESCRIPTION	9002499 /QTY.	9002500 /QTY.	9002501 /QTY.	9002502 /QTY.	9002503 /QTY.	9002504 /QTY.
1	21118	20 in NEWTON ONE WHEEL	1	-	-	-	-	-
2	21110	22 in NEWTON ONE WHEEL	-	1	-	-	-	-
3	21111	24 in NEWTON ONE WHEEL	-	-	1	-	-	-
4	21113	20" NEWTON GRAVITY WHEEL	-	-	-	1	-	-
5	21114	22" NEWTON GRAVITY WHEEL	-	-	-	-	1	-
6	21115	24" NEWTON GRAVITY WHEEL	-	-	-	-	-	1
7	21365	20" URETHANE TIRE	1	-	-	1	-	-
8	21366	22" URETHANE TIRE	-	1	-	-	1	-
9	21367	24" URETHANE TIRE	-	-	1	-	-	1

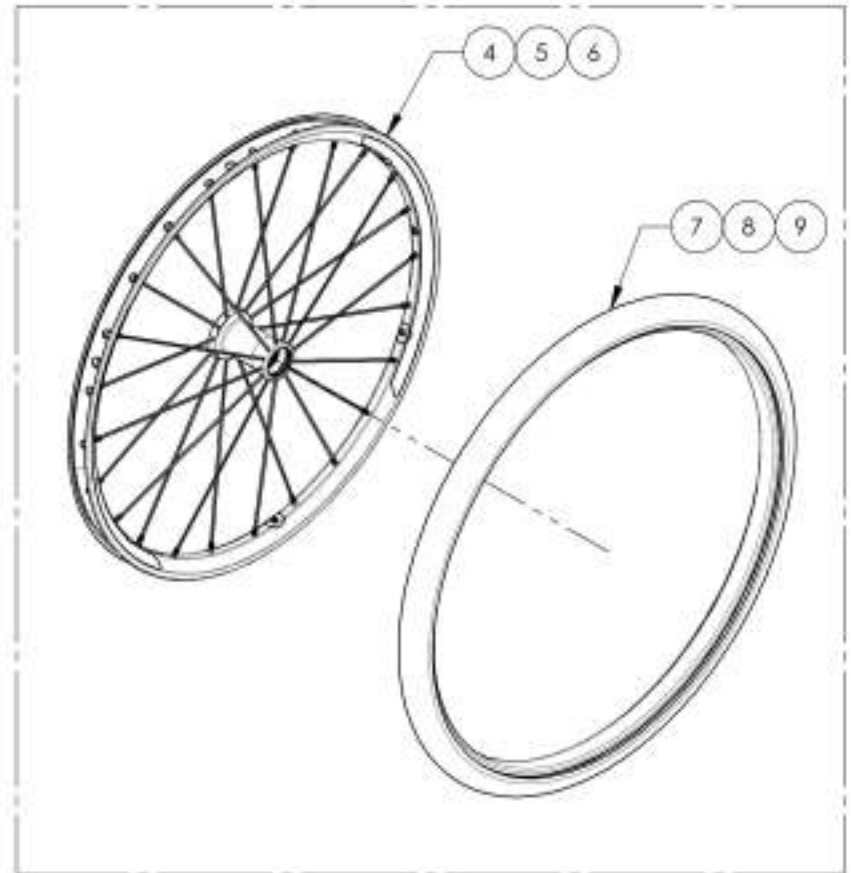
NEWTON ONE

9002499, 9002500 & 9002501



NEWTON GRAVITY

9002502, 9002503 & 9002504



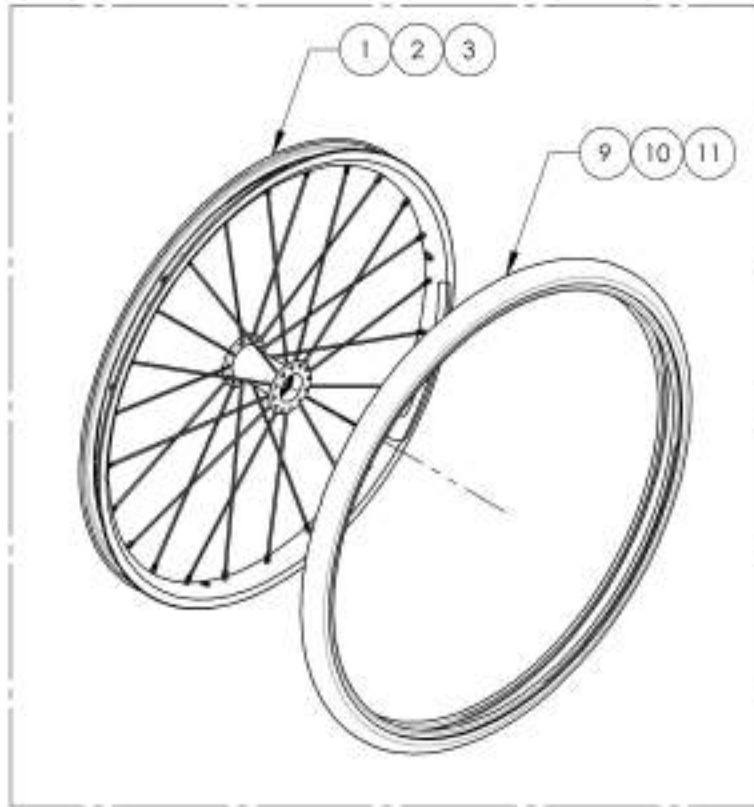
MAKE SURE TO HAVE YOUR SERIAL NUMBER NEARBY WHEN ORDERING PARTS FOR YOUR MOTION COMPOSITES WHEELCHAIR

9002497 & 9002505 9002510 & 9002519
Rear Wheel + HP Tire

ITEM NO.	PART NO	DESCRIPTION	9002497 /QTY.	9002505 /QTY.	9002506 /QTY.	9002507 /QTY.	9002508 /QTY.	9002509 /QTY.	9002510 /QTY.	9002519 /QTY.
1	21118	20 in NEWTON ONE WHEEL	1	-	-	-	-	-	-	-
2	21110	22 in NEWTON ONE WHEEL	-	1	-	-	-	-	-	-
3	21111	24 in NEWTON ONE WHEEL	-	-	1	-	-	-	-	-
4	21113	20" NEWTON GRAVITY WHEEL	-	-	-	1	-	-	-	-
5	21114	22" NEWTON GRAVITY WHEEL	-	-	-	-	1	-	-	-
6	21115	24" NEWTON GRAVITY WHEEL	-	-	-	-	-	1	-	-
7	21116	25" NEWTON GRAVITY WHEEL	-	-	-	-	-	-	1	-
8	21117	26" NEWTON GRAVITY WHEEL	-	-	-	-	-	-	-	1
9	21305	IRONCAP/RIGHTRUN 1" HP TIRE 20"	1	-	-	1	-	-	-	-
10	21306	IRONCAP/RIGHTRUN 1" HP TIRE 22"	-	1	-	-	1	-	-	-
11	21307	IRONCAP/RIGHTRUN 1" HP TIRE 24"	-	-	1	-	-	1	-	-
12	21308	IRONCAP/RIGHTRUN 1" HP TIRE 25"	-	-	-	-	-	-	1	-
13	21309	IRONCAP/RIGHTRUN 1" HP TIRE 26"	-	-	-	-	-	-	-	1

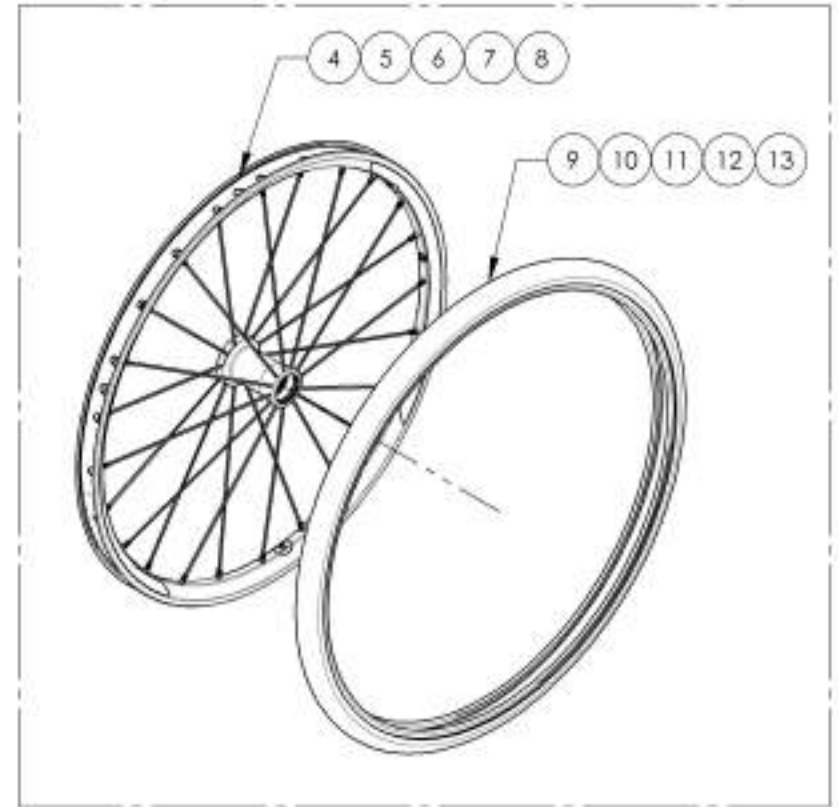
NEWTON ONE

9002497, 9002505 & 9002506



NEWTON GRAVITY

9002507, 9002508, 9002509 & 9002510



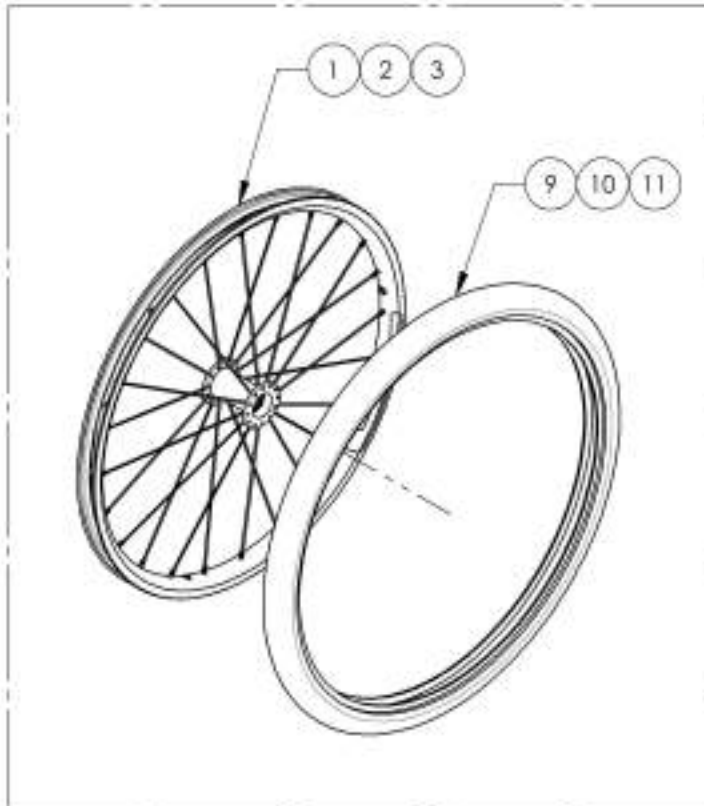
MAKE SURE TO HAVE YOUR SERIAL NUMBER NEARBY WHEN ORDERING PARTS FOR YOUR MOTION COMPOSITES WHEELCHAIR

9002498 & 9002511 9002516 & 9002520
Rear Wheel + Standard Pressure Tire

ITEM NO.	PARTNO	DESCRIPTION	9002498 /QTY.	9002511 /QTY.	9002512 /QTY.	9002513 /QTY.	9002514 /QTY.	9002515 /QTY.	9002520 /QTY.	9002516 /QTY.
1	21118	20in NEWTON ONE WHEEL	1	-	-	-	-	-	-	-
2	21110	22in NEWTON ONE WHEEL	-	1	-	-	-	-	-	-
3	21111	24in NEWTON ONE WHEEL	-	-	1	-	-	-	-	-
4	21113	20" NEWTON GRAVITY WHEEL	-	-	-	1	-	-	-	-
5	21114	22" NEWTON GRAVITY WHEEL	-	-	-	-	1	-	-	-
6	21115	24" NEWTON GRAVITY WHEEL	-	-	-	-	-	1	-	-
7	21116	25" NEWTON GRAVITY WHEEL	-	-	-	-	-	-	1	-
8	21117	26" NEWTON GRAVITY WHEEL	-	-	-	-	-	-	-	1
9	21315	20"x1 1/2" PNEUMATIC TIRE	1	-	-	1	-	-	-	-
10	21316	22"x1 1/2" PNEUMATIC TIRE	-	1	-	-	1	-	-	-
11	21317	24"x1 1/2" PNEUMATIC TIRE	-	-	1	-	-	1	-	-
12	21318	25"x1 1/2" PNEUMATIC TIRE	-	-	-	-	-	-	1	-
13	21319	26"x1 1/2" PNEUMATIC TIRE	-	-	-	-	-	-	-	1

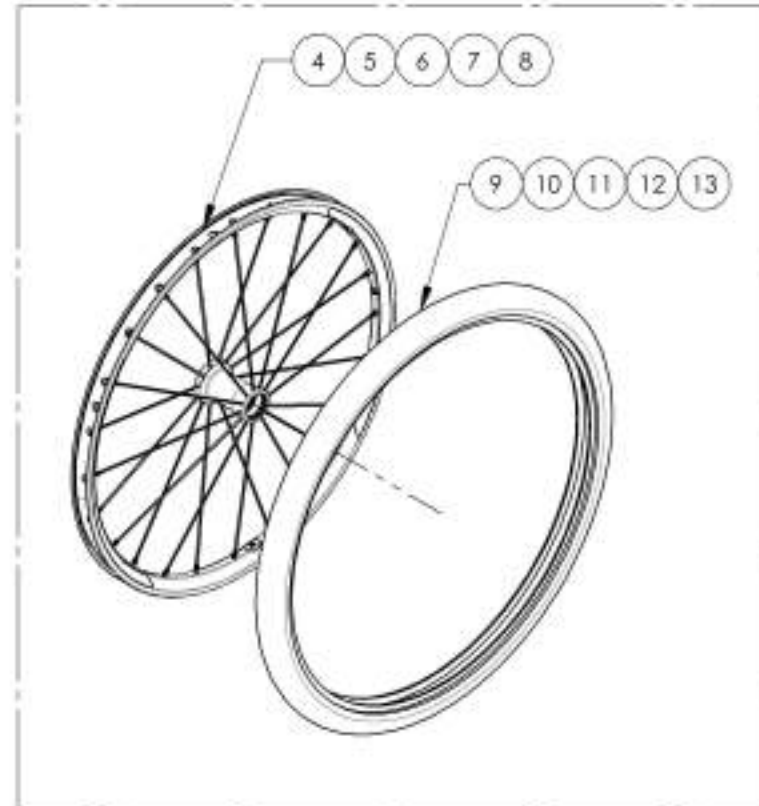
NEWTON ONE

9002498, 9002511 & 9002512



NEWTON GRAVITY

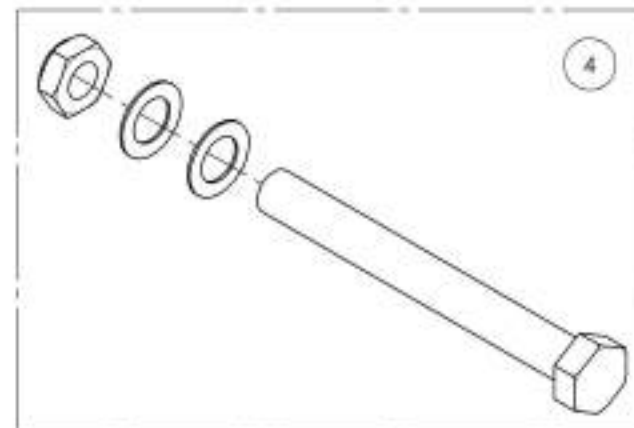
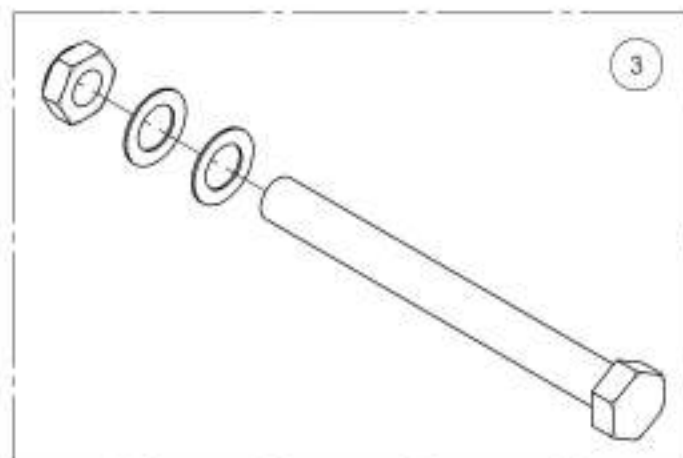
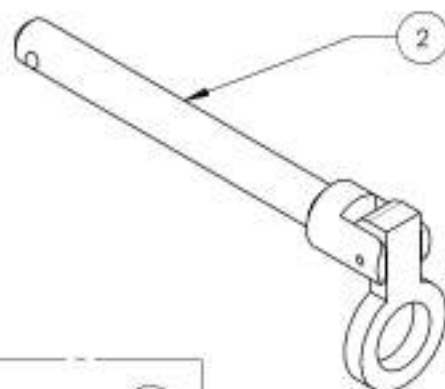
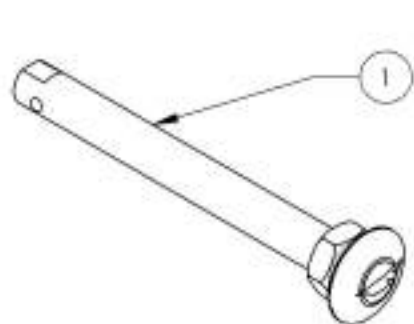
9002513, 9002514, 9002515, 9002520 & 9002516



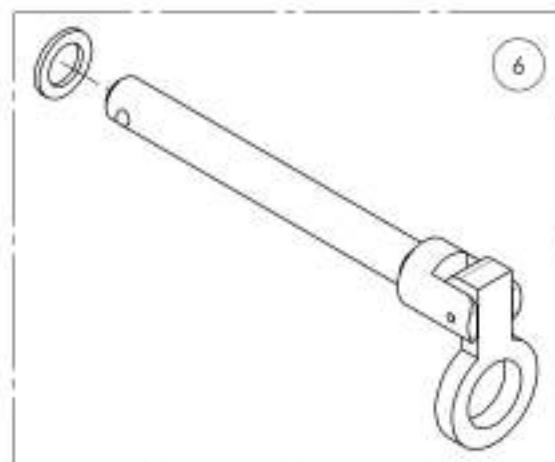
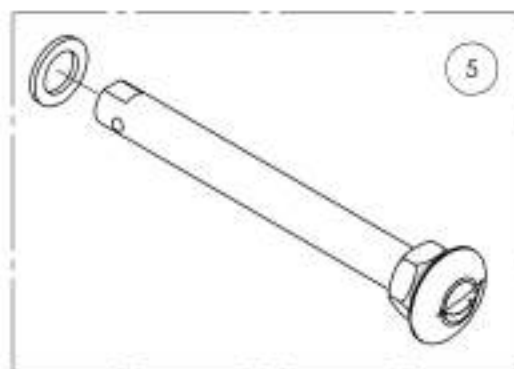
MAKE SURE TO HAVE YOUR SERIAL NUMBER NEARBY WHEN ORDERING PARTS FOR YOUR MOTION COMPOSITES WHEELCHAIR

Rear Wheels Catalogue
Quick Release & Permanent Axles

ITEM NO.	PARTNO	DESCRIPTION	QTY.
1	9001561	Wheel Axle - Quick Release	1
2	9001563	Wheel Axle - Quick Release	1
3	9001562	Wheel Axle - Permanent for Mag Wheels	1
4	9002956	Wheel Axle - Permanent	1
5	9002896	Wheel Axle - Quick Release, for Spinegy Spox & LX Wheels	1
6	9002897	Wheel Axle - Quick Release, for Spinegy Spox & LX Wheels	1



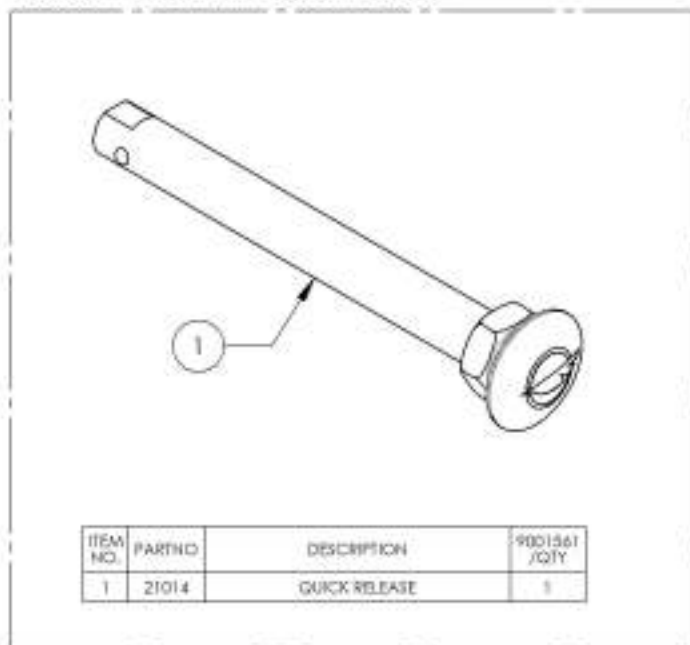
FOR SPINERGY SPOX & LX WHEELS ONLY



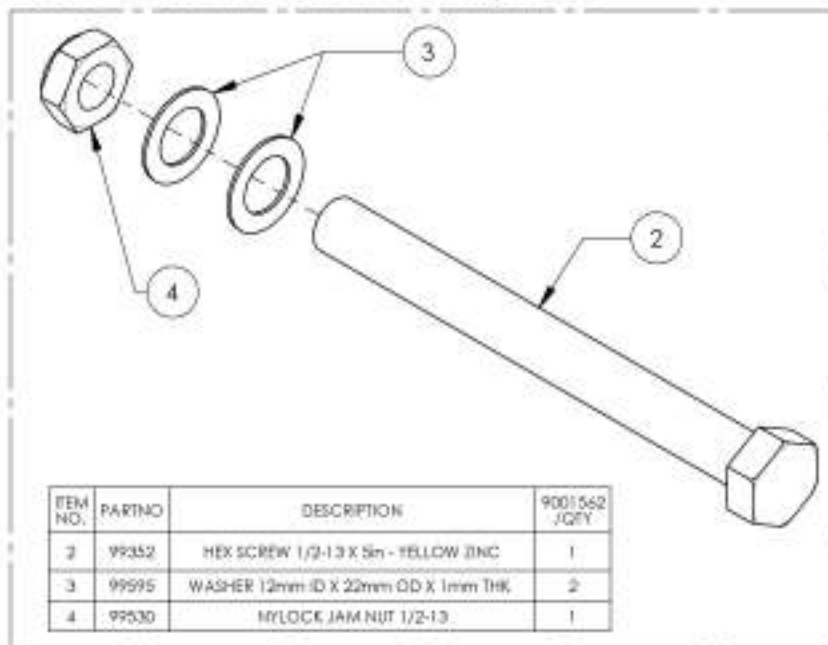
MAKE SURE TO HAVE YOUR SERIAL NUMBER
 NEARBY WHEN ORDERING PARTS FOR YOUR
 MOTION COMPOSITES WHEELCHAIR

9001561_9001563 & 9002956
Wheel Axles

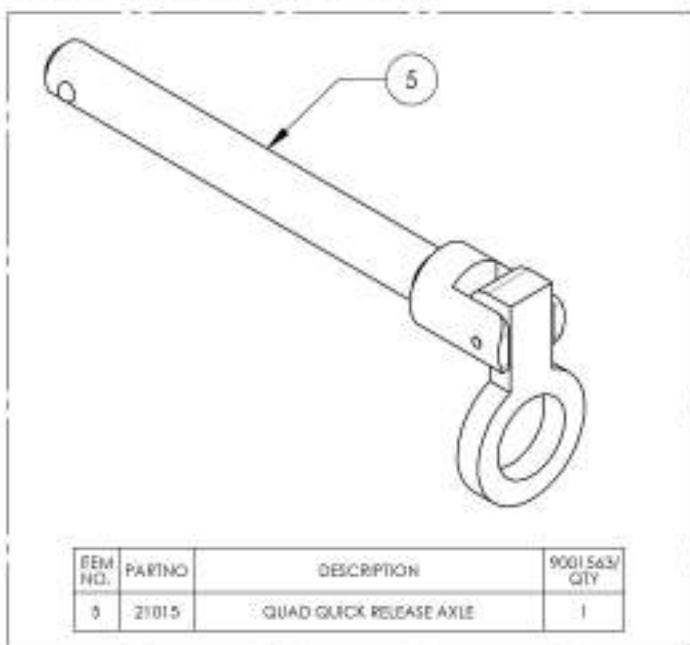
9001561 - Wheel Axle - Quick Release



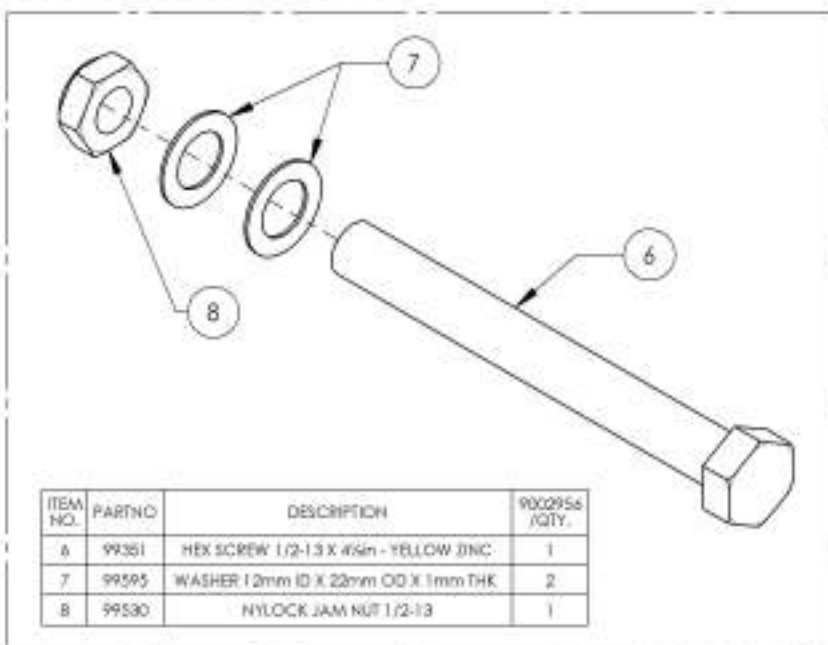
9001562 - Wheel Axle - Permanent for Mag Wheels



9001563 - Wheel Axle - Quad Release



9002956 - Wheel Axle - Permanent

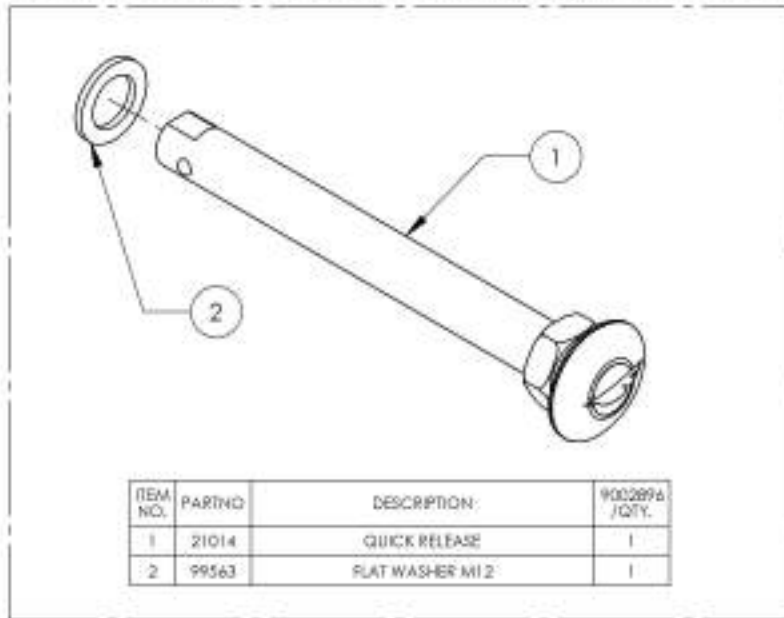


MAKE SURE TO HAVE YOUR SERIAL NUMBER NEARBY WHEN ORDERING PARTS FOR YOUR MOTION COMPOSITES WHEELCHAIR

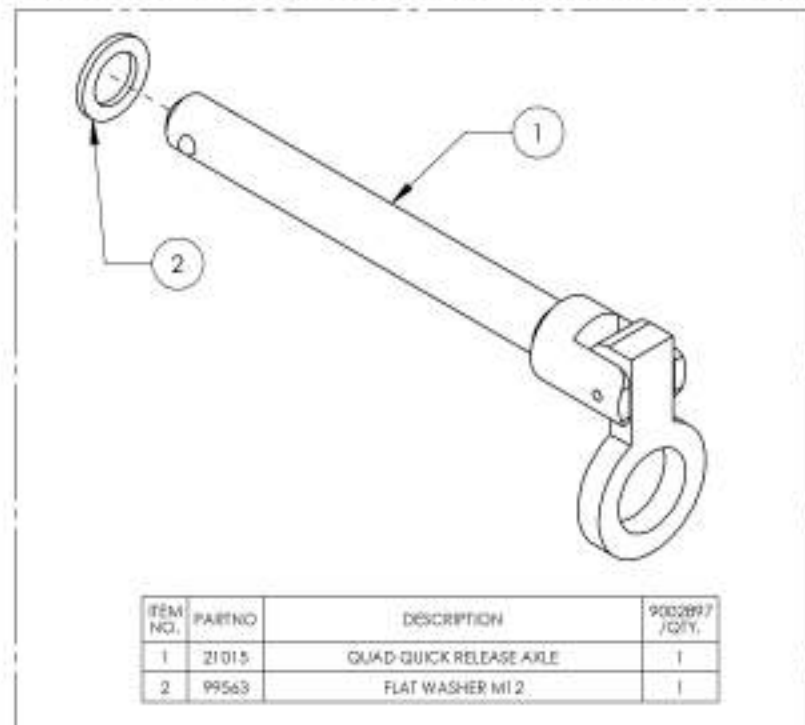
9002896_9002897

Wheel Axles for Spinerger SPOX & LX Wheels

9002896 - Wheel Axle - Quick Release, for Spinerger Spox & LX Wheels



9002897 - Wheel Axle - Quad Release, for Spinerger Spox & LX Wheels

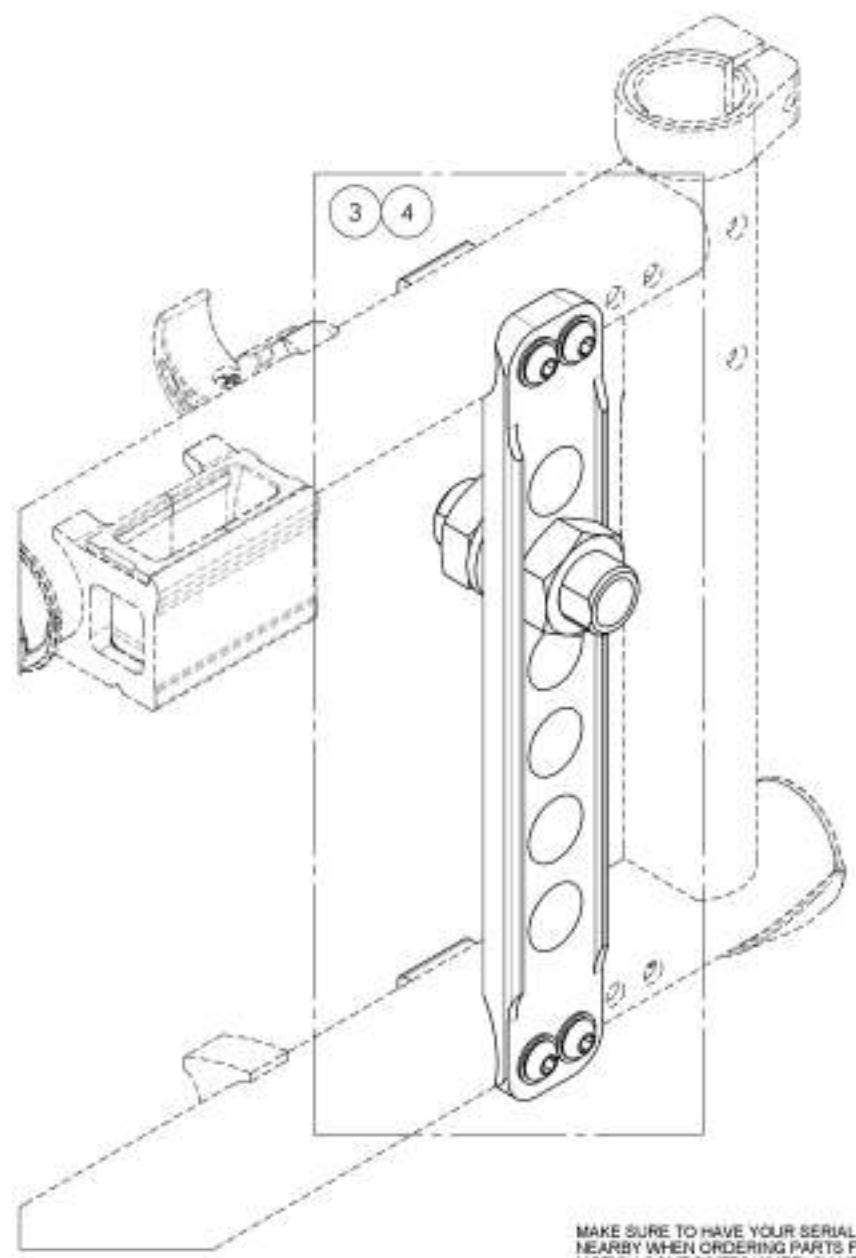
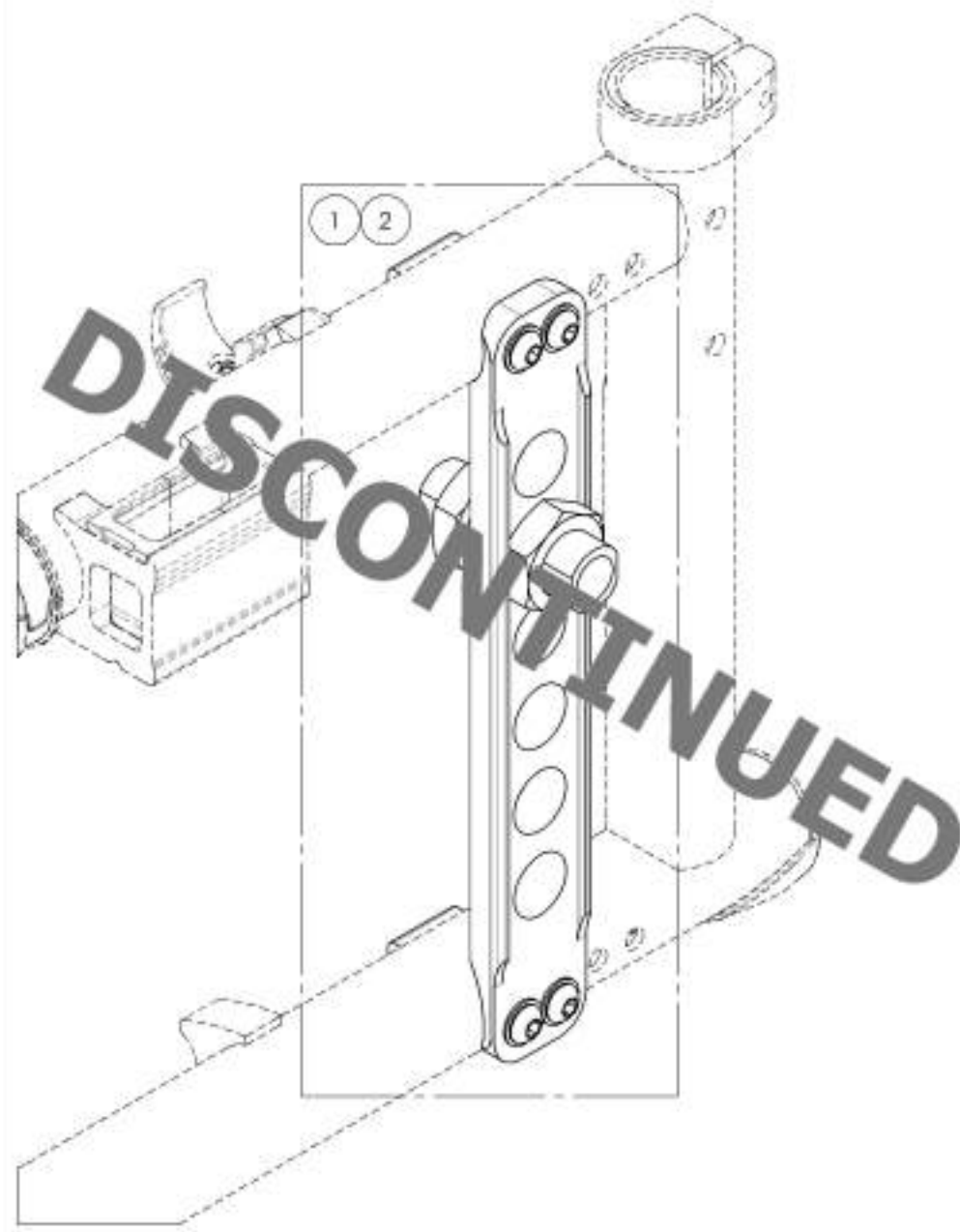


MAKE SURE TO HAVE YOUR SERIAL NUMBER NEARBY WHEN ORDERING PARTS FOR YOUR MOTION COMPOSITES WHEELCHAIR

Rear Wheels Catalogue
6 Positions Rear Wheel Mounting Plates

REPLACED BY #9001167 & #9001168

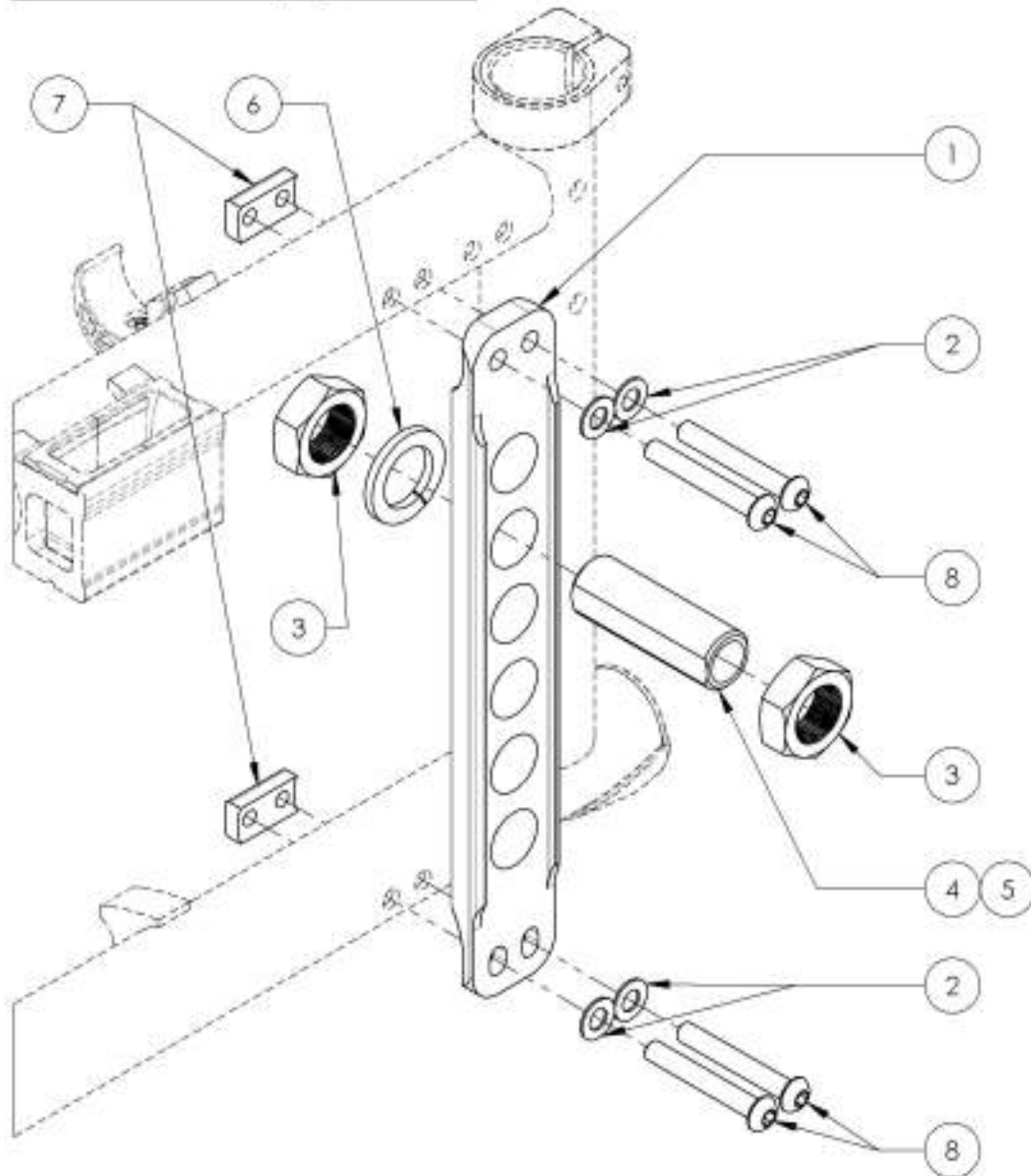
ITEM NO.	PARTNO	DESCRIPTION	QTY
1	9001571	DISCONTINUED	
2	9001572	DISCONTINUED	
3	9001167	Rear Wheel Mounting Plate T2 - 0° Camber Angle	1
4	9001168	Rear Wheel Mounting Plate T2 - 3° Camber Angle	1



MAKE SURE TO HAVE YOUR SERIAL NUMBER NEARBY WHEN ORDERING PARTS FOR YOUR MOTION COMPOSITES WHEELCHAIR

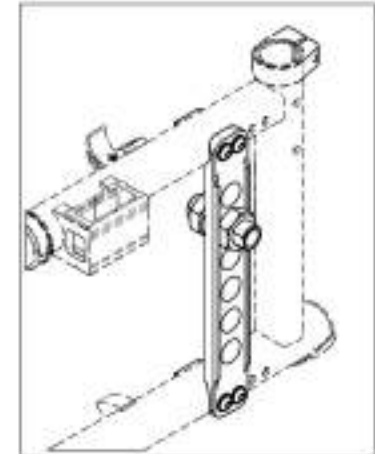
9001167_9001168
Rear Wheel Mounting Plate T2

**APPLICABLE ON WHEELCHAIRS
 SINCE 2017/01/16**

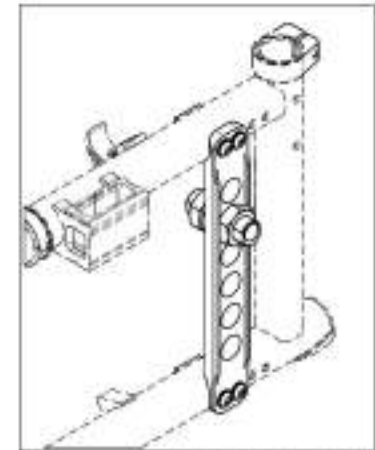


ITEM NO.	PARTNO	DESCRIPTION	9001167 /QTY.	9001168 /QTY.
1	21025	T2 MOUNTING PLATE	1	1
2	99560	WASHER 1/4 17/64 ID X 1/2 OD X .032 THK	4	4
3	91031	JAM NUT M18 x 1.0	2	2
4	21041	0° BUSHING M18x1	1	-
5	21042	3° BUSHING M18x1	-	1
6	99597	LOCK WASHER M18	1	1
7	21029	T2 MOUNTING PLATE THREADED RAIL	2	2
8	91040	BUTTON HEAD CAP SCREW M6X1 X 43mm LONG, 24mm THREADED + BLUE THREADLOCKER - BLACK DMC	4	4

9001167
 Rear Wheel Mounting Plate T2
 - 0° Camber Angle



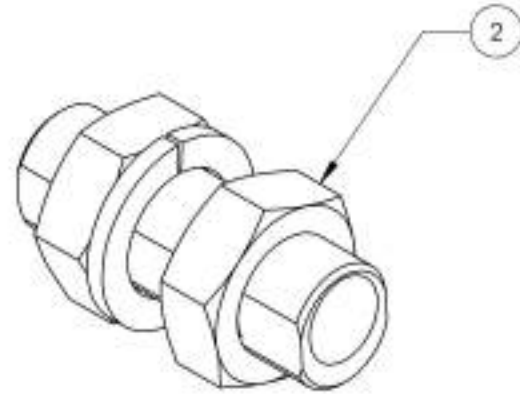
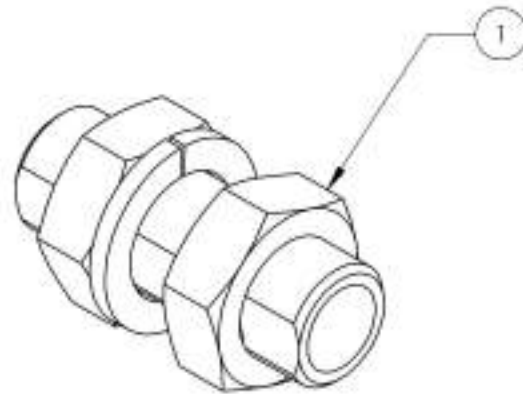
9001168
 Rear Wheel Mounting Plate T2
 - 3° Camber Angle



MAKE SURE TO HAVE YOUR SERIAL NUMBER
 NEARBY WHEN ORDERING PARTS FOR YOUR
 MOTION COMPOSITES WHEELCHAIR

Rear Wheel Catalogue
Rear Bushing Assembly

ITEM NO.	PARTNO	DESCRIPTION	QTY.
1	9002444	Rear Wheel - 0" Axle Bushing + Hardware	1
2	9002445	Rear Wheel - 3" Axle Bushing + Hardware	1

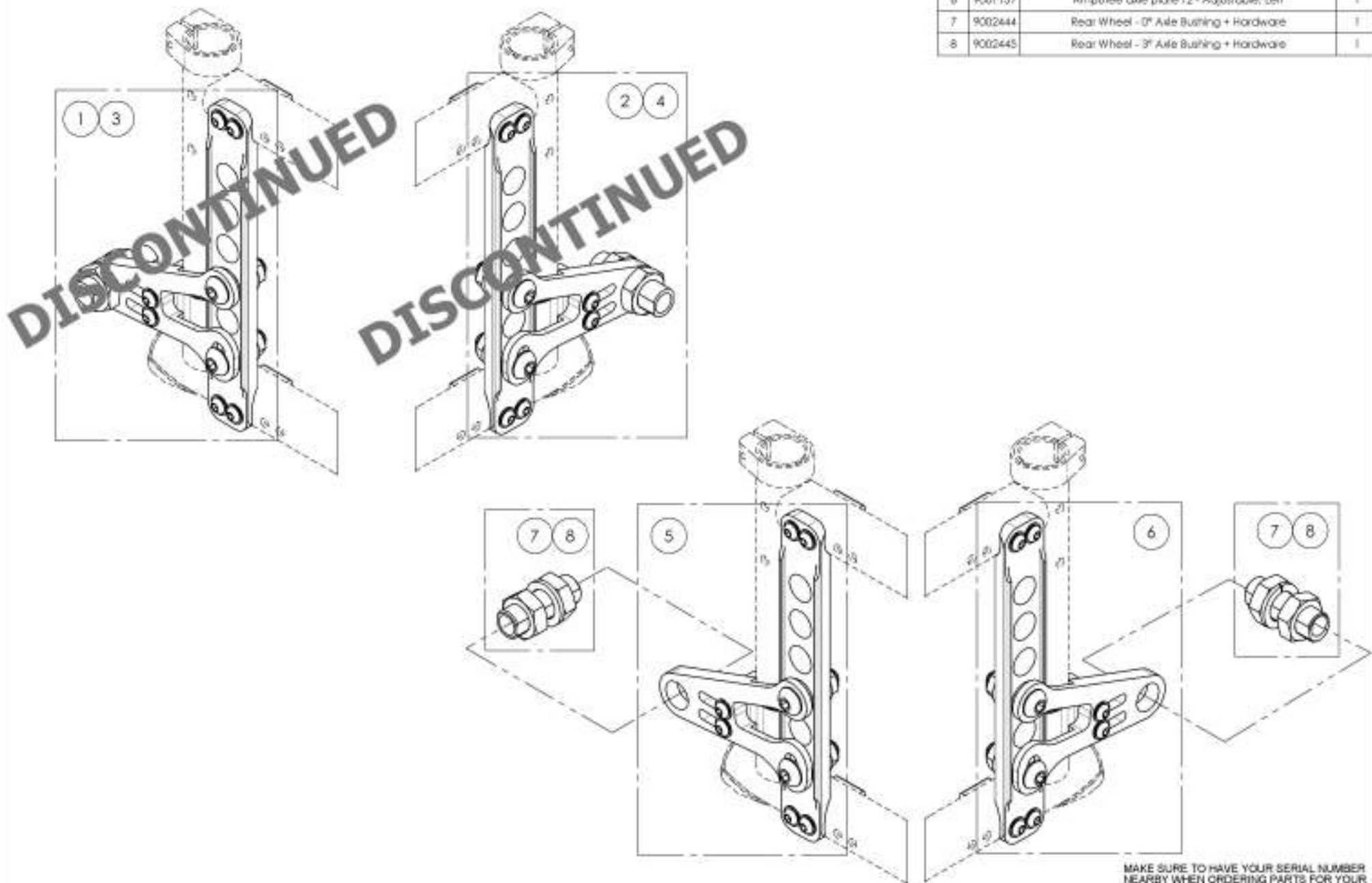


MAKE SURE TO HAVE YOUR SERIAL NUMBER
NEARBY WHEN ORDERING PARTS FOR YOUR
MOTION COMPOSITES WHEELCHAIR

Rear Wheels Catalogue
Amputee Adjustable Axle Plates for 6 Positions Rear Wheel Mounting Plate

REPLACED BY #9001155 & #9001157

ITEM NO.	PARTNO	DESCRIPTION	QTY.
1	9001177	Amputee Axle Plate - Adjustable, Right, 0° Camber	1
2	9001179	Amputee Axle Plate - Adjustable, Left, 0° Camber	1
3	9001178	Amputee Axle Plate - Adjustable, Right, 3° Camber	1
4	9001180	Amputee Axle Plate - Adjustable, Left, 3° Camber	1
5	9001155	Amputee Axle Plate T2 - Adjustable, Right	1
6	9001157	Amputee axle plate T2 - Adjustable, Left	1
7	9002444	Rear Wheel - 0° Axle Bushing + Hardware	1
8	9002445	Rear Wheel - 3° Axle Bushing + Hardware	1

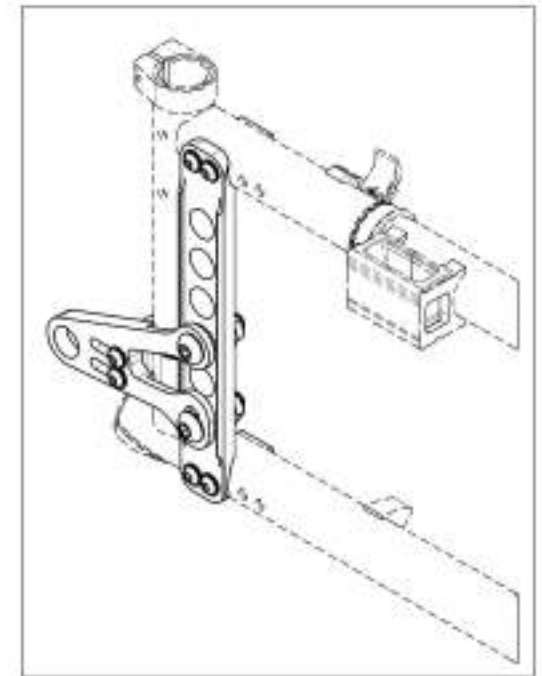
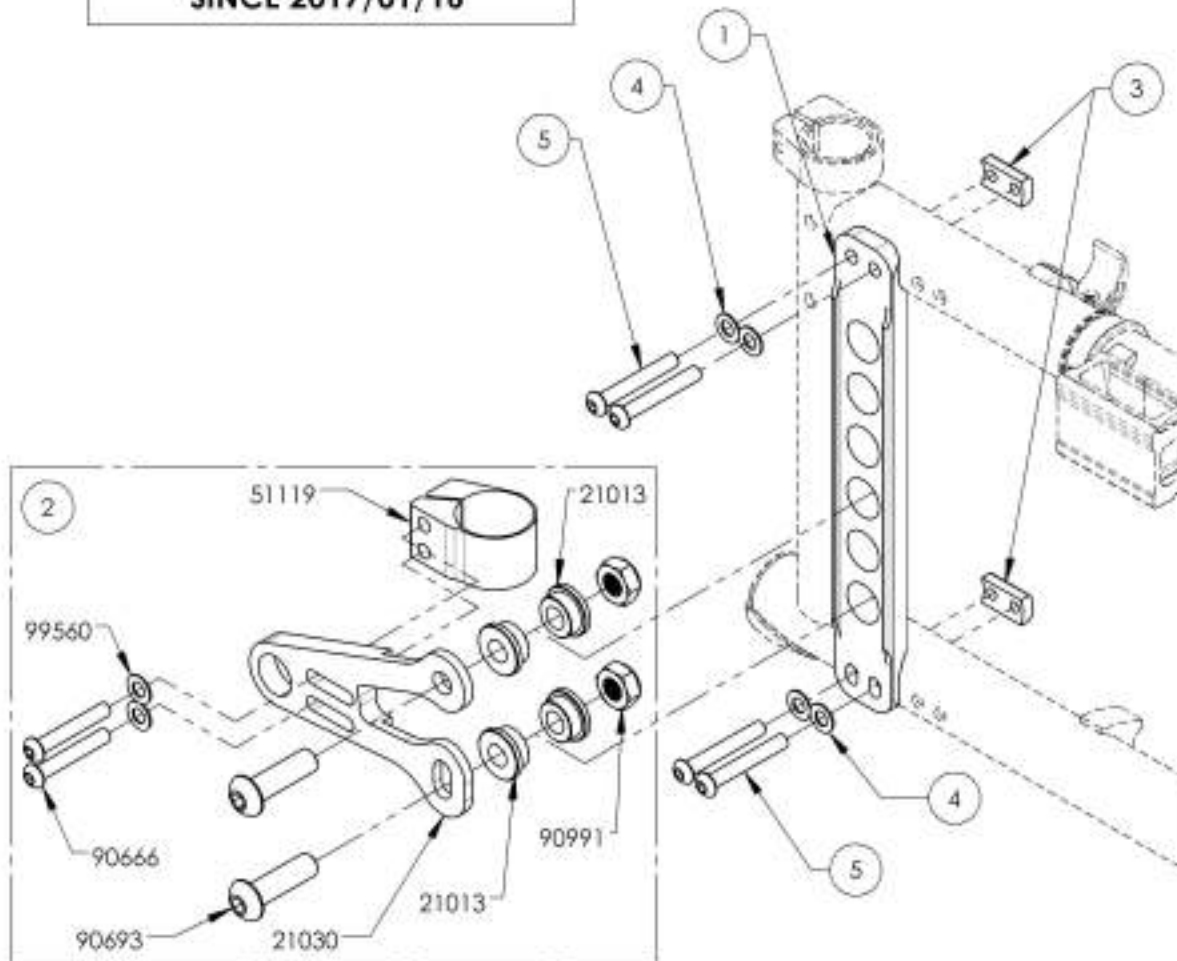


MAKE SURE TO HAVE YOUR SERIAL NUMBER
 NEARBY WHEN ORDERING PARTS FOR YOUR
 MOTION COMPOSITES WHEELCHAIR

9001155
Amputee Axle Plate T2 - Adjustable, Right

ITEM NO.	PARTNO	DESCRIPTION	9001155 QTY.
1	21028	T2 MOUNTING PLATE	1
2	21715	RIGHT AMPUTEK0 V1 - ASSEMBLY	1
3	21029	T2 MOUNTING PLATE THREADED RAIL	2
4	99560	WASHER 1/4 17/64 ID X 1/2 OD X .032 THK	4
5	91040	BUTTON HEAD CAP SCREW M6X1 X 43mm LONG, 24mm THREADED + BLUE THREADLOCKER - BLACK ZINC	4

**APPLICABLE ON WHEELCHAIRS
 SINCE 2017/01/16**

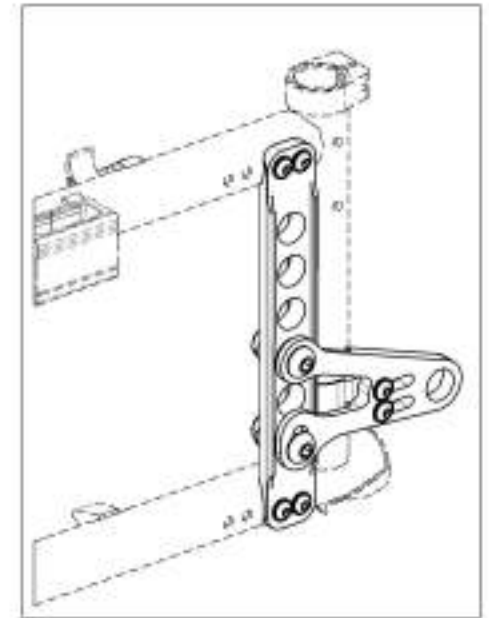
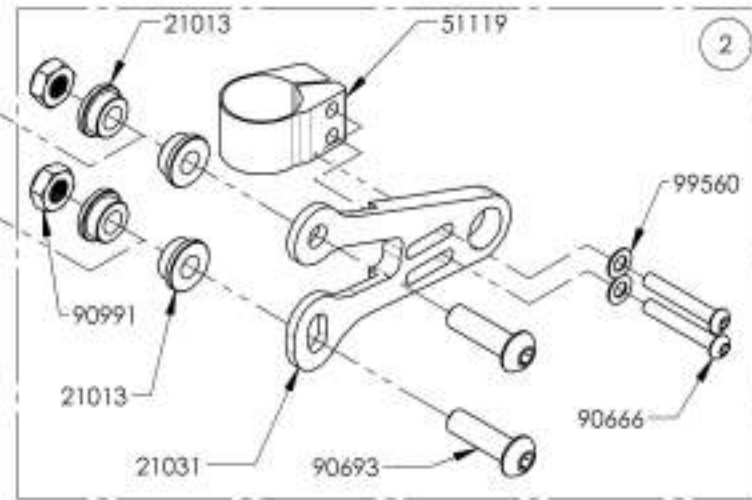
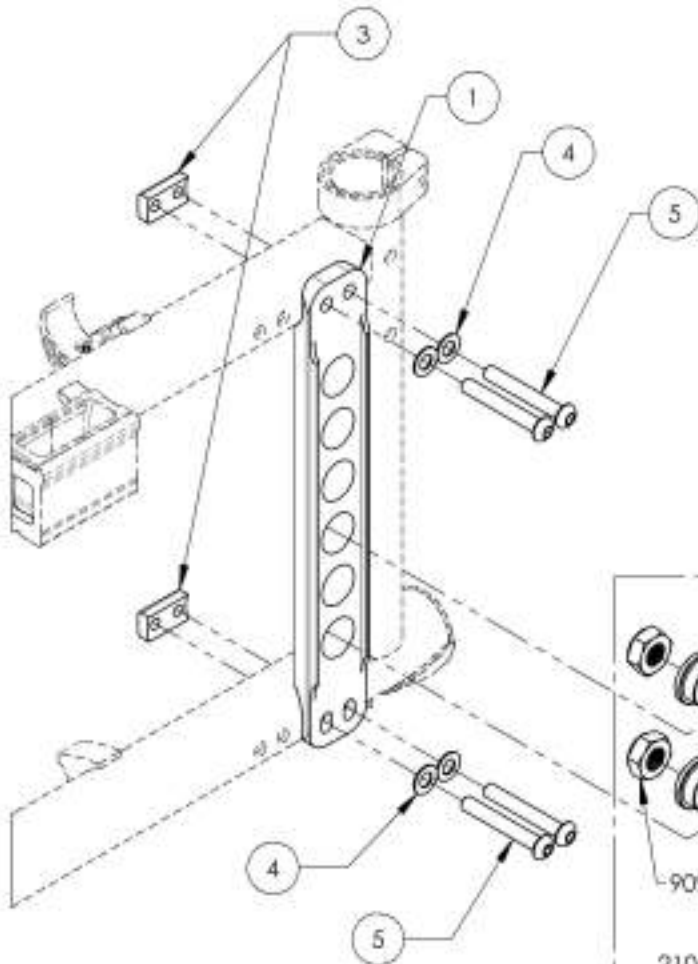


MAKE SURE TO HAVE YOUR SERIAL NUMBER
 NEARBY WHEN ORDERING PARTS FOR YOUR
 MOTION COMPOSITES WHEELCHAIR

9001157
Amputee axle plate T2 - Adjustable, Left

ITEM NO.	PARTNO	DESCRIPTION	9001157 QTY.
1	21028	T2 MOUNTING PLATE	1
2	21756	LEFT AMPUTE KIT V1 - ASSEMBLY	1
3	21029	T2 MOUNTING PLATE THREADED RAIL	2
4	99560	WASHER 1/4 17/64 ID X 1/2 OD X .032 THK	4
5	91040	BUTTON HEAD CAP SCREW (M6X1 X 43mm LONG, 24mm THREADED + BLUE THREADLOCKER - BLACK ZINC	4

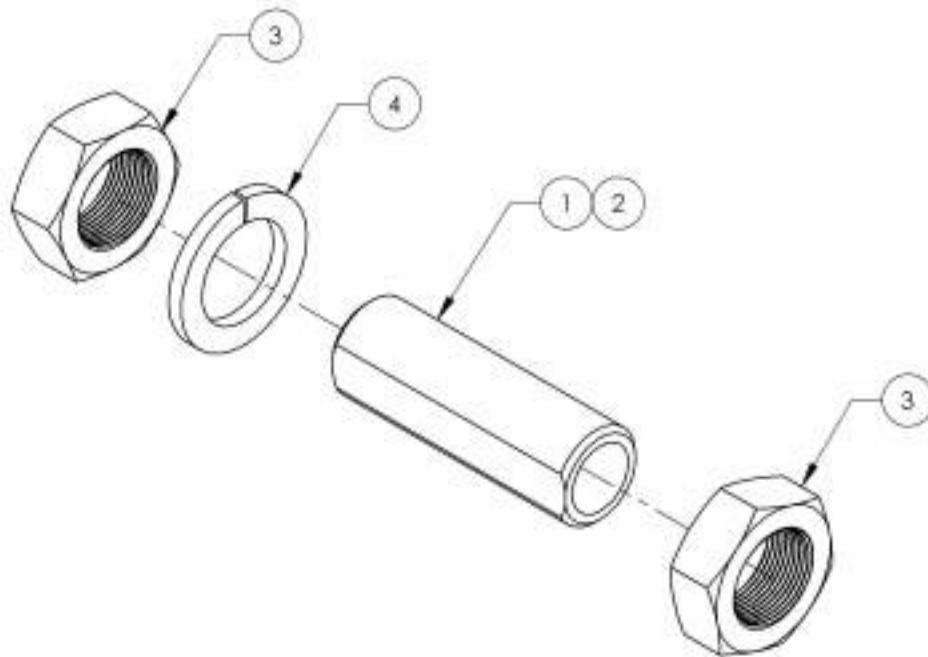
**APPLICABLE ON WHEELCHAIRS
 SINCE 2017/01/16**



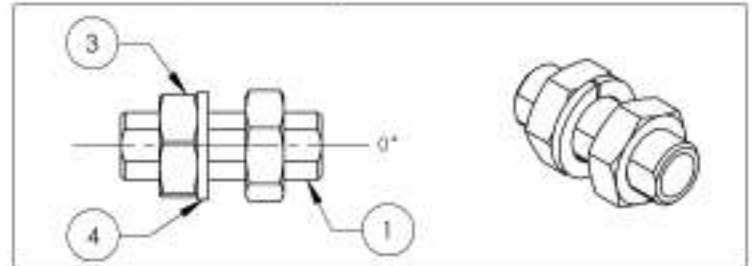
MAKE SURE TO HAVE YOUR SERIAL NUMBER
 NEARBY WHEN ORDERING PARTS FOR YOUR
 MOTION COMPOSITES WHEELCHAIR

9002444_9002445
Rear Wheel - Axle Bushing + Hardware

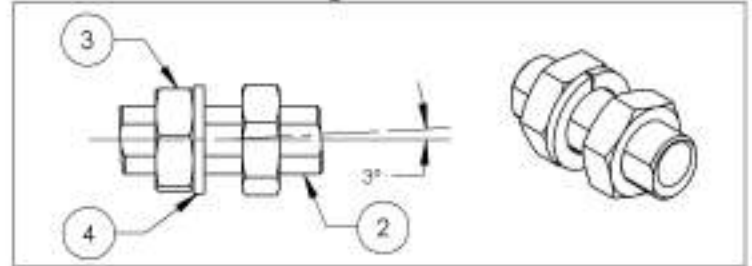
ITEM NO.	PARTNO	DESCRIPTION	9002444 /QTY.	9002445 /QTY.
1	21041	0 DEG BUSHING M18x1	1	-
2	21042	3° BUSHING M18x1	-	1
3	91031	JAW NUT M18 x 1.0	2	2
4	99997	LOCK WASHER M18	1	1



9002444
 Rear Wheel - 0° Axle Bushing + Hardware



9002445
 Rear Wheel - 3° Axle Bushing + Hardware

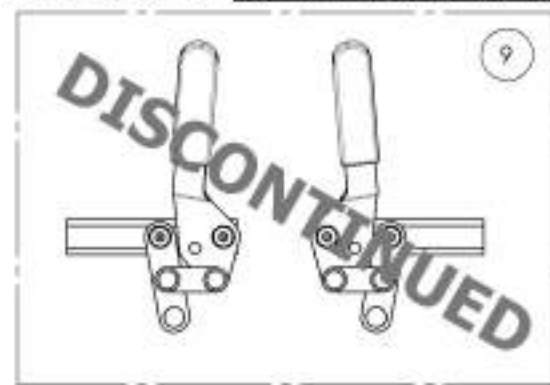
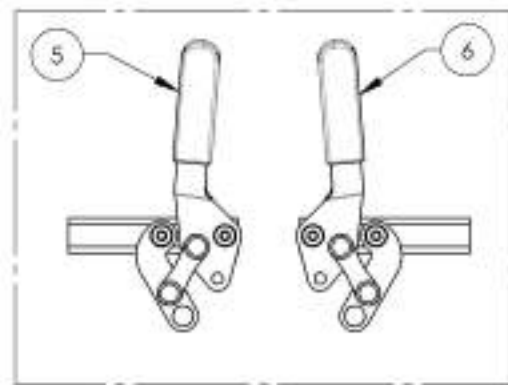
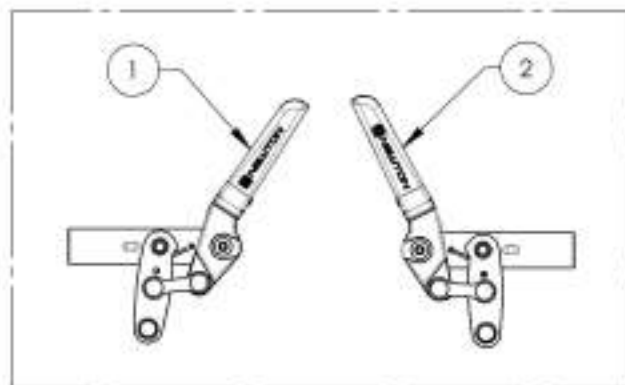


MAKE SURE TO HAVE YOUR SERIAL NUMBER
 NEARBY WHEN ORDERING PARTS FOR YOUR
 MOTION COMPOSITES WHEELCHAIR

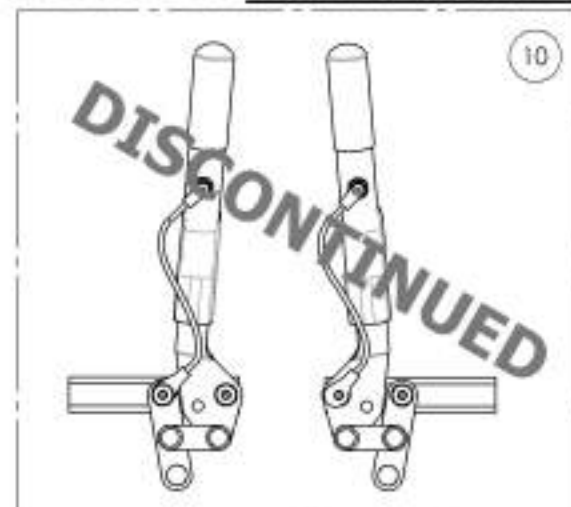
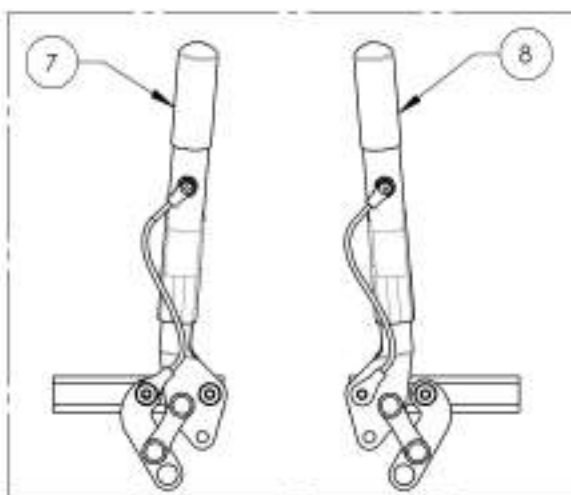
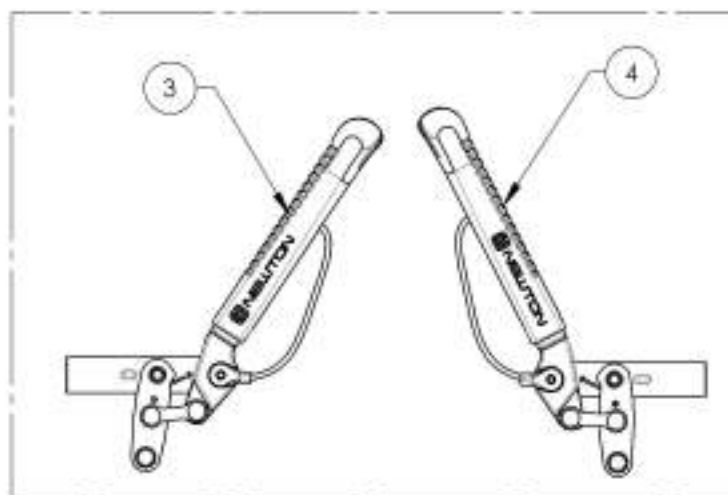
Wheel Locks Catalogue
Wheel Lock - Push & Pull

ITEM NO.	PARTNO	DESCRIPTION	QTY.
1	9002216	Wheel Lock - Newton Spring Loaded Push to lock, Right	1
2	9002217	Wheel Lock - Newton Spring Loaded Push to lock, Left	1
3	9002218	Wheel Lock - Newton Spring Loaded Push to lock, 6 in Removable Extension Handle, Right	1
4	9002219	Wheel Lock - Newton Spring Loaded Push to lock, 6 in Removable Extension Handle, Left	1
5	9001128	Wheel Lock - Pull to Lock, Right	1
6	9001129	Wheel Lock - Pull to Lock, Left	1
7	9001130	Wheel Lock - Pull to Lock, 6 in Removable Extension Handle, Right	1
8	9001131	Wheel Lock - Pull to Lock, 6 in Removable Extension Handle, Left	1
9	9001573	DISCONTINUED	1
10	9001575	DISCONTINUED	1

REPLACED BY #9002216 & #9002217



REPLACED BY #9002218 & #9002219

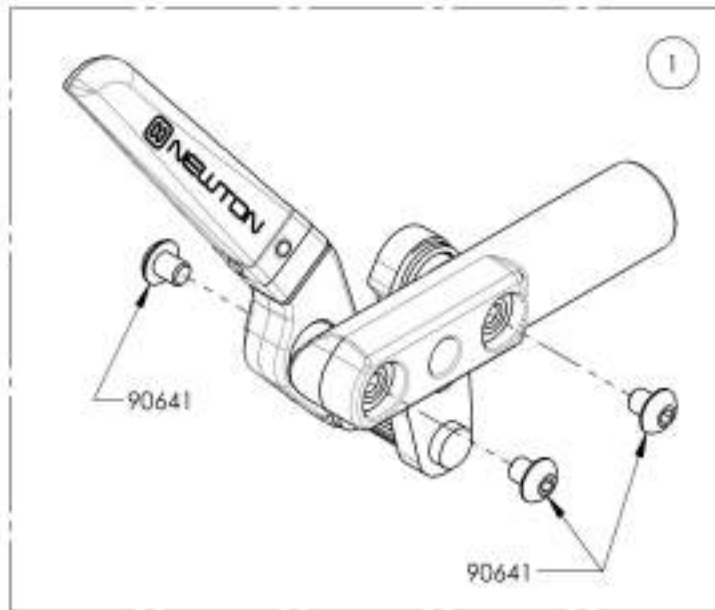


MAKE SURE TO HAVE YOUR SERIAL NUMBER
 NEARBY WHEN ORDERING PARTS FOR YOUR
 MOTION COMPOSITES WHEELCHAIR

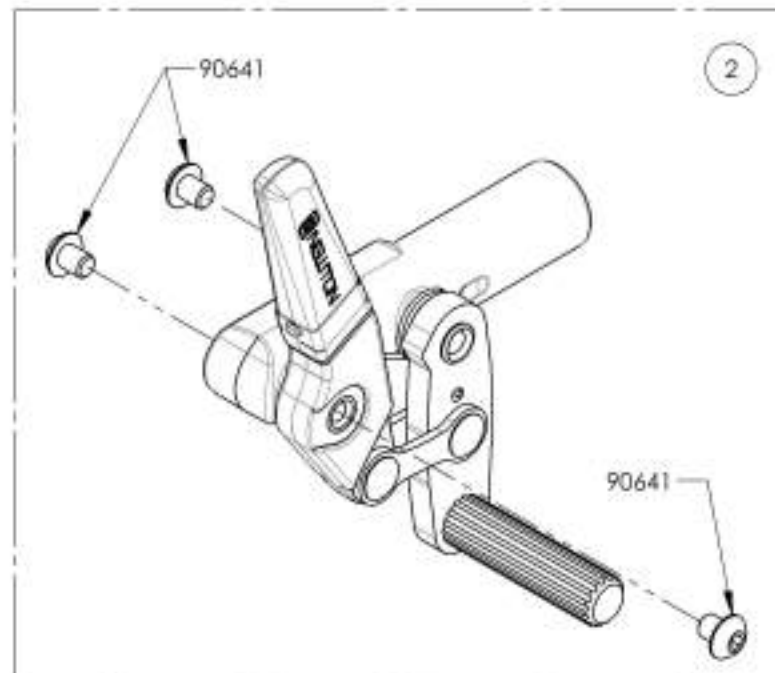
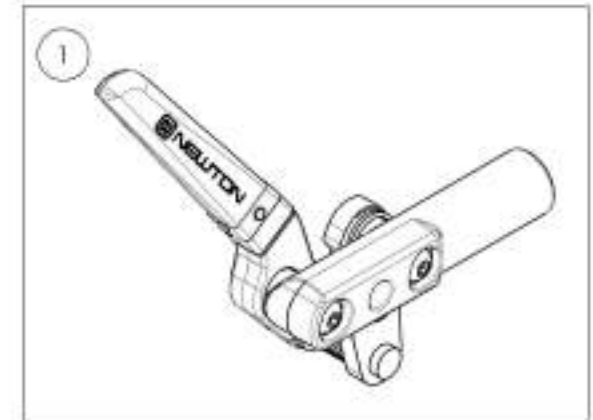
9002216_9002217

Wheel Lock - Newton Spring Loaded Push to lock

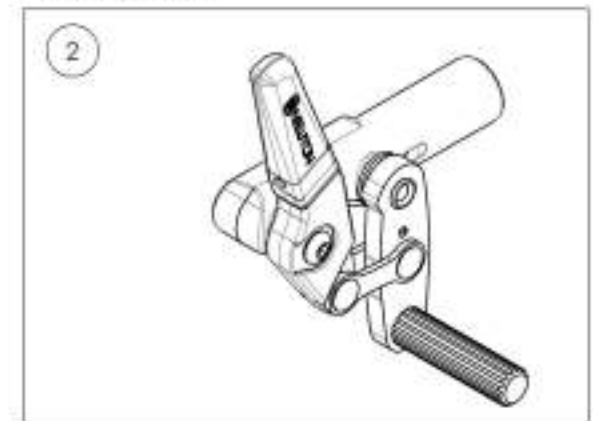
ITEM NO.	PARTNO	DESCRIPTION	9002216 /QTY.	9002217 /QTY.
1	41057	NEWTON PUSH SPRING WHEEL LOCK, RIGHT - ASSY	1	-
2	41056	NEWTON PUSH SPRING WHEEL LOCK, LEFT - ASSY	-	1



9002216
Wheel Lock - Newton Spring Loaded
Push to lock, Right



9002217
Wheel Lock - Newton Spring Loaded
Push to lock, Left

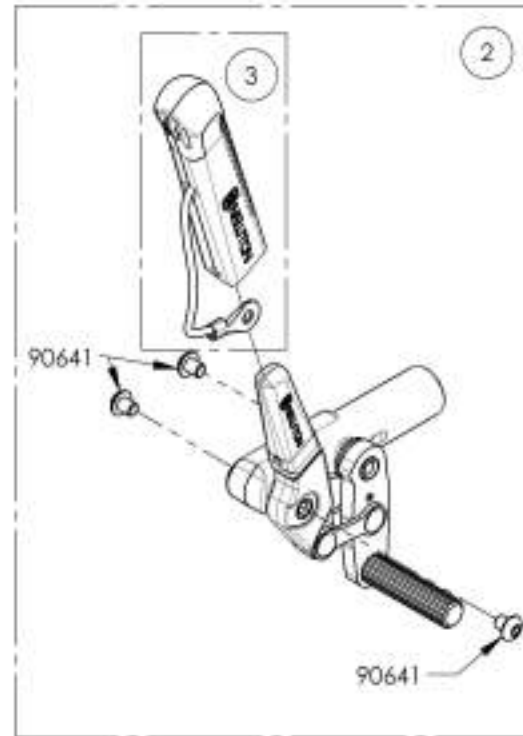
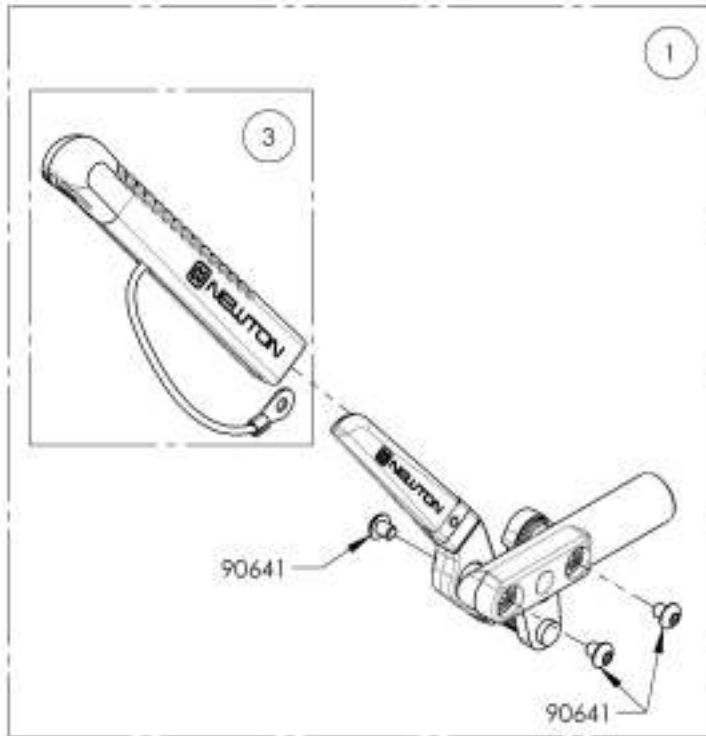


MAKE SURE TO HAVE YOUR SERIAL NUMBER
NEARBY WHEN ORDERING PARTS FOR YOUR
MOTION COMPOSITES WHEELCHAIR

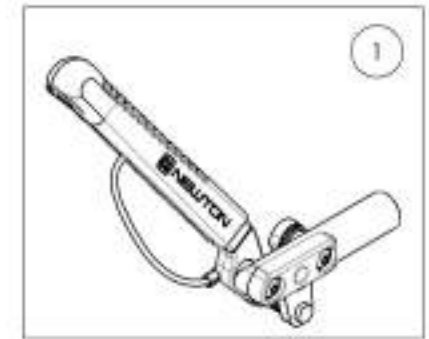
9002218_9002219

**Wheel Lock - Newton Spring Loaded Push to lock,
6 in Removable Extension Handle**

ITEM NO.	PARTNO	DESCRIPTION	9002218 /QTY.	9002219 /QTY.	REPLACEMENT PARTS/QTY.
1	41052	NEWTON PUSH SPRING WHEEL LOCK + EXTENSION, RIGHT - ASSY	1	-	-
2	41051	NEWTON PUSH SPRING WHEEL LOCK + EXTENSION, LEFT - ASSY	-	1	-
3	41500	NEWTON REMOVABLE EXTENSION HANDLE - ASSEMBLY	-	-	1



9002218
Wheel Lock - Newton Spring
Loaded Push to lock, 6 in
Removable Extension Handle



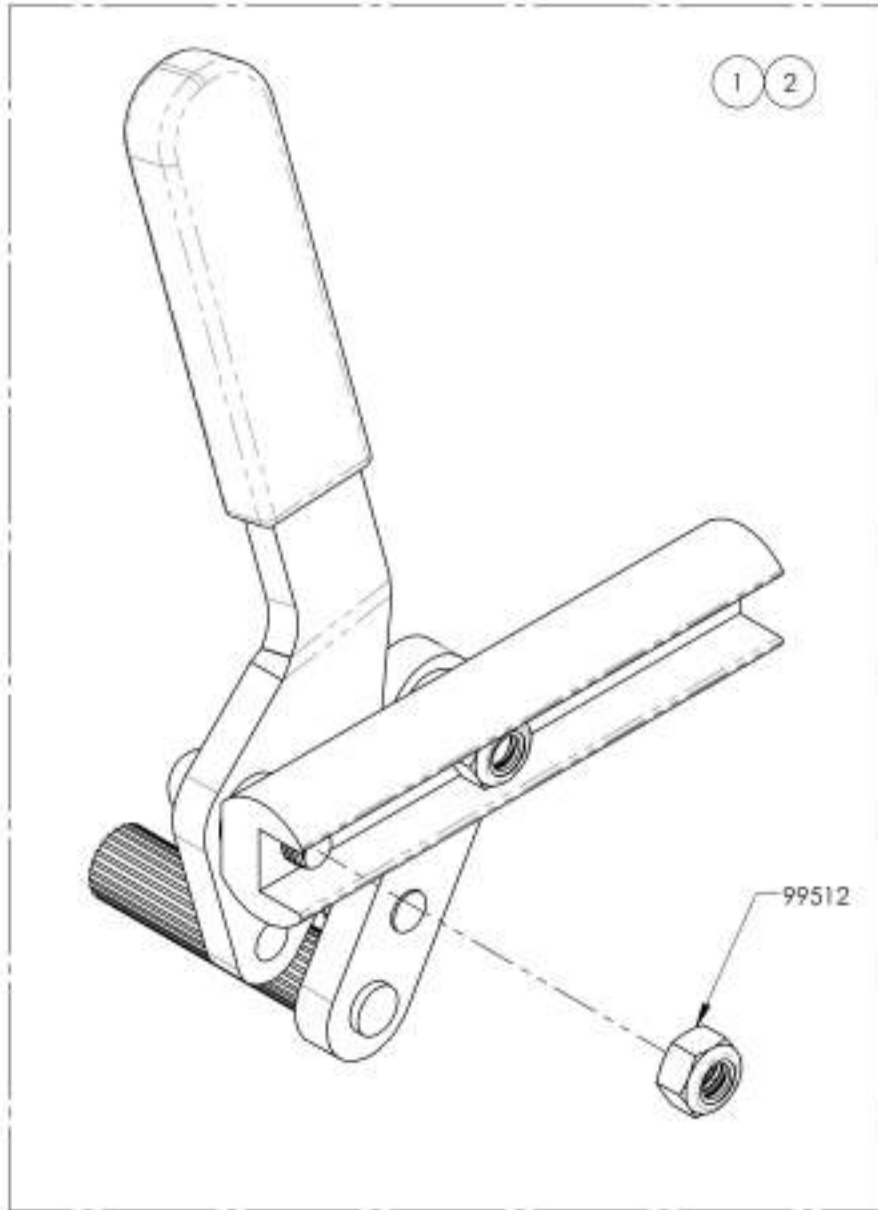
9002219
Wheel Lock - Newton Spring
Loaded Push to lock, 6 in
Removable Extension Handle



MAKE SURE TO HAVE YOUR SERIAL NUMBER
NEARBY WHEN ORDERING PARTS FOR YOUR
MOTION COMPOSITES WHEELCHAIR

9001128_9001129
Wheel Lock - Pull to Lock

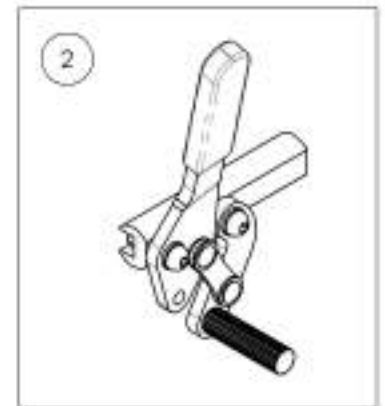
ITEM NO.	PARTNO	DESCRIPTION	9001128 /QTY.	9001129 /QTY.
1	4107B	PULL TO LOCK WHEEL LOCK, RIGHT	1	-
2	4107Y	PULL TO LOCK WHEEL LOCK, LEFT	-	1



9001128
 Wheel Lock - Pull to Lock, Right



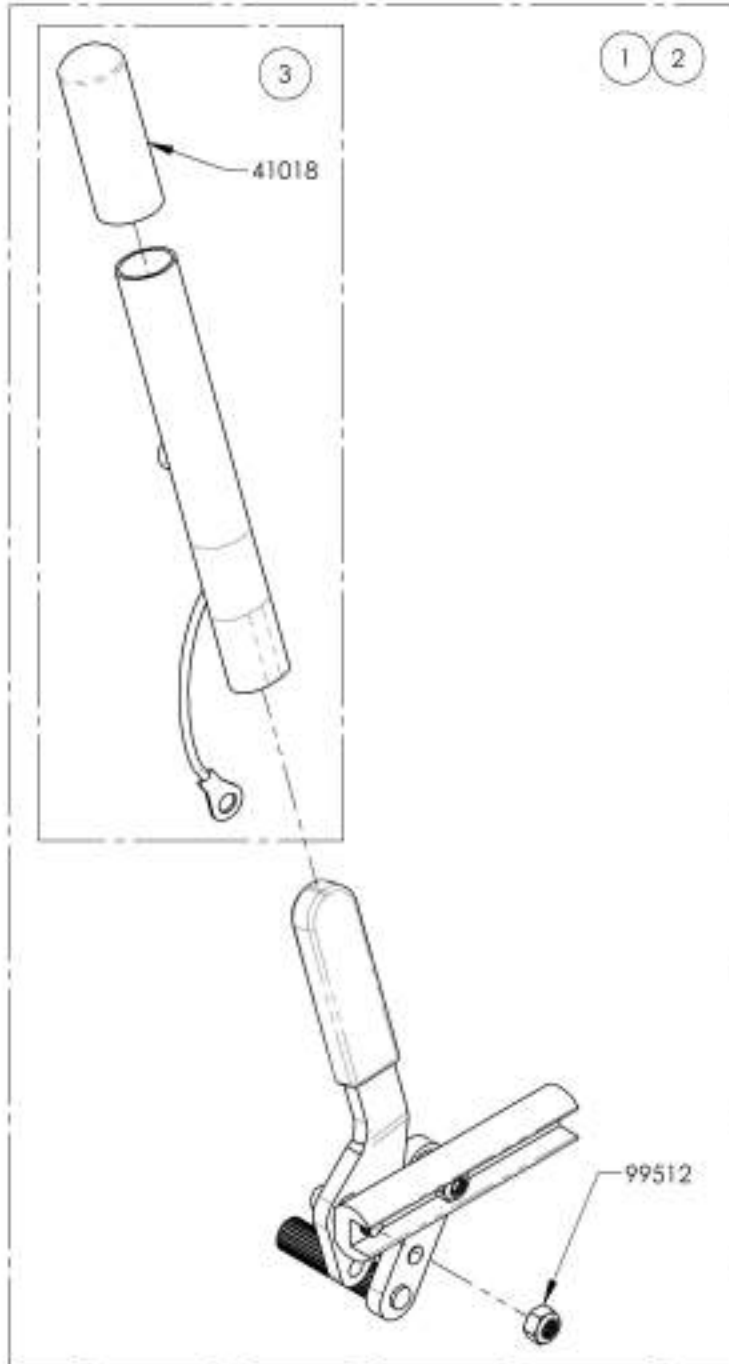
9001129
 Wheel Lock - Pull to Lock, Left



MAKE SURE TO HAVE YOUR SERIAL NUMBER
 NEARBY WHEN ORDERING PARTS FOR YOUR
 MOTION COMPOSITES WHEELCHAIR

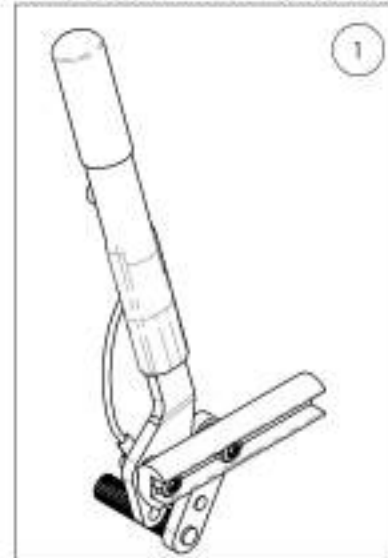
9001130_9001131

Wheel Lock - Pull to Lock, 6 in Removable Extension Handle

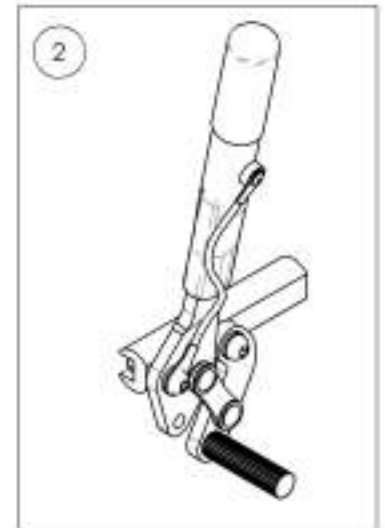


ITEM NO.	PARTNO	DESCRIPTION	9001130 /QTY.	9001131 /QTY.	REPLACEMENT PARTS/QTY.
1	41080	PULL TO LOCK WHEEL LOCK + EXTENSION, RIGHT	1	-	-
2	41081	PULL TO LOCK WHEEL LOCK + EXTENSION, LEFT	-	1	-
3	41005	REMOVABLE EXTENSION HANDLE	-	-	1

9001130
Wheel Lock - Pull to Lock, 6 in
Removable Extension Handle, Right



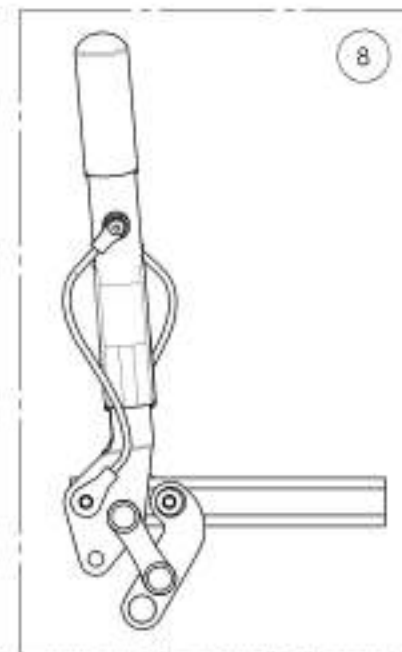
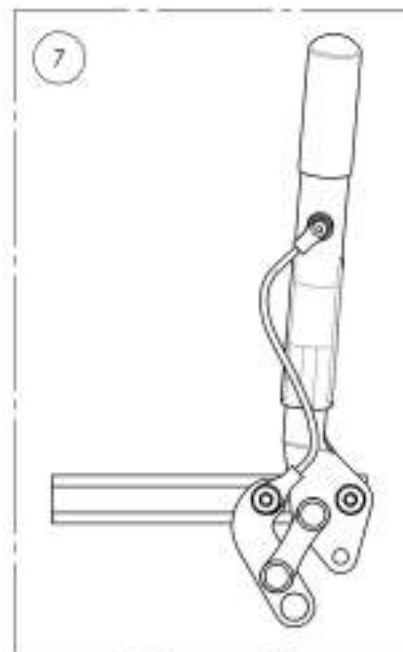
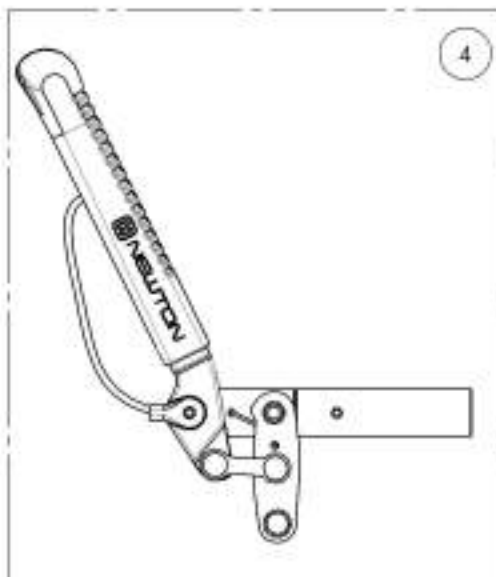
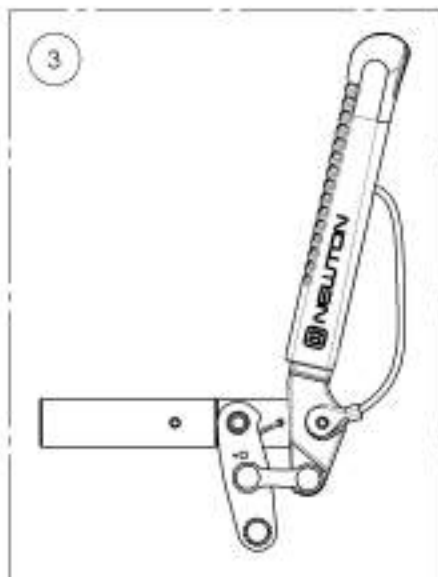
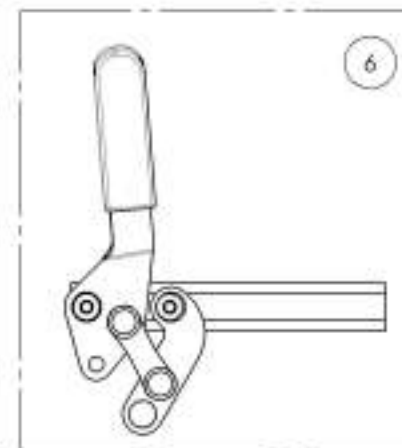
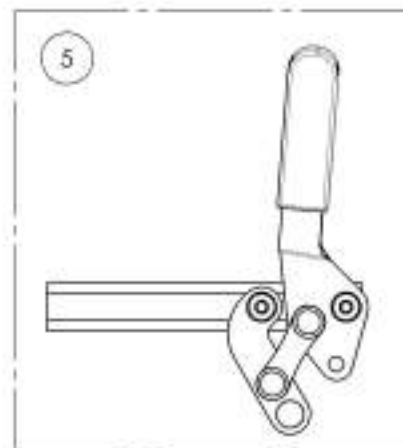
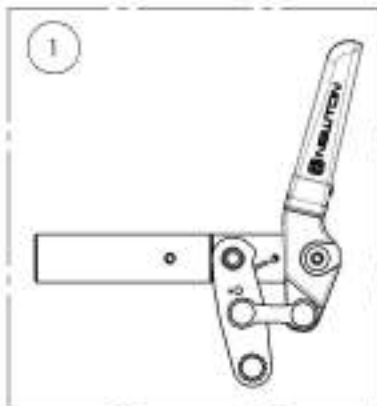
9001131
Wheel Lock - Pull to Lock, 6 in
Removable Extension Handle, Left



MAKE SURE TO HAVE YOUR SERIAL NUMBER NEARBY WHEN ORDERING PARTS FOR YOUR MOTION COMPOSITES WHEELCHAIR

Wheel Locks Catalogue
Wheel Lock - Push & Pull with Extended Rail

ITEM NO.	PARTNO	DESCRIPTION	QTY.
1	9003025	Wheel Lock - Newton Spring Loaded Push to Lock, Extended Rail, Right	1
2	9003026	Wheel Lock - Newton Spring Loaded Push to Lock, Extended Rail, Left	1
3	9003027	Wheel Lock - Newton Spring Loaded Push to Lock, Extended Rail, 6 in Removable Extension Handle, Right	1
4	9003028	Wheel Lock - Newton Spring Loaded Push to Lock, Extended Rail, 6 in Removable Extension Handle, Left	1
5	9003628	Wheel Lock - Pull to Lock, Extended Rail, Right	1
6	9003629	Wheel Lock - Pull to Lock, Extended Rail, Left	1
7	9003630	Wheel Lock - Pull to Lock, Extended Rail, 6 in Removable Extension Handle, Right	1
8	9003631	Wheel Lock - Pull to Lock, Extended Rail, 6 in Removable Extension Handle, Left	1

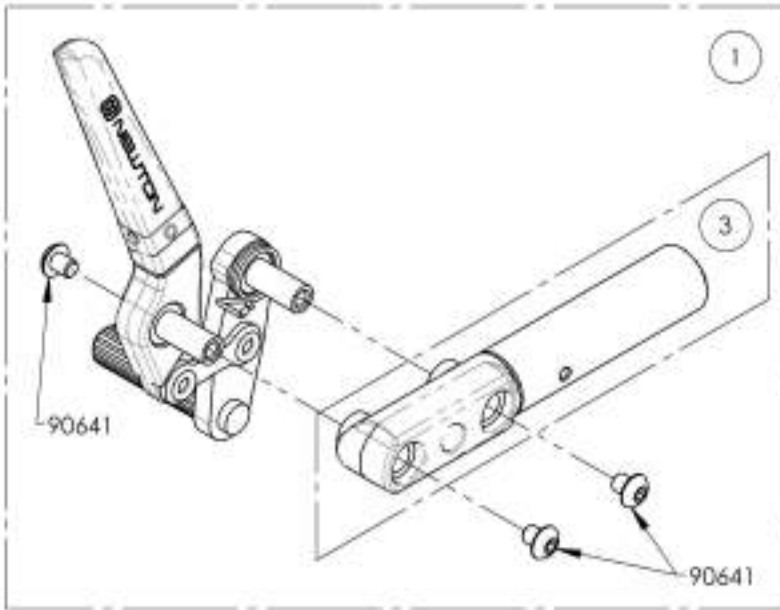


MAKE SURE TO HAVE YOUR SERIAL NUMBER NEARBY WHEN ORDERING PARTS FOR YOUR MOTION COMPOSITES WHEELCHAIR

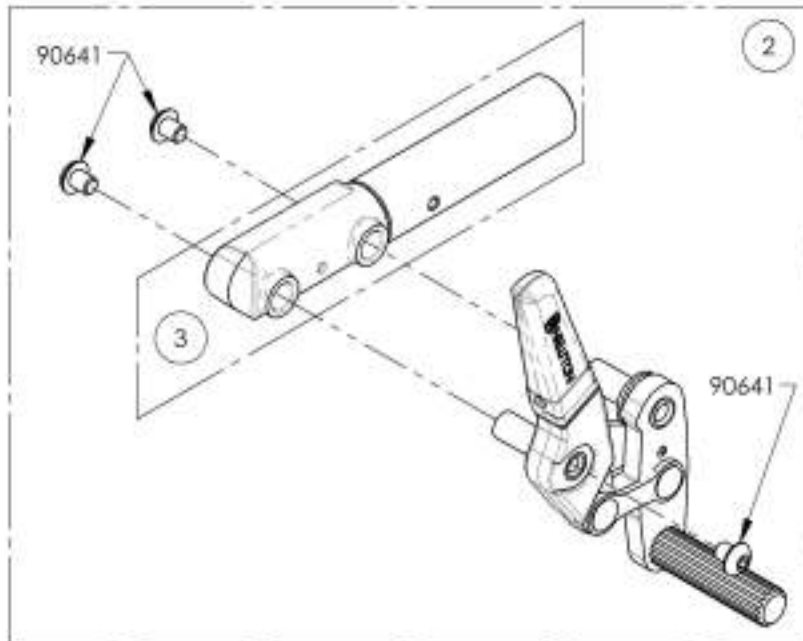
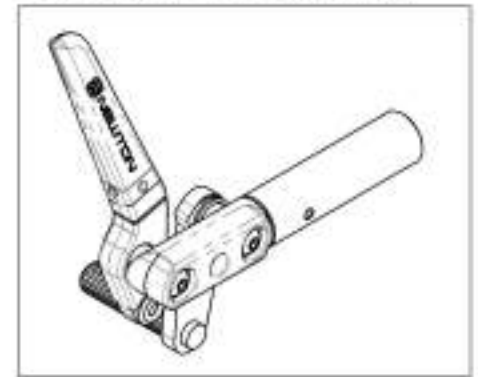
9003025_9003026

Wheel Lock - Newton Spring Loaded Push to Lock, Extended Rail

ITEM NO.	PARTNO	DESCRIPTION	9003025 /QTY.	9003026 /QTY.	REPLACEMENT PARTS/QTY.
1	41516	NEWTON PUSH SPRING WHEEL LOCK WITH EXTENDED RAIL, RIGHT - ASSEMBLY	1	-	-
2	41517	NEWTON PUSH SPRING WHEEL LOCK WITH EXTENDED RAIL, LEFT - ASSEMBLY	-	1	-
3	41072	EXTENDED WHEEL LOCK RAIL_PUSH TO LOCK	-	-	1



9003025
Wheel Lock - Newton Spring Loaded
Push to Lock, Extended Rail, Right



9003026
Wheel Lock - Newton Spring Loaded
Push to Lock, Extended Rail, Left

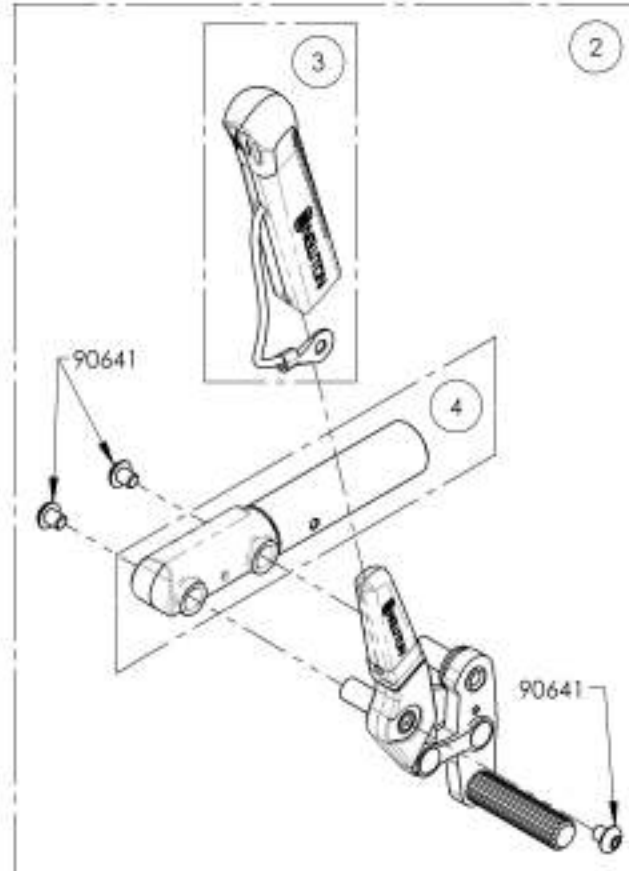
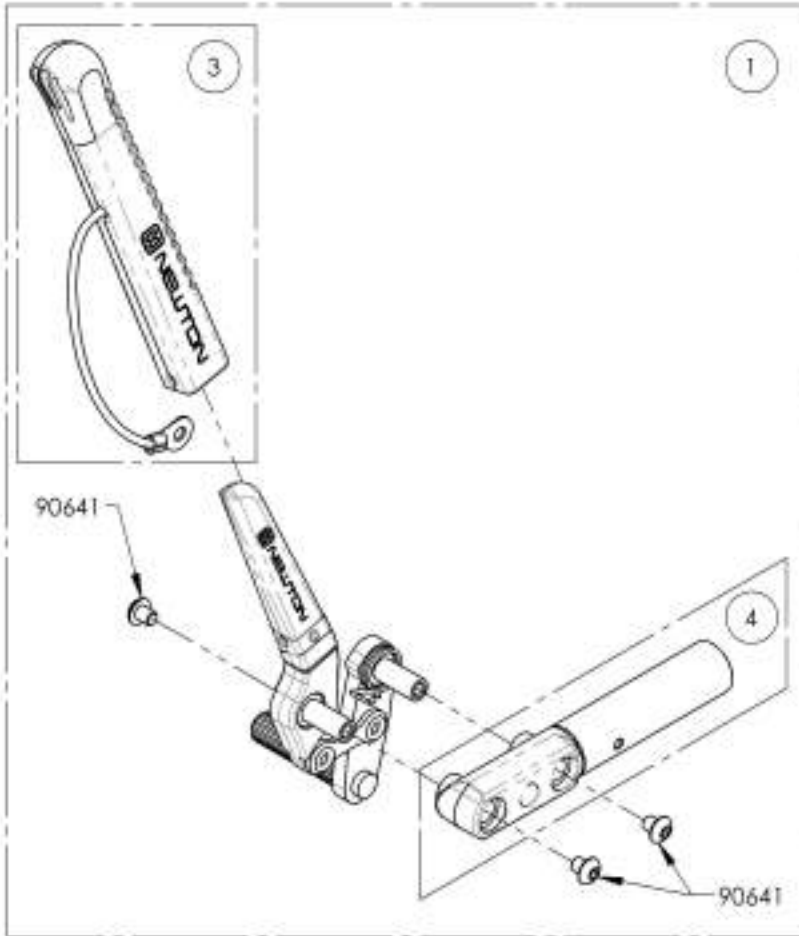


MAKE SURE TO HAVE YOUR SERIAL NUMBER
NEARBY WHEN ORDERING PARTS FOR YOUR
MOTION COMPOSITES WHEELCHAIR

9003027_9003028

Wheel Lock - Newton Spring Loaded Push to Lock, Extended Rail, 6 in Removable Extension Handle

ITEM NO.	PARTNO	DESCRIPTION	9003027 /QTY.	9003028 /QTY.	REPLACEMENT PARTS/QTY.
1	41076	NEWTON PUSH SPRING WHEEL LOCK WITH EXTENSION + EXTENDED RAIL, RIGHT - ASSEMBLY	1	-	-
2	41077	NEWTON PUSH SPRING WHEEL LOCK WITH EXTENSION + EXTENDED RAIL, LEFT - ASSEMBLY	-	1	-
3	41500	NEWTON REMOVABLE EXTENSION HANDLE - ASSEMBLY	-	-	1
4	41072	EXTENDED WHEEL LOCK RAIL, PUSH TO LOCK	-	-	1



9003027
Wheel Lock - Newton Spring Loaded Push to Lock, Extended Rail, 6 in Removable Extension Handle, Right



9003028
Wheel Lock - Newton Spring Loaded Push to Lock, Extended Rail, 6 in Removable Extension Handle, Left

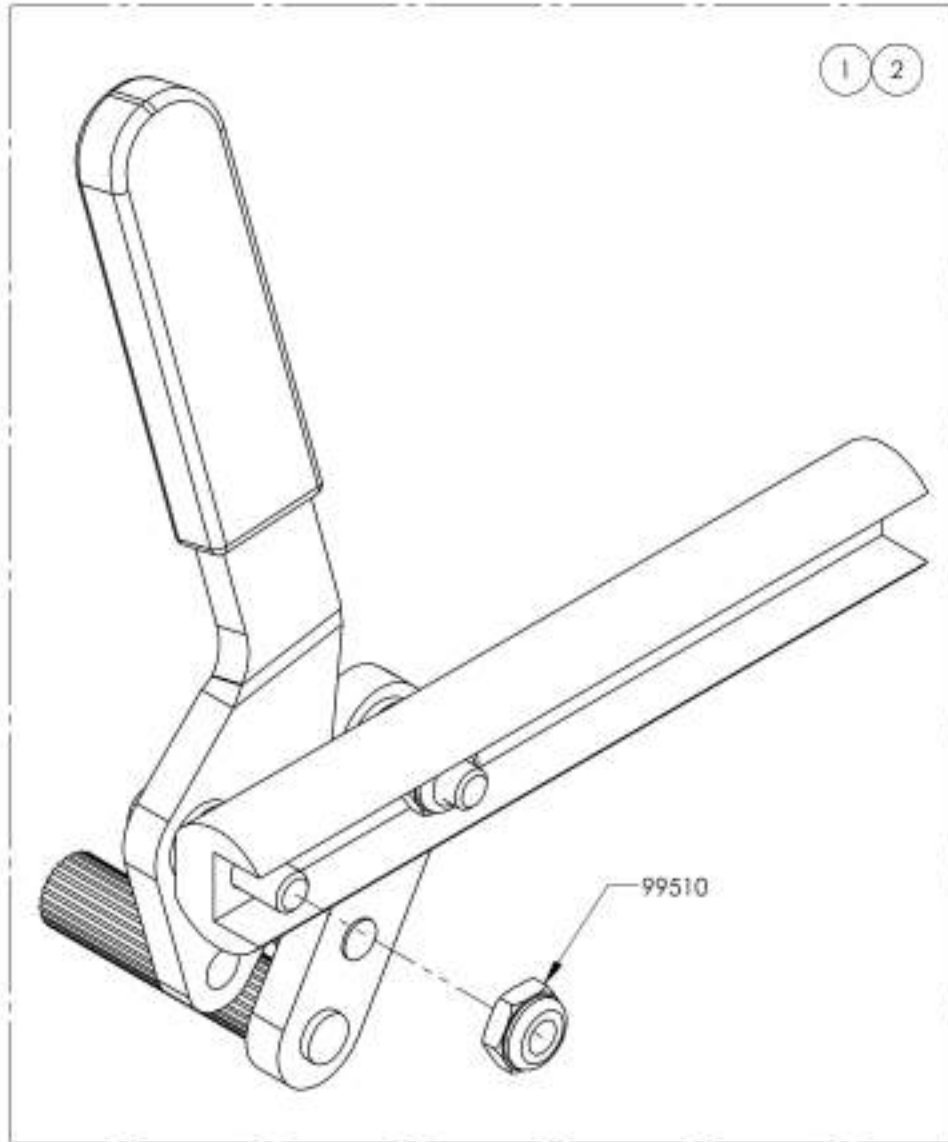


MAKE SURE TO HAVE YOUR SERIAL NUMBER NEARBY WHEN ORDERING PARTS FOR YOUR MOTION COMPOSITES WHEELCHAIR

9003628_9003629

Wheel Lock - Pull to Lock, Extended Rail

ITEM NO.	PART NO.	DESCRIPTION	9003628 /QTY.	9003629 /QTY.
1	41714	PULL TO LOCK WHEEL LOCK + EXTENSION RAIL, RIGHT	1	-
2	41715	PULL TO LOCK WHEEL LOCK + EXTENSION RAIL, LEFT	-	1



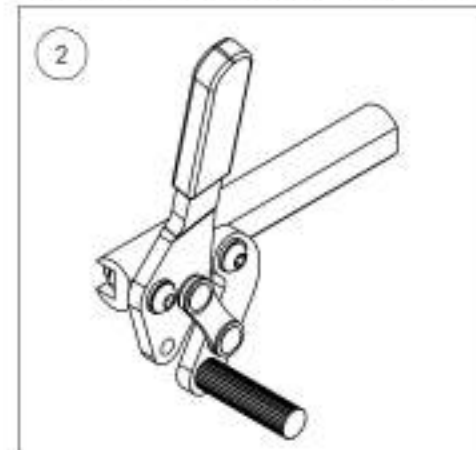
Default

Wheel Lock - Pull to Lock, Extended Rail, Right



Default

Wheel Lock - Pull to Lock, Extended Rail, Left

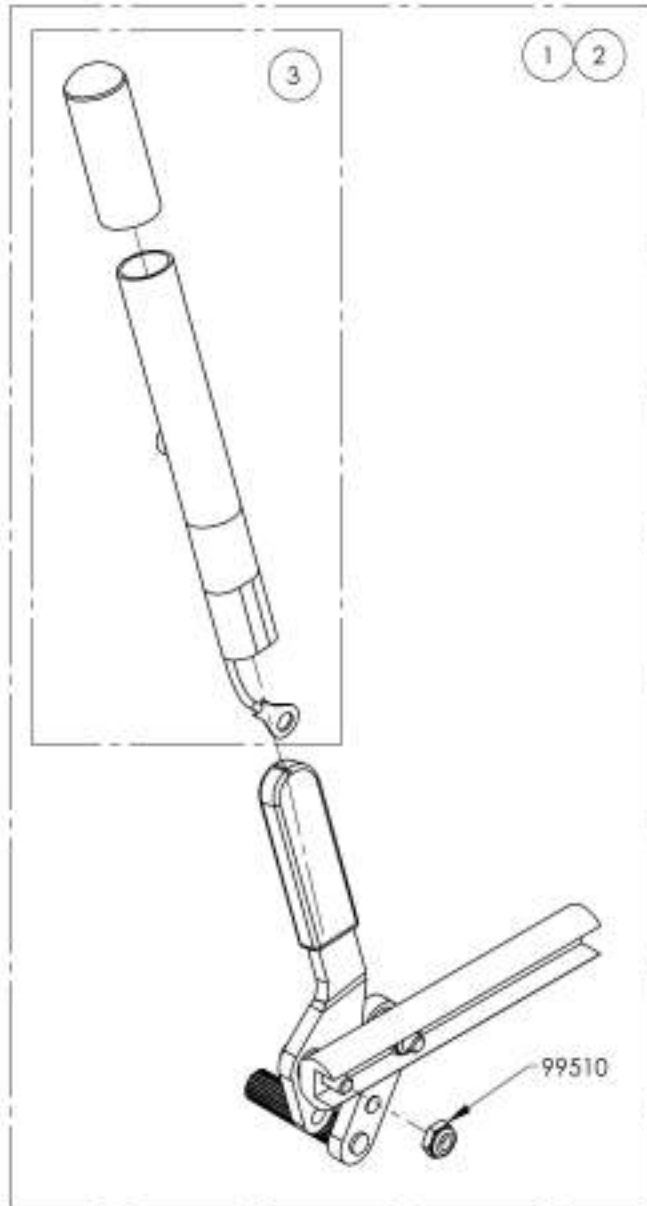


MAKE SURE TO HAVE YOUR SERIAL NUMBER
NEARBY WHEN ORDERING PARTS FOR YOUR
MOTION COMPOSITES WHEELCHAIR

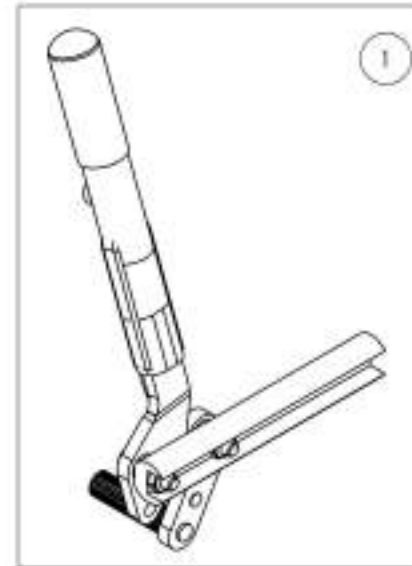
9003630_9003631

Wheel Lock - Pull to Lock, Extended Rail, 6 in Removable Extension Handle

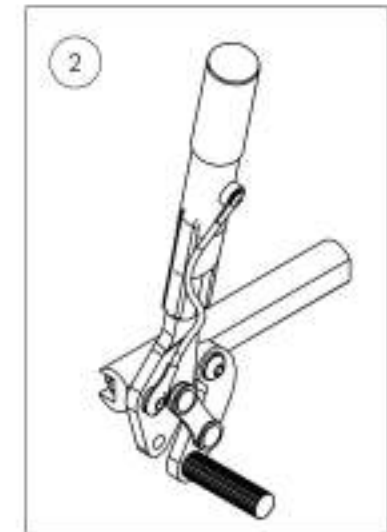
ITEM NO.	PARTNO	DESCRIPTION	9003630 /QTY.	9003631 /QTY.	REPLACEMENT PARTS/QTY.
1	41712	PULL TO LOCK WHEEL LOCK + HANDLE & EXTENSION RAIL, RIGHT	1	-	-
2	41713	PULL TO LOCK WHEEL LOCK + HANDLE & EXTENSION RAIL, LEFT	-	1	-
3	41005	REMOVABLE EXTENSION HANDLE	-	-	1



Default
Wheel Lock - Pull to Lock, Extended Rail,
6 in Removable Extension Handle, Right



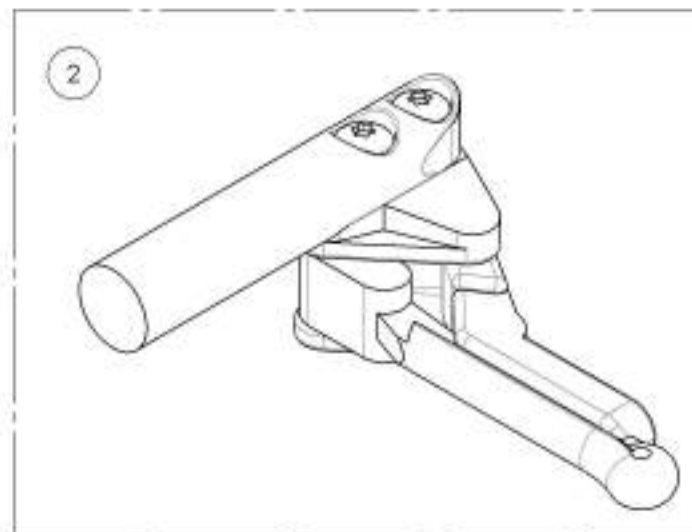
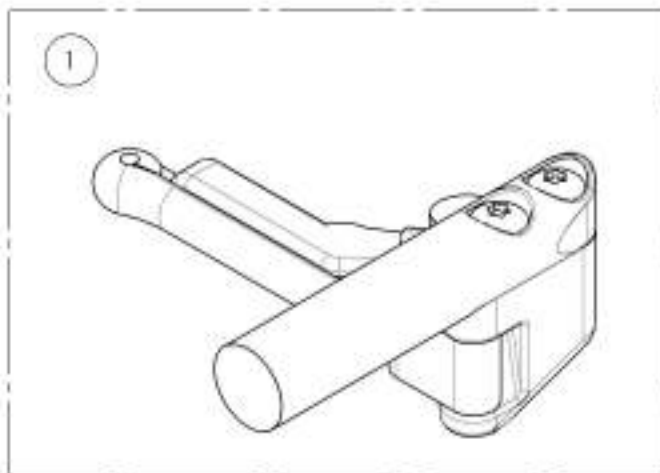
Default
Wheel Lock - Pull to Lock, Extended Rail,
6 in Removable Extension Handle, Left



MAKE SURE TO HAVE YOUR SERIAL NUMBER
NEARBY WHEN ORDERING PARTS FOR YOUR
MOTION COMPOSITES WHEELCHAIR

Wheel Locks Catalogue
Wheel Lock - Scissor

ITEM NO.	PARTNO	DESCRIPTION	QTY.
1	9001585	Wheel Lock - Scissor, Right	1
2	9001586	Wheel Lock - Scissor, Left	1

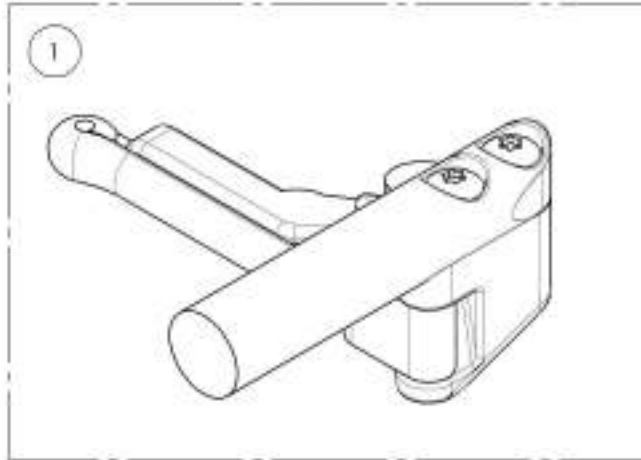


MAKE SURE TO HAVE YOUR SERIAL NUMBER
NEARBY WHEN ORDERING PARTS FOR YOUR
MOTION COMPOSITES WHEELCHAIR

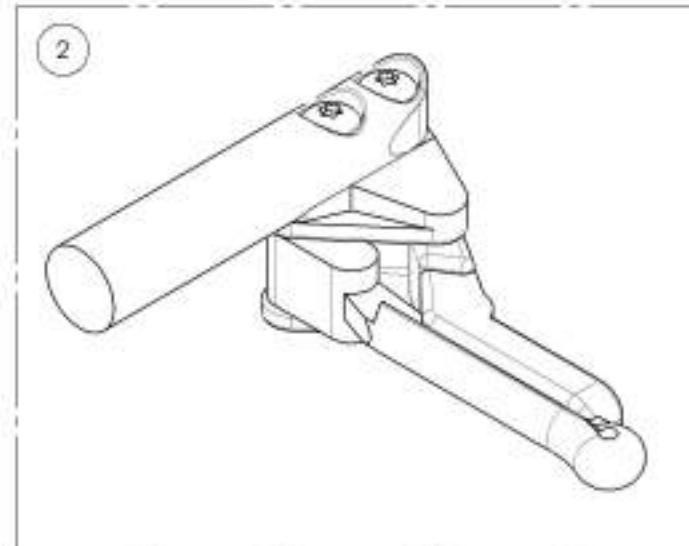
9001585_9001586
Wheel Lock - Scissor

ITEM NO.	PART NO	DESCRIPTION	9001585 /QTY.	9001586 /QTY.
1	41039	OUT-FRONT SCISSOR WHEEL LOCK RIGHT	1	-
2	41038	OUT-FRONT SCISSOR WHEEL LOCK LEFT	-	1

9001585
Wheel Lock - Scissor, Right



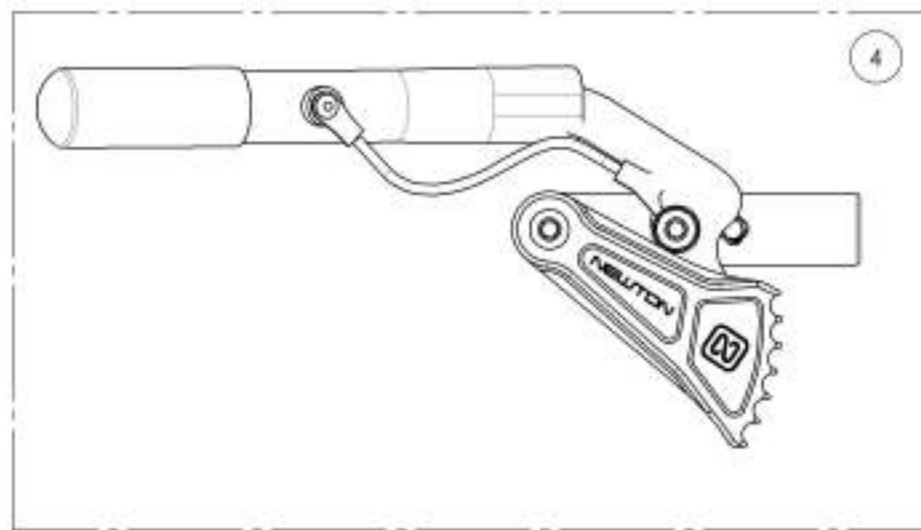
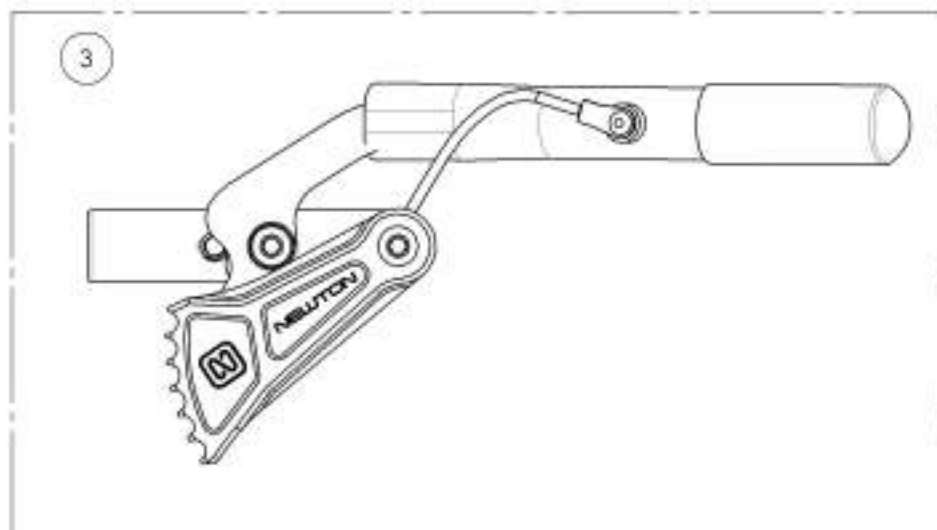
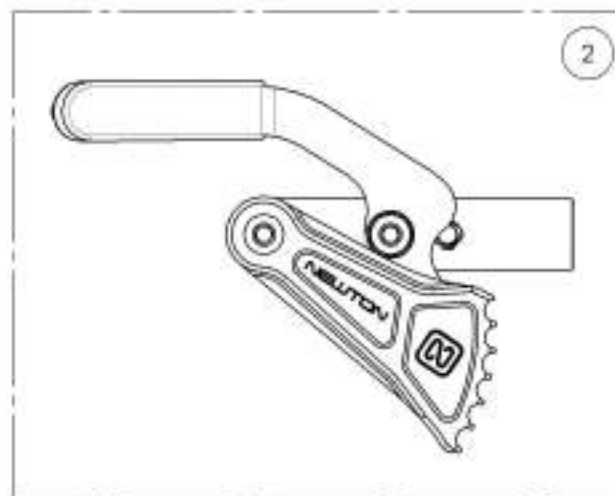
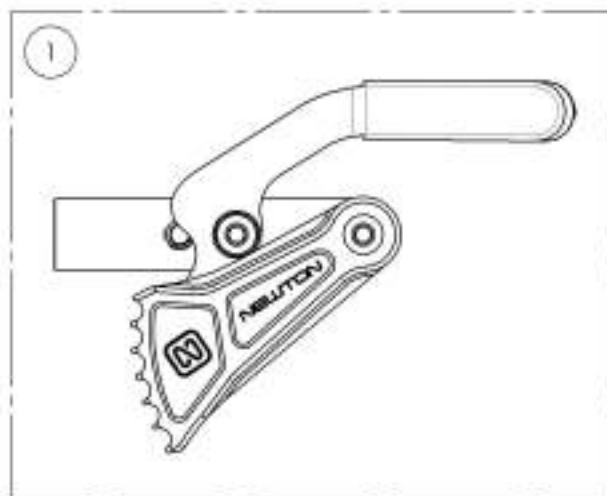
9001586
Wheel Lock - Scissor, Left



MAKE SURE TO HAVE YOUR SERIAL NUMBER
NEARBY WHEN ORDERING PARTS FOR YOUR
MOTION COMPOSITES WHEELCHAIR

Wheel Locks Catalogue
Wheel Lock - Grade Aid

ITEM NO.	PARTNO	DESCRIPTION	QTY.
1	9001581	Wheel Lock - Newton Grade Aid, Push to lock, Right	1
2	9001582	Wheel Lock - Newton Grade Aid, Push to lock, Left	1
3	9001583	Wheel Lock - Newton Grade Aid, Push to lock, 6in Removable Extension Handle, Right	1
4	9001584	Wheel Lock - Newton Grade Aid, Push to lock, 6in Removable Extension Handle, Left	1

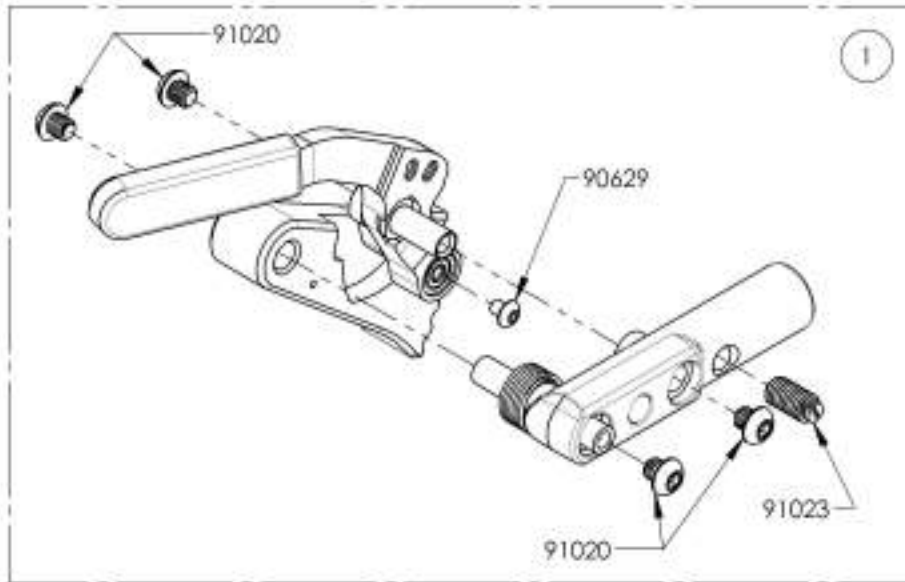


MAKE SURE TO HAVE YOUR SERIAL NUMBER
 NEARBY WHEN ORDERING PARTS FOR YOUR
 MOTION COMPOSITES WHEELCHAIR

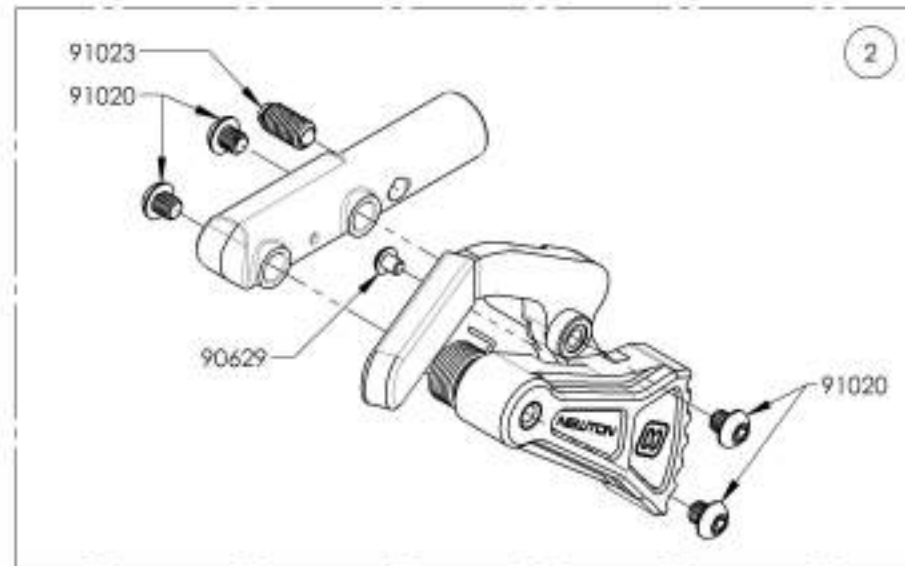
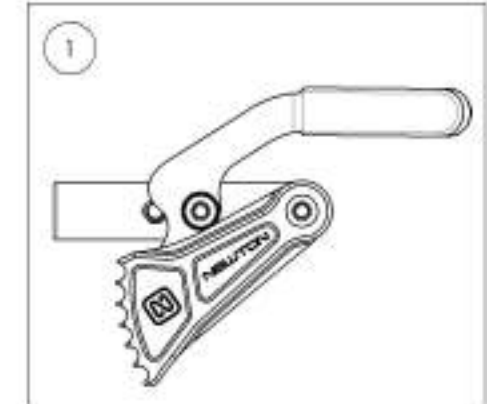
9001581_9001582

Wheel Lock - Newton Grade Aid, Push to Lock

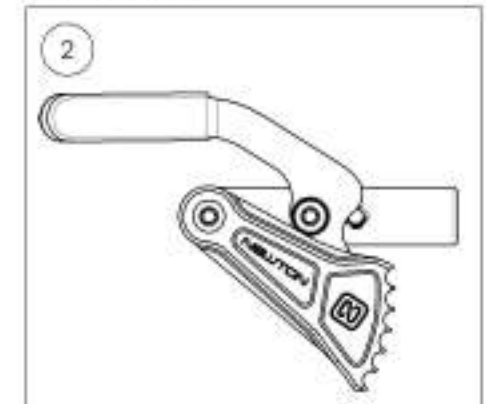
ITEM NO.	PARTNO	DESCRIPTION	9001581 /QTY.	9001582 /QTY.
1	41035	GRADE AID BRAKE RIGHT - ASSEMBLY	1	-
2	41036	GRADE AID BRAKE LEFT - ASSEMBLY	-	1



9001581
Wheel Lock - Newton Grade Aid,
Push to lock, Right



9001582
Wheel Lock - Newton Grade Aid,
Push to lock, Left

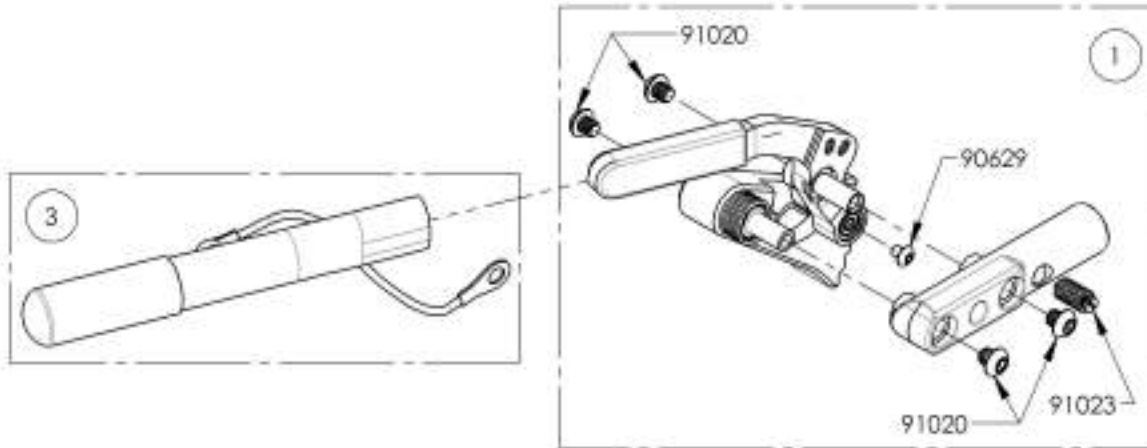


MAKE SURE TO HAVE YOUR SERIAL NUMBER
NEARBY WHEN ORDERING PARTS FOR YOUR
MOTION COMPOSITES WHEELCHAIR

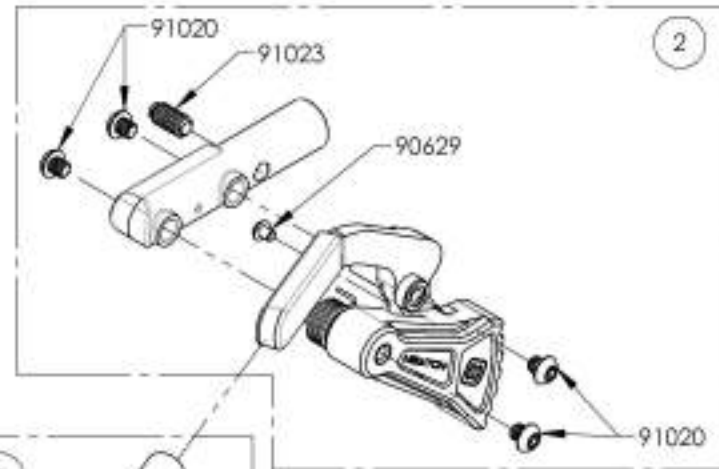
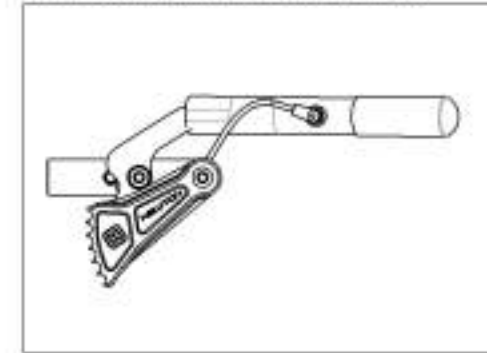
9001583_9001584

Wheel Lock - Newton Grade Aid, Push to Lock, 6 in Removable Extension Handle

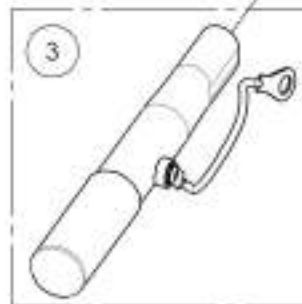
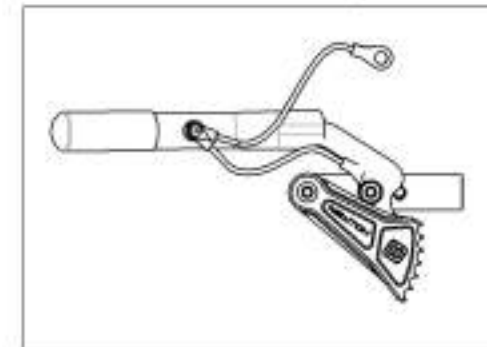
ITEM NO.	PARTNO	DESCRIPTION	9001583 /QTY.	9001584 /QTY.
1	41035	GRADE AID BRAKE RIGHT - ASSEMBLY	1	-
2	41036	GRADE AID BRAKE LEFT - ASSEMBLY	-	1
3	41005	REMOVABLE EXTENSION HANDLE	1	1



9001583
Wheel Lock - Newton Grade Aid, Push to lock, 6 in Removable Extension Handle, Right



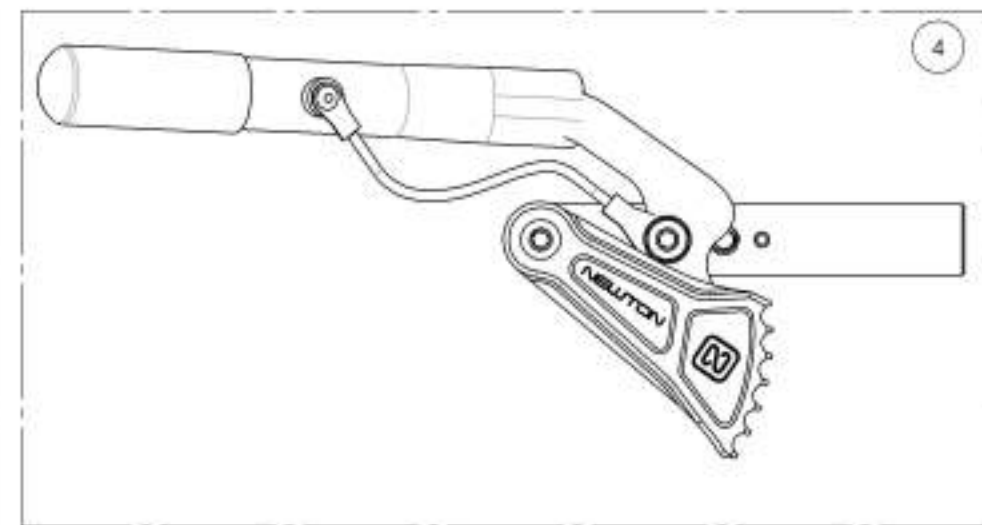
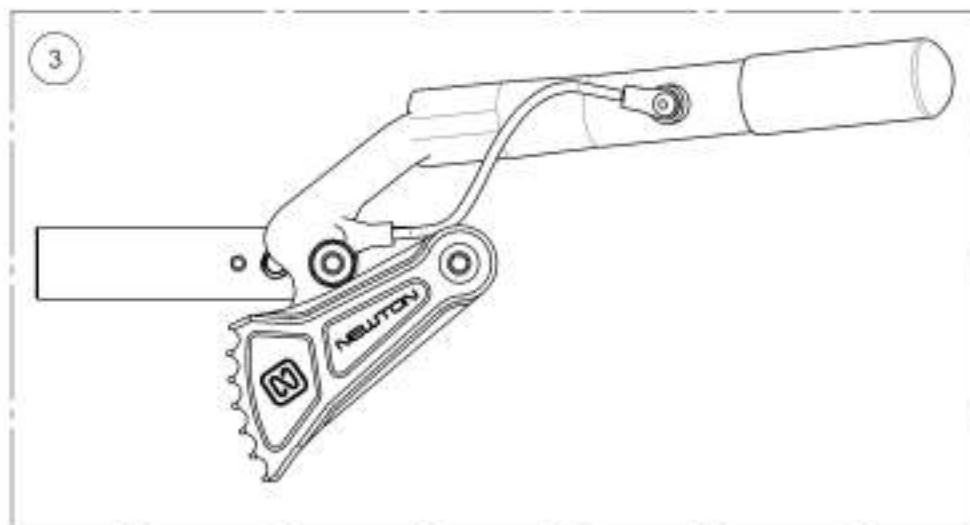
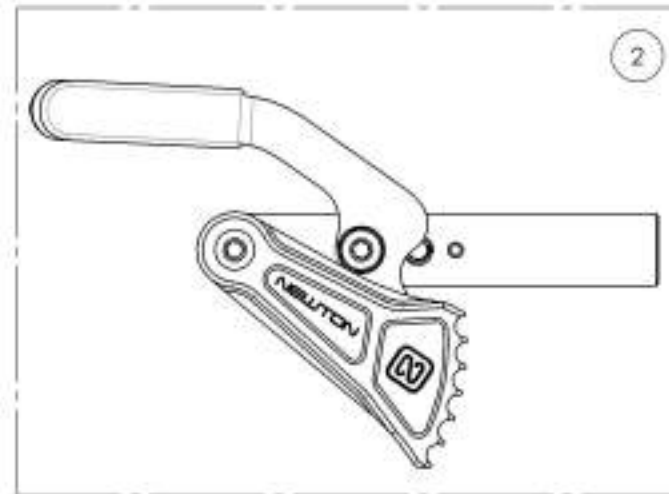
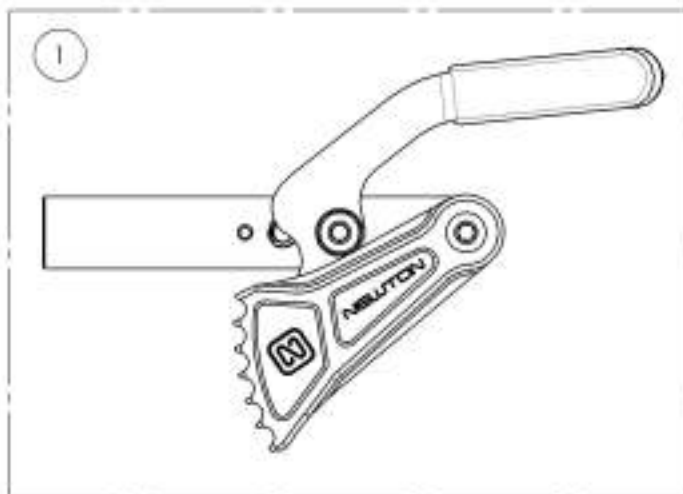
9001584
Wheel Lock - Newton Grade Aid, Push to lock, 6 in Removable Extension Handle, Left



MAKE SURE TO HAVE YOUR SERIAL NUMBER NEARBY WHEN ORDERING PARTS FOR YOUR MOTION COMPOSITES WHEELCHAIR

Wheel Locks Catalogue
Wheel Lock - Grade Aid With Extended Rail

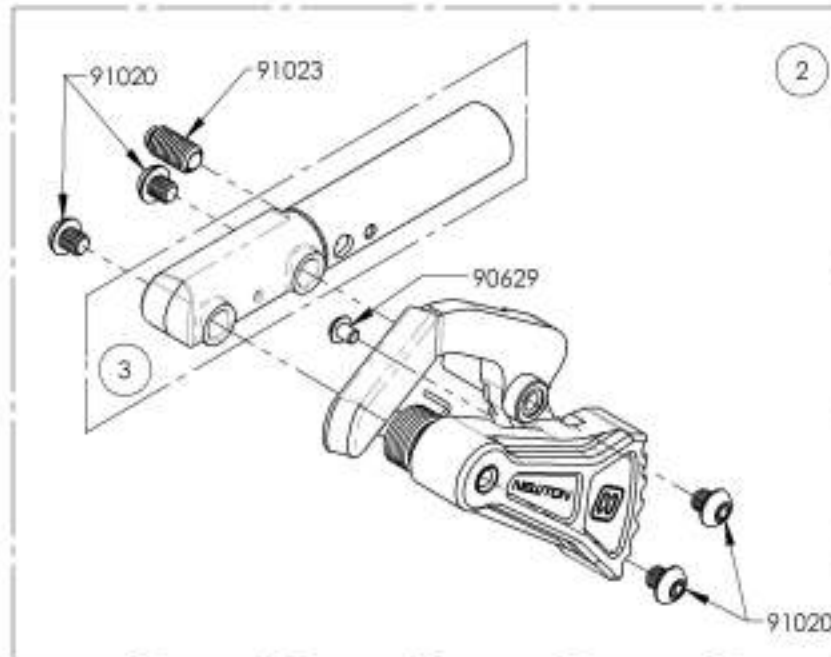
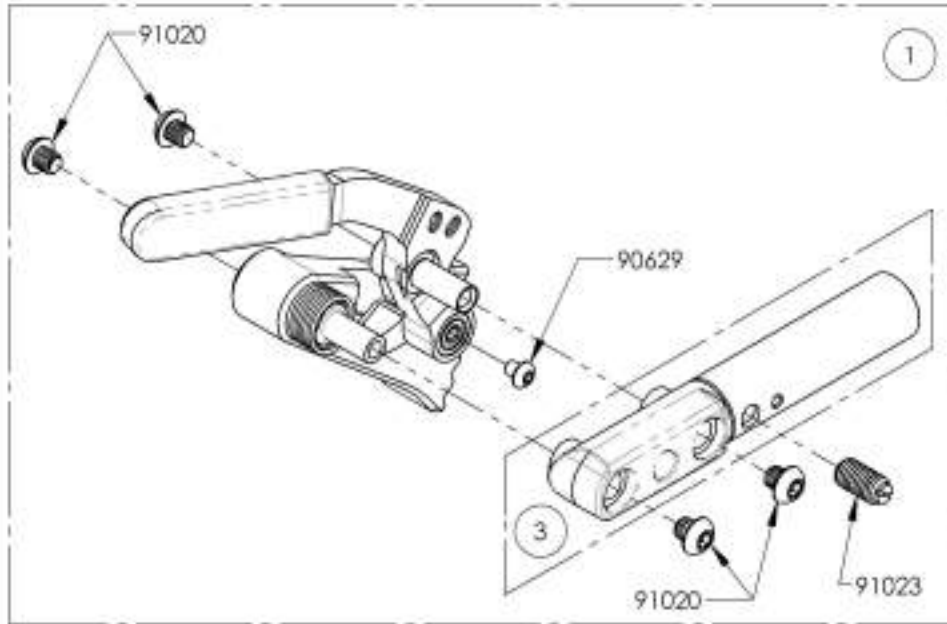
ITEM NO.	PARTNO	DESCRIPTION	QTY.
1	9003029	Wheel Lock - Newton Grade Aid, Push to Lock, Extended Rail, Right	1
2	9003030	Wheel Lock - Newton Grade Aid, Push to Lock, Extended Rail, Left	1
3	9003031	Wheel Lock - Newton Grade Aid, Push to Lock, Extended Rail, 6 in Removable Extension Handle, Right	1
4	9003032	Wheel Lock - Newton Grade Aid, Push to Lock, Extended Rail, 6 in Removable Extension Handle, Left	1



MAKE SURE TO HAVE YOUR SERIAL NUMBER
 NEARBY WHEN ORDERING PARTS FOR YOUR
 MOTION COMPOSITES WHEELCHAIR

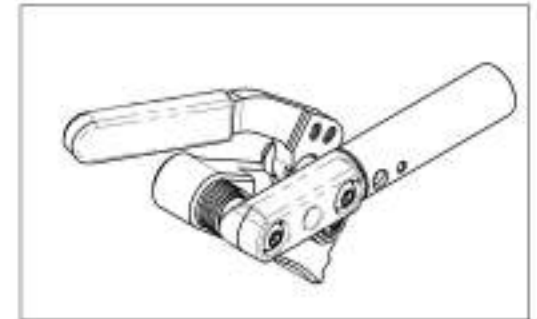
9003029_9003030

Wheel Lock - Newton Grade Aid, Push to Lock, Extended Rail

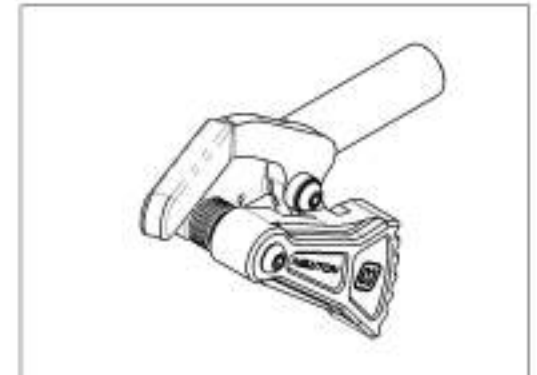


ITEM NO.	PART NO.	DESCRIPTION	9003029 /QTY.	9003030 /QTY.	REPLACEMENT PARTS/QTY.
1	41514	NEWTON GRADE AID WHEEL LOCK WITH EXTENDED RAIL, RIGHT - ASSEMBLY	1	-	-
2	41515	NEWTON GRADE AID WHEEL LOCK WITH EXTENDED RAIL, LEFT - ASSEMBLY	-	1	-
3	41075	EXTENDED WHEEL LOCK RAIL, GRADE AID	-	-	1

9003029
Wheel Lock - Newton Grade Aid,
Push to Lock, Extended Rail, Right



9003030
Wheel Lock - Newton Grade Aid,
Push to Lock, Extended Rail, Left

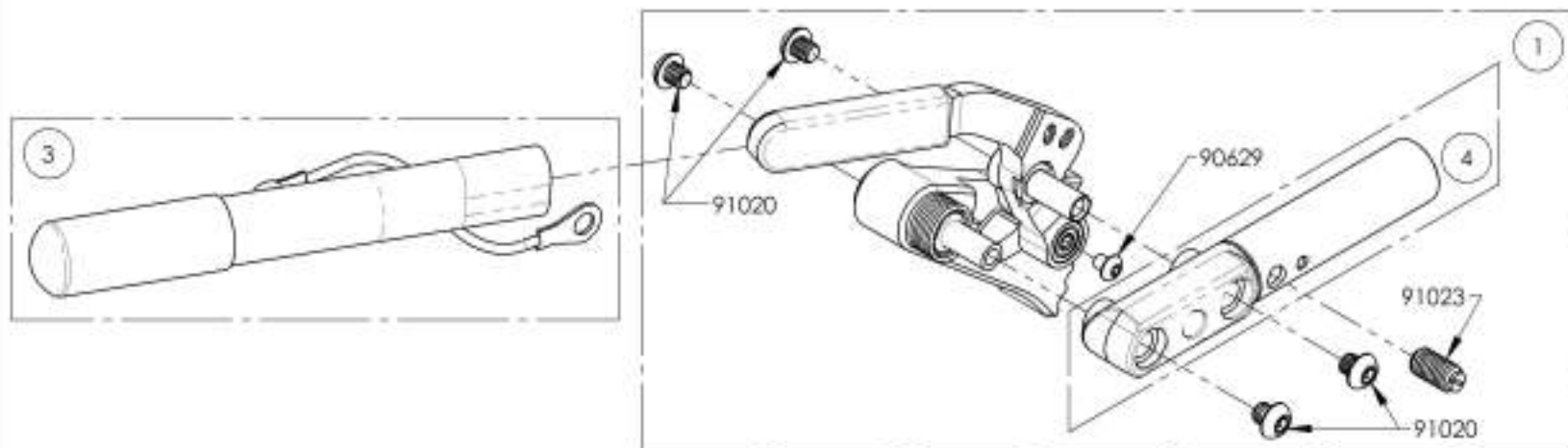


MAKE SURE TO HAVE YOUR SERIAL NUMBER NEARBY WHEN ORDERING PARTS FOR YOUR MOTION COMPOSITES WHEELCHAIR

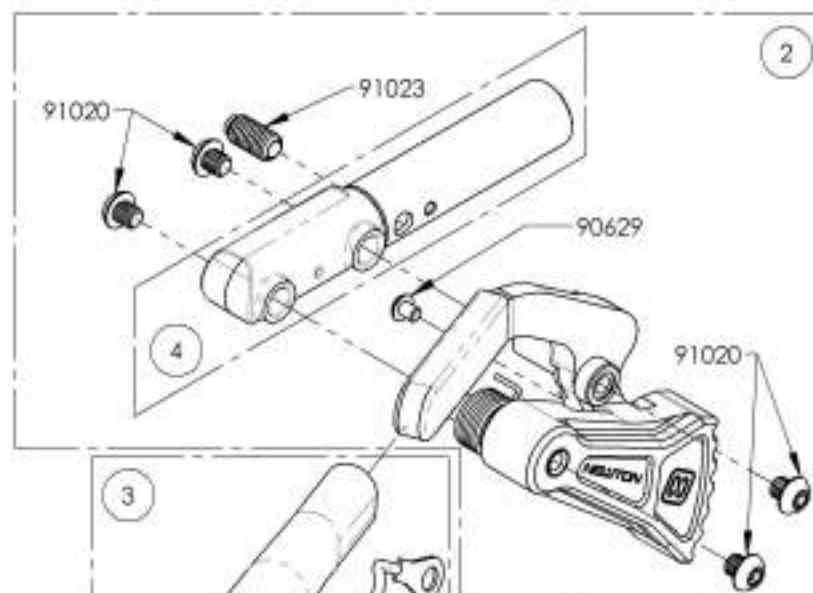
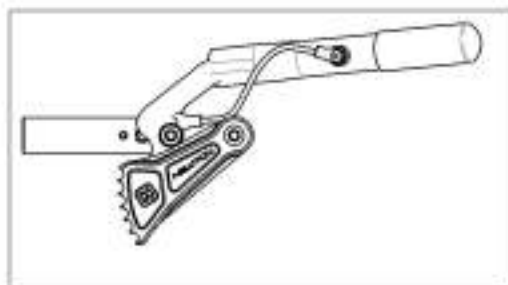
9003031_9003032

Wheel Lock - Newton Grade Aid, Push to Lock, Extended Rail, 6 in Removable Extension Handle, Right

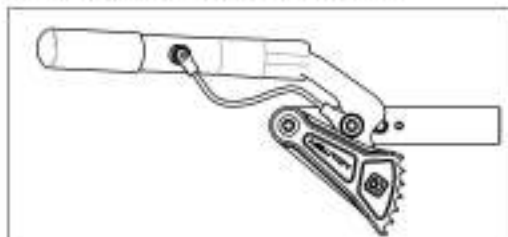
ITEM NO.	PARTNO	DESCRIPTION	9003031 /QTY.	9003032 /QTY.	REPLACEMENT PARTS/QTY.
1	41514	NEWTON GRADE AID WHEEL LOCK WITH EXTENDED RAIL, RIGHT - ASSEMBLY	1	-	-
2	41515	NEWTON GRADE AID WHEEL LOCK WITH EXTENDED RAIL, LEFT - ASSEMBLY	-	1	-
3	41003	REMOVABLE EXTENSION HANDLE	1	1	-
4	41075	EXTENDED WHEEL LOCK RAIL, GRADE AID	-	-	1



9003031
Wheel Lock - Newton Grade Aid,
Push to Lock, Extended Rail, 6 in
Removable Extension Handle, Right



9003032
Wheel Lock - Newton Grade Aid,
Push to Lock, Extended Rail, 6 in
Removable Extension Handle, Left

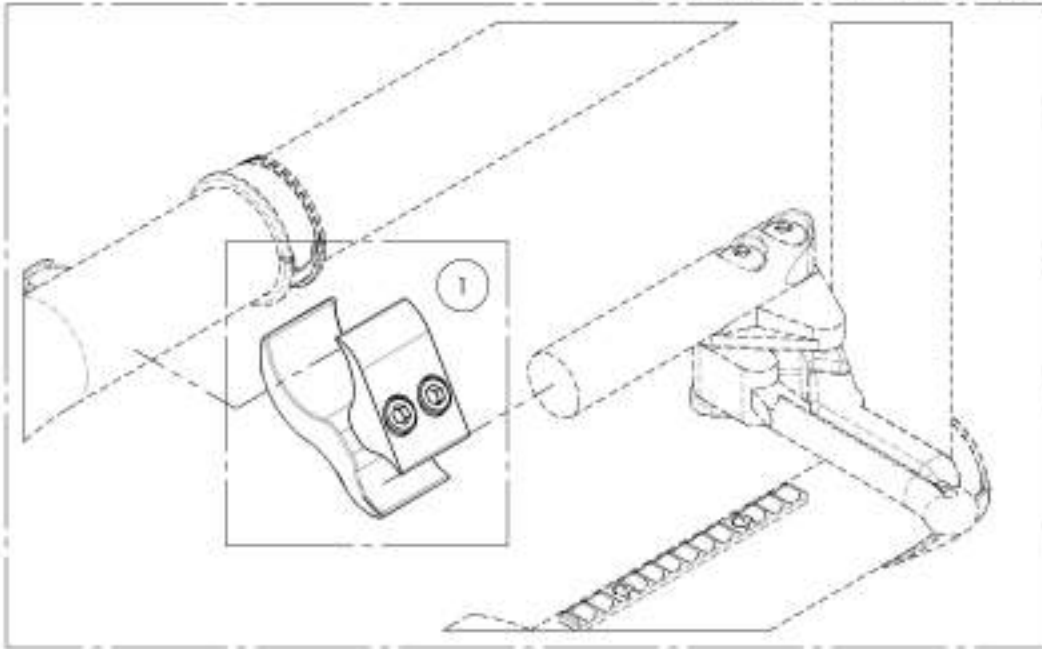


MAKE SURE TO HAVE YOUR SERIAL NUMBER
NEARBY WHEN ORDERING PARTS FOR YOUR
MOTION COMPOSITES WHEELCHAIR

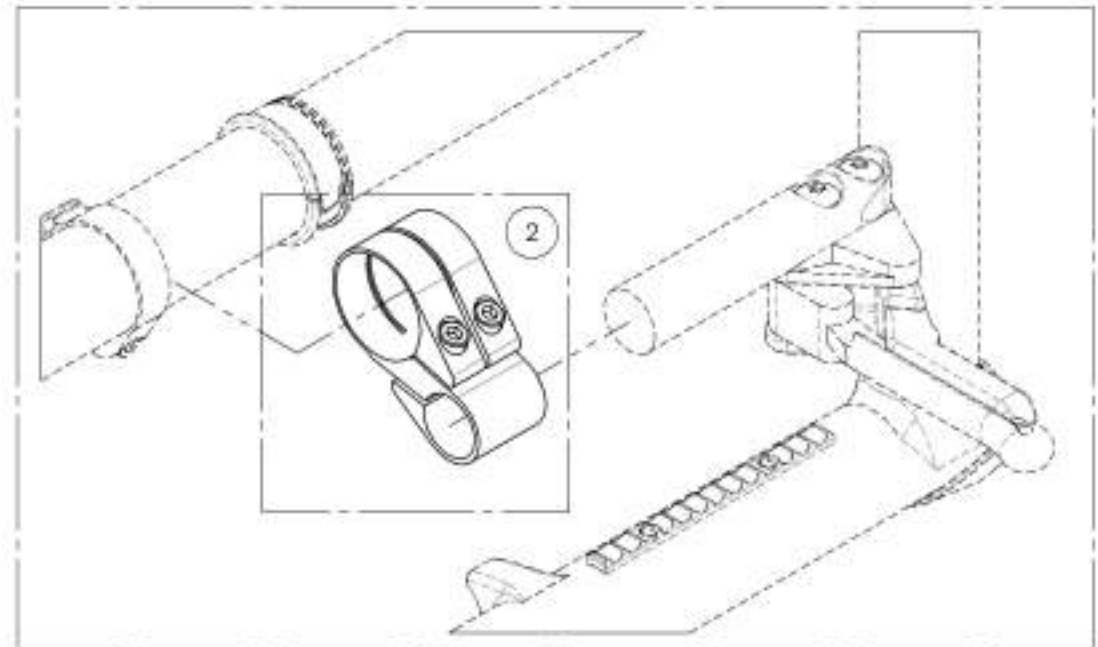
Wheel Locks Catalogue
Wheel Lock - Clamps

ITEM NO.	PARTNO	DESCRIPTION	QTY.
1	9001211	Wheel lock - Two Part Clamp	1
2	9001212	Wheellock - Ultralight One Part Clamp	1

FOR ALUMINUM FRAME



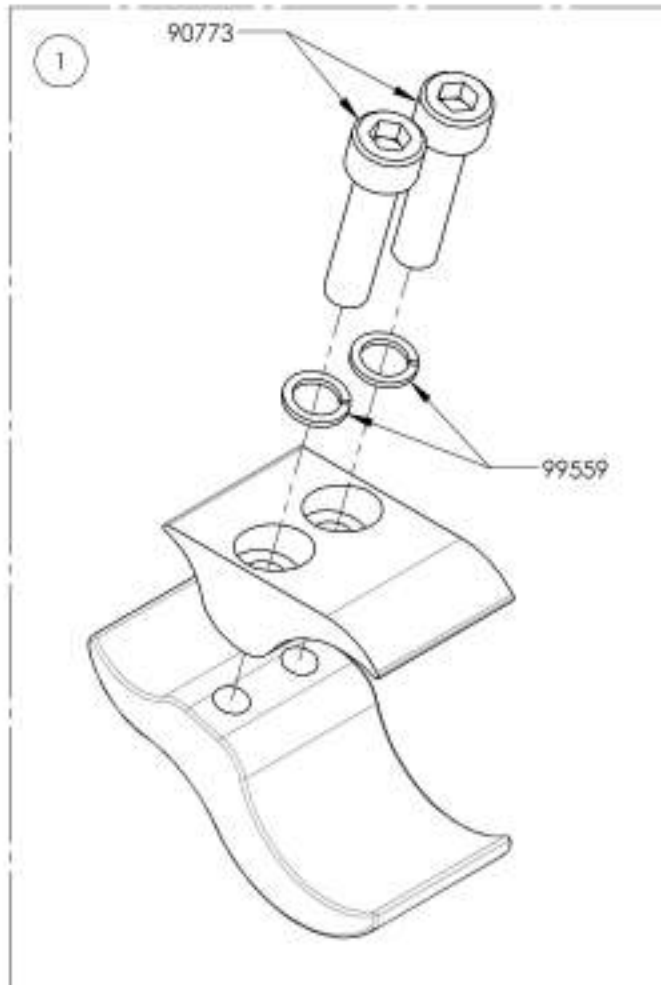
FOR CARBON FRAME



MAKE SURE TO HAVE YOUR SERIAL NUMBER
NEARBY WHEN ORDERING PARTS FOR YOUR
MOTION COMPOSITES WHEELCHAIR

9001211
Wheel lock - Two Part Clamp

ITEM NO.	PARTNO	DESCRIPTION	9001211 /QTY.
1	41301	BRAKE CLAMP	1

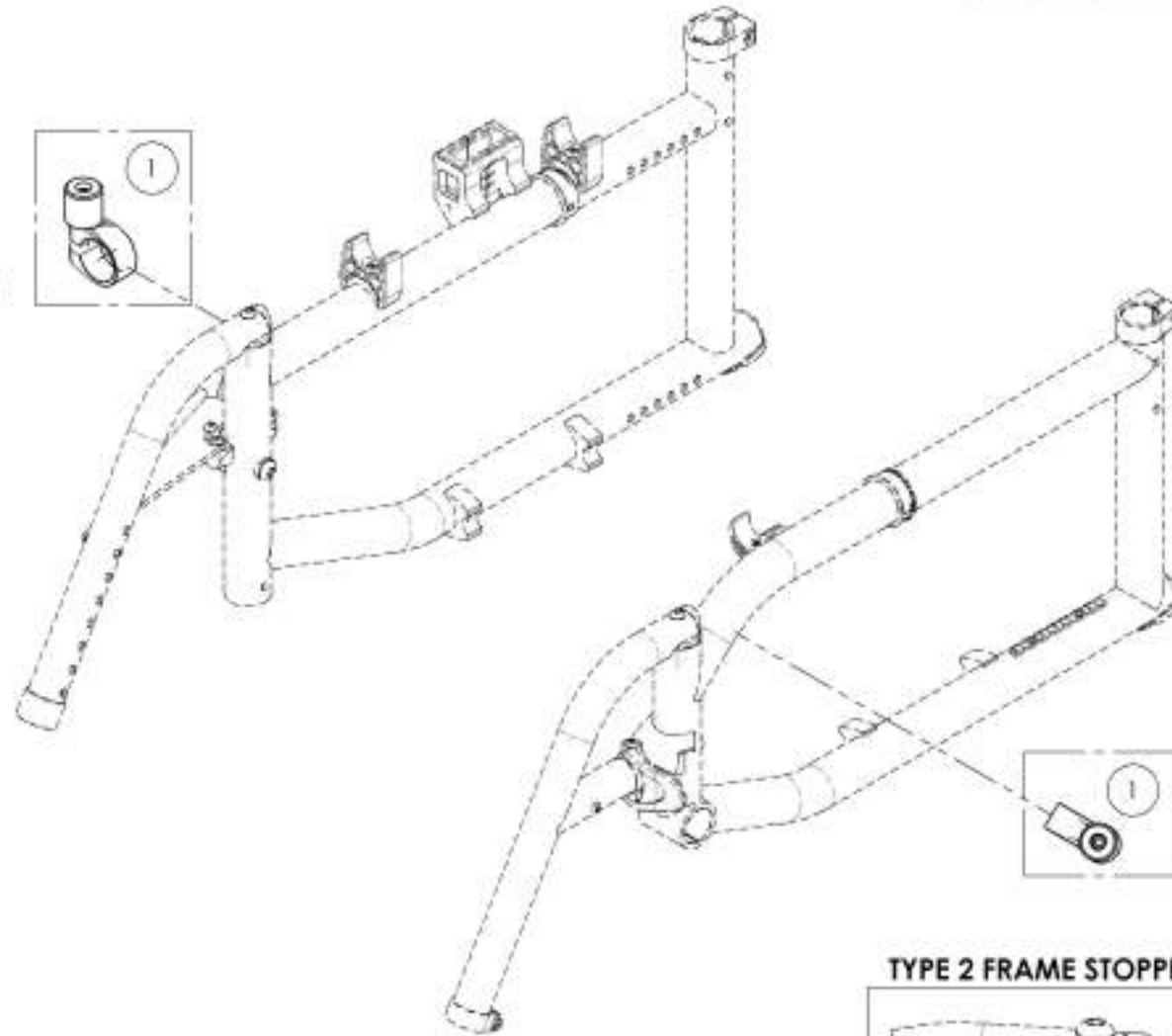
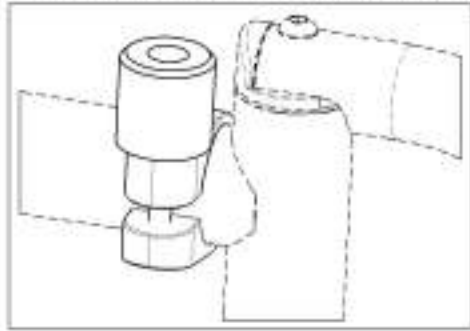


MAKE SURE TO HAVE YOUR SERIAL NUMBER
NEARBY WHEN ORDERING PARTS FOR YOUR
MOTION COMPOSITES WHEELCHAIR

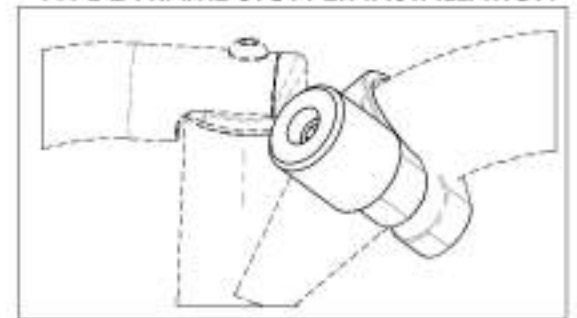
Wheel Locks Catalogue
Footrest Stopper

ITEM NO.	PARTNO.	DESCRIPTION	QTY
1	9003048	Wheel Lock - Footrest Stopper	2

TYPE 1 FRAME STOPPER INSTALLATION



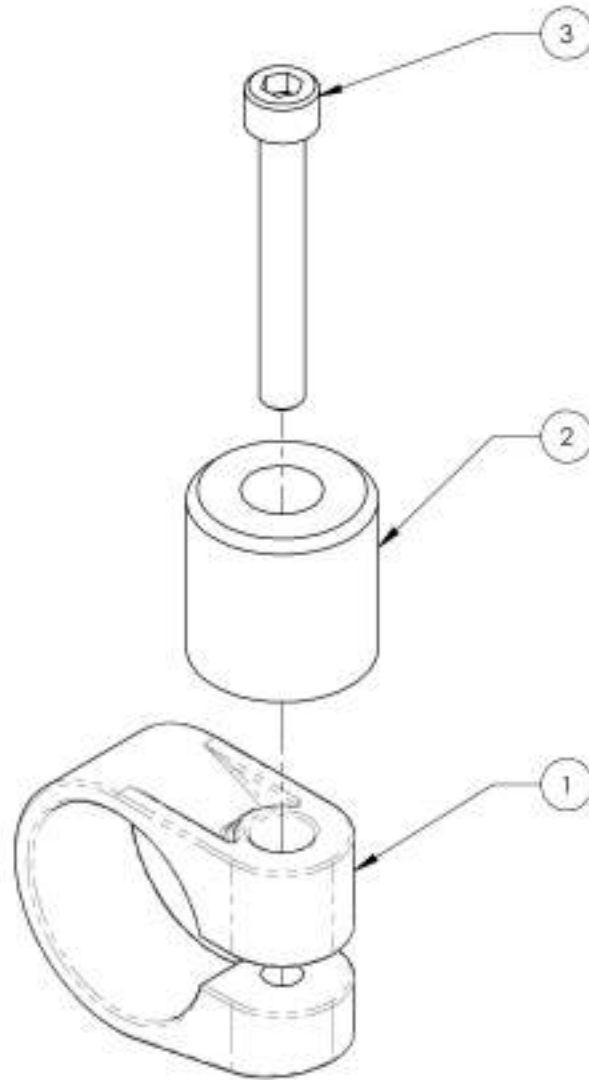
TYPE 2 FRAME STOPPER INSTALLATION



MAKE SURE TO HAVE YOUR SERIAL NUMBER
NEARBY WHEN ORDERING PARTS FOR YOUR
MOTION COMPOSITES WHEELCHAIR

9003048
Wheel Lock - Footrest Stopper

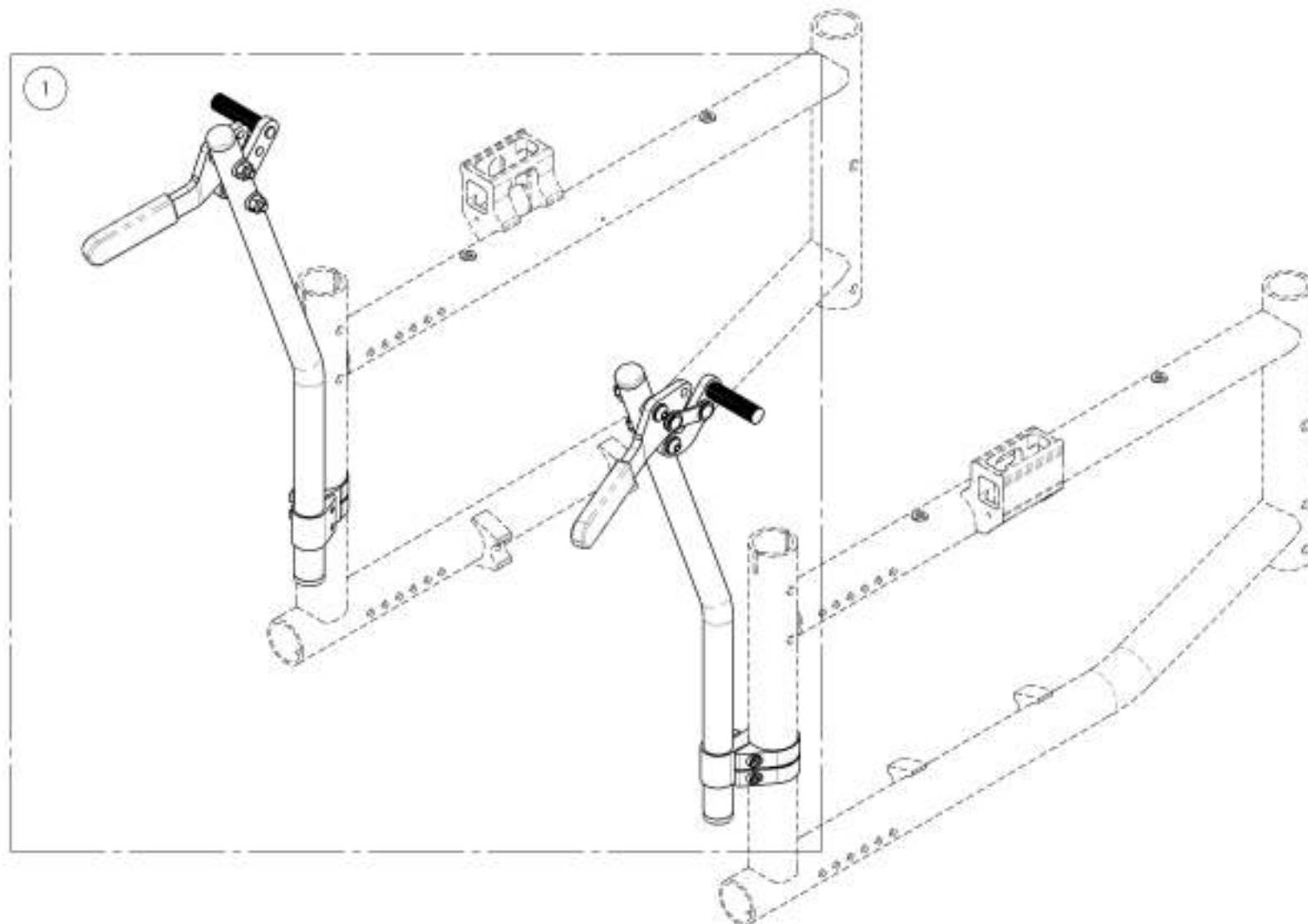
ITEM NO.	PARTNO	DESCRIPTION	9003048 /QTY.
1	60201	FRAME SAVER	1
2	41120	WHEEL LOCK STOPPER	1
3	90777	SOCKET CAP SCREW M5X1 X 45mm LONG, 24mm THREADED + BLUE TREADLOCKER - BLACK ZINC	1



MAKE SURE TO HAVE YOUR SERIAL NUMBER
NEARBY WHEN ORDERING PARTS FOR YOUR
MOTION COMPOSITES WHEELCHAIR

Wheel Locks Catalogue
Attendant Wheel Lock, Kit

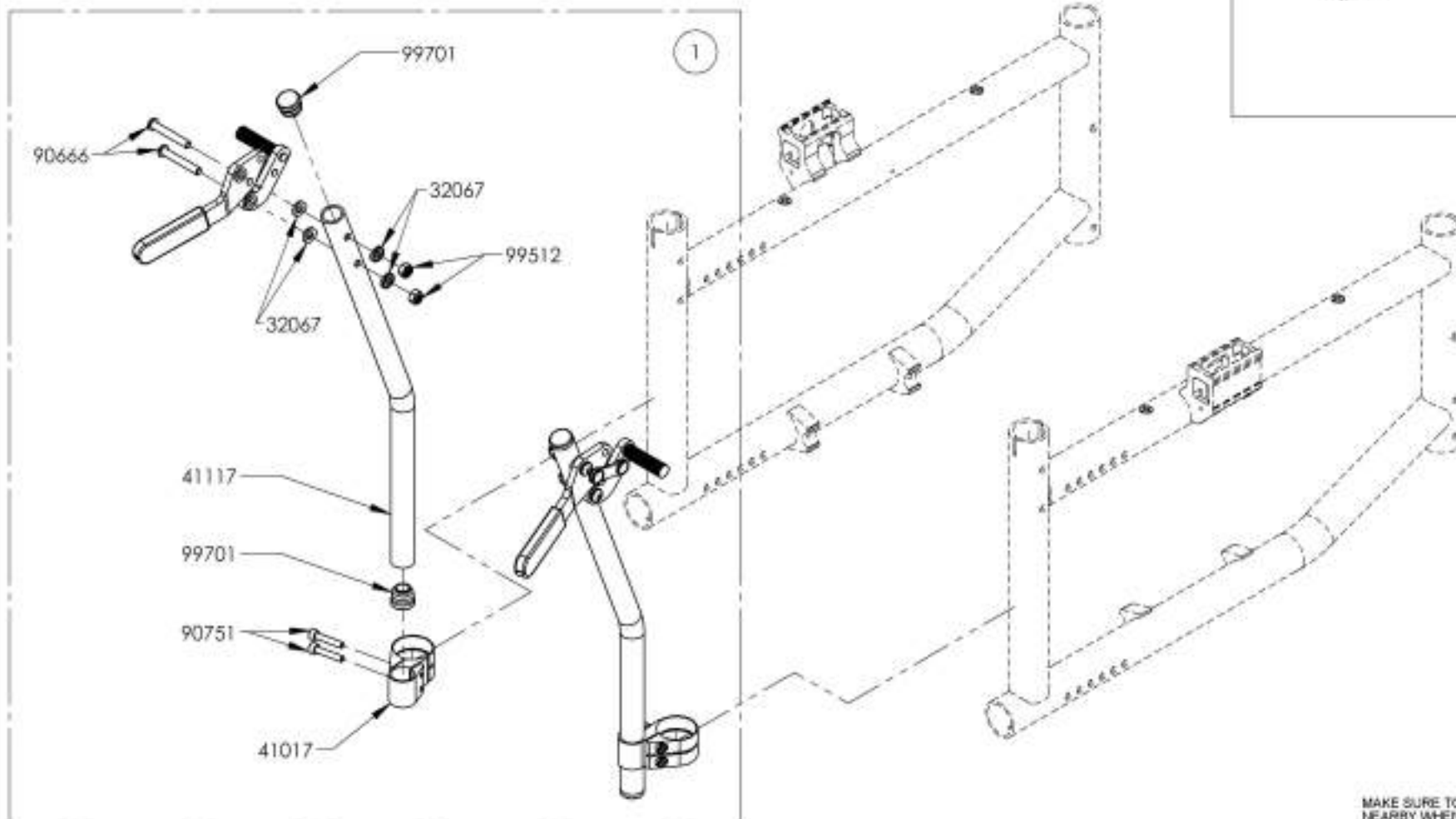
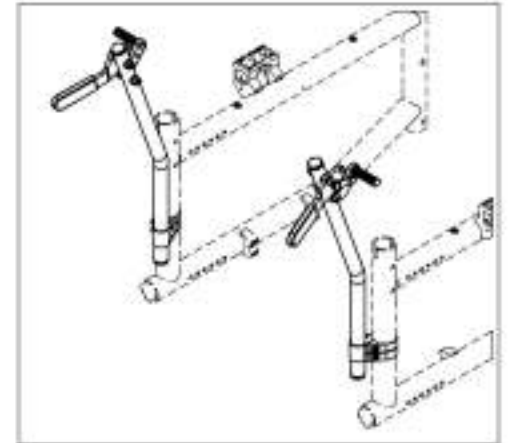
ITEM NO.	PART NO.	DESCRIPTION	QTY
1	9001374	Attendant Wheel Lock, Kit	1



MAKE SURE TO HAVE YOUR SERIAL NUMBER
NEARBY WHEN ORDERING PARTS FOR YOUR
MOTION COMPOSITES WHEELCHAIR

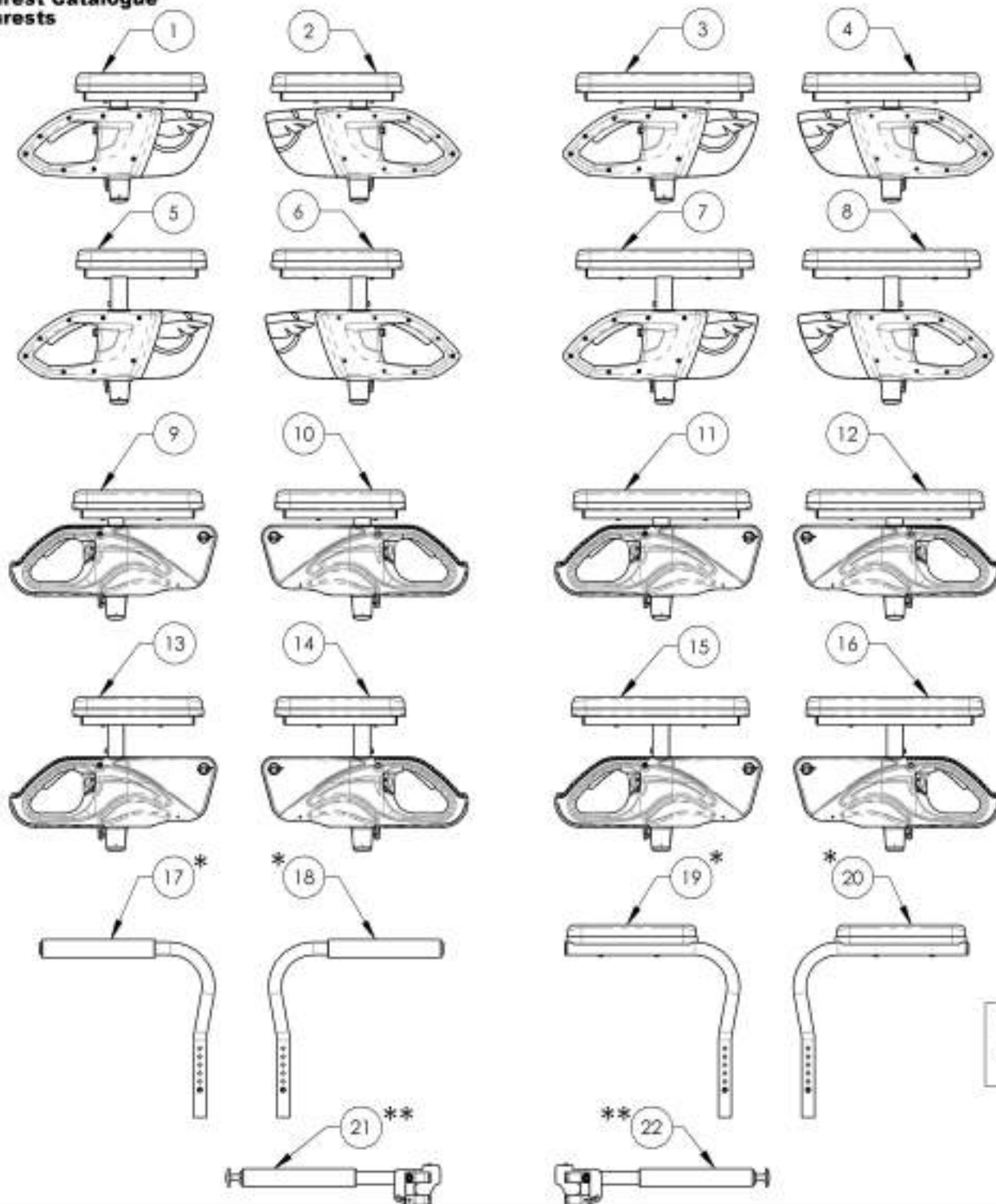
9001574
Attendant Wheel Lock, Kit

ITEM NO.	PARTNO	DESCRIPTION	9001574 /QTY.
1	41711	ATTENDANT WHEEL LOCK - ASSY (PAIR)	1



MAKE SURE TO HAVE YOUR SERIAL NUMBER
 NEARBY WHEN ORDERING PARTS FOR YOUR
 MOTION COMPOSITES WHEELCHAIR

Armrest Catalogue Armrests



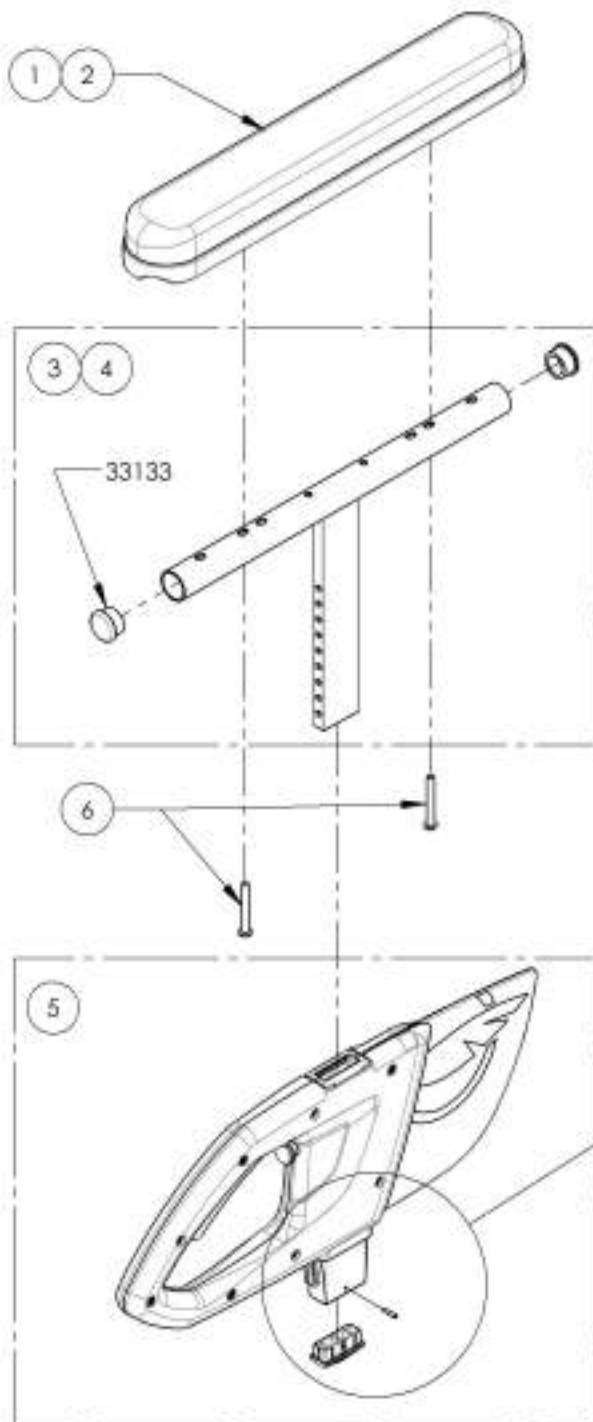
ITEM NO.	PART NO.	DESCRIPTION	QTY
1	9003551	Armrest - Flip Back & T Type Right, 8-12 in. Desk Length	1
2	9003555	Armrest - T Type, Left, 8-12 in. Desk Length	1
3	9003552	Armrest - Flip Back & T Type Right, 8-12 in. Full Length	1
4	9003556	Armrest - T Type, Left, 8-12 in. Full Length	1
5	9003553	Armrest - T Type, Right, 10-14 in. Desk Length	1
6	9003557	Armrest - T Type, Left, 10-14 in. Desk Length	1
7	9003554	Armrest - T Type, Right, 10-14 in. Full Length	1
8	9003558	Armrest - T Type, Left, 10-14 in. Full Length	1
9	9001299	Armrest - Flip Back & T Type Right, 8-12 in. Desk Length	1
10	9001303	Armrest - Flip Back & T Type Left, 8-12 in. Desk Length	1
11	9001300	Armrest - Flip Back & T Type Right, 8-12 in. Full Length	1
12	9001304	Armrest - Flip Back & T Type Left, 8-12 in. Full Length	1
13	9001301	Armrest - Flip Back & T Type Right, 10-14 in. Desk Length	1
14	9001305	Armrest - Flip Back & T Type Left, 10-14 in. Desk Length	1
15	9001302	Armrest - Flip Back & T Type Right, 10-14 in. Full Length	1
16	9001306	Armrest - Flip Back & T Type Left, 10-14 in. Full Length	1
17 *	9001308	Armrest - Swing Away, Right, Tubular	1
18 *	9001309	Armrest - Swing Away, Left, Tubular	1
19 *	9001310	Armrest - Swing Away, Right, Desk Length	1
20 *	9001311	Armrest - Swing Away, Left, Desk Length	1
21 **	9001316	Locking Armrest - Flip Up, Right	1
22 **	9001317	Locking Armrest - Flip Up, Left	1

*:NOT AVAILABLE FOR DEPTH ADJUSTABLE BACK CANES

** :ONLY USE WITH ALUMINIUM BACK CANES [175lbs MAX]

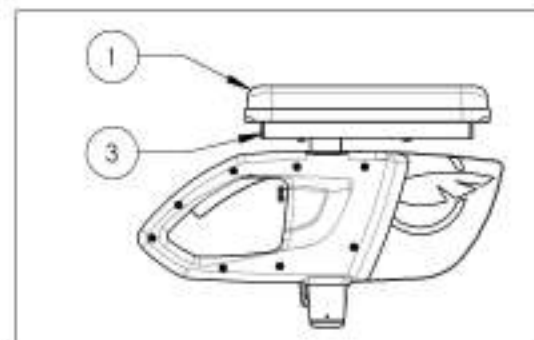
MAKE SURE TO HAVE YOUR SERIAL NUMBER
NEARBY WHEN ORDERING PARTS FOR YOUR
MOTION COMPOSITES WHEELCHAIR

9003551_9003552
Armrest - T Type, Right, 8-12 in

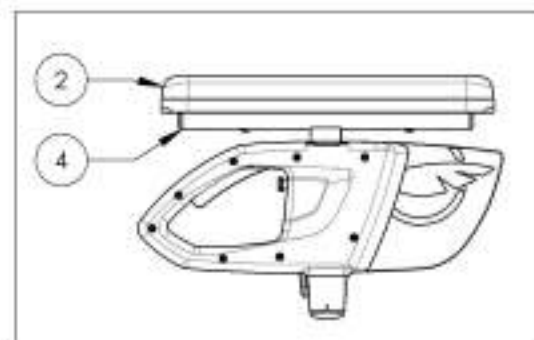


ITEM NO.	PARTNO	DESCRIPTION	9003551 /QTY.	9003552 /QTY.
1	33038	ARMREST DESK PAD	1	-
2	33099	ARMREST FULL LENGTH PAD	-	1
3	33579	V2 ARMREST STRUCTURE 8-12" FOR DESK LENGTH - ASSEMBLY	1	-
4	33559	V2 ARMREST STRUCTURE 8-12" FOR FULL LENGTH - ASSEMBLY	-	1
5	33596	V2T ARMREST - ASSEMBLY	1	1
6	99013	SCREW PHILLIPS PAN HD #10,32 X 1,1_2 + BLUE THREADLOCKER	2	2

9003551
Armrest - Flip Back & T Type Right, 8-12 in, Desk Length



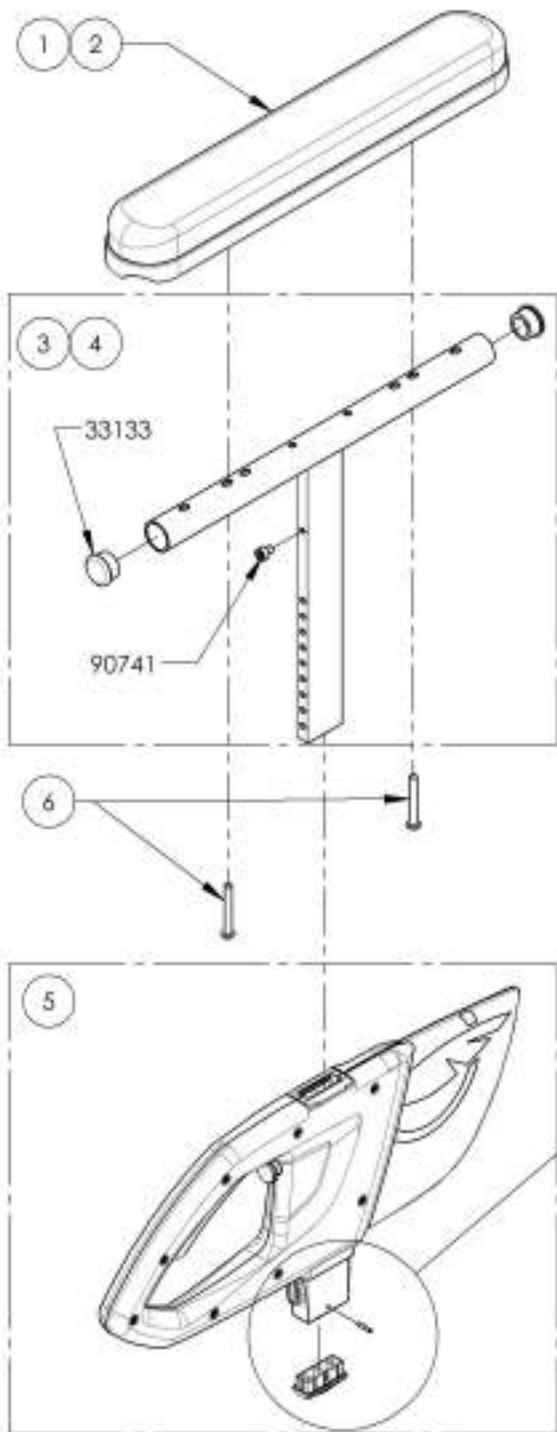
9003552
Armrest - Flip Back & T Type Right, 8-12 in, Full Length



DETAIL B
 SCALE 2 : 5

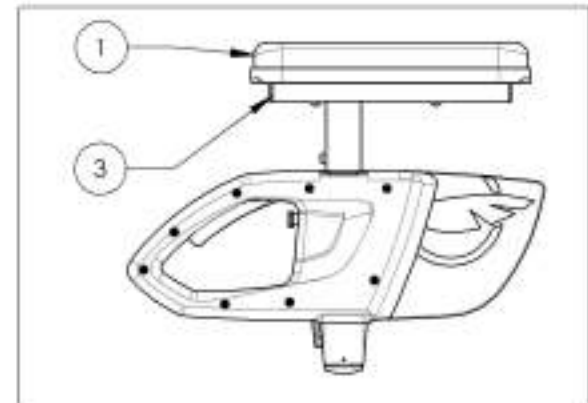
MAKE SURE TO HAVE YOUR SERIAL NUMBER
 NEARBY WHEN ORDERING PARTS FOR YOUR
 MOTION COMPOSITES WHEELCHAIR

9003553_9003554
Armrest - T Type, Right, 10-14 in

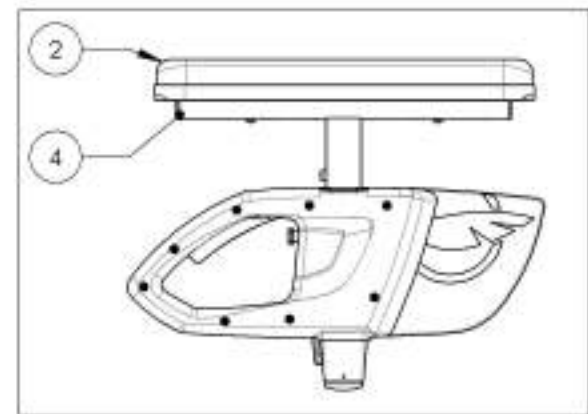


ITEM NO.	PART NO.	DESCRIPTION	9003553 /QTY.	9003554 /QTY.
1	33038	ARMREST DESK PAD	1	-
2	33099	ARMREST FULL LENGTH PAD	-	1
3	33580	V2 ARMREST STRUCTURE 10-14" FOR DESK LENGTH - ASSEMBLY	1	-
4	33560	V2 ARMREST STRUCTURE 10-14" FOR FULL LENGTH - ASSEMBLY	-	1
5	33596	V2T ARMREST - ASSEMBLY	1	1
6	99013	SCREW PHILLIPS PAN HD #10_32 X 1_1_2 + BLUE THREADLOCKER	2	2

9003553
Armrest - T Type, Right, 10-14 in, Desk Length

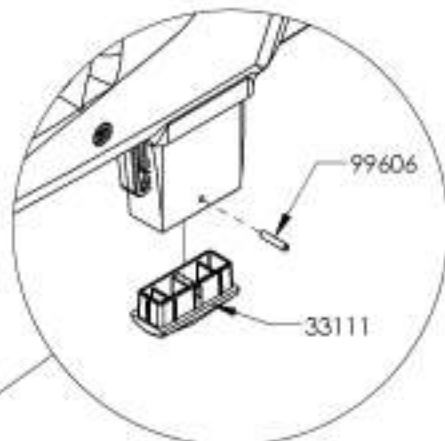
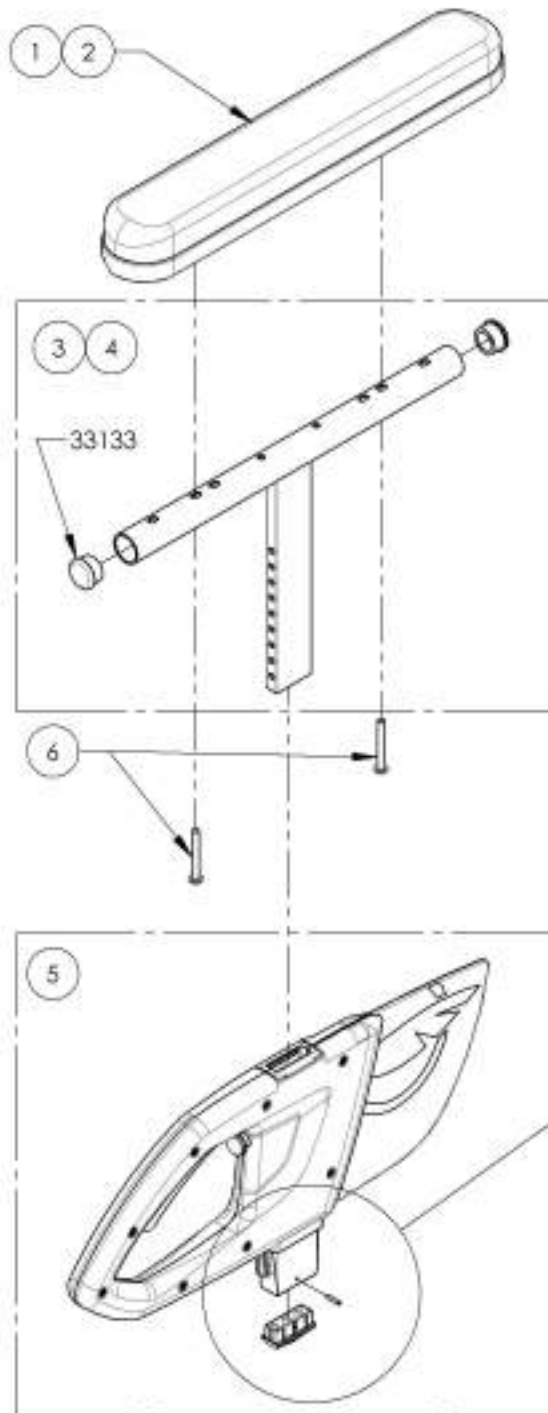


9003554
Armrest - T Type, Right, 10-14 in, Full Length



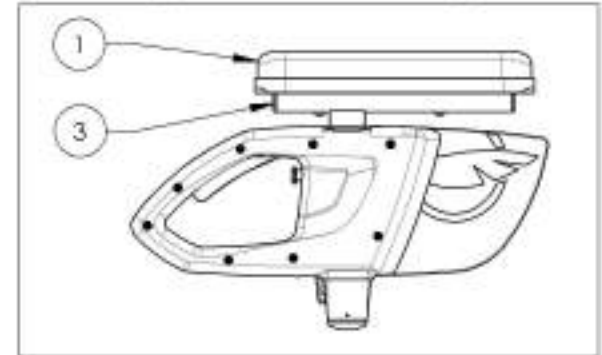
MAKE SURE TO HAVE YOUR SERIAL NUMBER NEARBY WHEN ORDERING PARTS FOR YOUR MOTION COMPOSITES WHEELCHAIR

9003555_9003556
Armrest - T Type, Left, 8-12 in

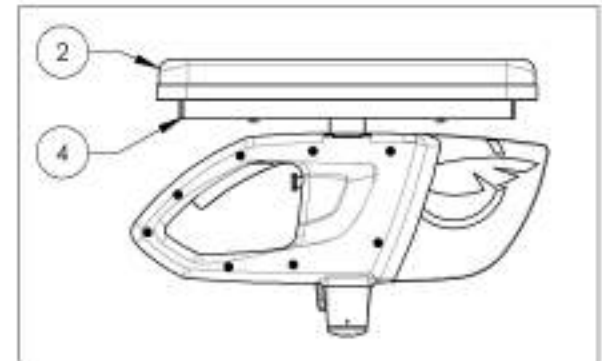


ITEM NO.	PARTNO	DESCRIPTION	9003555 /QTY.	9003556 /QTY.
1	33038	ARMREST DESK PAD	1	-
2	33099	ARMREST FULL LENGTH PAD	-	1
3	33579	V2 ARMREST STRUCTURE 8-12" FOR DESK LENGTH - ASSEMBLY	1	-
4	33559	V2 ARMREST STRUCTURE 8-12" FOR FULL LENGTH - ASSEMBLY	-	1
5	33596	V2T ARMREST - ASSEMBLY	1	1
6	99013	SCREW PHILLIPS PAN HD #10_32 X 1_1_2 + BLUE THREADLOCKER	2	2

9003555
Armrest - T Type, Left, 8-12 in, Desk Length

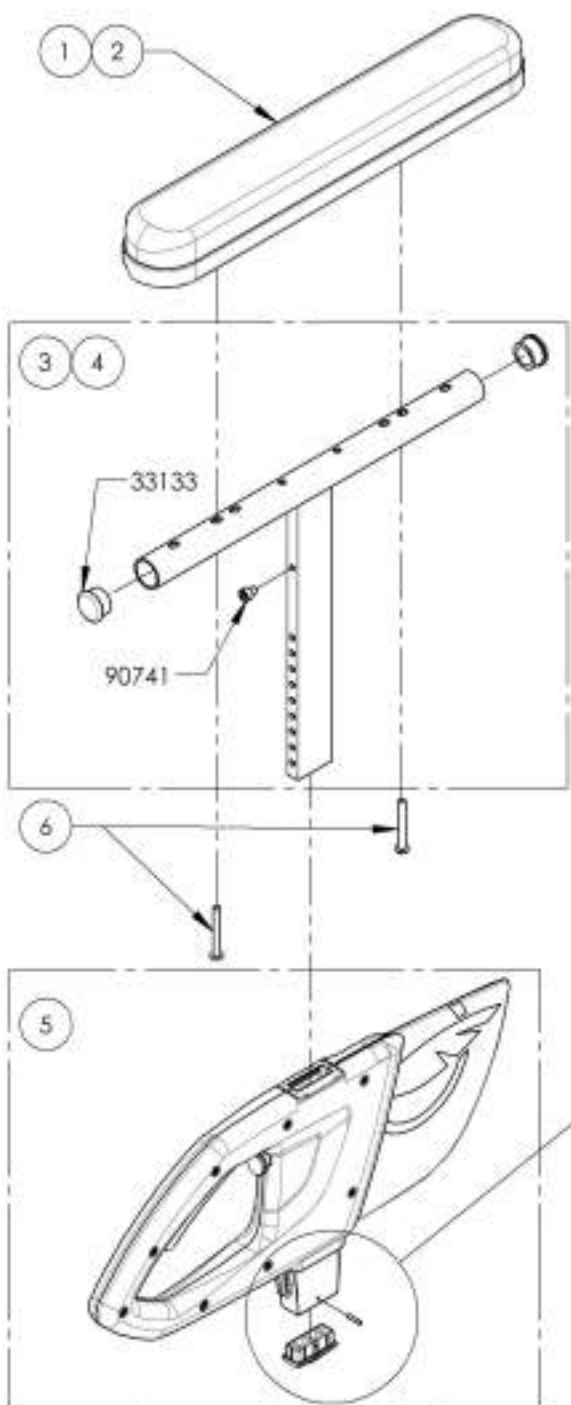


9003556
Armrest - T Type, Left, 8-12 in, Full Length



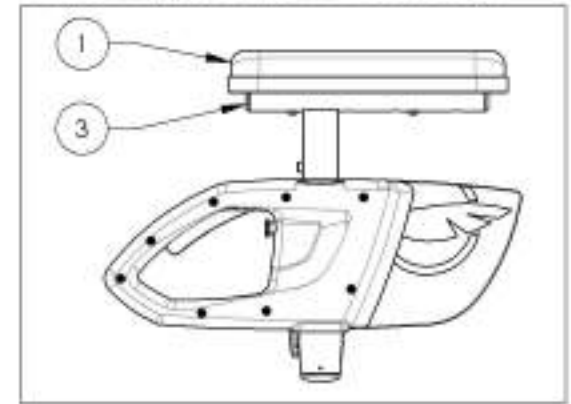
MAKE SURE TO HAVE YOUR SERIAL NUMBER NEARBY WHEN ORDERING PARTS FOR YOUR MOTION COMPOSITES WHEELCHAIR

9003557_9003558
Armrest - T Type, Left, 10-14 in

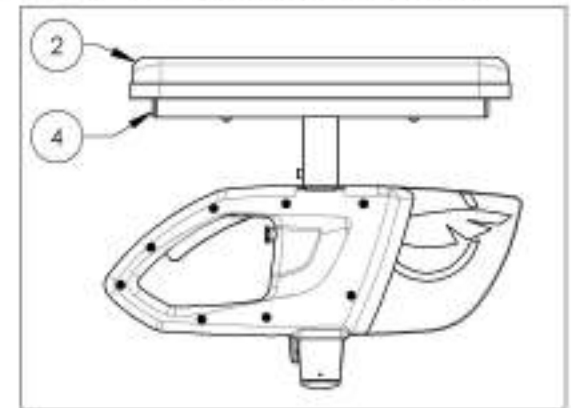


ITEM NO.	PART NO.	DESCRIPTION	9003557 /QTY.	9003558 /QTY.
1	33038	ARMREST DESK PAD	1	-
2	33099	ARMREST FULL LENGTH PAD	-	1
3	33580	V2 ARMREST STRUCTURE 10-14" FOR DESK LENGTH - ASSEMBLY	1	-
4	33560	V2 ARMREST STRUCTURE 10-14" FOR FULL LENGTH - ASSEMBLY	-	1
5	33596	V2T ARMREST - ASSEMBLY	1	1
6	99013	SCREW PHILLIPS PAN HD #10_32 X 1_1_2 + BLUE THREADLOCKER	2	2

9003557
Armrest - T Type, Left, 10-14 in, Desk Length

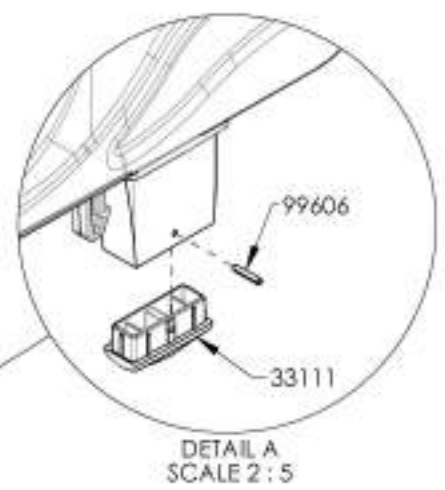
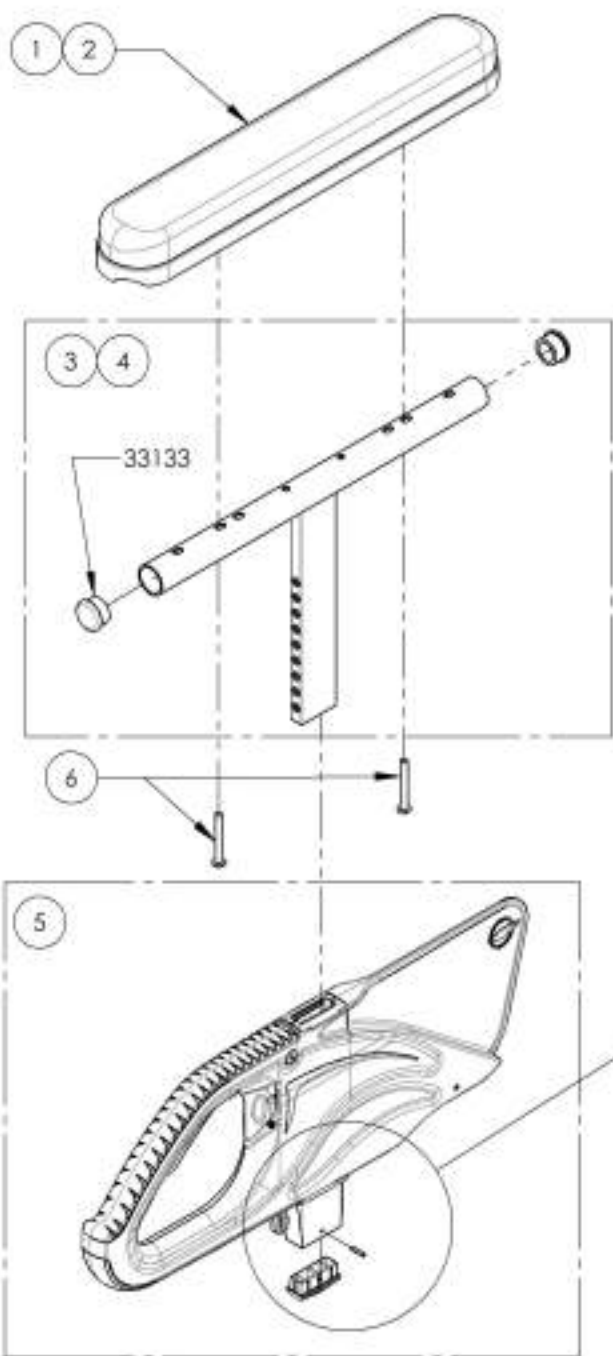


9003558
Armrest - T Type, Left, 10-14 in, Full Length



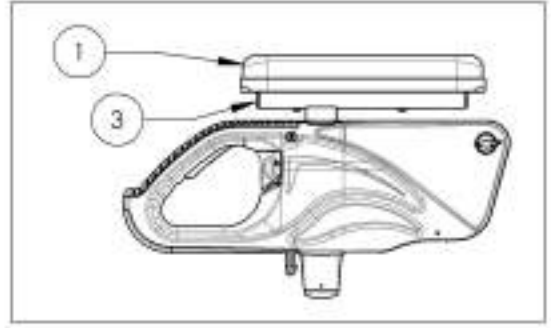
MAKE SURE TO HAVE YOUR SERIAL NUMBER NEARBY WHEN ORDERING PARTS FOR YOUR MOTION COMPOSITES WHEELCHAIR

9001299_9001300
Armrest - Flip Back & T Type Right, 8-12 in

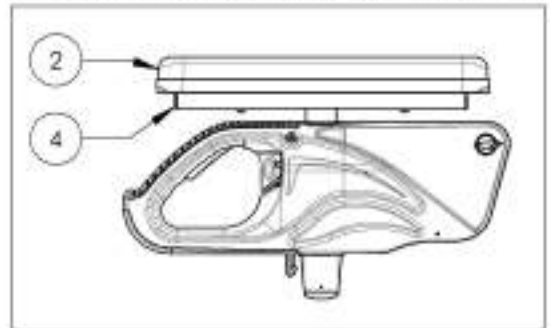


ITEM NO.	PARTNO	DESCRIPTION	9001299 /QTY.	9001300 /QTY.
1	33038	ARMREST DESK PAD	1	-
2	33039	ARMREST FULL LENGTH PAD	-	1
3	33579	V2 ARMREST STRUCTURE 8-12" FOR DESK LENGTH - ASSEMBLY	1	-
4	33559	V2 ARMREST STRUCTURE 8-12" FOR FULL LENGTH - ASSEMBLY	-	1
5	33554	V2 ARMREST - MAIN BODY	1	1
6	99013	SCREW PHILLIPS PAN HD #10_32 X 1_1_2 + BLUE THREADLOCKER	2	2

9001299
 Armrest - Flip Back & T Type Right, 8-12 in, Desk Length

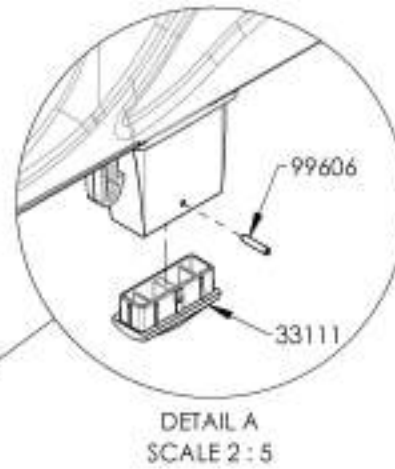
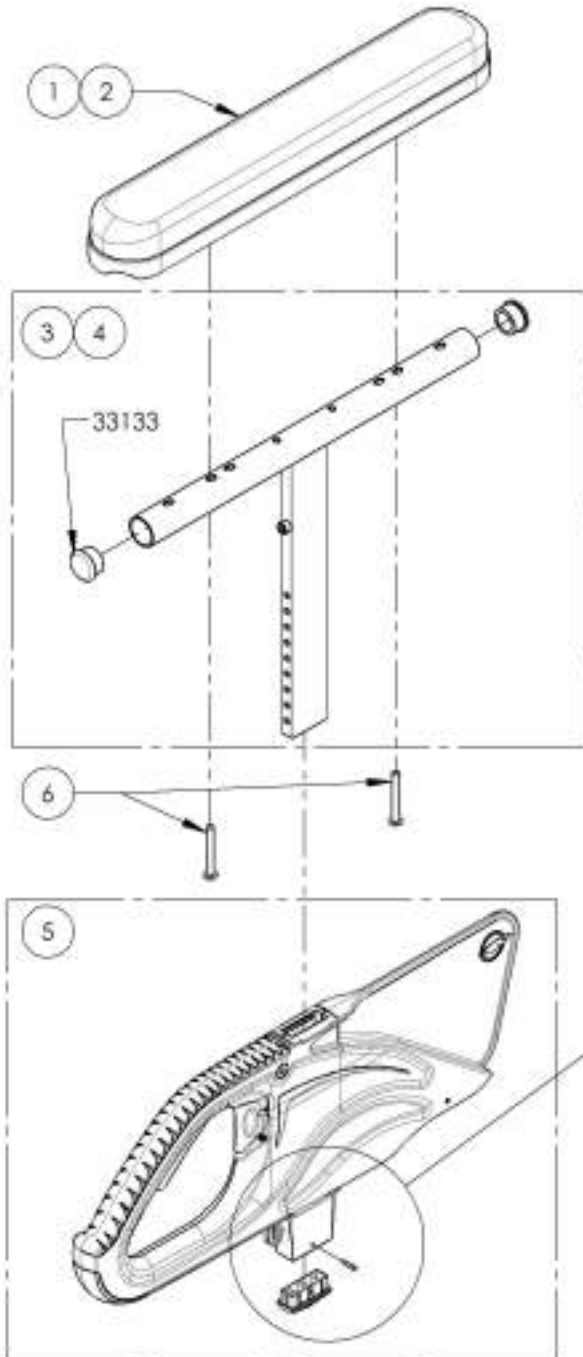


9001300
 Armrest - Flip Back & T Type Right, 8-12 in, Full Length



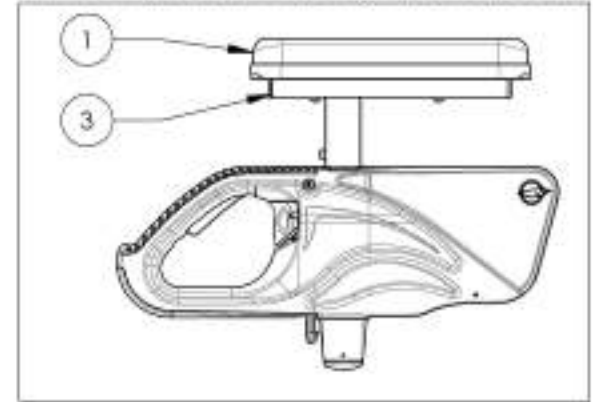
MAKE SURE TO HAVE YOUR SERIAL NUMBER NEARBY WHEN ORDERING PARTS FOR YOUR MOTION COMPOSITES WHEELCHAIR

9001301_9001302
Armrest - Flip Back & T Type Right, 10-14 in

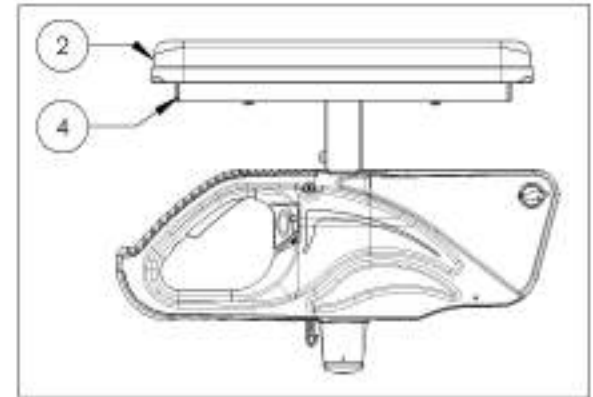


ITEM NO.	PART NO.	DESCRIPTION	9001301 /QTY.	9001302 /QTY.
1	33038	ARMREST DESK PAD	1	-
2	33039	ARMREST FULL LENGTH PAD	-	1
3	33580	V2 ARMREST STRUCTURE 10-14" FOR DESK LENGTH - ASSEMBLY	1	-
4	33560	V2 ARMREST STRUCTURE 10-14" FOR FULL LENGTH - ASSEMBLY	-	1
5	33554	V2 ARMREST - MAIN BODY	1	1
6	99013	SCREW PHILLIPS PAN HD #10,32 X 1,1_2 + BLUE THREADLOCKER	2	2

9001301
Armrest - Flip Back & T Type Right, 10-14 in, Desk Length

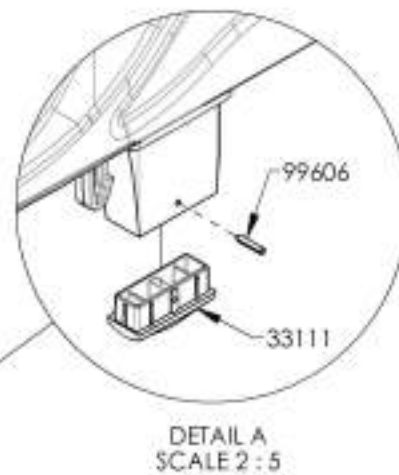
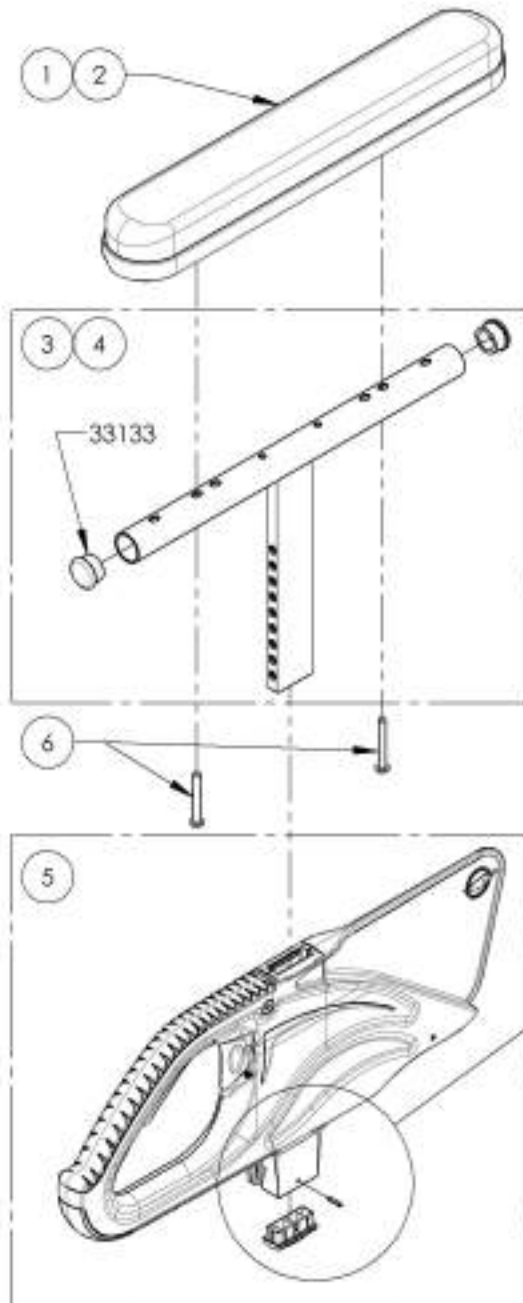


9001302
Armrest - Flip Back & T Type Right, 10-14 in, Full Length



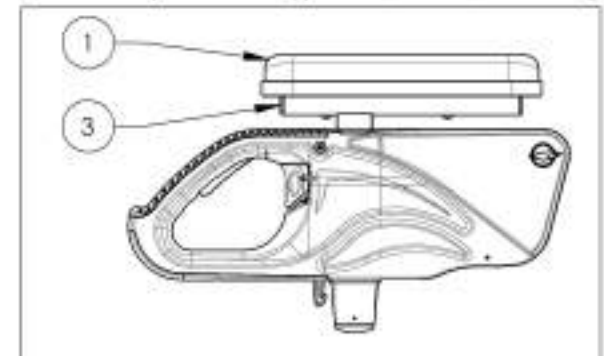
MAKE SURE TO HAVE YOUR SERIAL NUMBER NEARBY WHEN ORDERING PARTS FOR YOUR MOTION COMPOSITES WHEELCHAIR

9001303_9001304
Armrest - Flip Back & T Type Left, 8-12 in

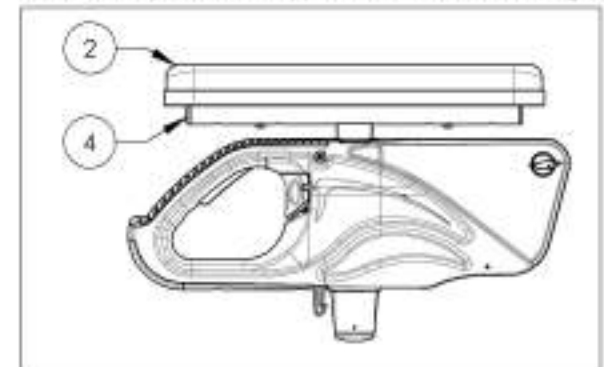


ITEM NO.	PARTNO	DESCRIPTION	9001303 /QTY.	9001304 /QTY.
1	33038	ARMREST DESK PAD	1	-
2	33039	ARMREST FULL LENGTH PAD	-	1
3	33579	V2 ARMREST STRUCTURE 8-12" FOR DESK LENGTH - ASSEMBLY	1	-
4	33589	V2 ARMREST STRUCTURE 8-12" FOR FULL LENGTH - ASSEMBLY	-	1
5	33554	V2 ARMREST - MAIN BODY	1	1
6	99013	SCREW PHILLIPS PAN HD #10_32 X 1_1_2 + BLUE THREADLOCKER	2	2

9001303
 Armrest - Flip Back & T Type Left, 8-12 in, Desk Length

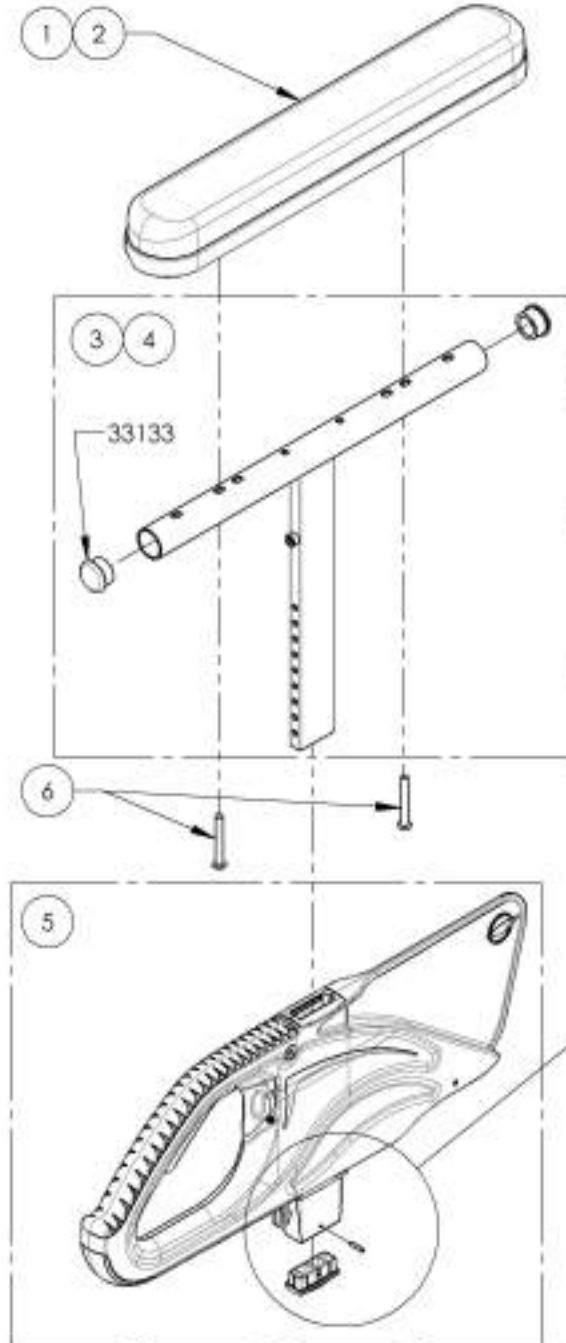


9001304
 Armrest - Flip Back & T Type Left, 8-12 in, Full Length



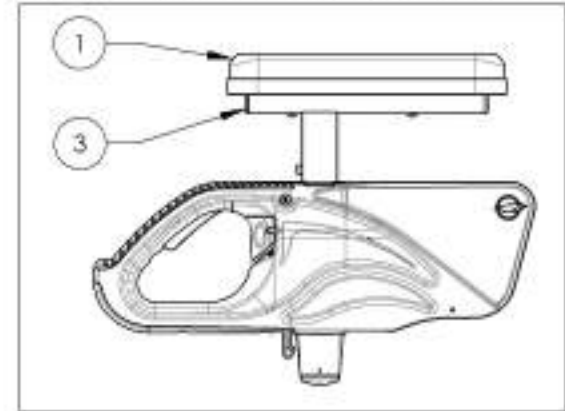
MAKE SURE TO HAVE YOUR SERIAL NUMBER
 NEARBY WHEN ORDERING PARTS FOR YOUR
 MOTION COMPOSITES WHEELCHAIR

9001305_9001306
Armrest - Flip Back & T Type Left, 10-14 in

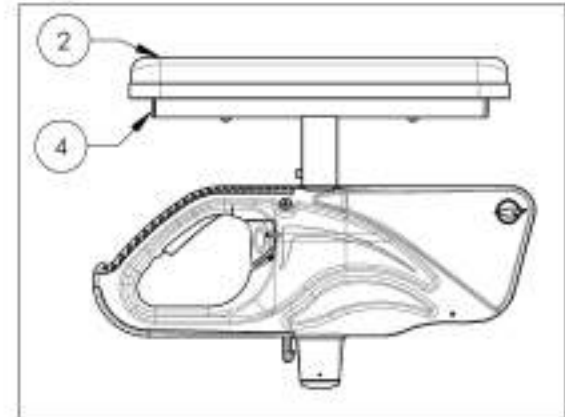


ITEM NO.	PART NO.	DESCRIPTION	9001305 /QTY.	9001306 /QTY.
1	33038	ARMREST DESK PAD	1	-
2	33039	ARMREST FULL LENGTH PAD	-	1
3	33580	V2 ARMREST STRUCTURE 10-14" FOR DESK LENGTH - ASSEMBLY	1	-
4	33580	V2 ARMREST STRUCTURE 10-14" FOR FULL LENGTH - ASSEMBLY	-	1
5	33554	V2 ARMREST - MAIN BODY	1	1
6	99013	SCREW PHILLIPS PAN HD #10_32 X 1_1_2 - BLUE THREADLOCKER	2	2

9001305
Armrest - Flip Back & T Type Left, 10-14 in, Desk Length



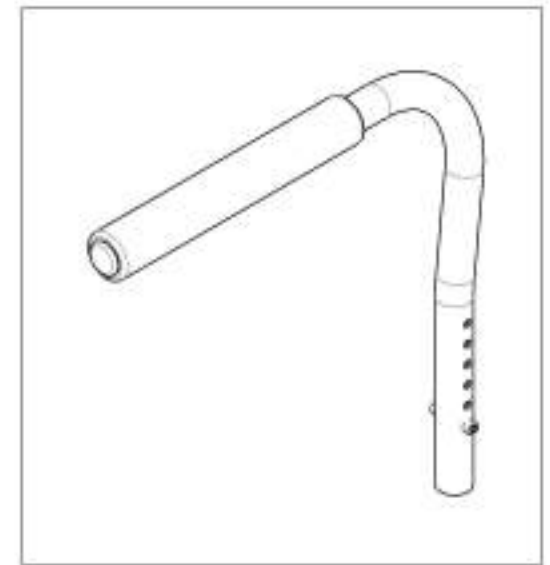
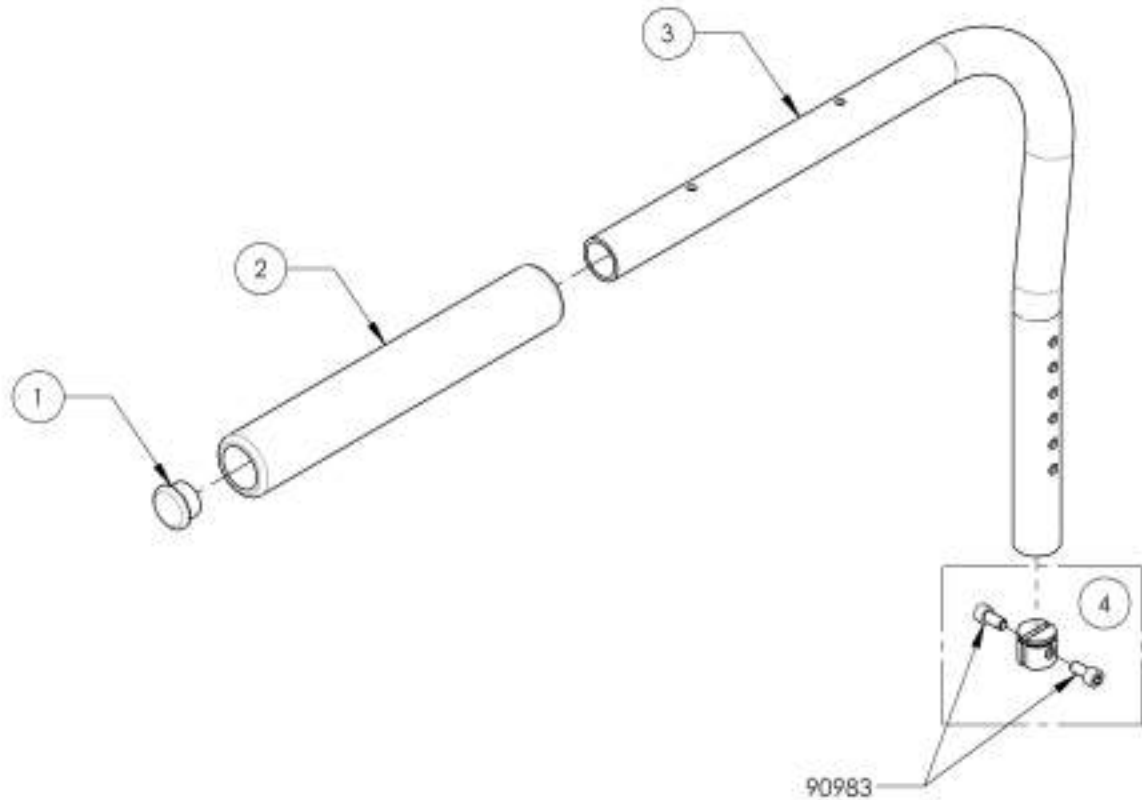
9001306
Armrest - Flip Back & T Type Left, 10-14 in, Full Length



MAKE SURE TO HAVE YOUR SERIAL NUMBER NEARBY WHEN ORDERING PARTS FOR YOUR MOTION COMPOSITES WHEELCHAIR

**9001308
Armrest - Swing Away, Right, Tubular**

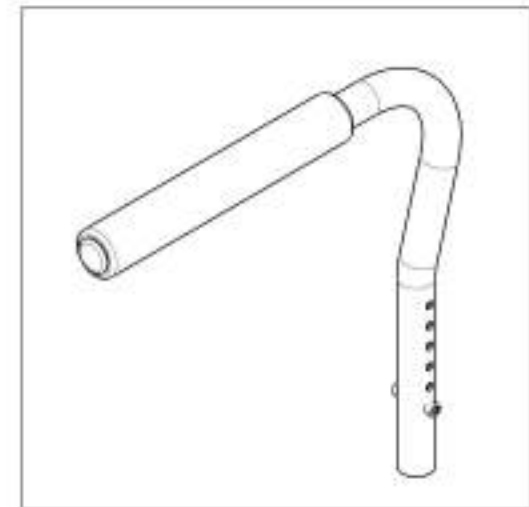
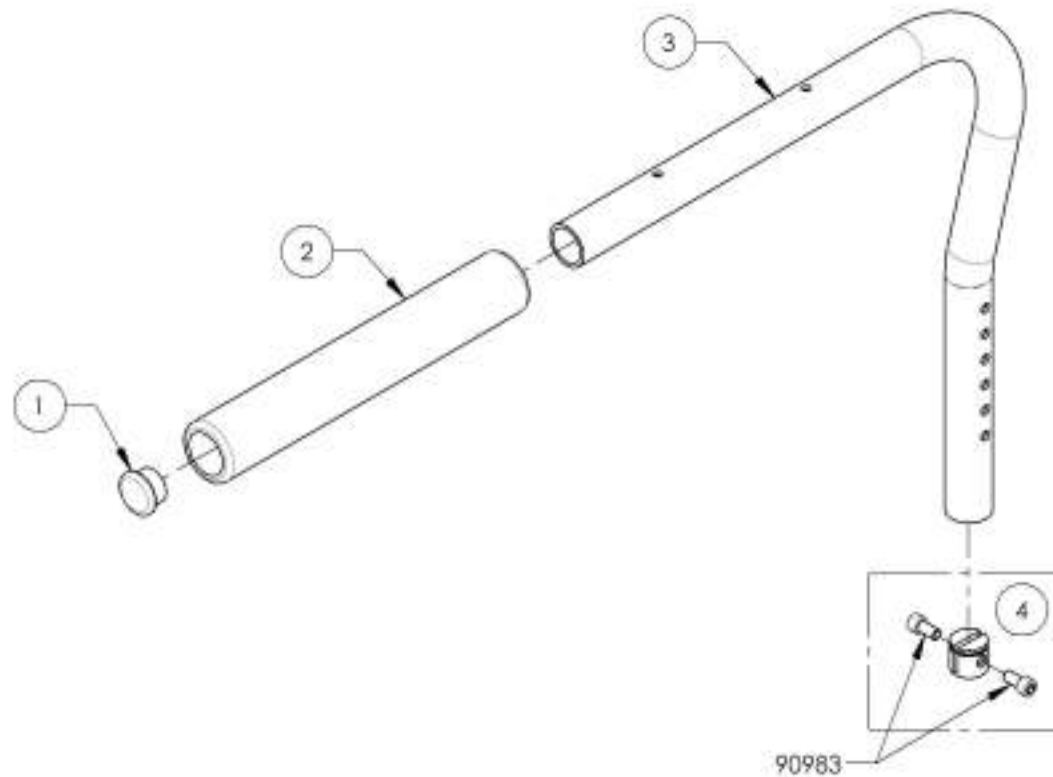
ITEM NO.	PARTNO	DESCRIPTION	9001308 /QTY.
1	99702	CAP 1 IN ALU	1
2	33049	SWING AWAY TUBULAR FOAM GRP	1
3	33035	L TYPE ARMREST RIGHT (M)	1
4	33552	SWING AWAY SPLIT NUT - ASSEMBLY (M)	1



MAKE SURE TO HAVE YOUR SERIAL NUMBER
NEARBY WHEN ORDERING PARTS FOR YOUR
MOTION COMPOSITES WHEELCHAIR

**9001309
Armrest - Swing Away, Left, Tubular**

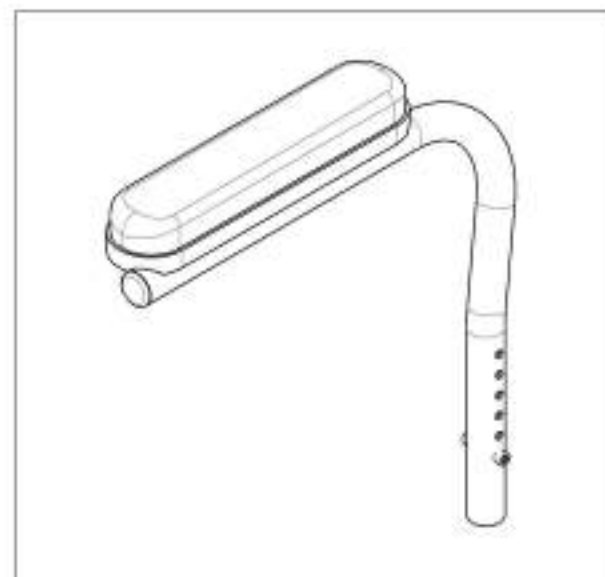
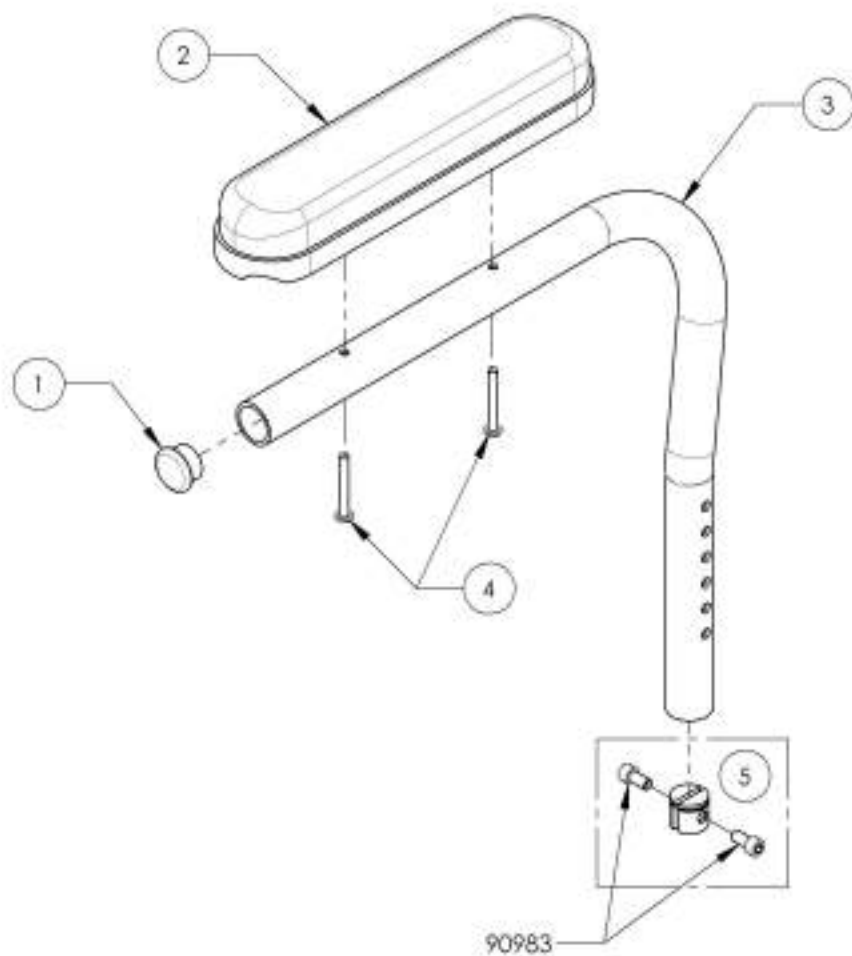
ITEM NO.	PARTNO	DESCRIPTION	9001309 QTY.
1	99702	CAP 1 IN ALU	1
2	33049	SWING AWAY TUBULAR FOAM GRIP	1
3	33036	L TYPE ARMREST LEFT (M)	1
4	33652	SWING AWAY SPLIT NUT - ASSEMBLY (M)	1



MAKE SURE TO HAVE YOUR SERIAL NUMBER
NEARBY WHEN ORDERING PARTS FOR YOUR
MOTION COMPOSITES WHEELCHAIR

**9001310
Armrest - Swing Away, Right, Desk Length**

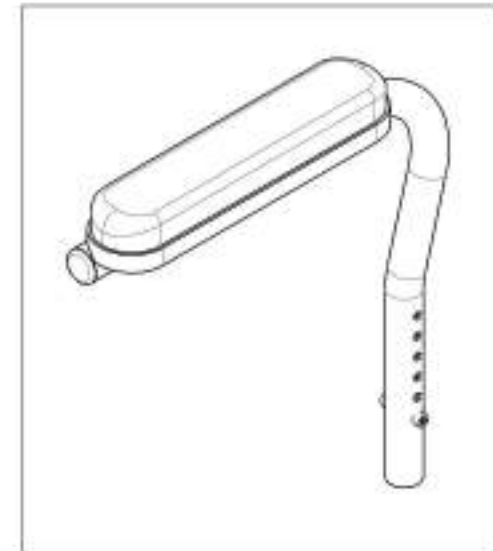
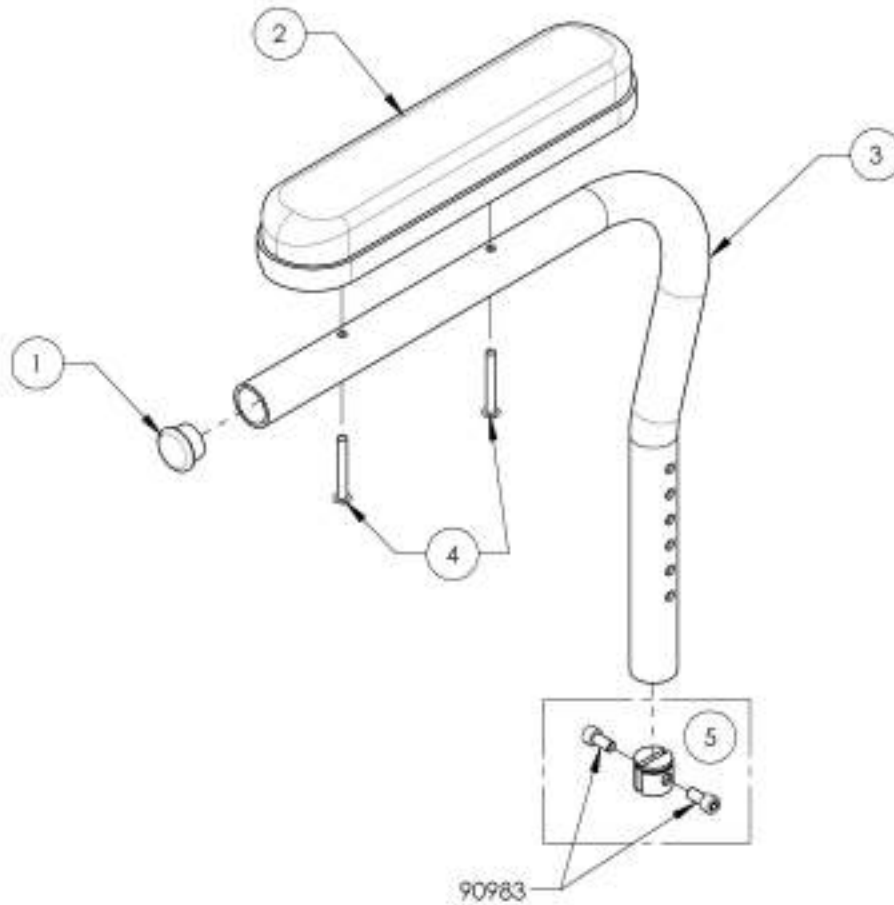
ITEM NO.	PARTNO	DESCRIPTION	9001310 /QTY.
1	99702	CAP 1 IN ALLI	1
2	33008	ARMREST DESK PAD	1
3	33035	LTYPE ARMREST RIGHT (M)	1
4	99013	SCREW PHILLIPS PAN HD #10_32 X 1_1_2 + BLUE THREADLOCKER	2
5	33552	SWING AWAY SPLIT NUT - ASSEMBLY (M)	1



MAKE SURE TO HAVE YOUR SERIAL NUMBER
NEARBY WHEN ORDERING PARTS FOR YOUR
MOTION COMPOSITES WHEELCHAIR

9001311
Armrest - Swing Away, Left, Desk Length

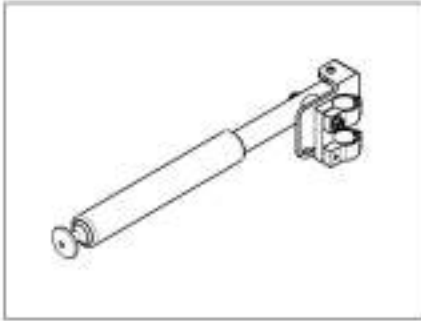
ITEM NO.	PARTNO	DESCRIPTION	9001311 /QTY.
1	99702	CAP 1 IN ALU	1
2	33038	ARMREST DESK PAD	1
3	33036	L TYPE ARMREST LEFT (M)	1
4	99013	SCREW PHILLIPS PAN HD #10_32 X 1_1_2 + BLUE THREADLOCKER	2
5	33552	SWING AWAY SPLIT NUT - ASSEMBLY (M)	1



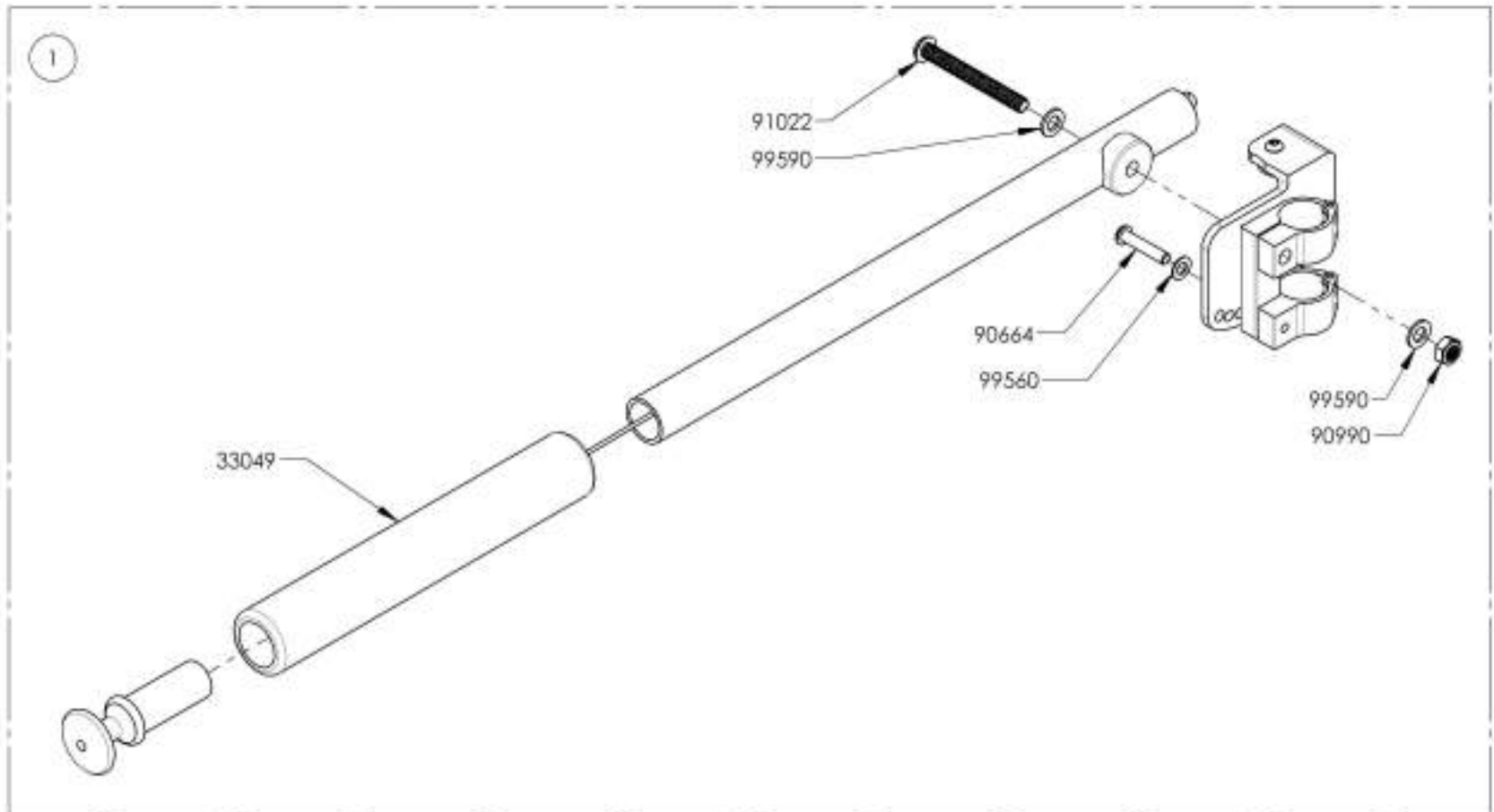
MAKE SURE TO HAVE YOUR SERIAL NUMBER
 NEARBY WHEN ORDERING PARTS FOR YOUR
 MOTION COMPOSITES WHEELCHAIR

9001316
Locking Armrest - Flip Up, Right

FEM NO.	PARTNO	DESCRIPTION	9001316 /QTY.
1	33003	FLIP UP I ARMREST - RIGHT ASSEMBLY (M)	1



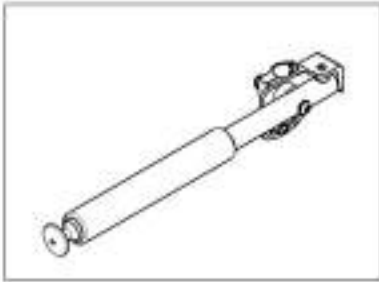
Depth Adjustable Back Canes
Limited to **175lbs MAX**



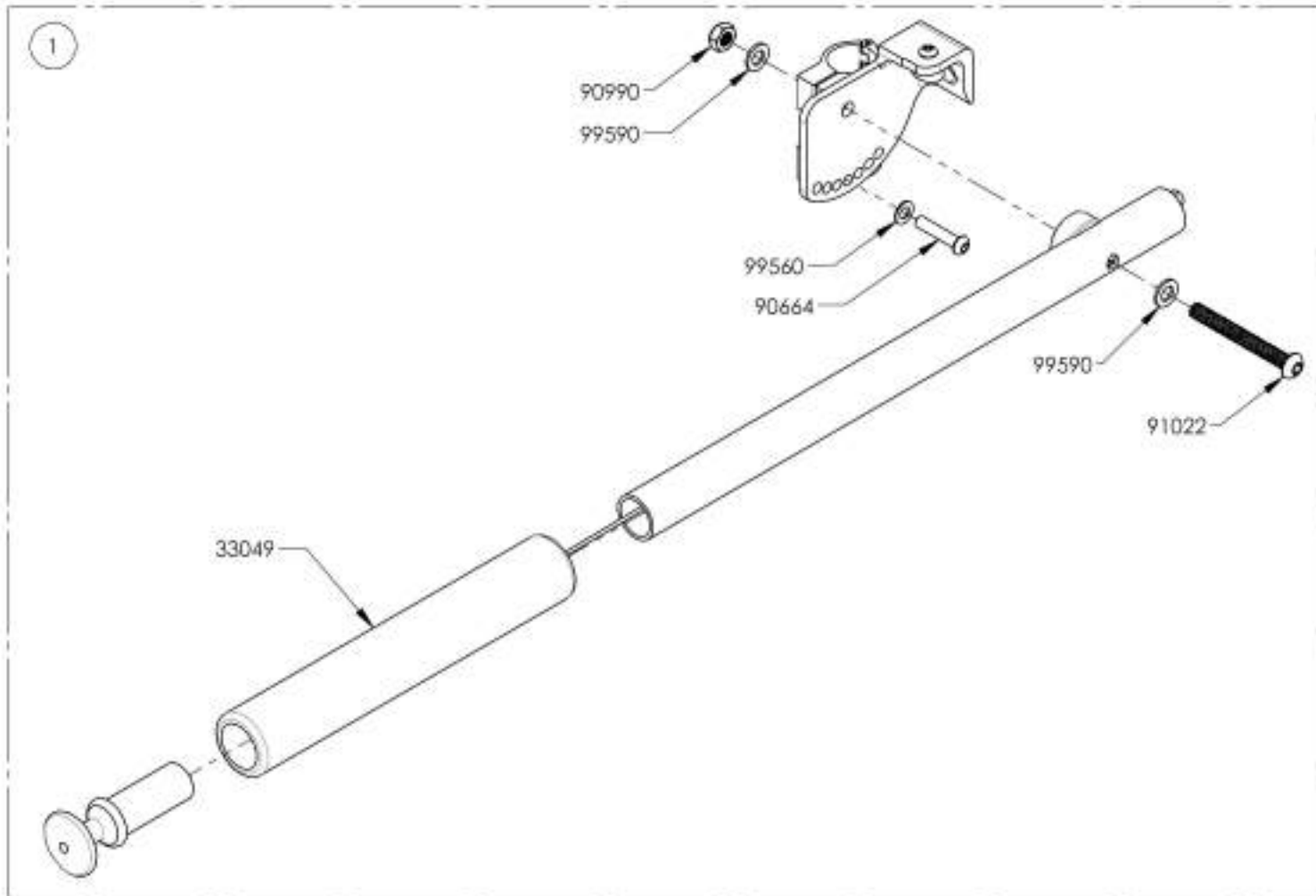
MAKE SURE TO HAVE YOUR SERIAL NUMBER
NEARBY WHEN ORDERING PARTS FOR YOUR
MOTION COMPOSITES WHEELCHAIR

9001317
Locking Armrest - Flip Up, Left

ITEM NO.	PARTNO	DESCRIPTION	9001317 QTY.
1	33504	FLIP UP I ARMREST - LEFT ASSEMBLY (M)	1



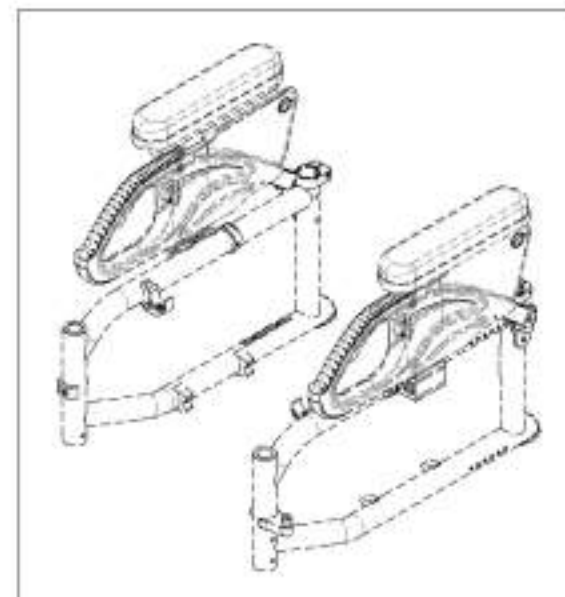
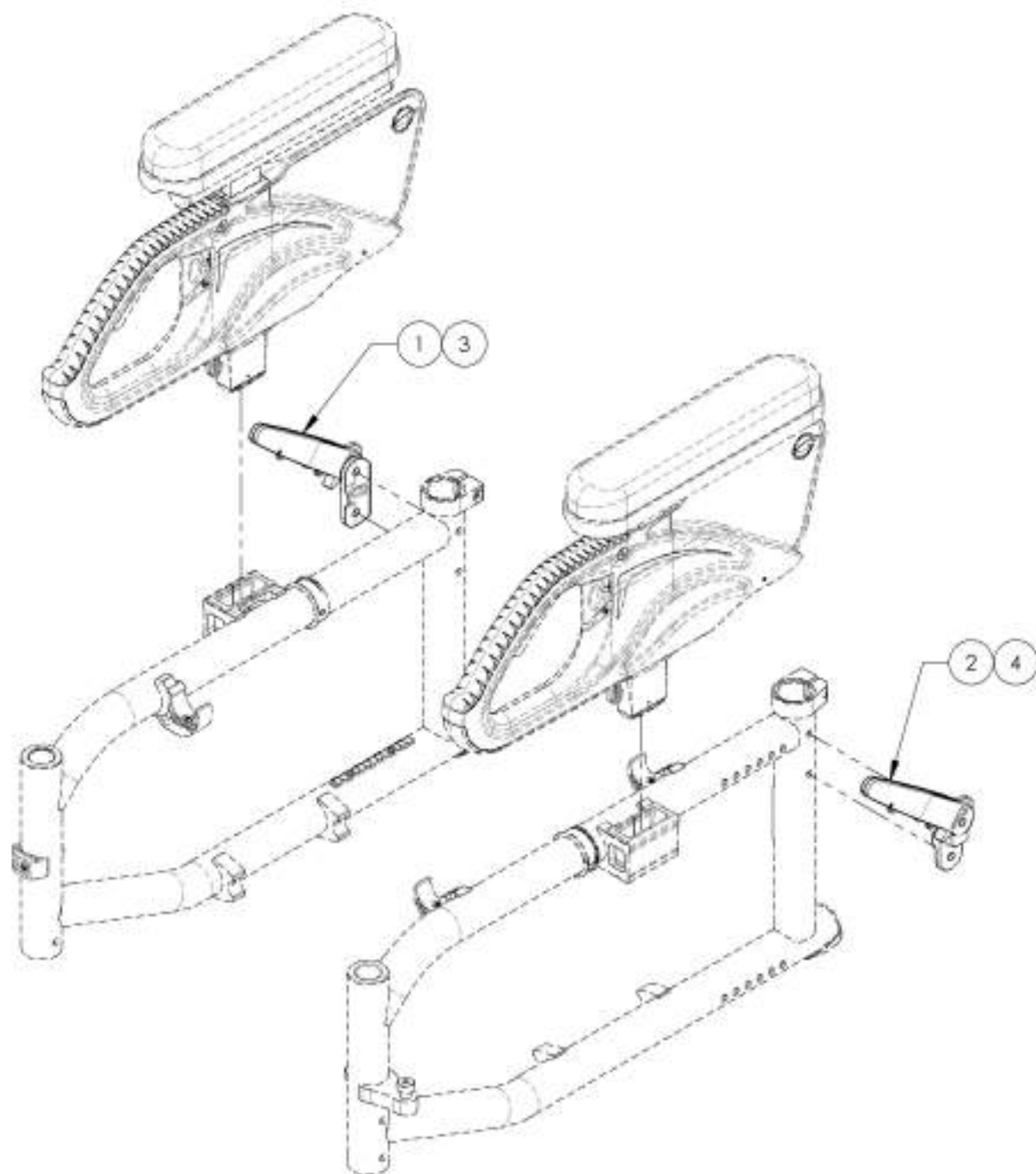
Depth Adjustable Back Canes
Limited to **175lbs MAX**



MAKE SURE TO HAVE YOUR SERIAL NUMBER
NEARBY WHEN ORDERING PARTS FOR YOUR
MOTION COMPOSITES WHEELCHAIR

Armrest Catalogue
Armrests - Flip Back Receiver Type 2

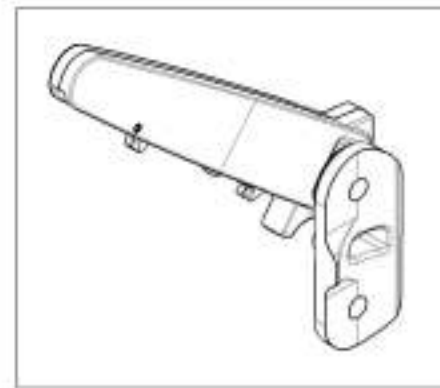
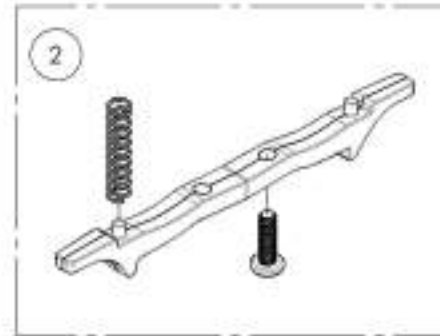
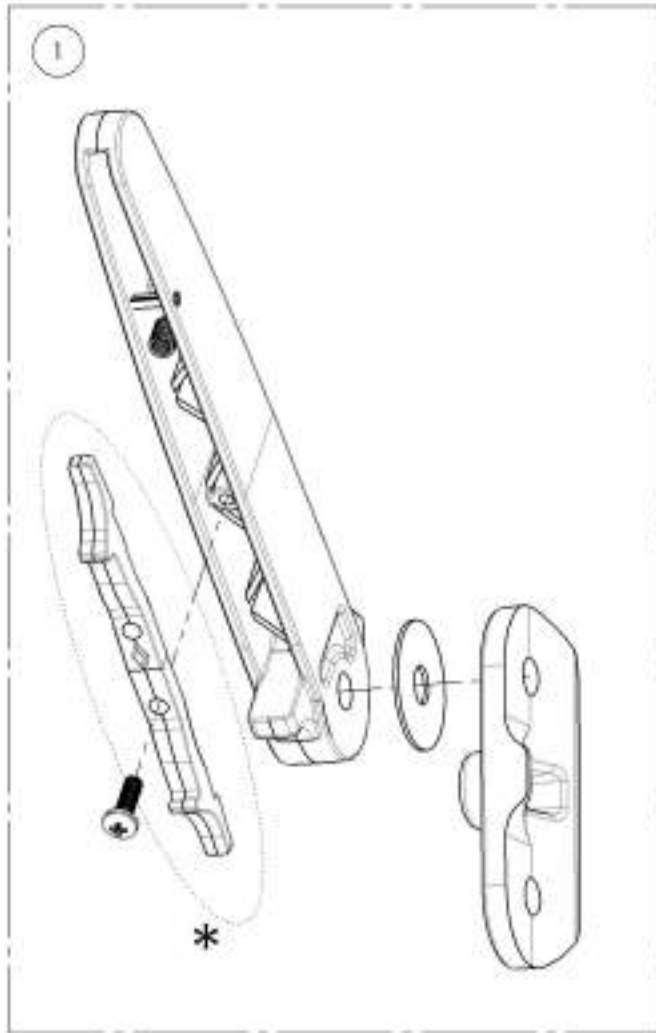
ITEM NO.	PARTNO	DESCRIPTION	QTY.
1	9001313	Armrest - Rear Pivot, Flip Back, Type 2, Right	1
2	9001314	Armrest - Rear Pivot, Flip Back, Type 2, Left	1
3	9002851	Correction Kit - Rear Pivot, Flip Back, Type 2, Right	1
4	9002852	Correction Kit - Rear Pivot, Flip Back, Type 2, Left	1



MAKE SURE TO HAVE YOUR SERIAL NUMBER
 NEARBY WHEN ORDERING PARTS FOR YOUR
 MOTION COMPOSITES WHEELCHAIR

9001313
Armrest - Rear Pivot, Flip Back, Type 2, Right

ITEM NO.	PART NO.	DESCRIPTION	9001313 /QTY.	REPLACEMENT PARTS/QTY.
1	33558	V2 ARMREST REAR PIVOT - ASSEMBLY	1	-
2	33561	V2 ARMREST DOUBLE HOOK TRIGGER - ASSEMBLY	-	1



*** DOUBLE TRIGGER INSTALLATION OPTIONS**

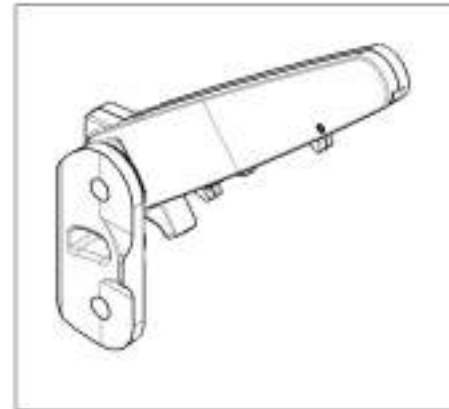
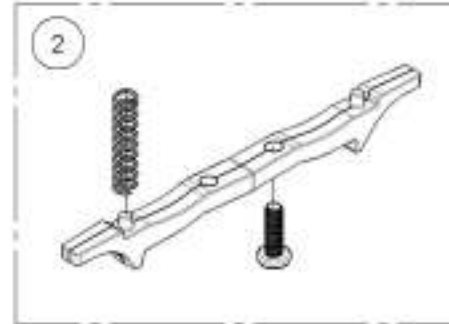
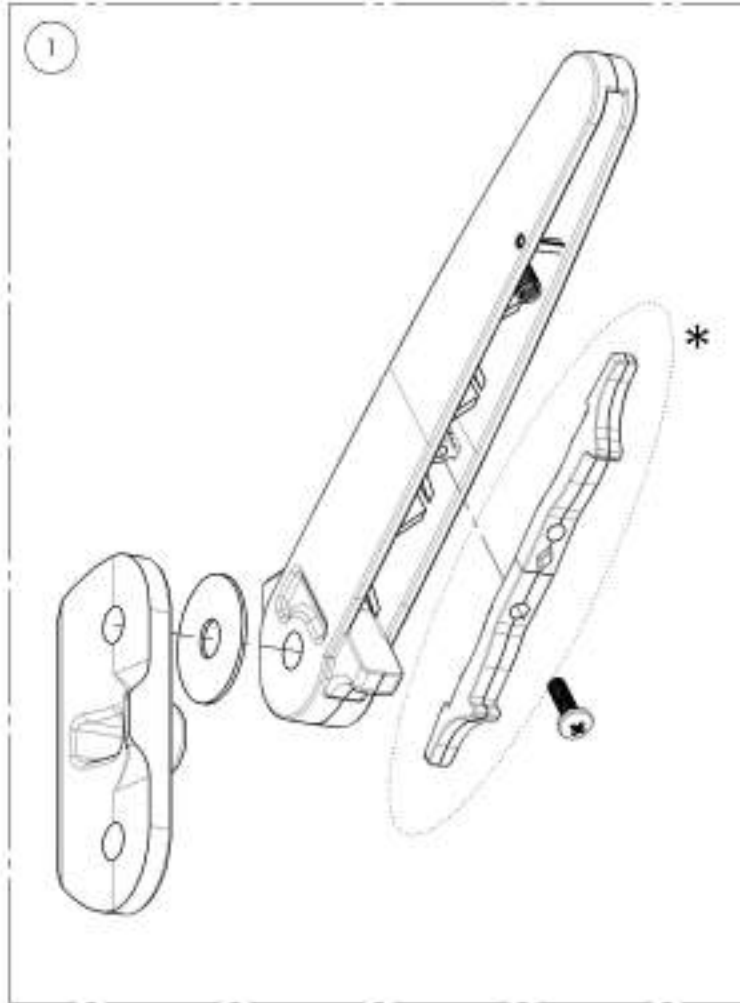
STANDARD RELEASE	LOCK POSITION
DETAIL A	DETAIL B

NOTICE THE DIRECTION OF THE DIAMOND SHAPE ON THE TRIGGER. HIS DISTANCE FROM THE SCREW INDICATES THE CONFIGURATION USED

MAKE SURE TO HAVE YOUR SERIAL NUMBER NEARBY WHEN ORDERING PARTS FOR YOUR MOTION COMPOSITES WHEELCHAIR

9001314
Armrest - Rear Pivot, Flip Back, Type 2, Left

ITEM NO.	PARTNO	DESCRIPTION	9001314 /QTY.	REPLACEMENT PARTS/QTY.
1	3355B	V2 ARMREST REAR PIVOT - ASSEMBLY	1	-
2	33561	V2 ARMREST DOUBLE HOOK TRIGGER - ASSEMBLY	-	1



***DOUBLE TRIGGER INSTALLATION OPTIONS**

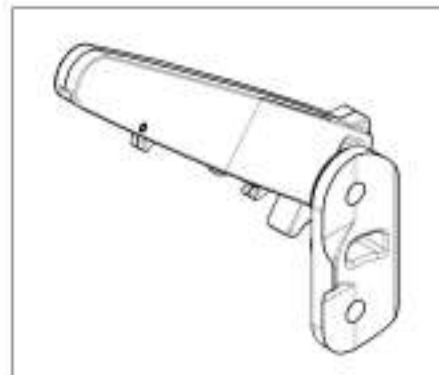
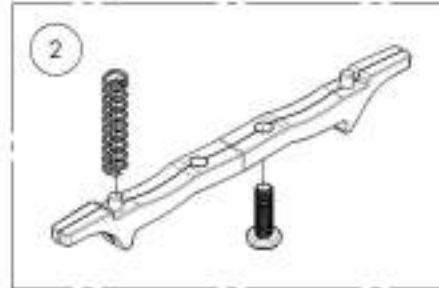
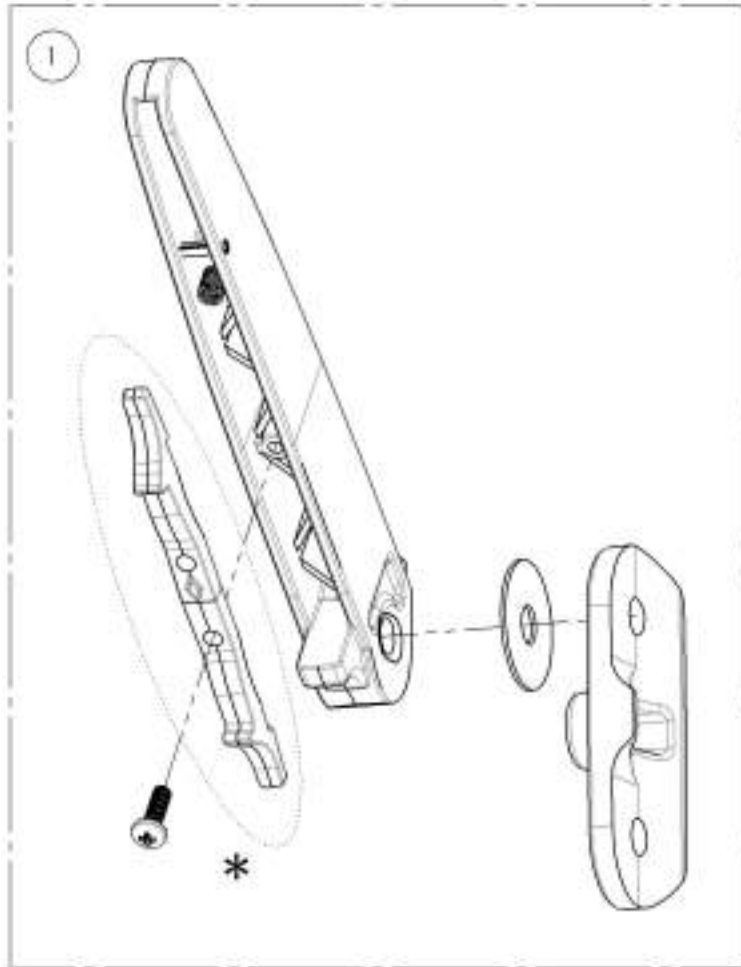
STANDARD RELEASE	LOCK POSITION

NOTICE THE DIRECTION OF THE DIAMOND SHAPE ON THE TRIGGER, HIS DISTANCE FROM THE SCREW INDICATES THE CONFIGURATION USED

MAKE SURE TO HAVE YOUR SERIAL NUMBER NEARBY WHEN ORDERING PARTS FOR YOUR MOTION COMPOSITES WHEELCHAIR

9002851
Correction Kit - Rear Pivot, Flip Back, Type 2, Right

ITEM NO.	PARTNO	DESCRIPTION	9002851 /QTY.	REPLACEMENT PARTS/QTY.
1	33895	CORRECTION KE - V2 ARMREST TYPE 2 REAR PIVOT - ASSY	1	-
2	33561	V2 ARMREST DOUBLE HOOK TRIGGER - ASSEMBLY	-	1



***DOUBLE TRIGGER INSTALLATION OPTIONS**

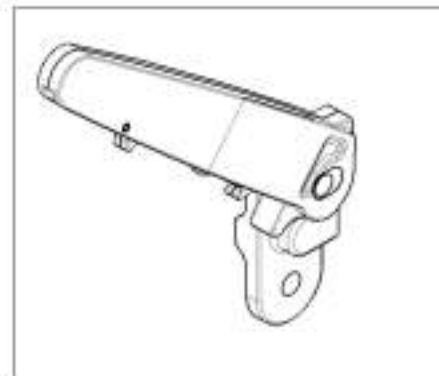
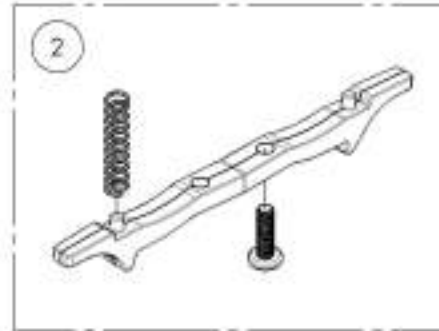
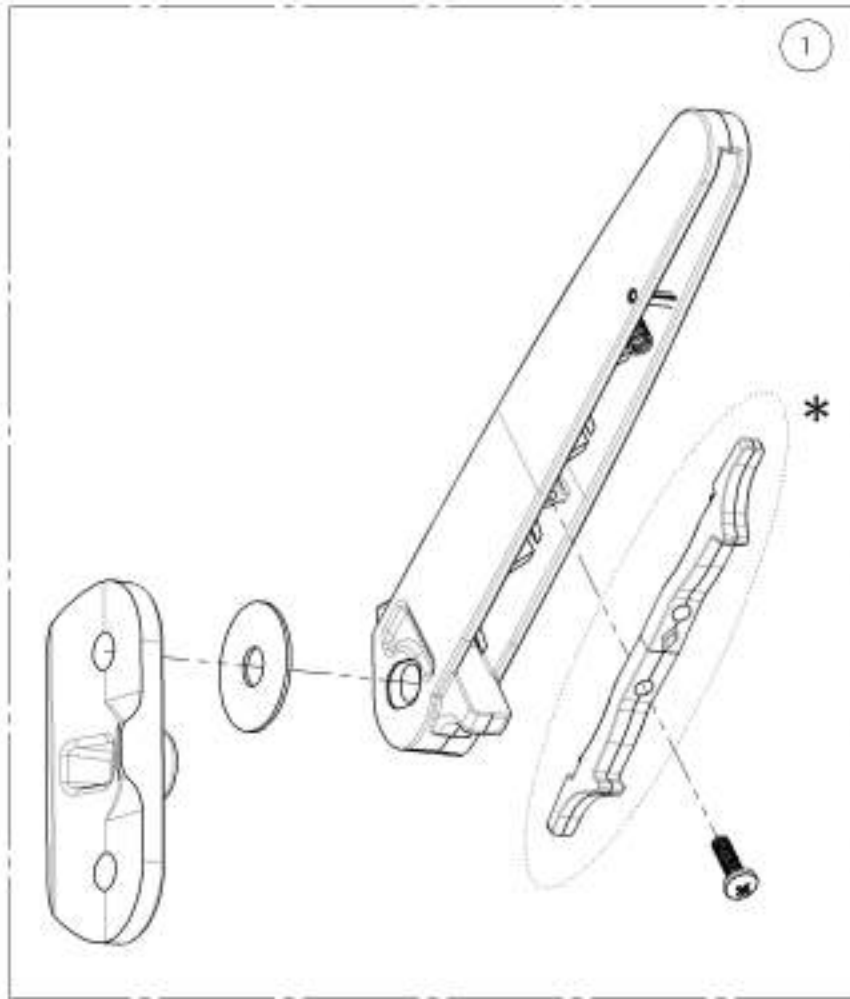
STANDARD RELEASE	LOCK POSITION
DETAIL A	DETAIL B

NOTICE THE DIRECTION OF THE DIAMOND SHAPE ON THE TRIGGER. HIS DISTANCE FROM THE SCREW INDICATES THE CONFIGURATION USED

MAKE SURE TO HAVE YOUR SERIAL NUMBER NEARBY WHEN ORDERING PARTS FOR YOUR MOTION COMPOSITES WHEELCHAIR

9002852
Correction Kit - Rear Pivot, Flip Back, Type 2, Left

ITEM NO.	PART NO.	DESCRIPTION	9002852 / QTY.	REPLACEMENT PARTS / QTY.
1	33595	CORRECTION KE - V2 ARMREST TYPE 2 REAR PIVOT - ASSY	1	-
2	33561	V2 ARMREST DOUBLE HOOK TRIGGER - ASSEMBLY	-	1



***DOUBLE TRIGGER INSTALLATION OPTIONS**

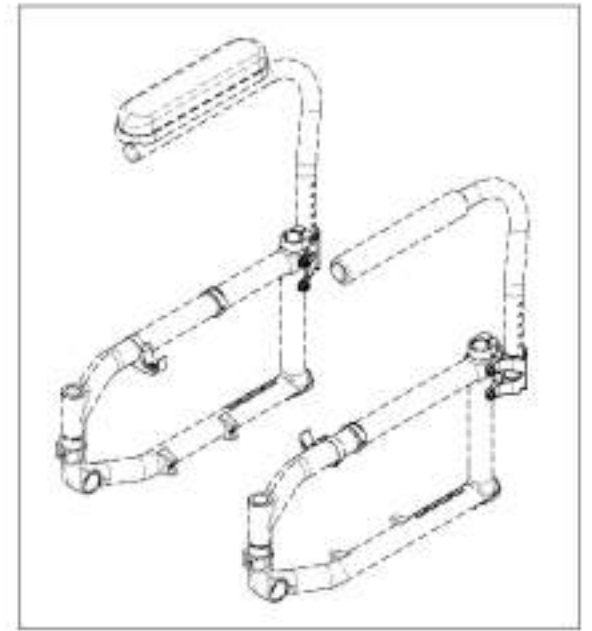
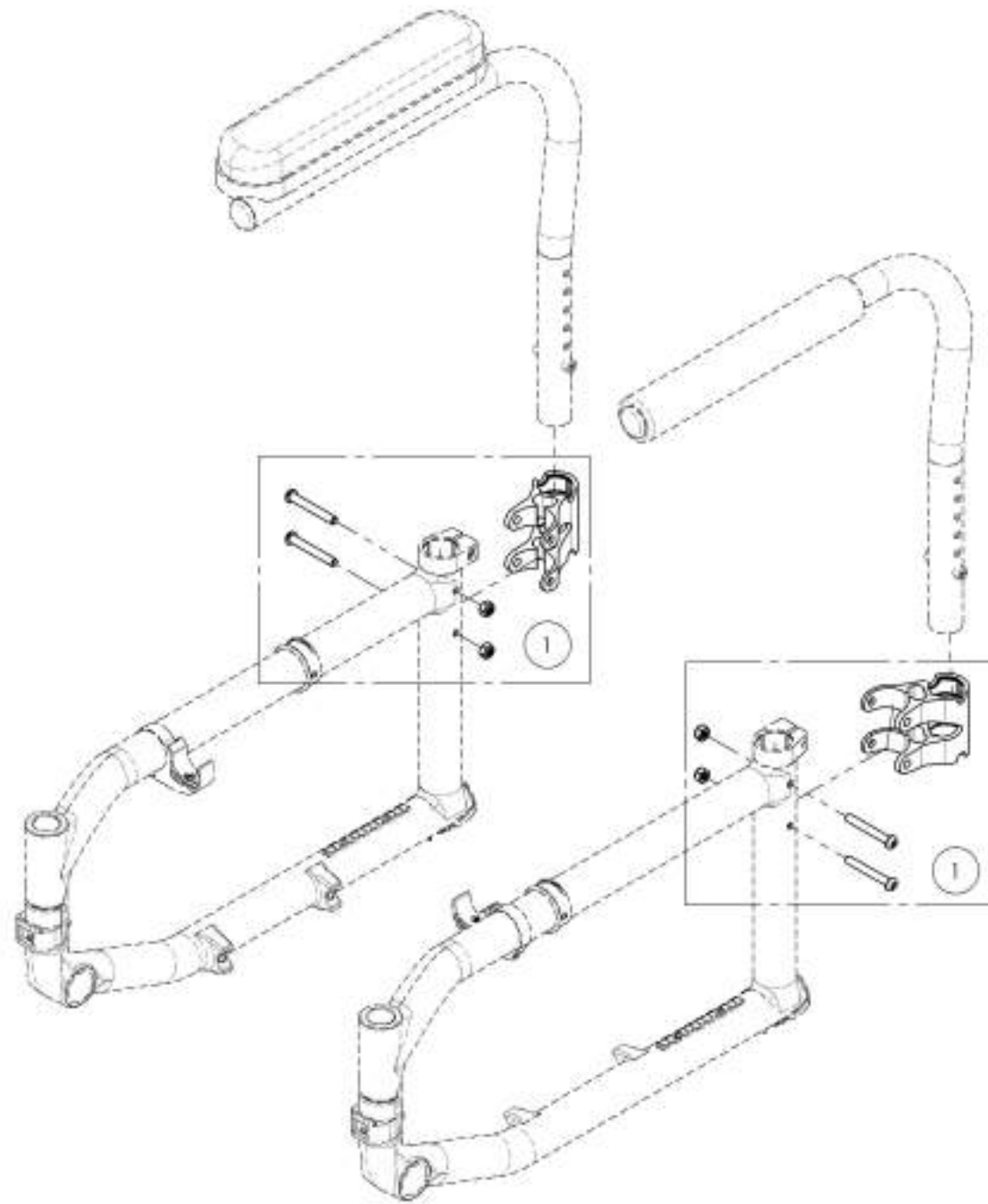
STANDARD RELEASE	LOCK POSITION
DETAIL A	DETAIL B

NOTICE THE DIRECTION OF THE DIAMOND SHAPE ON THE TRIGGER. HIS DISTANCE FROM THE SCREW INDICATES THE CONFIGURATION USED

MAKE SURE TO HAVE YOUR SERIAL NUMBER NEARBY WHEN ORDERING PARTS FOR YOUR MOTION COMPOSITES WHEELCHAIR

Armrest Catalogue
Armrests - Swing Away Receiver

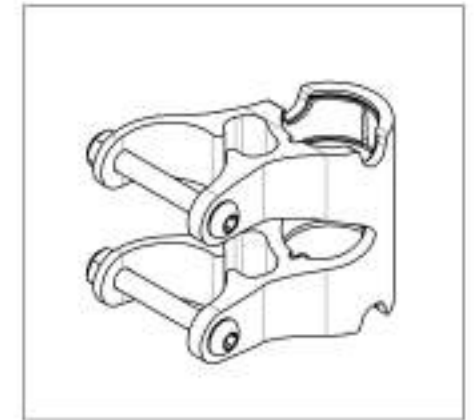
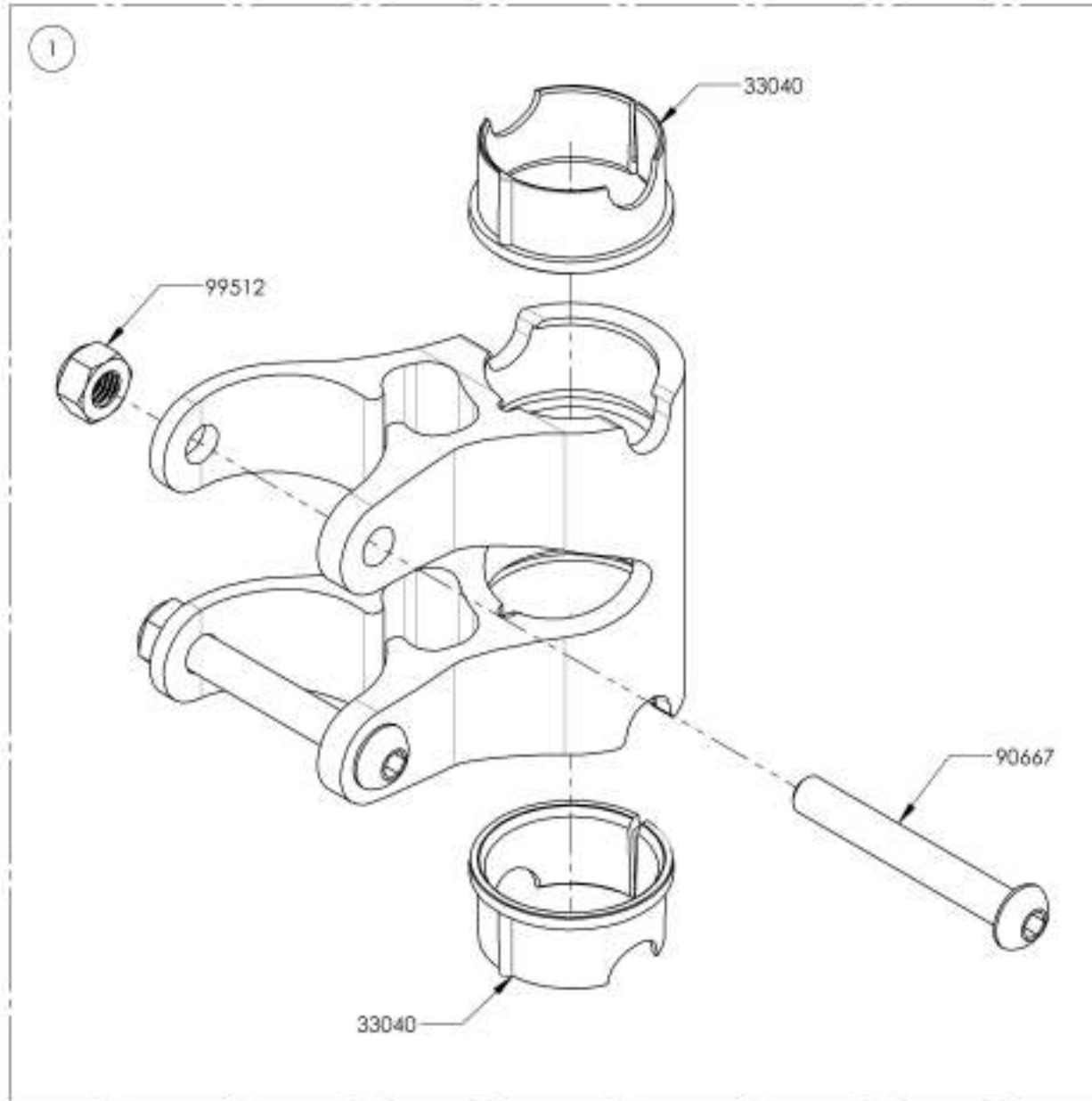
ITEM NO.	PARTNO	DESCRIPTION	QTY
1	R001315	Armrest - Receiver, Swing Away	2



MAKE SURE TO HAVE YOUR SERIAL NUMBER
 NEARBY WHEN ORDERING PARTS FOR YOUR
 MOTION COMPOSITES WHEELCHAIR

9001315
Armrest - Receiver, Swing Away

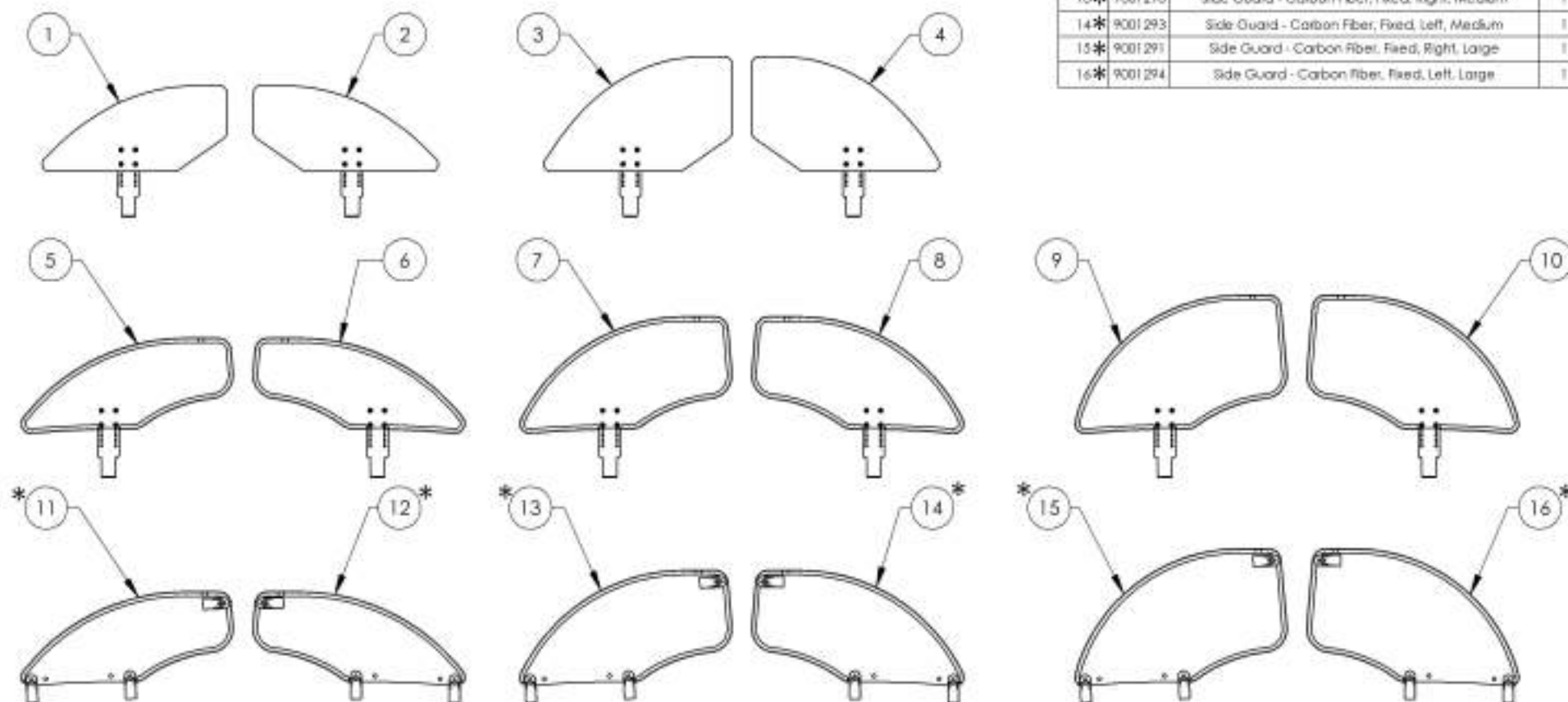
ITEM NO.	PARTNO	DESCRIPTION	9001315 /QTY.
1	33538	L ARMREST HOUSING	1



MAKE SURE TO HAVE YOUR SERIAL NUMBER
NEARBY WHEN ORDERING PARTS FOR YOUR
MOTION COMPOSITES WHEELCHAIR

Sideguard Catalogue
Sideguards

ITEM NO.	PARTNO	DESCRIPTION	QTY
1	9001295	Side Guard - Plastic, Removable, Right, Small	1
2	9001297	Side Guard - Plastic, Removable, Left, Small	1
3	9001296	Side Guard - Plastic, Removable, Right, Medium	1
4	9001298	Side Guard - Plastic, Removable, Left, Medium	1
5	9002489	Removable Side Guard - Carbon Fiber, Right, Small	1
6	9002492	Removable Side Guard - Carbon Fiber, Left, Small	1
7	9002490	Removable Side Guard - Carbon Fiber, Right, Medium	1
8	9002493	Removable Side Guard - Carbon Fiber, Left, Medium	1
9	9002491	Removable Side Guard - Carbon Fiber, Right, Large	1
10	9002494	Removable Side Guard - Carbon Fiber, Left, Large	1
11*	9001289	Side Guard - Carbon Fiber, Fixed, Right, Small	1
12*	9001292	Side Guard - Carbon Fiber, Fixed, Left, Small	1
13*	9001290	Side Guard - Carbon Fiber, Fixed, Right, Medium	1
14*	9001293	Side Guard - Carbon Fiber, Fixed, Left, Medium	1
15*	9001291	Side Guard - Carbon Fiber, Fixed, Right, Large	1
16*	9001294	Side Guard - Carbon Fiber, Fixed, Left, Large	1

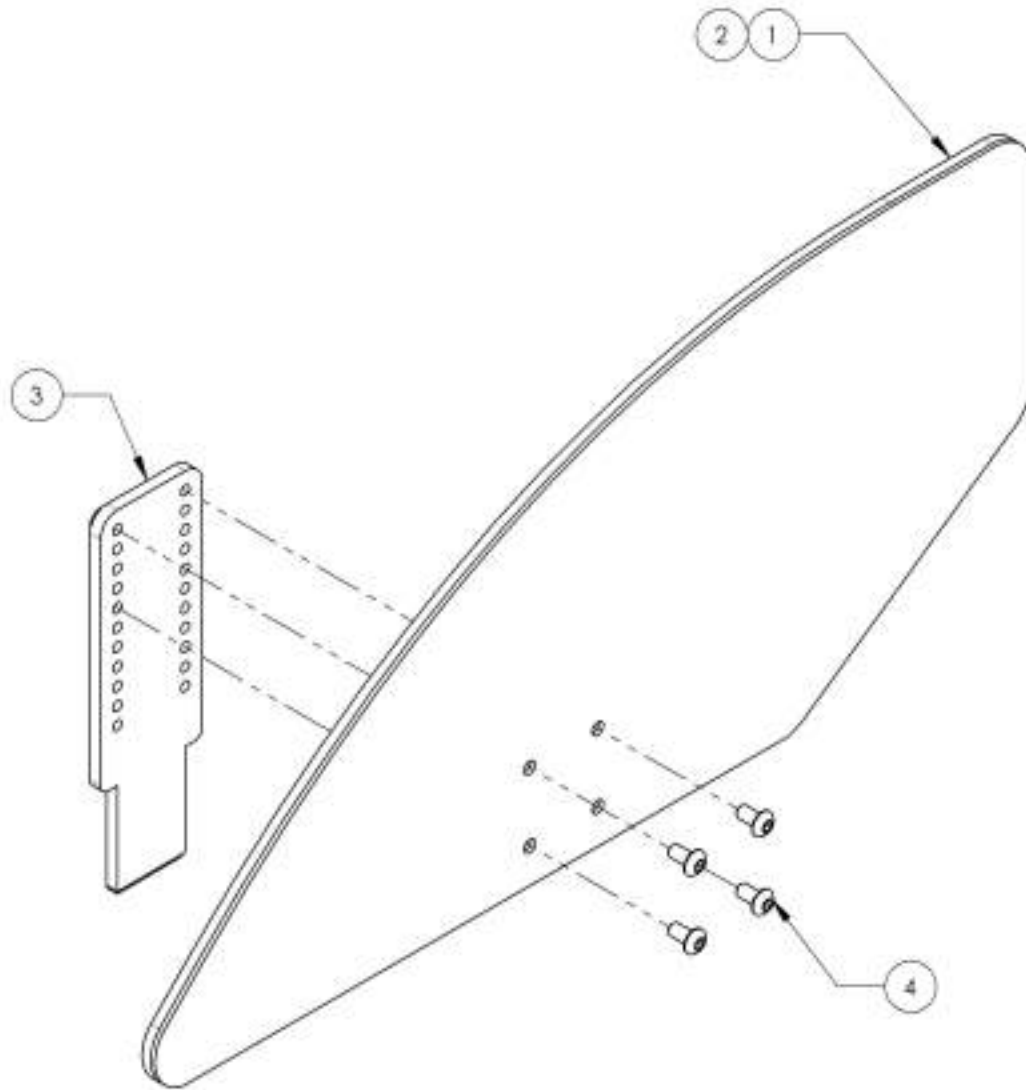


*:NOT AVAILABLE FOR KIDS & APEX WHEELCHAIRS

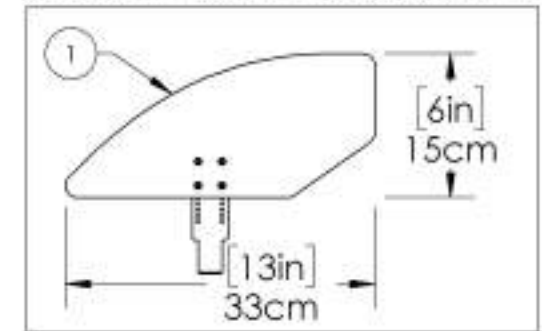
MAKE SURE TO HAVE YOUR SERIAL NUMBER
NEARBY WHEN ORDERING PARTS FOR YOUR
MOTION COMPOSITES WHEELCHAIR

9001295_9001296
Side Guard - Plastic, Removable, Right

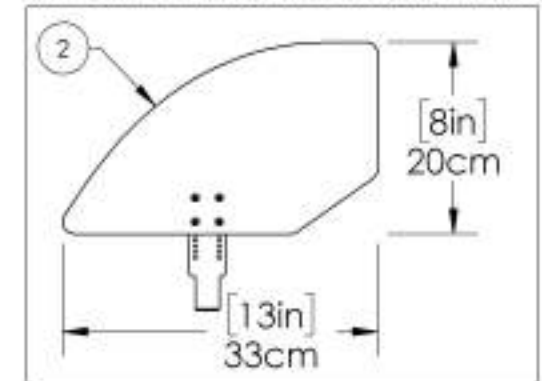
ITEM NO.	PART NO	DESCRIPTION	9001295 /QTY.	9001296 /QTY.
1	51002	RIGID PLASTIC SIDE GUARD SMALL - ASSEMBLY	1	-
2	51003	RIGID PLASTIC SIDE GUARD MEDIUM - ASSEMBLY	-	1
3	51118	MIDGUARD & SIDEGUARD ADJUSTING PLATE	1	1
4	90631	BUTTON HEAD CAP SCREW M4X0.7 X 8mm LONG, FULLY THREADED + BLUE THREADLOCKER - BLACK ZINC	4	4



9001295
 Side Guard - Plastic, Removable, Right, Small



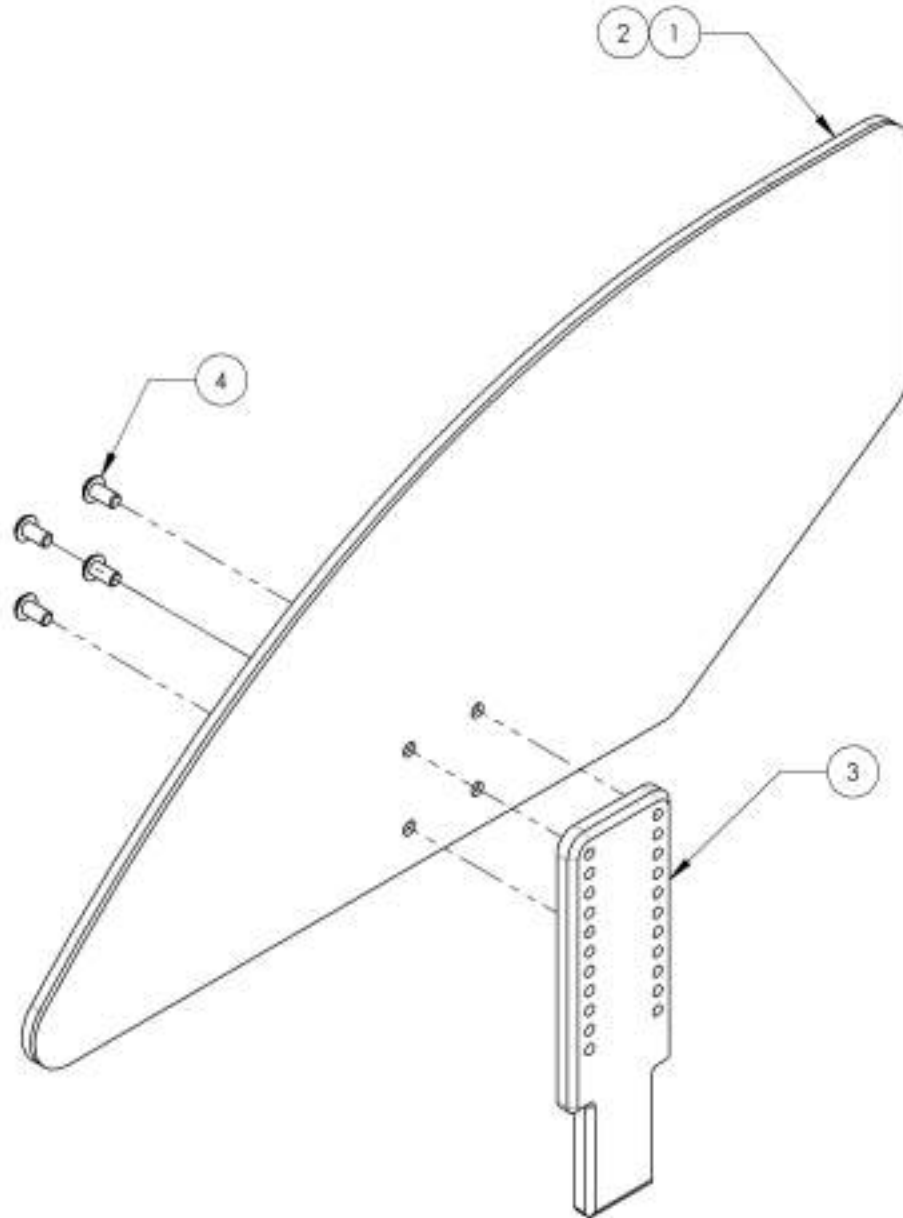
9001296
 Side Guard - Plastic, Removable, Right, Medium



MAKE SURE TO HAVE YOUR SERIAL NUMBER
 NEARBY WHEN ORDERING PARTS FOR YOUR
 MOTION COMPOSITES WHEELCHAIR

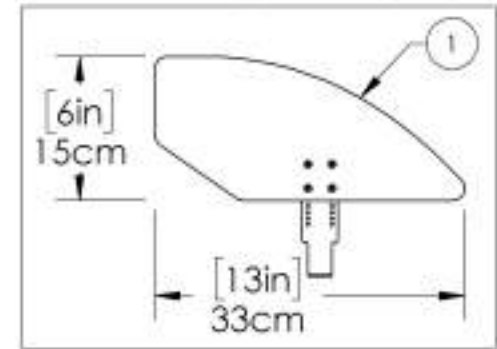
9001297_9001298

Side Guard - Plastic, Removable, Left

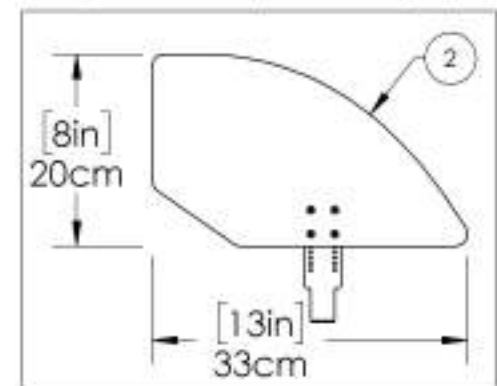


ITEM NO.	PART NO.	DESCRIPTION	9001297 /QTY.	9001298 /QTY.
1	51002	RIGID PLASTIC SIDE GUARD SMALL - ASSEMBLY	1	-
2	51003	RIGID PLASTIC SIDE GUARD MEDIUM - ASSEMBLY	-	1
3	51118	MIDGUARD & SIDEGUARD ADJUSTING PLATE	1	1
4	90631	BUTTON HEAD CAP SCREW M4X0.7 X 8mm LONG, FULLY THREADED + BLUE THREADLOCKER - BLACK ZINC	4	4

9001297
Side Guard - Plastic, Removable, Left, Small



9001298
Side Guard - Plastic, Removable, Left, Medium



MAKE SURE TO HAVE YOUR SERIAL NUMBER NEARBY WHEN ORDERING PARTS FOR YOUR MOTION COMPOSITES WHEELCHAIR

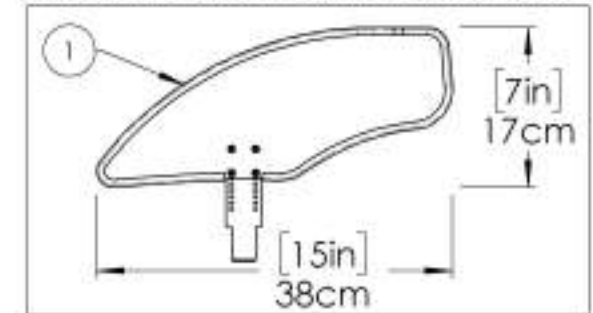
9002489_9002491

Side Guard - Carbon Fiber, Removable, Right

ITEM NO.	PARTNO	DESCRIPTION	9002489 /QTY.	9002490 /QTY.	9002491 /QTY.
1	51213	SMALL ADJUSTABLE CARBON FIBER SIDE GUARD, H-163mm L-372mm - ASSEMBLY	1	-	-
2	51214	MEDIUM ADJUSTABLE CARBON FIBER SIDE GUARD, H-203mm L-372mm - ASSEMBLY	-	1	-
3	51215	LARGE ADJUSTABLE CARBON FIBER SIDE GUARD, H-241mm L-372mm - ASSEMBLY	-	-	1
4	51118	MIDGUARD & SIDE GUARD ADJUSTING PLATE	1	1	1
5	90631	BUTTON HEAD CAP SCREW AN4X0.7 X 8mm LONG, FULLY THREADED + BLUE THREADLOCKER - BLACK ZINC	4	4	4

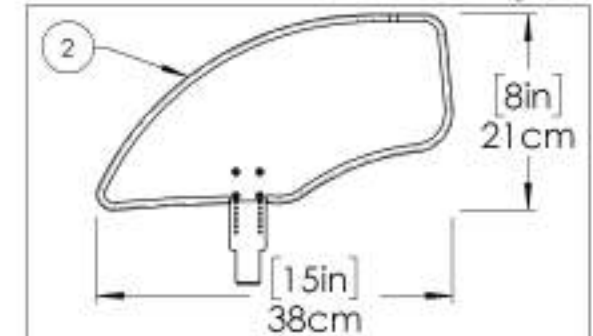
9002489

Side Guard - Carbon Fiber, Removable, Right, Small



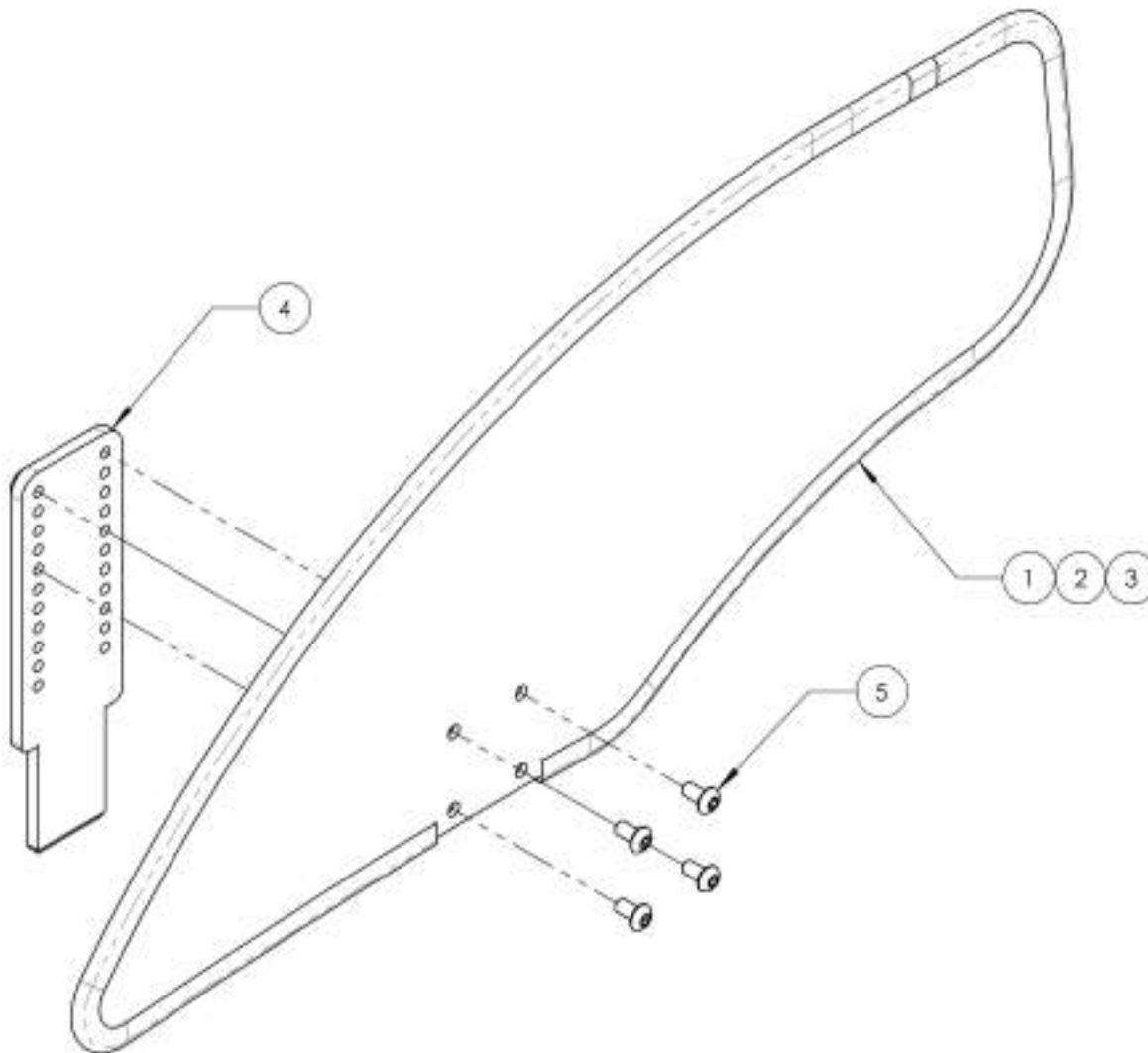
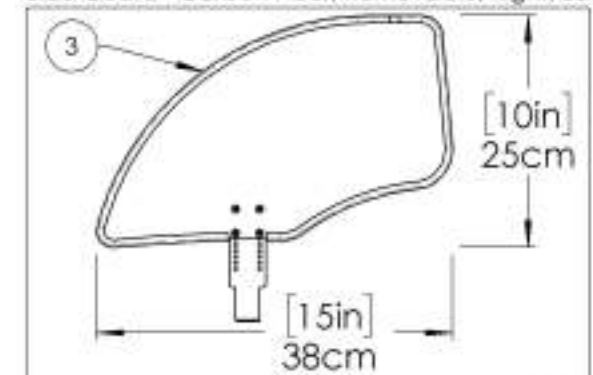
9002490

Side Guard - Carbon Fiber, Removable, Right, Medium



9002491

Side Guard - Carbon Fiber, Removable, Right, Large

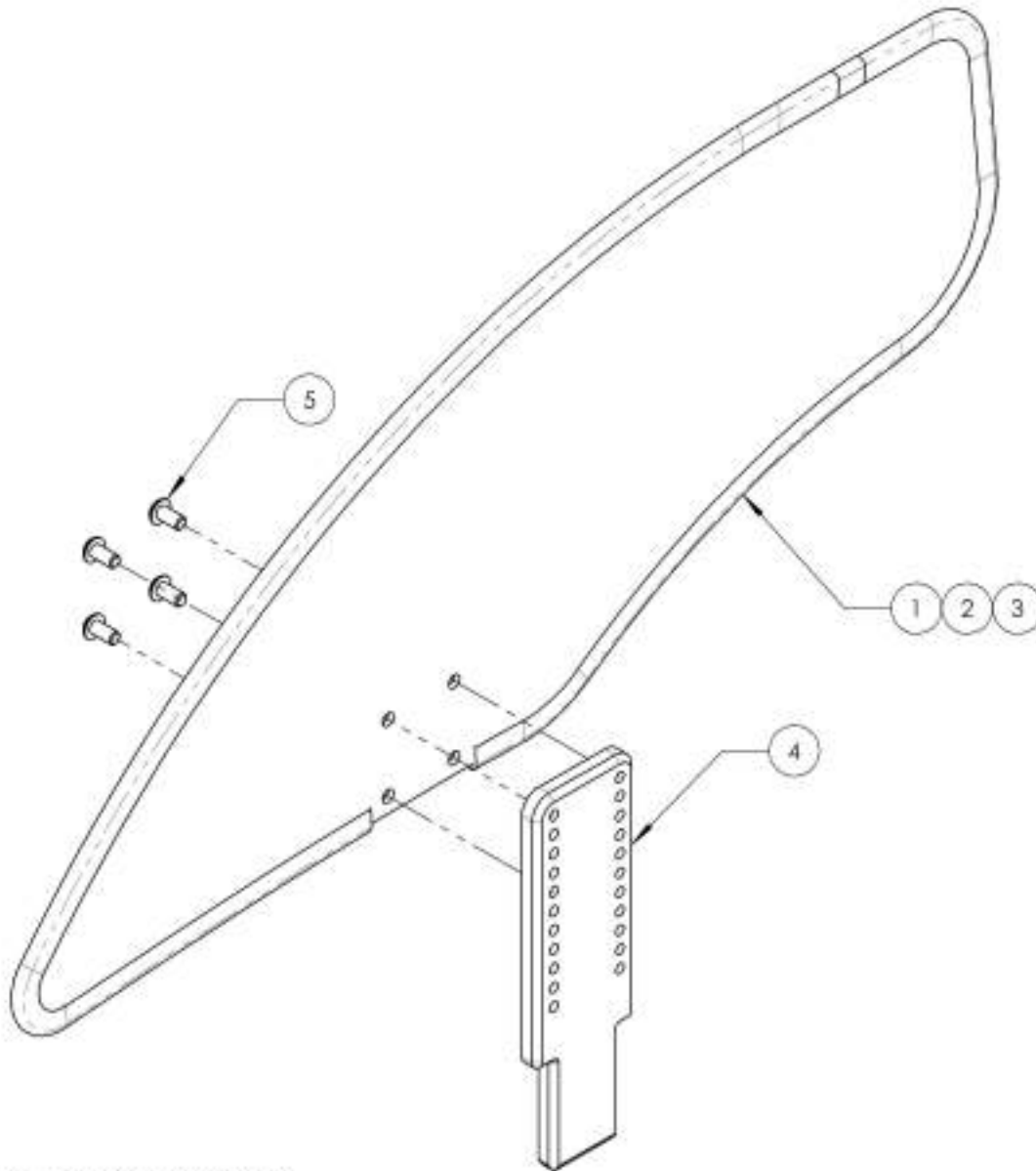


MAKE SURE TO HAVE YOUR SERIAL NUMBER NEARBY WHEN ORDERING PARTS FOR YOUR MOTION COMPOSITES WHEELCHAIR

9002492_9002494

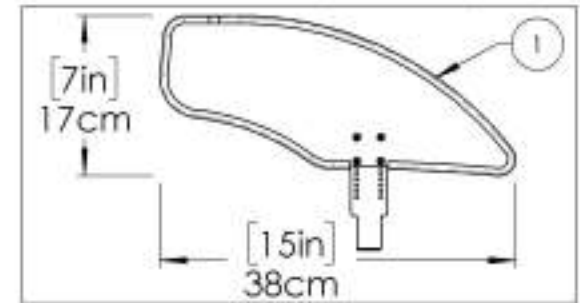
Side Guard - Carbon Fiber, Removable, Left,

ITEM NO.	PARTNO	DESCRIPTION	9002492 /QTY.	9002493 /QTY.	9002494 /QTY.
1	51213	SMALL ADJUSTABLE CARBON FIBER SIDE GUARD, H-163mm L-372mm - ASSEMBLY	1	-	-
2	51214	MEDIUM ADJUSTABLE CARBON FIBER SIDE GUARD, H-203mm L-372mm - ASSEMBLY	-	1	-
3	51215	LARGE ADJUSTABLE CARBON FIBER SIDE GUARD, H-241mm L-372mm - ASSEMBLY	-	-	1
4	51118	MIDGUARD & SIDE GUARD ADJUSTING PLATE	1	1	1
5	90631	BUTTON HEAD CAP SCREW AN4X0.7 X 8mm LONG, FULLY THREADED + BLUE THREADLOCKER - BLACK ZINC	4	4	4



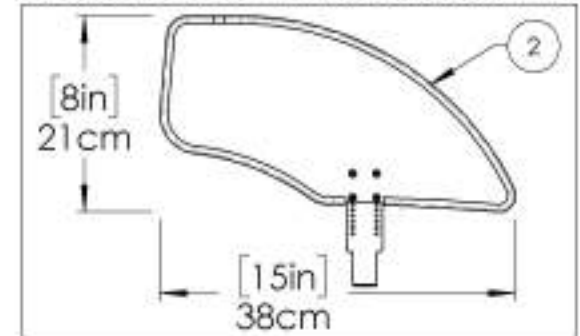
9002492

Side Guard - Carbon Fiber, Removable, Left, Small



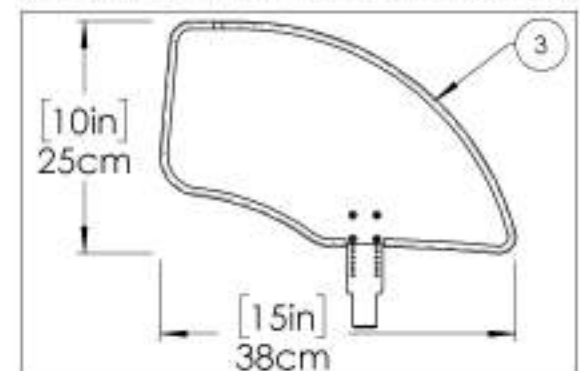
9002493

Side Guard - Carbon Fiber, Removable, Left, Medium



9002494

Side Guard - Carbon Fiber, Removable, Left, Large

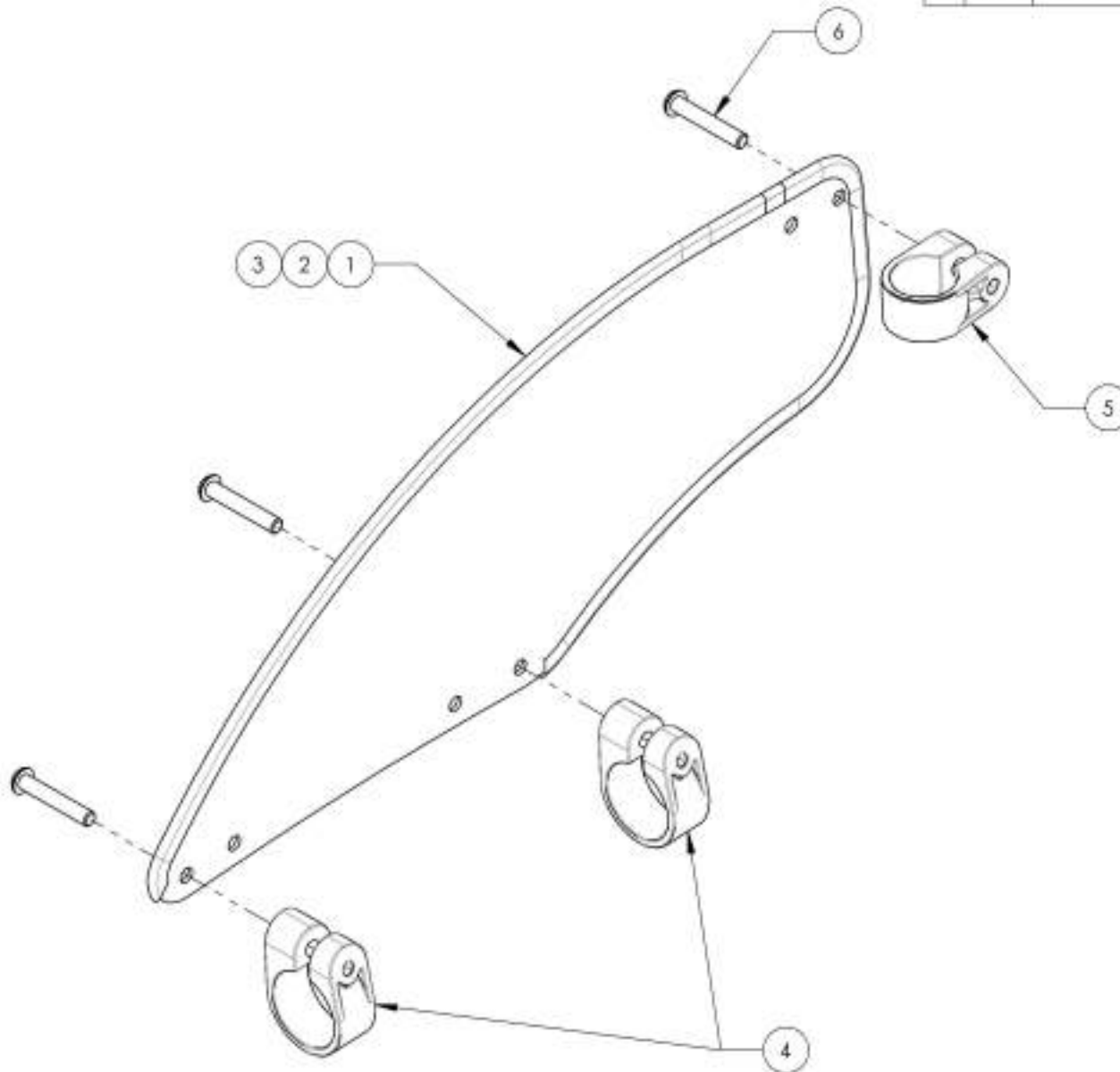


MAKE SURE TO HAVE YOUR SERIAL NUMBER NEARBY WHEN ORDERING PARTS FOR YOUR MOTION COMPOSITES WHEELCHAIR.

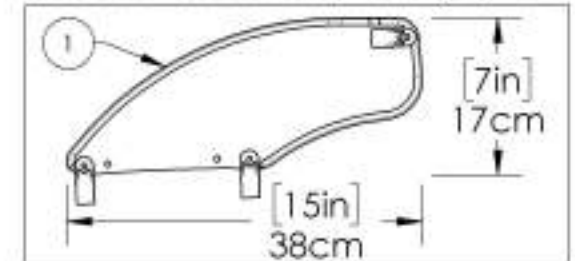
9001289_9001291

Side Guard - Carbon Fiber, Fixed, Right

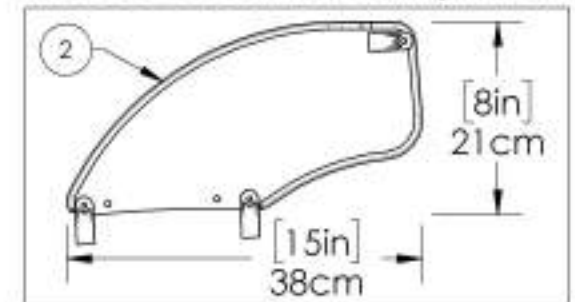
ITEM NO.	PARTNO	DESCRIPTION	9001289 /QTY.	9001290 /QTY.	9001291 /QTY.
1	51112	SMALL FIXED CARBON FIBER SIDE GUARD, H-165mm L-372mm - ASSEMBLY	1	-	-
2	51113	MEDIUM FIXED CARBON FIBER SIDE GUARD, H-203mm L-372mm - ASSEMBLY	-	1	-
3	51114	LARGE FIXED CARBON FIBER SIDE GUARD, H-241mm L-372mm - ASSEMBLY	-	-	1
4	60201	FRAME SAVER	2	2	2
5	60202	FRAME SAVER 1in	1	1	1
6	90665	BUTTON HEAD CAP SCREW Mx1 X 35mm LONG, 24mm THREADED + BLUE THREADLOCKER - BLACK ZINC	3	3	3



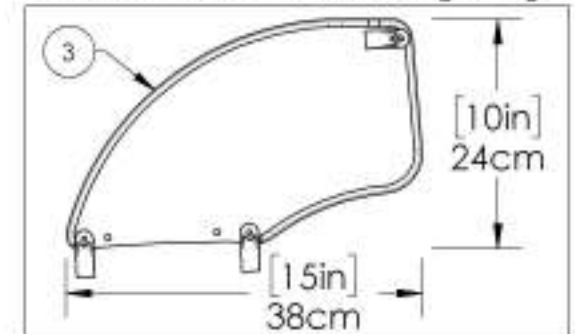
9001289
Side Guard - Carbon Fiber, Fixed, Right, Small



9001290
Side Guard - Carbon Fiber, Fixed, Right, Medium



9001291
Side Guard - Carbon Fiber, Fixed, Right, Large

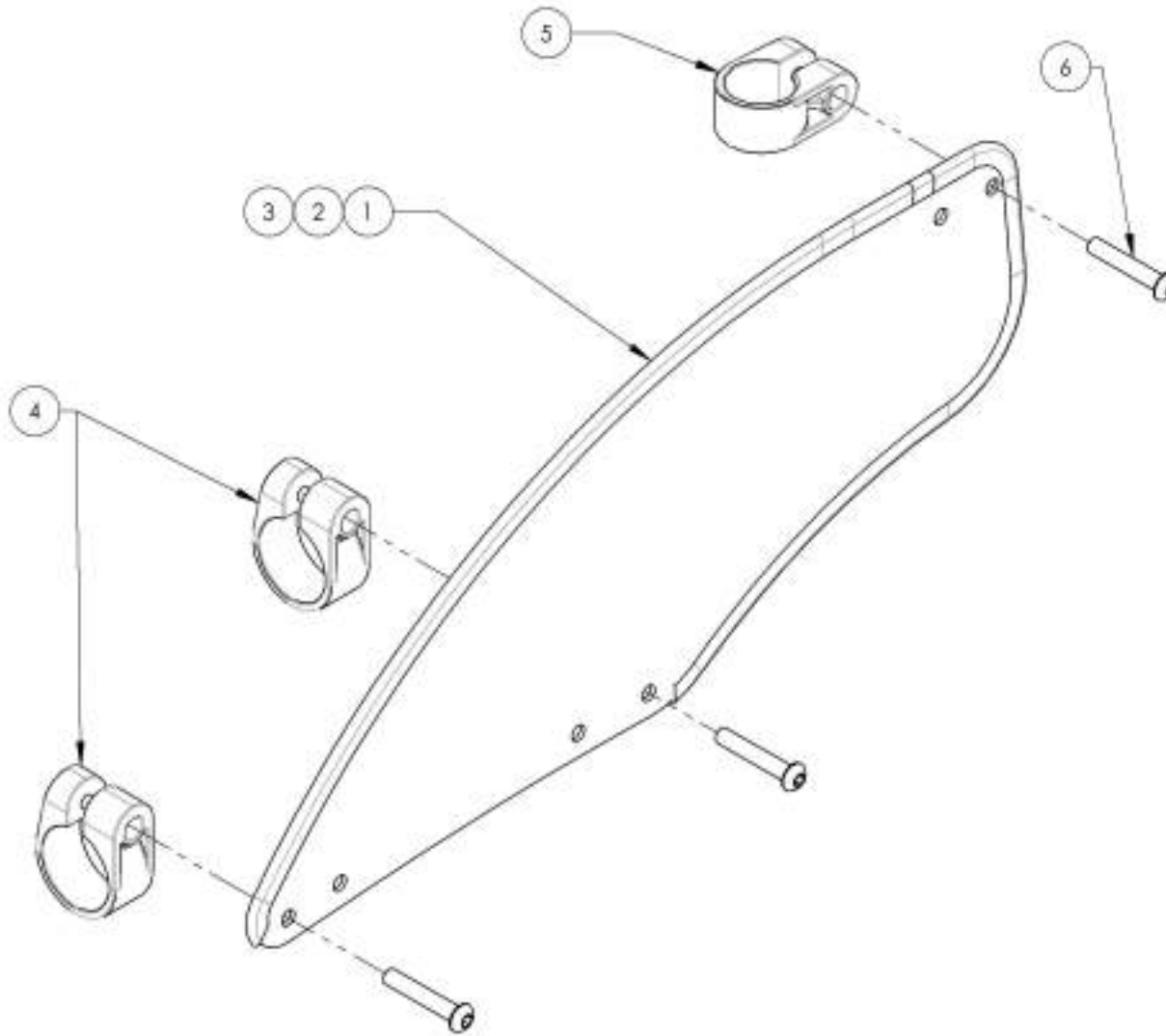


MAKE SURE TO HAVE YOUR SERIAL NUMBER
NEARBY WHEN ORDERING PARTS FOR YOUR
MOTION COMPOSITES WHEELCHAIR

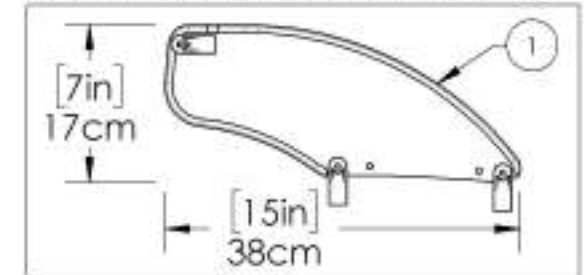
9001292_9001294

Side Guard - Carbon Fiber, Fixed, Left

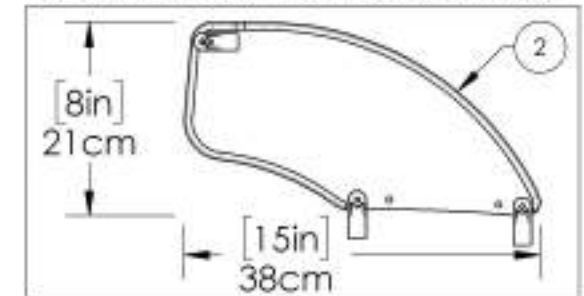
ITEM NO.	PARTNO	DESCRIPTION	9001292 /QTY.	9001293 /QTY.	9001294 /QTY.
1	51112	SMALL FIXED CARBON FIBER SIDE GUARD, H-165mm L-372mm - ASSEMBLY	1	-	-
2	51113	MEDIUM FIXED CARBON FIBER SIDE GUARD, H-203mm L-372mm - ASSEMBLY	-	1	-
3	51114	LARGE FIXED CARBON FIBER SIDE GUARD, H-241mm L-372mm - ASSEMBLY	-	-	1
4	60201	FRAME SAVER	2	2	2
5	60202	FRAME SAVER 1in	1	1	1
6	90665	BUTTON HEAD CAP SCREW M6X1 X 35mm LONG, 24mm THREADED + BLUE THREADLOCKER - BLACK 2NC	3	3	3



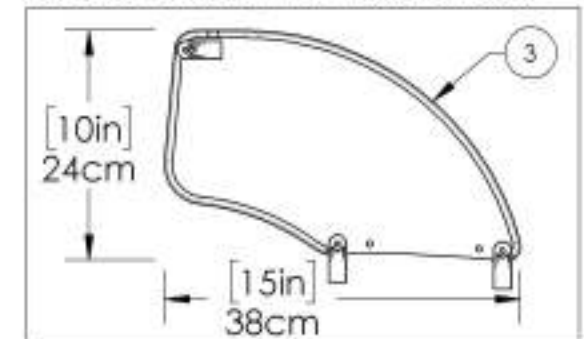
9001292
Side Guard - Carbon Fiber, Fixed, Left, Small



9001293
Side Guard - Carbon Fiber, Fixed, Left, Medium



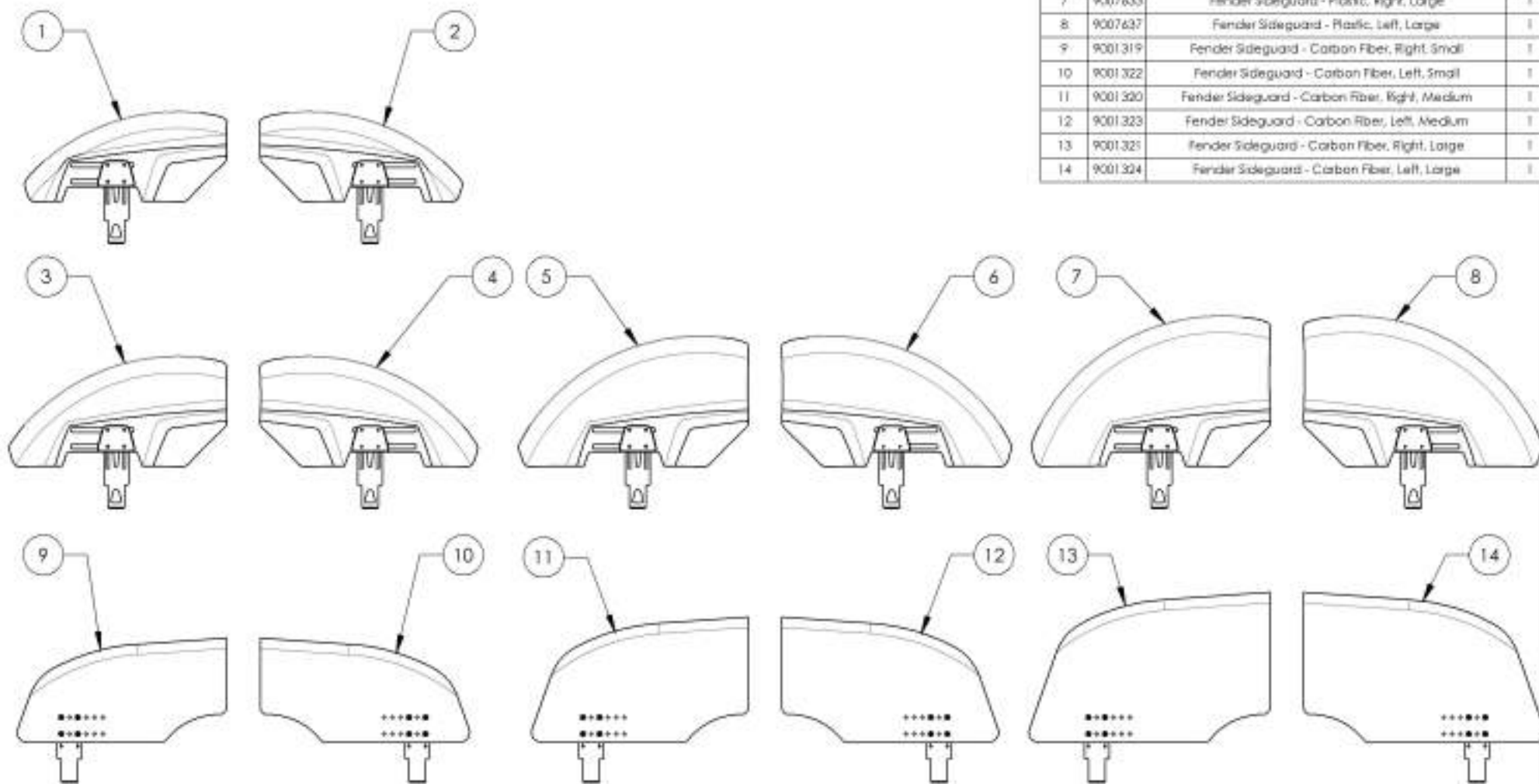
9001294
Side Guard - Carbon Fiber, Fixed, Left, Large



MAKE SURE TO HAVE YOUR SERIAL NUMBER
NEARBY WHEN ORDERING PARTS FOR YOUR
NOTION COMPOSITES WHEELCHAIR

Sideguard Catalogue
Fender Sideguards

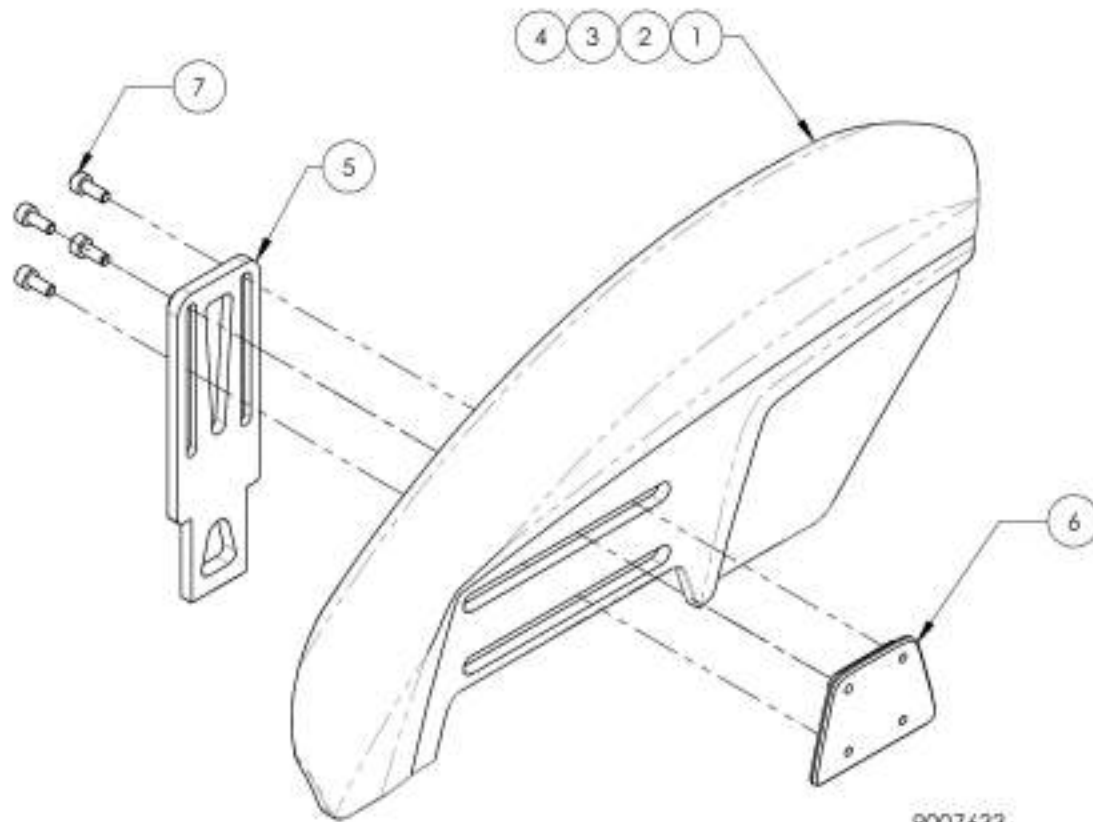
ITEM NO.	PARTNO	DESCRIPTION	QTY.
1	9007630	Fender Sideguard - Plastic, Right, X-Small	1
2	9007634	Fender Sideguard - Plastic, Left, X-Small	1
3	9007631	Fender Sideguard - Plastic, Right, Small	1
4	9007635	Fender Sideguard - Plastic, Left, Small	1
5	9007632	Fender Sideguard - Plastic, Right, Medium	1
6	9007636	Fender Sideguard - Plastic, Left, Medium	1
7	9007633	Fender Sideguard - Plastic, Right, Large	1
8	9007637	Fender Sideguard - Plastic, Left, Large	1
9	9001319	Fender Sideguard - Carbon Fiber, Right, Small	1
10	9001322	Fender Sideguard - Carbon Fiber, Left, Small	1
11	9001320	Fender Sideguard - Carbon Fiber, Right, Medium	1
12	9001323	Fender Sideguard - Carbon Fiber, Left, Medium	1
13	9001321	Fender Sideguard - Carbon Fiber, Right, Large	1
14	9001324	Fender Sideguard - Carbon Fiber, Left, Large	1



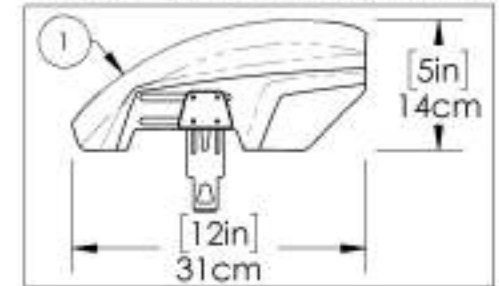
MAKE SURE TO HAVE YOUR SERIAL NUMBER
 NEARBY WHEN ORDERING PARTS FOR YOUR
 MOTION COMPOSITES WHEELCHAIR

9007630 9007633
Fender Sideguard - Plastic, Right

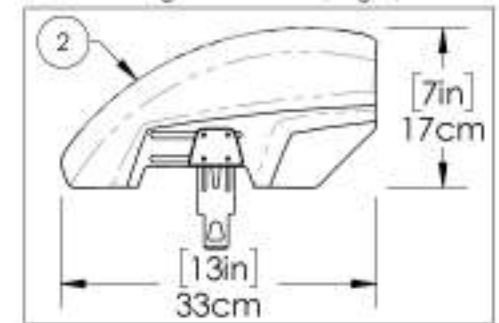
ITEM NO.	PARTNO	DESCRIPTION	9007630 /QTY.	9007631 /QTY.	9007632 /QTY.	9007633 /QTY.
1	51385	REMOVABLE FENDERED PLASTIC SIDEGUARDS X-SMALL, RIGHT	1	-	-	-
2	51386	REMOVABLE FENDERED PLASTIC SIDEGUARDS SMALL, RIGHT	-	1	-	-
3	51387	REMOVABLE FENDERED PLASTIC SIDEGUARDS MEDIUM, RIGHT	-	-	1	-
4	51388	REMOVABLE FENDERED PLASTIC SIDEGUARDS LARGE, RIGHT	-	-	-	1
5	51393	FENDERED SIDEGUARDS ADJUSTING PLATE	1	1	1	1
6	51395	FENDERED SIDEGUARDS INNER PLATE	1	1	1	1
7	90724	SOCKET CAP SCREW M4X0.7 X 10mm LONG, FULLY THREADED + BLUE TREADLOCKER - BLACK ZINC	4	4	4	4



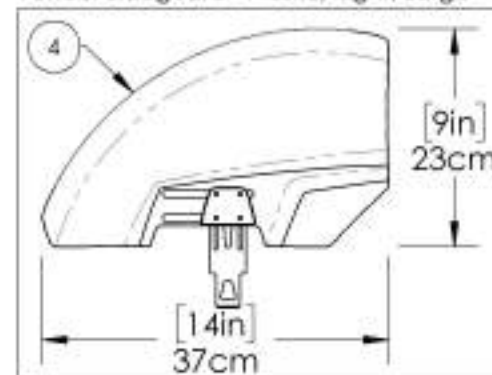
9007630
Fender Sideguard - Plastic, Right, X-Small



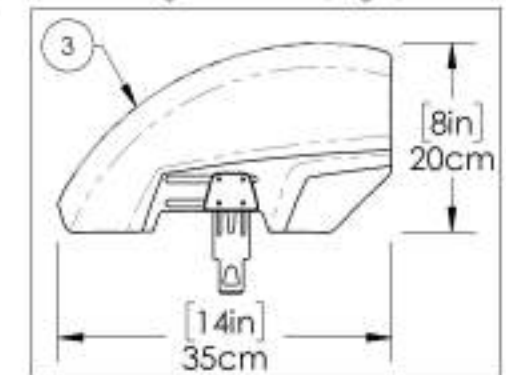
9007631
Fender Sideguard - Plastic, Right, Small



9007633
Fender Sideguard - Plastic, Right, Large



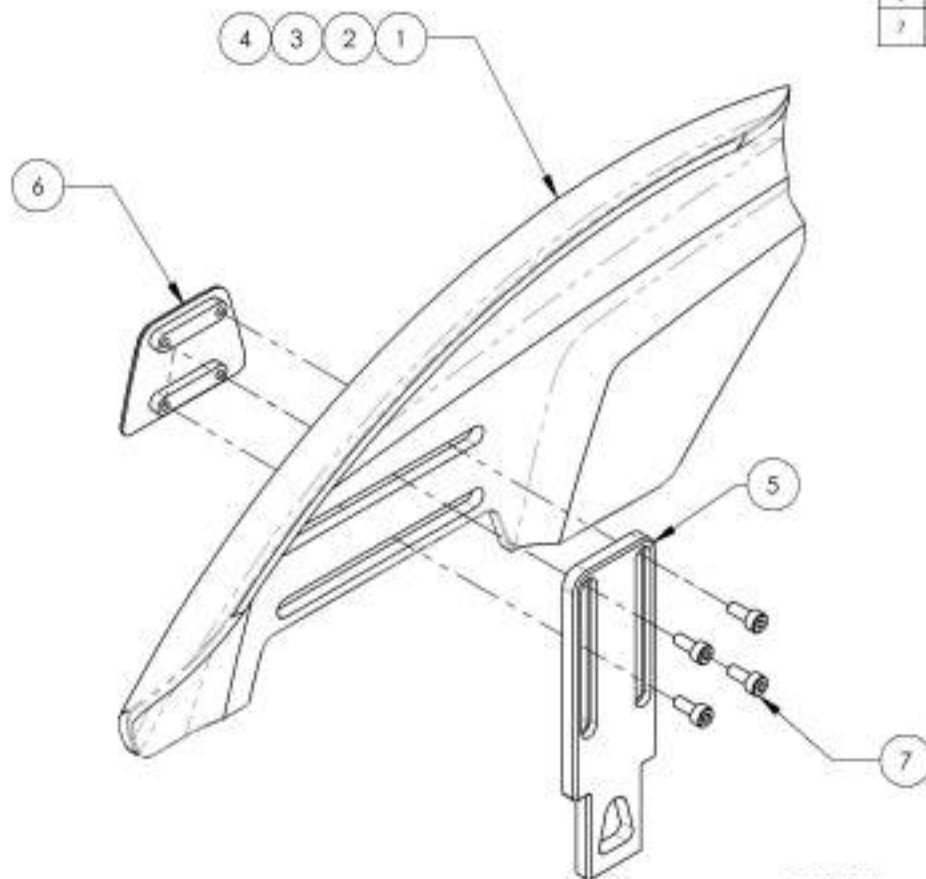
9007632
Fender Sideguard - Plastic, Right, Medium



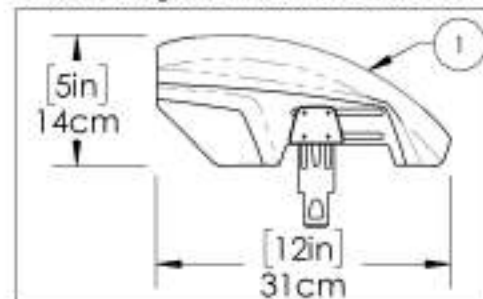
MAKE SURE TO HAVE YOUR SERIAL NUMBER
 NEARBY WHEN ORDERING PARTS FOR YOUR
 MOTION COMPOSITES WHEELCHAIR.

9007634 9007637
Fender Sideguard - Plastic, Left

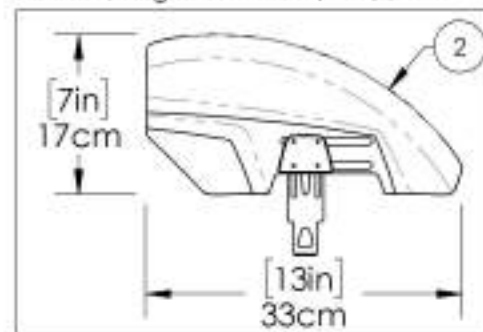
ITEM NO.	PART NO.	DESCRIPTION	9007634 /QTY.	9007635 /QTY.	9007636 /QTY.	9007637 /QTY.
1	51389	REMOVABLE FENDERED PLASTIC SIDEGUARDS X-SMALL, LEFT	1	-	-	-
2	51390	REMOVABLE FENDERED PLASTIC SIDEGUARDS SMALL, LEFT	-	1	-	-
3	51391	REMOVABLE FENDERED PLASTIC SIDEGUARDS MEDIUM, LEFT	-	-	1	-
4	51392	REMOVABLE FENDERED PLASTIC SIDEGUARDS LARGE, LEFT	-	-	-	1
5	51393	FENDERED SIDEGUARDS ADJUSTING PLATE	1	1	1	1
6	51395	FENDERED SIDEGUARDS INNER PLATE	1	1	1	1
7	90724	SOCKET CAP SCREW M4X0.7 X 10mm LONG, FULLY THREADED + BLUE TREADLOCKER - BLACK ZINC	4	4	4	4



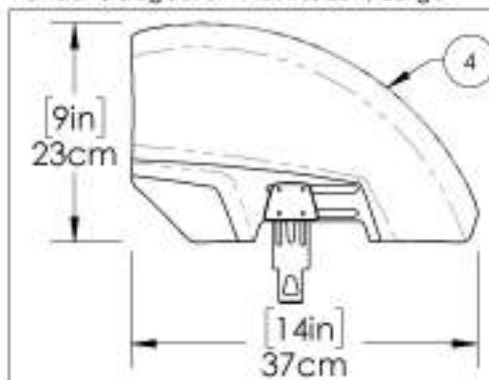
9007634
Fender Sideguard - Plastic, Left, X-Small



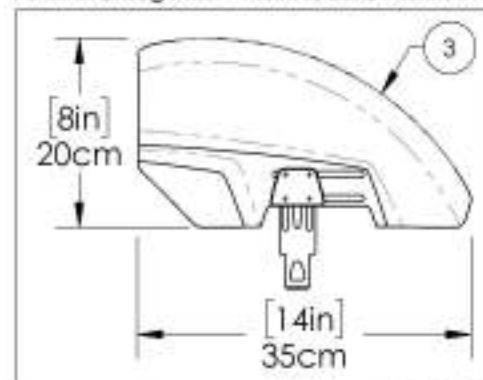
9007635
Fender Sideguard - Plastic, Left, Small



9007637
Fender Sideguard - Plastic, Left, Large



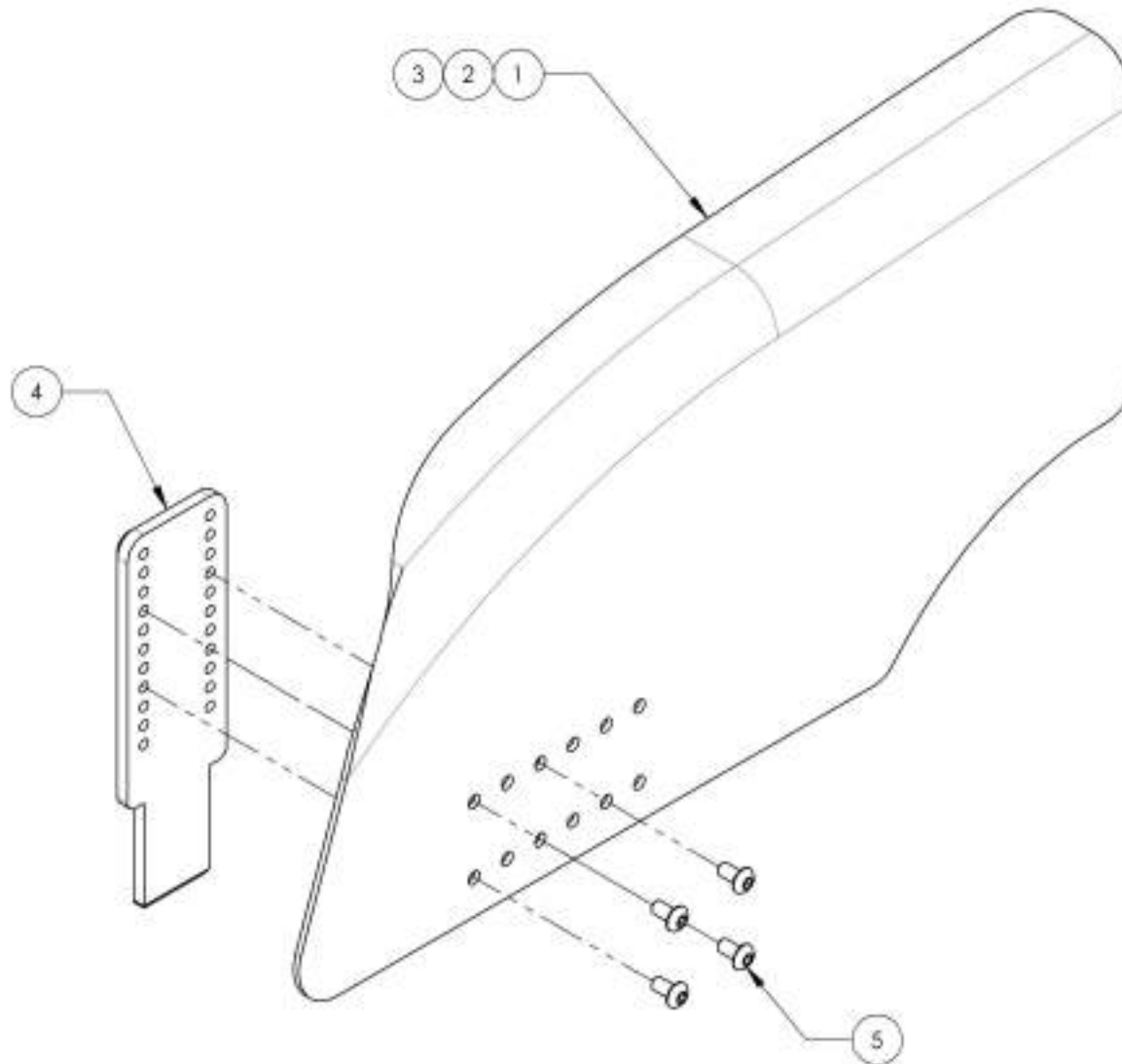
9007636
Fender Sideguard - Plastic, Left, Medium



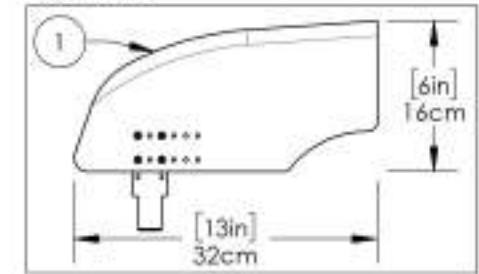
MAKE SURE TO HAVE YOUR SERIAL NUMBER NEARBY WHEN ORDERING PARTS FOR YOUR MOTION COMPOSITES WHEELCHAIR.

9001319 9001321
Fender Sideguard - Carbon Fiber, Right

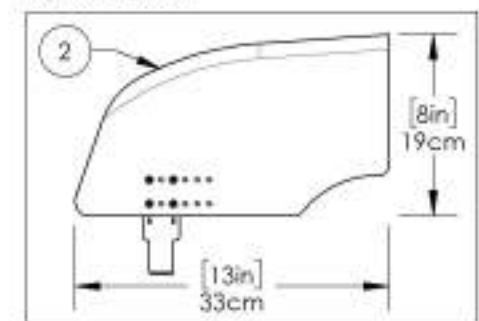
PEN NO.	PART NO.	DESCRIPTION	9001319 /QTY.	9001320 /QTY.	9001321 /QTY.
1	51106	CARBON FENDER SIDEGUARD SMALL, RIGHT (H-160mm L-321mm)	1	-	-
2	51108	CARBON FENDER SIDEGUARD MEDIUM, RIGHT (H-192mm L-332mm)	-	1	-
3	51110	CARBON FENDER SIDEGUARD LARGE, RIGHT (H-200mm L-370mm)	-	-	1
4	51118	MUDGUARD & SIDEGUARD ADJUSTING PLATE	1	1	1
5	90631	BUTTON HEAD CAP SCREW M4X0.7 X 8mm LONG, FULLY THREADED + BLUE THREADLOCKER - BLACK DYC	4	4	4



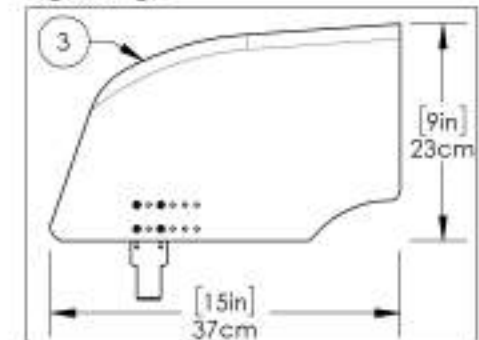
9001319
Fender Sideguard - Carbon Fiber, Right, Small



9001320
Fender Sideguard - Carbon Fiber, Right, Medium



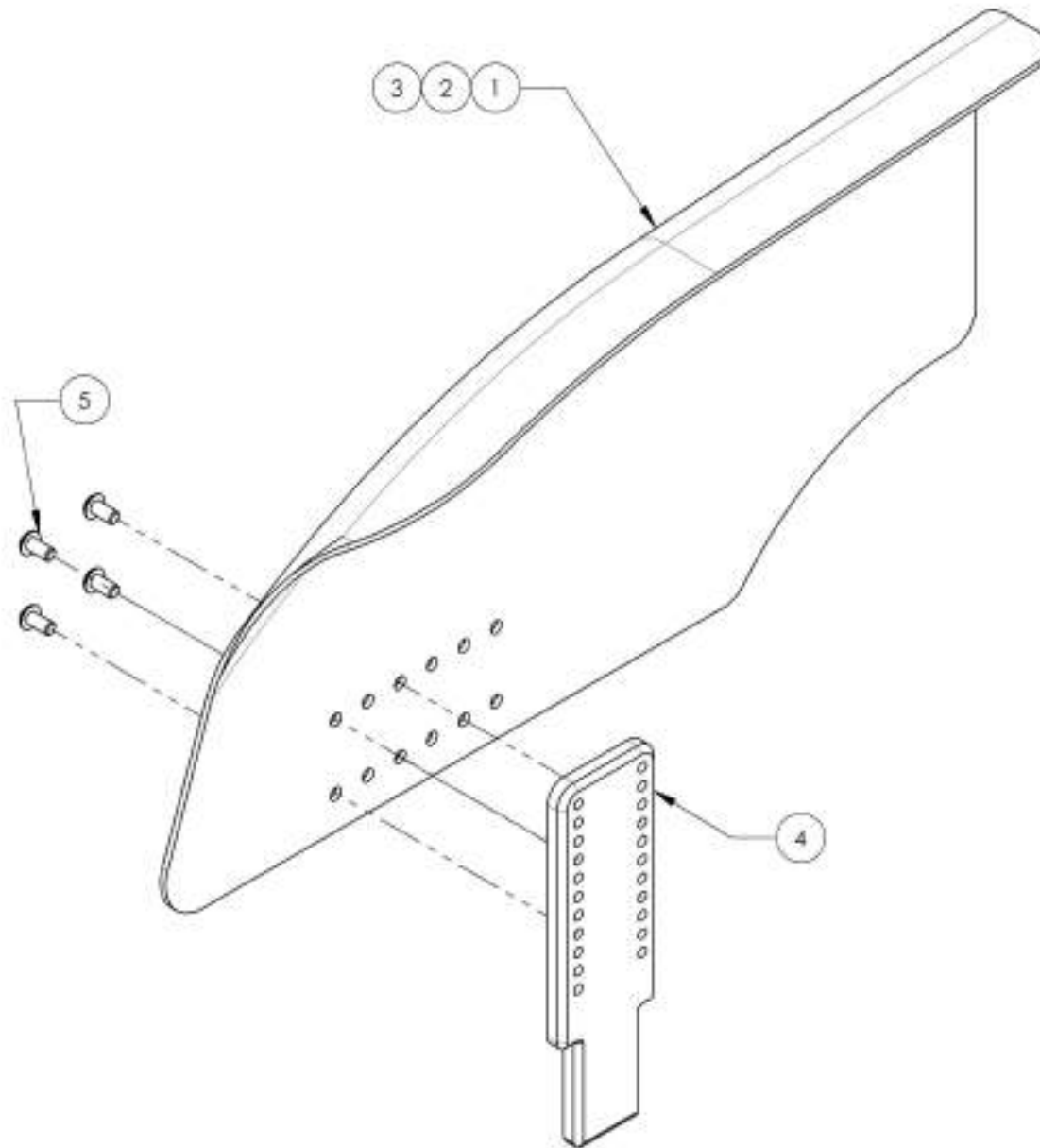
9001321
Fender Sideguard - Carbon Fiber, Right, Large



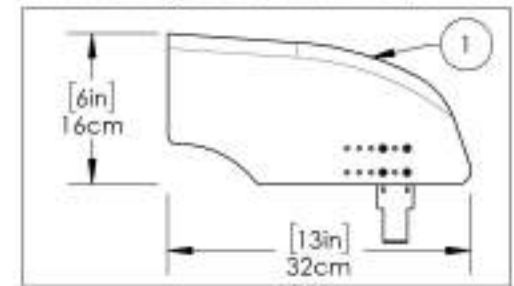
MAKE SURE TO HAVE YOUR SERIAL NUMBER NEARBY WHEN ORDERING PARTS FOR YOUR MOTION COMPOSITES WHEELCHAIR

9001322 9001324
Fender Sideguard - Carbon Fiber, Left

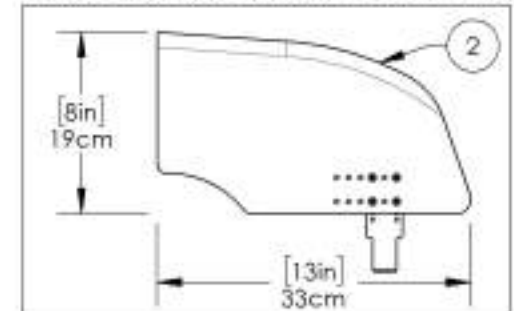
ITEM NO.	PART NO.	DESCRIPTION	9001322 /QTY.	9001323 /QTY.	9001324 /QTY.
1	51107	CARBON FENDER SIDEGUARD SMALL, LEFT (H-160mm L-321mm)	1	-	-
2	51109	CARBON FENDER SIDEGUARD MEDIUM, LEFT (H-192mm L-332mm)	-	1	-
3	51111	CARBON FENDER SIDEGUARD LARGE, LEFT (H-230mm L-370mm)	-	-	1
4	51118	MIDGUARD & SIDEGUARD ADJUSTING PLATE	1	1	1
5	90631	BUTTON HEAD CAP SCREW M4X0.7 X 8mm LONG, FULLY THREADED + BLUE THREADLOCKER - BLACK DYC	4	4	4



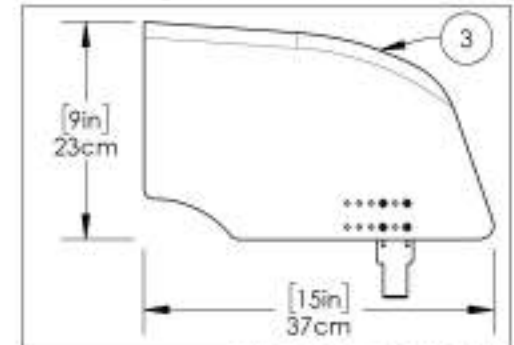
9001322
Fender Sideguard - Carbon Fiber, Left, Small



9001323
Fender Sideguard - Carbon Fiber, Left, Medium



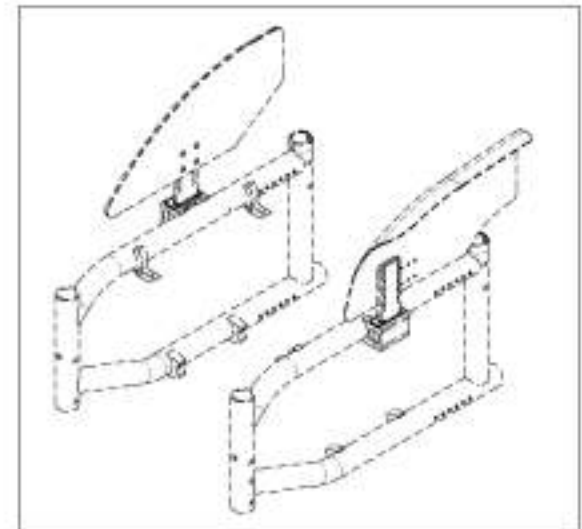
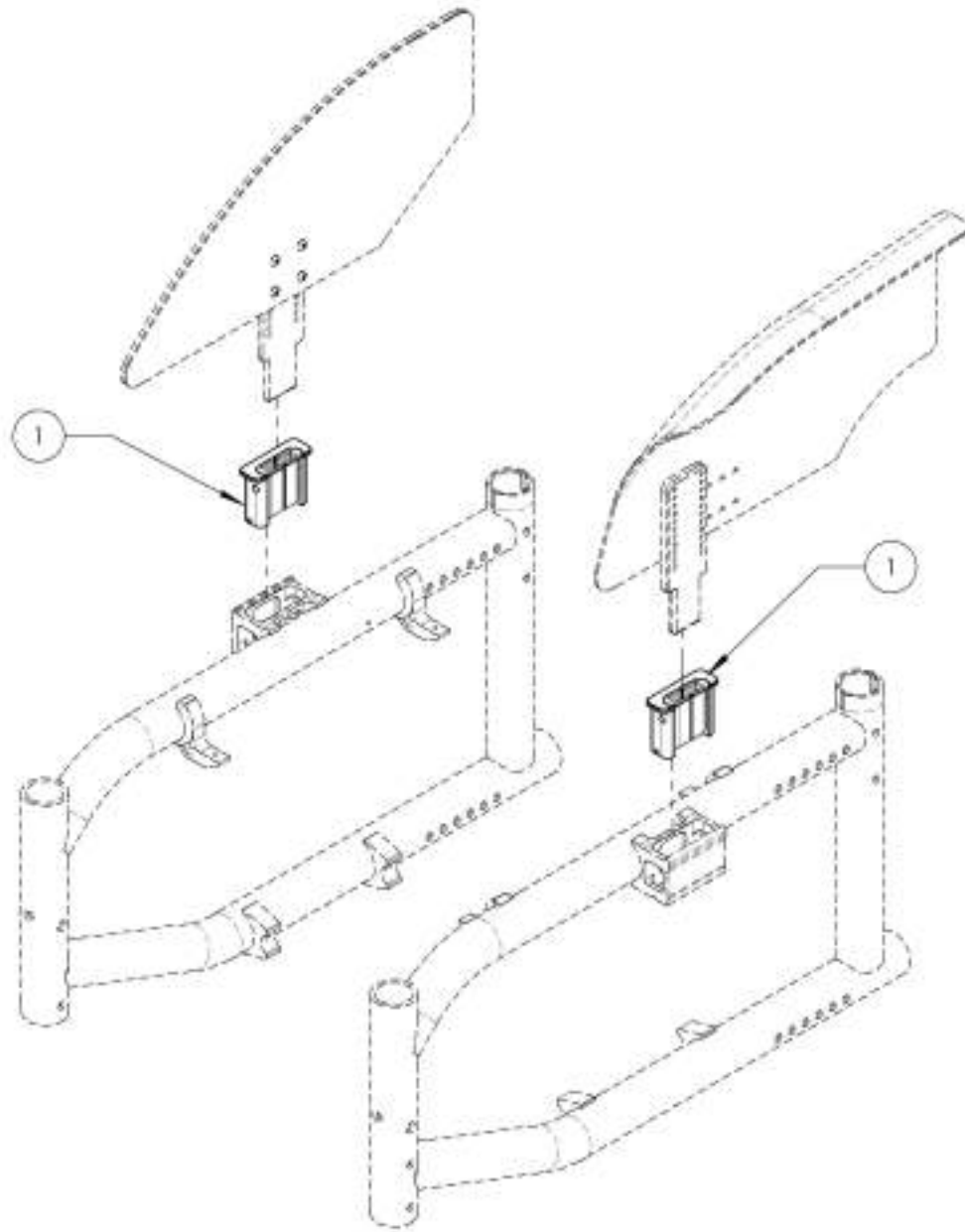
9001324
Fender Sideguard - Carbon Fiber, Left, Large



MAKE SURE TO HAVE YOUR SERIAL NUMBER NEARBY WHEN ORDERING PARTS FOR YOUR MOTION COMPOSITES WHEELCHAIR

Sideguard Catalogue
Plastic Insert for V2 Receiver

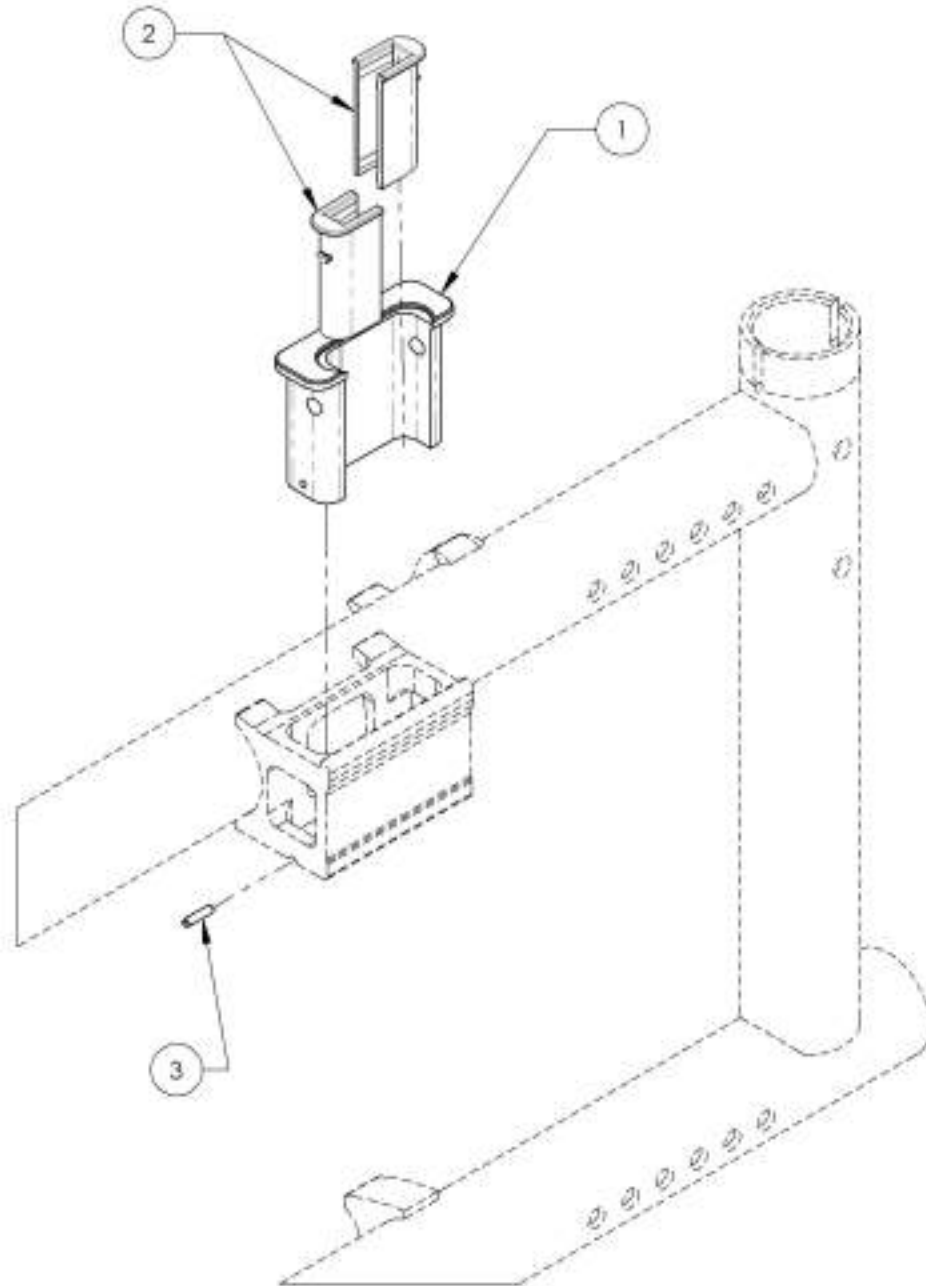
ITEM NO.	PARTNO	DESCRIPTION	QTY
1	9001307	Mud Guard & Plastic Side Guard - Plastic Insert for V2 Receiver	2



MAKE SURE TO HAVE YOUR SERIAL NUMBER
NEARBY WHEN ORDERING PARTS FOR YOUR
MOTION COMPOSITES WHEELCHAIR

9001307
Mud Guard & Plastic Side Guard - Plastic Insert for V2 Receiver

ITEM NO.	PARTNO	DESCRIPTION	9001307 /QTY.
1	51037	SIDE GUARD PLASTIC INSERT FOR V2 RECEIVER	1
2	33114	V2 ARMREST SLIM CLAMP SLEEVE	2
3	90914	18-8 SS Staffed Spring Pin Ø2mm, 10mm L	1



MAKE SURE TO HAVE YOUR SERIAL NUMBER
 NEARBY WHEN ORDERING PARTS FOR YOUR
 MOTION COMPOSITES WHEELCHAIR

Sideguard Catalogue
Sideguards - Cloth

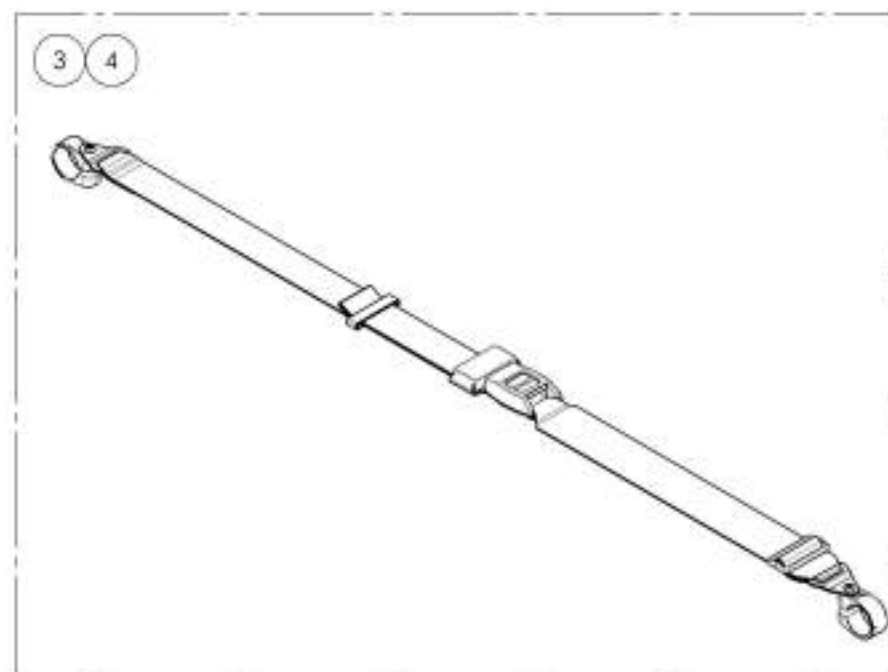
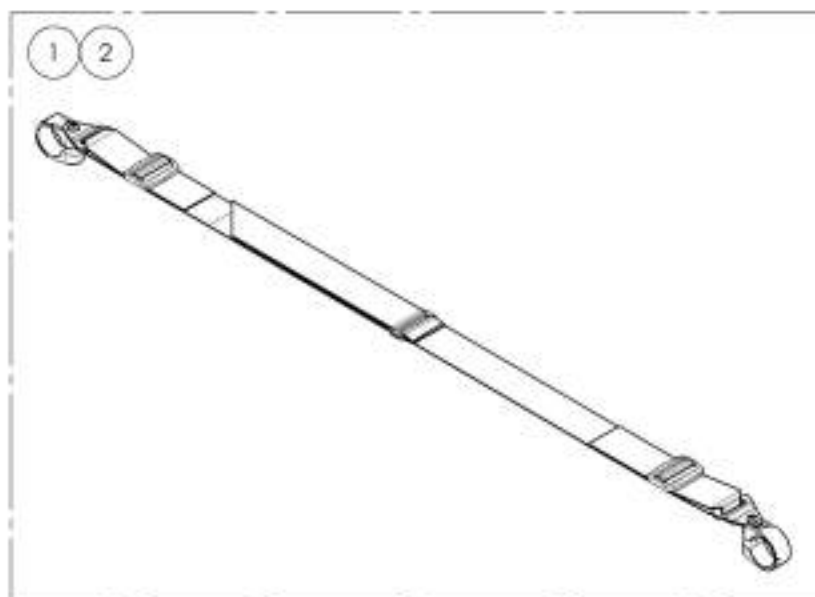
ITEM NO.	PARTNO	DESCRIPTION	QTY
1	9002523	Side Guard - Clothes	1



MAKE SURE TO HAVE YOUR SERIAL NUMBER
NEARBY WHEN ORDERING PARTS FOR YOUR
MOTION COMPOSITES WHEELCHAIR

Seatbelt Catalogue
Positioning Seatbelts

ITEM NO.	PARTNO	DESCRIPTION	QTY.
1	9001587	Positioning Seatbelt - Velcro Adjustable 35 in	1
2	9002135	Positioning Seatbelt - Velcro Adjustable 60 in	1
3	9001588	Positioning Seatbelt - Auto Buckle 35 in	1
4	9002139	Positioning Seatbelt - Auto Buckle 60 in	1



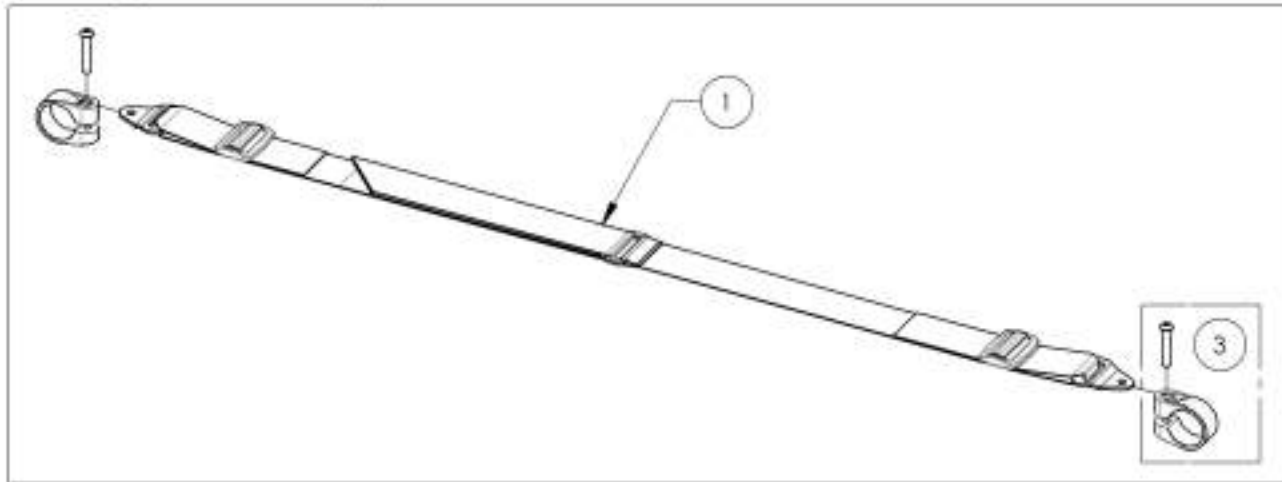
BOTH ITEMS ALREADY INCLUDE THE APPROPRIATE
 NUMBER OF COMPOSITE CLAMPS

MAKE SURE TO HAVE YOUR SERIAL NUMBER
 NEARBY WHEN ORDERING PARTS FOR YOUR
 MOTION COMPOSITES WHEELCHAIR

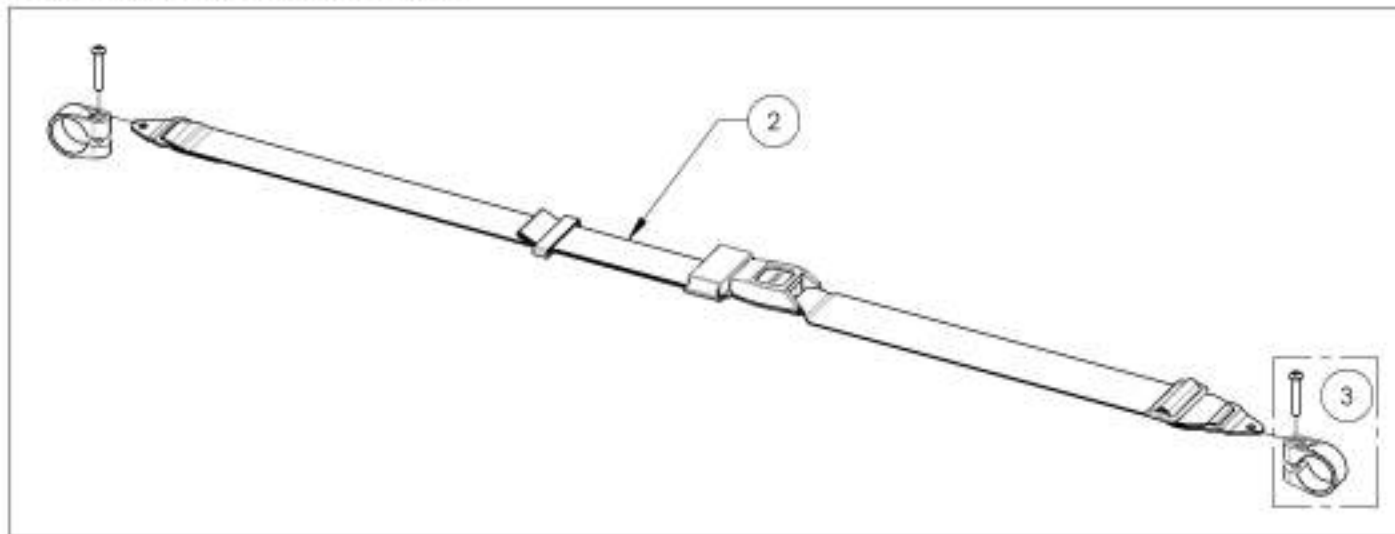
9001587_9001588
Positioning Seatbelts 35 in

ITEM NO.	PARTNO	DESCRIPTION	9001587 /QTY.	9001588 /QTY.
1	51589	VELCRO SEATBELT 35in - ASSEMBLY	1	-
2	51027	POSITIONING SEAT BELT ASSEMBLY	-	1
3	60600	FRAME SAVER ASSEMBLY (PAIR)	1	1

9001587
 Positioning Seatbelt - Velcro Adjustable 35 in



9001588
 Positioning Seatbelt - Auto Buckle 35 in



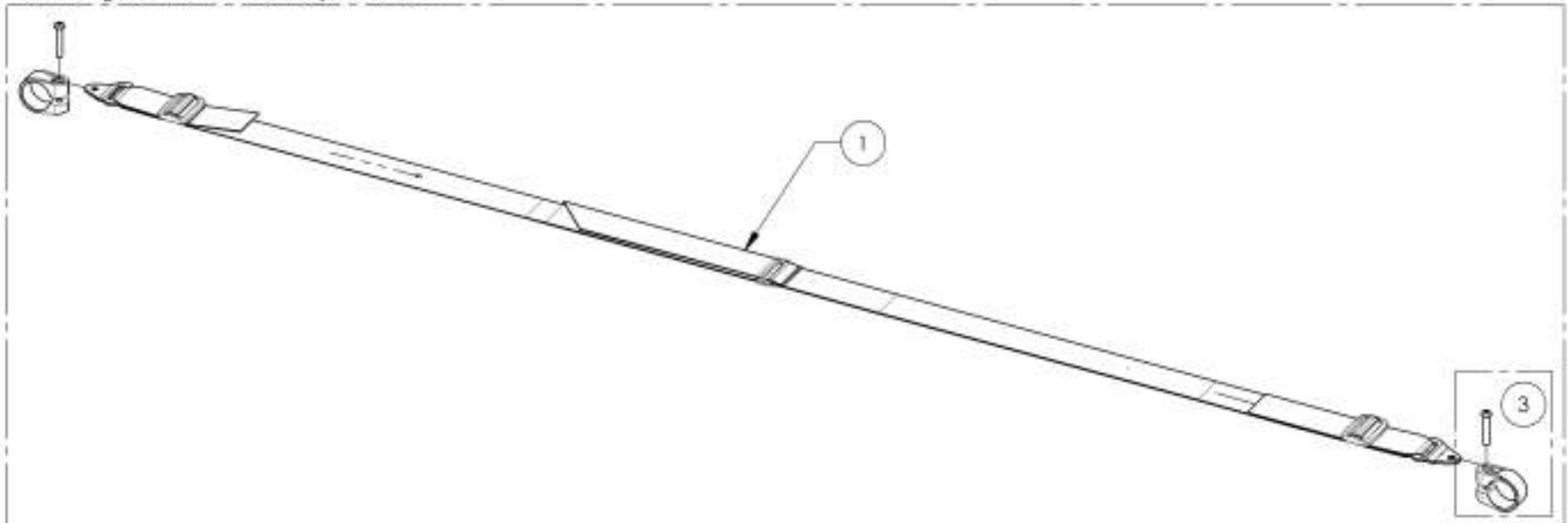
MAKE SURE TO HAVE YOUR SERIAL NUMBER
 NEARBY WHEN ORDERING PARTS FOR YOUR
 MOTION COMPOSITES WHEELCHAIR

9002138 9002139
Positioning Seatbelts 60 in

ITEM NO.	PARTNO	DESCRIPTION	9002138 /QTY.	9002139 /QTY.
1	51584	VELCRO-SEATBELT 60in - ASSEMBLY	1	-
2	51583	POSITIONING SEAT BELT 60in - ASSEMBLY	-	1
3	60500	FRAME SAVER ASSEMBLY (PAIR)	1	1

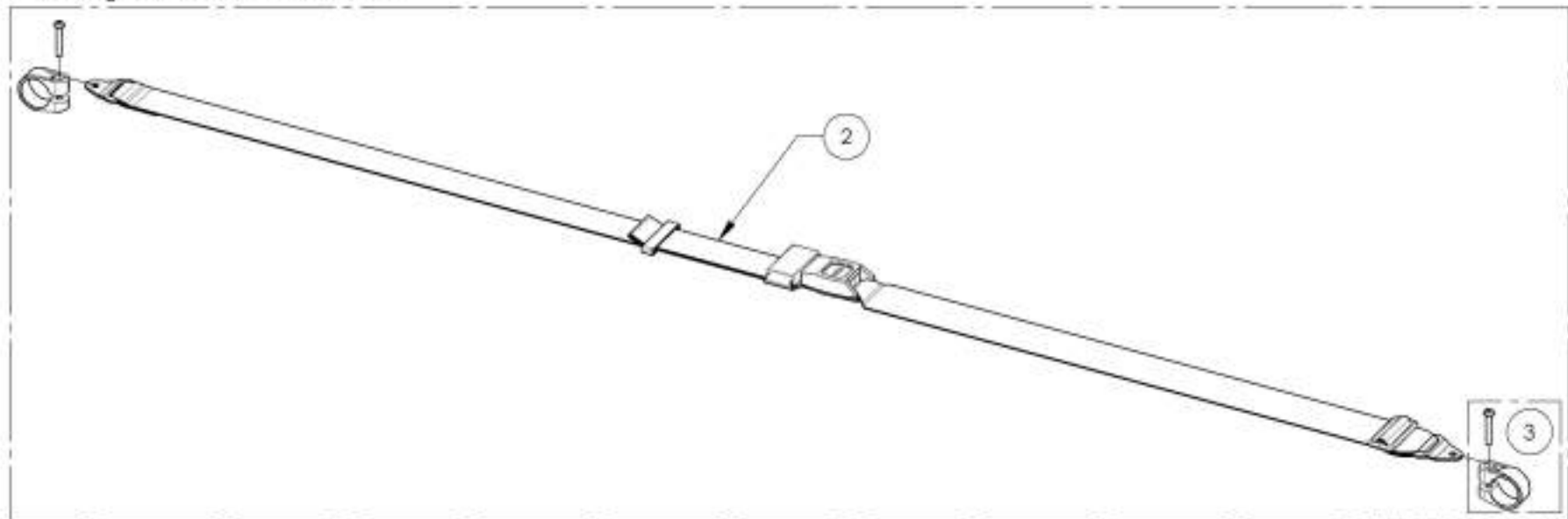
9002138

Positioning Seatbelt - Velcro Adjustable 60 in



9002139

Positioning Seatbelt - Auto Buckle 60 in



MAKE SURE TO HAVE YOUR SERIAL NUMBER
 NEARBY WHEN ORDERING PARTS FOR YOUR
 MOTION COMPOSITES WHEELCHAIR

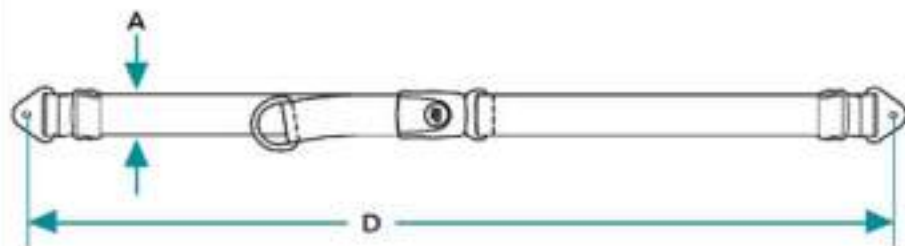
Seatbelts Catalogue
Positioning Seatbelts - Bodypoint

ITEMS 1-8 ALREADY INCLUDE THE APPROPRIATE
 NUMBER OF COMPOSITE CLAMPS

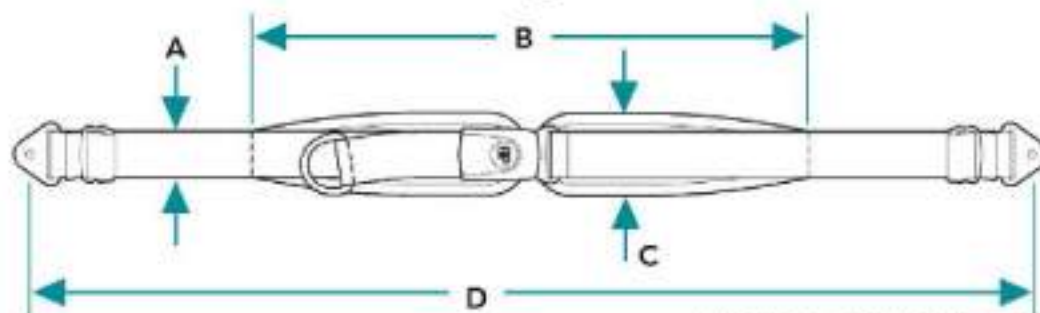


Item#	Part#	Description	A	B	C	D
1	9002221	Positioning Seatbelt - Bodypoint 2 Point, Non-Padded, Medium	4cm (1 ½")	-	-	142cm (56")
2	9002222	Positioning Seatbelt - Bodypoint 2 Point, Non-Padded, Large	5cm (2")	-	-	155cm (61")
3	9002223	Positioning Seatbelt - Bodypoint 2 Point, Padded, Small	4cm (1 ½")	36cm (14")	5.5cm (2 ¼")	130cm (51")
4	9002224	Positioning Seatbelt - Bodypoint 2 Point, Padded, Medium	4cm (1 ½")	46cm (18")	5.5cm (2 ¼")	142cm (56")
5	9002225	Positioning Seatbelt - Bodypoint 2 Point, Padded, Large	5cm (2")	62cm (24 ½")	7cm (2 ¾")	155cm (61")
6	9002226	Positioning Seatbelt - Bodypoint 4 Point, Padded, Small	4cm (1 ½")	36cm (14")	5.5cm (2 ¼")	130cm (51")
7	9002227	Positioning Seatbelt - Bodypoint 4 Point, Padded, Medium	4cm (1 ½")	46cm (18")	5.5cm (2 ¼")	142cm (56")
8	9002228	Positioning Seatbelt - Bodypoint 4 Point, Padded, Large	5cm (2")	62cm (24 ½")	7cm (2 ¾")	155cm (61")

Non-Padded Hip Belts



Padded Hip Belts



MAKE SURE TO HAVE YOUR SERIAL NUMBER
 NEARBY WHEN ORDERING PARTS FOR YOUR
 MOTION COMPOSITES WHEELCHAIR

9002221_9002228
Positioning Seatbelts - Bodypoint

ITEM NO.	PARTNO	DESCRIPTION	9002221 /QTY.	9002222 /QTY.	9002223 /QTY.	9002224 /QTY.	9002225 /QTY.	9002226 /QTY.	9002227 /QTY.	9002228 /QTY.	REPLACEMENT PART/QTY.
1	51131	POSITIONING SEATBELT - BODYPOINT 2 POINT, NON PADDED MEDIUM	1	-	-	-	-	-	-	-	-
2	51211	POSITIONING SEATBELT - BODYPOINT 2 POINT, NON PADDED LARGE	-	1	-	-	-	-	-	-	-
3	51132	POSITIONING SEATBELT - BODYPOINT 2 POINT, PADDED SMALL	-	-	1	-	-	-	-	-	-
4	51133	POSITIONING SEATBELT - BODYPOINT 2 POINT, PADDED MEDIUM	-	-	-	1	-	-	-	-	-
5	51134	POSITIONING SEATBELT - BODYPOINT 2 POINT, PADDED LARGE	-	-	-	-	1	-	-	-	-
6	51212	POSITIONING SEATBELT - BODYPOINT 4 POINT, PADDED SMALL	-	-	-	-	-	1	-	-	-
7	51135	POSITIONING SEATBELT - BODYPOINT 4 POINT, PADDED MEDIUM	-	-	-	-	-	-	1	-	-
8	51136	POSITIONING SEATBELT - BODYPOINT 4 POINT, PADDED LARGE	-	-	-	-	-	-	-	1	-
9	60500	FRAME SAVER ASSEMBLY (PAIR)	1	1	1	1	1	2	2	2	1

9002221 To 9002222

Positioning Seatbelt - Bodypoint 2 Point,
 Non Padded, Medium, Large



9002223 To 9002225

Positioning Seatbelt - Bodypoint 2 Point,
 Padded, Small, Medium, Large

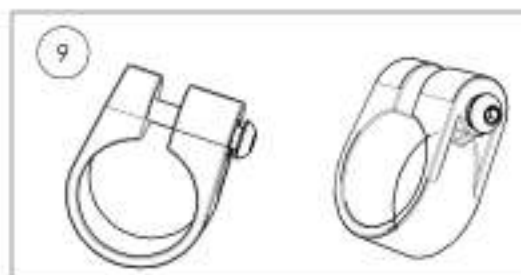


9002226 To 9002228

Positioning Seatbelt - Bodypoint 4 Point,
 Padded, Small, Medium, Large



+



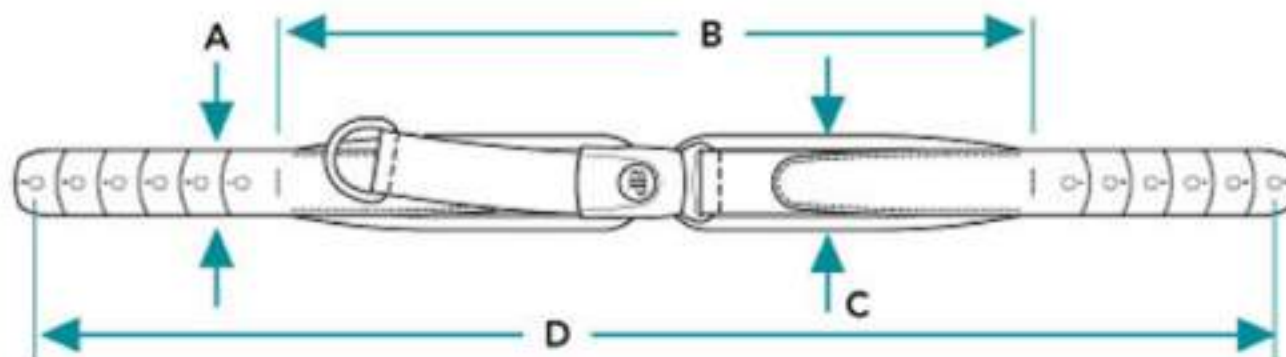
MAKE SURE TO HAVE YOUR SERIAL NUMBER
 NEARBY WHEN ORDERING PARTS FOR YOUR
 MOTION COMPOSITES WHEELCHAIR



ALL ITEMS ALREADY INCLUDE A PAIR OF CLAMPS



Item#	Part#	Description	A	B	C	D
1	9007790	Hip Belt - Bodypoint Evoflex, Rehab Latch, Medium 46cm (18in)	2.5cm (1")	38cm (15")	5cm (2")	63cm (24 3/4")
2	9007791	Hip Belt - Bodypoint Evoflex, Rehab Latch, Large 62cm (24in)	4cm (1 1/2")	46cm (18")	5.5cm (2 1/4")	76cm (29 3/4")
3	9007792	Hip Belt - Bodypoint Evoflex, Swivel, Small 38cm (15in)	4cm (1 1/2")	46cm (18")	5.5cm (2 1/4")	76cm (29 3/4")
4	9007793	Hip Belt - Bodypoint Evoflex, Swivel, Medium 46cm (18in)	5cm (2")	62cm (24 1/2")	7cm (2 3/4")	96cm (37 3/4")



MAKE SURE TO HAVE YOUR SERIAL NUMBER NEARBY WHEN ORDERING PARTS FOR YOUR MOTION COMPOSITES WHEELCHAIR

9007790_9007793
Hip Belt - Bodypoint Evoflex



ITEM NO.	PART NO	DESCRIPTION	9007790 /QTY.	9007791 /QTY.	9007792 /QTY.	9007793 /QTY.
1	51417	BODYPOINT HIP BELT EVOFLEX REHAB LATCH M46	1	-	-	-
2	51418	BODYPOINT HIP BELT EVOFLEX REHAB LATCH L62	-	1	-	-
3	51415	BODYPOINT HIP BELT EVOFLEX SWIVEL S38	-	-	1	-
4	51416	BODYPOINT HIP BELT EVOFLEX SWIVEL M46	-	-	-	1
5	51419	BODYPOINT BAND CLAMP 30mm (PAIR)	1	1	1	1

9007790 & 9007791
 Hip Belt - Bodypoint Evoflex, Rehab Latch
 Medium 46cm (18in) & Large 62cm (24in)

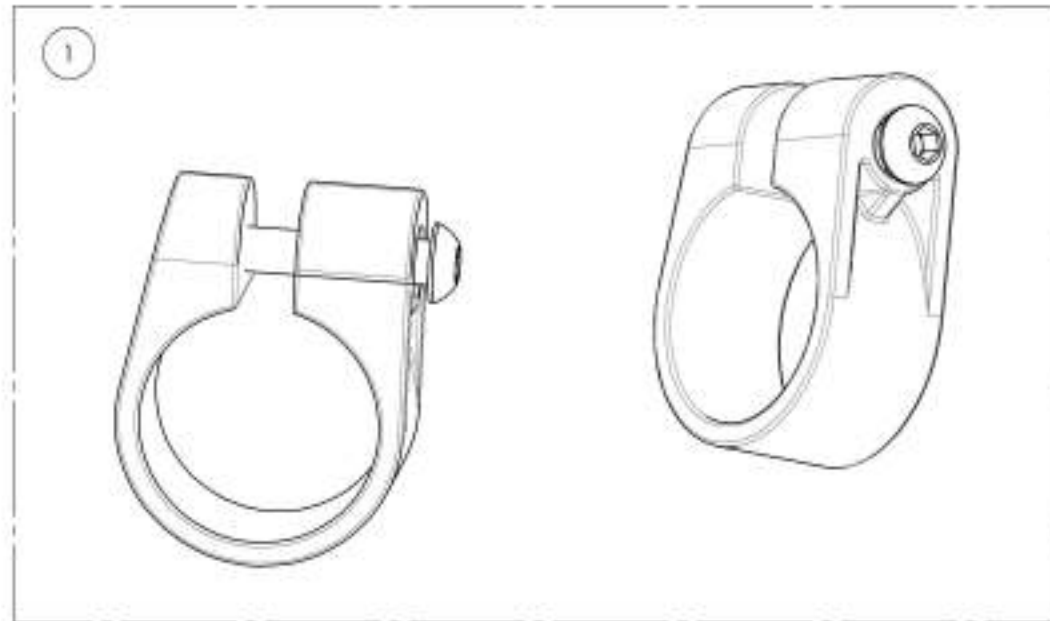
9007792 & 9007793
 Hip Belt - Bodypoint Evoflex, Swivel
 Small 38cm (15in) & Medium 46cm (18in)



MAKE SURE TO HAVE YOUR SERIAL NUMBER
 NEARBY WHEN ORDERING PARTS FOR YOUR
 MOTION COMPOSITES WHEELCHAIR

Seatbelt Catalogue
Positioning Seatbelts - Additional Hardware (2 Composite Clamps)

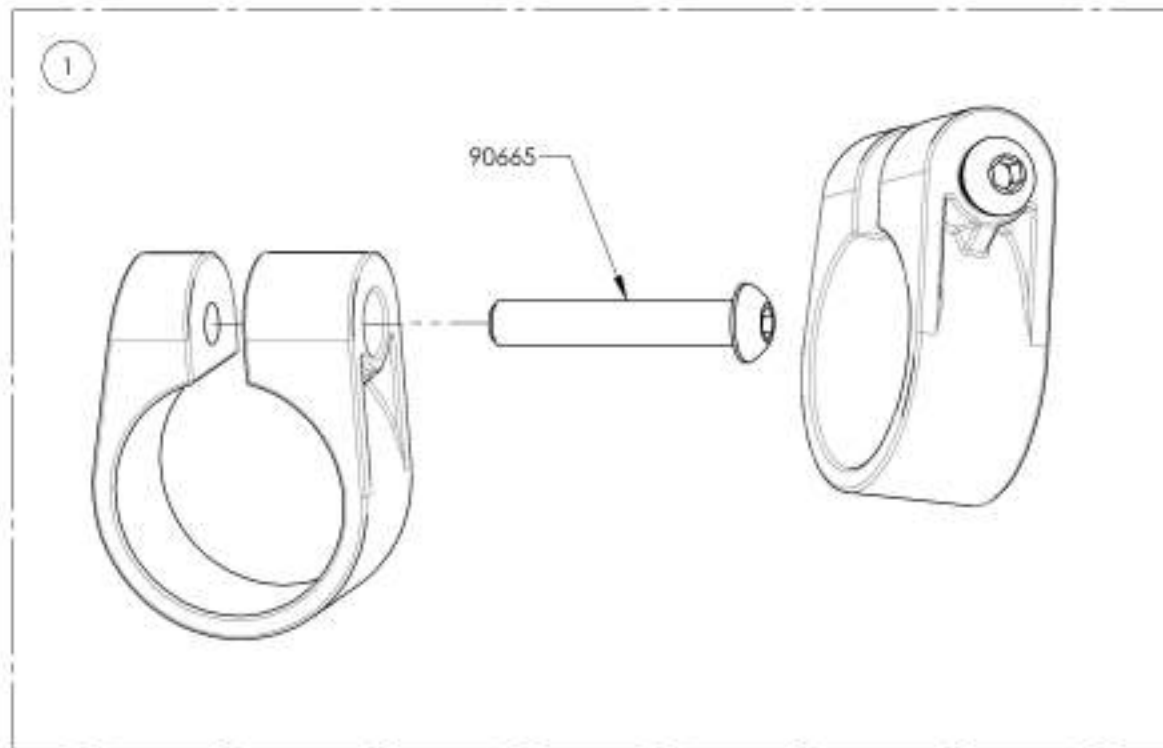
ITEM NO.	PARTNO	DESCRIPTION	QTY.
1	9002220	Positioning Seatbelt - Additional Hardware (2 Composite Clamps)	1



MAKE SURE TO HAVE YOUR SERIAL NUMBER
NEARBY WHEN ORDERING PARTS FOR YOUR
MOTION COMPOSITES WHEELCHAIR

9002220
Positioning Seatbelts - Additional Hardware (2 Composite Clamps)

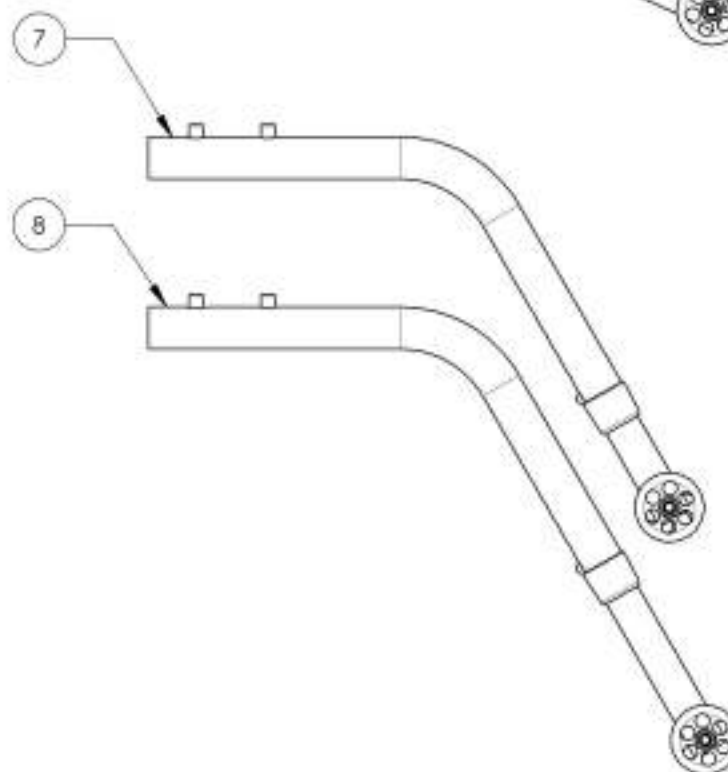
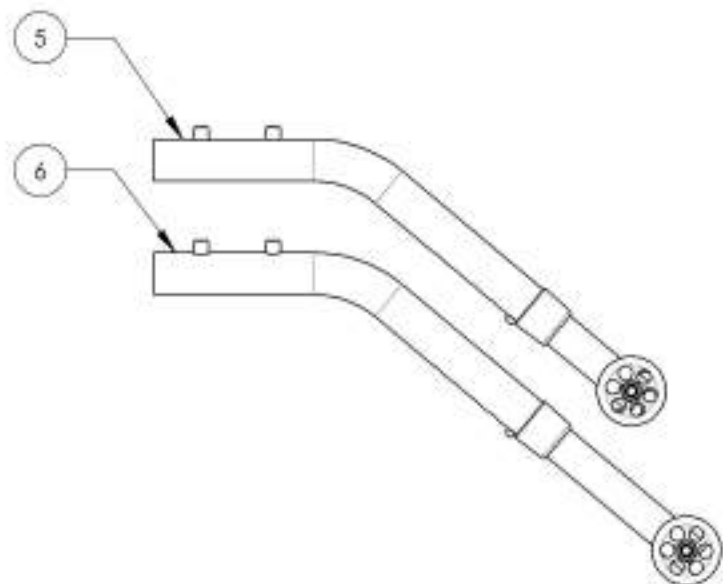
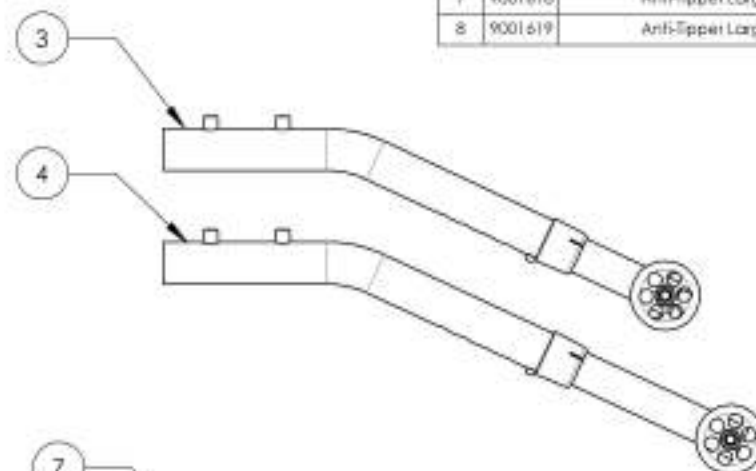
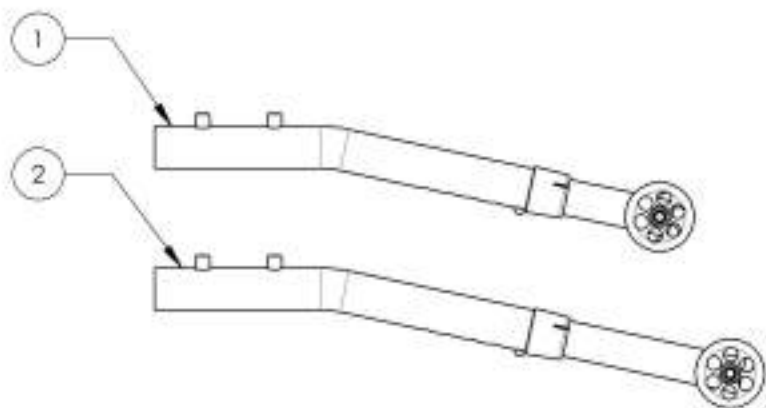
ITEM NO.	PARTNO	DESCRIPTION	9002220 /QTY.
1	60500	FRAME SAVER ASSEMBLY (PAIR)	1



MAKE SURE TO HAVE YOUR SERIAL NUMBER
NEARBY WHEN ORDERING PARTS FOR YOUR
MOTION COMPOSITES WHEELCHAIR

Accessories Catalogue
Anti-tippers

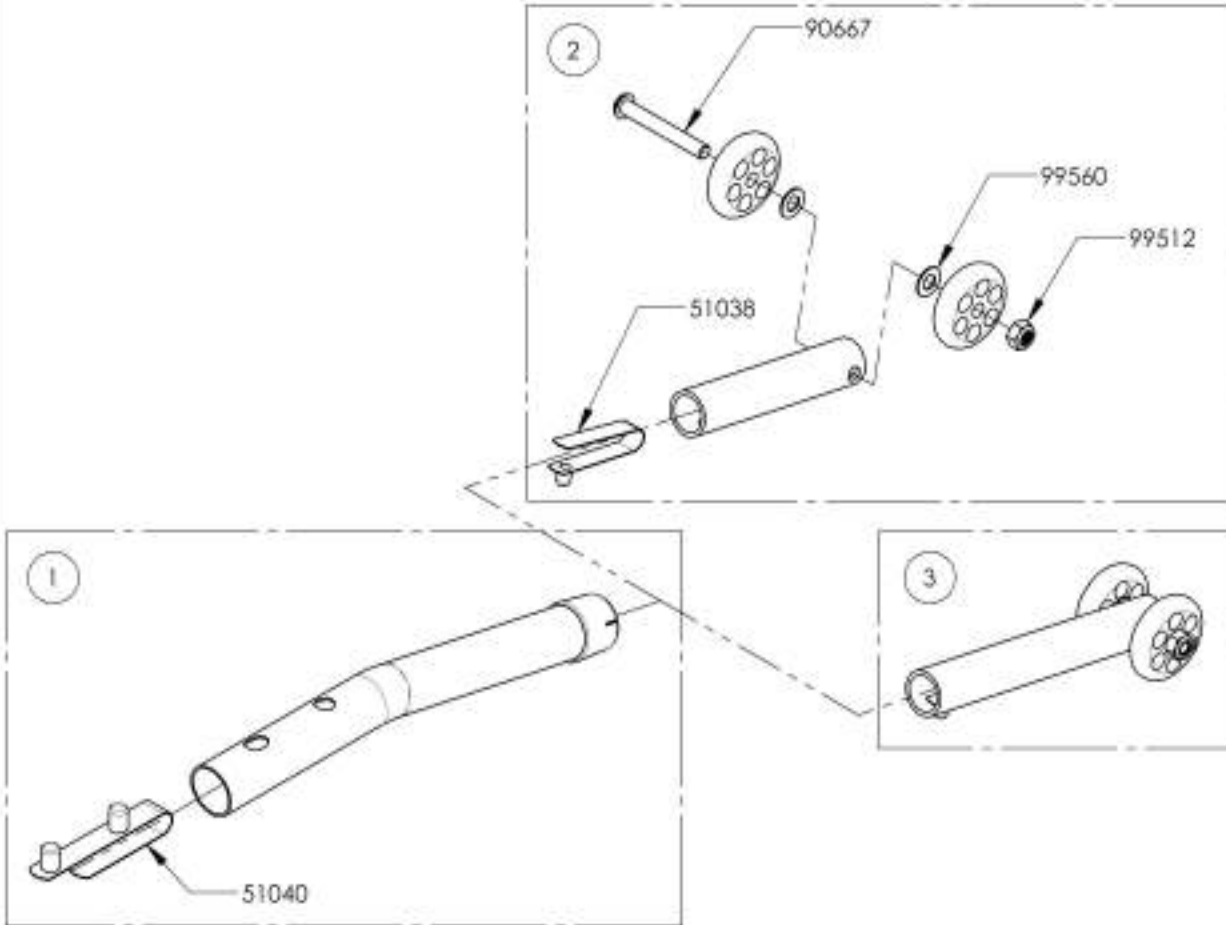
ITEM NO.	PART NO	DESCRIPTION	QTY.
1	9001 620	Anti-Tipper X- Small + Short Extension	1
2	9001 621	Anti-Tipper X- Small + Long Extension	1
3	9001 614	Anti-Tipper Small + Short Extension	1
4	9001 615	Anti-Tipper Small + Long Extension	1
5	9001 616	Anti-Tipper Medium + Short Extension	1
6	9001 617	Anti-Tipper Medium + Long Extension	1
7	9001 618	Anti-Tipper Large + Short Extension	1
8	9001 619	Anti-Tipper Large + Long Extension	1



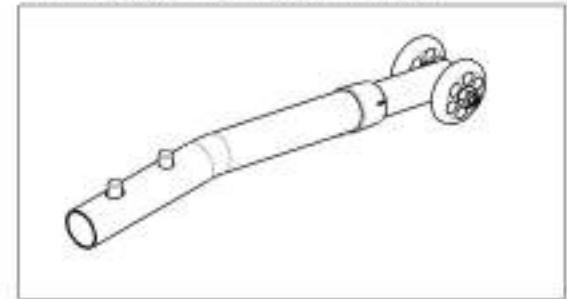
MAKE SURE TO HAVE YOUR SERIAL NUMBER
NEARBY WHEN ORDERING PARTS FOR YOUR
MOTION COMPOSITES WHEELCHAIR

9001620_9001621
Anti-Tipper X- Small + Extension

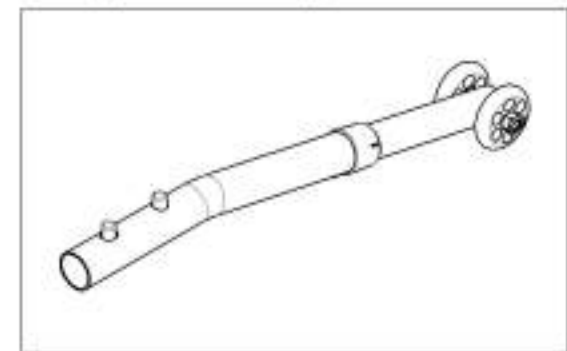
ITEM NO.	PARTNO	DESCRIPTION	9001620 /QTY.	9001621 /QTY.
1	51513	ANTI-TIPPER X-SMALL V2 - ASSEMBLY	1	1
2	51517	ANTI-TIPPER EXTENSION SHORT V2 - ASSEMBLY	1	-
3	51518	ANTI-TIPPER EXTENSION LONG V2 - ASSEMBLY	-	1



9001620
 Anti-Tipper X- Small + Short Extension



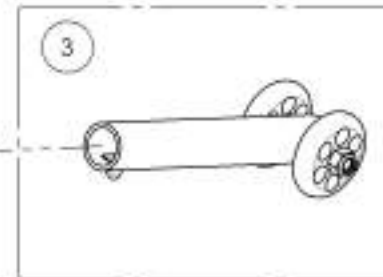
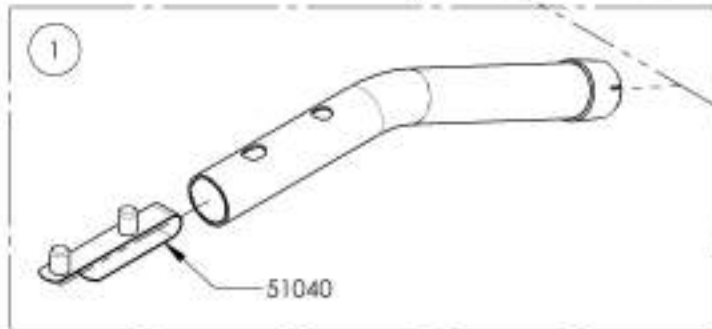
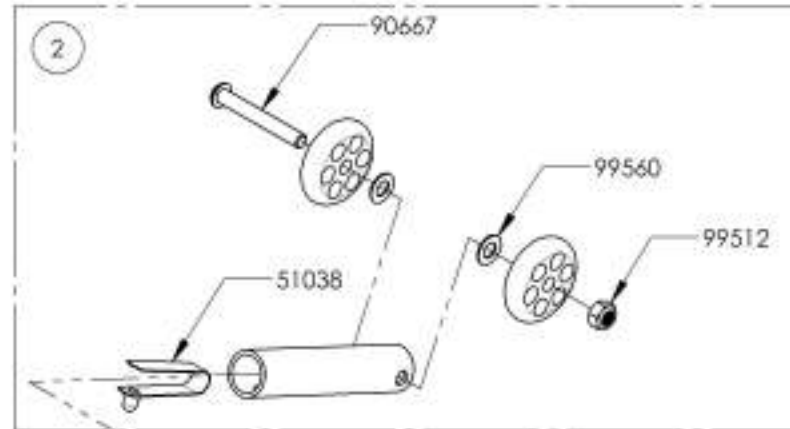
9001621
 Anti-Tipper X- Small + Long Extension



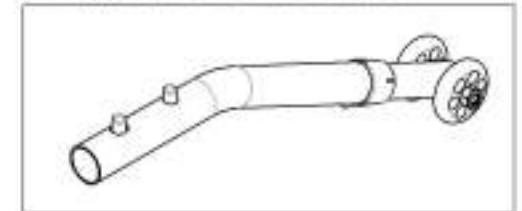
MAKE SURE TO HAVE YOUR SERIAL NUMBER
 NEARBY WHEN ORDERING PARTS FOR YOUR
 MOTION COMPOSITES WHEELCHAIR

9001614_9001615
Anti-Tipper Small + Extension

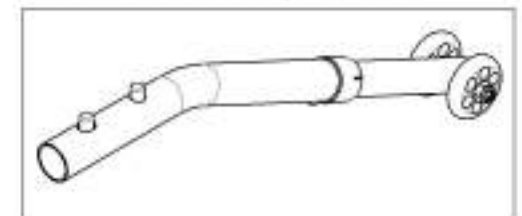
ITEM NO.	PARTNO	DESCRIPTION	9001614 /QTY.	9001615 /QTY.
1	51519	ANTI-TIPPER SMALL V2 - ASSEMBLY	1	1
2	51517	ANTI-TIPPER EXTENSION SHORT V2 - ASSEMBLY	1	-
3	51518	ANTI-TIPPER EXTENSION LONG V2 - ASSEMBLY	-	1



9001614
 Anti-Tipper Small + Short Extension



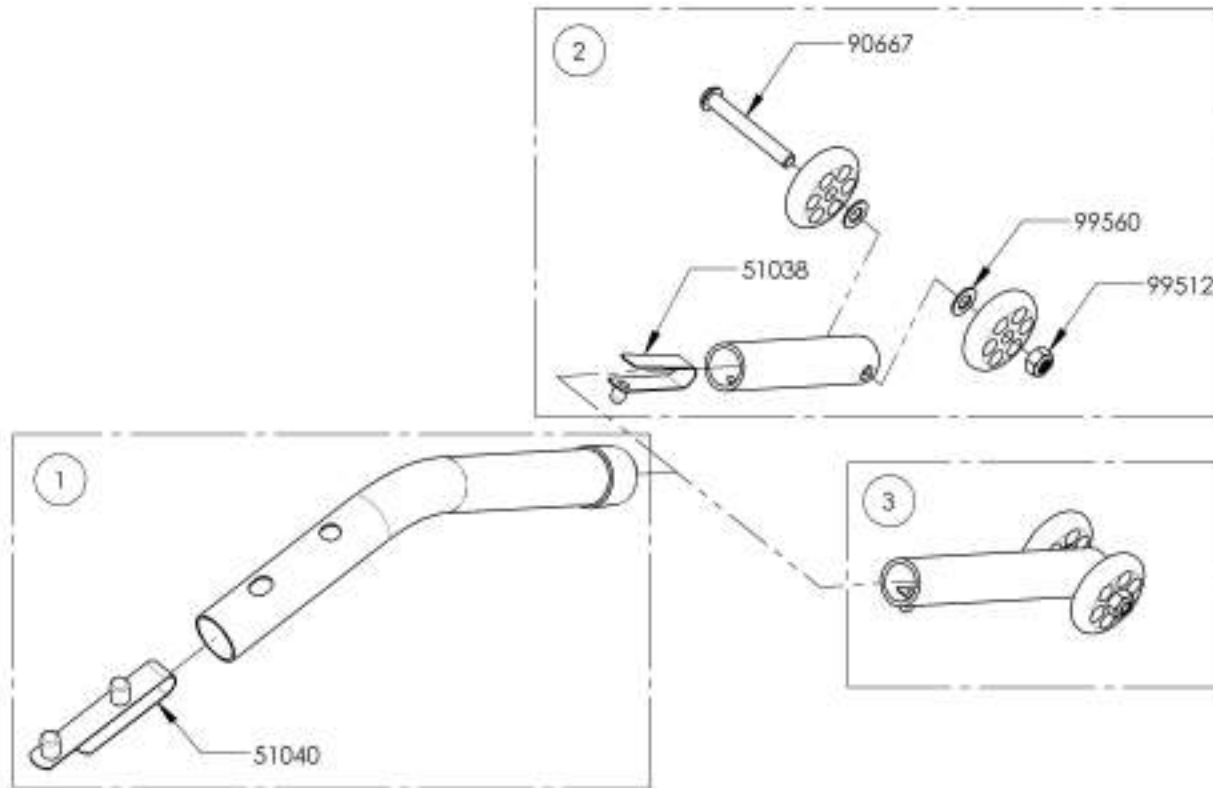
9001615
 Anti-Tipper Small + Long Extension



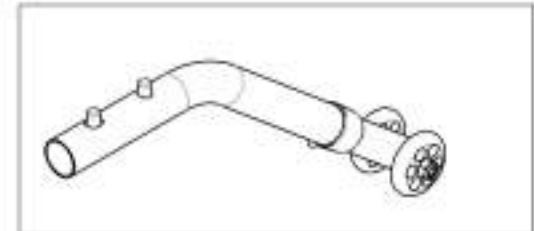
MAKE SURE TO HAVE YOUR SERIAL NUMBER
 NEARBY WHEN ORDERING PARTS FOR YOUR
 MOTION COMPOSITES WHEELCHAIR

9001616_9001617
Anti-Tipper Medium + Extension

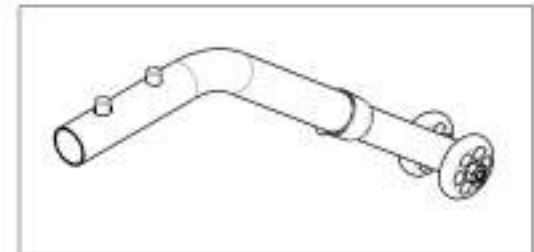
ITEM NO.	PARTNO	DESCRIPTION	9001616 /QTY.	9001617 /QTY.
1	51520	ANTI-TIPPER MEDIUM V2 - ASSEMBLY	1	1
2	51517	ANTI-TIPPER EXTENSION SHORT V2 - ASSEMBLY	1	-
3	51518	ANTI-TIPPER EXTENSION LONG V2 - ASSEMBLY	-	1



9001616
 Anti-Tipper Medium + Short Extension



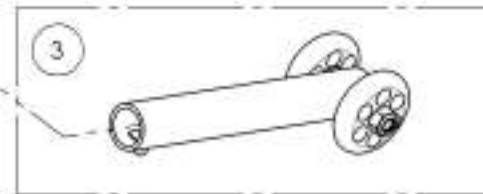
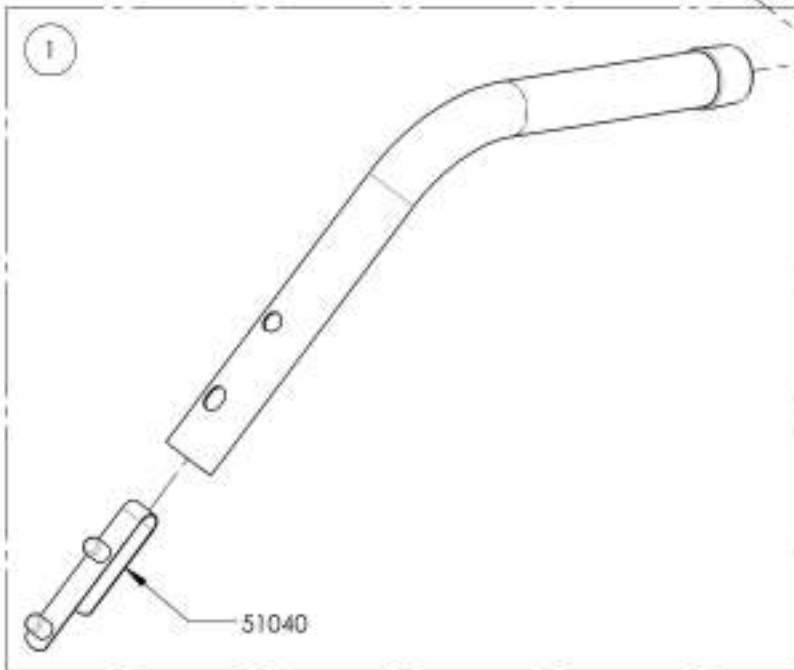
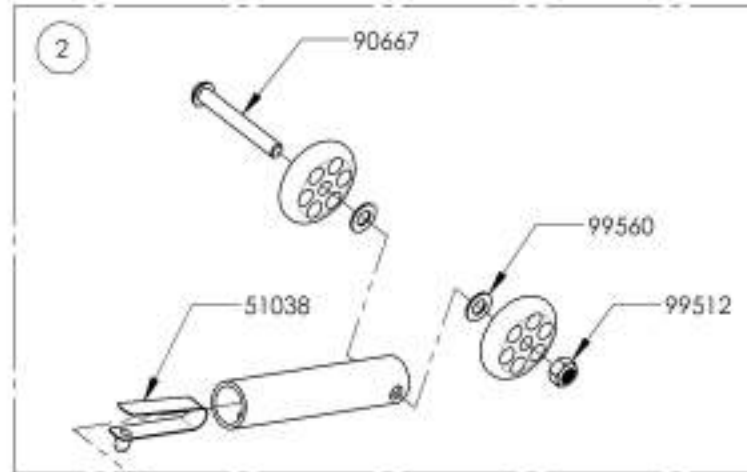
9001617
 Anti-Tipper Medium + Long Extension



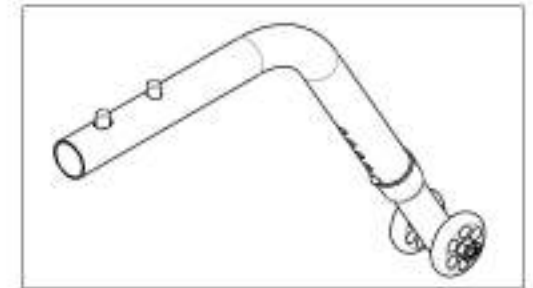
MAKE SURE TO HAVE YOUR SERIAL NUMBER
 NEARBY WHEN ORDERING PARTS FOR YOUR
 MOTION COMPOSITES WHEELCHAIR

9001618_9001619
Anti-Tipper Large + Extension

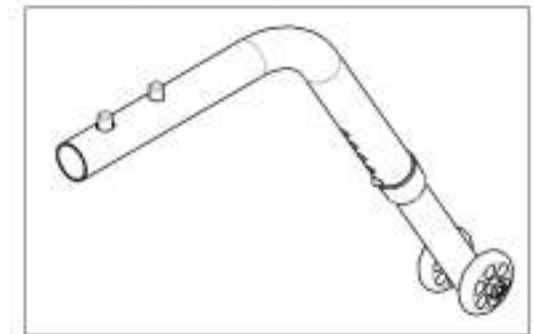
ITEM NO.	PARTNO	DESCRIPTION	9001618 /QTY.	9001619 /QTY.
1	51521	ANTI-TIPPER LARGE V2 - ASSEMBLY	1	1
2	51517	ANTI-TIPPER EXTENSION SHORT V2 - ASSEMBLY	1	-
3	51518	ANTI-TIPPER EXTENSION LONG V2 - ASSEMBLY	-	1



9001618
 Anti-Tipper Large + Short Extension



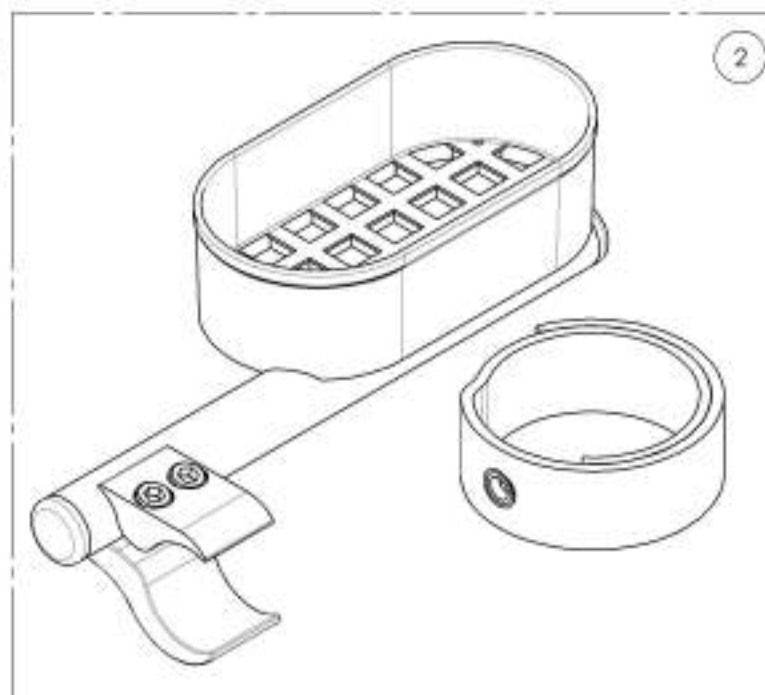
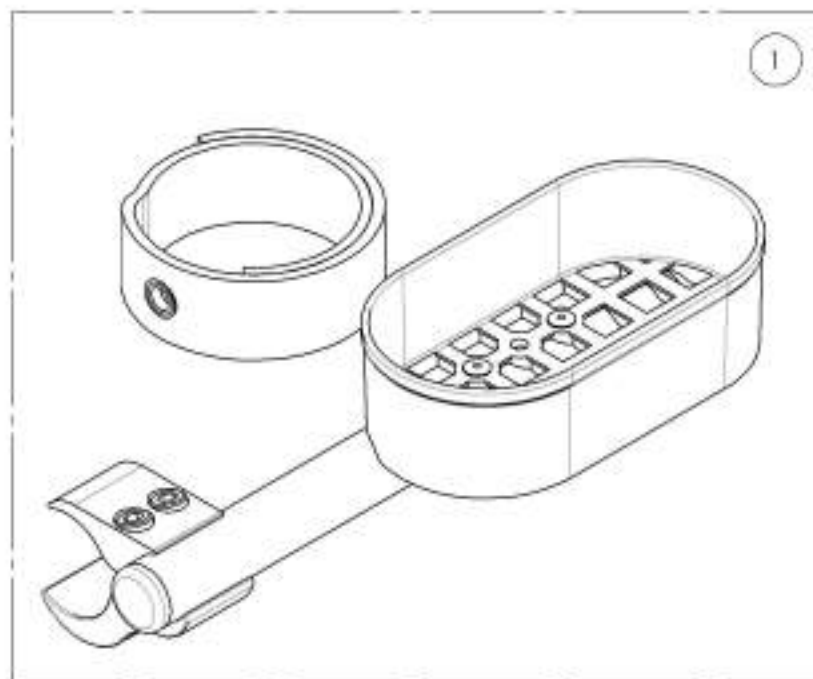
9001619
 Anti-Tipper Large + Long Extension



MAKE SURE TO HAVE YOUR SERIAL NUMBER
 NEARBY WHEN ORDERING PARTS FOR YOUR
 MOTION COMPOSITES WHEELCHAIR

Accessories Catalogue
Cane Holders

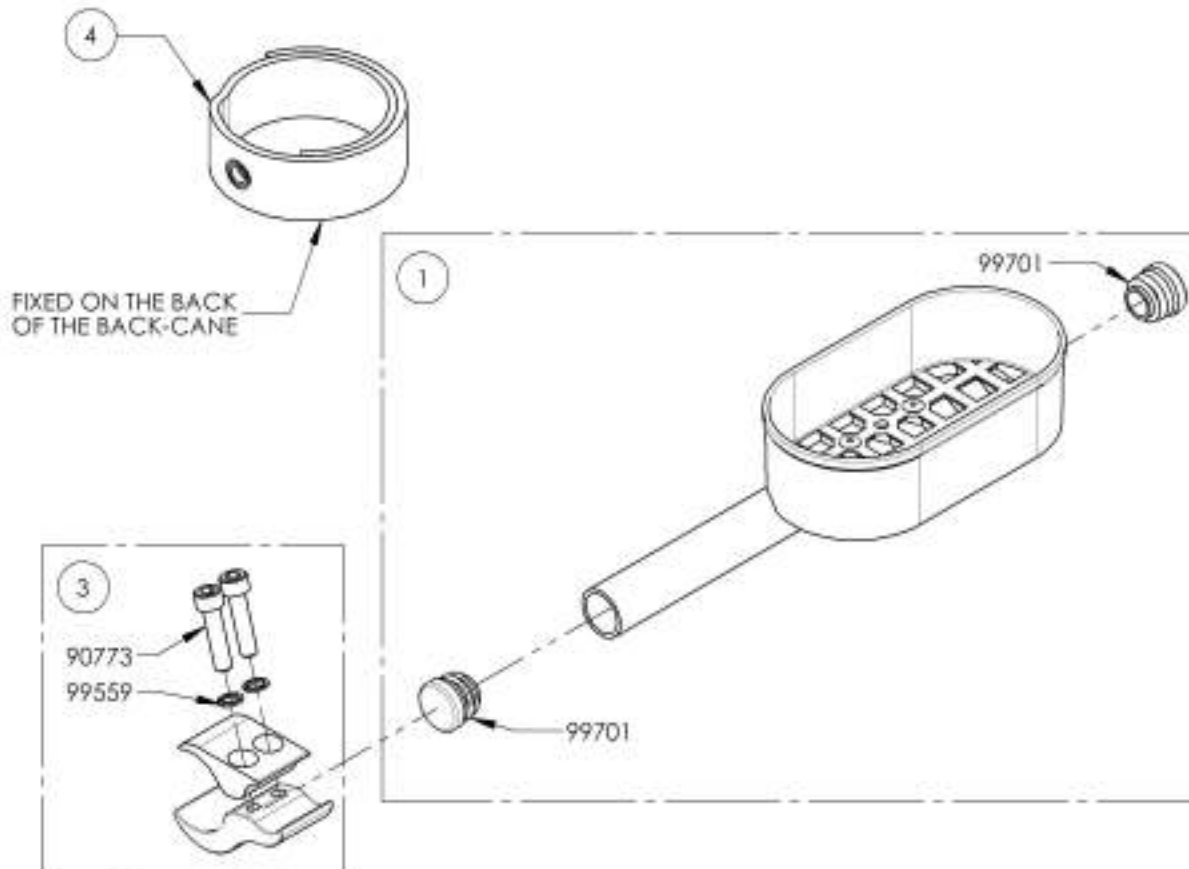
ITEM NO.	PARTNO	DESCRIPTION	QTY.
1	9001627	Cone Holder - Right	1
2	9001628	Cone Holder - Left	1



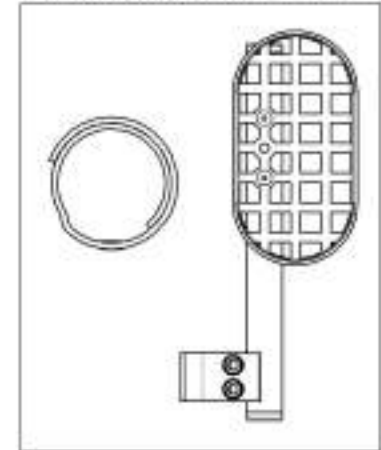
MAKE SURE TO HAVE YOUR SERIAL NUMBER
NEARBY WHEN ORDERING PARTS FOR YOUR
MOTION COMPOSITES WHEELCHAIR

**9001627_9001628
Cane Holders**

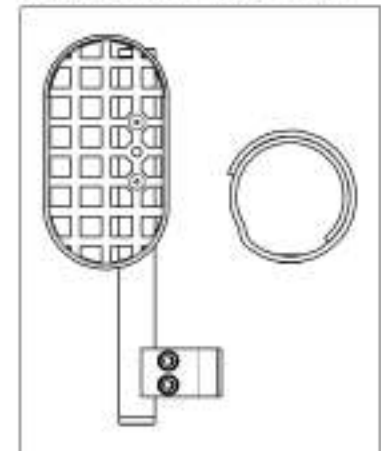
ITEM NO.	PARTNO	DESCRIPTION	9001628 /QTY.	9001627 /QTY.
1	51505	CANE HOLDER RIGHT - ASSEMBLY	-	1
2	51506	CANE HOLDER LEFT - ASSEMBLY	1	-
3	41501	BRAKE CLAMP	1	1
4	51023	CANE HOLDER STRAP	1	1



9001627 - Cane Holder - Right



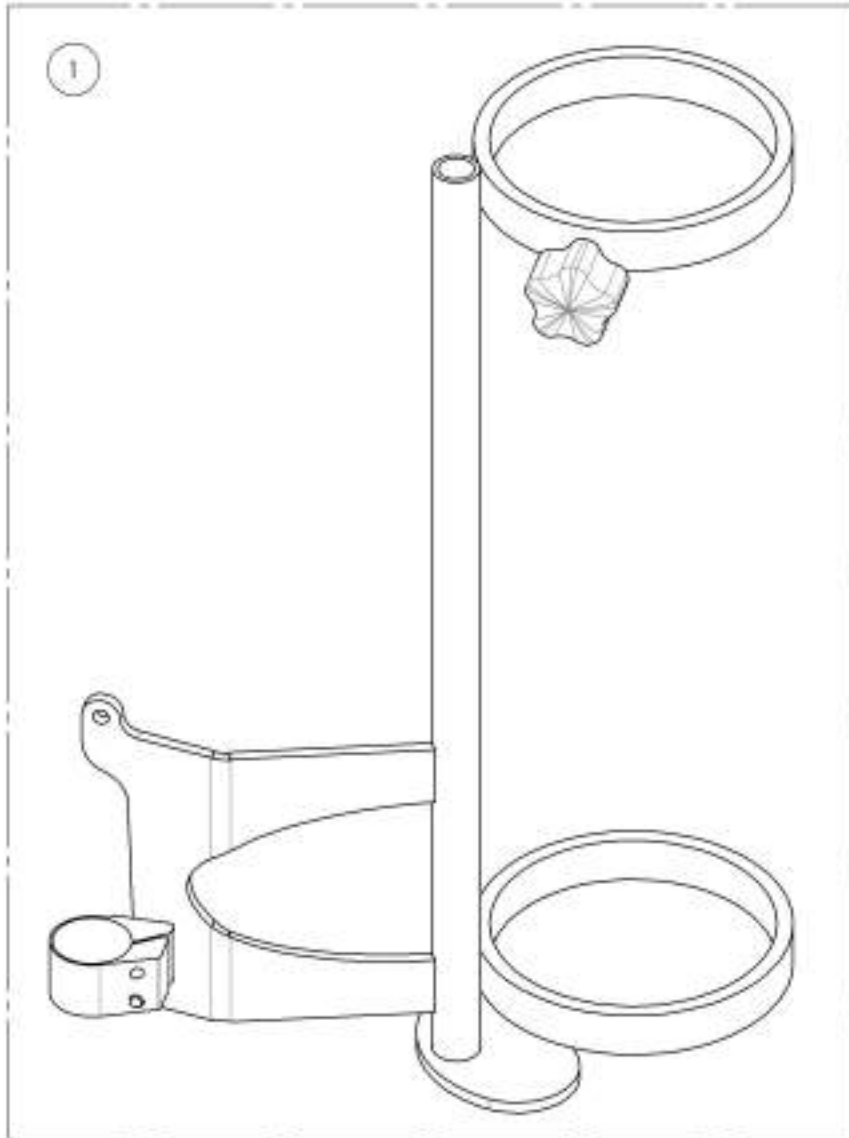
9001628 - Cane Holder - Left



MAKE SURE TO HAVE YOUR SERIAL NUMBER NEARBY WHEN ORDERING PARTS FOR YOUR MOTION COMPOSITES WHEELCHAIR

Accessories Catalogue
Oxygen Tank Holder

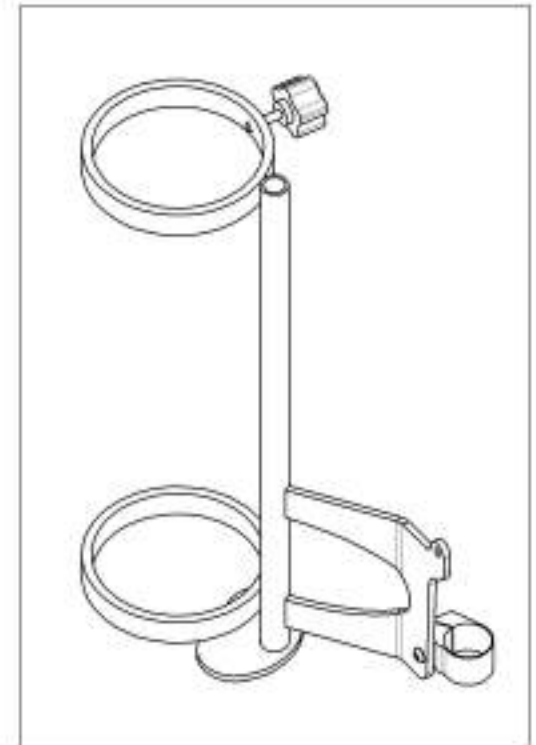
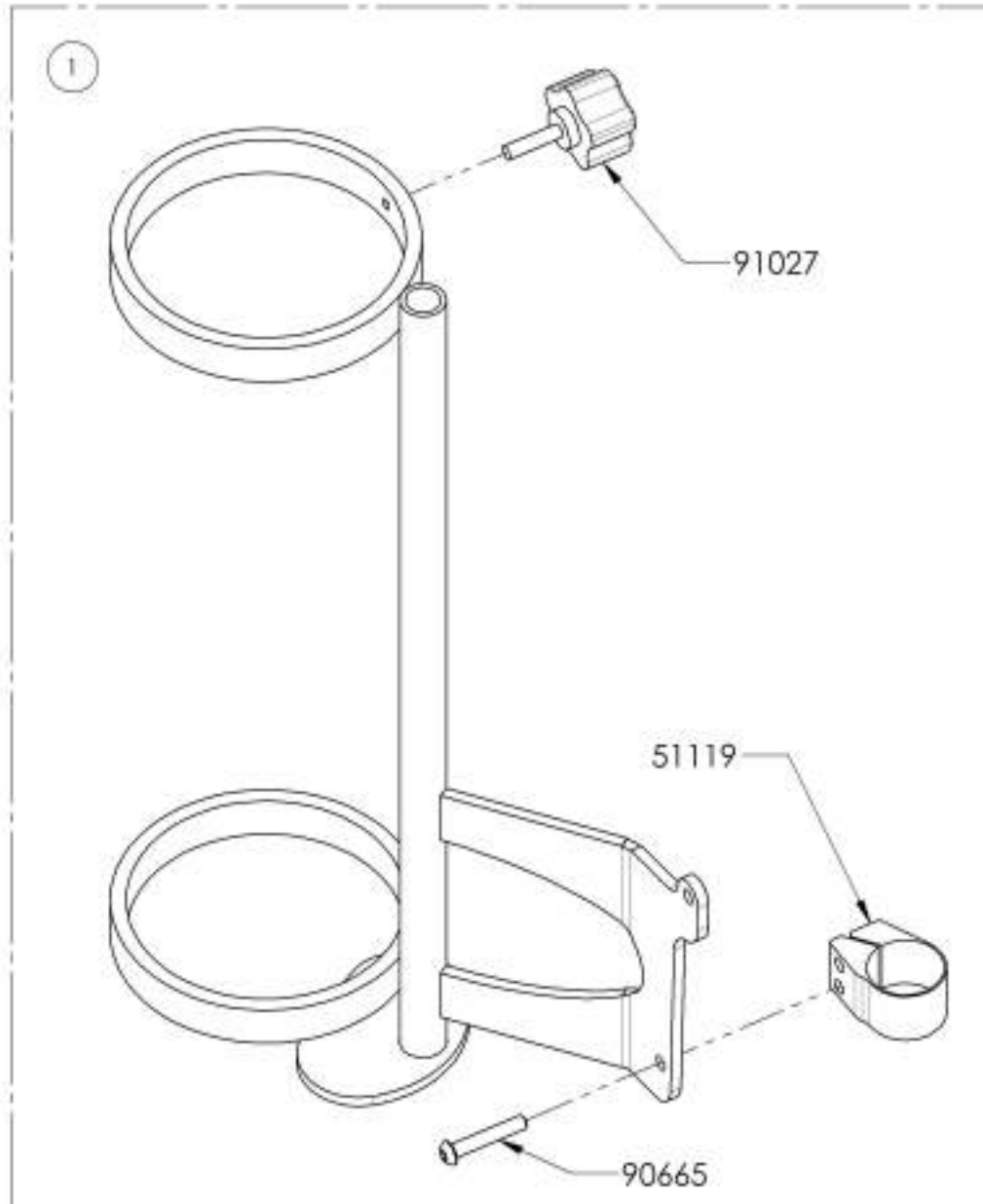
ITEM NO.	PARTNO	DESCRIPTION	QTY.
1	9001640	Oxygen Tank Holder	1



MAKE SURE TO HAVE YOUR SERIAL NUMBER
NEARBY WHEN ORDERING PARTS FOR YOUR
MOTION COMPOSITES WHEELCHAIR

**9001640
Oxygen Tank Holder**

ITEM NO.	PARTNO	DESCRIPTION	9001640 /QTY.
1	.60501	OXYGEN TANK HOLDER - ASSEMBLY	1



MAKE SURE TO HAVE YOUR SERIAL NUMBER
NEARBY WHEN ORDERING PARTS FOR YOUR
MOTION COMPOSITES WHEELCHAIR

Accessories Catalogue
Footrest Neopren Impact Guards

ITEM NO.	PARTNO	DESCRIPTION	QTY.
1	9001633	Footrest Impact Guard - Neoprene - Black (Pair)	1

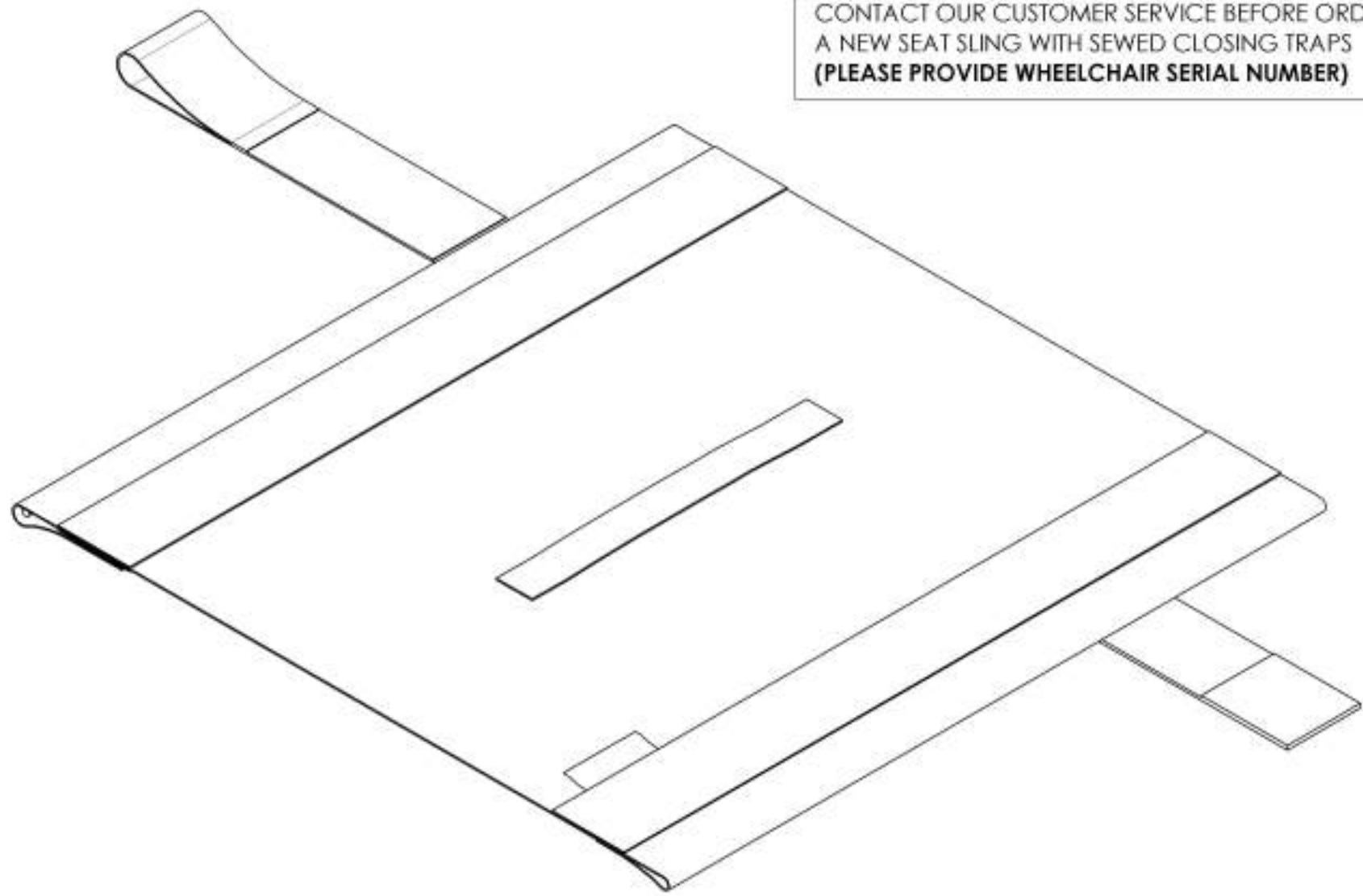


MAKE SURE TO HAVE YOUR SERIAL NUMBER
NEARBY WHEN ORDERING PARTS FOR YOUR
MOTION COMPOSITES WHEELCHAIR

Accessories Catalogue
Closing Straps

ITEM NO.	PARTNO	DESCRIPTION	QTY.
1	9007610	Closing Strap Sewed with Seat Sling (Specify Seat Width & Depth)	1

CONTACT OUR CUSTOMER SERVICE BEFORE ORDERING
A NEW SEAT SLING WITH SEWED CLOSING TRAPS
(PLEASE PROVIDE WHEELCHAIR SERIAL NUMBER)



MAKE SURE TO HAVE YOUR SERIAL NUMBER
NEARBY WHEN ORDERING PARTS FOR YOUR
MOTION COMPOSITES WHEELCHAIR

**Accessories Catalogue
Newton Backpack**

ITEM NO.	PARTNO	DESCRIPTION	QTY
1	900059	Backpack - Newton	1



20"
51cm

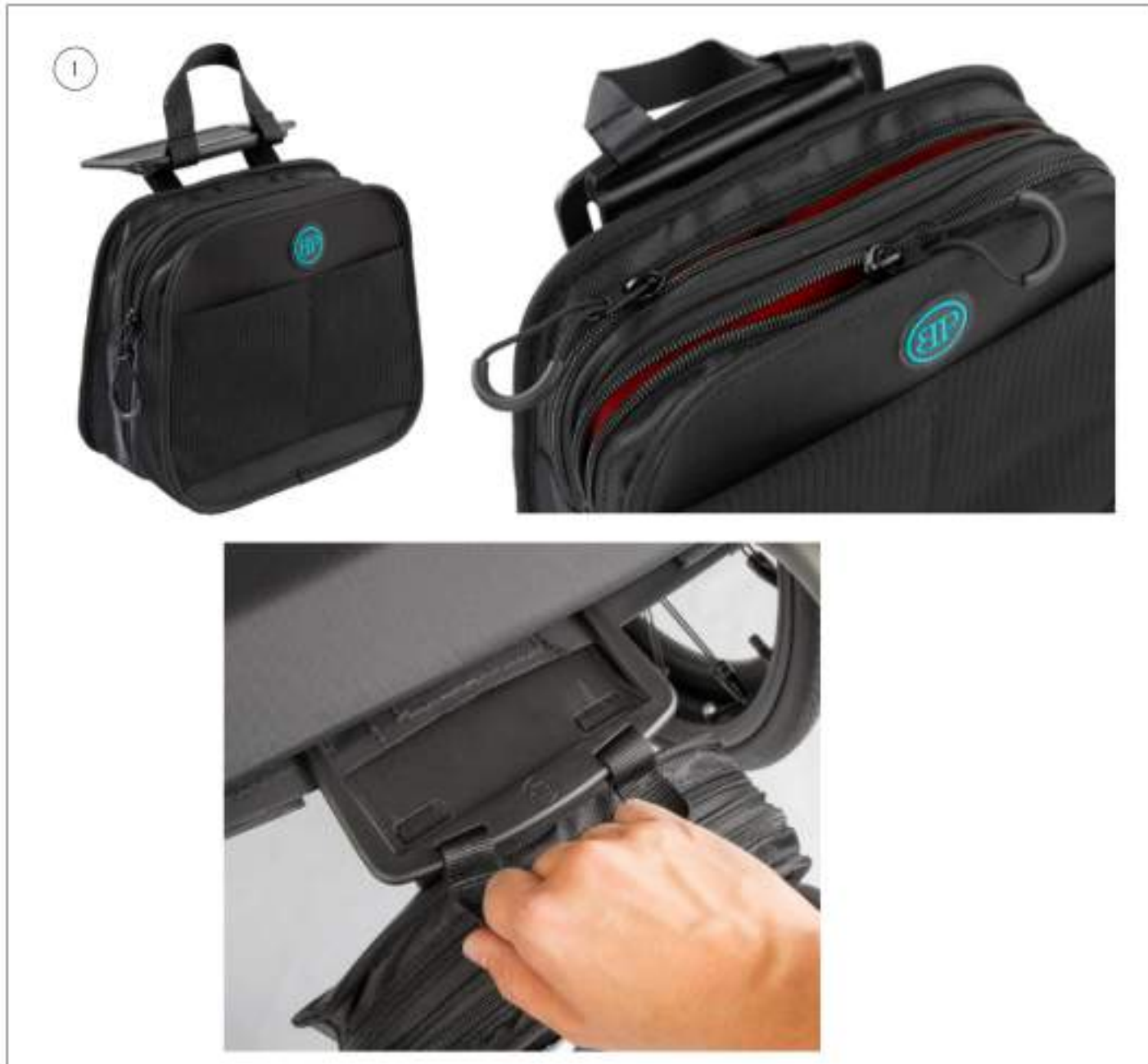
13"
33cm



MAKE SURE TO HAVE YOUR SERIAL NUMBER
NEARBY WHEN ORDERING PARTS FOR YOUR
MOTION COMPOSITES WHEELCHAIR

Accessories Catalogue
Bodypoint Mobility Bag

ITEM NO.	PARTNO	DESCRIPTION	QTY
1	9007794	Bag - Bodypoint Mobility	1



MAKE SURE TO HAVE YOUR SERIAL NUMBER
NEARBY WHEN ORDERING PARTS FOR YOUR
MOTION COMPOSITES WHEELCHAIR

Accessories Catalogue
Seat Pouch

ITEM NO.	PARTNO	DESCRIPTION	QTY.
1	9001 634	Seat Pouch - Motion Composites	1



MAKE SURE TO HAVE YOUR SERIAL NUMBER
NEARBY WHEN ORDERING PARTS FOR YOUR
MOTION COMPOSITES WHEELCHAIR

Accessories Catalogue
Tool Kit

ITEM NO.	PARTNO	DESCRIPTION	QTY.
1	9001643	Tool Kit	1
2	9002426	Tool - Screwdriver 1.5mm HEX	1



MAKE SURE TO HAVE YOUR SERIAL NUMBER
NEARBY WHEN ORDERING PARTS FOR YOUR
MOTION COMPOSITES WHEELCHAIR

**9001643
Tool Kit**

ITEM NO.	PARTNO	DESCRIPTION	9001643 /QTY.
1	80001	THREADED KNOB	1
2	51120	METRIC TOOL KIT	1
3	80002	3" TOOL	1



MAKE SURE TO HAVE YOUR SERIAL NUMBER
NEARBY WHEN ORDERING PARTS FOR YOUR
MOTION COMPOSITES WHEELCHAIR

**Color Options Catalogue
Stickers - Chronos & Cobalt**



ITEM NO.	PARTNO	DESCRIPTION	QTY
1	9007598	Sticker - Chronos, Frame, Bottom Tube - Black (Pair)	1
2	9007599	Sticker - Chronos, Frame, Bottom Tube - White (Pair)	1
3	9007600	Sticker - Cobalt 1, Frame, Bottom Tube - Black (Pair)	1
4	9007601	Sticker - Cobalt 1, Frame, Bottom Tube - White (Pair)	1
5	9007602	Sticker - Cobalt 2, Frame, Bottom Tube - Black (Pair)	1
6	9007603	Sticker - Cobalt 2, Frame, Bottom Tube - White (Pair)	1
7	9002439	Sticker - Motion Composites, Frame, Rear Tube, Right - Black	1
8	9002440	Sticker - Motion Composites, Frame, Rear Tube, Right - White	1

RIGHT



Place the sticker on superior part of frame tube at approximately 45°



LEFT



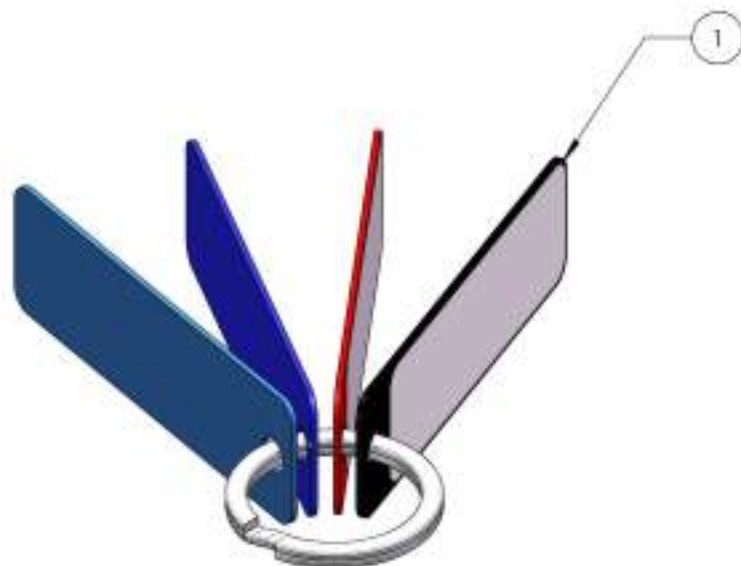
Aligned the grooves of the stickers with the crossbrace tab on frame



MAKE SURE TO HAVE YOUR SERIAL NUMBER NEARBY WHEN ORDERING PARTS FOR YOUR MOTION COMPOSITES WHEELCHAIR

Color Options Catalogue
Color Swatch

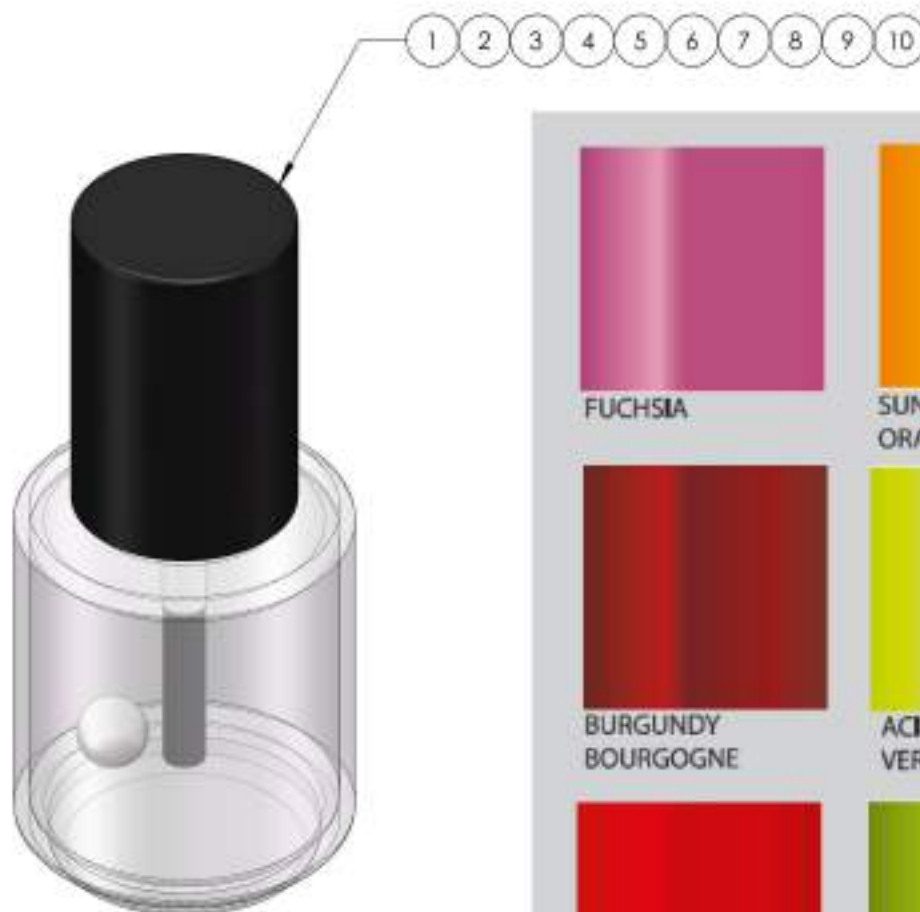
ITEM NO.	PARTNO	DESCRIPTION	QTY
1	9001445	Color Swatch - RAMQ Colors, Key Ring Assembly	1



MAKE SURE TO HAVE YOUR SERIAL NUMBER
NEARBY WHEN ORDERING PARTS FOR YOUR
MOTION COMPOSITES WHEELCHAIR

Color Options Catalogue
Color Touch-Up

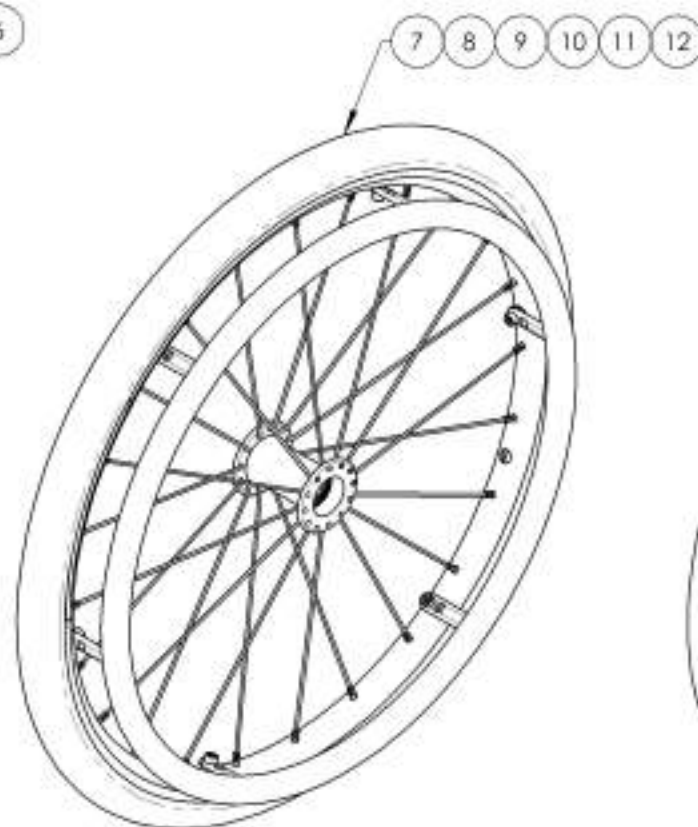
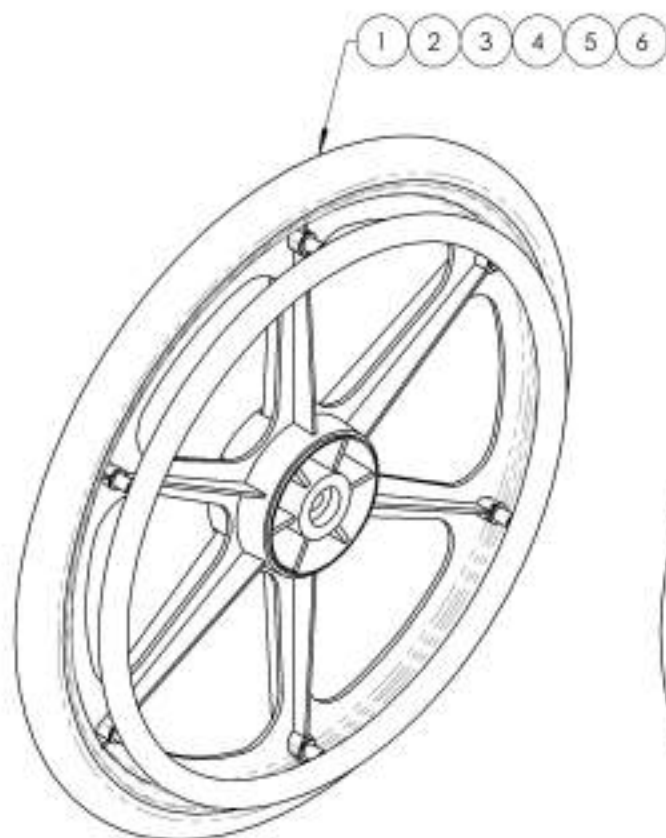
ITEM NO.	PARTNO	DESCRIPTION	QTY
1	9003033	Color Touch Up - Fuchsia	1
2	9003034	Color Touch Up - Burgundy	1
3	9003035	Color Touch Up - Ferrari Red	1
4	9003036	Color Touch Up - Sunkissed Orange	1
5	9003037	Color Touch Up - Acid Green	1
6	9003038	Color Touch Up - Monster Green	1
7	9003039	Color Touch Up - Sapphire Blue	1
8	9003040	Color Touch Up - Steel Blue	1
9	9003041	Color Touch Up - Charcoal	1
10	9003042	Color Touch Up - Black	1



MAKE SURE TO HAVE YOUR SERIAL NUMBER
NEARBY WHEN ORDERING PARTS FOR YOUR
MOTION COMPOSITES WHEELCHAIR

Quick Order Catalogue
Rear Wheel Assembly

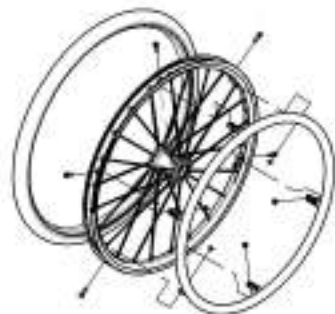
ITEM NO.	PARTNO	DESCRIPTION	QTY.
1	9002169	Rear Wheel - Mag + Soft Urethane Tire + Aluminium Handrim, 20 in	1
2	9002170	Rear Wheel - Mag + Soft Urethane Tire + Plastic Coated Handrim, 20 in	1
3	9002171	Rear Wheel - Mag + Soft Urethane Tire + Aluminium Handrim, 22 in	1
4	9002172	Rear Wheel - Mag + Soft Urethane Tire + Plastic Coated Handrim, 22 in	1
5	9002173	Rear Wheel - Mag + Soft Urethane Tire + Aluminium Handrim, 24 in	1
6	9002174	Rear Wheel - Mag + Soft Urethane Tire + Plastic Coated Handrim, 24 in	1
7	9002148	Rear Wheel - Newton One + Soft Urethane Tire + Aluminium Handrim, 20 in	1
8	9002149	Rear Wheel - Newton One + Soft Urethane Tire + Plastic Coated Handrim, 20 in	1
9	9002175	Rear Wheel - Newton One + Soft Urethane Tire + Aluminium Handrim, 22 in	1
10	9002176	Rear Wheel - Newton One + Soft Urethane Tire + Plastic Coated Handrim, 22 in	1
11	9002177	Rear Wheel - Newton One + Soft Urethane Tire + Aluminium Handrim, 24 in	1
12	9002178	Rear Wheel - Newton One + Soft Urethane Tire + Plastic Coated Handrim, 24 in	1
13	9002179	Rear Wheel - Newton Gravity + Soft Urethane Tire + Aluminium Handrim, 20 in	1
14	9002180	Rear Wheel - Newton Gravity + Soft Urethane Tire + Plastic Coated Handrim, 20 in	1
15	9002181	Rear Wheel - Newton Gravity + Soft Urethane Tire + Aluminium Handrim, 22 in	1
16	9002182	Rear Wheel - Newton Gravity + Soft Urethane Tire + Plastic Coated Handrim, 22 in	1
17	9002183	Rear Wheel - Newton Gravity + Soft Urethane Tire + Aluminium Handrim, 24 in	1
18	9002184	Rear Wheel - Newton Gravity + Soft Urethane Tire + Plastic Coated Handrim, 24 in	1



MAKE SURE TO HAVE YOUR SERIAL NUMBER
 NEARBY WHEN ORDERING PARTS FOR YOUR
 MOTION COMPOSITES WHEELCHAIR

9002148_9002149 & 9002169_9002184
Rear Wheel Assembly

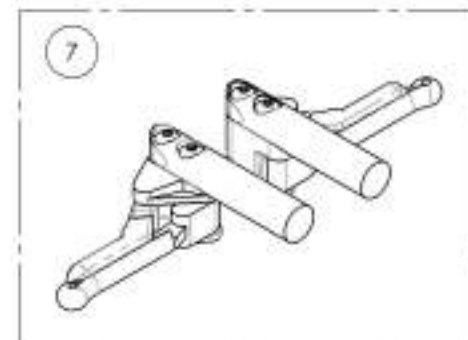
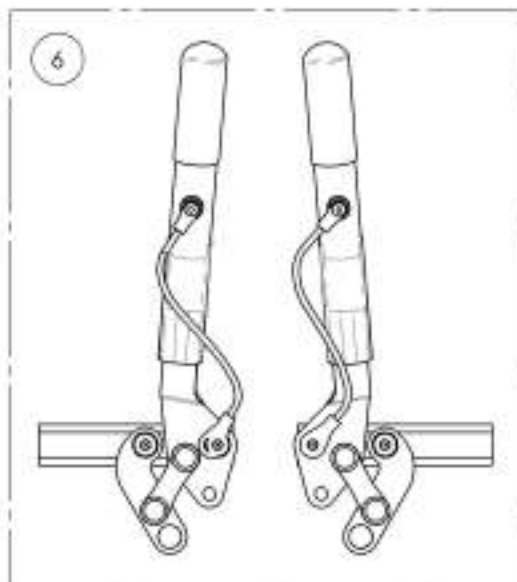
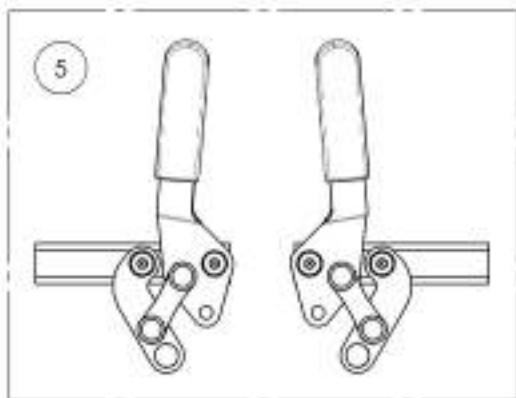
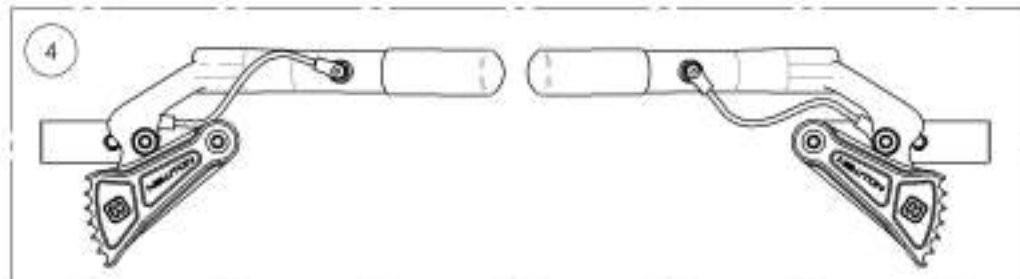
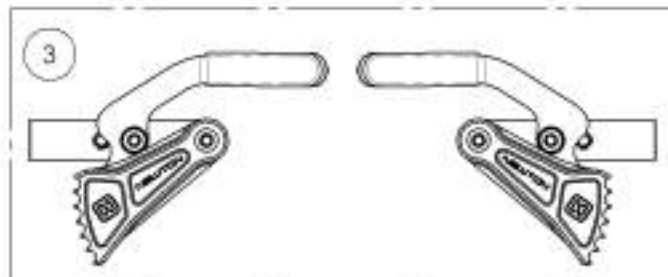
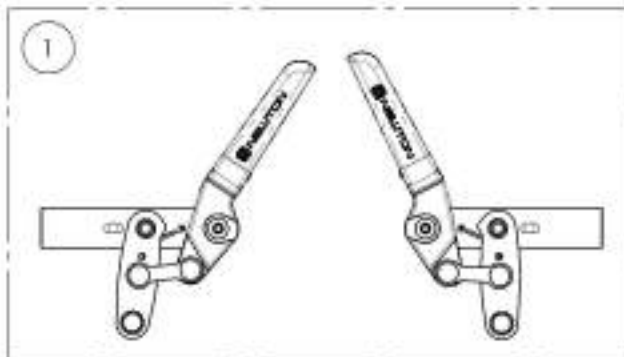
ITEM NO.	PARTNO	DESCRIPTION	9002169 /QTY.	9002170 /QTY.	9002171 /QTY.	9002172 /QTY.	9002173 /QTY.	9002174 /QTY.	9002148 /QTY.	9002149 /QTY.	9002175 /QTY.	9002176 /QTY.	9002177 /QTY.	9002178 /QTY.	9002179 /QTY.	9002180 /QTY.	9002181 /QTY.	9002182 /QTY.	9002183 /QTY.	9002184 /QTY.
1	21105	20" MAG WHEEL	1	1	-	-	-	-	-	-	-	-	-	-	-	-	-	-	-	-
2	21106	22" MAG WHEEL	-	-	1	1	-	-	-	-	-	-	-	-	-	-	-	-	-	-
3	21107	24" MAG WHEEL	-	-	-	-	1	1	-	-	-	-	-	-	-	-	-	-	-	-
4	21118	20 in NEWTON ONE WHEEL	-	-	-	-	-	-	1	1	-	-	-	-	-	-	-	-	-	-
5	21110	22 in NEWTON ONE WHEEL	-	-	-	-	-	-	-	-	1	1	-	-	-	-	-	-	-	-
6	21111	24 in NEWTON ONE WHEEL	-	-	-	-	-	-	-	-	-	-	1	1	-	-	-	-	-	-
7	21113	20" NEWTON GRAVITY WHEEL	-	-	-	-	-	-	-	-	-	-	-	-	1	1	-	-	-	-
8	21114	22" NEWTON GRAVITY WHEEL	-	-	-	-	-	-	-	-	-	-	-	-	-	-	1	1	-	-
9	21115	24" NEWTON GRAVITY WHEEL	-	-	-	-	-	-	-	-	-	-	-	-	-	-	-	-	1	1
10	21365	SOFT URETHANE TIRE 20 x 1 1/4in	1	1	-	-	-	-	1	1	-	-	-	-	1	1	-	-	-	-
11	21366	SOFT URETHANE TIRE 22 x 1 1/4in	-	-	1	1	-	-	-	-	1	1	-	-	-	-	1	1	-	-
12	21367	SOFT URETHANE TIRE 24 x 1 1/4in	-	-	-	-	1	1	-	-	-	-	1	1	-	-	-	-	1	1
13	21236	20" ALUMINUM ANODIZED HANDRM- MAG WHEEL	1	-	-	-	-	-	-	-	-	-	-	-	-	-	-	-	-	-
14	21205	22" ALUMINUM ANODIZED HANDRM- MAG WHEEL	-	-	1	-	-	-	-	-	-	-	-	-	-	-	-	-	-	-
15	21206	24" ALUMINUM ANODIZED HANDRM- MAG WHEEL	-	-	-	-	1	-	-	-	-	-	-	-	-	-	-	-	-	-
16	21237	20in PLASTIC COATED HANDRM - MAG WHEEL	-	1	-	-	-	-	-	-	-	-	-	-	-	-	-	-	-	-
17	21207	22 IN PLASTIC COATED HANDRM - MAG WHEEL	-	-	-	1	-	-	-	-	-	-	-	-	-	-	-	-	-	-
18	21208	24 IN PLASTIC COATED HANDRM - MAG WHEEL	-	-	-	-	-	1	-	-	-	-	-	-	-	-	-	-	-	-
19	21200	20in ALUMINUM ANODIZED HANDRM	-	-	-	-	-	-	1	-	-	-	-	-	1	-	-	-	-	-
20	21201	22in ALUMINUM ANODIZED HANDRM	-	-	-	-	-	-	-	-	1	-	-	-	-	-	1	-	-	-
21	21202	24in ALUMINUM ANODIZED HANDRM	-	-	-	-	-	-	-	-	-	-	1	-	-	-	-	-	1	-
22	21210	20 in PLASTIC COATED HANDRM	-	-	-	-	-	-	-	1	-	-	-	-	-	1	-	-	-	-
23	21211	22 in PLASTIC COATED HANDRM	-	-	-	-	-	-	-	-	-	1	-	-	-	-	-	1	-	-
24	21212	24 in PLASTIC COATED HANDRM	-	-	-	-	-	-	-	-	-	-	-	1	-	-	-	-	-	1
25	99601	SPACER HANDRM MAG (set: 200 + 200 cent)	6	6	4	4	4	4	-	-	-	-	-	-	-	-	-	-	-	-
26	99013	SCREW PHILLIPS PAN HD #10_32 X 1_1_2 + BLUE THREADLOCKER	6	6	-	-	-	-	-	-	-	-	-	-	-	-	-	-	-	-
27	99564	FLAT WASHER MS FOUR HANDRM MAG	12	12	8	8	8	8	-	-	-	-	-	-	-	-	-	-	-	-
28	90989	M5 LOW NYLON LOCK	-	-	-	-	-	-	-	-	-	-	-	-	6	6	6	6	6	6
29	21500	REAR WHEEL LOCKNUT INSERT - ASSEMBLY	-	-	-	-	-	-	6	6	6	6	6	6	-	-	-	-	-	-
30	99015	SCREW PHILLIPS #10-32 X 2" HANDRM MAG + BLUE THREADLOCKER	-	-	4	4	4	4	-	-	-	-	-	-	-	-	-	-	-	-
31	90746	SOCKET CAP SCREW M5X0.8 X 15mm LONG, FULLY THREADED + BLUE TREADLOCKER - BLACK ZINC	-	-	-	-	-	-	6	6	6	6	6	6	-	-	-	-	-	-
32	90744	SOCKET CAP SCREW M5X0.8 X 12mm LONG, FULLY THREADED + BLUE TREADLOCKER - BLACK ZINC	-	-	-	-	-	-	-	-	-	-	-	-	6	6	6	6	6	6



MAKE SURE TO HAVE YOUR SERIAL NUMBER NEARBY WHEN ORDERING PARTS FOR YOUR MOTION COMPOSITES WHEELCHAIR

**Quick Order Catalogue
Wheel Lock Pair Assembly**

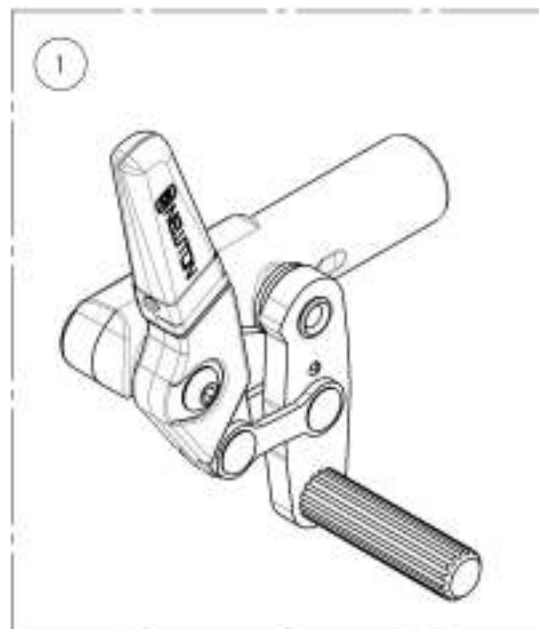
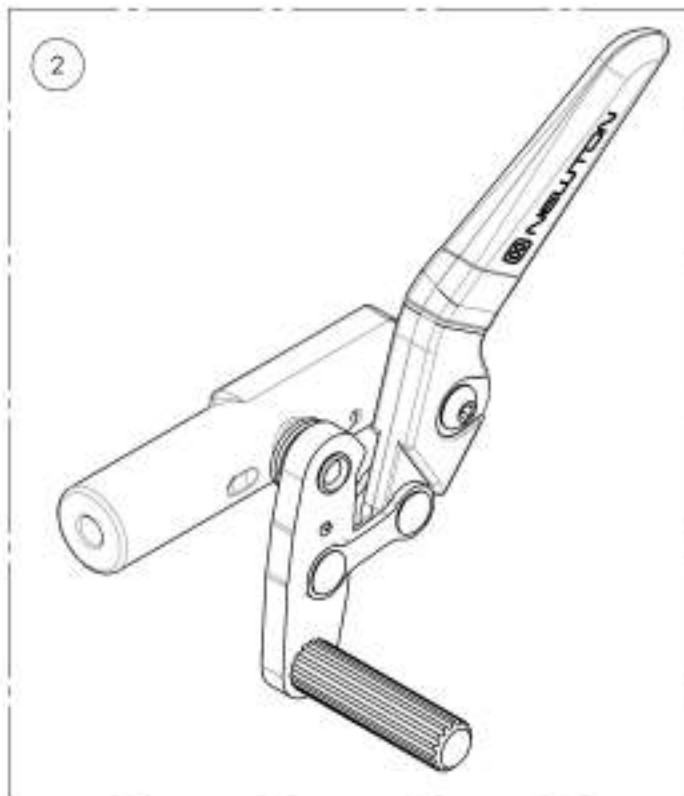
ITEM NO.	PARTNO	DESCRIPTION	QTY.
1	9003022	Wheel Lock - Newton Spring Loaded Push to Lock (Pair)	1
2	9003023	Wheel Lock - Newton Spring Loaded Push to Lock, 6 in Removable Extension Handle (Pair)	1
3	9002249	Wheel Lock - Newton Grade Aid, Push to Lock (Pair)	1
4	9003024	Wheel Lock - Newton Grade Aid, Push to Lock, 6 in Removable Extension Handle (Pair)	1
5	9001577	Wheel Lock - Pull to Lock (Pair)	1
6	9001579	Wheel Lock - Pull to Lock, 6 in Removable Extension Handle (Pair)	1
7	9002248	Wheel Lock - Scissor (Pair)	1



MAKE SURE TO HAVE YOUR SERIAL NUMBER
NEARBY WHEN ORDERING PARTS FOR YOUR
MOTION COMPOSITES WHEELCHAIR

9003022
Wheel Lock - Newton Spring Loaded Push to Lock (Pair)

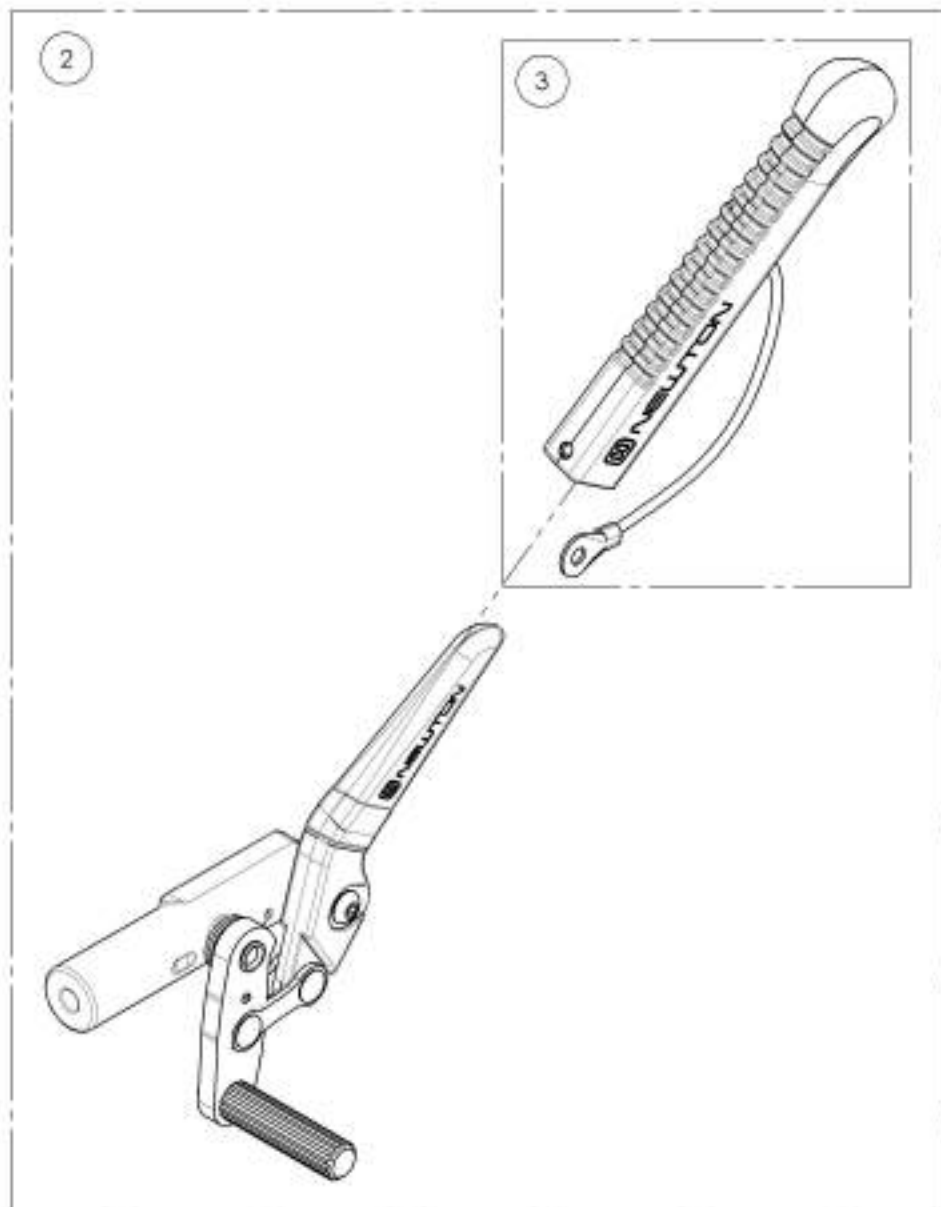
ITEM NO.	PARTNO	DESCRIPTION	9003022 QTY.
1	41056	NEWTON PUSH SPRING WHEEL LOCK, LEFT - ASSY	1
2	41057	NEWTON PUSH SPRING WHEEL LOCK, RIGHT - ASSY	1



MAKE SURE TO HAVE YOUR SERIAL NUMBER
NEARBY WHEN ORDERING PARTS FOR YOUR
MOTION COMPOSITES WHEELCHAIR

9003023
Wheel Lock - Newton Spring Loaded Push to Lock,
6 in Removable Extension Handle (Pair)

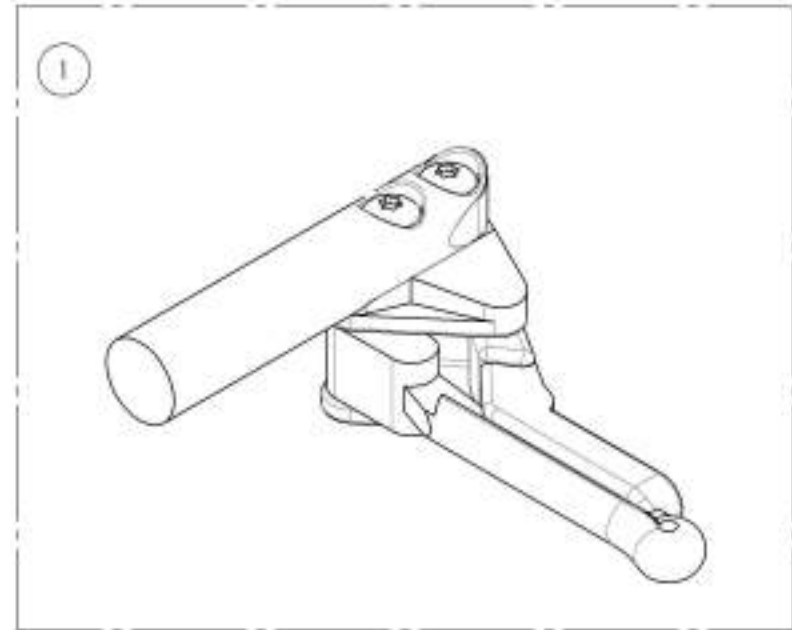
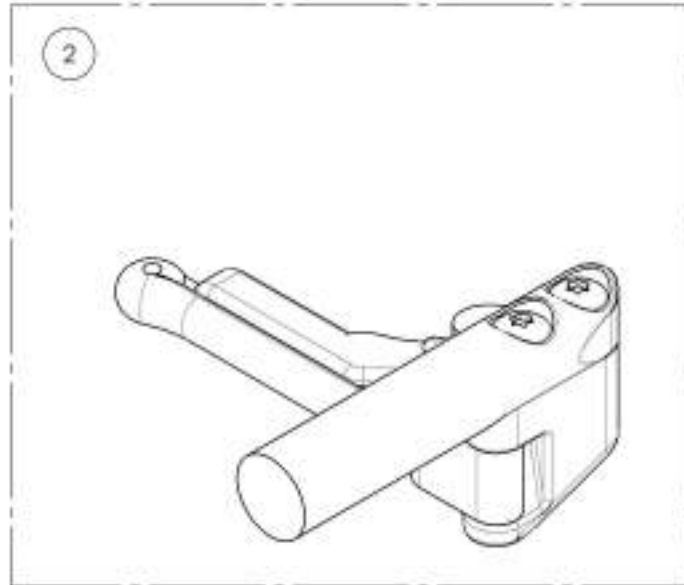
ITEM NO.	PARTNO	DESCRIPTION	9003023 /QTY.	REPLACEMENT PARTS/QTY.
1	41051	NEWTON PUSH SPRING WHEEL LOCK + EXTENSION, LEFT - ASSY	1	-
2	41052	NEWTON PUSH SPRING WHEEL LOCK + EXTENSION, RIGHT - ASSY	1	-
3	41500	NEWTON REMOVABLE EXTENSION HANDLE - ASSEMBLY	-	1



MAKE SURE TO HAVE YOUR SERIAL NUMBER
 NEARBY WHEN ORDERING PARTS FOR YOUR
 MOTION COMPOSITES WHEELCHAIR

9002268
Wheel Lock - Scissor (Pair)

ITEM NO.	PART NO.	DESCRIPTION	9002268 QTY.
1	41 038	OUT-FRONT SCISSOR WHEEL LOCK, LEFT	1
2	41 039	OUT-FRONT SCISSOR WHEEL LOCK, RIGHT	1

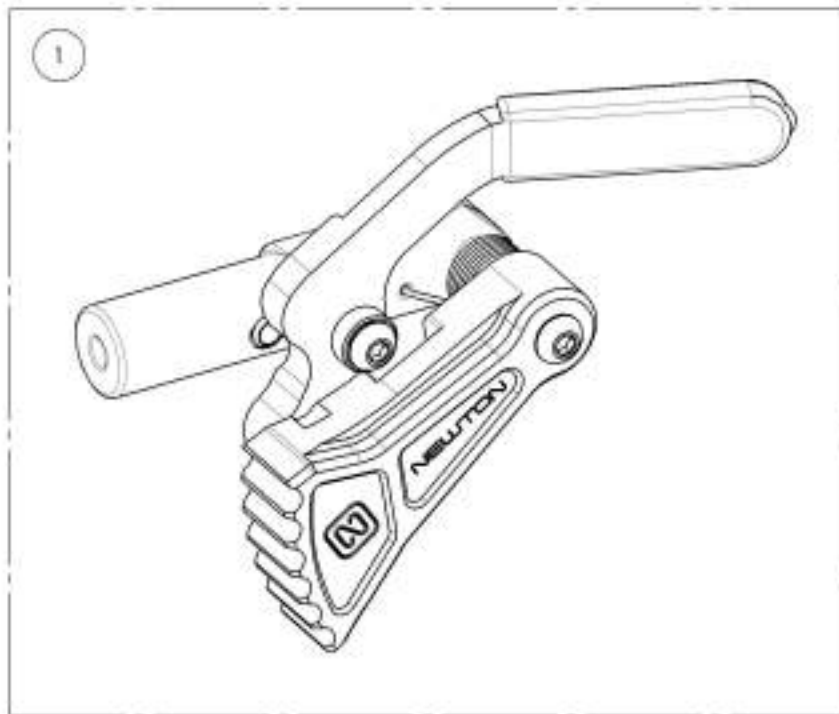


MAKE SURE TO HAVE YOUR SERIAL NUMBER
NEARBY WHEN ORDERING PARTS FOR YOUR
MOTION COMPOSITES WHEELCHAIR

9002269

Wheel Lock - Newton Grade Aid, Push to Lock (Pair)

ITEM NO.	PARTNO	DESCRIPTION	9002269 QTY.
1	41035	GRADE AID WHEEL LOCK, RIGHT - ASSY	1
2	41036	GRADE AID WHEEL LOCK, LEFT - ASSY	1

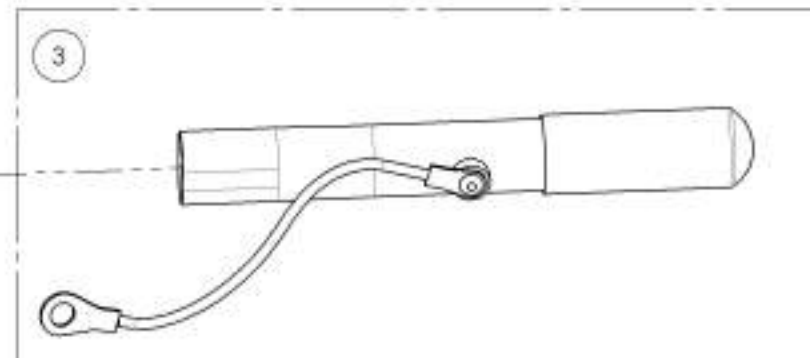
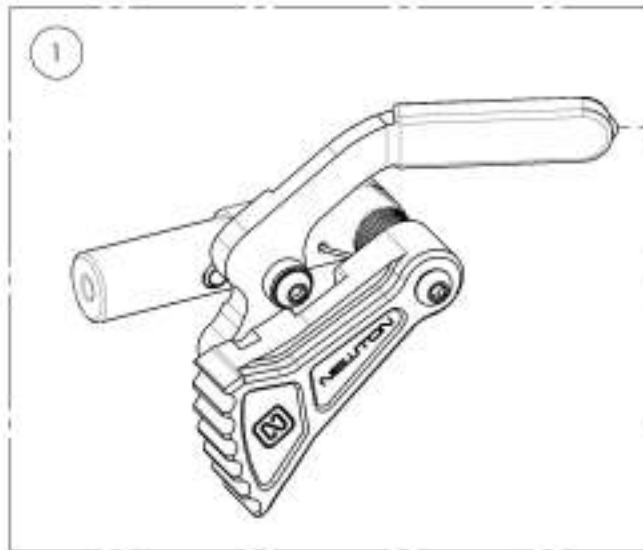
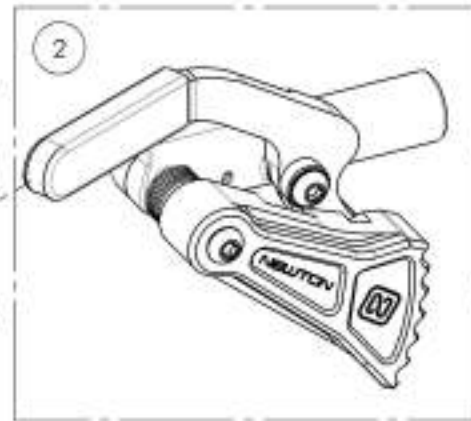
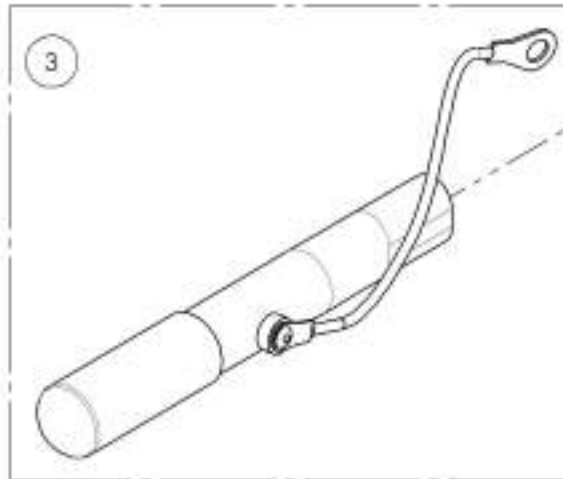


MAKE SURE TO HAVE YOUR SERIAL NUMBER
NEARBY WHEN ORDERING PARTS FOR YOUR
MOTION COMPOSITES WHEELCHAIR

9003024

Wheel Lock - Newton Grade Aid, Push to Lock, 6 in Removable Extension Handle (Pair)

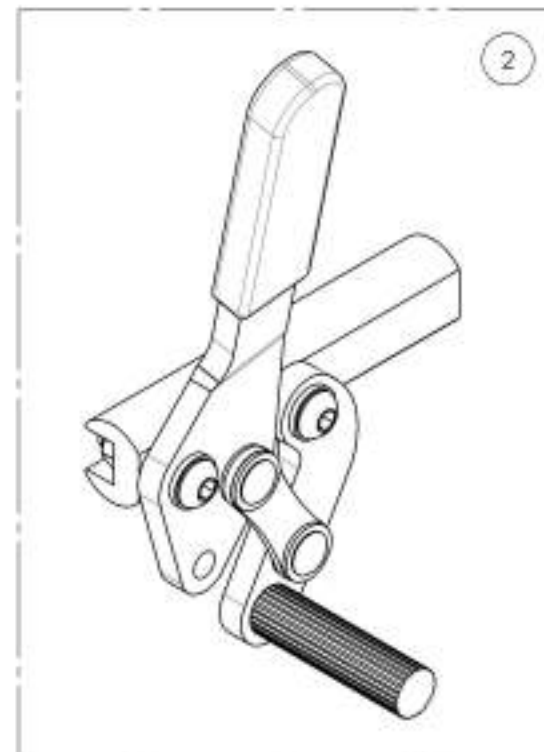
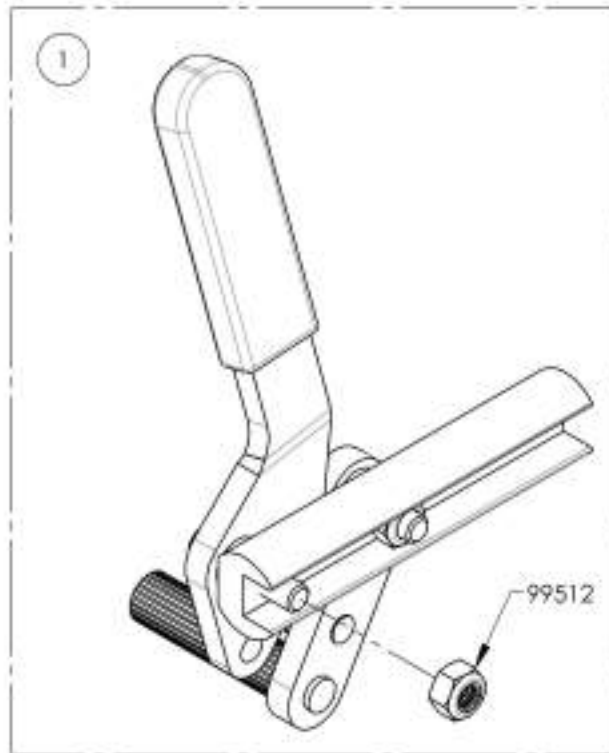
ITEM NO.	PARTNO	DESCRIPTION	9003024 QTY.
1	41035	GRADE AID WHEEL LOCK, RIGHT - ASSY	1
2	41036	GRADE AID WHEEL LOCK, LEFT - ASSY	1
3	41005	REMOVABLE EXTENSION HANDLE	2



MAKE SURE TO HAVE YOUR SERIAL NUMBER NEARBY WHEN ORDERING PARTS FOR YOUR MOTION COMPOSITES WHEELCHAIR

9001577
Wheel Lock - Pull to Lock (Pair)

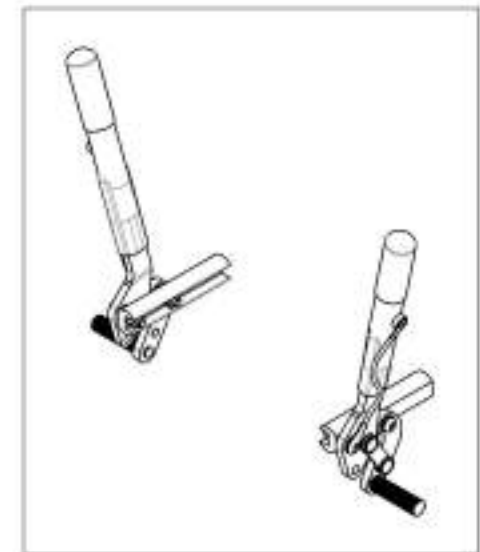
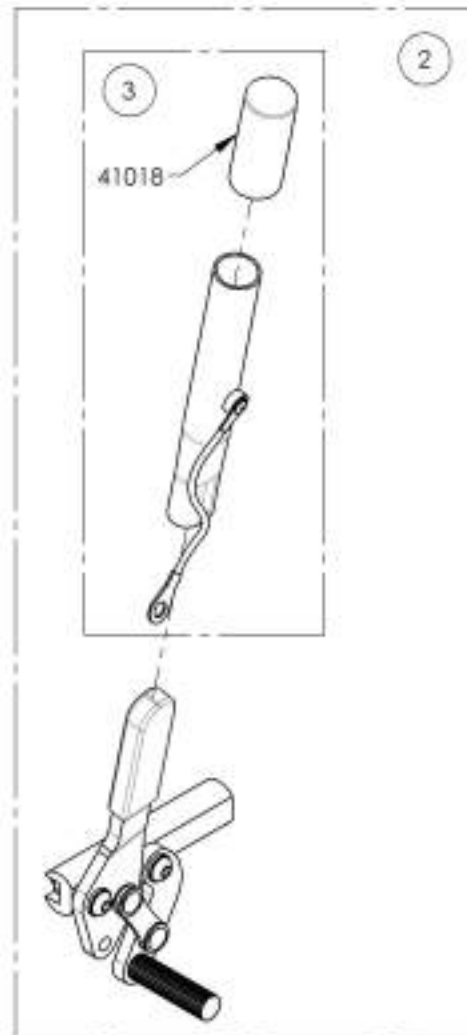
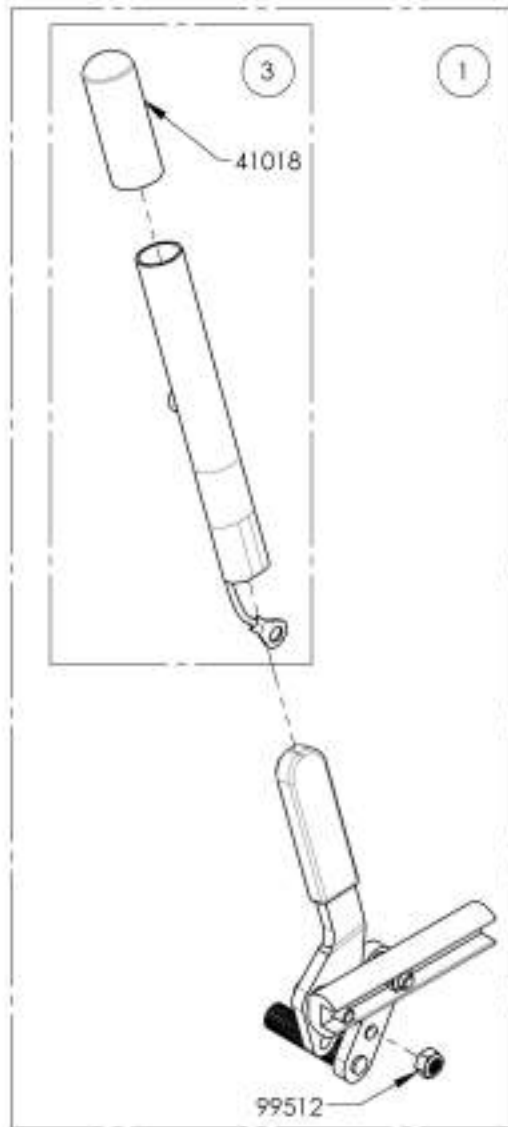
ITEM NO.	PARTNO	DESCRIPTION	9001577 QTY.
1	41078	PULL TO LOCK WHEEL LOCK, RIGHT	1
2	41079	PULL TO LOCK WHEEL LOCK, LEFT	1



MAKE SURE TO HAVE YOUR SERIAL NUMBER
NEARBY WHEN ORDERING PARTS FOR YOUR
MOTION COMPOSITES WHEELCHAIR

9001579**Wheel Lock - Pull to Lock, 6 in Removable Extension Handle (Pair)**

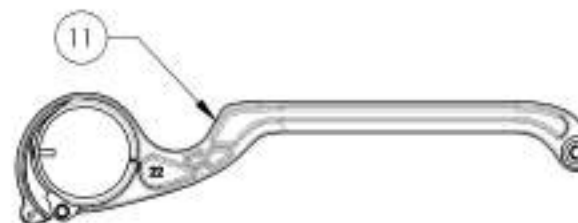
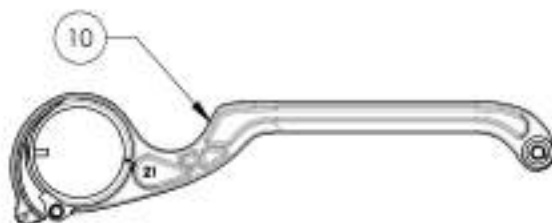
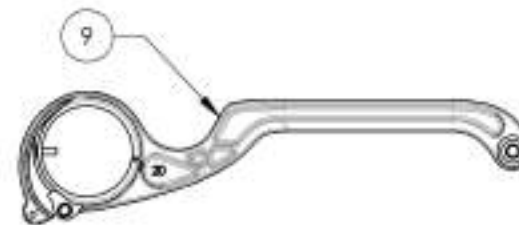
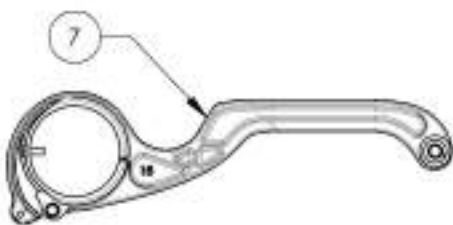
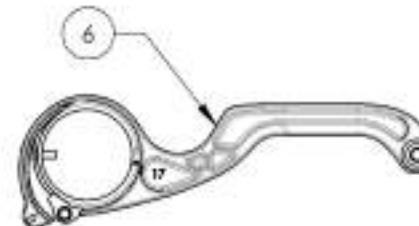
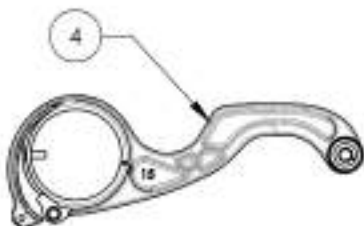
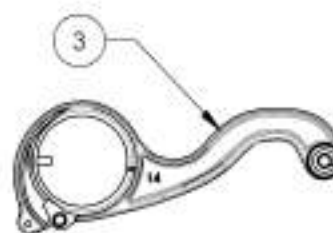
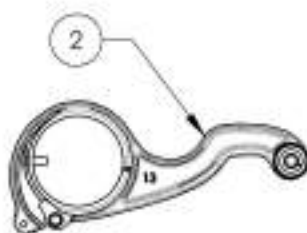
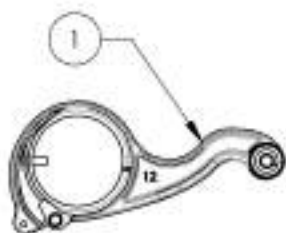
ITEM NO.	PARTNO	DESCRIPTION	9001579 /QTY.	REPLACEMENT PARTS/QTY.
1	41080	PULL TO LOCK WHEEL LOCK + HANDLE, RIGHT	1	-
2	41081	PULL TO LOCK WHEEL LOCK + HANDLE, LEFT	1	-
3	41005	REMOVABLE EXTENSION HANDLE	-	1



MAKE SURE TO HAVE YOUR SERIAL NUMBER
NEARBY WHEN ORDERING PARTS FOR YOUR
MOTION COMPOSITES WHEELCHAIR

**Quick Order Catalogue
Link & Hardware**

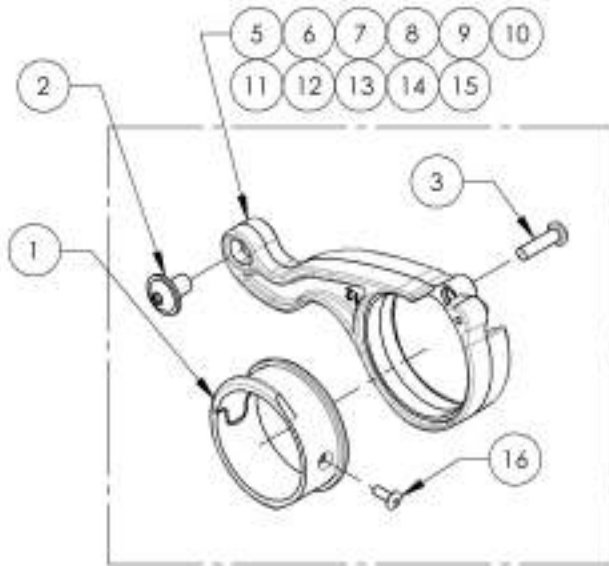
ITEM NO.	PART NO.	DESCRIPTION	QTY.
1	9002150	Link - 12 in + Hardware	1
2	9002151	Link - 13 in + Hardware	1
3	9002152	Link - 14 in + Hardware	1
4	9002153	Link - 15 in + Hardware	1
5	9002154	Link - 16 in + Hardware	1
6	9002155	Link - 17 in + Hardware	1
7	9002156	Link - 18 in + Hardware	1
8	9002157	Link - 19 in + Hardware	1
9	9002158	Link - 20 in + Hardware	1
10	9002159	Link - 21 in + Hardware	1
11	9002160	Link - 22 in + Hardware	1



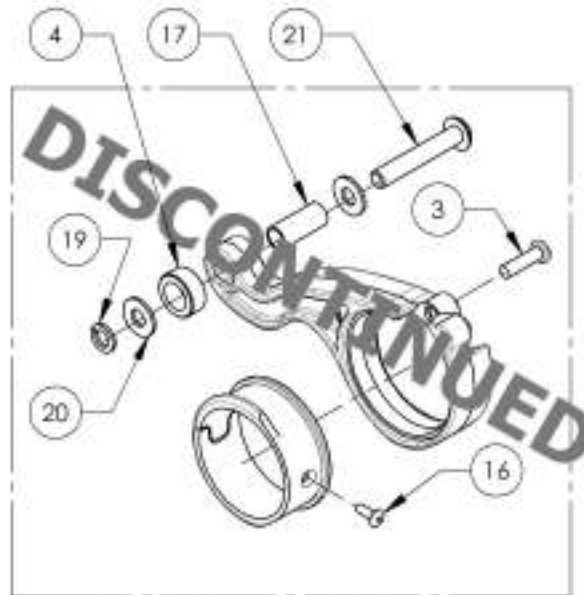
MAKE SURE TO HAVE YOUR SERIAL NUMBER
NEARBY WHEN ORDERING PARTS FOR YOUR
MOTION COMPOSITES WHEELCHAIR

9002150_9002160
Link + Hardware

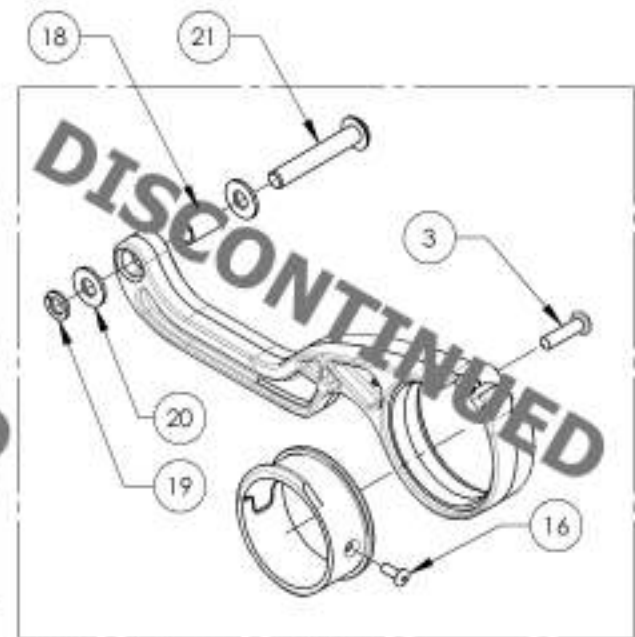
ITEM NO.	PARTNO	DESCRIPTION	9002150 /QTY.	9002151 /QTY.	9002152 /QTY.	9002153 /QTY.	9002154 /QTY.	9002155 /QTY.	9002156 /QTY.	9002157 /QTY.	9002158 /QTY.	9002159 /QTY.	9002160 /QTY.
1	12140	LINK GUIDE	1	1	1	1	1	1	1	1	1	1	1
2	91009	FLANGE BUTION HEAD CAP SCREW, MSX.8 X 8mm	1	1	1	1	1	1	1	1	1	1	1
3	99000	SCREW PHILLIPS PAN HD #6-32 X 1/2.	1	1	1	1	1	1	1	1	1	1	1
4	22028	CASTER SPACER SMALL	1	1	1	1	1	-	-	-	-	-	-
5	12152	12in A7_C2 LINK	1	-	-	-	-	-	-	-	-	-	-
6	12153	13in A7_C2 LINK	-	1	-	-	-	-	-	-	-	-	-
7	12154	14in A7_C2 LINK	-	-	1	-	-	-	-	-	-	-	-
8	12155	15in A7_C2 LINK	-	-	-	1	-	-	-	-	-	-	-
9	12156	16in A7_C2 LINK	-	-	-	-	1	-	-	-	-	-	-
10	12157	17in A7_C2 LINK	-	-	-	-	-	1	-	-	-	-	-
11	12158	18in A7_C2 LINK	-	-	-	-	-	-	1	-	-	-	-
12	12159	19in A7_C2 LINK	-	-	-	-	-	-	-	1	-	-	-
13	12160	20in A7_C2 LINK	-	-	-	-	-	-	-	-	1	-	-
14	12161	21in A7_C2 LINK	-	-	-	-	-	-	-	-	-	1	-
15	12162	22in A7_C2 LINK	-	-	-	-	-	-	-	-	-	-	1
16	99660	POP RIVET 3_32 D X .365 L X .126_250	1	1	1	1	1	1	1	1	1	1	1
17	99605	SPACER M5 BOLT, 16MM LG, 0.7MM WALL THK	1	1	1	1	1	-	-	-	-	-	-
18	99600	SPACER M5 BOLT, 10MM LG, 0.7MM WALL THK	-	-	-	-	-	1	1	1	1	1	1
19	99598	LOCKWASHER #10 (.062 WIDE X .047 THK)	1	1	1	1	1	1	1	1	1	1	1
20	99550	WASHER #10 .200 ID X .7_16 OD X .037 THK - BLACK ZINC	2	2	2	2	2	2	2	2	2	2	2
21	90651	BUTTON HEAD CAP SCREW M5X0.8 X 30mm LONG, FULLY THREADED	1	1	1	1	1	1	1	1	1	1	1



ACTUAL ASSEMBLY



PREVIOUS ASSEMBLY (12" TO 16")

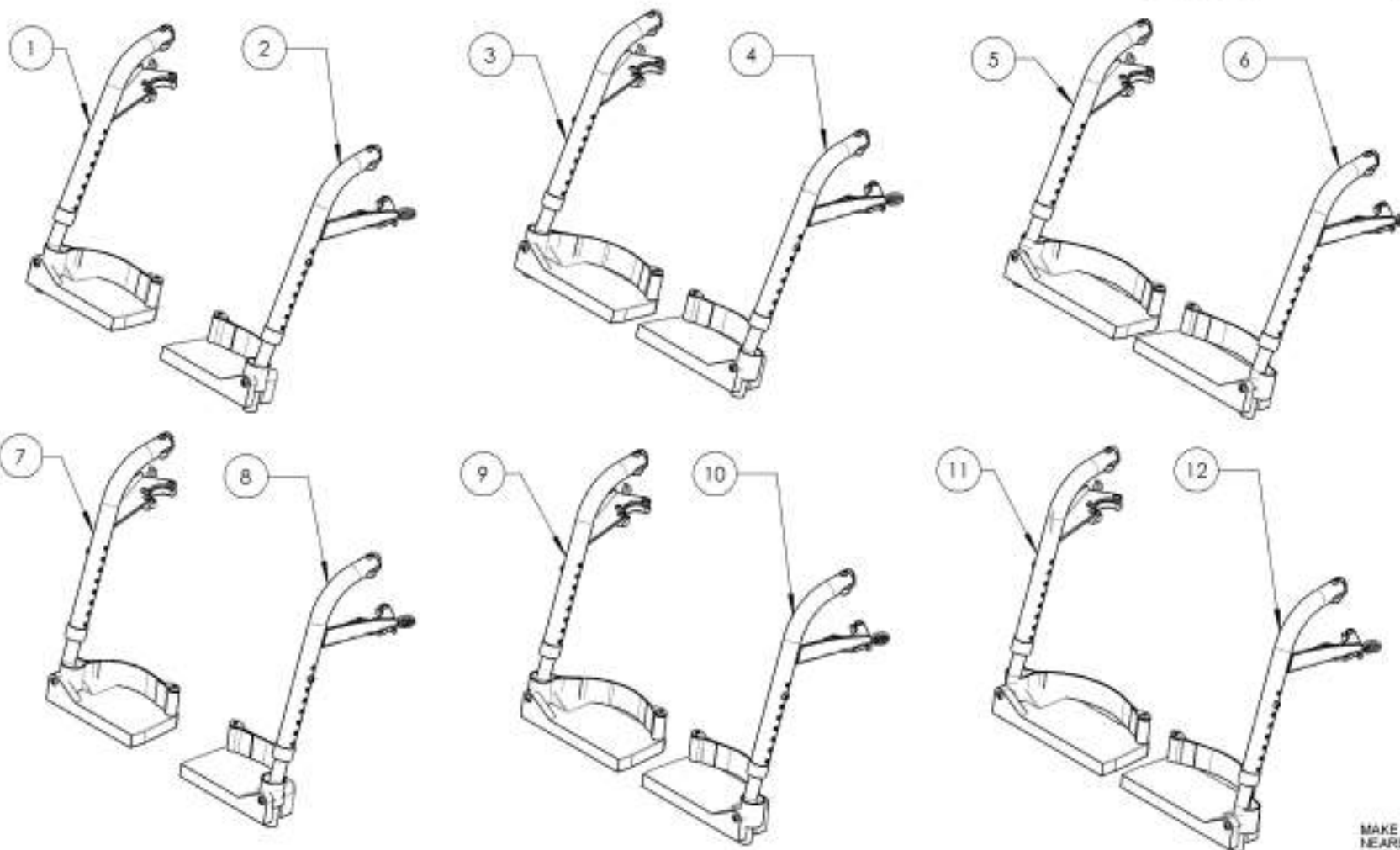


PREVIOUS ASSEMBLY (17" TO 22")

MAKE SURE TO HAVE YOUR SERIAL NUMBER
 NEARBY WHEN ORDERING PARTS FOR YOUR
 MOTION COMPOSITES WHEELCHAIR

Quick Order Catalogue
Footrest - Swing-Out + Short Ext. & Footplate

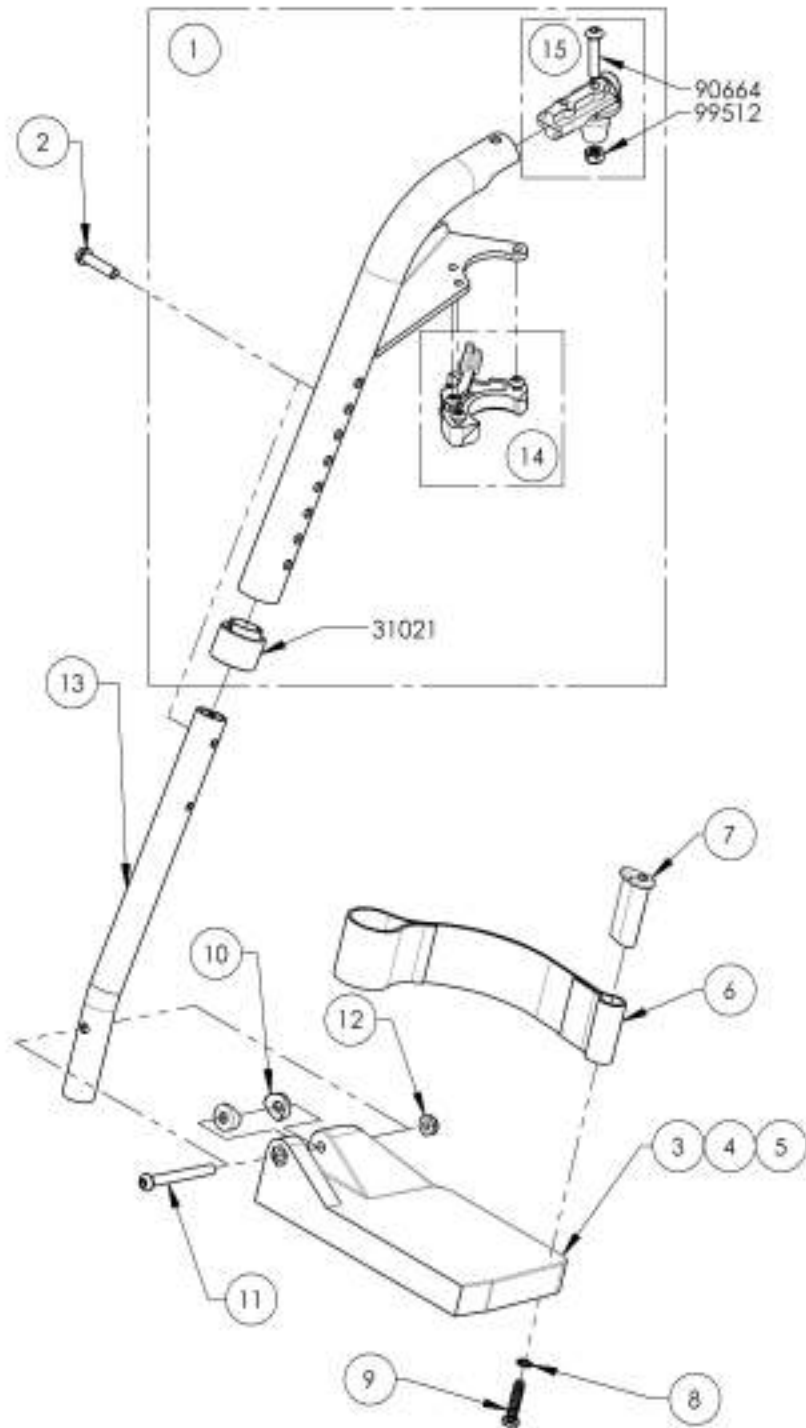
ITEM NO.	PARTNO	DESCRIPTION	QTY
1	9002446	Footrest - Swing-Out, Right, 60° + Short Ext. & Footplate (Width: 14 to 16 in)	1
2	9002449	Footrest - Swing-Out, Left, 60° + Short Ext. & Footplate (Width: 14 to 16 in)	1
3	9002447	Footrest - Swing-Out, Right, 60° + Short Ext. & Footplate (Width: 17 to 18 in)	1
4	9002450	Footrest - Swing-Out, Left, 60° + Short Ext. & Footplate (Width: 17 to 18 in)	1
5	9002448	Footrest - Swing-Out, Right, 60° + Short Ext. & Footplate (Width: 19 in +)	1
6	9002451	Footrest - Swing-Out, Left, 60° + Short Ext. & Footplate (Width: 19 in +)	1
7	9002452	Footrest - Swing-Out, Right, 70° + Short Ext. & Footplate (Width: 14 to 16 in)	1
8	9002453	Footrest - Swing-Out, Left, 70° + Short Ext. & Footplate (Width: 14 to 16 in)	1
9	9002453	Footrest - Swing-Out, Right, 70° + Short Ext. & Footplate (Width: 17 to 18 in)	1
10	9002454	Footrest - Swing-Out, Left, 70° + Short Ext. & Footplate (Width: 17 to 18 in)	1
11	9002454	Footrest - Swing-Out, Right, 70° + Short Ext. & Footplate (Width: 19 in +)	1
12	9002457	Footrest - Swing-Out, Left, 70° + Short Ext. & Footplate (Width: 19 in +)	1



MAKE SURE TO HAVE YOUR SERIAL NUMBER
 NEARBY WHEN ORDERING PARTS FOR YOUR
 MOTION COMPOSITES WHEELCHAIR

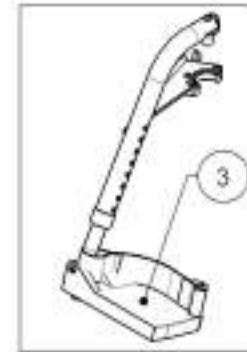
9002446_9002448

Footrest - Swing-Out, Right, 60° + Short Ext. & Footplate



ITEM NO.	PARTNO	DESCRIPTION	9002446 /QTY.	9002447 /QTY.	9002448 /QTY.	REPLACEMENT PARTS/QTY.
1	31500	C1 60 DEG LEGREST RIGHT - ASSEMBLY	1	1	1	-
2	91042	BUTTON HEAD SHOULDER M6X1X25 + BLUE THREADLOCKER	1	1	1	-
3	31275	COMPOSITE FOOTPLATE 6 x 4 in. RIGHT (WHEELCHAIR WIDTH: 14-16 in)	1	-	-	-
4	31277	COMPOSITE FOOTPLATE 7 x 4 in. RIGHT (WHEELCHAIR WIDTH: 17-18 in)	-	1	-	-
5	31279	COMPOSITE FOOTPLATE 8 x 4 in. RIGHT (WHEELCHAIR WIDTH: 19 in +)	-	-	1	-
6	31045	ADJUSTABLE HEEL LOOP	1	1	1	-
7	31016	HEEL LOOP PIN (M)	1	1	1	-
8	99509	COLLAR LOCKWASHER 1_4	1	1	1	-
9	91024	LOW PROFIL CAP SCREW M6 X 2.54 X 25mm	1	1	1	-
10	31062	COVER WASHER 1_4 x 3_4	2	2	2	-
11	90670	BUTTON HEAD CAP SCREW M6X1 X 58mm LONG, 24mm THREADED	1	1	1	-
12	99510	THR HEX LOCKNUT 1/4-20	1	1	1	-
13	31020	FOOTREST EXTENSION SHORT	1	1	1	-
14	31520	C1 HANGER LATCH + TRIGGER RIGHT SPARE PARTS KIT	-	-	-	1
15	31501	V2 FOOTREST PIVOT - ASSEMBLY	-	-	-	1

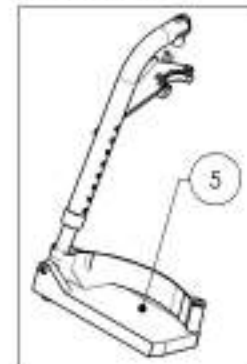
9002446
Footrest - Swing-Out, Right, 60° + Short Ext. & Footplate (Width: 14 to 16 in)



9002447
Footrest - Swing-Out, Right, 60° + Short Ext. & Footplate (Width: 17 to 18 in)



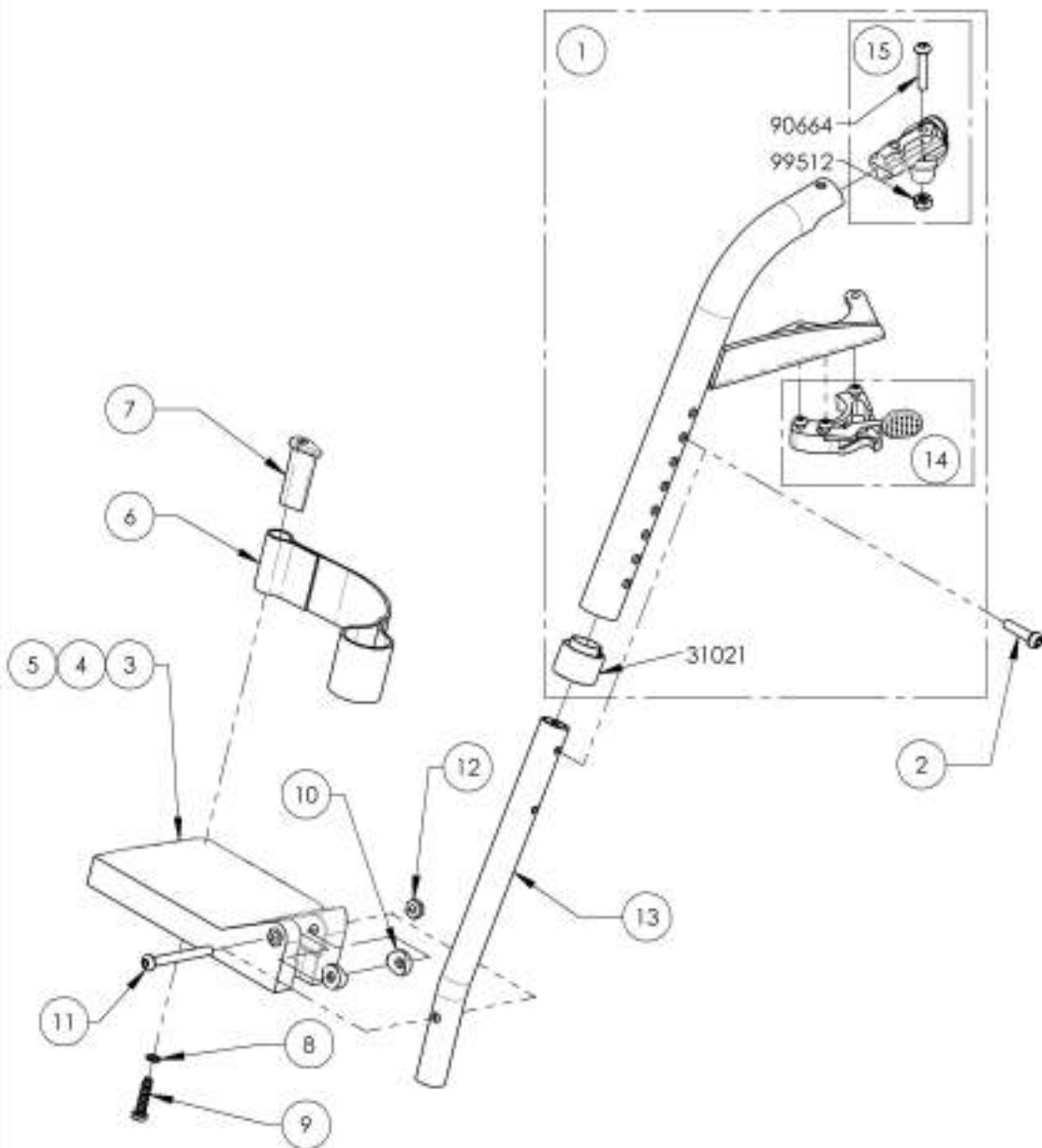
9002448 -
Footrest - Swing-Out, Right, 60° + Short Ext. & Footplate (Width: 19 in +)



MAKE SURE TO HAVE YOUR SERIAL NUMBER NEARBY WHEN ORDERING PARTS FOR YOUR MOTION COMPOSITES WHEELCHAIR

9002449_9002451

Footrest - Swing-Out, Left, 60° + Short Ext. & Footplate



ITEM NO.	PART NO	DESCRIPTION	9002449 /QTY.	9002450 /QTY.	9002451 /QTY.	REPLACEMENT PARTS/QTY.
1	31501	C1 60 DEG LEGREST LEFT - ASSEMBLY	1	1	1	-
2	91042	BUTTON HEAD SHOULDER W6X12S + BLUE T-THREADLOCKER	1	1	1	-
3	31276	COMPOSITE FOOTPLATE 6 x 4 in, LEFT (WHEELCHAIR WIDTH: 14 -16 in)	1	-	-	-
4	31278	COMPOSITE FOOTPLATE 7 x 4 in, LEFT (WHEELCHAIR WIDTH: 17-18 in)	-	1	-	-
5	31280	COMPOSITE FOOTPLATE 8 x 4 in, LEFT (WHEELCHAIR WIDTH: 19 in +)	-	-	1	-
6	31045	ADJUSTABLE HEEL LOOP	1	1	1	-
7	31016	HEEL LOOP PIN (M)	1	1	1	-
8	99559	COLLAR LOCKWASHER 1_4	1	1	1	-
9	91024	LOW PROFIL CAP SCREW M6 X 2.54 X 25mm	1	1	1	-
10	31052	COVED WASHER 1_4 x 3_4	2	2	2	-
11	90670	BUTTON HEAD CAP SCREW M6X1 X 58mm LONG, 2mm THREADED	1	1	1	-
12	99510	THIN HEX LOCKNUT 1/4-20	1	1	1	-
13	31020	FOOTREST EXTENSION SHORT	1	1	1	-
14	31519	C1 HANGER LATCH + TRIGGER LEFT SPARE PARTS KIT	-	-	-	1
15	31551	V2 FOOTREST PIVOT - ASSEMBLY	-	-	-	1

9002449
Footrest - Swing-Out, Left,
60° + Short Ext. & Footplate
(Width: 14 to 16 in)



9002450
Footrest - Swing-Out, Left,
60° + Short Ext. & Footplate
(Width: 17 to 18 in)



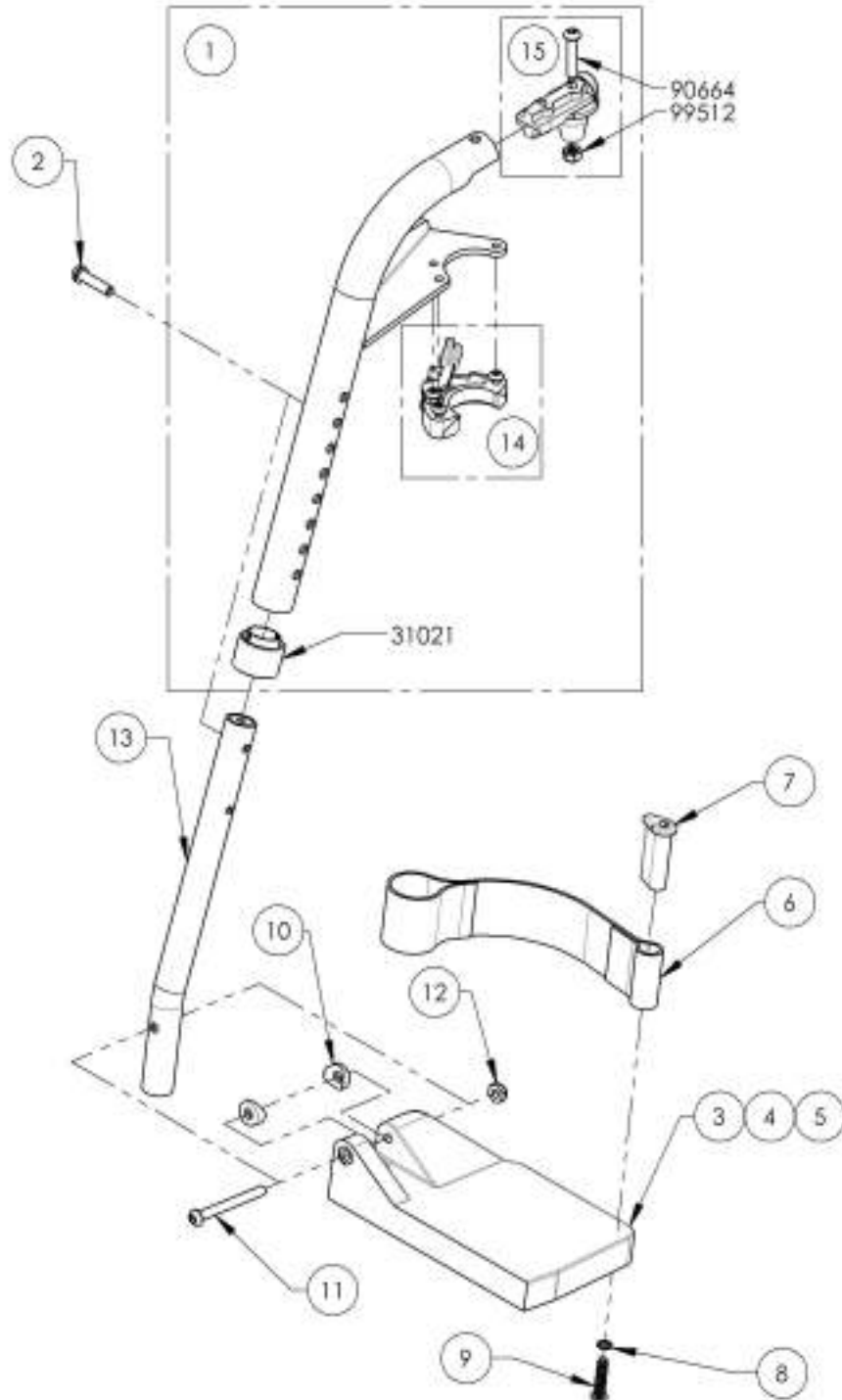
9002451
Footrest - Swing-Out, Left,
60° + Short Ext. & Footplate
(Width: 19 in +)



MAKE SURE TO HAVE YOUR SERIAL NUMBER NEARBY WHEN ORDERING PARTS FOR YOUR MOTION COMPOSITES WHEELCHAIR

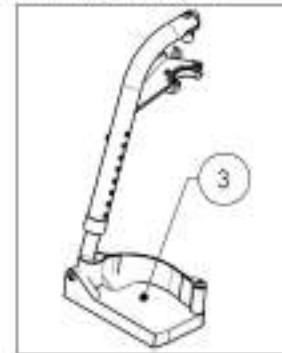
9002452_9002454

Footrest - Swing-Out, Right, 70° + Short Ext. & Footplate



ITEM NO.	PARTNO	DESCRIPTION	9002452 /QTY.	9002453 /QTY.	9002454 /QTY.	REPLACEMENT PARTS/QTY.
1	31502	C1 70 DEG LEGREST RIGHT - ASSEMBLY	1	1	1	-
2	91042	BUTTON HEAD SHOULDER MAX1 X25 + BLUE THREADLOCKER	1	1	1	-
3	31275	COMPOSITE FOOTPLATE 6 x 4 in. RIGHT (WHEELCHAIR WIDTH: 14-16 in)	1	1	-	-
4	31277	COMPOSITE FOOTPLATE 7 x 4 in. RIGHT (WHEELCHAIR WIDTH: 17-18 in)	-	1	-	-
5	31279	COMPOSITE FOOTPLATE 8 x 4 in. RIGHT (WHEELCHAIR WIDTH: 19 in +)	-	-	1	-
6	31045	ADJUSTABLE HEEL LOOP	1	1	1	-
7	31016	HEEL LOOP PIN (M)	1	1	1	-
8	99509	COLLAR LOCKWASHER 1_4	1	1	1	-
9	91024	LOW PROFIL CAP SCREW M6 X 2.54 X 25mm	1	1	1	-
10	31062	COVED WASHER 1_4 x 3_4	2	2	2	-
11	90670	BUTTON HEAD CAP SCREW MAX1 X 58mm LONG, 24mm THREADED	1	1	1	-
12	99510	TRN HEX LOCKNUT 1/4-20	1	1	1	-
13	31020	FOOTREST EXTENSION SHORT	1	1	1	-
14	31520	C1 HANGER LATCH + TRIGGER RIGHT SPARE PARTS KIT	-	-	-	1
15	31501	V2 FOOTREST PIVOT - ASSEMBLY	-	-	-	1

9002452
Footrest - Swing-Out, Right,
70° + Short Ext. & Footplate
(Width: 14 to 16 in)



9002454
Footrest - Swing-Out, Right,
70° + Short Ext. & Footplate
(Width: 19 in +)



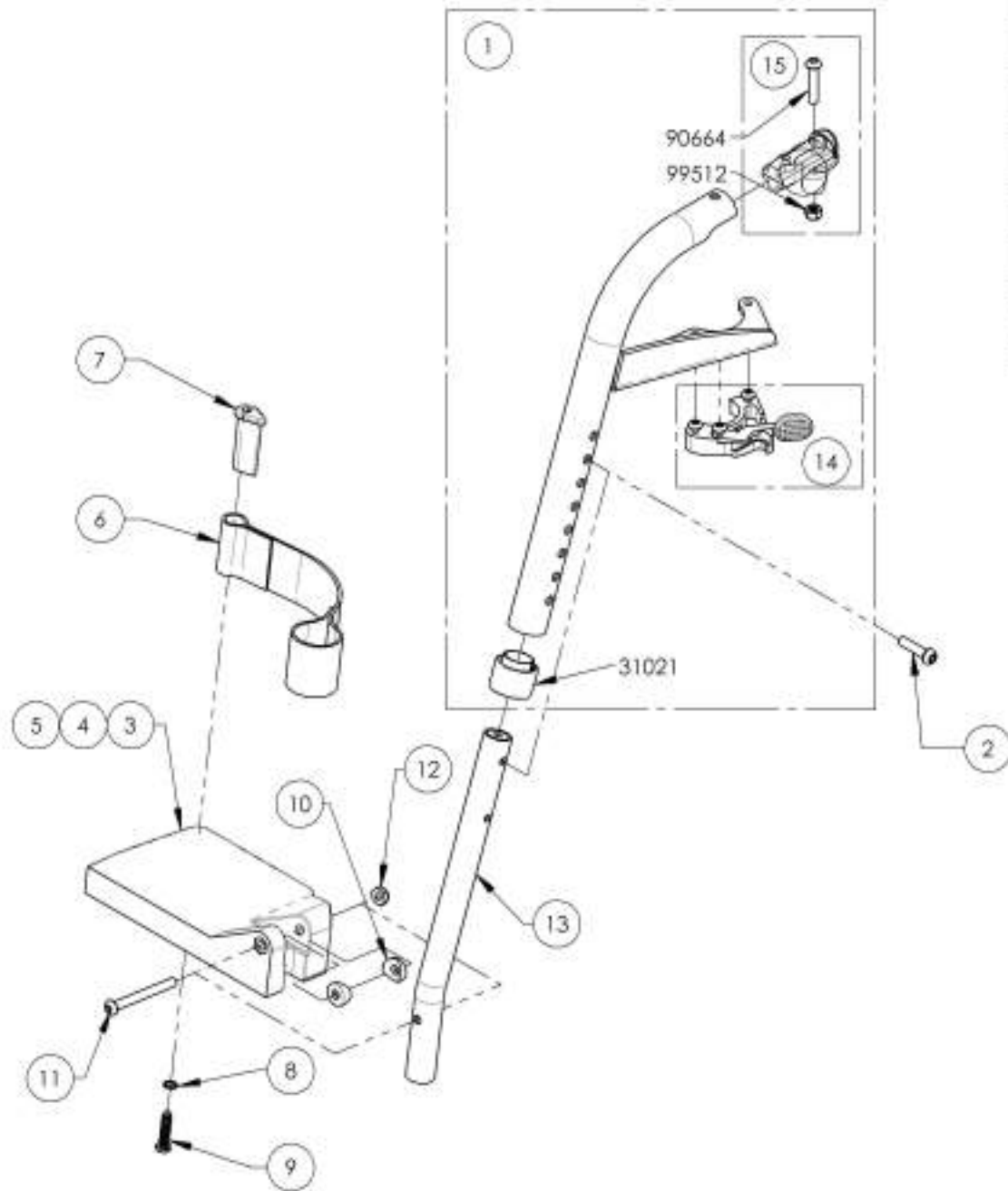
9002453
Footrest - Swing-Out, Right,
70° + Short Ext. & Footplate
(Width: 17 to 18 in)



MAKE SURE TO HAVE YOUR SERIAL NUMBER NEARBY WHEN ORDERING PARTS FOR YOUR MOTION COMPOSITES WHEELCHAIR

9002455_9002457

Footrest - Swing-Out, Left, 70° + Short Ext. & Footplate



ITEM NO.	PARTNO	DESCRIPTION	9002455 /QTY.	9002456 /QTY.	9002457 /QTY.	REPLACEMENT PARTS/QTY.
1	31503	C1 70 DEG LEGREST LEFT - ASSEMBLY	1	1	1	-
2	91042	BUTTON-HEAD SHOULDER MAX 1025 + BLUE THREADLOCKER	1	1	1	-
3	31276	COMPOSITE FOOTPLATE 6 x 4 in, LEFT (WHEELCHAIR WIDTH: 14-16 in)	1	-	-	-
4	31278	COMPOSITE FOOTPLATE 7 x 4 in, LEFT (WHEELCHAIR WIDTH: 17-18 in)	-	1	-	-
5	31280	COMPOSITE FOOTPLATE 8 x 4 in, LEFT (WHEELCHAIR WIDTH: 19 in +)	-	-	1	-
6	31045	ADJUSTABLE HEEL LOOP	1	1	1	-
7	31016	HEEL LOOP PIN (M)	1	1	1	-
8	99509	COLLAR LOCKWASHER 1_4	1	1	1	-
9	91024	LOW PROFIL CAP SCREW M6 X 2.54 X 25mm	1	1	1	-
10	31052	COVER WASHER 1_4 x 3_4	2	2	2	-
11	90670	BUTTON-HEAD CAP SCREW MAX 1 X 58mm LONG, 24mm THREADED	1	1	1	-
12	99510	THIN HEX LOCKNUT 1/4-20	1	1	1	-
13	31020	FOOTREST EXTENSION SHORT	1	1	1	-
14	31519	C1 HANGER LATCH + TRIGGER LEFT SPARE PARTS KIT	-	-	-	1
15	31551	V2 FOOTREST PIVOT - ASSEMBLY	-	-	-	1

9002455
Footrest - Swing-Out, Left,
70° + Short Ext. & Footplate
(Width: 14 to 16 in)



9002456
Footrest - Swing-Out, Left,
70° + Short Ext. & Footplate
(Width: 17 to 18 in)



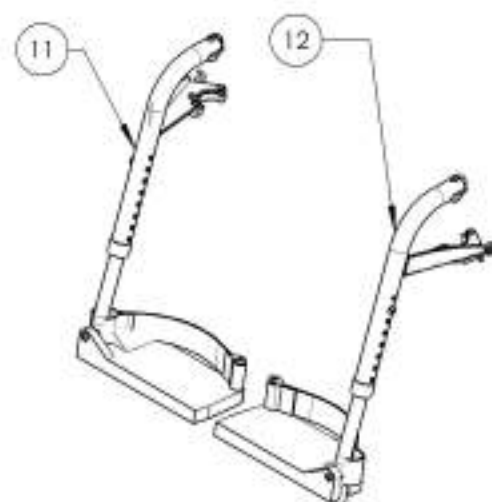
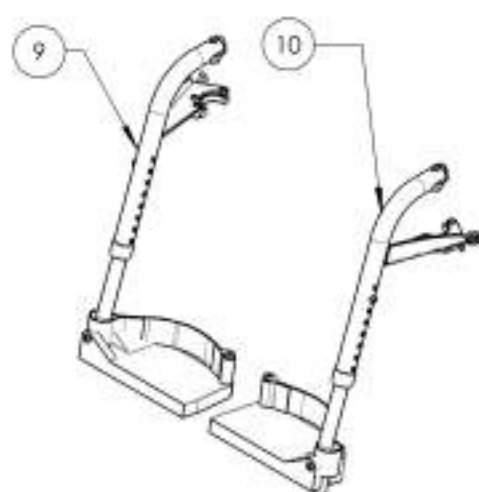
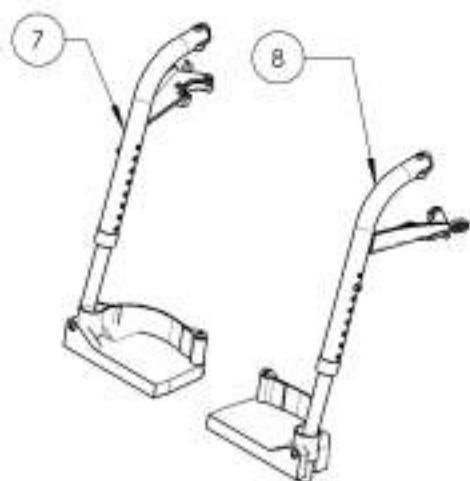
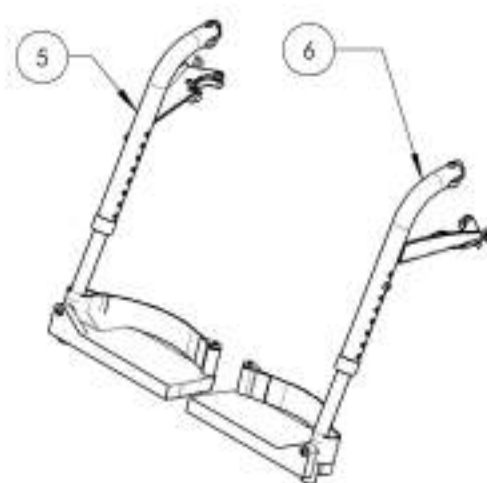
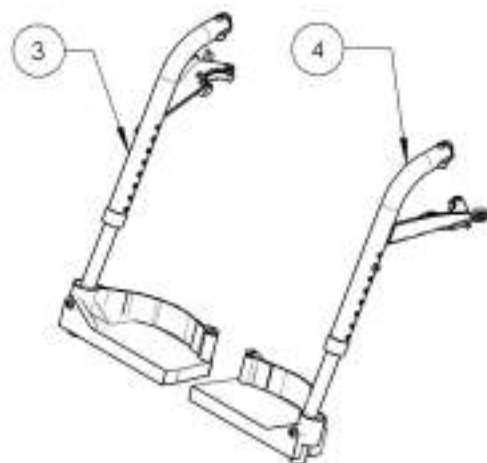
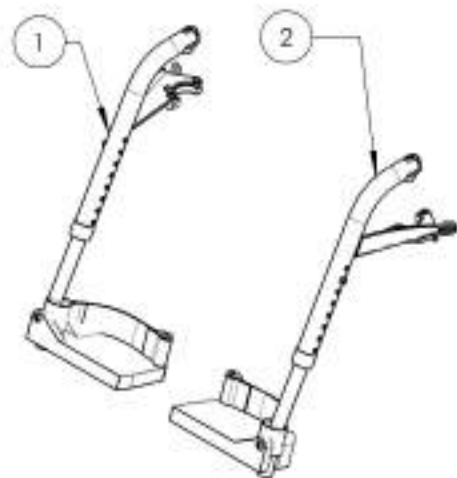
9002457
Footrest - Swing-Out, Left,
70° + Short Ext. & Footplate
(Width: 19 in +)



MAKE SURE TO HAVE YOUR SERIAL NUMBER NEARBY WHEN ORDERING PARTS FOR YOUR MOTION COMPOSITES WHEELCHAIR

Quick Order Catalogue
Footrest - Swing-Out + Long Ext. & Footplate

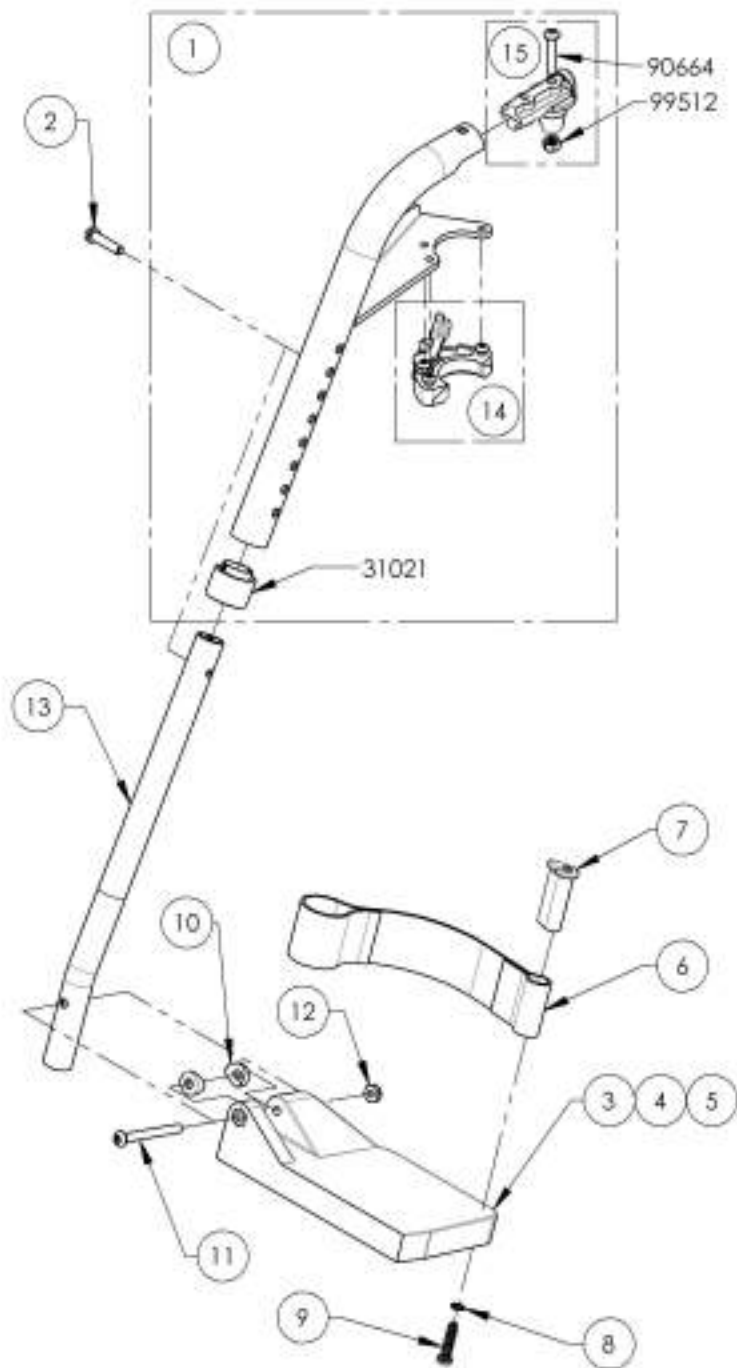
ITEM NO.	PARTNO	DESCRIPTION	QTY
1	9007848	Footrest - Swing-Out, Right, 60° + Long Ext. & Footplate (Width: 14 to 16 in)	1
2	9007851	Footrest - Swing-Out, Left, 60° + Long Ext. & Footplate (Width: 14 to 16 in)	1
3	9007849	Footrest - Swing-Out, Right, 60° + Long Ext. & Footplate (Width: 17 to 18 in)	1
4	9007852	Footrest - Swing-Out, Left, 60° + Long Ext. & Footplate (Width: 17 to 18 in)	1
5	9007850	Footrest - Swing-Out, Right, 60° + Long Ext. & Footplate (Width: 19 in +)	1
6	9007853	Footrest - Swing-Out, Left, 60° + Long Ext. & Footplate (Width: 19 in +)	1
7	9007854	Footrest - Swing-Out, Right, 70° + Long Ext. & Footplate (Width: 14 to 16 in)	1
8	9007857	Footrest - Swing-Out, Left, 70° + Long Ext. & Footplate (Width: 14 to 16 in)	1
9	9007855	Footrest - Swing-Out, Right, 70° + Long Ext. & Footplate (Width: 17 to 18 in)	1
10	9007858	Footrest - Swing-Out, Left, 70° + Long Ext. & Footplate (Width: 17 to 18 in)	1
11	9007856	Footrest - Swing-Out, Right, 70° + Long Ext. & Footplate (Width: 19 in +)	1
12	9007859	Footrest - Swing-Out, Left, 70° + Long Ext. & Footplate (Width: 19 in +)	1



MAKE SURE TO HAVE YOUR SERIAL NUMBER NEARBY WHEN ORDERING PARTS FOR YOUR MOTION COMPOSITES WHEELCHAIR

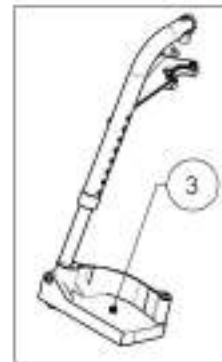
9007848 9007850

Footrest - Swing-Out, Right, 60° + Long Ext. & Footplate

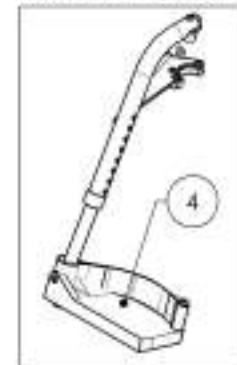


ITEM NO.	PARTNO	DESCRIPTION	9007848 /QTY.	9007849 /QTY.	9007850 /QTY.	REPLACEMENT PARTS/QTY.
1	31500	C1 60 DEG LEGREST RIGHT - ASSEMBLY	1	1	1	-
2	91042	BUTTON HEAD SHOULDER M6X1X25 + BLUE THREADLOCKER	1	1	1	-
3	31275	COMPOSITE FOOTPLATE 6 x 4 in. RIGHT (WHEELCHAIR WIDTH: 14-16 in)	1	-	-	-
4	31277	COMPOSITE FOOTPLATE 7 x 4 in. RIGHT (WHEELCHAIR WIDTH: 17-18 in)	-	1	-	-
5	31279	COMPOSITE FOOTPLATE 8 x 4 in. RIGHT (WHEELCHAIR WIDTH: 19 in +)	-	-	1	-
6	31045	ADJUSTABLE HEEL LOOP	1	1	1	-
7	31016	HEEL LOOP PIN (M)	1	1	1	-
8	99559	COLLAR LOCKWASHER 1_4	1	1	1	-
9	91024	LOW PROFIL CAP SCREW M6 X 2.54 X 25mm	1	1	1	-
10	31062	COVER WASHER 1_4 x 3_4	2	2	2	-
11	90670	BUTTON HEAD CAP SCREW M6X1 X 58mm LONG, 24mm THREADED	1	1	1	-
12	99510	THIN HEX LOCKNUT 1/4-20	1	1	1	-
13	31069	FOOTREST EXTENSION LONG	1	1	1	-
14	31520	C1 HANGER LATCH + TRIGGER RIGHT SPARE PARTS KIT	-	-	-	1
15	31501	V2 FOOTREST PIVOT - ASSEMBLY	-	-	-	1

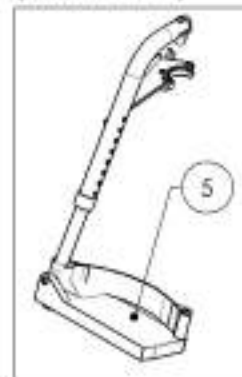
9007848
Footrest - Swing-Out, Right,
60° + Long Ext. & Footplate
(Width: 14 to 16 in)



9007849
Footrest - Swing-Out, Right,
60° + Long Ext. & Footplate
(Width: 17 to 18 in)



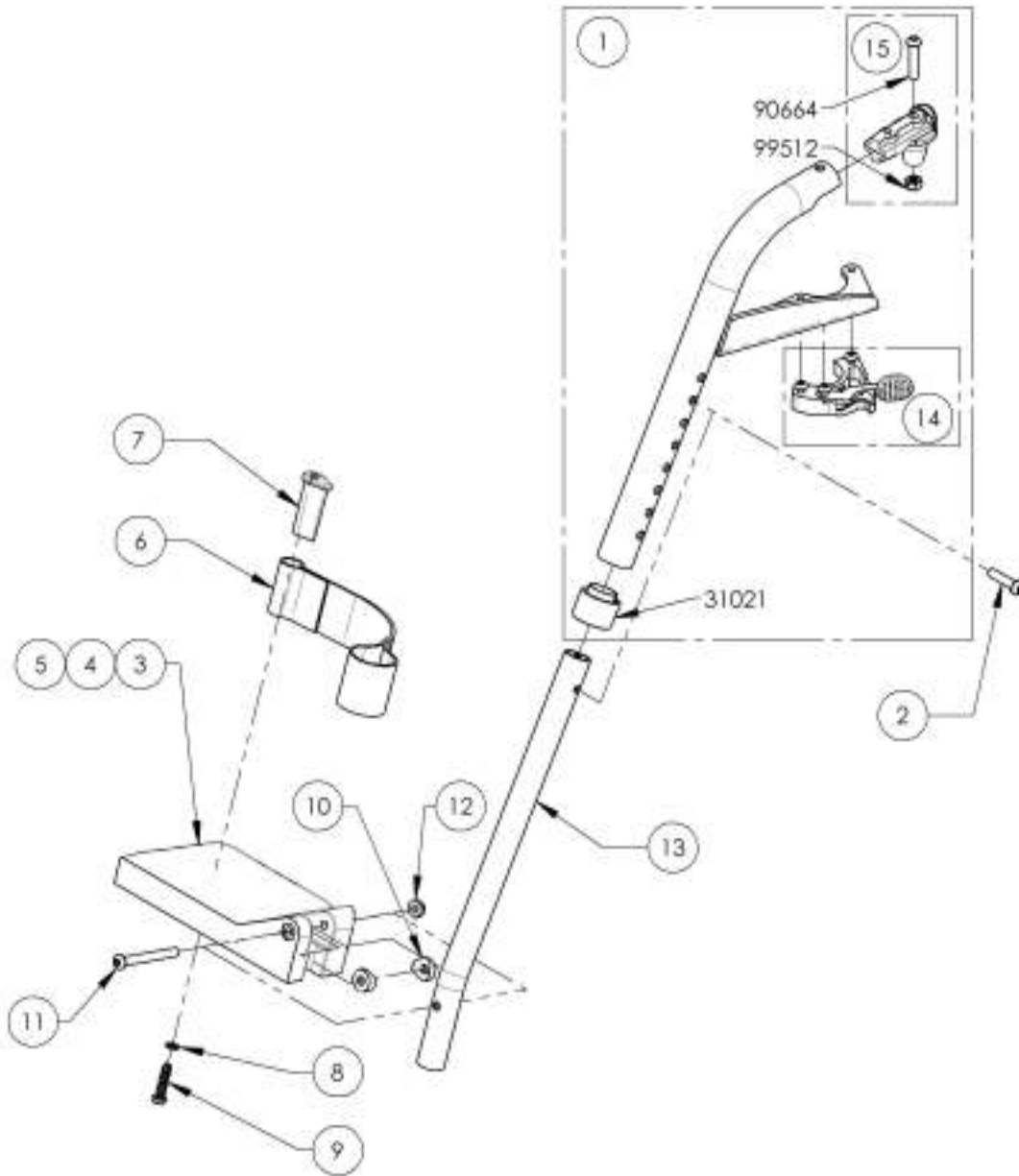
9007850 -
Footrest - Swing-Out, Right,
60° + Long Ext. & Footplate
(Width: 19 in +)



MAKE SURE TO HAVE YOUR SERIAL NUMBER NEARBY WHEN ORDERING PARTS FOR YOUR MOTION COMPOSITES WHEELCHAIR

9007851_9007853

Footrest - Swing-Out, Left, 60° + Long Ext. & Footplate



ITEM NO.	PART NO.	DESCRIPTION	9007851 /QTY.	9007852 /QTY.	9007853 /QTY.	REPLACEMENT PARTS/QTY.
1	31501	CI 60 DEG LEGREST LEFT - ASSEMBLY	1	1	1	-
2	91042	BUTTON HEAD SHOULDER MAX1 X25 + BLUE THREADLOCKER	1	1	1	-
3	31276	COMPOSITE FOOTPLATE 6 x 4 in. LEFT (WHEELCHAIR WIDTH: 14 -16 in)	1	-	-	-
4	31278	COMPOSITE FOOTPLATE 7 x 4 in. LEFT (WHEELCHAIR WIDTH: 17-18 in)	-	1	-	-
5	31280	COMPOSITE FOOTPLATE 8 x 4 in. LEFT (WHEELCHAIR WIDTH: 19 in +)	-	-	1	-
6	31045	ADJUSTABLE HEEL LOOP	1	1	1	-
7	31016	HEEL LOOP PIN (M)	1	1	1	-
8	99559	COLLAR LOCKWASHER 1_4	1	1	1	-
9	91024	LOW PROFIL CAP SCREW M6 X 2.54 X 25mm	1	1	1	-
10	31052	COVERED WASHER 1_4 x 3_4	2	2	2	-
11	90670	BUTTON HEAD CAP SCREW M6X1 X 58mm LONG, 24mm THREADED	1	1	1	-
12	99510	THIN HEX LOCKNUT 1/4-20	1	1	1	-
13	31059	FOOTREST EXTENSION LONG	1	1	1	-
14	31519	CI HANGER LATCH + TRIGGER LEFT SPARE PARTS KIT	-	-	-	1
15	31551	V2 FOOTREST PIVOT - ASSEMBLY	-	-	-	1

9007851
Footrest - Swing-Out, Left,
60° + Long Ext. & Footplate
(Width: 14 to 16 in)



9007852
Footrest - Swing-Out, Left,
60° + Long Ext. & Footplate
(Width: 17 to 18 in)



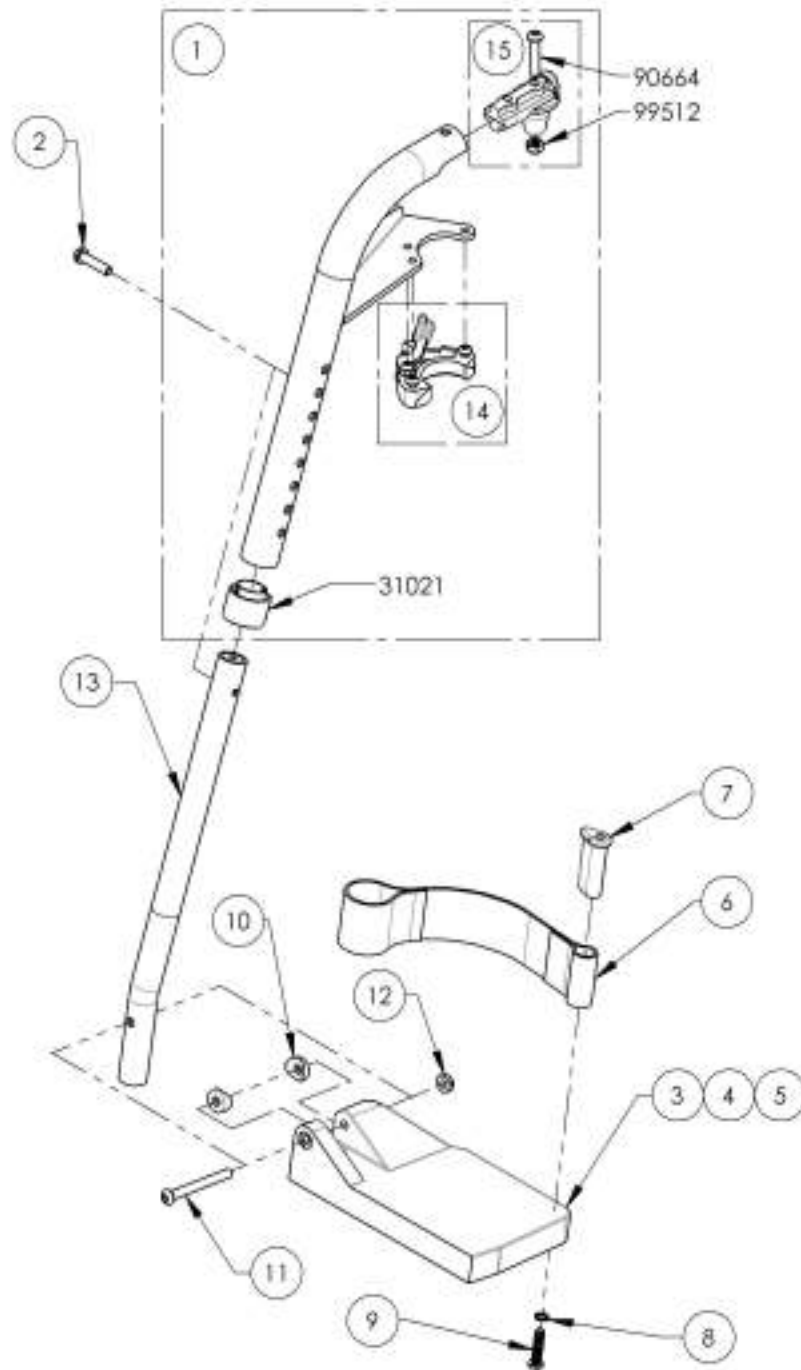
9007853
Footrest - Swing-Out, Left,
60° + Long Ext. & Footplate
(Width: 19 in +)



MAKE SURE TO HAVE YOUR SERIAL NUMBER NEARBY WHEN ORDERING PARTS FOR YOUR MOTION COMPOSITES WHEELCHAIR

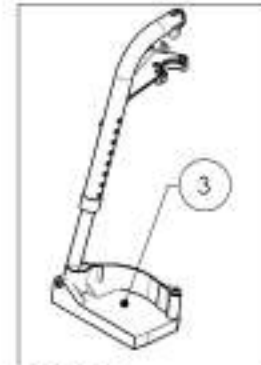
9007854_9007856

Footrest - Swing-Out, Right, 70° + Long Ext. & Footplate

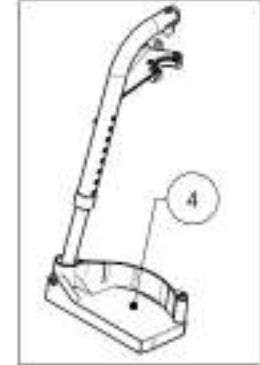


ITEM NO.	PARTNO	DESCRIPTION	9007854 /QTY.	9007855 /QTY.	9007856 /QTY.	REPLACEMENT PARTS/QTY.
1	31502	C1 70 DEG LEGREST RIGHT - ASSEMBLY	1	1	1	-
2	91042	BUTTON HEAD SHOULDER M6X1X25 + BLUE THREADLOCKER	1	1	1	-
3	31275	COMPOSITE FOOTPLATE 6 x 4 in. RIGHT (WHEELCHAIR WIDTH: 14-16 in)	1	1	-	-
4	31277	COMPOSITE FOOTPLATE 7 x 4 in. RIGHT (WHEELCHAIR WIDTH: 17-18 in)	-	1	-	-
5	31279	COMPOSITE FOOTPLATE 8 x 4 in. RIGHT (WHEELCHAIR WIDTH: 19 in +)	-	-	1	-
6	31045	ADJUSTABLE HEEL LOOP	1	1	1	-
7	31016	HEEL LOOP PIN (M)	1	1	1	-
8	99509	COLLAR LOCKWASHER 1_4	1	1	1	-
9	91024	LOW PROFIL CAP SCREW M6 X 2.54 X 25mm	1	1	1	-
10	31062	COVED WASHER 1_4 x 3_4	2	2	2	-
11	90670	BUTTON HEAD CAP SCREW M6X1 X 58mm LONG, 24mm THREADED	1	1	1	-
12	99510	TRN HEX LOCKNUT 1/4-20	1	1	1	-
13	31069	FOOTREST EXTENSION LONG	1	1	1	-
14	31520	C1 HANGER LATCH + TRIGGER RIGHT SPARE PARTS KIT	-	-	-	1
15	31501	V2 FOOTREST PIVOT - ASSEMBLY	-	-	-	1

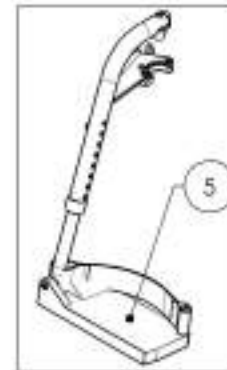
9007854
Footrest - Swing-Out, Right,
70° + Long Ext. & Footplate
(Width: 14 to 16 in)



9007855
Footrest - Swing-Out, Right,
70° + Long Ext. & Footplate
(Width: 17 to 18 in)

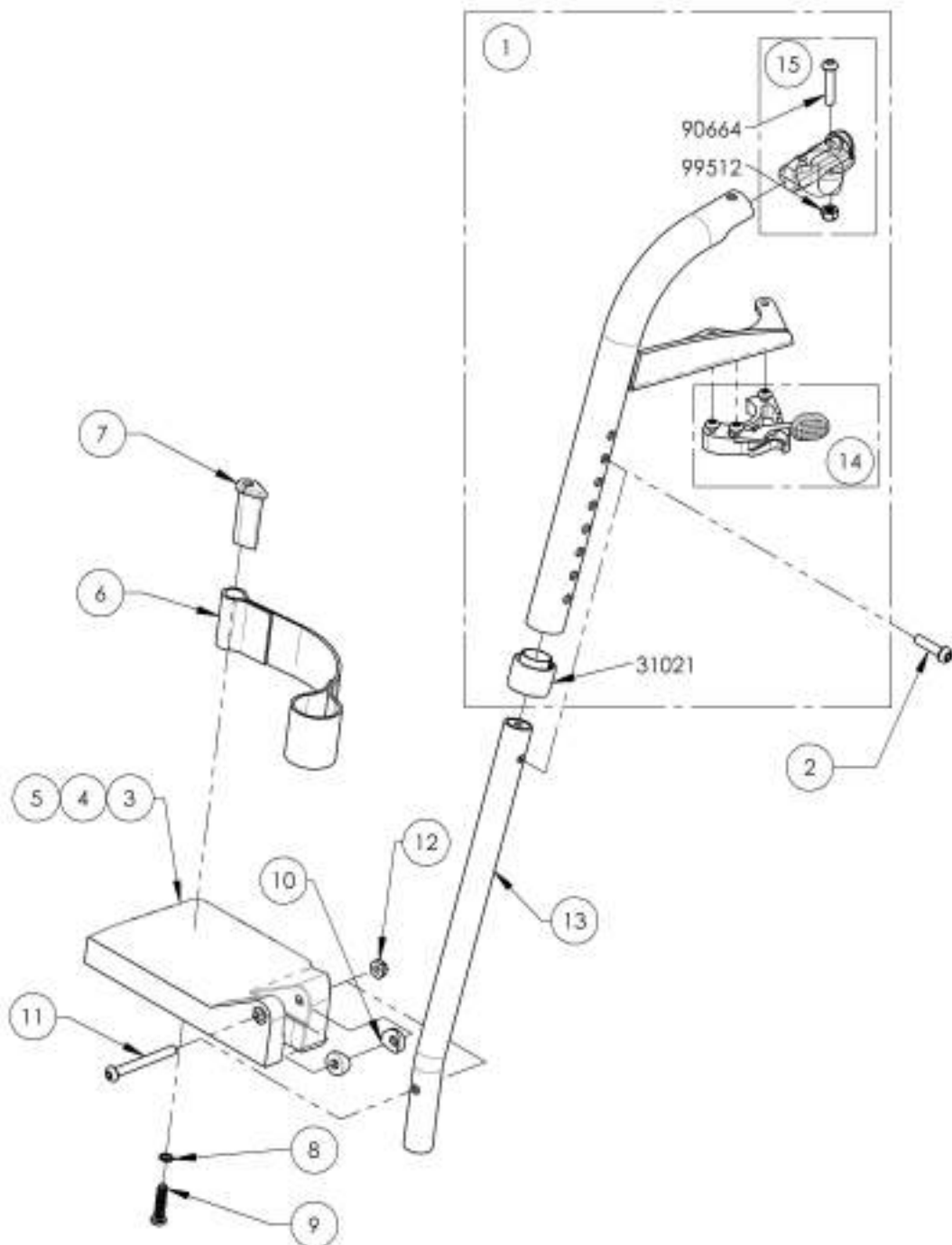


9007856
Footrest - Swing-Out, Right,
70° + Long Ext. & Footplate
(Width: 19 in +)



MAKE SURE TO HAVE YOUR SERIAL NUMBER NEARBY WHEN ORDERING PARTS FOR YOUR MOTION COMPOSITES WHEELCHAIR

9007857_9007859
Footrest - Swing-Out, Left, 70° + Long Ext. & Footplate



ITEM NO.	PART NO	DESCRIPTION	9007857 /QTY.	9007858 /QTY.	9007859 /QTY.	REPLACEMENT PARTS/QTY.
1	31503	C1 70 DEG LEGREST LEFT - ASSEMBLY	1	1	1	-
2	91042	BUTTON-HEAD SHOULDER MAX 1/25 + BLUE THREADLOCKER	1	1	1	-
3	31276	COMPOSITE FOOTPLATE 6 x 4 in, LEFT (WHEELCHAIR WIDTH: 14-16 in)	1	-	-	-
4	31278	COMPOSITE FOOTPLATE 7 x 4 in, LEFT (WHEELCHAIR WIDTH: 17-18 in)	-	1	-	-
5	31280	COMPOSITE FOOTPLATE 8 x 4 in, LEFT (WHEELCHAIR WIDTH: 19 in +)	-	-	1	-
6	31045	ADJUSTABLE HEEL LOOP	1	1	1	-
7	31016	HEEL LOOP PIN (M)	1	1	1	-
8	99509	COLLAR LOCKWASHER 1_4	1	1	1	-
9	91024	LOW PROFIL CAP SCREW M6 X 2.54 X 25mm	1	1	1	-
10	31052	COVED WASHER 1_4 x 3_4	2	2	2	-
11	90670	BUTTON-HEAD CAP SCREW M6X1 X 58mm LONG: 24mm THREADED	1	1	1	-
12	99510	THIN HEX LOCKNUT 1/4-20	1	1	1	-
13	31059	FOOTREST EXTENSION LONG	1	1	1	-
14	31519	C1 HANGER LATCH + TRIGGER LEFT SPARE PARTS KIT	-	-	-	1
15	31551	V2 FOOTREST PIVOT - ASSEMBLY	-	-	-	1

9007857
 Footrest - Swing-Out, Left,
 70° + Long Ext. & Footplate
 (Width: 14 to 16 in)



9007858
 Footrest - Swing-Out, Left,
 70° + Long Ext. & Footplate
 (Width: 17 to 18 in)



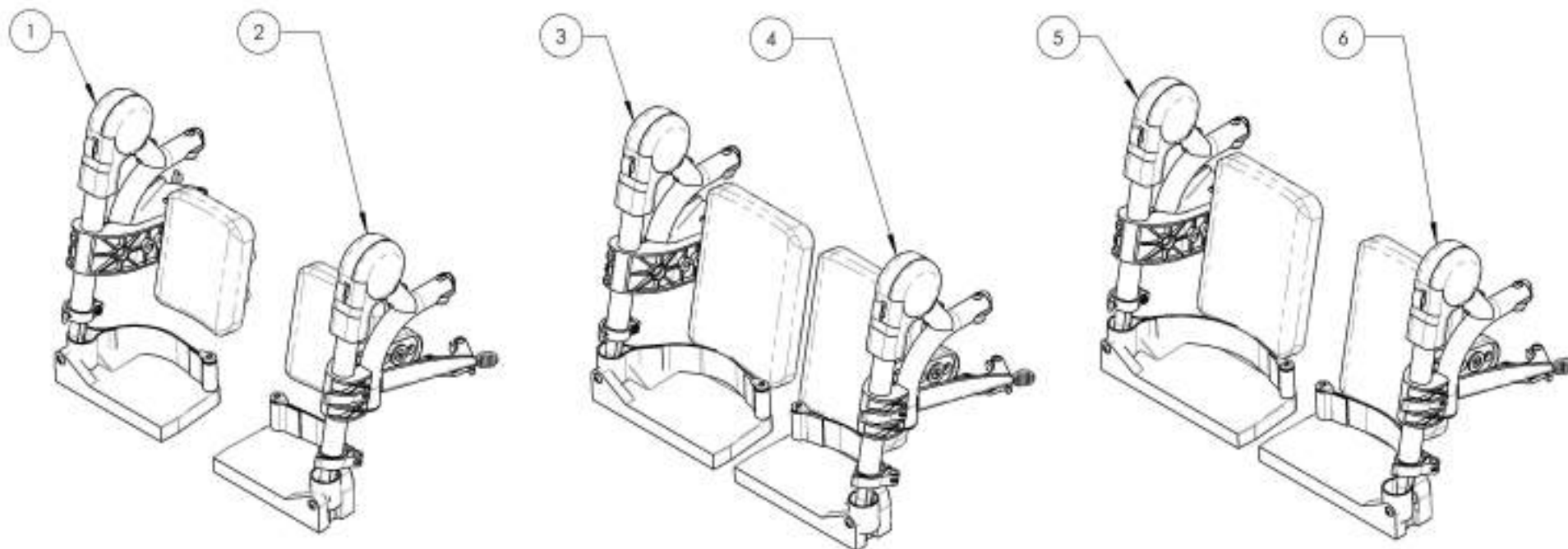
9007859
 Footrest - Swing-Out, Left,
 70° + Long Ext. & Footplate
 (Width: 19 in +)



MAKE SURE TO HAVE YOUR SERIAL NUMBER
 NEARBY WHEN ORDERING PARTS FOR YOUR
 MOTION COMPOSITES WHEELCHAIR

Quick Order Catalogue
Complete Elevating Legrest, Swing-Out + Composite Footplate

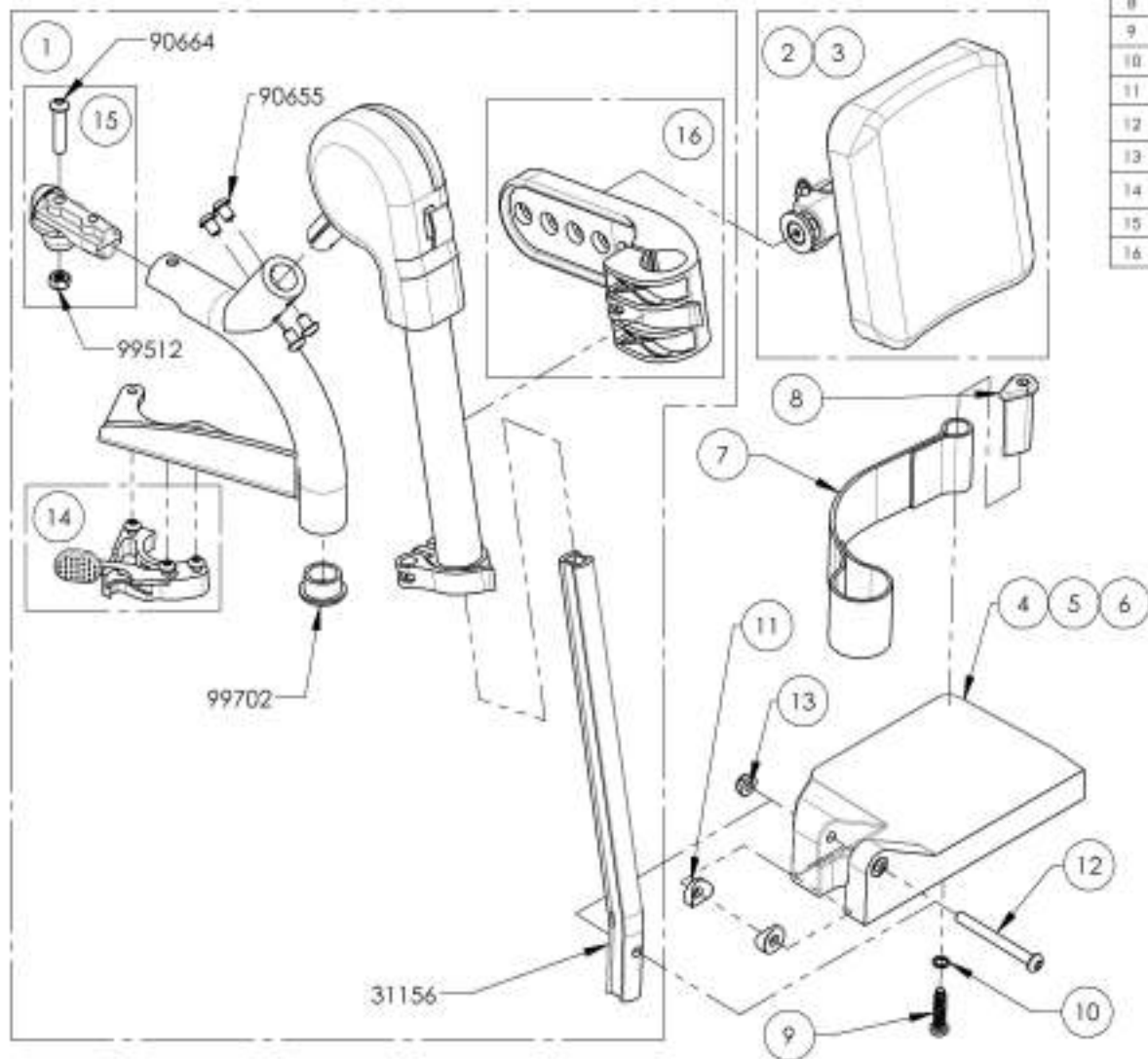
ITEM NO.	PARTNO	DESCRIPTION	QTY
1	9002476	Complete Elevating Legrest - Swing-Out, Right + Composite Footplate (Wheelchair Width: 14 to 16 in)	1
2	9002479	Complete Elevating Legrest - Swing-Out, Left + Composite Footplate (Wheelchair Width: 14 to 16 in)	1
3	9002477	Complete Elevating Legrest - Swing-Out, Right + Composite Footplate (Wheelchair Width: 17 to 18 in)	1
4	9002480	Complete Elevating Legrest - Swing-Out, Left + Composite Footplate (Wheelchair Width: 17 to 18 in)	1
5	9002478	Complete Elevating Legrest - Swing-Out, Right + Composite Footplate (Wheelchair Width: 19 in +)	1
6	9002481	Complete Elevating Legrest - Swing-Out, Left + Composite Footplate (Wheelchair Width: 19 in +)	1



MAKE SURE TO HAVE YOUR SERIAL NUMBER
 NEARBY WHEN ORDERING PARTS FOR YOUR
 MOTION COMPOSITES WHEELCHAIR

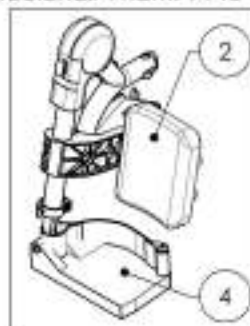
9002476_9002478

Complete Elevating Legrest - Swing-Out, Right + Composite Footplate



ITEM NO.	PART NO	DESCRIPTION	9002476 QTY.	9002477 QTY.	9002478 QTY.	REPLACEMENT PARTS/QTY.
1	31583	CI-MOVE MBL ELEVATING LEGREST RIGHT	1	1	1	-
2	31140	14-16" RIGHT ELEVATING LEGREST CALF PAD	1	-	-	-
3	31142	17-22" RIGHT ELEVATING LEGREST CALF PAD	-	1	1	-
4	31275	COMPOSITE FOOTPLATE 6 x 4 in. RIGHT (WHEELCHAIR WIDTH: 14-16 in)	1	-	-	-
5	31277	COMPOSITE FOOTPLATE 7 x 4 in. RIGHT (WHEELCHAIR WIDTH: 17-18 in)	-	1	-	-
6	31279	COMPOSITE FOOTPLATE 8 x 4 in. RIGHT (WHEELCHAIR WIDTH: 19 in +)	-	-	1	-
7	31045	ADJUSTABLE HEEL LOOP	1	1	1	-
8	31016	HEEL LOOP PIN (M)	1	1	1	-
9	91024	LOW PROFIL CAP SCREW M6 X 2.54 X 25mm	1	1	1	-
10	99559	COLLAR LOCKWASHER 1_4	1	1	1	-
11	31052	COVER WASHER 1_4 x 3_4	2	2	2	-
12	90670	BUTTON HEAD CAP SCREW M6X1.8 50mm LONG, 20mm THREADED	1	1	1	-
13	99510	THIN HEX LOCKNUT 1/4-20	1	1	1	-
14	31520	CI HANGER LATCH + TRIGGER RIGHT SPARE PARTS KIT	-	-	-	1
15	31551	V2 FOOTREST PIVOT - ASSEMBLY	-	-	-	1
16	31158	ELEVATING LEGREST CALF PAD SUPPORT	-	-	-	1

9002476
Complete Elevating Legrest - Swing-Out, Right + Composite Footplate (Wheelchair Width: 14 to 16 in)



9002477
Complete Elevating Legrest - Swing-Out, Right + Composite Footplate (Wheelchair Width: 17 to 18 in)

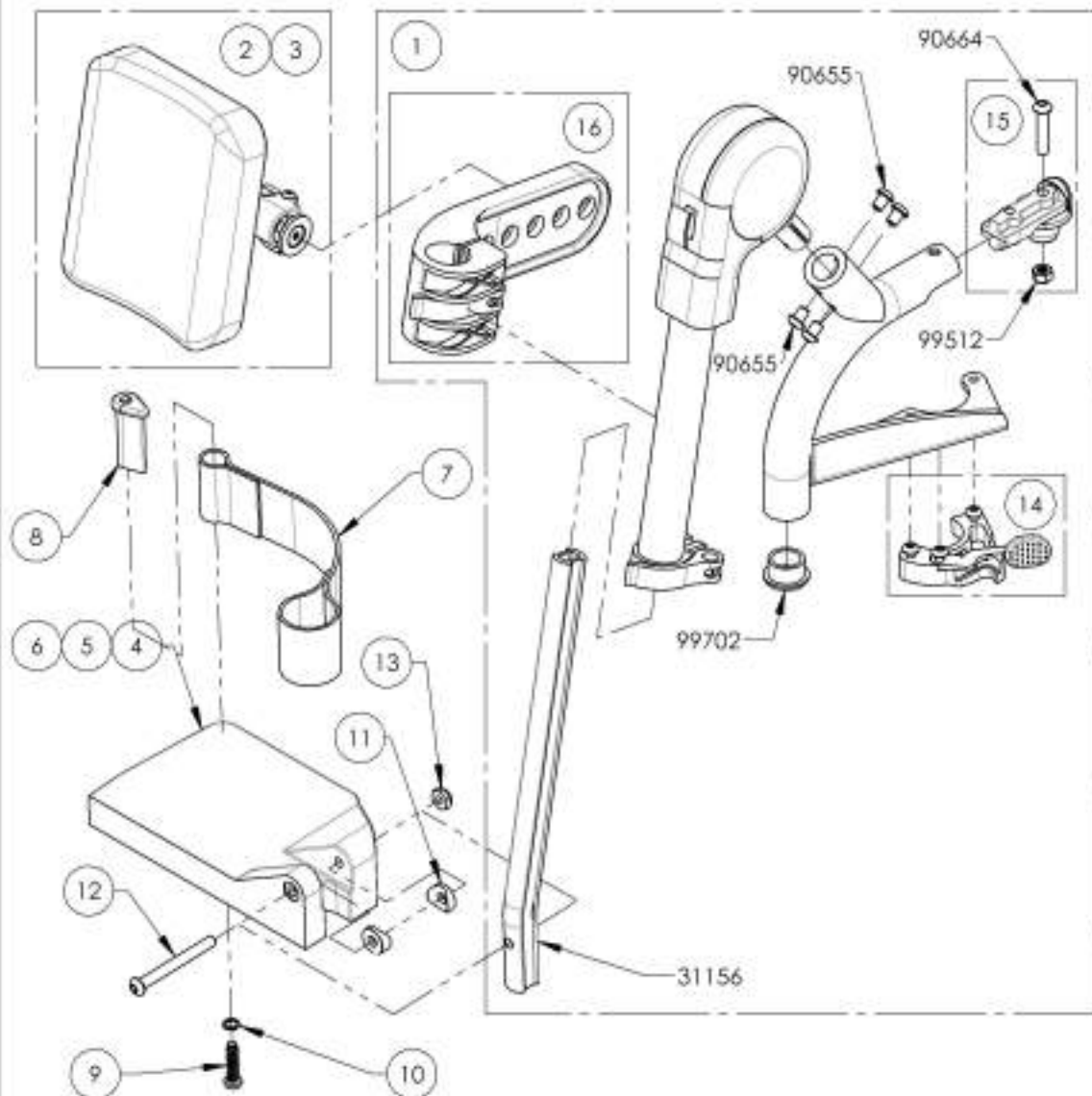


9002478
Complete Elevating Legrest - Swing-Out, Right + Composite Footplate (Wheelchair Width: 19 in +)



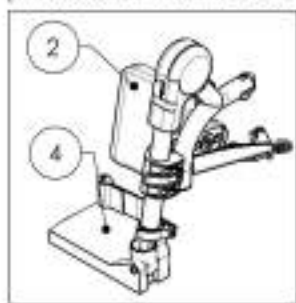
MAKE SURE TO HAVE YOUR SERIAL NUMBER NEARBY WHEN ORDERING PARTS FOR YOUR MOTION COMPOSITES WHEELCHAIR

9002479_9002481
Complete Elevating Legrest - Swing-Out, Left + Composite Footplate

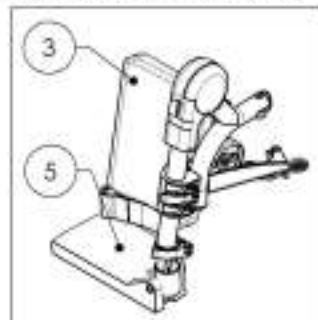


ITEM NO.	PART NO.	DESCRIPTION	9002479 /QTY.	9002480 /QTY.	9002481 /QTY.	REPLACEMENT PARTS/QTY.
1	31584	C1-MOVE ARM ELEVATING LEGREST LEFT	1	1	1	-
2	31141	14-16" LEFT ELEVATING LEGREST CALF PAD	1	-	-	-
3	31143	17-22" LEFT ELEVATING LEGREST CALF PAD	-	1	1	-
4	31276	COMPOSITE FOOTPLATE 6 x 4 in. LEFT (WHEELCHAIR WIDTH: 14-16 in)	1	-	-	-
5	31278	COMPOSITE FOOTPLATE 7 x 4 in. LEFT (WHEELCHAIR WIDTH: 17-18 in)	-	1	-	-
6	31280	COMPOSITE FOOTPLATE 8 x 4 in. LEFT (WHEELCHAIR WIDTH: 19 in +)	-	-	1	-
7	31045	ADJUSTABLE HEEL LOOP	1	1	1	-
8	31016	HEEL LOOP PIN (M)	1	1	1	-
9	91024	LOW PROFILE CAP SCREW M6 X 2.54 X 25mm	1	1	1	-
10	99559	COLLAR LOCKWASHER 1_4	1	1	1	-
11	31052	COVER WASHER 1_4 X 3_4	2	2	2	-
12	90670	BUTTON HEAD CAP SCREW M6X1 X 50mm LONG, 24mm THREADED	1	1	1	-
13	99510	THIN HEX LOCKNUT 1/4-20	1	1	1	-
14	31519	C1 HANGER LATCH + TRIGGER LEFT SPARE PARTS KIT	-	-	-	1
15	31551	VZ FOOTREST PIVOT - ASSEMBLY	-	-	-	1
16	31158	ELEVATING LEGREST CALF PAD SUPPORT	-	-	-	1

9002479
 Complete Elevating Legrest - Swing-Out, Left + Composite Footplate
 (Wheelchair Width: 14 to 16 in)



9002480
 Complete Elevating Legrest - Swing-Out, Left + Composite Footplate
 (Wheelchair Width: 17 to 18 in)



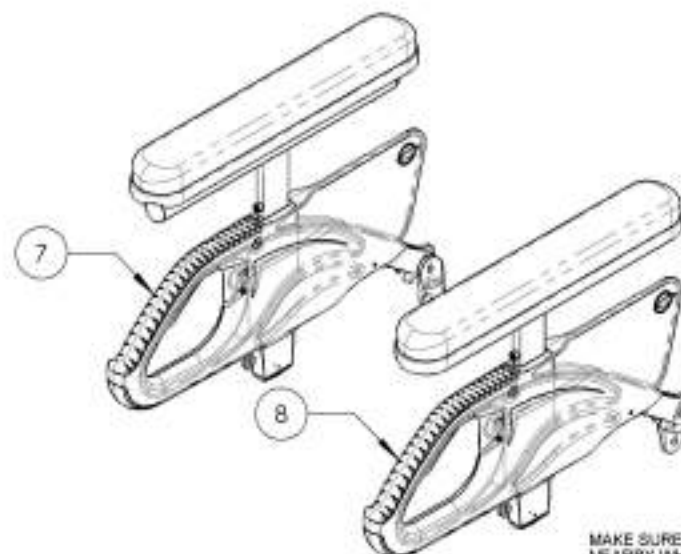
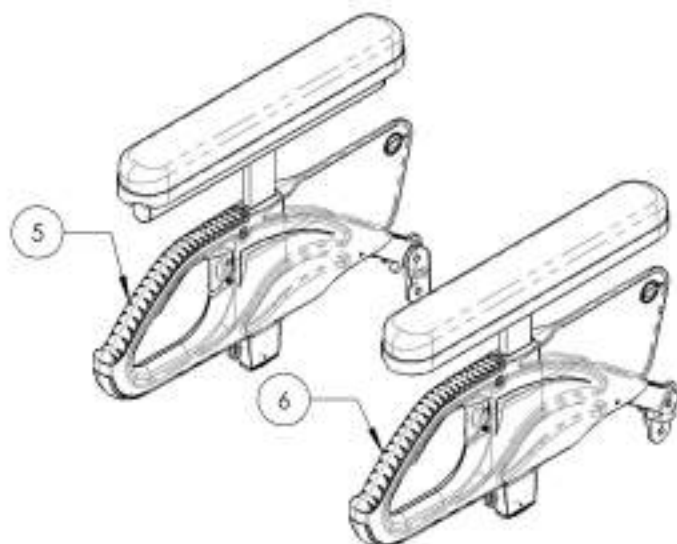
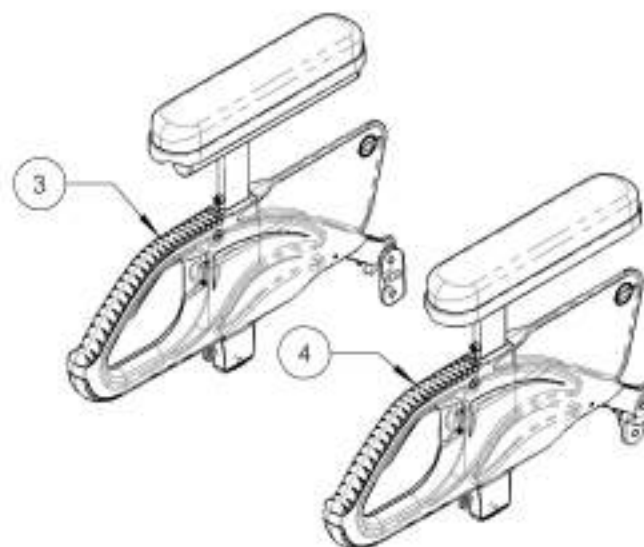
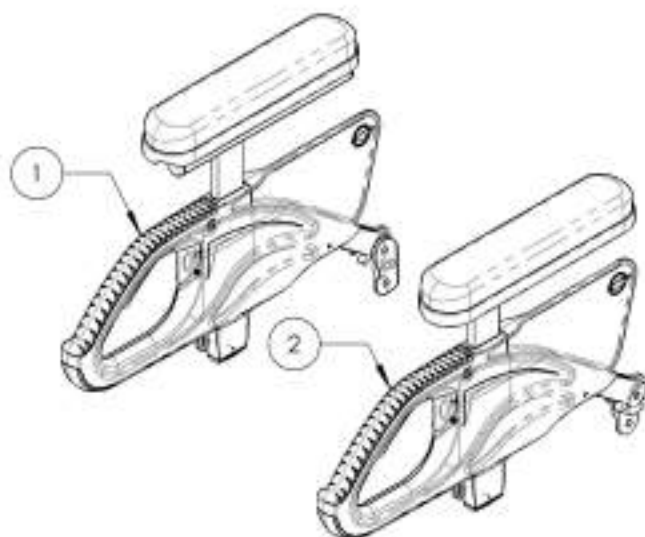
9002481
 Complete Elevating Legrest - Swing-Out, Left + Composite Footplate
 (Wheelchair Width: 19 in +)



MAKE SURE TO HAVE YOUR SERIAL NUMBER NEARBY WHEN ORDERING PARTS FOR YOUR MOTION COMPOSITES WHEELCHAIR

Quick Order Catalogue
Flip Back Type 2 Complete Armrest

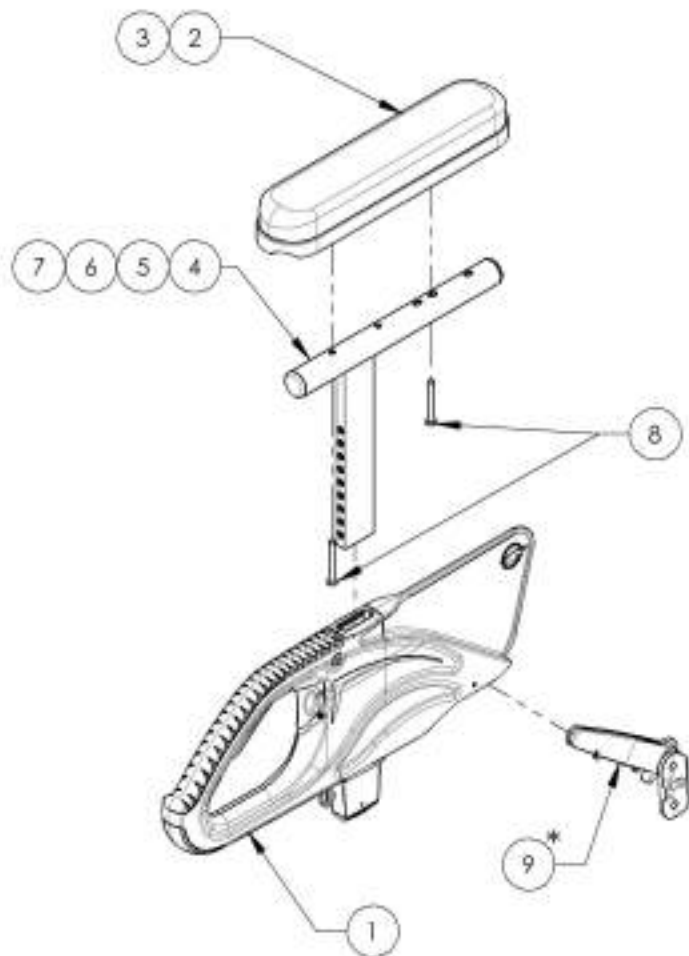
ITEM NO.	PARTNO	DESCRIPTION	QTY
1	9002888	Flip Back Type 2 Complete Armrest, 8-12 in. Desk Length, Right	1
2	9002892	Flip Back Type 2 Complete Armrest, 8-12 in. Desk Length, Left	1
3	9002889	Flip Back Type 2 Complete Armrest, 10-14 in. Desk Length, Right	1
4	9002893	Flip Back Type 2 Complete Armrest, 10-14 in. Desk Length, Left	1
5	9002890	Flip Back Type 2 Complete Armrest, 8-12 in. Full Length, Right	1
6	9002894	Flip Back Type 2 Complete Armrest, 8-12 in. Full Length, Left	1
7	9002891	Flip Back Type 2 Complete Armrest, 10-14 in. Full Length, Right	1
8	9002895	Flip Back Type 2 Complete Armrest, 10-14 in. Full Length, Left	1



MAKE SURE TO HAVE YOUR SERIAL NUMBER
 NEARBY WHEN ORDERING PARTS FOR YOUR
 MOTION COMPOSITES WHEELCHAIR

9002888 9002891
Flip Back Type 2 Complete Armrest, Desk & Full Length, Right

ITEM NO.	PART NO.	DESCRIPTION	9002888 /QTY.	9002889 /QTY.	9002890 /QTY.	9002891 /QTY.
1	33554	V2 ARMREST - MAIN BODY	1	1	1	1
2	33038	ARMREST DESK PAD	1	1	-	-
3	33039	ARMREST FULL LENGTH PAD	-	-	1	1
4	33579	V2 ARMREST STRUCTURE 8-12" FOR DESK LENGTH - ASSEMBLY	1	-	-	-
5	33580	V2 ARMREST STRUCTURE 10-14" FOR DESK LENGTH - ASSEMBLY	-	1	-	-
6	33559	V2 ARMREST STRUCTURE 8-12" FOR FULL LENGTH - ASSEMBLY	-	-	1	-
7	33560	V2 ARMREST STRUCTURE 10-14" FOR FULL LENGTH - ASSEMBLY	-	-	-	1
8	99013	SCREW PHILLIPS PAN HD #10_32 X 1_1_2+ BLUE THREADLOCKER	2	2	2	2
9	33558	V2 ARMREST REAR PIVOT - ASSEMBLY	1	1	1	1

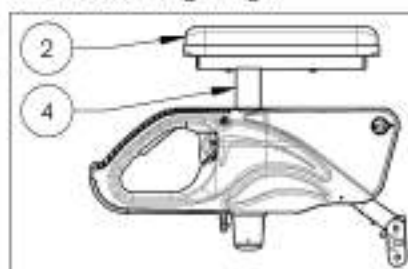


*** DOUBLE TRIGGER INSTALLATION OPTIONS**

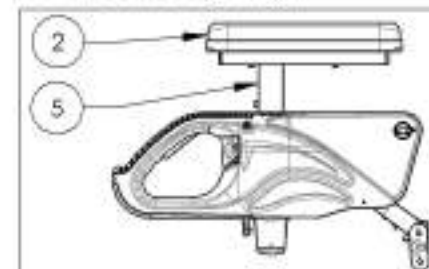
STANDARD RELEASE	LOCK POSITION
DETAIL A	DETAIL B

NOTICE THE DIRECTION OF THE DIAMOND SHAPE ON THE TRIGGER, HIS DISTANCE FROM THE SCREW INDICATES THE CONFIGURATION USED

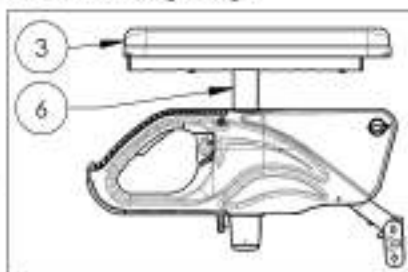
9002888
 Flip Back Type 2 Complete Armrest,
 8-12 in. Desk Length, Right



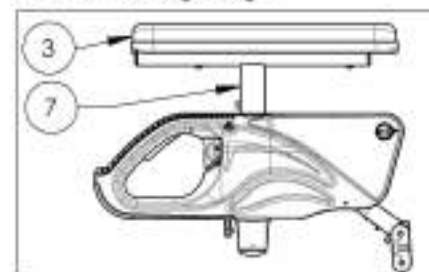
9002889
 Flip Back Type 2 Complete Armrest,
 10-14 in. Desk Length, Right



9002890
 Flip Back Type 2 Complete Armrest,
 8-12 in. Full Length, Right



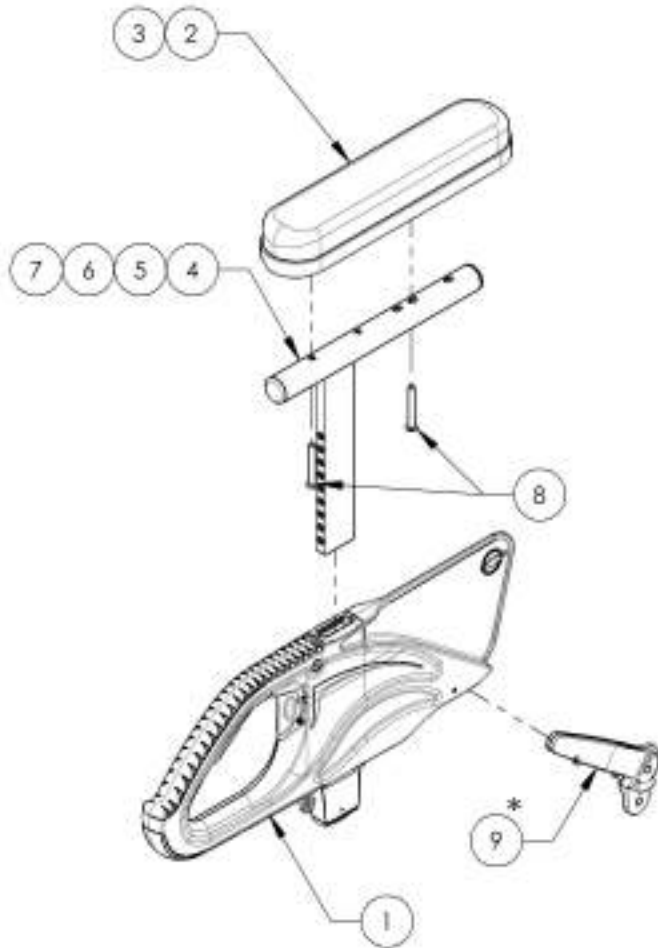
9002891
 Flip Back Type 2 Complete Armrest,
 10-14 in. Full Length, Right



MAKE SURE TO HAVE YOUR SERIAL NUMBER NEARBY WHEN ORDERING PARTS FOR YOUR MOTION COMPOSITES WHEELCHAIR

9002892_9002895
Flip Back Type 2 Complete Armrests, Desk & Full Length, Left

ITEM NO.	PARTNO	DESCRIPTION	9002892 /QTY.	9002893 /QTY.	9002894 /QTY.	9002895 /QTY.
1	33054	V2 ARMREST - MAIN BODY	1	1	1	1
2	33038	ARMREST DESK PAD	1	1	-	-
3	33039	ARMREST FULL LENGTH PAD	-	-	1	1
4	33079	V2 ARMREST STRUCTURE 8-12" FOR DESK LENGTH - ASSEMBLY	1	-	-	-
5	33080	V2 ARMREST STRUCTURE 10-14" FOR DESK LENGTH - ASSEMBLY	-	1	-	-
6	33059	V2 ARMREST STRUCTURE 8-12" FOR FULL LENGTH - ASSEMBLY	-	-	1	-
7	33060	V2 ARMREST STRUCTURE 10-14" FOR FULL LENGTH - ASSEMBLY	-	-	-	1
8	99013	SCREW PHILLIPS PAN HD #10_32 X 1_1_2 + BLUE THREADLOCKER	2	2	2	2
9	33058	V2 ARMREST REAR PINCH - ASSEMBLY	1	1	1	1

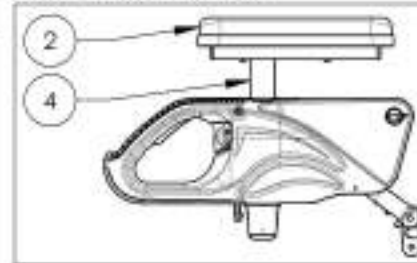


*** DOUBLE TRIGGER INSTALLATION OPTIONS**

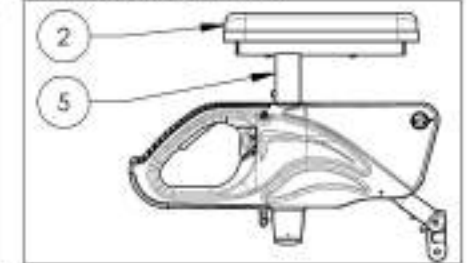
STANDARD RELEASE	LOCK POSITION
DETAIL A	DETAIL B

NOTICE THE DIRECTION OF THE DIAMOND SHAPE ON THE TRIGGER. HIS DISTANCE FROM THE SCREW INDICATES THE CONFIGURATION USED

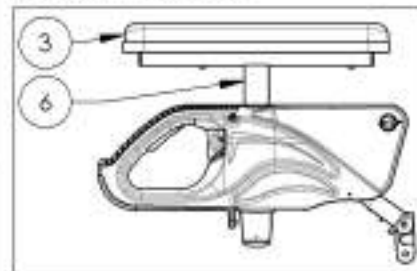
9002892
 Flip Back Type 2 Complete Armrest,
 8-12 in. Desk Length, Left



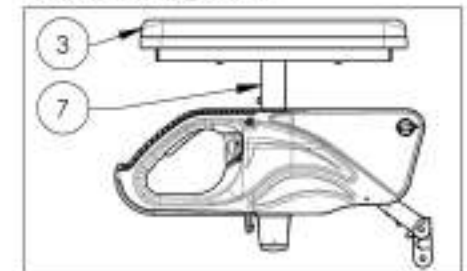
9002893
 Flip Back Type 2 Complete Armrest,
 10-14 in. Desk Length, Left



9002894
 Flip Back Type 2 Complete Armrest,
 8-12 in. Full Length, Left



9002895
 Flip Back Type 2 Complete Armrest,
 10-14 in. Full Length, Left

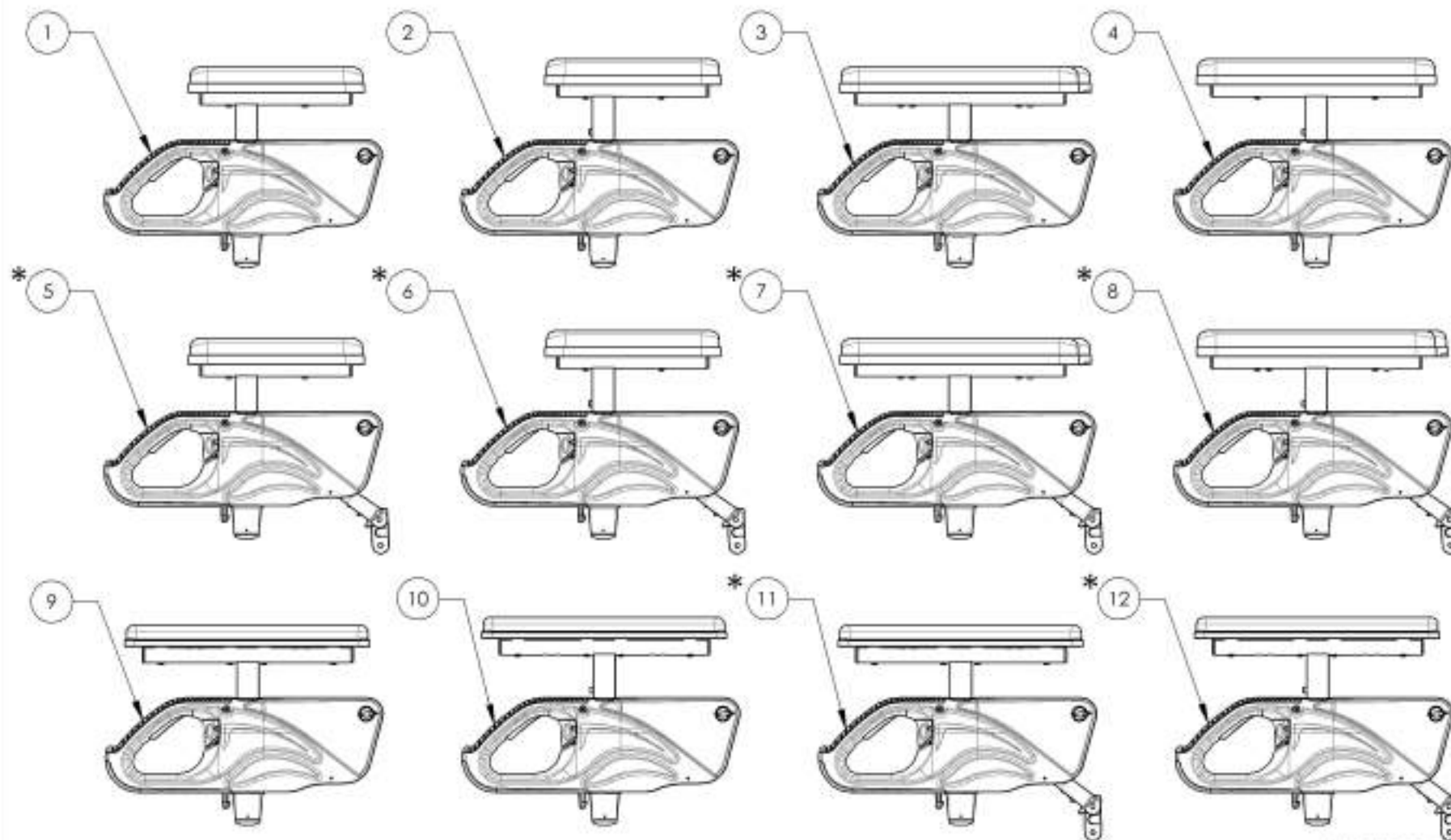


MAKE SURE TO HAVE YOUR SERIAL NUMBER NEARBY WHEN ORDERING PARTS FOR YOUR MOTION COMPOSITES WHEELCHAIR

Quick Order Catalogue
Complete Armrest Type 2 Pair Assembly

PART NO.	DESCRIPTION	QTY.
1	T Type Complete Armrest, 8-12 in. Desk Length (Pair)	1
2	T Type Complete Armrest, 10-14 in. Desk Length (Pair)	1
3	T Type Complete Armrest, 8-12 in. Full Length (Pair)	1
4	T Type Complete Armrest, 10-14 in. Full Length (Pair)	1
5*	Flip Back Type 2 Complete Armrest, 8-12 in. Desk Length (Pair)	1
6*	Flip Back Type 2 Complete Armrest, 10-14 in. Desk Length (Pair)	1
7*	Flip Back Type 2 Complete Armrest, 8-12 in. Full Length (Pair)	1
8*	Flip Back Type 2 Complete Armrest, 10-14 in. Full Length (Pair)	1
9	T Type Complete Armrest, 8-12 in. Gel Pad, Full Length (Pair)	1
10	T Type Complete Armrest, 10-14 in. Gel Pad, Full Length (Pair)	1
11*	Flip Back Type 2 Complete Armrest, 8-12 in. Gel Pad, Full Length (Pair)	1
12*	Flip Back Type 2 Complete Armrest, 10-14 in. Gel Pad, Full Length (Pair)	1

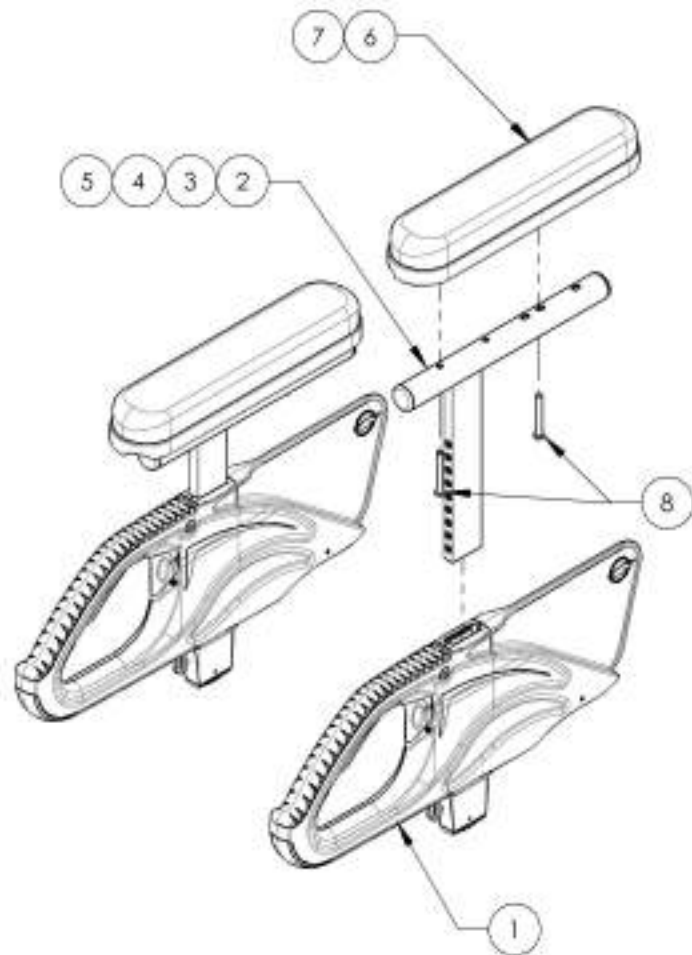
*:NOT AVAILABLE FOR KIDS & APEX WHEELCHAIRS



MAKE SURE TO HAVE YOUR SERIAL NUMBER
 NEARBY WHEN ORDERING PARTS FOR YOUR
 MOTION COMPOSITES WHEELCHAIR

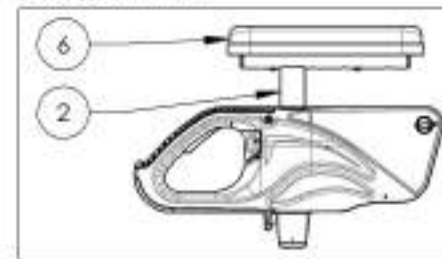
9002524 9002527

T Type Complete Armrests, Desk & Full Length (Pair)

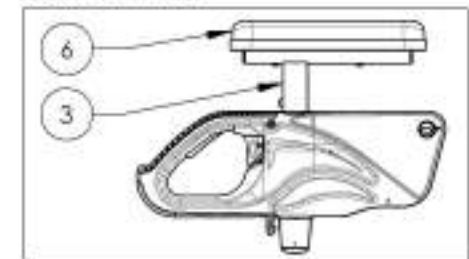


ITEM NO.	PARTNO	DESCRIPTION	9002524 /QTY.	9002525 /QTY.	9002526 /QTY.	9002527 /QTY.
1	33554	V2 ARMREST - MAIN BODY	2	2	2	2
2	33579	V2 ARMREST STRUCTURE 8-12" FOR DESK LENGTH - ASSEMBLY	2	-	-	-
3	33580	V2 ARMREST STRUCTURE 10-14" FOR DESK LENGTH - ASSEMBLY	-	2	-	-
4	33559	V2 ARMREST STRUCTURE 8-12" FOR FULL LENGTH - ASSEMBLY	-	-	2	-
5	33560	V2 ARMREST STRUCTURE 10-14" FOR FULL LENGTH - ASSEMBLY	-	-	-	2
6	33036	ARMREST DESK PAD	2	2	-	-
7	33039	ARMREST FULL LENGTH PAD	-	-	2	2
8	99013	SCREW PHILLIPS PAN HD #10_32 X 1_1_2 + BLUE THREADLOCKER	4	4	4	4

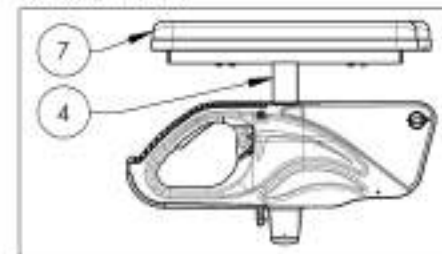
9002524
T Type Complete Armrest, 8-12 in,
Desk Length (Pair)



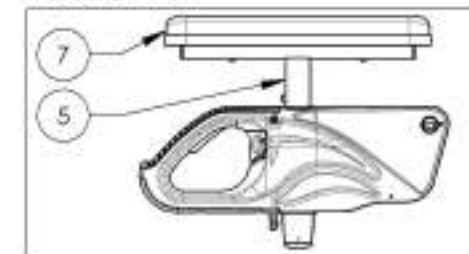
9002525
T Type Complete Armrest, 10-14 in,
Desk Length (Pair)



9002526
T Type Complete Armrest, 8-12 in,
Full Length (Pair)



9002527
T Type Complete Armrest, 10-14 in,
Full Length (Pair)

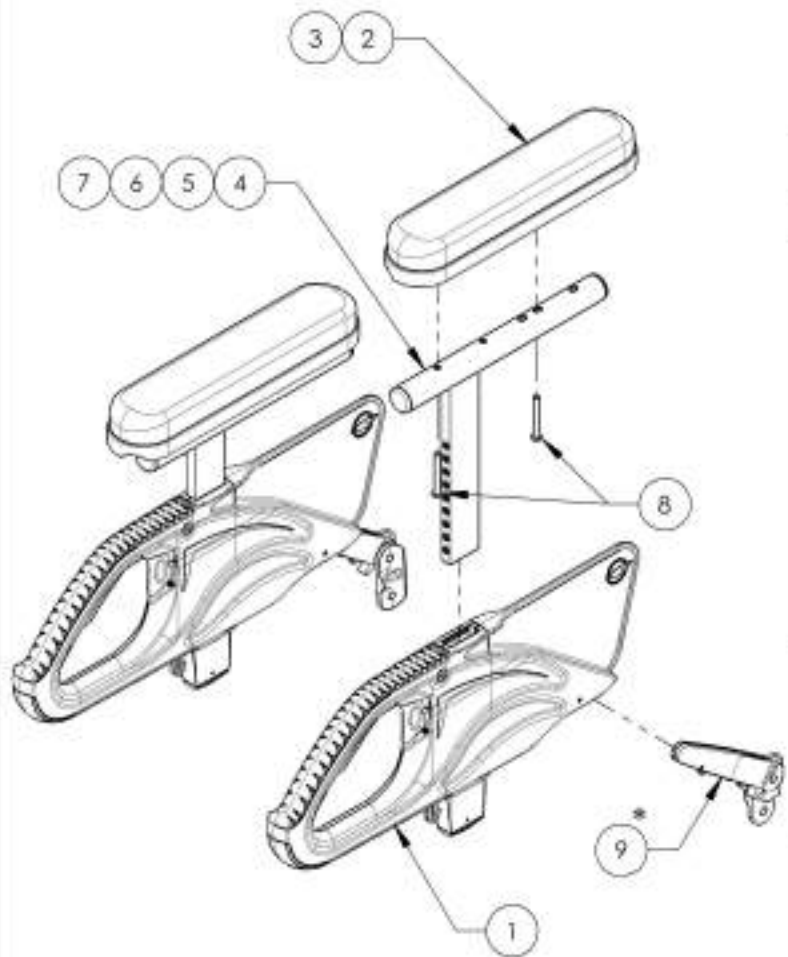


MAKE SURE TO HAVE YOUR SERIAL NUMBER NEARBY WHEN ORDERING PARTS FOR YOUR MOTION COMPOSITES WHEELCHAIR

9002528 9002531

Flip Back Type 2 Complete Armrests, Desk & Full Length (Pair)

ITEM NO.	PARTNO	DESCRIPTION	9002528 /QTY.	9002529 /QTY.	9002530 /QTY.	9002531 /QTY.
1	33054	V2 ARMREST - MAIN BODY	2	2	2	2
2	33038	ARMREST DESK PAD	2	2	-	-
3	33039	ARMREST FULL LENGTH PAD	-	-	2	2
4	33079	V2 ARMREST STRUCTURE 8-12" FOR DESK LENGTH - ASSEMBLY	2	-	-	-
5	33080	V2 ARMREST STRUCTURE 10-14" FOR DESK LENGTH - ASSEMBLY	-	2	-	-
6	33059	V2 ARMREST STRUCTURE 8-12" FOR FULL LENGTH - ASSEMBLY	-	-	2	-
7	33060	V2 ARMREST STRUCTURE 10-14" FOR FULL LENGTH - ASSEMBLY	-	-	-	2
8	99013	SCREW PHILLIPS PAN HD #10_32 X 1_1_2 + BLUE THREADLOCKER	4	4	4	4
9	33058	V2 ARMREST REAR PINOT - ASSEMBLY	2	2	2	2

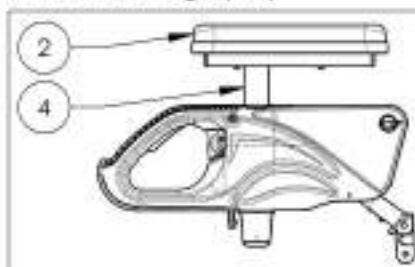


*** DOUBLE TRIGGER INSTALLATION OPTIONS**

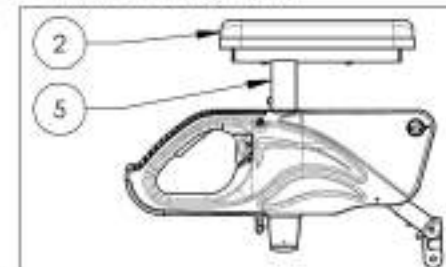
STANDARD RELEASE	LOCK POSITION
DETAIL A	DETAIL B

NOTICE THE DIRECTION OF THE DIAMOND SHAPE ON THE TRIGGER, HIS DISTANCE FROM THE SCREW INDICATES THE CONFIGURATION USED

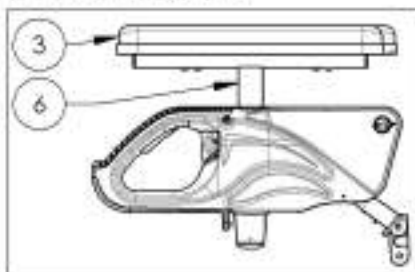
9002528
Flip Back Type 2 Complete Armrest,
8-12 in, Desk Length (Pair)



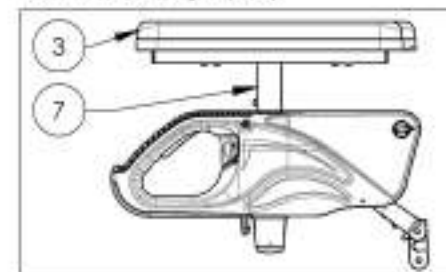
9002529
Flip Back Type 2 Complete Armrest,
10-14 in, Desk Length (Pair)



9002530
Flip Back Type 2 Complete Armrest,
8-12 in, Full Length (Pair)



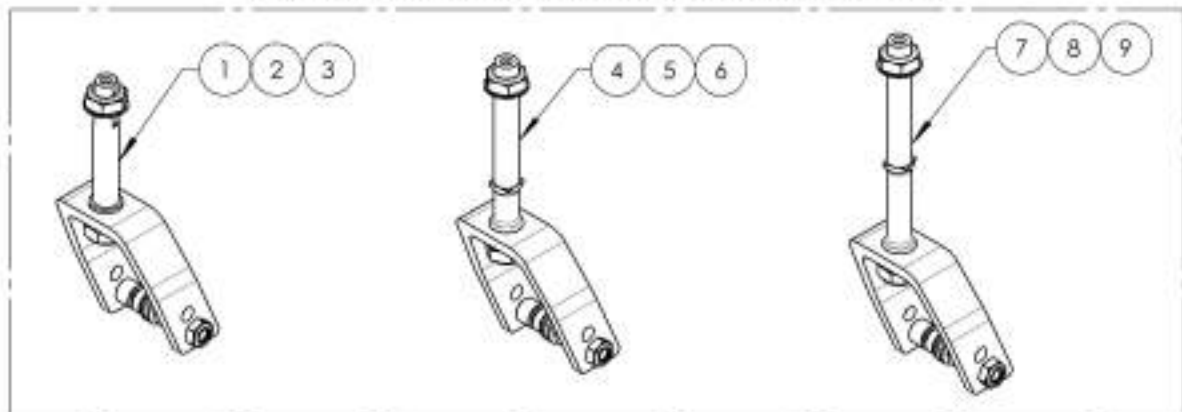
9002531
Flip Back Type 2 Complete Armrest,
10-14 in, Full Length (Pair)



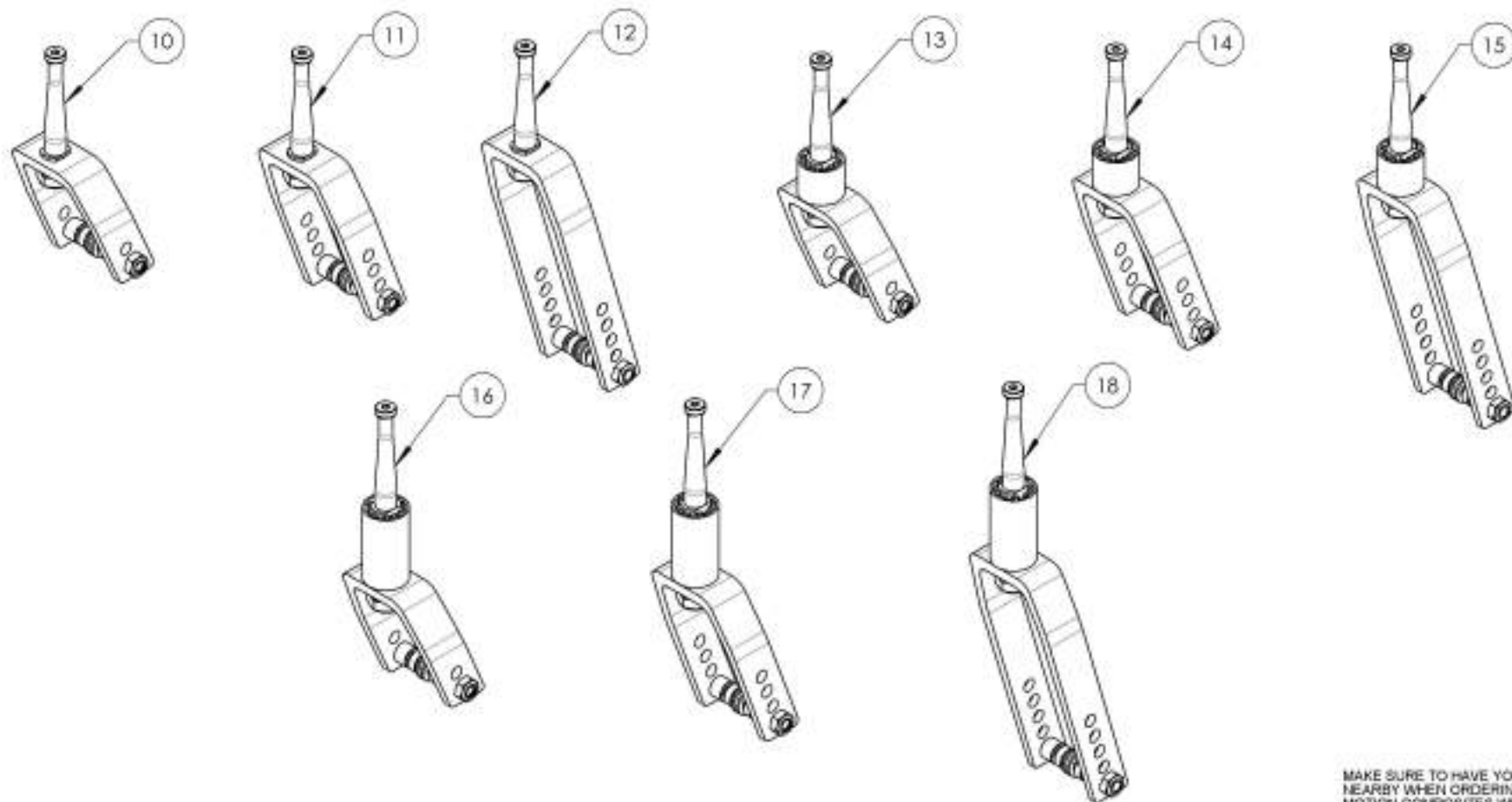
MAKE SURE TO HAVE YOUR SERIAL NUMBER NEARBY WHEN ORDERING PARTS FOR YOUR MOTION COMPOSITES WHEELCHAIR

**Quick Order Catalogue
Fork Assembly**

**OLD STEM BOLT DESIGN
(MUST BE VALIDATE WITH CUSTOMER SERVICE)**



ITEM NO.	PARTNO	DESCRIPTION	QTY.
1	9002185	Fork - 4 in, STD Stem bolt + Hardware	1
2	9002186	Fork - 5 in, STD Stem bolt + Hardware	1
3	9002187	Fork - 7 in, STD Stem bolt + Hardware	1
4	9002188	Fork - 4 in, Stem bolt +1 in + Hardware	1
5	9002189	Fork - 5 in, Stem bolt +1 in + Hardware	1
6	9002190	Fork - 7 in, Stem bolt +1 in + Hardware	1
7	9002191	Fork - 4 in, Stem bolt +2 in + Hardware	1
8	9002192	Fork - 5 in, Stem bolt +2 in + Hardware	1
9	9002193	Fork - 7 in, Stem bolt +2 in + Hardware	1
10	9002900	Fork - 4 in, STD Stem Bolt, Anti-Flutter + Hardware	1
11	9002901	Fork - 5 in, STD Stem Bolt, Anti-Flutter + Hardware	1
12	9002902	Fork - 7 in, STD Stem Bolt, Anti-Flutter + Hardware	1
13	9002903	Fork - 4 in, Stem Bolt +1 in, Anti-Flutter + Hardware	1
14	9002904	Fork - 5 in, Stem Bolt +1 in, Anti-Flutter + Hardware	1
15	9002905	Fork - 7 in, Stem Bolt +1 in, Anti-Flutter + Hardware	1
16	9002906	Fork - 4 in, Stem Bolt +2 in, Anti-Flutter + Hardware	1
17	9002907	Fork - 5 in, Stem Bolt +2 in, Anti-Flutter + Hardware	1
18	9002908	Fork - 7 in, Stem Bolt +2 in, Anti-Flutter + Hardware	1

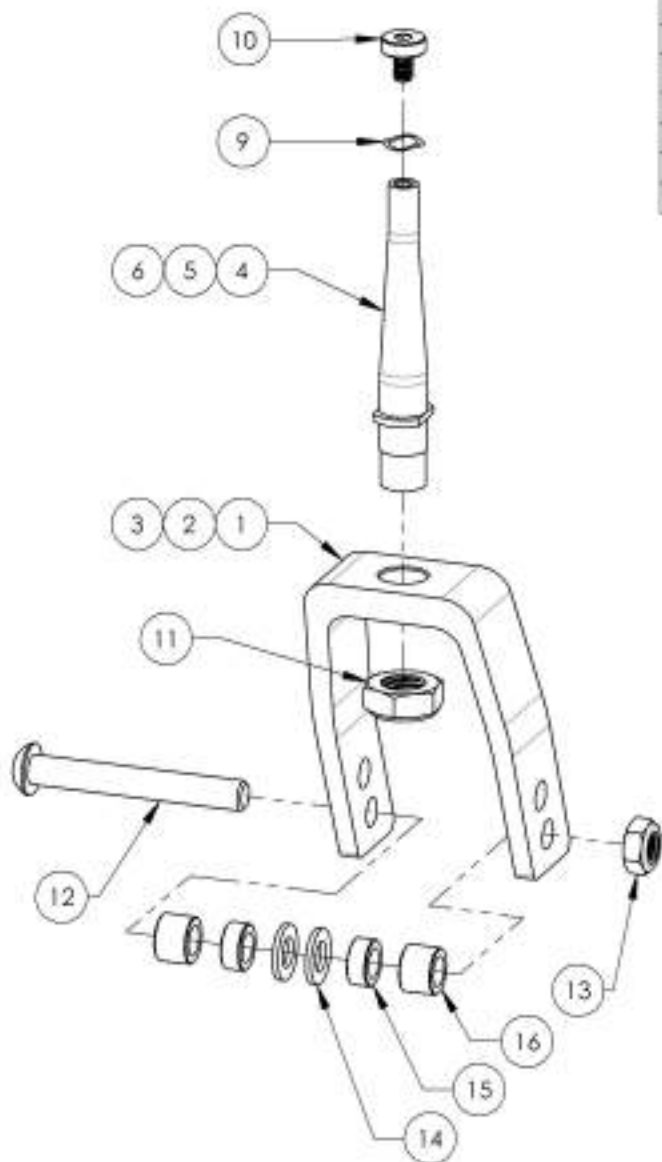


MAKE SURE TO HAVE YOUR SERIAL NUMBER NEARBY WHEN ORDERING PARTS FOR YOUR MOTION COMPOSITES WHEELCHAIR

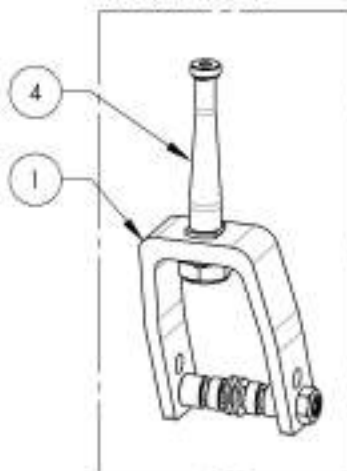
9002900_9002908
Fork - Stem Bolt, Anti-Flutter + Hardware

**APPLICABLE ON WHEELCHAIRS
 SINCE 2017/02/13**

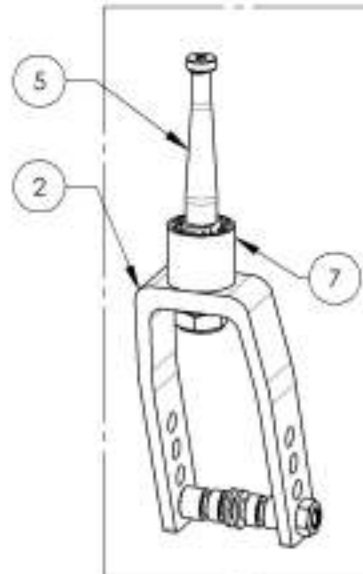
ITEM NO.	PART NO.	DESCRIPTION	9002900 /QTY.	9002901 /QTY.	9002902 /QTY.	9002903 /QTY.	9002904 /QTY.	9002905 /QTY.	9002906 /QTY.	9002907 /QTY.	9002908 /QTY.
1	22106	FORK 4x2in	1	-	-	1	-	-	1	-	-
2	22107	FORK 5x2in	-	1	-	-	1	-	-	1	-
3	22109	FORK 7x2in	-	-	1	-	-	1	-	-	1
4	22090	STEM BOLT STD	1	1	1	-	-	-	-	-	-
5	22091	STEM BOLT + 1 in	-	-	-	1	1	1	-	-	-
6	22092	STEM BOLT + 2 in	-	-	-	-	-	-	1	1	1
7	22149	STEM BOLT COVER +1 in	-	-	-	1	1	1	-	-	-
8	22150	STEM BOLT COVER +2 in	-	-	-	-	-	-	1	1	1
9	22095	TRIPLE-WAVE STEEL WASHER 0.320in ID, 0.437in OD	1	1	1	1	1	1	1	1	1
10	91038	STEM BOLT TOP SCREW	1	1	1	1	1	1	1	1	1
11	90992	M2 LOW NYLON LOCK	1	1	1	1	1	1	1	1	1
12	90685	BUTTON HEAD CAP SCREW M6X1.25 X 60mm (LONG, 28mm THREADED + BLUE THREADLOCKER - BLACK ZINC	1	1	1	1	1	1	1	1	1
13	90990	M6 LOW NYLON LOCK	1	1	1	1	1	1	1	1	1
14	99590	WASHER 5/16 - 21/64 ID X 19/32 OD X .062THK	2	2	2	2	2	2	2	2	2
15	22028	CASTER SPACER SMALL	2	2	2	2	2	2	2	2	2
16	22029	CASTER SPACER LARGE	2	2	2	2	2	2	2	2	2



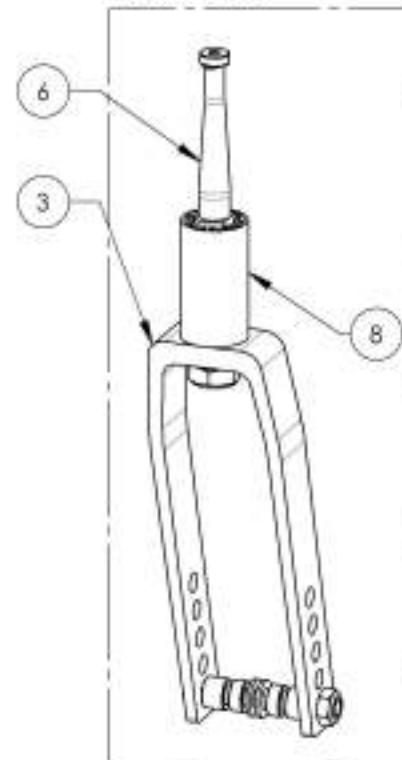
WITH 4" FORK AND
 STD STEM BOLT



WITH 5" FORK AND
 +1" STEM BOLT



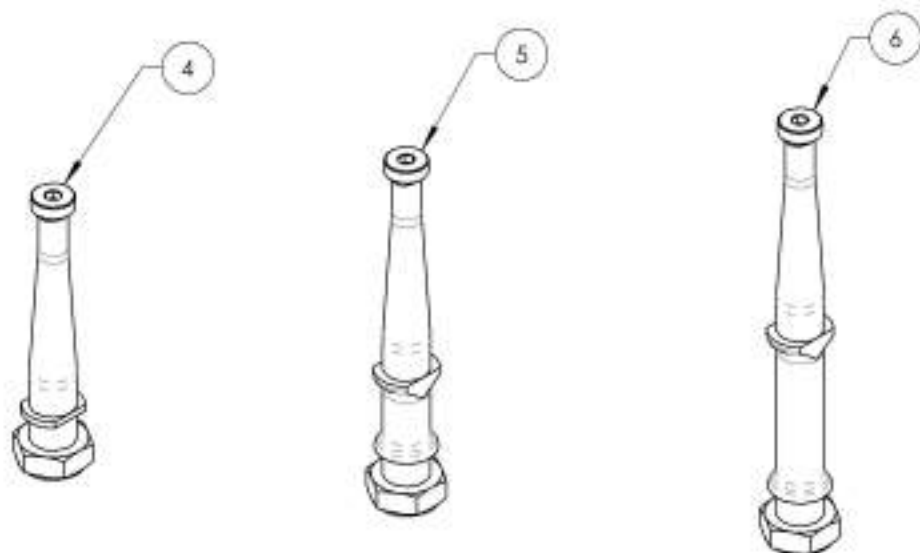
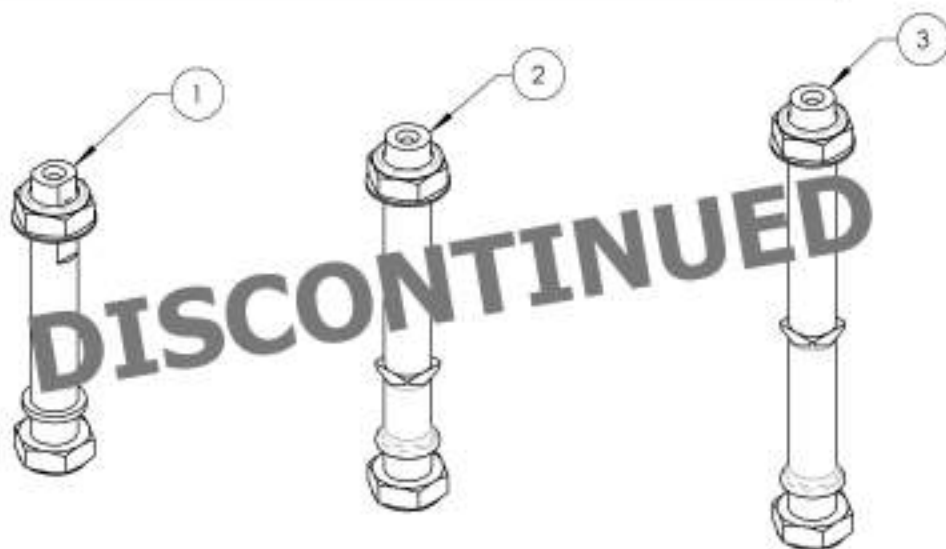
WITH 7" FORK AND
 +2" STEM BOLT



MAKE SURE TO HAVE YOUR SERIAL NUMBER
 NEARBY WHEN ORDERING PARTS FOR YOUR
 MOTION COMPOSITES WHEELCHAIR

**Quick Order Catalogue
Stem Bolt Assembly**

REPLACED BY #9002943 TO #9002945



ITEM NO.	PARTNO	DESCRIPTION	QTY.
1	9002161	Stem Bolt Standard	1
2	9002163	Stem Bolt +1 in. Anti-Flutter	1
3	9002163	Stem Bolt +2 in. + Hardware	1
4	9002943	Stem Bolt Standard, Anti-Flutter + Hardware	1
5	9002944	Stem Bolt +1 in. Anti-Flutter + Hardware	1
6	9002945	Stem Bolt +2 in. Anti-Flutter + Hardware	1

MAKE SURE TO HAVE YOUR SERIAL NUMBER
NEARBY WHEN ORDERING PARTS FOR YOUR
MOTION COMPOSITES WHEELCHAIR

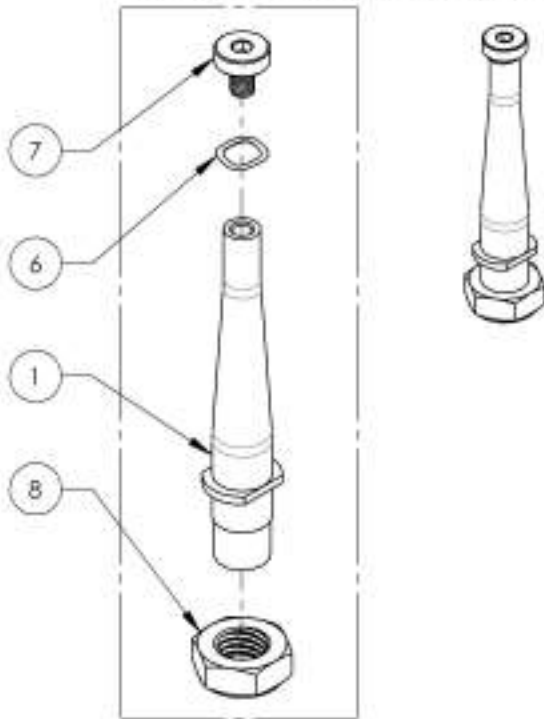
9002943_9002945
Stem Bolt, Anti-Flutter + Hardware

**APPLICABLE ON WHEELCHAIRS
 SINCE 2017/02/13**

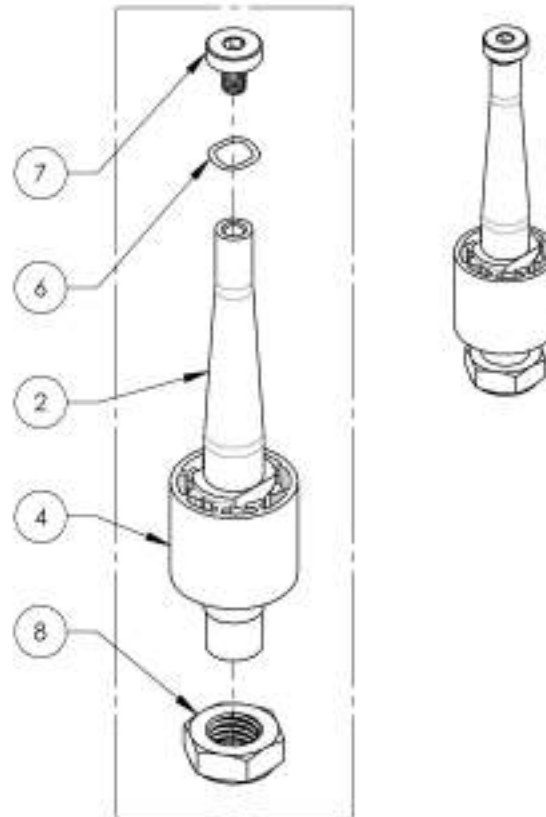
**APPLICABLE ON MOVE
 WHEELCHAIRS SINCE 2018/03/22**

ITEM NO.	PARTNO	DESCRIPTION	9002943 /QTY.	9002944 /QTY.	9002945 /QTY.
1	22090	STEM BOLT STD	1	-	-
2	22091	STEM BOLT + 1 in	-	1	-
3	22092	STEM BOLT + 2 in	-	-	1
4	22149	STEM BOLT COVER +1 in	-	1	-
5	22150	STEM BOLT COVER +2 in	-	-	1
6	22095	TRIPLE-WAVE STEEL WASHER 0.300in ID, 0.437in OD	1	1	1
7	91038	MACHINE SCREW M5X0.8 X 12mm	1	1	1
8	90992	M12 LOW NYLON LOCK	1	1	1

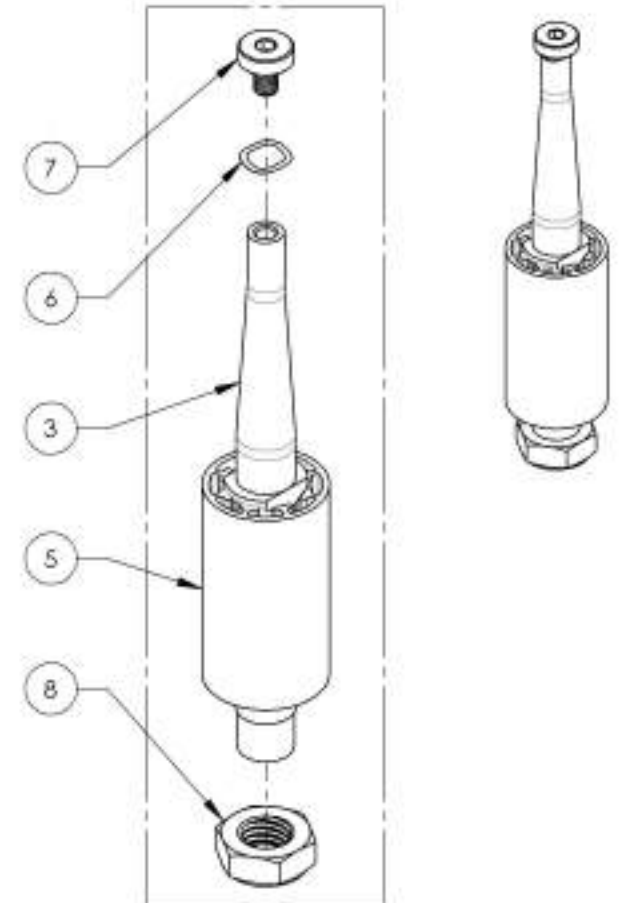
9002943
 Stem Bolt Standard, Anti-Flutter + Hardware



9002944
 Stem Bolt +1 in, Anti-Flutter + Hardware



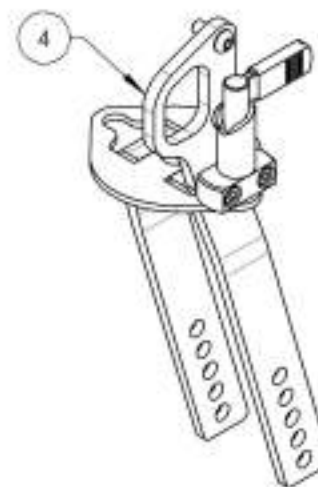
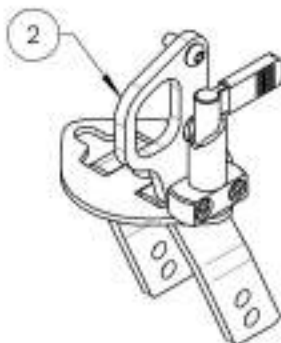
9002945
 Stem Bolt +2 in, Anti-Flutter + Hardware



MAKE SURE TO HAVE YOUR SERIAL NUMBER
 NEARBY WHEN ORDERING PARTS FOR YOUR
 MOTION COMPOSITES WHEELCHAIR

**Quick Order Catalogue
Caster Lock Pin Assembly**

ITEM NO.	PARTNO	DESCRIPTION	QTY
1	9002918	Fork - 3 in, Wheelchair Transit Tie Down, With +1 in Caster Lock Pin	1
2	9002919	Fork - 4 in, Wheelchair Transit Tie Down, With +1 in Caster Lock Pin	1
3	9002920	Fork - 5 in, Wheelchair Transit Tie Down, With +1 in Caster Lock Pin	1
4	9002921	Fork - 7 in, Wheelchair Transit Tie Down, With +1 in Caster Lock Pin	1
5	9002922	Fork - 3 in, Wheelchair Transit Tie Down, With +2 in Caster Lock Pin	1
6	9002923	Fork - 4 in, Wheelchair Transit Tie Down, With +2 in Caster Lock Pin	1
7	9002924	Fork - 5 in, Wheelchair Transit Tie Down, With +2 in Caster Lock Pin	1
8	9002925	Fork - 7 in, Wheelchair Transit Tie Down, With +2 in Caster Lock Pin	1

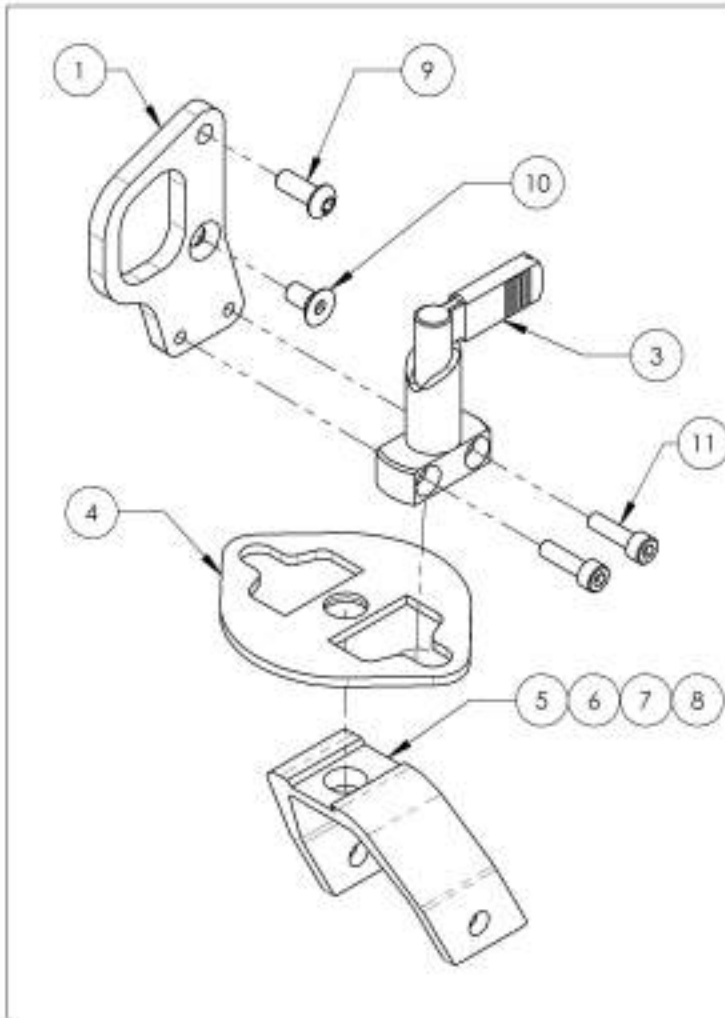
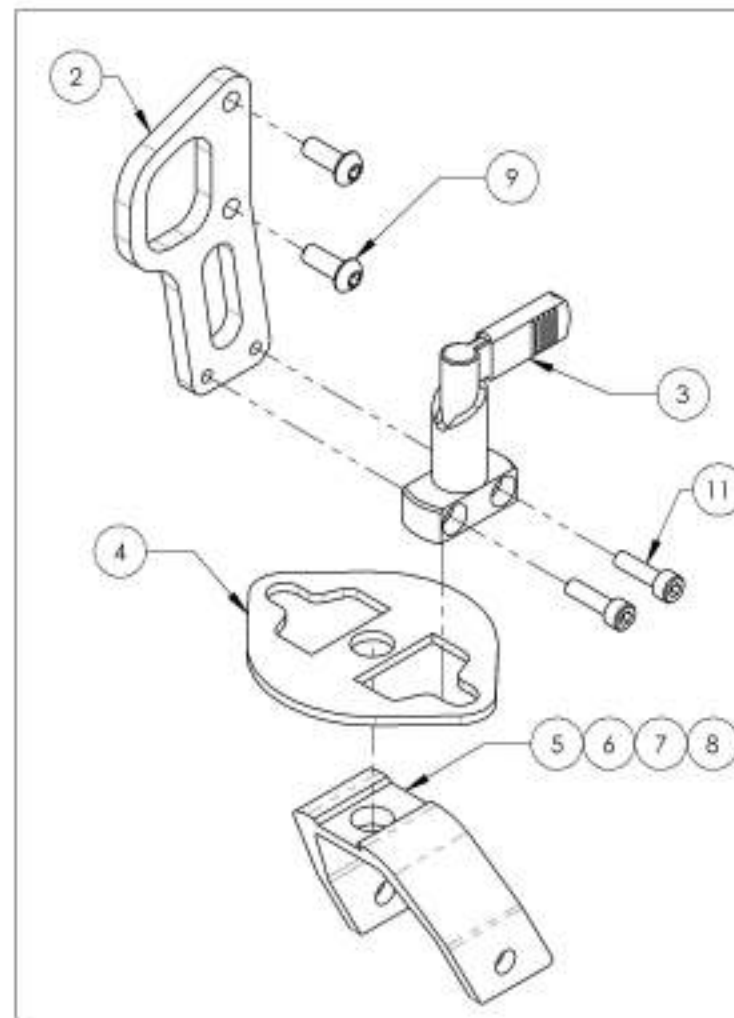


MAKE SURE TO HAVE YOUR SERIAL NUMBER
NEARBY WHEN ORDERING PARTS FOR YOUR
MOTION COMPOSITES WHEELCHAIR

9002918_9002925**Fork - Wheelchair Transit Tie Down, With Caster Lock Pin**

*** 9002918 and 9002922
are discontinued**

ITEM NO.	PARTNO	DESCRIPTION	9002918 /QTY.*	9002919 /QTY.	9002920 /QTY.	9002921 /QTY.	9002922 /QTY.*	9002923 /QTY.	9002924 /QTY.	9002925 /QTY.
1	22061	FRONT TIE DOWN +1 FOR CASTER LOCK PIN	1	1	1	1	-	-	-	-
2	22062	FRONT TIE DOWN +2 FOR CASTER LOCK PIN	-	-	-	-	1	1	1	1
3	22063	SLIDER LOCK FOR CASTER LOCK PIN	1	1	1	1	1	1	1	1
4	22060	CASTER LOCK PIN PLATE	1	1	1	1	1	1	1	1
5	22067	3"x1" W" MACHINED FORK FOR CASTER LOCK PIN	1	-	-	-	1	-	-	-
6	22064	4"x2" MACHINED FORK FOR CASTER LOCK PIN	-	1	-	-	-	1	-	-
7	22065	5"x2" MACHINED FORK FOR CASTER LOCK PIN	-	-	1	-	-	-	1	-
8	22066	7"x2" MACHINED FORK FOR CASTER LOCK PIN	-	-	-	1	-	-	-	1
9	90659	BUTTON HEAD CAP SCREW M6X1 X 16mm LONG, FULLY THREADED + BLUE THREADLOCKER - BLACK ZINC	1	1	1	1	2	2	2	2
10	90664	FLAT HEAD CAP SCREW M6X1 X 12mm LONG, FULLY THREADED + BLUE LOCTITE	1	1	1	1	-	-	-	-
11	90748	SOCKET CAP SCREW M5X0.8 X 18mm LONG, FULLY THREADED + BLUE THREADLOCKER - BLACK ZINC	2	2	2	2	2	2	2	2

Front Wheelchair Transit Tie Down With Fork & +1" Castor Lock Pin

Front Wheelchair Transit Tie Down With Fork & +2" Castor Lock Pin


MAKE SURE TO HAVE YOUR SERIAL NUMBER NEARBY WHEN ORDERING PARTS FOR YOUR MOTION COMPOSITES WHEELCHAIR